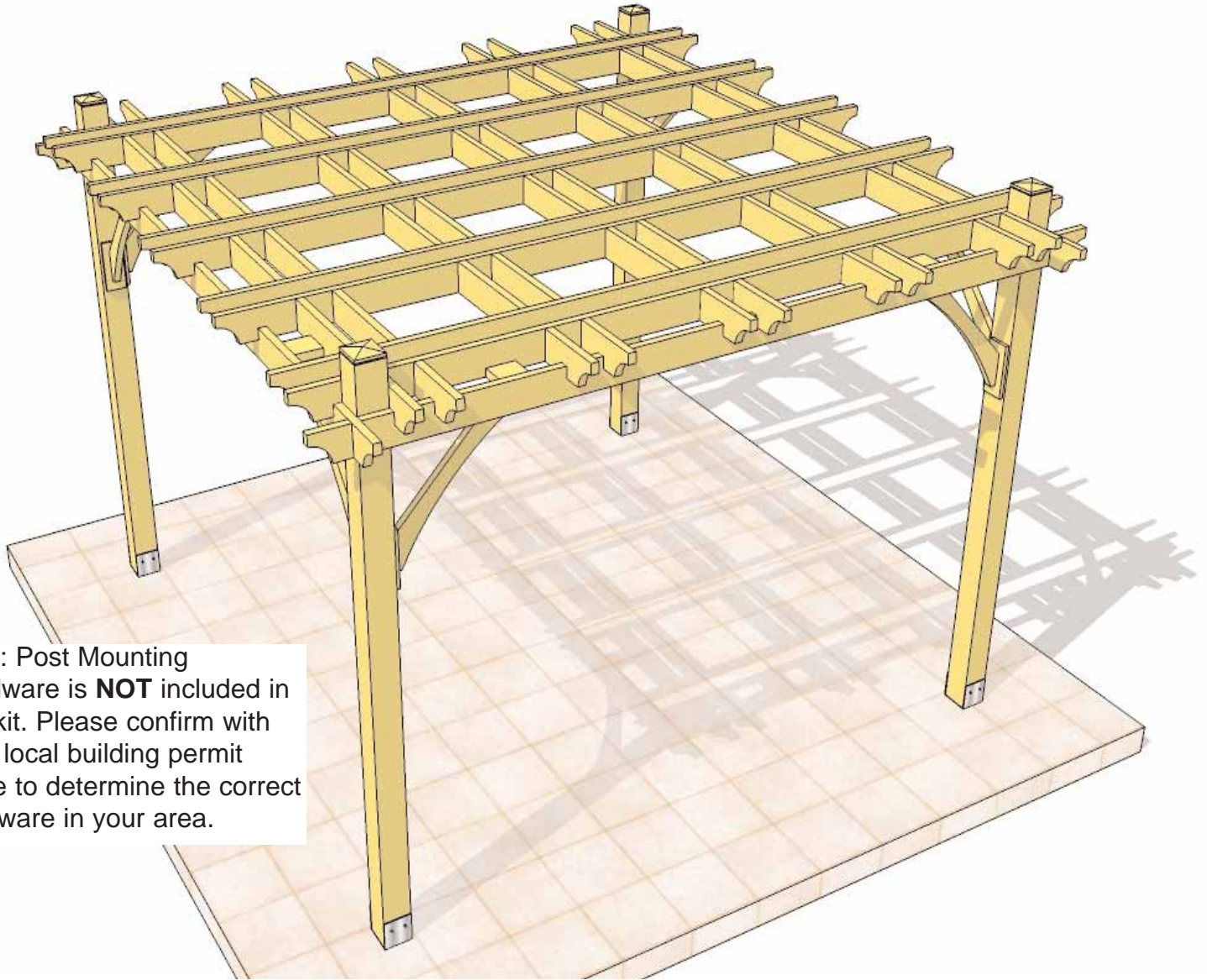


12X12 Breeze Pergola Assembly Manual

Outdoor Living Today



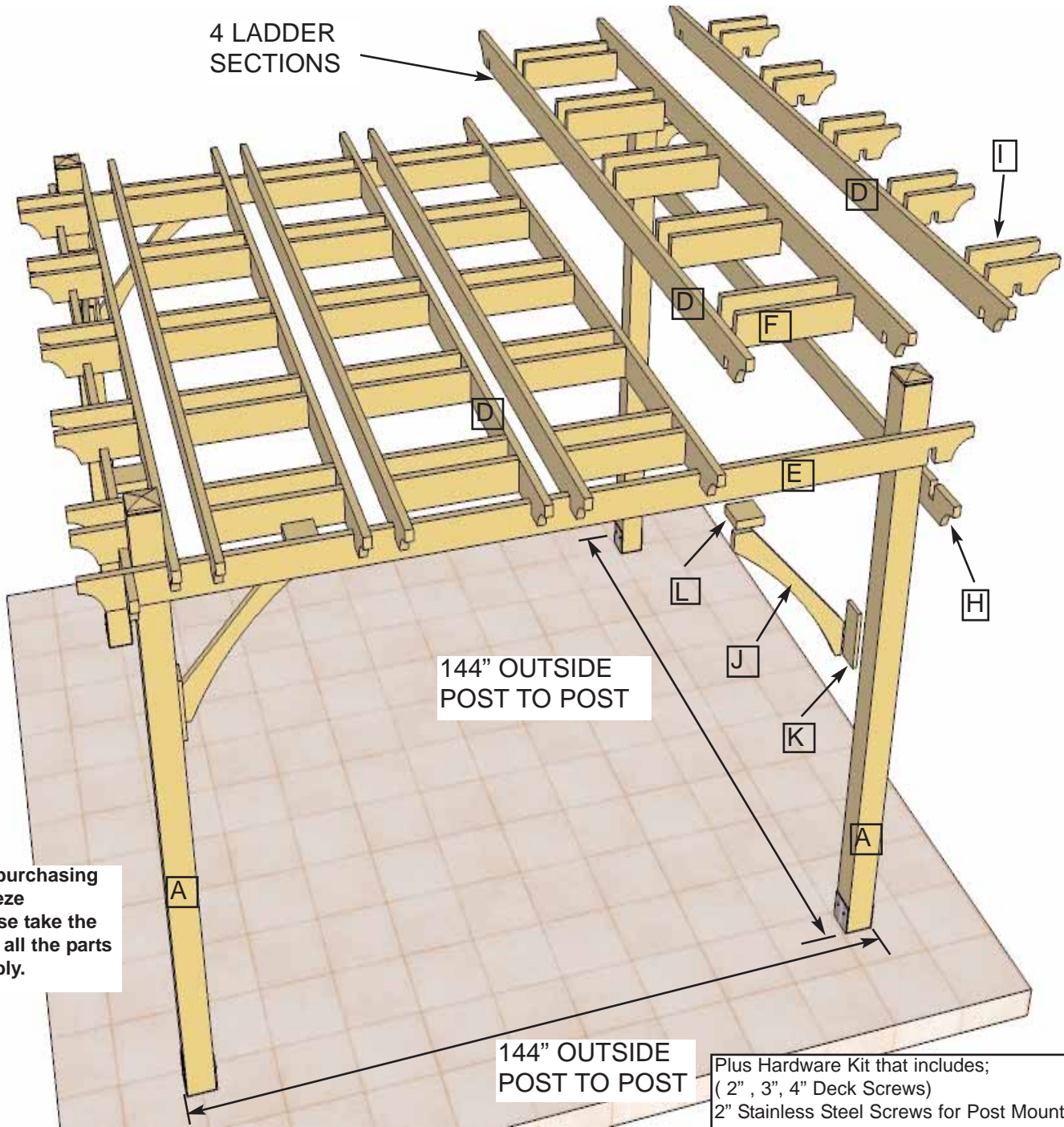
Note: Post Mounting Hardware is **NOT** included in this kit. Please confirm with your local building permit office to determine the correct hardware in your area.

Important - If you receive a broken or missing part. Please contact our Customer Service Center immediately @ 1-888-658-1658 for assistance.

Important - Western Red Cedar Lumber and Timbers will have surface splitting that occurs as lumber seasons and dries to the moisture content in your area. Splitting or “checking”, as it is referred to, can be 1/8” to 1/4” wide and can run several feet. This does not diminish the structural integrity of the material in any way.

Customers agree to hold Outdoor Living Today and any Authorized Dealers free of any liability for improper installation, maintenance and repair of any Outdoor Living Today products.

12X12 BREEZE PERGOLA



Thank you for purchasing one of our Breeze Pergola's. Please take the time to identify all the parts prior to assembly.

Parts Lists:

Part	T	Finished Size		Qty.
		W	L	
A - Posts	5 1/2"	5 1/2"	108"	4
D - Main Joist (shallow notch on bottom)	1 1/2"	5 1/2"	162"	10
E - Side Girder (deep notch on bottom)	1 1/2"	5 1/2"	162"	2
F - Blocking	1 1/2"	5 1/2"	22 5/8"	40
H - End Girder (deep notch on top)	1 1/2"	5 1/2"	162"	2
I - Stub Joist	1 1/2"	5 1/2"	14 1/2"	20
J - Corner Bracket	1 1/2"	5 1/2"	36"	8
K - Corner Bracket Post Mount	3/4"	4 1/2"	10 1/2"	8
L - Corner Bracket Joist Mount	1 1/2"	5 1/2"	5 1/2"	8
O - Post Skirting (not shown in picture)	4 Pkgs (4 skirting pcs / 4 top caps - 45 degree cut)			

Plus Hardware Kit that includes;
 (2" , 3" , 4" Deck Screws)
 2" Stainless Steel Screws for Post Mounts
 3/8" Lag screws
 3/8" flat washers
 Handfull of Finishing Nails for Post Skirting

Tools Required:
 Work Gloves,
 Screw Gun with square drive bit
 9/16" Wrench
 Level
 2 Tall Step Ladders
 Hammer

Assembly Time:
 1 Day (does not include site preparation)

Specifications:
 Outside Dimension: 144" x 144" x 108" high
 700 Lbs

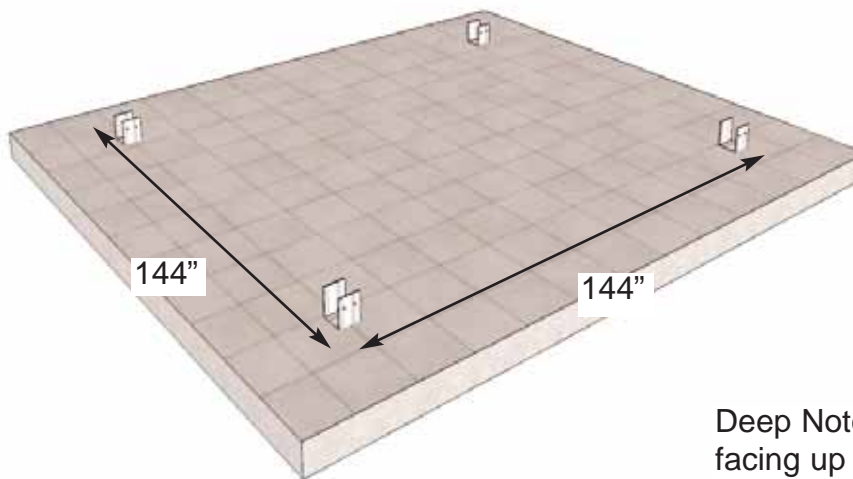
Important - Western Red Cedar Lumber and Timbers will have surface splitting that occurs as lumber seasons and dries to the moisture content in your area. Splitting or “checking”, as it is referred to, can be 1/8” to 1/4” wide and can run several feet. This does not diminish the structural integrity of the material in any way.

Laying out your Footprint

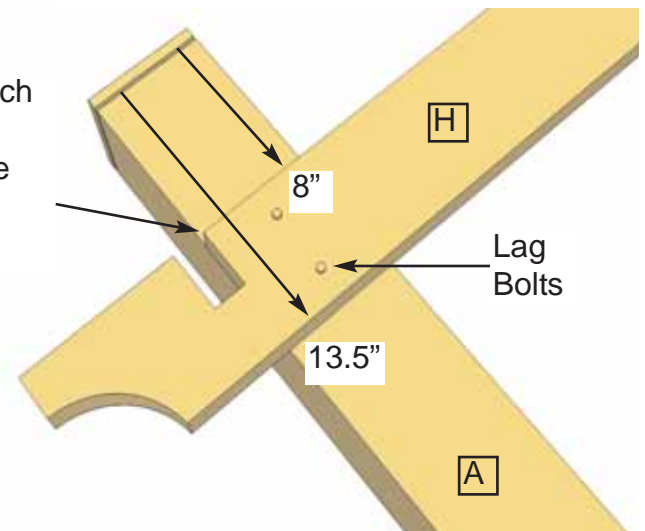
To determine the proper placement of your 5.5” x 5.5” Posts, see the exploded view on Page 2 to find the measurements and to determine their correct positions. Outside Post to Post measurements for the 12’x12’ Breeze are: 144” x 144”.

Take diagonal measurements to check your layout for square.

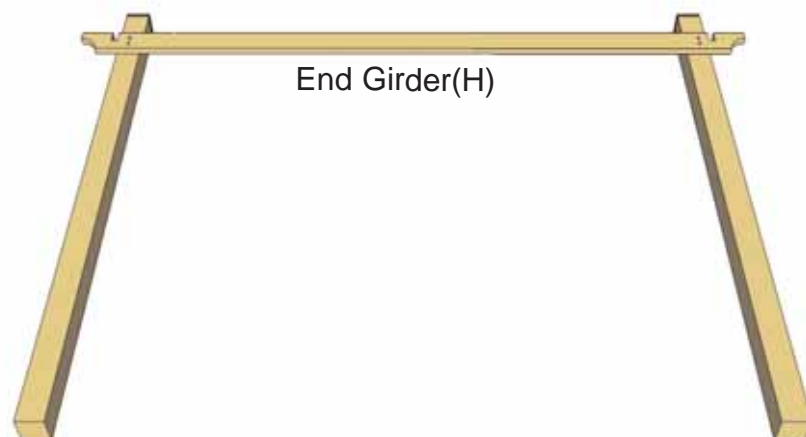
We recommend that you fix Posts to ground using Steel Post Bases or Saddle Brackets fixed on cement footing. If attaching Posts to pre-existing deck, we recommend that you purchase Post / Deck Mounting Brackets. In both cases, Post Mounting hardware can be found at most Hardware Stores.



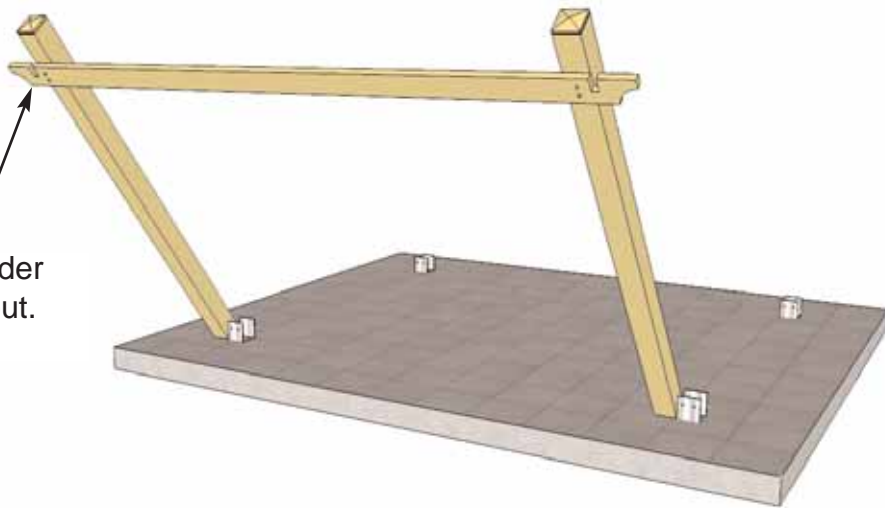
Deep Notch facing up and inside flush with post.



- 1.** On flat level ground, lag-bolt the End Girder (H) to two Posts (A) approximately 8” from top of Post. Complete 2 sets of End Girder/Post sections.



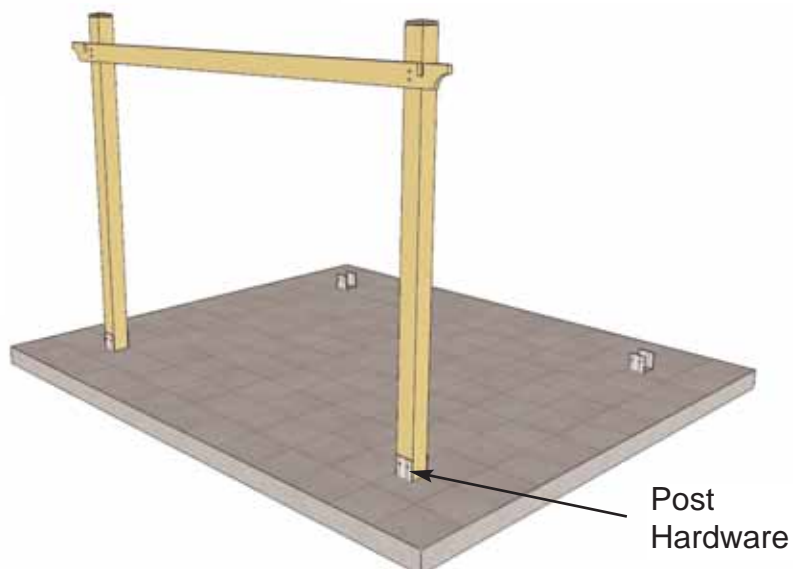
End Girder facing out.



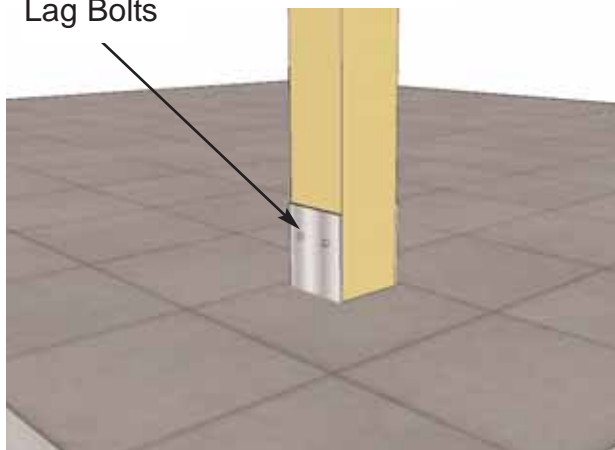
Important- You will require the assistance of 2 helpers to support the posts up to **Step 7**.

2. Lift up a completed Post/Girder section slowly and carefully. Make sure End Girder is facing outward.

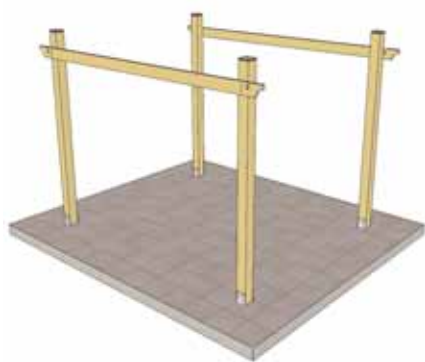
3. Position bottom of Posts in your existing Post Hardware.



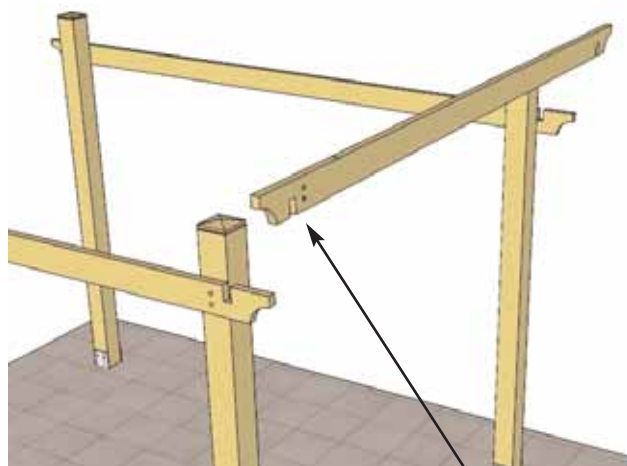
Lag Bolts



4. Secure Post to Post Hardware with appropriate hardware such as lag bolts or a sufficient number of screws.

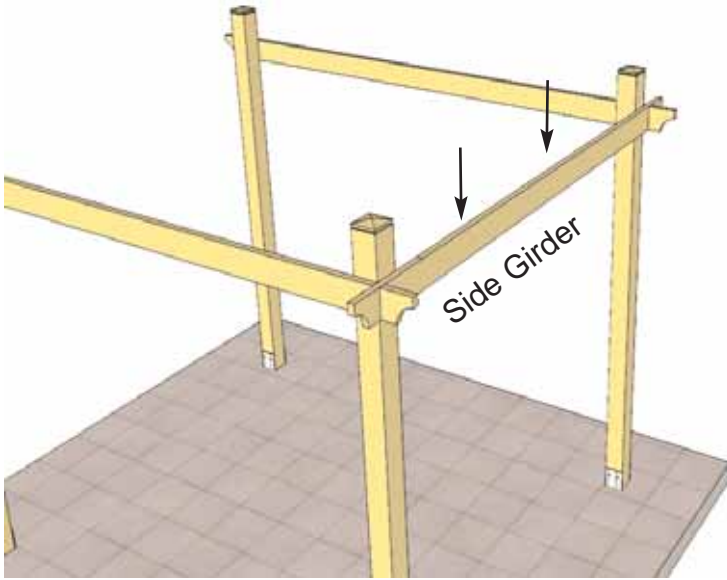


Lift, position and attach the second Post/End Girder section to post hardware.

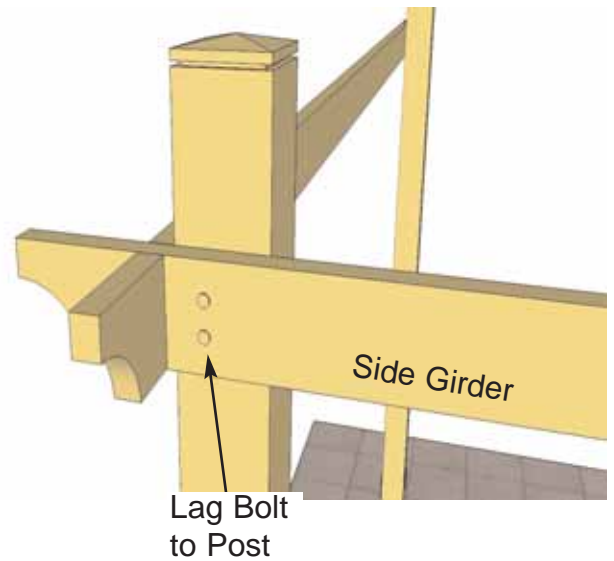


5. Locate Side Girder (E) and lift into position between both End Girders. The Side Girder has a deep notch facing down on each end.

Deep Notch facing down.

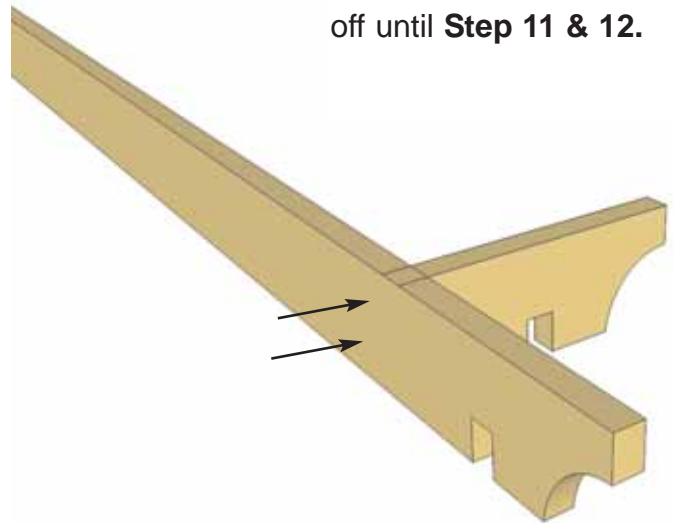
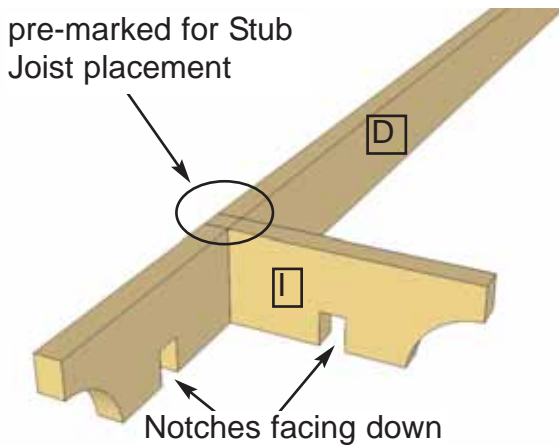
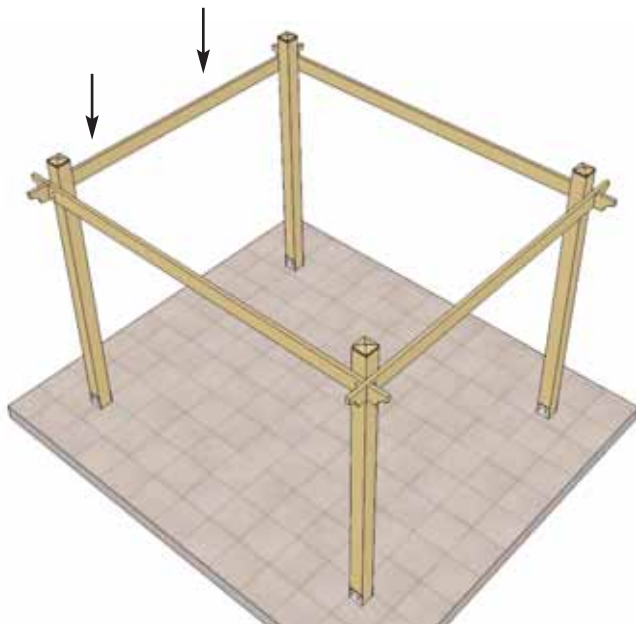


6. Carefully lower Side Girder down into notch of End Girders. Be careful not to twist the Side Girder when dropping down into place. Lag bolt (2) the Side Girder to Post.



7. Lift, position and Lag bolt the second Side Girder to Posts.

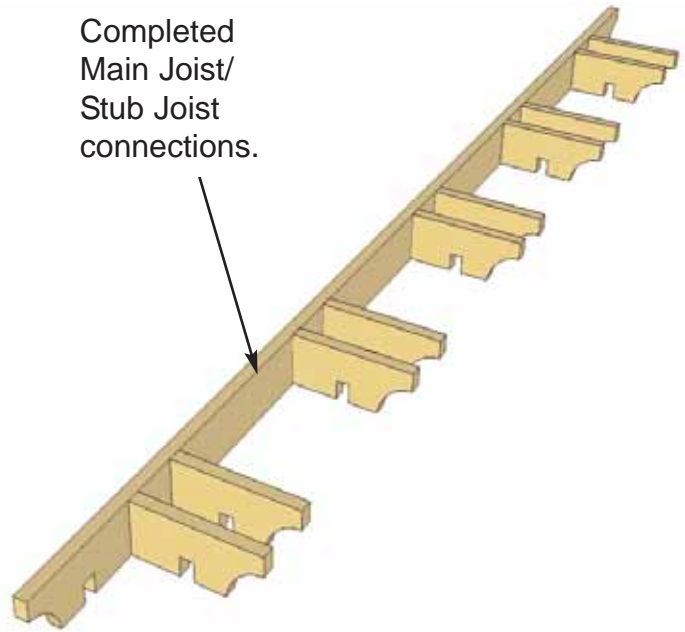
Expert Advice:
Leave 1 end Stub Joist connection off until **Step 11 & 12.**



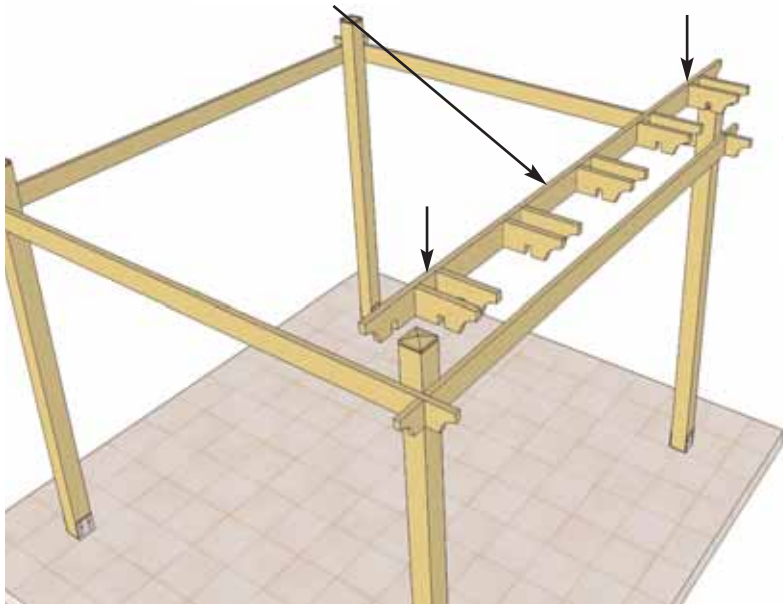
8. On level ground, position 1 Main Joist (D) and 10 Stub Joists (I). Main Joists are pre-marked for Stub Joist and Blocking position. With Stub Joists positioned correctly on Joist, attach each Stub Joist with 2 - 3" screws. Stub Joists should be flush with top and bottom of Main Joist with all notches facing down.

9. There are 2 Main Joist/ Stub Joist assemblies, complete both now.

Completed Main Joist/ Stub Joist connections.

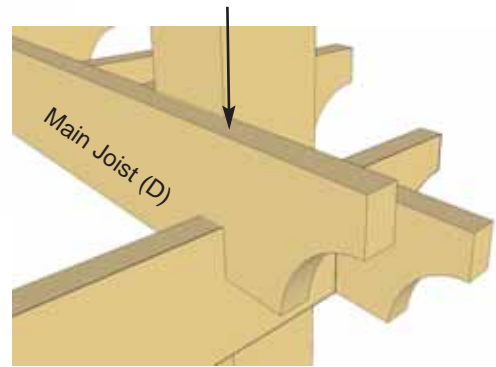


Completed Main Joist/ Stub Joist connections.

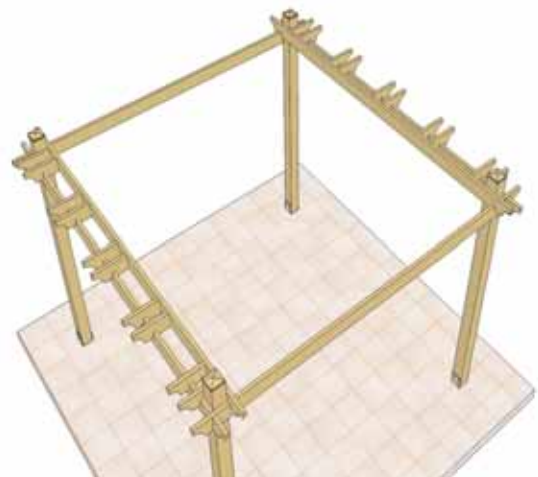
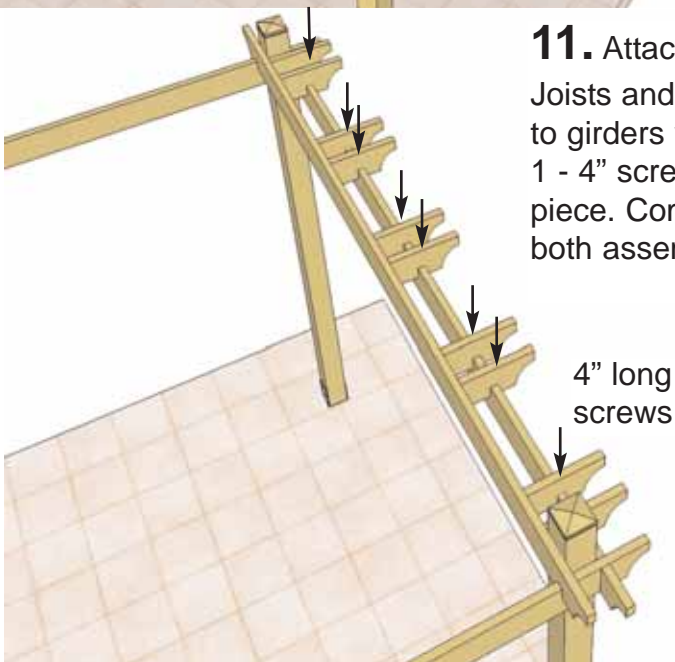


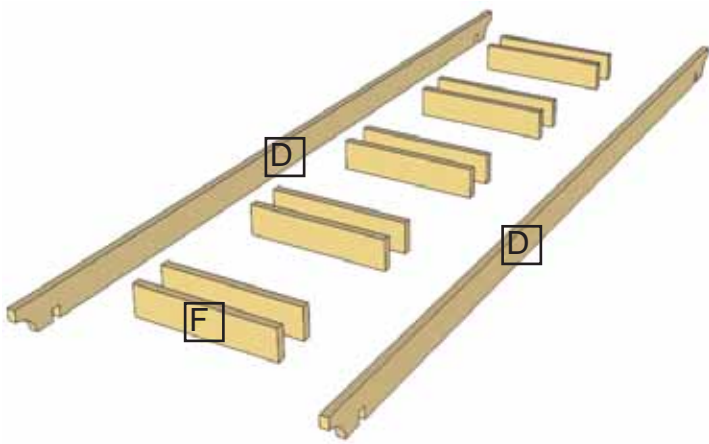
10. Carefully lift up completed Stub Joist / Main Joist assembly and place Main Joist between Side Girders flush against posts and notch sitting down into girder.

1 - 4" screw



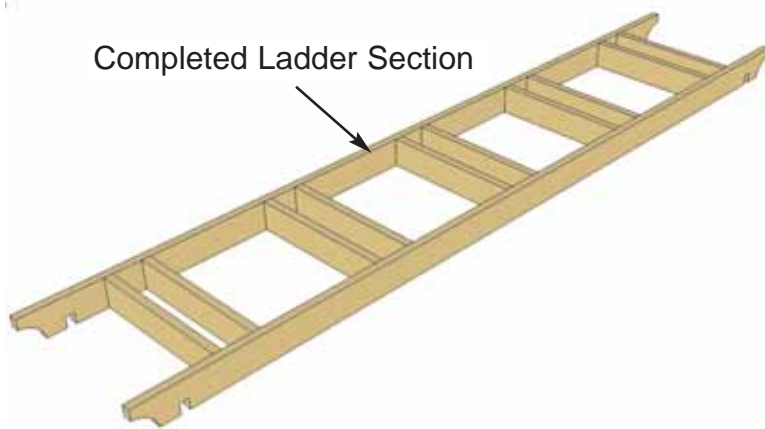
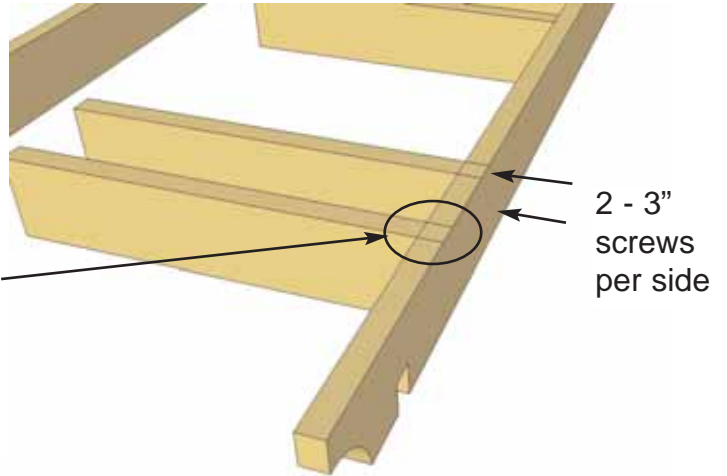
11. Attach all Stub Joists and Main Joist to girders with 1 - 4" screw per piece. Complete both assemblies





12. On a flat surface, position Blocking (F) where marked on Main Joist (D) and screw with 2- 3" screws per piece. Blocking should be flush with top and bottom of Main Joist with all notches facing down. There are 10 Blocking pieces per completed Ladder Section

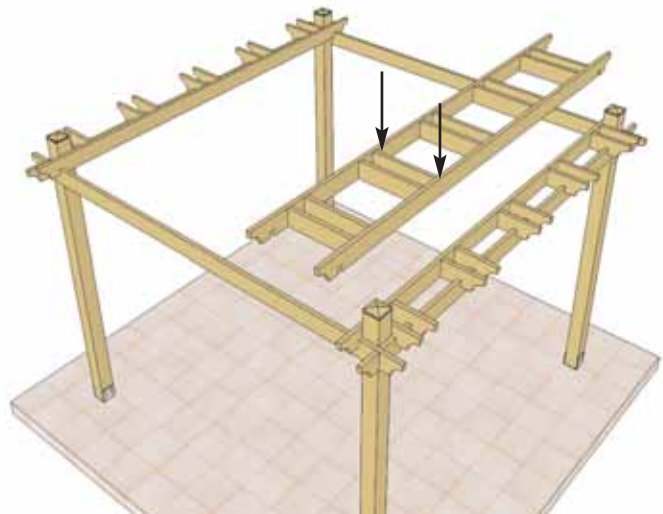
Main Joists are pre-marked to correct Blocking placement.

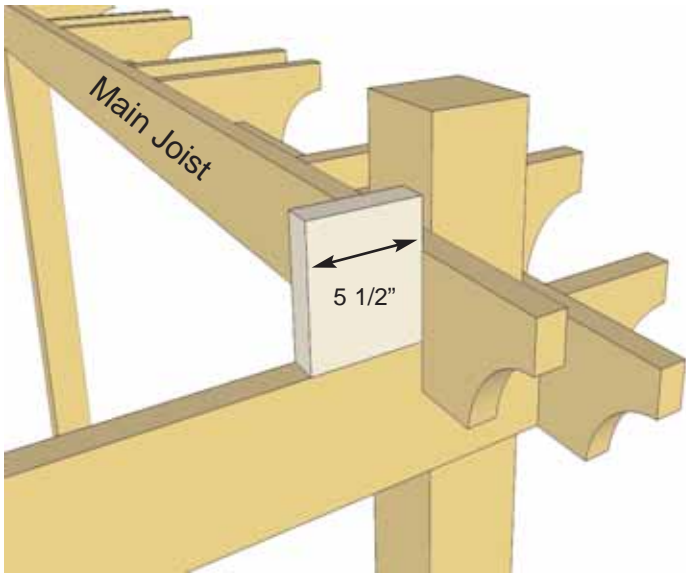


Completed Ladder Section

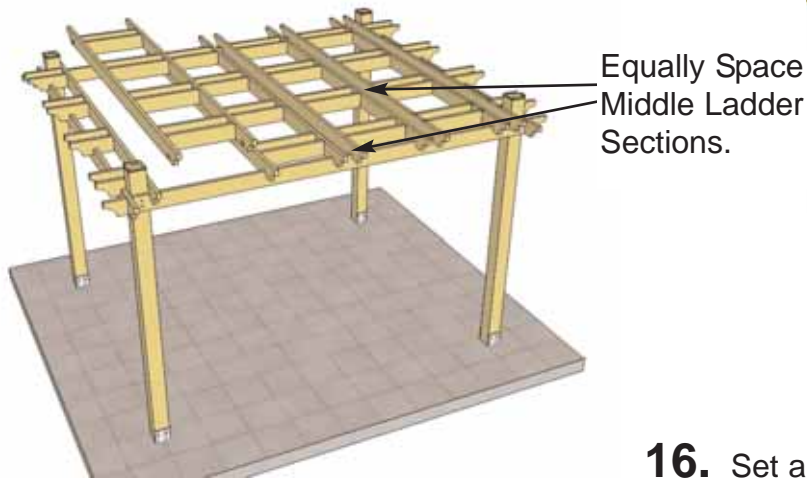
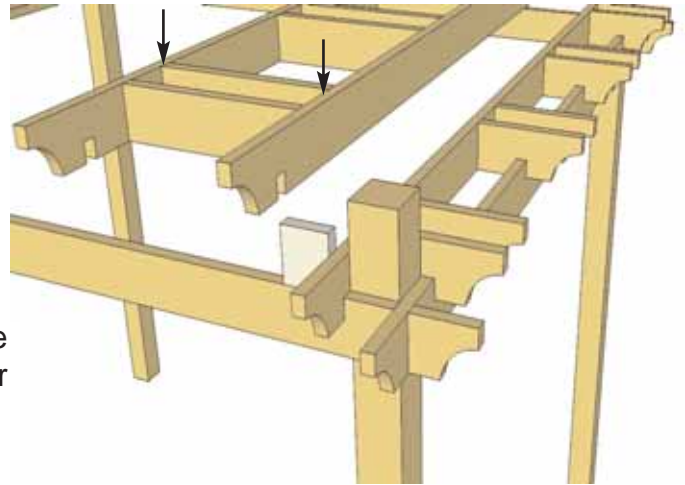
13. Complete all 4 Ladder Sections on the ground prior to moving to **Step 14.**

14. Carefully lift up one of the Ladder Sections and place between Side Girders. You will require a helper to assist in lifting up the ladder section.

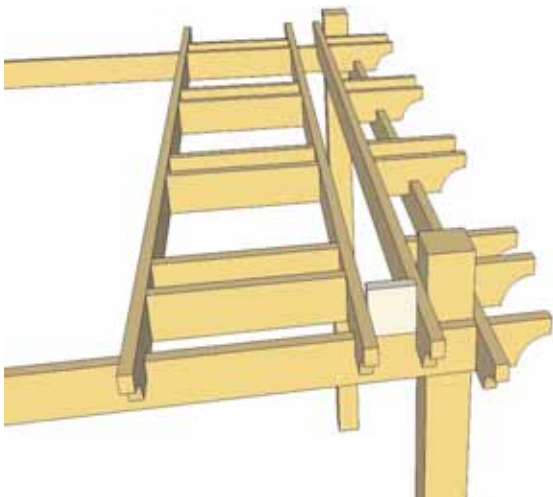




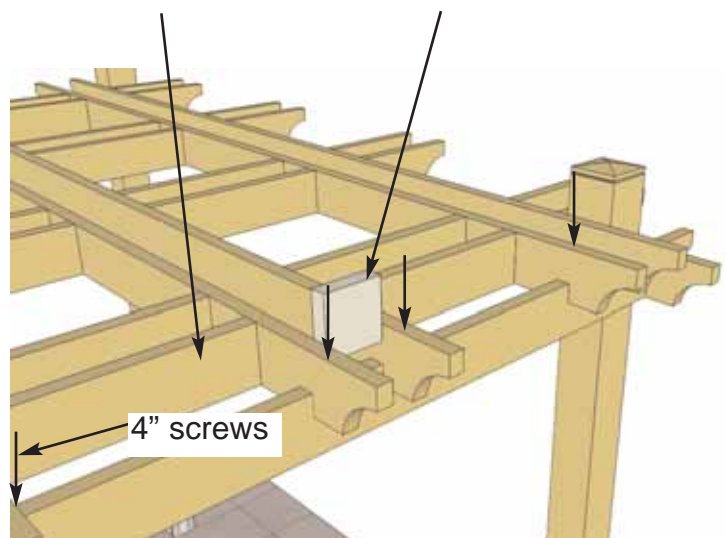
15. To properly position Ladder on Side Girders, use a Corner Bracket Joist Mount - 5 1/2" wide as a template. Position against Main Joist and mark. Lower complete Ladder section down so notch of joist sits on Side Girder.



16. Set all remaining Ladder Sections in place. Use Corner Bracket Joist Mount - 5 1/2" wide as a template for Outside Ladder once again. Equally space Middle Ladder Sections.

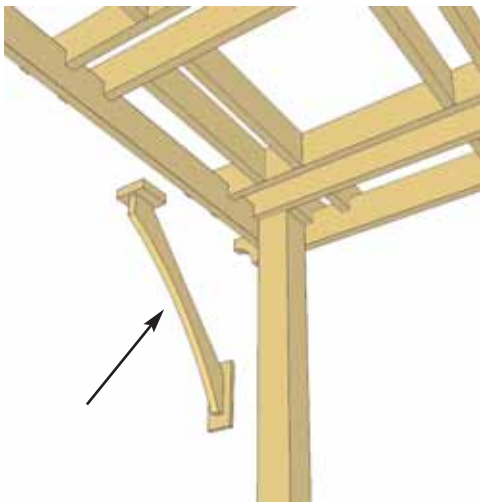
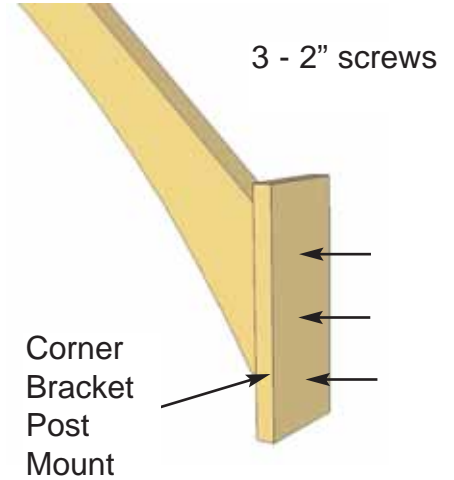
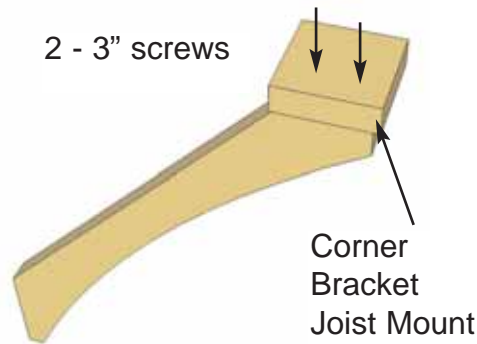
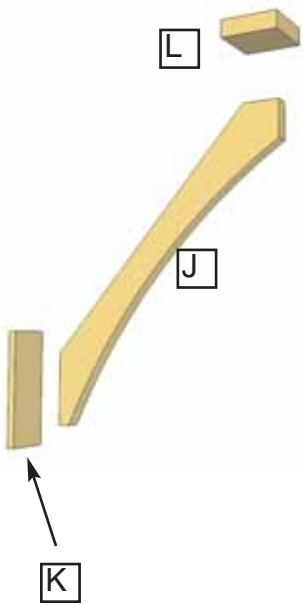


2nd Ladder Section
Use only as guide, space may vary.

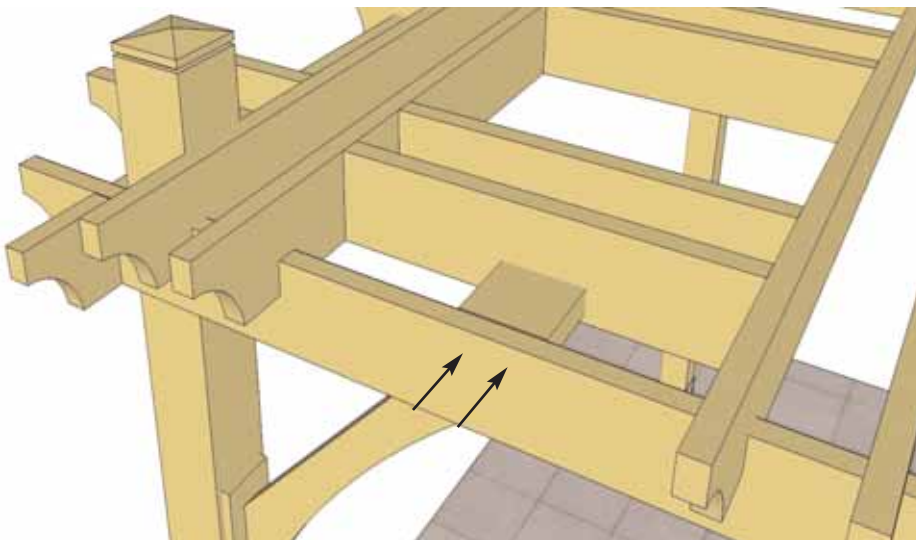
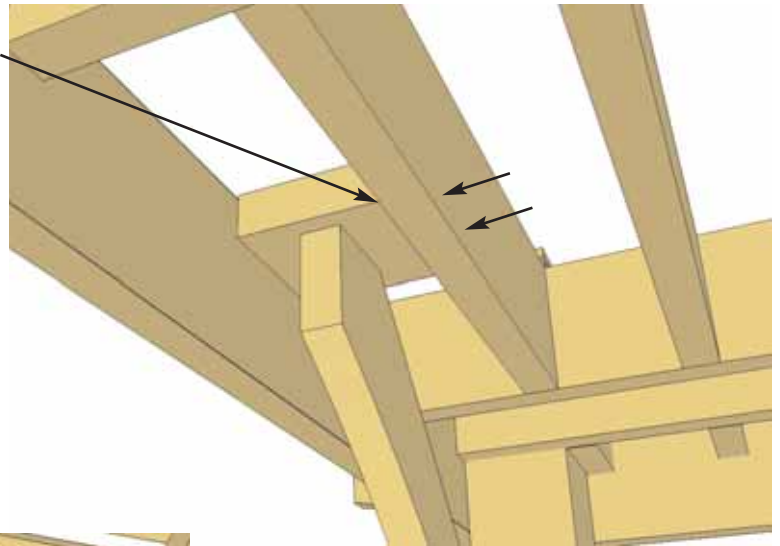


17. Attach Ladder to Side Girders with 4 - 4" screws per Ladder. Screw from top down into girder.

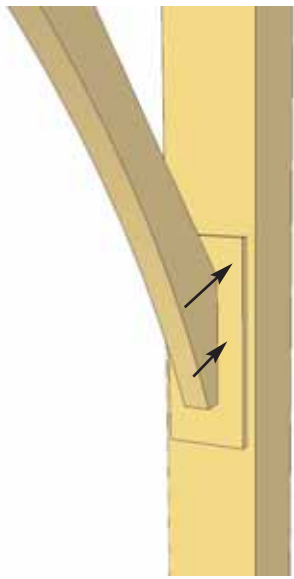
18. Complete Corner Bracket attachments prior to mounting Corner Brackets to Breeze - 8 Brackets. Start by attaching Corner Bracket Joist Mount (L) to top of Bracket. Joist Mount should be centered on bracket. Use 2 - 3" screws per mount. Next, attach Corner Bracket Post Mount (K) to bottom of Brackets (J) with 3 - 2" screws. Complete all Corner Brackets prior to installing them.



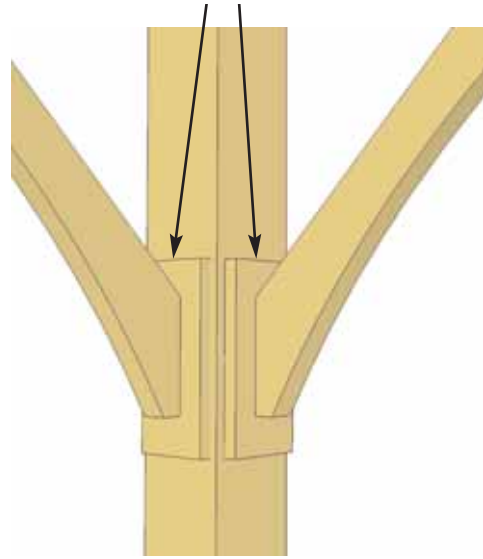
Position Bracket so Joist Mount is flush with bottom of Blocking or Main Joists. Please note that bracket can mount up higher but using the bottom will make it easier to align all brackets later.



19. Position Corner Bracket so Joist Mount is flush with bottom of Blocking or Main Joist and Post Mount is flush against Post. When in correct position, attach joist mount to girder and joist/blocking with 2 - 3" screws per side.



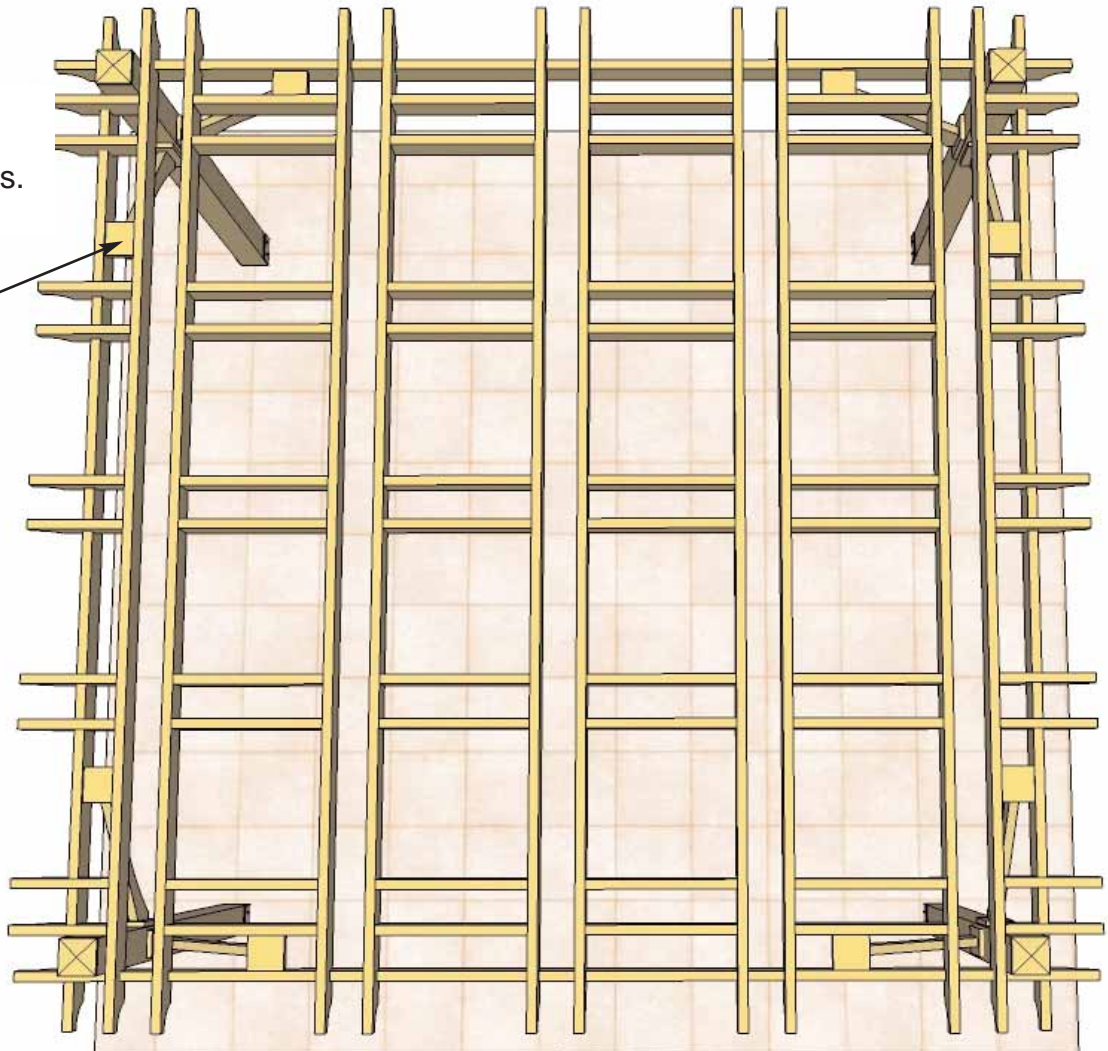
Be sure to align Bracket Post Mounts equally on posts.

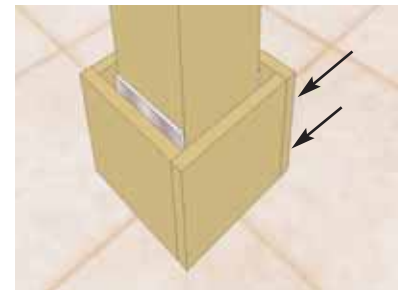
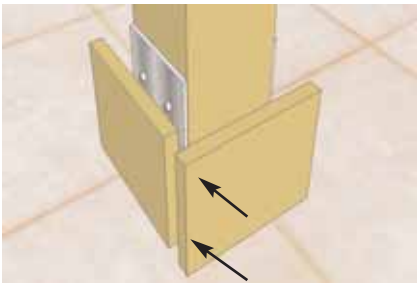


20. With Bracket centered on Post, attach Bracket Post Mount to Post with 6 - 2" Stainless Steel Screws. Attach remaining Corner Brackets to Posts. There will be two brackets per post.

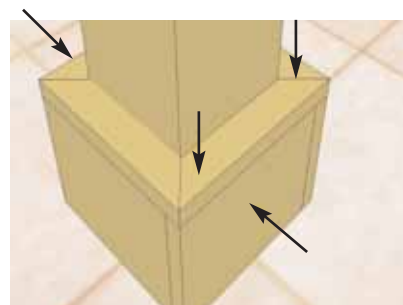
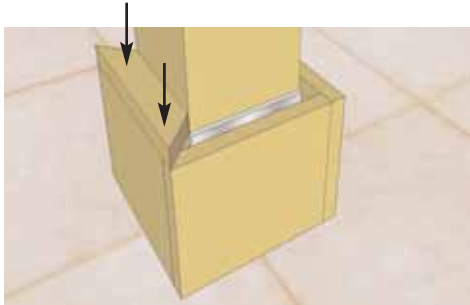
Birds Eye View of Breeze showing position of Brackets.

Joist Mount



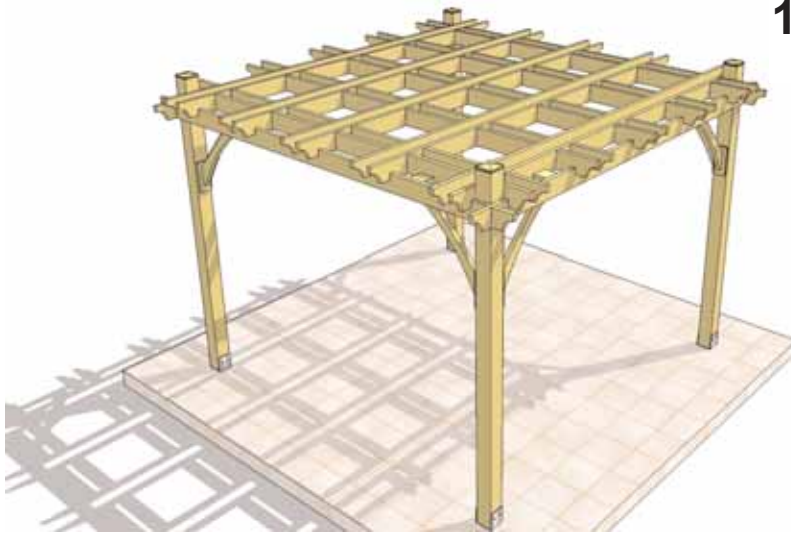


21. To complete your Breeze, attach Post Skirting around each post. Position 2 skirting pieces together to form an “L” shape and attach with 2 finishing nails. Complete second “L” section and attach both sections together with 2 finishing nails. Skirting pieces will fit together in what is referred to as “windmill fashion”.



22. Nail top cap pieces (45 degree cut on both ends) down to Post Skirting. Use 2 finishing nails per piece. Screw completed Post Skirting to post with 2 - 3” screws. Complete all Post Skirting attachments.

12X12 BREEZE PERGOLA



Congratulations and thanks for purchasing a Breeze Pergola!

Note; The Breeze Pergola is an unfinished product. If exposed to the elements, the western red cedar lumber will weather to a silvery-gray color. If you prefer to keep the cedar lumber looking closer to the original color, we suggest that you treat the wood with a good oil base wood stain. You may also wish to paint your new Pergola rather than stain it. In both cases we recommend that you consult with your local paint and stain dealer in your area for their recommendations.

If you have any questions, comments or suggestions about the Breeze Pergola, please contact our customer support line @ 1-888-658-1658 or email us at service@outdoorlivingtoday.com.

Thanks again!

Customers agree to hold Outdoor Living Today and any Authorized Dealers free of any liability for improper installation, maintenance and repair of any Outdoor Living Today products.