

Detailed Diagrams of Shower Door Components

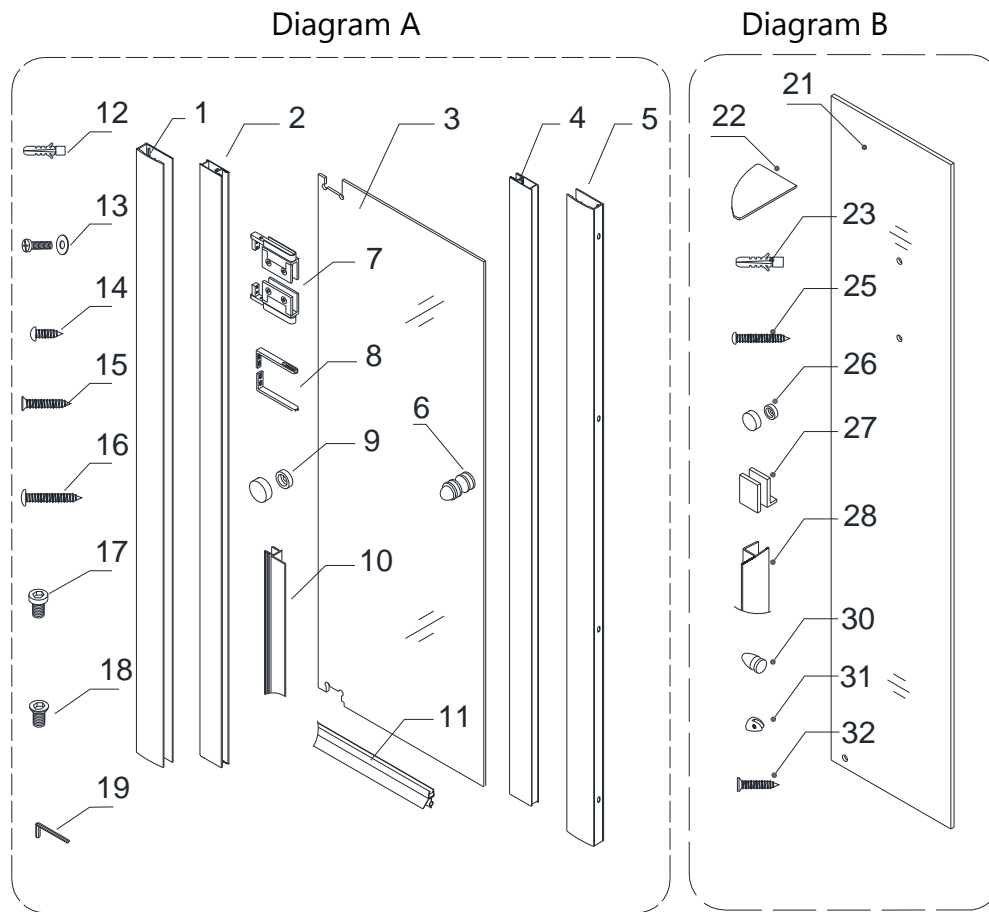


Diagram A

01	Wall profile for glass door	1pc	11	Bottom anti-water strip	1pc
02	Glass profile for glass door	1pc	12	Wall anchor	12pcs
03	Glass door	1pc	13	Bolt M4×16 (with washer)	4pcs
04	Glass profile	1pc	14	Round head screw ST4.2×10	8pcs
05	Wall profile	1pc	15	Flat head screw ST4.2×25	2pcs
06	Handle	1set	16	Big flat head screw ST4.2×40	13pcs
07	Pivot assembly (upper and bottom)	1pair	17	Round head socket bolt M6×12	1pc
08	Pivot retainer (upper and bottom)	1pair	18	Flat head socket bolt M6×12	1pc
09	Decorative cover	8pcs	19	Hex wrench	2pcs
10	Anti-water strip	2pcs			

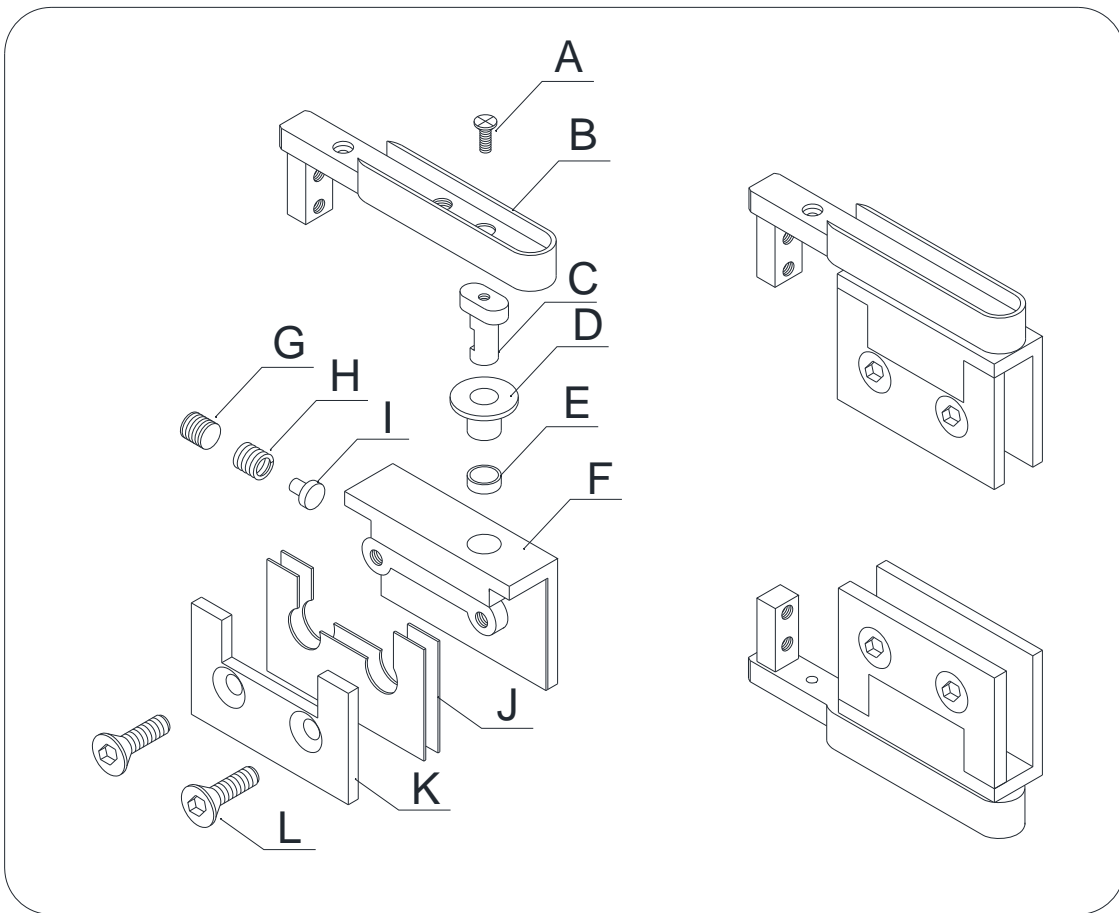
Diagram B (Only for door with stationary glass)

21	Stationary glass	1pc	27	Bottom bracket	1pc
22	Glass shelf	2pcs	28	Anti-Water strip (Door)	1pc
23	Wall Anchor	4pcs	30	Shelf bracket (with nut)	2pcs
25	Round head screw ST4.2×35	1pc	31	Shelf bracket (without nut)	4pcs
26	Decorative cover	1pc	32	Countersunk screw ST4.2×40	4pcs

NOTE: Unpack your unit carefully and inspect it. Lay it out and identify all parts using parts diagram and part list in your manual as a reference. Before discarding the carton, check for small hardware bags that tend to fall to the bottom of the box. If any parts are damaged or missing, please contact DreamLine™ for replacement.

NOTE: Retain these installation instructions for future reference.

Self Closing Pivot Assembly Parts List



A	Flat head bolt M4x8	1pc	G	Bolt M12x10	1pc
B	Pivot bracket	1pc	H	Spring	1pc
C	Pivot axis	1pc	I	Core	1pc
D	Washer	1pc	J	Spacer	2pcs
E	End cup washer	1pc	K	Back plate	1pc
F	Pivot body	1pc	L	Bolt	2pcs

Regular Pivot Assembly Parts List

