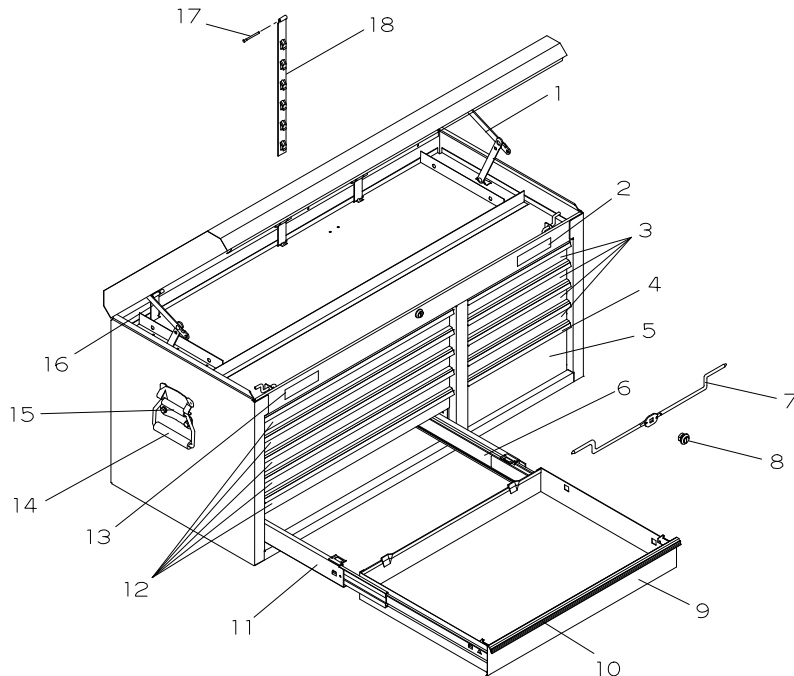


# MODEL NO. TRX4111BK.3 11 DRAWER CHEST

WHEN ORDERING REPLACEMENT PARTS ALWAYS  
GIVE THE FOLLOWING INFORMATION:  
 MODEL NUMBER      MODEL DESCRIPTION  
 PART NUMBER      PART DESCRIPTION  
 QUANTITY      PART COLOR



#	PART NO.	DESCRIPTION
1	27275	COVER STOP – RIGHT
2	10704	NAMEPLATE
3	18194A4-EBK	2" DRAWER – BLACK
4	12125A3	DRAWER TRIM
5	18195A8-EBK	5" DRAWER – BLACK
6	27828	SLIDE ASSEMBLY – RIGHT
7	25604	LOCK CAM ASSY
8	12918A5-SS	LOCK
9	18194A1-EBK	3" DRAWER – BLACK
10	12125A1	DRAWER TRIM
11	27827	SLIDE ASSEMBLY – LEFT
12	18194-EBK	2" DRAWER – BLACK

#	PART NO.	DESCRIPTION
13	25255	LABEL
14	10647	SIDE HANDLE
15	26285-PN	HANDLE BACKPLATE
16	27274	COVER STOP – LEFT
17	1495	LOCK HINGE PIN
18	16514-EBK	LOCK BAR – BLACK
--	F1249	INSTRUCTION SHEET
--	9371	NAMEPLATE CLIP
--	15524A1	COVER CLIP
--	10855A4	DRAWER LINER SET

**NOTE:**

1. ALL UNNUMBERED PARTS ARE INTERCHANGEABLE WITH OPPOSITE SIDE.
2. TO ORDER JUST KEYS OR TO MATCH LOCK TO ANOTHER UNIT, GIVE NUMBER THAT IS STAMPED ON FACE OF LOCK.
3. REPLACEMENT KEYS MAY BE ORDERED USING THE LETTER AND NUMBER COMBINATION WHICH APPEARS ON THE FACE OF THE LOCK AS THE PART NUMBER.