

JDS28DF

GE® 30" Drop-In Electric Range with Standard Clean Oven

Dimensions and Installation Information

IMPORTANT: 30" DROP-IN RANGES ARE DESIGNED TO HANG FROM THE COUNTERTOP. IT DOES NOT REST ON THE FLOOR. FOR INSTALLATION ALTERNATIVES, REFER TO INSTALLATION INSTRUCTIONS.

Note: This appliance has been approved for 0" spacing to adjacent surfaces above the cooktop. However, a 6" minimum spacing to surfaces less than 15" above the cooktop and adjacent cabinet is recommended to reduce exposure to steam, grease splatter and heat.

Optional Kits For Drop-In Electric Ranges (Available At Additional Cost)

Accessory Backguards

(Attaches to the back of range as a backguard when unit is installed in 30" free-standing cutout)
 JXS32SS (Stainless) - 4" High
 JXS32BB (Black) - 4" High

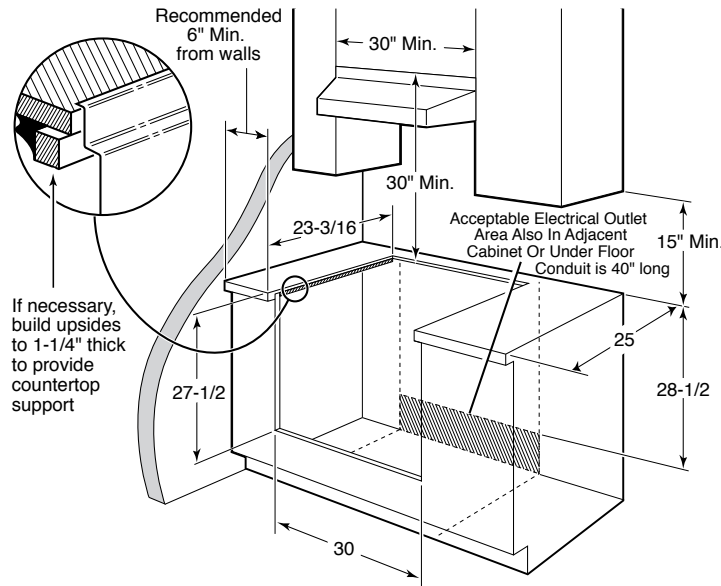
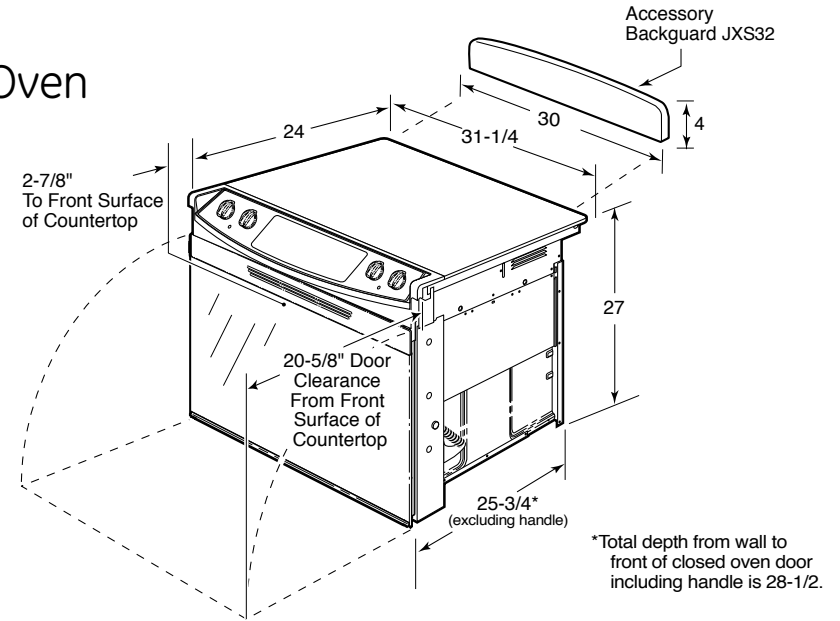
Rear Filler Strip

WB07T10680 - Black Filler Strip Assembly

Installation information: Before installing, consult installation instructions for current dimensional data and additional requirements.

KW Rating	
240V	10.8
208V	8.1
Breaker Size	
240V	40 Amps†
208V	40 Amps†

†Note: Check local codes for required breaker size.



imagination at work

For answers to your Monogram® or GE® appliance questions, visit our website at geappliances.com or call GE Answer Center® service, 800.626.2000.



ADA qualified based on Uniform Federal Accessibility Standards



All GE ranges are equipped with an Anti-Tip device. The installation of this device is an important, required step in the installation of the range.



Listed by Underwriters Laboratories

JDS28DF

GE® 30" Drop-In Electric Range with Standard Clean Oven

Features and Benefits

- Coil Heating Elements - Provide even heat and easy cleanup
- Electronic Oven Controls - Electronic touch pads are easy to operate
- 4.4 cu. ft. Oven Capacity - Enough room to cook an entire meal at once
- Standard Clean Oven - Smooth surface and rounded corners make clean-up quick and easy
- Chrome Drip Bowls - Contain spills and remove for easy cleaning
- Model JDS28DFWW - White on white



imagination at work