

NICOR[®] | **LED**

Commercial LED Downlight Retrofit

CDR6 | CDR8



**Clean, high-performance commercial
downlight solutions**

CDR6 | CDR8

The **CDR LED Commercial Downlight Retrofit Series** has been designed to replace less efficient light sources such as incandescent, CFL and HID. This fixture allows for an easy, quick conversion with installation able to be performed below the ceiling without removing the existing frame. The CDR Series is available in 6" and 8" with a CCT of 3500K or 4000K and a lumen output of 1500, 2000, or 3000. It is ideal for commercial, retail, and institutional applications where high efficiency, low energy lighting is desired in places such as corridors, conference rooms, lobbies, and large offices.

LED Driver

External LED driver with coil whip attachment makes install easy.

Heat Sink

Distributes heat for optimal performance and lifetime.

High Efficiency LEDs

High performance COB, delivers optimum lumens per watt.



Reflector Options

Reflector has 6" or 8" options for your light distribution needs.

Ideal® Adapter

Easy snap-in Ideal adapter allows for hassle-free installation.



Construction

Spun aluminum reflector with integrated white trim and satin finish
Aluminum heat sink routes heat away from electrical components

Optical System

Highly reflective faceted optical cone and textured diffuser create a uniform distribution of light

Electrical

Driver delivers full-range dimming from 0 - 10VDC
External driver ensures steady performance and long lifespan
Operating temperature rating of -68°F to 122°F (-20°C to 50°C)
Universal input 120-277VAC
LM-80 testing performed in accordance to IESNA standards

Finish

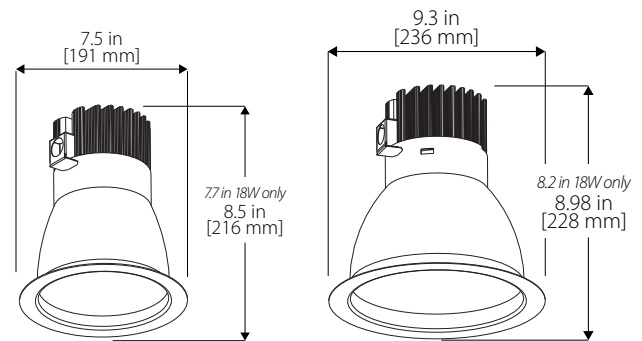
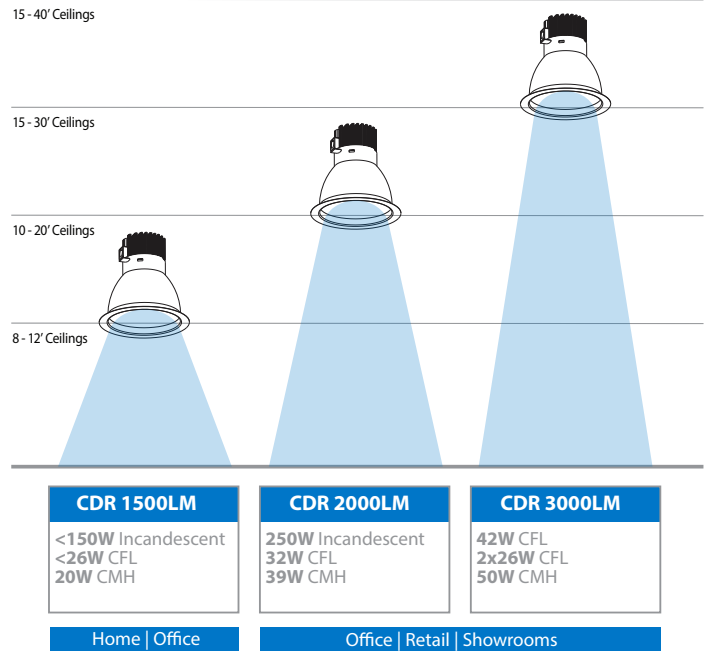
Satin aluminum reflector with integrated white trim

Installation

Easy installation into most 6" and 8" incandescent, fluorescent or HID frames.
Integrated safety cable

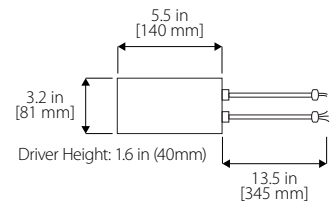
Warranty

5-year limited system warranty



6" Reflector

8" Reflector



ORDERING INFORMATION

Example: CDR6-27W-UNV-40K-SN

Series	AC Power	Voltage	CCT's	Reflector
CDR6	18W (1500Lm) 27W (2000Lm)	UNV (120-277V, 0-10V Dimming)	35K (3500) 40K (4000) 50K (5000)*	SN (Satin)
Series	AC Power	Voltage	CCT's	Reflector
CDR8	18W (1500Lm) 27W (2000Lm) 40W (3000Lm)	UNV (120-277V, 0-10V Dimming)	35K (3500) 40K (4000) 50K (5000)*	SN (Satin)

*5000K only available as special order. Contact NICOR for more info.

Warehouse Locations

Albuquerque NM

Detroit MI

Miami FL

Syracuse NY

La Mirada CA

T 800.821.6283

F 800.892.8393

www.nicorlighting.com

2200 Midtown Place NE

Albuquerque NM 87107 USA



©2015 NICOR® • ALL RIGHTS RESERVED

NICOR® | **LED**