



---

Eye Level Corporation  
One Trefoil Drive  
Trumbull, CT 06611 USA

Phone: 888.782.1760  
Fax: 888.782.1761  
[www.eyelevelliving.com](http://www.eyelevelliving.com)

# The Heritage Pergola



# Installation Instructions

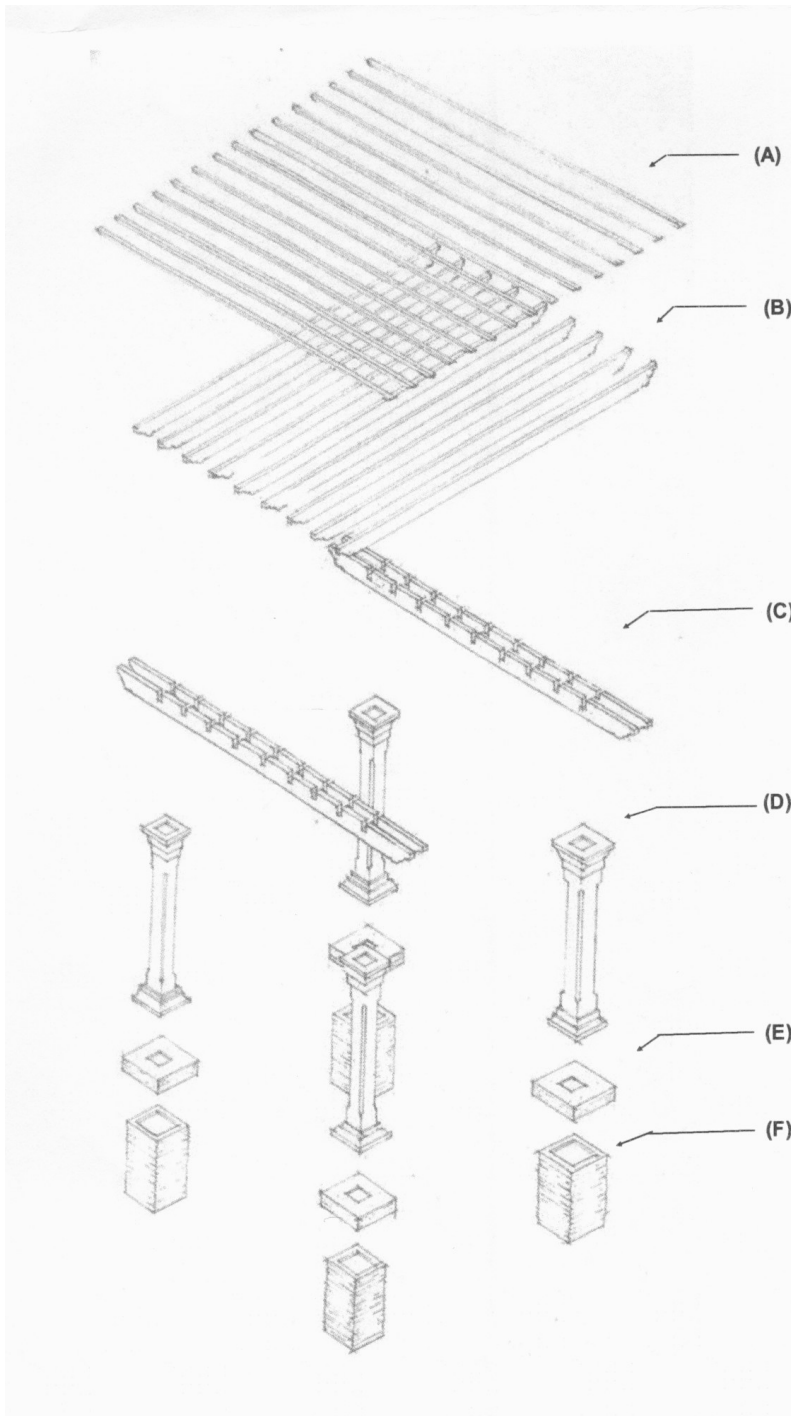


# Heritage Pergola Installation Instructions

<b><u>Content</u></b>	<b><u>Page</u></b>
General Information.....	3
Parts List.....	4
Materials and Tools Required.....	4
Pergola Dimensions.....	5
Layout	
- Pergola .....	6
- The Four 4" x 4" Support Post Locations .....	6
The 4" x 4" Wooden Support Post on Concrete Piers Method.....	7
High Wind Load Post Installation .....	9
Installing the Pergola Parts	
- Assemble Base / Cap / Wing Bracket / Extension Columns.....	11
- Assemble Dual Support / Cross Beams .....	12
- Assemble Optional Purlins.....	14
Cleaning and Care.....	15
Warranty Terms and Conditions.....	16

## General Information

Your Eye Level Pergola has been designed for installation on a cement slab, cement piers, or in ground using wood post supports. All installation methods require the installer to supply four 4"x 4" wood support posts in proper lengths and if pier or slab mounted, four metal fasteners with hardware. These and other tools and materials needed for installation are listed on **page 4**. Installations requiring 150 mph wind loads must follow post installation found on page 9.



Item	Part Name	Qty. [pcs]
A	Purlin [Optional ] 1.5" x 2" x 161"	12 or 15
B	Cross Beam 1.5" x 7.5" x 168"	9
C	Notched Support Beam	4
D	Column Extension 6" x 6" x 61"	4
E	Base Cap 17" x 17" x 4"	4
F	Stone Base 15" x 15" x 31"	4

## Parts and Materials List

Item	Installation Kit	Quantity [pcs]
1	<b>Stainless Steel Wing Bracket</b> (Secures support Notched Beams to posts)	4
2	<b>Stainless Steel Load Plate</b> (Supports beams and wing bracket)	4
3	<b>Screw #12 1 1/2" Philips Pan Head</b> (Secures Load Plate to post)	4
4	<b>Screw #14 x 3/4" Hex Head Self Drilling Screw</b> (Secures Notched Beams to Wing Bracket)	16
5	<b>Screw #8 x 1 1/2" Philips Flat Head Wood Screw</b> (Secures Column and Stone Base metal brackets to wood support post)	32
6	<b>Screw #8 x 1 1/2" Philips Pan Head</b> (Secures Wing Bracket to posts)	48
7	<b>Construction Grade Adhesive</b>	1

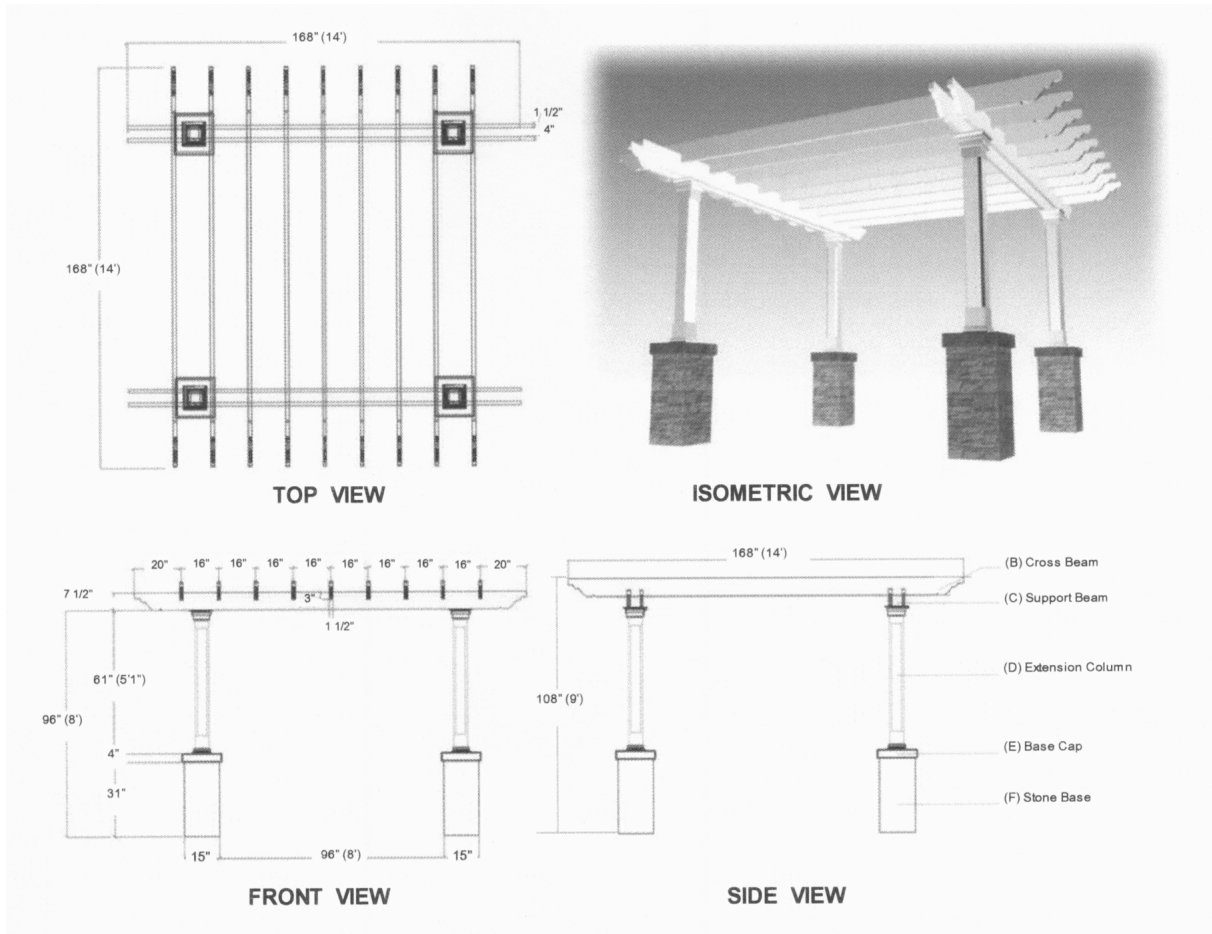
### Materials Required:

1. Four 4" x 4" wood support posts 10' or longer (\* Length depends on installation method)
2. Four 4" x 4" galvanized metal support post fasteners for pier installation method. (Wood screws, wedge anchors, bolts, and masonry and wood drill bits)
3. Exterior construction grade silicone sealant
4. 80 lb. ready to mix concrete (approximately 2 bags per pier)

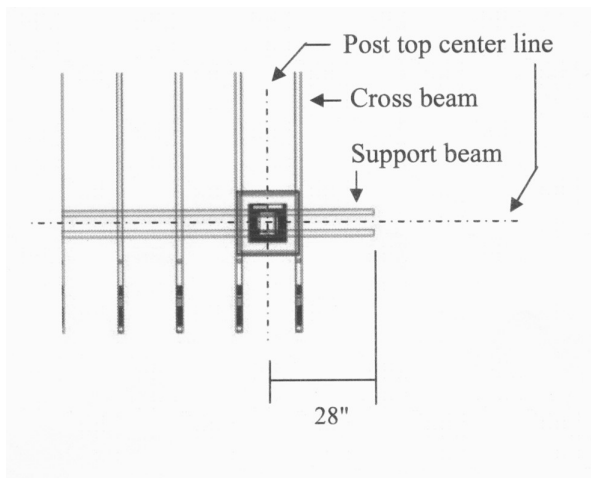
### Tools Required:

- Tape measure
- Level
- Ladders
- String or chalk line
- Carpenter Square
- Drill
- Hand / Power saw
- Screwdriver set
- Wheelbarrow
- Clamps
- Trowel / Float
- Socket wrench set
- Hammer
- Carpenter pencil
- Drill Bits
- Caulk gun
- Bucket / Hose
- Post hole digger
- Shovel

# Pergola Dimensions



The overall height of the basic kit from ground level to the top of the pergola cross beams is approximately 9'. Optional purlins add 1 1/2" in height. The height from ground level to the bottom of the support beams is 8 feet. The overall dimension of your pergola (14'x14') are the outside measurements of the top support beam and cross beam measured from tip to tip.



Note: The center of each support post is 28 inches inside the cross and support beams.  
\*As shown to the left.

# Pergola Layout

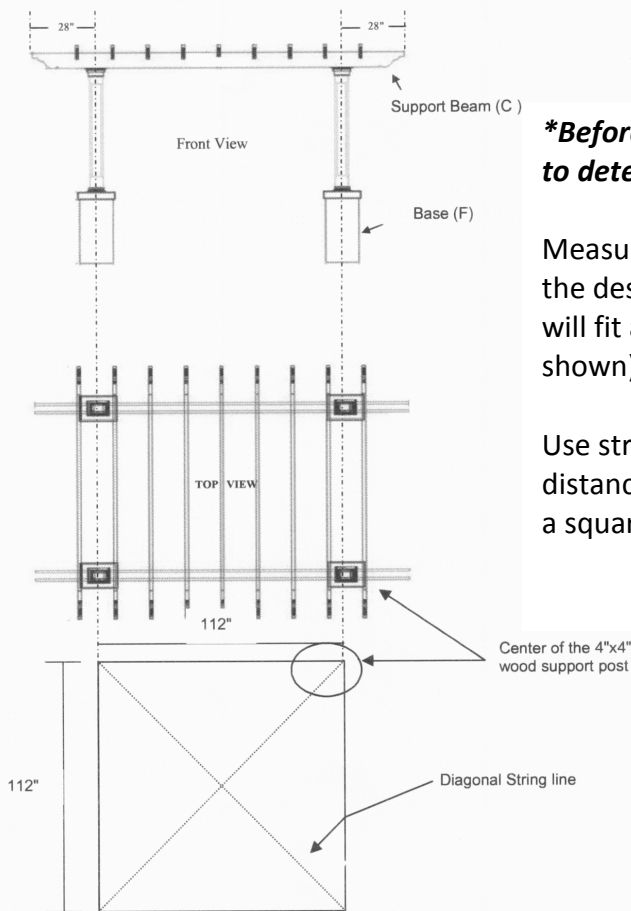
The layout of your pergola and support posts is **important**. You will need to consider post locations and the slope of concrete patios and wood decks. Before digging, check for underground utilities. The North America One Call Referral Service at 1.888.258.0808 connects you to a national directory of utility companies.

The support posts are positioned 28" inside the tips of the top beams. *To accommodate smaller outdoor living areas the positioning of the posts may be moved inward, make sure the center of the post is positioned in the center of the notched beams.*

Finding the correct placement of your columns and the inside 4" x 4" wood support post is extremely important. Take your time analyzing and measuring where each support post will be placed. Make sure you are clear of all electric, water, phone lines, etc. prior to digging for piers if you are not securing your pergola to a concrete patio floor.

**Note:** *It is recommended that you verify local building codes, ordinances and neighborhood covenants for height restrictions and other local requirements for these structures.*

## Layout of the Four 4" x 4" Support Post Locations



***\*Before digging, contact your local surveyor to determine where you can dig safely.***

Measure and mark the width and length of the desired area to make sure your pergola will fit and be square (see the dimension as shown).

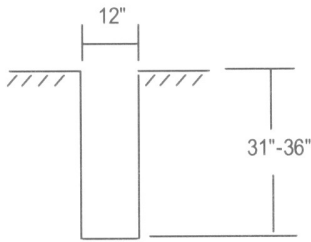
Use string lines to measure both diagonal distances. They must be the same to ensure a square installation.

# Foundation for 4" x 4" Support Post

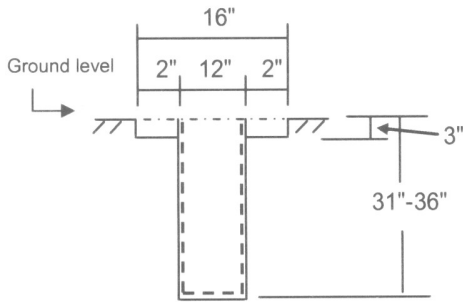
The Heritage Pergola can be installed on a concrete patio, concrete piers, or in 31"- 48" deep holes (depends on local building codes) filled with concrete.

## Installation method for 4" x 4" wood support post on concrete piers

### 1. Construction of Piers

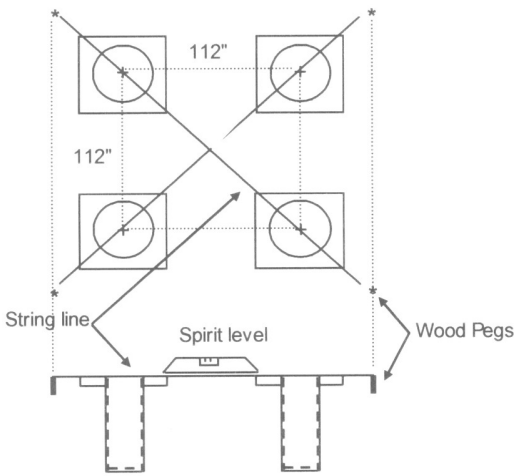


**Step 1.** Using a post hole digging tool, dig a hole 12" in diameter; approximately 31"- 48" deep. Fit a 12" sonotube down into the hole for the concrete pier.



**Step 2.** Dig a 16" x 16" x 3" deep square pad for Pergola Base (F) platform.

\*Limestone column base requires a 13" x 13" platform\*

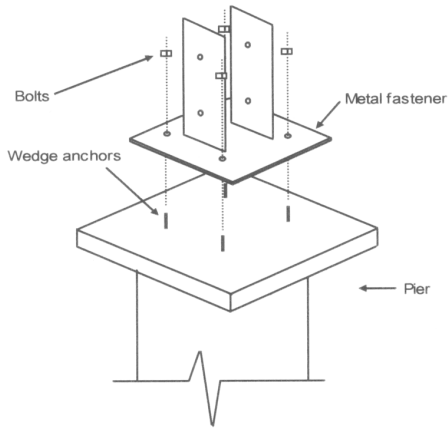


**Step 3.** Level the pier platforms using string line, wood pegs and a level (as shown). Mix the ready-mix concrete with water in a wheelbarrow (follow instructions on the bag).

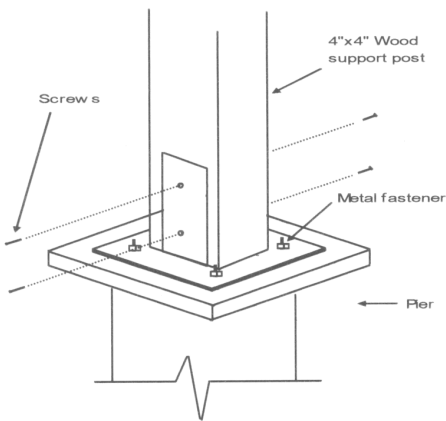
You will need approximately two 80 lb. bags of ready mix concrete for each pier. Then fill in pier and pad. Smooth the surface with trowel / float.

\* Curing times vary; follow instructions on the ready mix bag.

## 2. Secure the Wedge Anchors to the Metal Fastener



**Step 1.** Place each 4" x 4" galvanized metal support post fastener at the center of each pier. Mark the base holes, then drill with a masonry drill bit to the appropriate depth. Insert wedge anchors into each hole and tap tight with a hammer. Using a wrench, tighten the bolts to secure the metal fastener to the pier.



**Step 2.** Stand up the 4" x 4" wood support post one at a time in the post fastening bracket. Level the post on two sides. Mark the bracket side hole positions and then drill pilot holes. Secure the post by screwing wood screws into the pilot holes through the fastening bracket and into the wood support post.

**Note: Minimum post height from grade level is 8'6".**

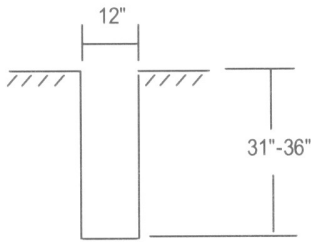


# High Wind Load Installation

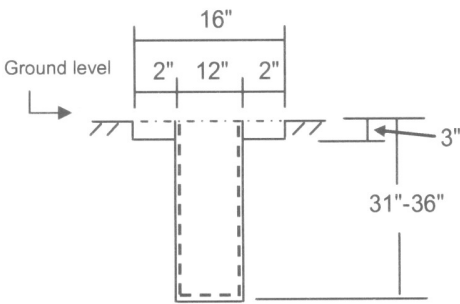
The Heritage Pergola is designed to withstand 150 mph windloads but requires securing 4"x4" wood post into the ground with concrete.

## Installation method for 4" x 4" wood support post in ground

### 1. In ground Method

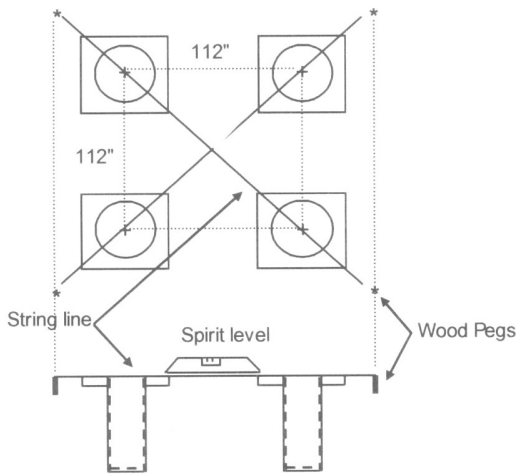


**Step 1.** Using a post hole digging tool, dig a hole 12" in diameter; approximately 31"- 48" deep. Fit a 12" sonatube down into the hole for the concrete pier.



**Step 2.** Dig a 16" x 16" x 3" deep square pad for pergola base (F) platform.

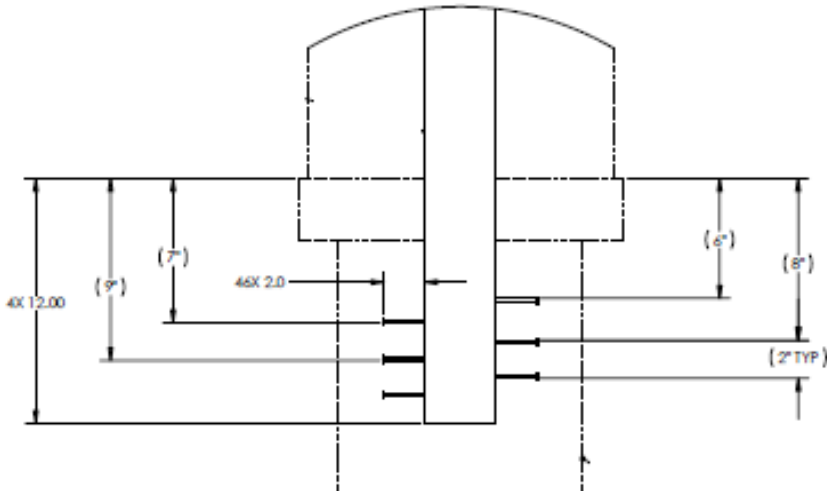
\*Limestone column base requires a 13" x 13" platform\*



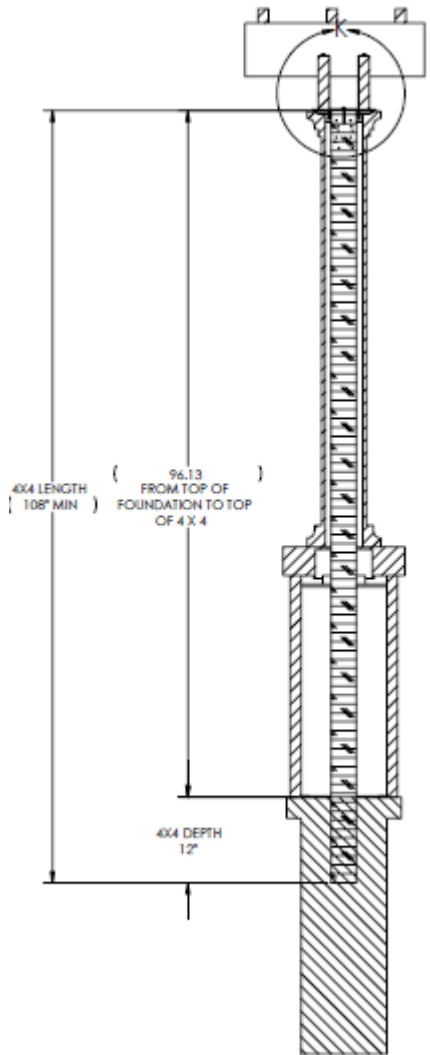
**Step 3.** Level the pier platforms using string line, wood pegs and a level (as shown). Mix the ready-mix concrete with water in a wheelbarrow (follow instructions on the bag).

You will need approximately two 80 lb. bags of ready mix concrete for each pier. Then fill in pier just below pad.

**2. Install 4" x 4" Posts**



**Step 4.** Insert twelve 16D 3 1/2" Stainless Steel nails in the bottom of the 4"x4".



**Step 5.** Insert 4"x4" into the 12" Sonatube about 12" below the grade.

**Step 6.** Square and secure posts as concrete cures.

**Note: Minimum post height from grade level is 8'6".**

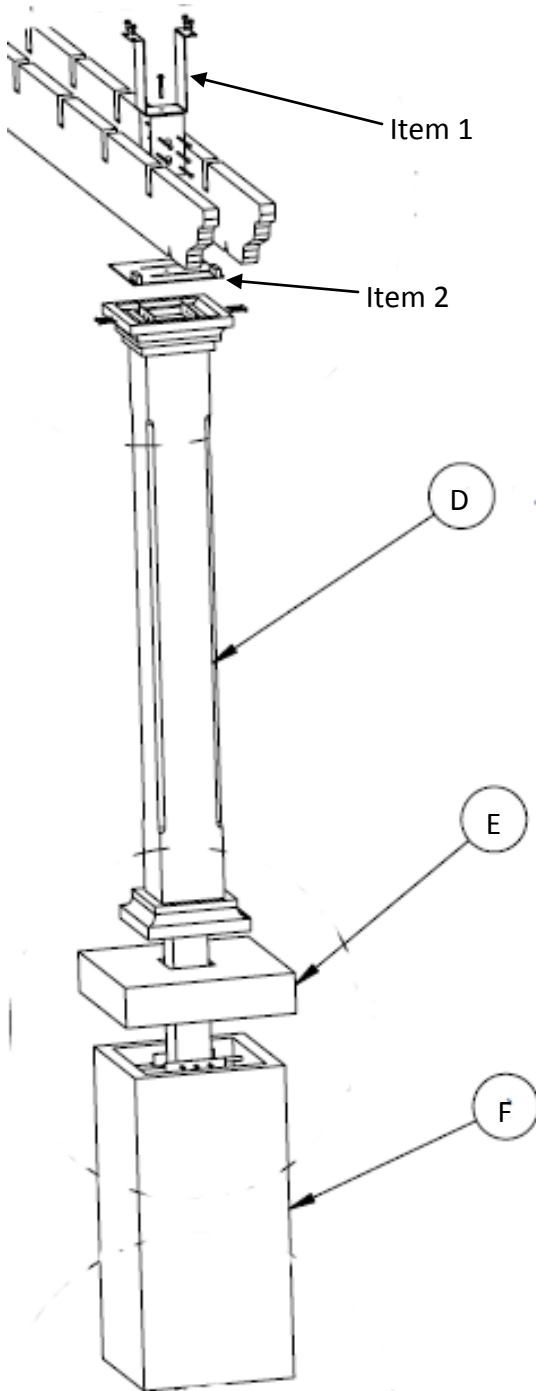
**Step 7.** Complete pad fill with concrete and smooth with trowel/float.

\* Curing times vary; follow instructions on the ready mix bag.

# Installing the Pergola Parts

These parts are heavy. For safety, you will need two or more people to do this assembly.

## 1. Assemble Base / Cap / Wing Bracket / Extension Column



**Step 1.** Slide the Cast Stone Base (F) over the top of the 4" x 4" support post. Use four #8 x 1 1/2" Philips Wood screws (Item 5) to secure the galvanized fastening bracket at the top of the Base into the 4" x 4" support post.

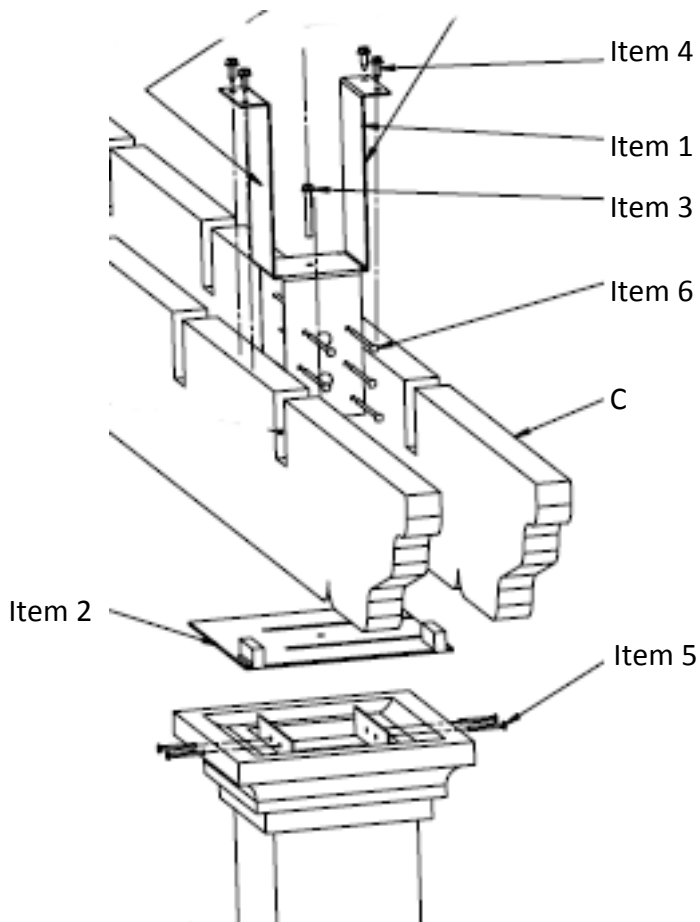
**Step 2.** Slide the Base Cap (E) over the 4" x 4" post and seat it onto the base. Secure it with exterior silicone to the base top edges.

**Step 3.** Measure the Extension Post (D) and add 1/8" to 1/4" for Load Plate spacing. Take the total measurement which should be roughly 61 1/8" and mark a line up from the Base Cap (E). Draw a straight line at the top of the post and carefully remove the excess post material with a saw.

**Step 4.** Align the grooves on the Load Plate (Item 2) with the Wing Bracket (Item 1) arm extensions that fit over the 4"x4" post. Slide the two brackets together and place on top of the 4"x4" post. Use twelve #8 x 1 1/2" Pan Head screws (Item 6) to attach Wing Bracket to 4"x4" post. Ensure load plate moves freely prior to installing. Once installed remove Load Plate. **Note: Determine the desired direction for the Notched Beams. Then orient the Load Plate and Wing Bracket.**

**Step 5.** Squeeze Wing Bracket beam attachment arms together completely and secure. Carefully slide Extension Column (D) over Wing Bracket and 4"x4" post. Make sure bracket at the top of the Extension Column is positioned opposite of the Wing Bracket extension arms screwed into the 4"x4" post. Use four #8 x 1 1/2" Philips Wood screws (Item 5) to secure Extension Column to 4"x4" post.

## 2. Dual Support & Cross Beams Assembly



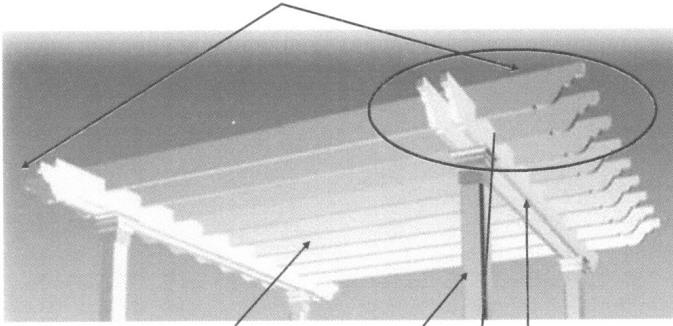
**Step 1.** Evenly space the Notched Beam ( C ) with the Wing Bracket (Item 1). With a metal drill bit, drill a pilot holes. Duplicate this step for the second Notched Beam.

**Note: Make sure the notches on the beams line up perfectly so Cross Beam (B) fits.**

**Step 2.** Apply Exterior Construction Adhesive (Item 7) to the Wing Bracket (Item 1) facing the Notched Beam ( C ). Clamp Wing Bracket and Notched Beam together and secure with four #14 x 3/4" Hex Head Self Drilling Screw (Item 4).

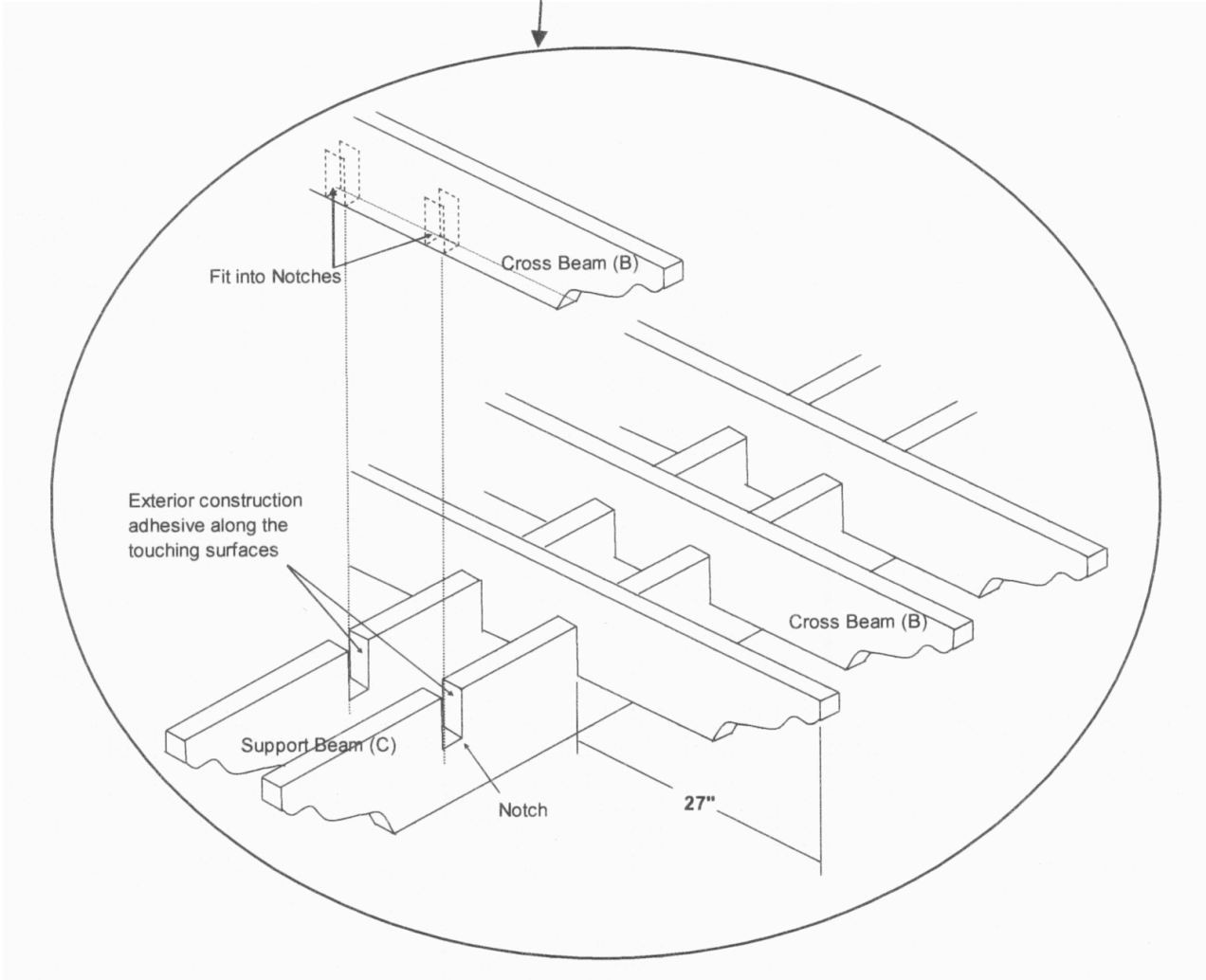
**Step 3.** Secure Load Plate to post using one #12 x 1 1/2" Philips Pan Head Screw (Item 3).

Make sure both lengths are 27"



Cross beam (B) 9 pcs    Column extension (D)    Support beam (C)

**Step 4.** Lay each of the nine Cross Beams (B) into the notches. [Tip end of the cross beam should be approximately 27 inches from the face of the bottom support beam on each side.] Apply Exterior Adhesive (Item 7) along the touching surfaces of (B) & (C)

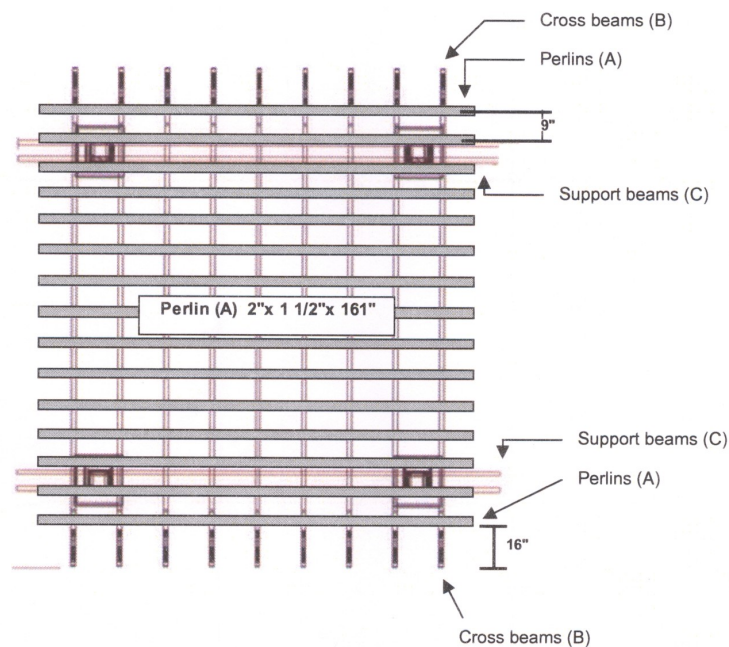


### 3. Assembling Optional Purlin Kits

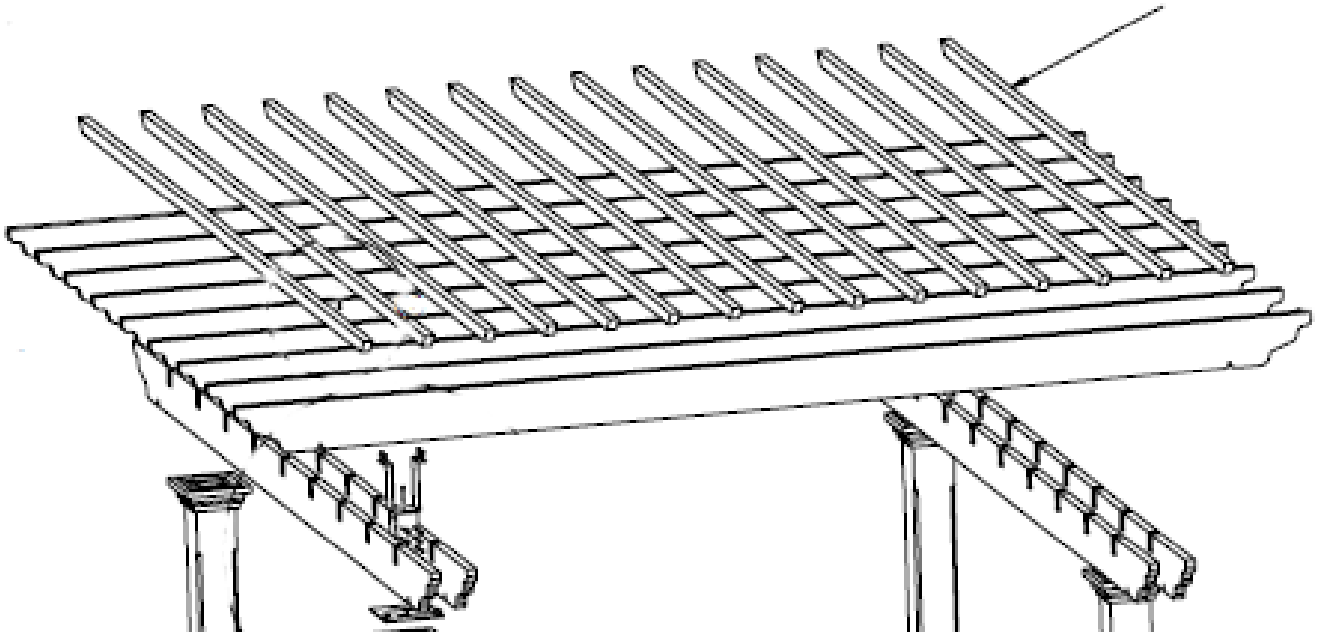
Optional purlins provide additional shade and enhance the design, and are available in kits of 12 or 15. The photographs below feature kits of 15.



The placement of purlins is subjective. We recommend placing two end purlins approximately 16" in from the tips of the cross beams. For a 15 unit purlin kit, the remaining 13 purlins should be spaced approximately 9" on center from the center of the end purlin (see diagram below).



**Final Step:** Apply Exterior Adhesive (Item 7) to the contact points between the Purlin (A) and Cross Beam (B).



## Care and Cleaning

Your Eye Level Heritage Pergola will provide years of maintenance free use. The materials used will withstand many years of normal weathering with no additional finishing required. However, dirt and acids from rain may discolor or dirty the finish. Cleaning using STET mild detergents is recommended.

To change the color or freshen the appearance, the roof beams and purlins of your pergola can be painted with an exterior oil based paint as the beam material is a polymer. The cast stone extension post, on the other hand, should be painted with a water based paint.

We are confident you and your friends will have years of enjoyment with your pergola. Please shop our complete line of outdoor living products on our website: [eyelevelliving.com](http://eyelevelliving.com).

# **Original Owners Limited Warranty**

## **for Eye Level, LLC Pergola/Arbor Products**

### **General Conditions for Limited Warranties on all Eye Level, LLC Pergolas/Arbors**

**COVERED BY THIS LIMITED WARRANTY:**

Eye Level, LLC (hereinafter Eye Level) warrants the original purchaser and not any other purchaser, or subsequent owner, that its Pergola/Arbor is free from defects in material and workmanship including severe splitting, rusting, and corrosion resulting in a loss of Pergola's/Arbor's structural integrity for a period of five (5) years from date of purchase so long as the Pergola/Arbor has never been moved from the original installation location. The original purchase receipt is required as proof of purchase. This warranty applies to Pergolas/Arbors constructed entirely of components manufactured and/or supplied by Eye Level, LLC and installed according to Eye Level's Installation Instructions for Pergola/Arbor Systems.

EYE LEVEL'S SOLE OBLIGATION UNDER THIS LIMITED WARRANTY IS LIMITED TO REPAIR OR REPLACE, AT ITS SOLE DISCRETION, THE DEFECTIVE PRODUCT OR PORTION THEREOF, AFTER EYELEVEL, LLC DETERMINES THAT A DEFECT IN MATERIAL OR WORKMANSHIP IS COVERED BY THE LIMITED WARRANTY .

**OWNERSHIP OF LIMITED WARRANTY:**

This limited warranty is non transferable and can only be enforced by the original purchaser.

**NOT COVERED BY THIS LIMITED WARRANTY:**

Damage from normal wear and tear, expected weathering of product due to but not limited to exposure to vapor or acid rain, chalking, mildew, exposure to harmful chemicals, faulty or improper assembly and/or installation, settlement or failure of any structure on which the product(s) is installed, settlement or soil movement, misuses, abnormal or improper use or design, accident, alteration, neglect, abuse, abrasion, cosmetic cracks, air pollutants, improper service or installation, impact of foreign objects, or damage caused by flood, wind, hail, lightning, fire, or other act of God is not covered by this limited warranty.

**GENERAL CONDITIONS AND EXCLUSIONS:**

THE LIMITED WARRANTY DOES NOT INCLUDE THE COST OF LABOR TO INSTALL THE REPLACEMENT COMPONENTS, DELIVERY CHARGES, SALES TAX OR ANY OTHER CHARGES, NOR IS EYE LEVEL REQUIRED TO PROVIDE SUCH LABOR OR SERVICE.

THIS LIMITED WARRANTY BY EYE LEVEL IS THE ONLY LIMITED WARRANTY FOR THIS EYE LEVEL PRODUCT. ANY OTHER WARRANTY, EITHER VERBAL OR WRITTEN, BY ANY OTHER PERSON OR AGENT, REGARDING THE PRODUCT IS SUPERCEDED BY THIS LIMITED WARRANTY.

EXCEPT TO THE EXTENT PROHIBITED BY APPLICABLE LAW, ANY IMPLIED WARRANTY FOR THIS PRODUCT, INCLUDING WITHOUT LIMITATION, THE IMPLIED WARRANTY OF MERCHANTABILITY AND THE IMPLIED WARRANTY OF FITNESS FOR A PARTICULAR PURPOSE, IS LIMITED IN DURATION TO THE FIVE (5) YEAR TERM OF THIS LIMITED WARRANTY.

IN NO EVENT SHALL EYE LEVEL BE LIABLE FOR ANY CONSEQUENTIAL, SPECIAL, OR INCIDENTAL DAMAGES ARISING OUT OF OR CONNECTED WITH THE PURCHASE OR USE OF THIS PRODUCT OR FOR ANY BREACH OF THIS LIMITED WARRANTY.

SOME STATES OR PROVINCES DO NOT ALLOW LIMITATIONS ON HOW LONG AN IMPLIED WARRANTY LASTS, OR THE EXCLUSION OR LIMITATION OF INCIDENTAL OR CONSEQUENTIAL DAMAGES, SO THE ABOVE LIMITATIONS OR EXCLUSION MAY NOT APPLY TO YOU. THIS LIMITED WARRANTY GIVES YOU SPECIFIC LEGAL RIGHTS, AND YOU MAY HAVE OTHER RIGHTS THAT VARY FROM STATE TO STATE. THIS LIMITED WARRANTY IS APPLICABLE ONLY TO SYSTEMS INSTALLED WITHIN THE UNITED STATES AND CANADA.

**HOW YOU CAN GET SERVICE:**

If you discover a potential warranty issue in relation to your Eye Level Pergola/Arbor during the limited warranty period, please contact an authorized Eye Level Dealer or call Eye Level LLC Customer Service at (888) 782-1760. After having a reasonable time to inspect the potential warranty issue, Eye Level will determine whether the potential warranty issue is covered by this Limited Warranty. In the event of repair or replacement under the terms of this limited warranty, the original limited warranty shall apply to the replaced component and said component shall have a warranty of five (5) years from the date the new component was delivered to the original purchaser.