



Installation instructions for your new

Spacemaker™ Laundry WSM2700 Electric

Before you begin – Read these instructions completely and carefully.

IMPORTANT – OBSERVE ALL GOVERNING CODES AND ORDINANCES.

Note to Installer – Be sure to leave these instructions with the Consumer.

Note to Consumer – Keep these instructions with your Owner's Manual for future reference.

⚠ WARNING – POTENTIAL FIRE AND SHOCK HAZARD

- To reduce the risk of severe injury or death, follow all installation instructions.
- Clothes dryer installation must be performed by a qualified installer.
- Install the clothes dryer according to these instructions and in accordance with local codes.
- This dryer must be exhausted to the outdoors.
- Use only 4" rigid metal ducting for exhausting the clothes dryer to the outdoors.
- DO NOT install a clothes dryer with flexible plastic ducting materials. If flexible metal (semi-rigid or foil-type) duct is installed, it must be UL-listed and installed in accordance with the instructions found in "Connecting the Dryer to House Vent" on page 7 of this manual. Flexible ducting materials are known to collapse, be easily crushed, and trap lint. These conditions will obstruct dryer airflow and increase the risk of fire.
- Do not install or store this appliance in any location where it could be exposed to water and/or weather.
- Save these instructions. (Installers: Be sure to leave these instructions with the customer.)
- This appliance must be properly grounded and installed as described in these instructions.

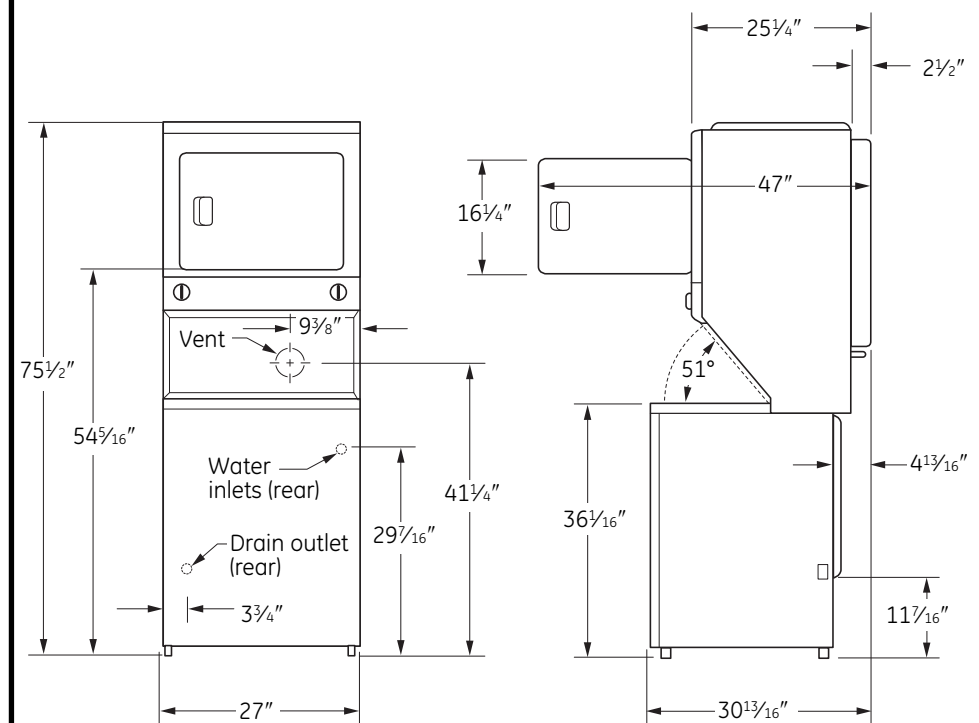
IMPORTANT

- Exhausting the dryer to the outside is required to prevent large amounts of moisture, lint and other products of combustion from being blown into the room.
- Service information and a wiring diagram are located in the dryer access panel.

TOOLS NEEDED

- Slip-joint pliers
- Phillips-head and flat-blade screwdrivers
- Ratchet with 3/8" socket
- Carpenter's level
- Adjustable wrenches

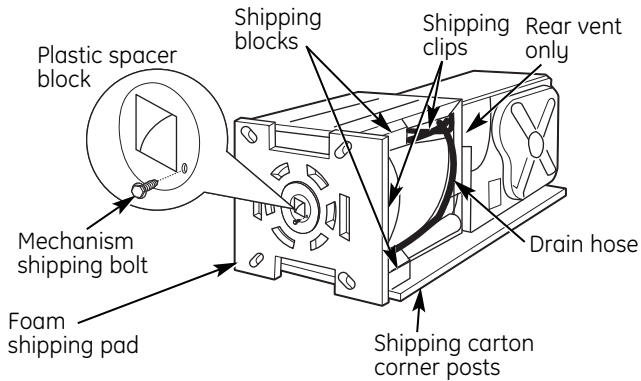
PRODUCT DIMENSIONS



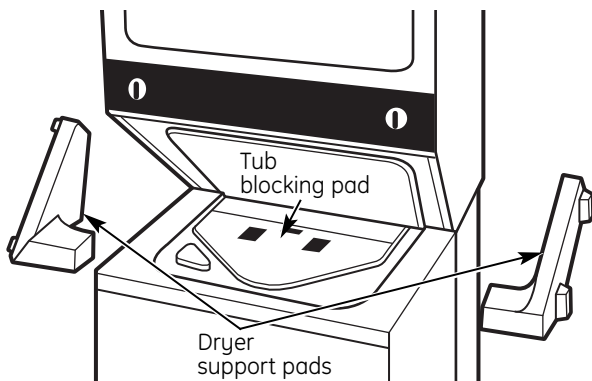
Installation Instructions

UNPACKING SPACEMAKER™

- 1** Remove tape and two corner pads from rear bottom corners of appliance.
- 2** Using the four shipping corner posts, lay the appliance on its left side so the shipping base does not rest on the floor.



- 3** Remove the foam shipping pad.
- 4** Remove the washer shipping bolt using the ratchet with 3/8" socket and remove the plastic spacer block using the slip-joint pliers.
- 5** Return the appliance to the upright position and locate it in the general area to be installed. Provide enough space at the rear for installing the water inlet hose.
- 6** Untape and open the washer lid.
- 7** Remove:
 - a. foam tub blocking pad
 - b. foam shipping blocks from rear of unit
 - c. tape from dryer door
 - d. foam dryer support pads
 - e. inlet hoses
 - f. From the back of the washer, remove only the **WIRE** shipping clips that secure the drain hose to the left side of the washer backsheet. **DO NOT REMOVE THE PLASTIC CLAMPS** on the right side of the washer. These clamps form a standpipe to prevent water siphoning.



UNPACKING SPACEMAKER™ (CONT.)

NOTE: The tub blocking pad, shipping bolt and plastic spacer should be retained for use if the appliance is transported at a later date.

- 8** Form a "U" shape on the end of the drain hose with hose pointed toward the drain. For an installation requiring a longer drain hose, use WH41X0387 (approximately 112"). This drain hose attaches directly to the pump and should be installed by a qualified technician.

INLET HOSE CONNECTIONS

- 9** Remove the inlet hoses and rubber washers from the plastic bag.
- 9A** Install the rubber washers in each end of the inlet hoses.
- 9B** Carefully connect the inlet hose marked "HOT" to the bottom outlet of the water valve. Tighten by hand; then tighten another 2/3 turn with pliers. Carefully connect the other inlet hose to the top outlet of the water valve. Tighten by hand; then tighten another 2/3 turn with pliers.

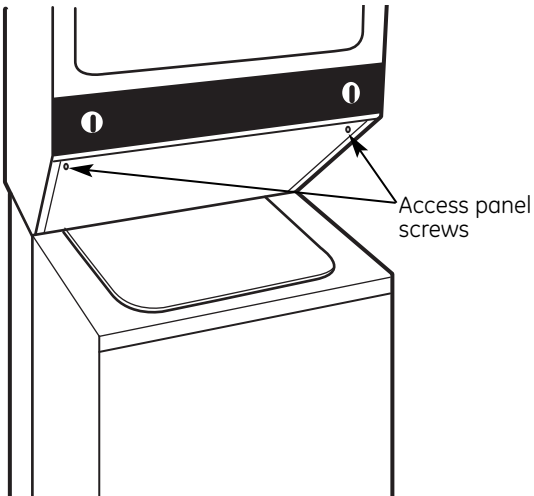
POWER CORD CONNECTION

SEE ELECTRICAL CONNECTION INFORMATION

Installation Instructions

MOVING SPACEMAKER™ TO OPERATING LOCATION

- 10** Remove the 2 screws securing the access panel to the dryer cabinet. Lift the front access panel until the tabs can be disengaged from the dryer cabinet and remove the panel.
- 11** Route the inlet hoses, drain hose and power cord through the rear access area for temporary holding when moving the appliance to the operating location.



- 12** To ensure the Spacemaker™ is level and solid on all four legs, tilt the Spacemaker™ forward so the rear legs are off the floor. Gently set the Spacemaker™ back down to allow the rear legs to self-adjust. Place a level on top of the washer. Check it side to side, then front to back. Screw the front leveling legs up or down to ensure the Spacemaker™ is resting solidly on all four legs (no rocking of the Spacemaker™ should occur).

NOTE: Keep the leg extension at a minimum to prevent excessive vibration.

CONNECTING TO PLUMBING FACILITIES

⚠ CAUTION: Be sure water supply lines have been thoroughly flushed to remove particles that might clog the washer filter screens.

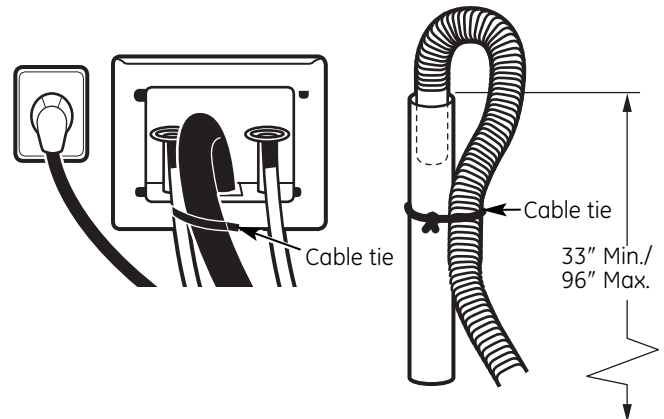
- 13** Determine which water faucet is the **HOT** water faucet, carefully connect the bottom inlet hose to the **HOT** water faucet, tighten by hand, and then tighten another 2/3 turn with pliers. Carefully connect the top inlet hose to the **COLD** water faucet, tighten by hand, and then tighten another 2/3 turn with pliers.

⚠ CAUTION: DO NOT CROSS-THREAD OR OVERTIGHTEN THESE CONNECTIONS.

CONNECTING TO PLUMBING FACILITIES (CONT.)

Turn the water on and check for leaks at both connections.

- 13A** Place formed end of drain hose in drain facility and secure with cable tie (provided in literature package).



NOTE: Drain hose MUST be secured to drain facility in all cases.

CONNECTING TO POWER SUPPLY

NOTE: For special electrical installations, see *ELECTRICAL INFORMATION* section, pages 5 and 6.

⚠ CAUTION: Be sure electricity is **OFF** at power supply source (circuit breaker/fuse box).

- 14** Plug power cord into electrical outlet.

CONNECTING TO EXHAUST

- 15** Connect the exhaust duct to outside ductwork. Use duct tape to seal all joints. See *EXHAUST INFORMATION*.

FINAL APPLIANCE LEVELING

⚠ CAUTION: ALL WEIGHT MUST BE REMOVED FROM APPLIANCE LEVELING LEG WHILE ADJUSTING. THREADS ON LEG WILL BE DAMAGED OTHERWISE.

- 16** Again, make sure the appliance rests firmly on all four legs. No rocking of the appliance should occur.

Installation Instructions

APPLIANCE OPERATIONAL CHECKOUT

- 17** Make sure all packing and shipping materials are removed, including the washer shipping bolt and plastic spacer block.
- 17A** Route drain hose properly—not coiled or kinked.
- 17B** Make sure water inlet hoses are connected (HOT to HOT) and tightened securely without kinks. Turn on water faucets and check for leaks.
- 17C** Tape all joints to make sure exhaust ductwork is secured without leaks.
- 17D** Turn on electricity at the power source.
- 17E** Turn on the washer and dryer and run through one cycle. Check all hoses for leaks.

REPLACING FRONT ACCESS PANEL

- 18** Reinstall front access panel removed in Step 10.
- 19** Place the Owner's Manual and Installation Instructions in a location where they can be found by the customer.

PLUMBING INFORMATION

WATER SUPPLY REQUIREMENTS

- **HOT AND COLD WATER FAUCETS** – Must be within 42" of the appliance water inlet hose connections. The faucets must be 3/4" garden hose-type so inlet hoses can be connected.
- **WATER PRESSURE** – Must be between 10 and 120 pounds per square inch with a maximum unbalance pressure, hot vs. cold flowing, of 10 pounds per square inch.
- **WATER TEMPERATURE** – Water heater should be set to deliver 140° to 150°F (60° to 66°C) in the washer when HOT wash is selected.
- **SHUT-OFF VALVES** – Both hot and cold water shut-off valves (faucets) should be supplied.
- **LOCATION** – Do not install appliance in an area where the temperature will fall below freezing. If appliance is stored or transported in freezing temperatures, be sure all water from the fill and drain systems has been removed.

DRAIN REQUIREMENTS

- **DRAIN RATE** – The drain or standpipe must be capable of accepting a discharge at the rate of 16 gallons per minute.
- **DRAIN HEIGHT** – The drain height must be 33" minimum and 96" maximum.
- **STANDPIPE DIAMETER** – The standpipe diameter must be 1-1/4" minimum. There **MUST** be an air gap around the drain hose in the standpipe. A snug fit can cause a siphoning action.
- **SIPHON BREAK KIT** – For a drain facility less than 33" high, the hose, coupling and clamps provided in the machine must be used and, in addition, a siphon break **MUST** be installed on the back of the machine. Use Siphon Break Kit WH49X228 and follow instructions in the kit.

ELECTRICAL CONNECTION INFORMATION

⚠ WARNING: To prevent personal injury **TURN OFF ELECTRICITY AT POWER SOURCE (CIRCUIT BREAKER/FUSE BOX) BEFORE INSTALLING OR SERVICING THIS APPLIANCE.**

DO NOT USE AN EXTENSION CORD WITH THIS APPLIANCE.

THIS APPLIANCE MUST BE PROPERLY GROUNDED.

This appliance must be electrically grounded in accordance with local codes and ordinances or, in the absence of local codes, in accordance with the NATIONAL ELECTRICAL CODE, ANSI/NFPA NO. 70-1987.

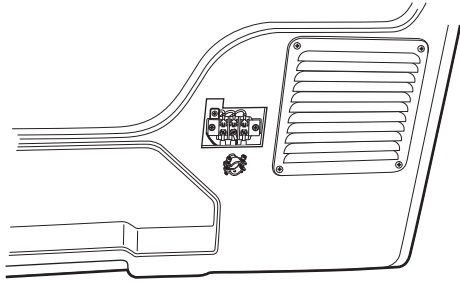
ELECTRICAL REQUIREMENTS

- This appliance should be connected to an individual branch circuit with 120/240- or 120/208-volt single-phase 60 Hz electrical service and should be protected by 30-amp time-delay fuses or circuit breakers.
- Use power supply cord kit marked for use with clothes dryers.

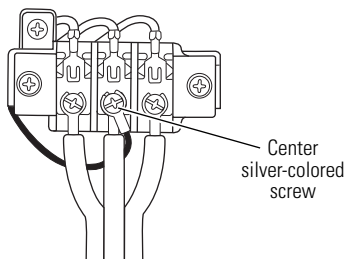
Installation Instructions

CONNECTING APPLIANCE USING 3-WIRE CONNECTION

- 1 Remove the terminal block cover located at the rear of the dryer.



- 2 Install a UL-recognized strain relief in the one-inch hole on the dryer back below the terminal block opening.
- 3 Install a UL-listed 30A, 3-conductor NEMA 10-30R-type SRDT cord with 3 open-end spade lug connectors with upturned ends or closed loop connectors.
- 4 Connect the center wire of the power cord to the silver-colored center terminal screw on the terminal block. Tighten the screw securely.



- 5 Connect the two other wires of the power cord to the outer brass-colored terminals on the terminal block. Tighten the screws securely.
- 6 Tighten the screws securing the power cord to the strain relief.
- 7 Reinstall the terminal block cover.

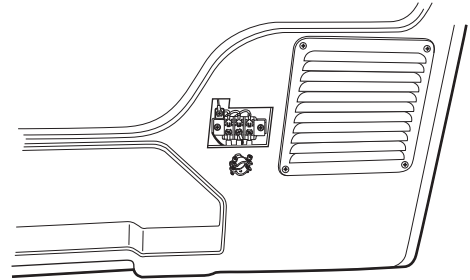
⚠ CAUTION: Be sure electricity is OFF at power source (circuit breaker/fuse box).

- 8 Plug power cord into electrical outlet.
- 9 Return to Step 15 on page 3.

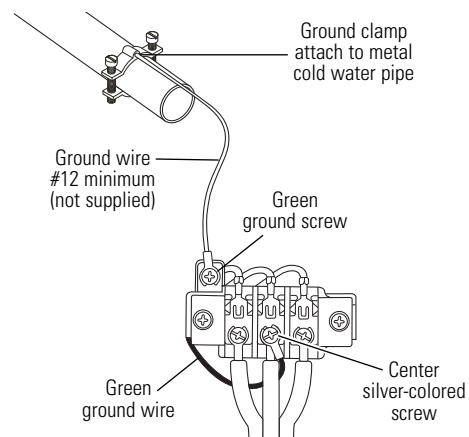
NOTE: THIS APPLIANCE IS NOT APPROVED FOR 120-VOLT OPERATION.

3-WIRE CONNECTION (UNGROUNDING NEUTRAL)

This appliance is manufactured with the neutral connected to the frame. If local codes do not permit neutral grounding, proceed as follows:



- 10 Remove the terminal block access cover.
- 10A Disconnect the green ground wire from the green ground screw.
- 10B Connect green ground wire to center (silver-colored) terminal of terminal block.
- 10C Connect a separate grounding wire (No. 12 or heavier—not supplied) between the green ground screw and a grounded metal cold water pipe or other established ground.



- 10D Reinstall the terminal block access cover.

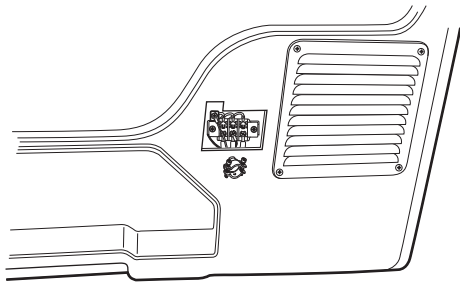
⚠ CAUTION: Be sure electricity is OFF at power source (circuit breaker/fuse box).

- 10E Plug power cord into electrical outlet.
- 10F Return to Step 15 on page 3.

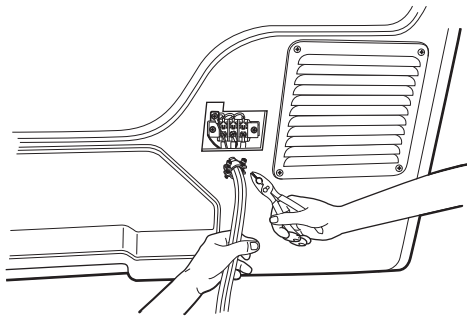
NOTE: THIS APPLIANCE IS NOT APPROVED FOR 120-VOLT OPERATION.

Installation Instructions

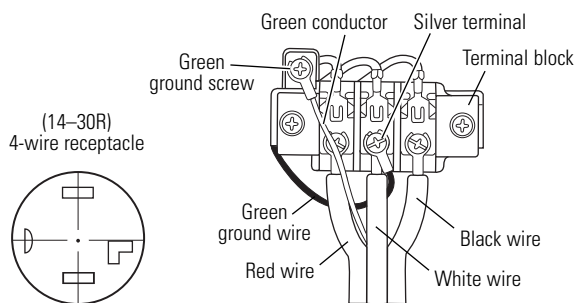
CONNECTING APPLIANCE USING 4-WIRE CONNECTION



- 1 Remove the terminal block access cover.



- 2 Install UL-listed 30A, 4-conductor NEMA 14-30-type ST closed loop terminal power cord and the strain relief.
- 3 Connect the green ground wire of the power cord to the terminal block bracket with the green grounding screw.
- 4 Connect the white wire from the power cord and the green ground wire from the appliance harness to the center (silver-colored) terminal of the terminal block.
- 5 Connect the black and red wires from the power cord to the two outer terminals of the terminal block.



- 6 Check all connection screws to make sure they are securely tightened.
- 7 Reinstall the terminal block access cover.

CONNECTING APPLIANCE USING 4-WIRE CONNECTION (CONT.)

⚠ CAUTION: Be sure electricity is OFF at power source (circuit breaker/fuse box).

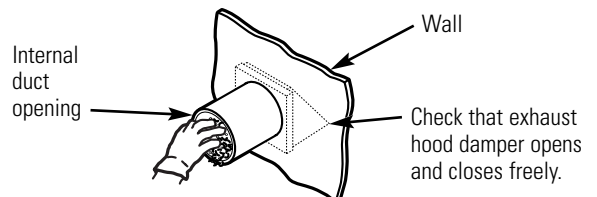
- 8 Plug power cord into electrical outlet.
- 9 Return to Step 15 on page 3.

NOTE: THIS APPLIANCE IS NOT APPROVED FOR 120-VOLT OPERATION.

EXHAUST INFORMATION

⚠ WARNING – To reduce the risk of fire or personal injury:

- This clothes dryer must be exhausted to the outdoors.
- Use only 4" rigid metal ducting for the home exhaust duct.
- Use only 4" rigid metal or UL-listed flexible metal (semi-rigid or foil-type) duct to connect the dryer to the home exhaust duct. It must be installed in accordance with the instructions found in "Connecting the Dryer to House Vent" on page 7 of this manual.
- Do not terminate exhaust in a chimney, a wall, a ceiling, gas vent, crawl space, attic, under an enclosed floor, or in any other concealed space of a building.
- Never terminate the exhaust into a common duct with a kitchen exhaust system. A combination of grease and lint creates a potential fire hazard.
- Do not use duct longer than specified in the exhaust length table. Longer ducts can accumulate lint, creating a potential fire hazard.
- Never install a screen in or over the exhaust duct. This will cause lint to accumulate, creating a potential fire hazard.
- Do not assemble ductwork with any fasteners that extend into the duct. These fasteners can accumulate lint, creating a potential fire hazard.
- Do not obstruct incoming or exhausted air.
- Provide an access for inspection and cleaning of the exhaust system, especially at turns and joints. Exhaust system shall be inspected and cleaned at least once a year.
- Remove and discard existing plastic or metal foil duct and replace with UL-listed duct.
- Remove any lint from the wall exhaust opening.

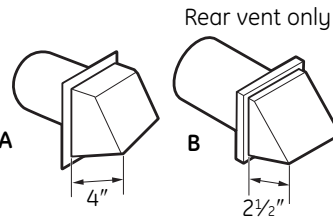


Installation Instructions

EXHAUST INFORMATION (CONT.)

EXHAUST DUCT LENGTH INFORMATION

- The MAXIMUM ALLOWABLE length of the exhaust system depends upon the type of duct, number of turns, the type of exhaust hood (wall cap) and all conditions noted below. More than three 90° turns are not recommended.



NUMBER OF 90° TURNS	EXHAUST HOOD TYPE		Maximum length of 4" diameter rigid metal duct
	A	B	
0	56 ft.	42 ft.	
1	46 ft.	36 ft.	
2	34 ft.	28 ft.	
3	32 ft.	18 ft.	

HOOD OR WALL CAP

- Terminate in a manner to prevent back drafts or entry of birds or other wildlife.
- Termination should present minimal resistance to the exhaust airflow and should require little or no maintenance to prevent clogging.
- Never install a screen over the exhaust duct.
- Wall caps must be installed at least 12" above ground level or any other obstruction with the opening pointed down.

TURNS OTHER THAN 90°

- One turn of 45° or less may be ignored.
- Two 45° turns should be treated as one 90°.

CONNECTING THE DRYER TO HOUSE VENT

Rigid Metal Transition Duct

- For best drying performance, a rigid metal transition duct is recommended.
- Rigid metal transition ducts reduce the risk of crushing and kinking.

UL-Listed Flexible Metal (Semi-Rigid) Transition Duct

- If rigid metal duct cannot be used, then UL-listed flexible metal (semi-rigid) ducting can be used (Kit WX08X10077).
- Never install flexible metal duct in walls, ceilings, floors or other enclosed spaces.
- Total length of flexible metal duct should not exceed 8 feet (2.4 m).
- For many applications, installing elbows at both the dryer and the wall is highly recommended. Elbows allow the dryer to sit close to the wall without kinking and or crushing the transition duct, maximizing drying performance.
- Avoid resting the duct on sharp objects.

CONNECTING THE DRYER TO HOUSE VENT (CONT.)

UL-Listed Flexible Metal (Foil-Type) Transition Duct

- In special installations, it may be necessary to connect the dryer to the house vent using a flexible metal (foil-type) duct. A UL-listed flexible metal (foil-type) duct may be used ONLY in installations where rigid metal or flexible metal (semi-rigid) ducting cannot be used AND where a 4" diameter can be maintained throughout the entire length of the transition duct.
- In Canada and the United States, only the flexible metal (foil-type) ducts that comply with the "Outline for Clothes Dryer Transition Duct, Subject 2158A" shall be used.
- Never install flexible metal duct in walls, ceilings, floors or other enclosed spaces.
- Total length of flexible metal duct should not exceed 8 feet (2.4 m).
- Avoid resting the duct on sharp objects.

For best drying performance:

- Slide one end of the duct over the clothes dryer outlet pipe.
- Secure the duct with a clamp.
- With the dryer in its permanent position, extend the duct to its full length. Allow 2" of duct to overlap the exhaust pipe. Cut off and remove excess duct. Keep the duct as straight as possible for maximum airflow.
- Secure the duct to the exhaust pipe with the other clamp.

SEALING OF JOINTS

- All joints should be tight to avoid leaks.

NOTE: The male end of each section of duct must point away from the dryer.

- Do not assemble ductwork with fasteners that extend into the duct. They will serve as a collection point for lint.
- Duct joints can be made air- and moisture-tight by wrapping the overlapped joints with duct tape.

INSULATION

- Ductwork that runs through an unheated area or is near an air conditioning duct should be insulated to reduce condensation and lint buildup.

PARTS AVAILABLE FROM LOCAL SERVICE ORGANIZATIONS

- Rigid Metal Duct Components
 - WX8X63 4" x 1' Duct
 - WX8X64 4" x 2' Duct
 - WX8X51 4" Elbow
 - WX8X59 4" Aluminum Hood
- Flexible Metal Duct Components
 - WX8X58 4" Clamps (2)
 - WX8X59 4" Aluminum Hood
 - WX08X10077 6' UL-Listed, Flexible Metal (Semi-Rigid) Duct, 2 Clamps, 2 Close Elbows

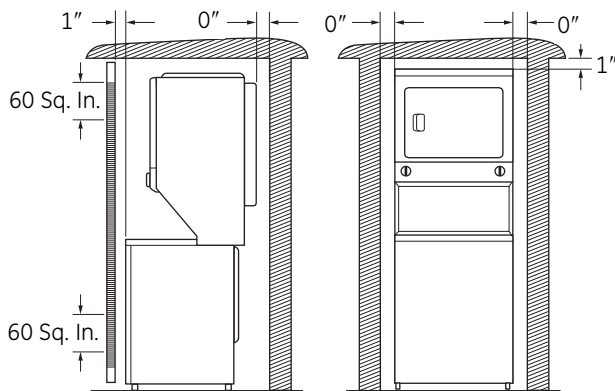
Installation Instructions

MOBILE HOME INSTALLATION

- Installation must conform to Manufactured Home Construction and Safety Standard, Title 24 CFR, Part 32-80.
- The dryer must be exhausted to the outside with the termination securely fastened to the mobile home structure.
- The exhaust MUST NOT be terminated beneath the mobile home.
- The exhaust MUST NOT be terminated beneath the mobile home.
- The exhaust duct material MUST NOT support combustion.
- For Electrical Connections see *CONNECTING APPLIANCE USING 4-WIRE CONNECTION*.

CONSIDERATION MUST BE GIVEN TO PROVIDE ADEQUATE CLEARANCES FOR INSTALLATION AND SERVICE.

ALCOVE OR CLOSET INSTALLATION



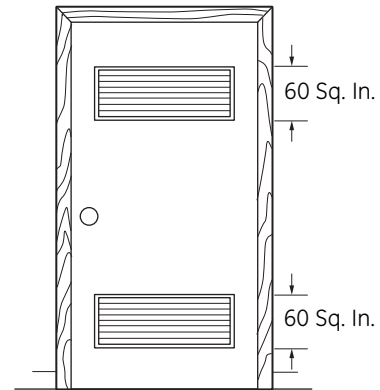
- If your dryer is approved for installation in an alcove or closet, it will be stated on a label on the back of the dryer.
- TO PREVENT LARGE AMOUNTS OF LINT AND MOISTURE FROM ACCUMULATING AND TO MAINTAIN DRYING EFFICIENCY, THIS MACHINE MUST BE EXHAUSTED OUTDOORS.
- DO NOT install this appliance with less than the minimum clearances shown above.

CONSIDERATION MUST BE GIVEN TO PROVIDE ADEQUATE CLEARANCES FOR INSTALLATION AND SERVICE.

⚠ CAUTION: DO NOT INSTALL THIS APPLIANCE IN A CLOSET WITH A SOLID DOOR.

DOOR VENTILATION OPENING

A minimum of 120 square inches of opening, equally divided at top and bottom, is required. Air openings are required to be unobstructed when a door is installed. A louvered door with equivalent air openings for the full length of the door is acceptable.



When louvers or registers are placed in door openings, the free air openings of the louvers or registers must equal 120 square inches.

MISCELLANEOUS REQUIREMENTS

LOCATION

- The appliance must be installed on firm flooring to minimize vibration during spin cycles. Concrete flooring is best, but wood base is sufficient, provided the floor support meets FHA standards.
- The appliance should not be installed on rugs or exposed to the weather.

INSIDE EXHAUSTING

- If the installation makes it possible to exhaust to the outside, there must be a clearance of 4" between the top of the appliance and the soffit.