

**OWNER'S OPERATION AND
INSTALLATION MANUAL
FOR MODELS
AGDV8, AGDV12, AGDV20**

**GRAVITY
DIRECT VENT
WALL FURNACE**

WARNING: If the information in this Manual is not followed exactly, a fire or explosion may result causing property damage, personal injury or loss of life.

Do not store or use gasoline or other flammable vapours and liquids in the vicinity of this or any other appliance.

WHAT TO DO IF YOU SMELL GAS

- Do not try to light any appliance.
- Do not touch any electrical switch; do not use any phone in your building.
- Immediately call your gas supplier from a neighbour's phone. Follow The gas supplier's instructions.
- If you cannot reach your gas Supplier, call the fire department.

Installation and service must be performed by a qualified installer, Service agency or the gas supplier.

This appliance may be installed in an aftermarket, permanently located, manufactured home (USA only) or mobile home, where not prohibited by local codes.

This appliance is only for use with the type of gas indicated on the rating plate. This appliance is not convertible for use with other gases, unless a certified kit is used.

INSTALLER: Leave this manual with the appliance.

CONSUMER: Retain this manual for future reference.

AVERTISSEMENT. Assurez-vous de bien suivre les instructions données dans cette notice pour réduire au minimum le risque d'incendie ou d'explosion ou pour éviter tout dommage matériel, toute blessure ou la mort.

Ne pas entreposer ni utiliser d'essence ni d'autres vapeurs ou liquides inflammables dans le voisinage de cet appareil ou de tout autre appareil.

QUE FAIRE SI VOUS SENTEZ UNE ODEUR DE GAZ:

- Ne pas tenter d'allumer d'appareils.
 - Ne touchez à aucun interrupteur. Ne pas vous servir des téléphones dans le bâtiment où vous vous trouvez.
 - Appelez immédiatement votre fournisseur de gaz depuis un voisin. Suivez les instructions du fournisseur.
 - Si vous ne pouvez rejoindre le fournisseur de gaz, appelez le service de incendies.
- L'installation et l'entretien doivent être assuré par un installateur ou un service d'entretien qualifié ou par le fournisseur de gaz.

Cet appareil peut être installé dans une maison préfabriquée (É.-U. Seulement) ou mobile déjà installée à demeure si les règlements locaux le permettent.

Cet appareil doit être utilisé uniquement avec le type de gaz indiqué sur la plaque signalétique. Cet appareil ne peut être converti à d'autres gaz, sauf si une trousse de conversion est utilisée.

INSTALLATEUR: Laissez cette notice avec l'appareil.

CONSOMMATEUR: Conservez cette notice pour consultation ultérieure.

CONTENT

Section	Page
Preface	1
Product Identification	2
Product Features	3
Installation	4-10
Gas Piping	11-12
Operation	12-14
Cleaning and Maintenance	14-15
Troubleshooting	16-18
Service and Maintenance	18
Parts List	19-23

This gas appliance must not be connected to a chimney flue serving a separate solid-fuel burning appliance.

IMPORTANT FOR YOUR SAFETY

- **Improper installation, adjustment, alteration, service, or maintenance can cause property damage, personal injury or loss of life. Refer to this manual.**
- **Installation and service must be performed by a qualified installer, service agency, or the gas supplier.**

Do not use this appliance if any part has been under water. Immediately call a qualified service technician to inspect the appliance and to replace any part of the control system and any gas control which has been under water.

Ne pas se servir de cet appareil s'il a été plongé dans l'eau, complètement ou en partie. Faire inspecter l'appareil par un technicien qualifié et remplacer toute partie du système de contrôle et toute commande qui ont été plongées dans l'eau.

PRODUCT IDENTIFICATION

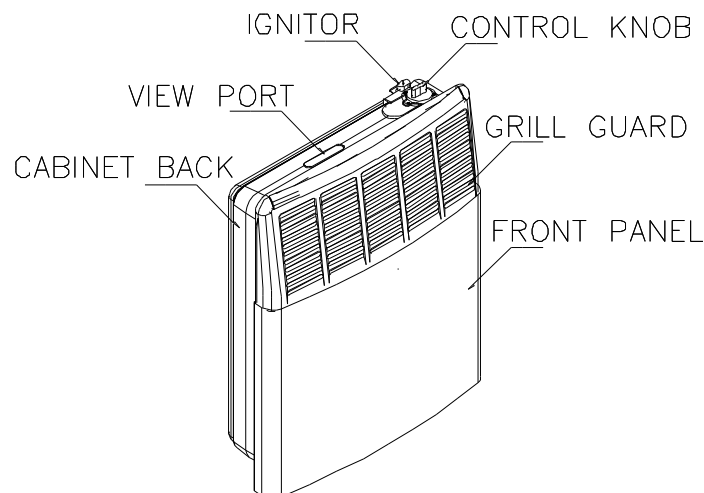


Figure 2

PRODUCT FEATURES

GAS SPECIFICATIONS

Model No.	Input Power Btu/Hr. / (kW)	Max. Gas Inlet Pres. In. W.C. / (mm. W.C.)	Min. Gas Inlet Pres.** In. W.C. / (mm. W.C.)	Pres. Reg. Settings In. W.C. / (mm. W.C.)	Valve Type
AGDV8N	8,000 / (2.32)	10,5 / (267)	4,5 / (114)	3,5 / (89)	Manual (COPRECI 18700)
AGDV8L	8,000 / (2.32)	14 / (355)	11 / (280)	10 / (254)	Manual (COPRECI 18700)
AGDV12N	11,000 / (3.20)	10,5 / (267)	6,4 / (162)	5,4 / (137)	Thermostatic (SIT 630)
AGDV12L	11,000 / (3.20)	14 / (355)	11 / (280)	10 / (254)	Thermostatic (SIT 630)
AGDV20N	17,000 / (4.94)	10,5 / (267)	4,5 / (114)	3,3 / (84)	Thermostatic (SIT 630)
AGDV20L	17,000 / (4.94)	14 / (355)	11 / (280)	10 / (254)	Thermostatic (SIT 630)

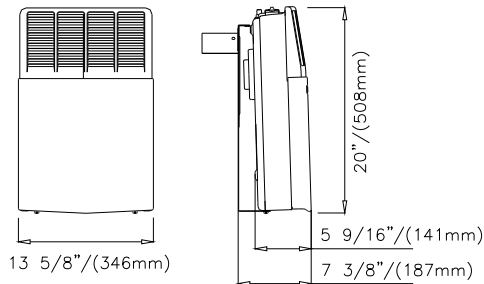
****NOTE:** Minimum Gas Inlet Pressure for purpose of input adjustment.

The efficiency rating of the appliance is a product thermal efficiency rating determined under continuous operating conditions and was determined independently of any installed system.

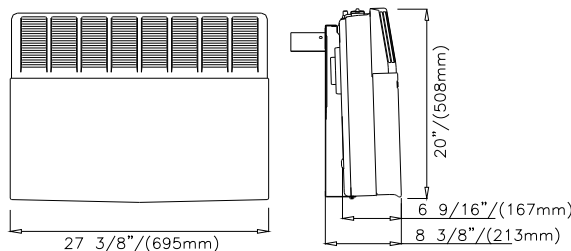
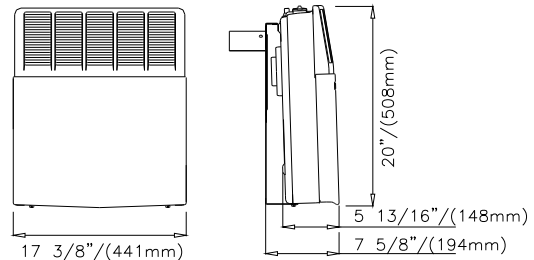
UNIT SPECIFICATIONS

Model No.	Dimensions Inch / (mm)	Weight Lbs. / (kg.)	Type of Burner	No. of Burners	Ignition	Standard Heating Space Square Feet / (m ²)
AGDV8N AGDV8L	Height: 20 / (508) Width: 13 5/8 / (346) Depth: 7 3/8 / (187)	27 / (12.2)	Atmospheric	1	Piezo- electric ignitor	200 / (18.6)
AGDV12N AGDV12L	Height: 20 / (508) Width: 17 3/8 / (441) Depth: 7 5/8 / (194)	33.7 / (15.3)	Atmospheric	1	Piezo- electric ignitor	275 / (25.6)
AGDV20N AGDV20L	Height: 20 / (508) Width: 27 3/8 / (695) Depth: 8 3/8 / (213)	48.7 / (22.1)	Atmospheric	2	Piezo- electric ignitor	425 / (39.5)

Model AGDV8



Model AGDV12



Model AGDV20

PRODUCT FEATURES (CONTINUED)

NOTICE

A qualified service person must install the heater. Follow all local codes.

CHECK GAS TYPE

Use only the type of gas indicated on the rating plate.

INSTALLATION

INSTALLATION ITEMS

Before installing heater, make sure you have the items listed below.

- Piping (check local codes)
- Sealant (resistant to propane gas)
- Manual shutoff valve
- Ground joint union
- Test gauge connection
- Sediment trap
- Tee joint
- Pipe wrench

The installation location shall provide the following;
A) adequate combustion and ventilation air, and
B) adequate accessibility clearances for servicing.

MINIMUM CLEARANCE FROM COMBUSTIBLE CONSTRUCTION

Rear.....	0 Inches/0mm (to bracket)
Sides.....	6 Inches/152mm
Top.....	36 Inches/914mm
Floor.....	6 Inches/152mm (to top of carpeting, tile, etc.)

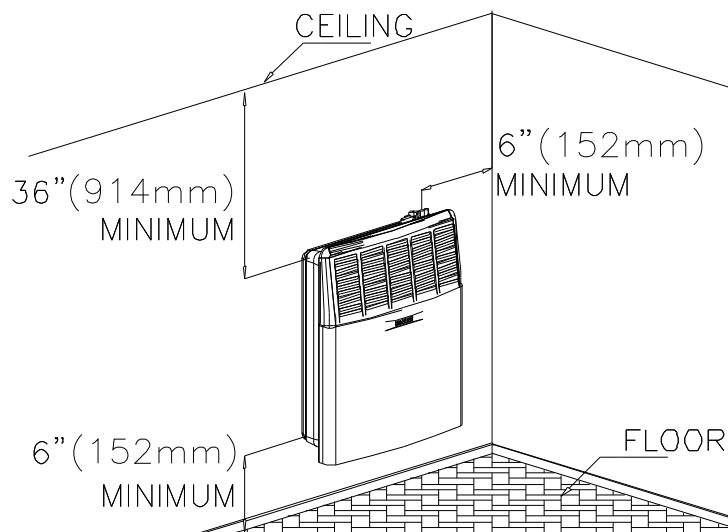
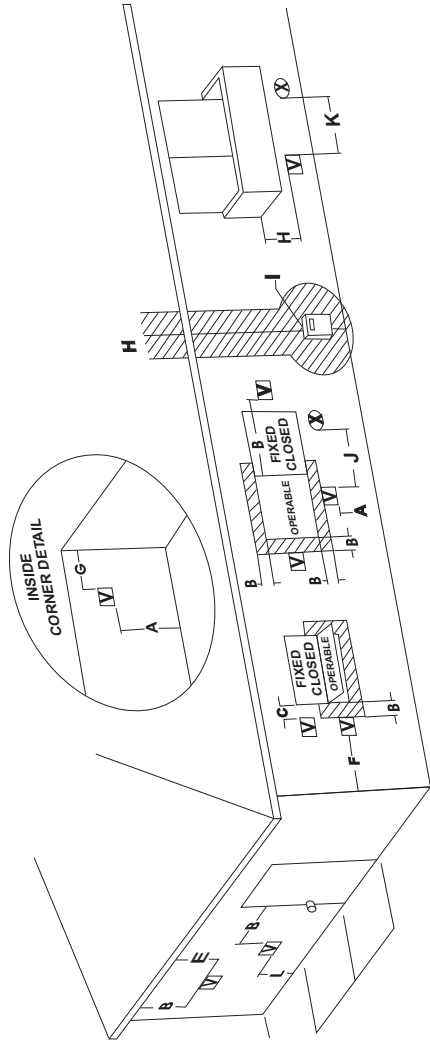


Figure 4



VENT TERMINAL **AREA WHERE TERMINAL IS NOT PERMITTED**

AIR SUPPLY INLET

	Canadian Installations ¹	US Installations ²	Canadian Installations ¹	US Installations ²
A= Clearance above grade, veranda, porch, deck, or balcony	12 inches (30 cm)	12 inches (30 cm)	J= Clearance to nonmechanical air supply inlet to building or the combustion air inlet to any other appliance	6 inches (15 cm.) for appliances ≤ 10,000 Btuh (3 kW), 12 inches (30 cm) for appliances > 10,000 Btuh (3 kW) and ≤ 100,000 Btuh (15 kW), 36 inches (91 cm) for appliances > 100,000 Btuh (30 kW)
B= Clearance to window or door that may be opened	6 inches (15 cm) for appliances ≤ 10,000 Btuh (3 kW), 12 inches (30 cm) for appliances > 10,000 Btuh (3 kW) and ≤ 50,000 Btuh (15 kW), 36 inches (91 cm) for appliances > 50,000 Btuh (30 kW)	6 inches (15 cm), for appliances ≤ 10,000 Btuh (3 kW), 9 inches (23 cm) for appliances > 10,000 Btuh (3 kW) and ≤ 50,000 Btuh (15 kW), 12 inches (30 cm) for appliances > 50,000 Btuh (15 kW)	K= Clearance to a mechanical air supply inlet	3 feet (91 cm) above if within 10 feet (3 m) horizontally
C= Clearance to permanently closed window	*	*	L= Clearance above paved sidewalk or paved driveway located on public property	7 feet (2.13 m)†
D= Vertical clearance to ventilated soffit located above the terminal within a horizontal distance of 2 feet (61 cm) from the center line of the terminal	*	*	M= Clearance under veranda, porch, deck, or balcony	12 inches (30 cm) ‡
E= Clearance to unventilated soffit	*	*		
F= Clearance to outside corner	*	*		
G= Clearance to inside corner	*	*		
H= To each side of the center line extended above meter/regulator assembly	3 feet (91 cm) within a height 15 feet (4.5 m) above the meter/regulator assembly			
I= Clearance to service regulator vent outlet	3 feet (91 cm)	*		

- 1 In accordance with the current CSA B149.1, National Gas and Propane Installation Code
- 2 In accordance with the current ANSI Z223.1/NFPA 54, National Fuel Gas Code
- † A vent shall not terminate directly above a sidewalk or paved driveway that is located between two single family dwellings and serves both dwellings.
- ‡ Permitted only if veranda, porch, deck, or balcony is fully open on a minimum of two sides beneath the floor.
- * For clearances not specified in ANSI Z223.1/NFPA 54 or CSA B149.1: "Clearance in accordance with local installation codes and the requirements of the gas supplier."

Vent Terminal Clearances

INSTALLATION (CONTINUED)

This appliance may be installed in an aftermarket, permanently located, manufactured home (USA only) or mobile home, where not prohibited by local codes.

This appliance is only for use with the type of gas indicated on the rating plate. This appliance is not convertible for use with other gases, unless a certified kit is used.

IMPORTANT: This appliance should only be installed by a qualified installer.

The installation must conform with local codes or, in the absence of local codes, with the *National Fuel Gas Code, ANSI Z223.1/NFPA 54, Natural Gas and Propane Installation Code, CSA B149.1*.

Installer l'appareil selon les codes ou règlements locaux, ou en l'absence de tels règlements, selon les codes d'installation *Code d'installation du gaz naturel et du propane, CSA B149.1*.

IMPORTANT

- The appliance area must be kept clear and free from combustible materials, gasoline, and other flammable vapors and liquids.
- Due to high temperatures, the appliance should be located out of traffic and away from furniture and draperies.
- Children and adults should be alerted to the hazards of high surface temperature and should stay away to avoid burns or clothing ignition.
- Young children should be carefully supervised when they are in the same room as the appliance.
- Clothing or other flammable material should not be placed on or near the appliance.
- Any safety screen or guard removed for servicing an appliance must be replaced prior to operating the appliance.

Installation and repair should be done by a qualified service person. The appliance should be inspected before use and at least annually by a qualified service person. More frequent cleaning may be required due to excessive lint from carpeting, bedding material, etc. It is imperative that control compartments, burners and circulating air passageways of the appliance be kept clean.

WARNING: Failure to position the parts in accordance with these diagrams, or failure to use only parts specifically approved with this appliance may result in property damage or personal injury.
AVERTISSEMENT: Risque de dommages ou de blessures si les pièces ne sont pas installées conformément à ces schémas et ou si des pièces autres que celles spécifiquement approuvées avec cet appareil sont utilisées.

INSTALLING THE APPLIANCE

Separate the hanging bracket from the appliance by removing two screws on the top and two nuts at the bottom.

INSTALLING THE HANGING BRACKET ON A NON-COMBUSTIBLE WALL (i.e., MASONRY BLOCK OR CONCRETE)

1. Draw the position of the hole for the air-vent intake pipe, taking into account the minimum clearances mentioned in figure 4. See diameter of the hole "D" and height to the center "C" in table 1 and figure 5 for the different models. Height "C" is the minimum recommended.

INSTALLATION (CONTINUED)

TABLE 1

MODEL	C	D
AGDV8N - AGDV8L	19 1/2" (495 mm)	6 3/4" (172 mm)
AGDV12N - AGDV12L	19 1/2" (495 mm)	7 3/4" (197 mm)
AGDV20N - AGDV20L	19" (483 mm)	8 3/4" (222 mm)

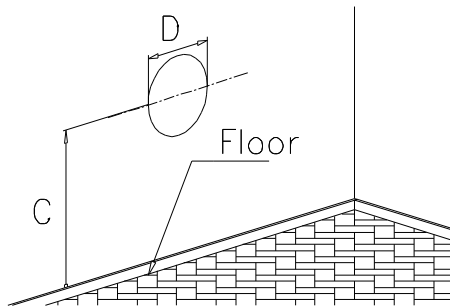


Figure 5

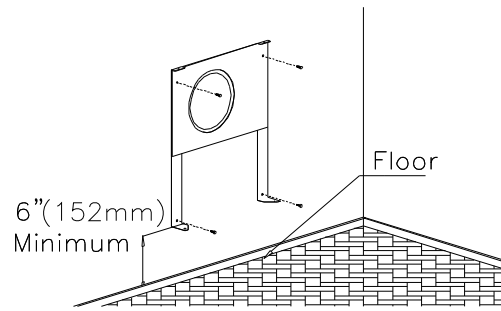


Figure 6

2. Drill through the wall according to measurements and positions indicated.
3. Place hanging bracket over the hole. After leveling the hanging bracket, mark the four holes as shown in figure 6.
4. Remove the hanging bracket and drill the four holes.
5. Insert in each hole the anchors provided.
6. Place back the hanging bracket and fix it with four screws.

INSTALLING THE HANGING BRACKET ON A WOODEN WALL

1. Taking into account the minimum clearances mentioned in figure 4, locate the closest wall stud (which will serve to hold the appliance) and mark the hole center at a distance "A", (if wall stud is at the right), or "B", (if the stud is at the left). See table 2 and figures 7 and 8.
2. Draw the position of the vent-air intake pipe. See diameter of the hole "D" and height to the center "C" in table 2 for the different models. Height "C" is the minimum recommended.

TABLE 2

MODEL	A	B	C	D
AGDV8N - AGDV8L	5 9/16" (141 mm)	3 31/32" (101 mm)	19 1/2" (495 mm)	6 3/4" (172 mm)
AGDV12N - AGDV12L	7 13/16" (198 mm)	5 7/16" (138 mm)	19 1/2" (495 mm)	7 3/4" (197 mm)
AGDV20N - AGDV20L	13 11/64" (335 mm)	10 7/8" (276 mm)	19" (483 mm)	8 3/4" (222 mm)

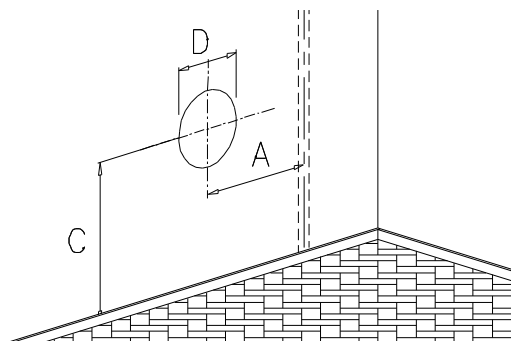


Figure 7

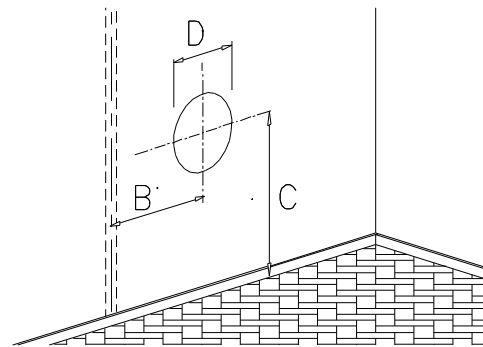


Figure 8

INSTALLATION (CONTINUED)

1. Drill through the wall according to measurements and positions indicated.
2. Place wall bracket over the hole. After leveling the hanging bracket, mark the four holes as shown in figures 9 and 10.

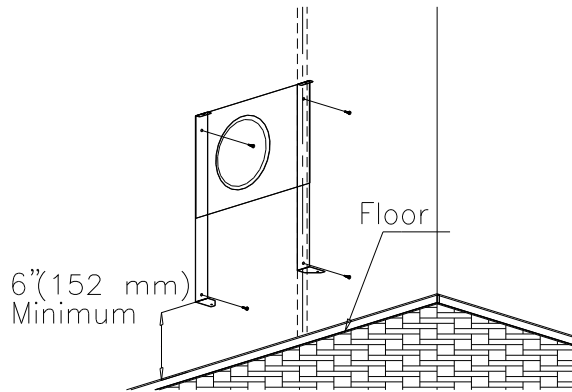


Figure 9

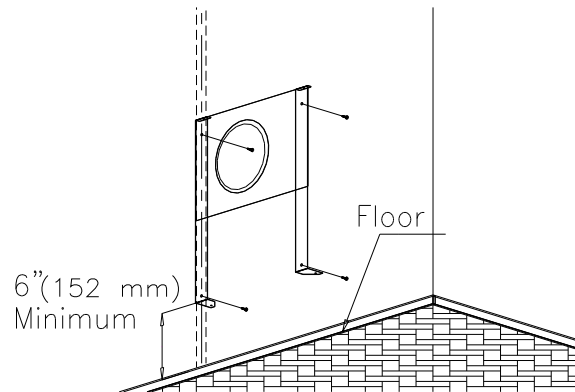


Figure 10

5. Remove the hanging bracket and drill the four holes.
6. Insert in each hole the anchors provided.
7. Place back the hanging bracket and fix it with four screws.

MOUNTING THE HEATER ON HANGING BRACKET

Place the heater on the hanging bracket and fix it with its screws. (See Figure 11 and 12).

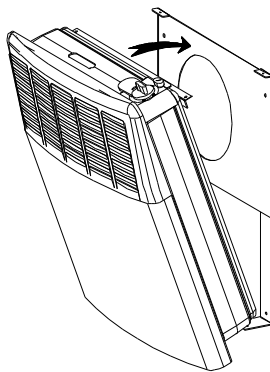


Figure 11

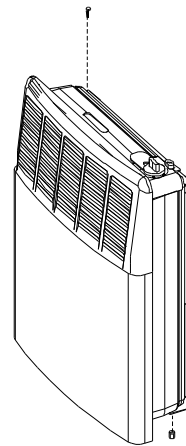


Figure 12

ATTENTION:
THE ATTACHED SET
OF THREE MARKING
PLATES (RATING
PLATE, OPERATION
INSTRUCTIONS, AND
SAFETY PLATE) MUST
NOT BE REMOVED
FROM THE
APPLIANCE AT ANY
TIME.

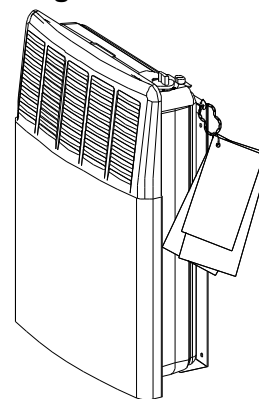


Figure 13

INSTALLATION (CONTINUED)

INSTALLING THE VENTING SYSTEM

These models of wall furnaces are designed for direct venting through a wall. Only venting components specifically approved for these furnaces may be used. The flow of combustion gases and ventilation air must not be obstructed. Minimum clearance between pipes and combustible materials is one (1) inch (25.4 mm).
Vent terminal must be 18.0" away from an adjacent wall.
Minimum clearance between vent cap and combustible material 1 3/4".

IMPORTANT: The appliance's venting system should be inspected at least once a year and immediately cleaned if necessary.

IMPORTANT: THE VENT-AIR INTAKE SYSTEM MUST BE PROPERLY INSTALLED TO INSURE PROPER AND SAFE OPERATION. THE VENT-AIR INTAKE SYSTEM MUST ALSO BE PROPERLY RE-INSTALLED AND RE-SEALED TO INSURE PROPER AND SAFE OPERATION.

Warning: Failure to position the parts in accordance with these diagrams or failure to use only parts specifically approved with this appliance may result in property damage or personal injury.
Avertissement: Risque de dommages ou de blessures si les pièces ne sont pas installées conformément à ces schémas et ou si des pièces autres que celles spécifiquement approuvées avec cet appareil sont utilisées.

CAUTION: ALL JOINTS MUST BE AIR-TIGHT.

The venting system consists of: one injected-aluminum cap (A), one vent pipe (B), one vent-air intake pipe (C), one rod (D), one nut (E), one outdoor mounting plate (F) and one silicon-rubber ring (G). (See figure 14).

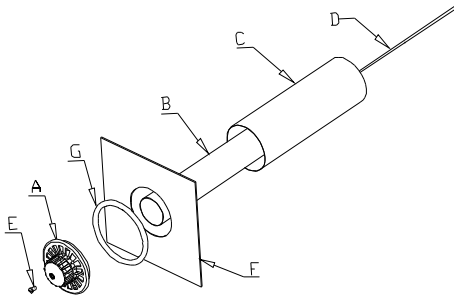


Figure 14

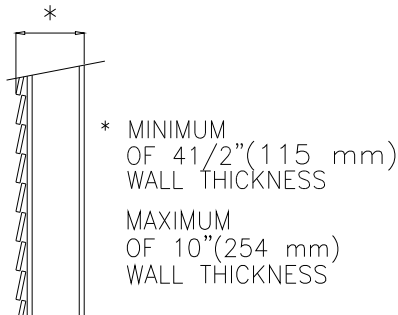


Figure 15

1. Measure thickness of the wall as shown in figure 15.
2. If pipes (B), (C) and the rod are long, trim them according to thickness of the wall, as shown in the following table.

TABLE 3

Lengths of pipes and rod.

vent pipe (B)	vent-air intake pipe (C)	Rod (D)
wall thickness	wall thickness	wall thickness
+ 3 3/8" (86 mm)	+ 2 1/2" (64 mm)	+ 5 7/8" (149.5mm)

3. The hole at the outside of the wall must be a square of 11 1/2" (290 mm) x 11 1/2" (290 mm). (See figure 17).
4. From the outside of the wall, screw the rod slightly onto support located inside the appliance flue outlet.
5. Slide pipes (B) and (C) through the hole in the wall, and connect them to the appliance flue outlet and air intake, respectively.
6. The outdoor mounting plate and the silicon-rubber ring should be installed between the vent cap and the exterior wall. The plate must be positioned flush to the wall and with its standoffs inserted into the wall and sealed with a non-hardening mastic (silicone caulk). (See figure 17).
Position the outdoor mounting plate so that the vent-air intake pipe has a slight downward slope to the outside. **The downward slope is necessary to prevent the entry of rainwater.**

INSTALLATION (CONTINUED)

7. Before attaching the vent cap to the exterior wall, run a bead of non-hardening mastic (silicone caulk) around its outside edge, so as to make a seal between it and the plate. (See figure 17).
8. Place cap and screw nut "E", until cap leans against the plate. (See figures 16 and 17).

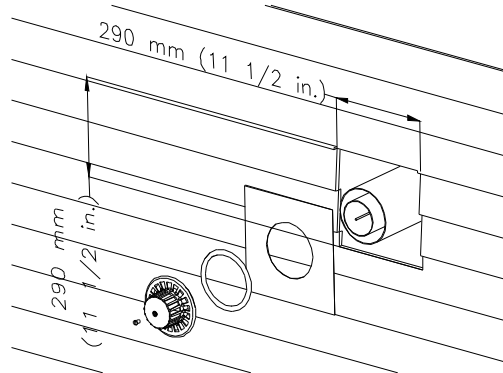


Figure 16

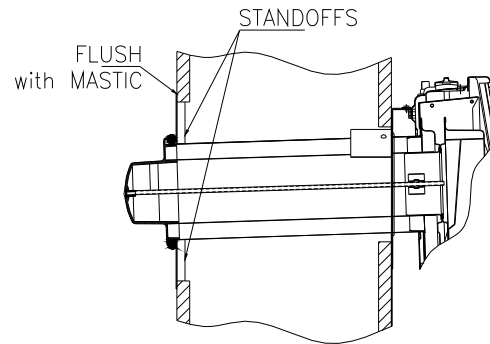


Figure 17

INSTALLING THE THERMOSTAT SENSOR (MODELS AGDV12 AND AGDV20)

In order to protect the thermostat sensor from any damage during shipping, or while handling it before it is definitely installed, the thermostat sensor has not been attached to its final location in the appliance. So, once the heater is installed, the thermostat sensor must be placed and secured in position. To do so, follow these steps:

1. Separate the front panel of the appliance by removing the two nuts in the bottom and sliding it up as shown in figure 18.
2. Place the thermostat sensor under the right bottom of the bracket and fix it with the same nut that fixes the appliance to bracket as shown in figures 19 and 20

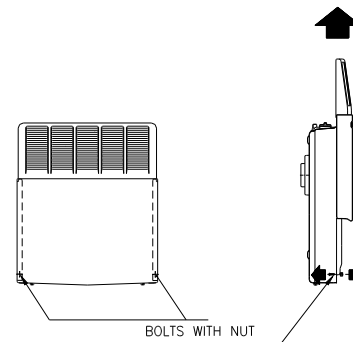


Figure 18

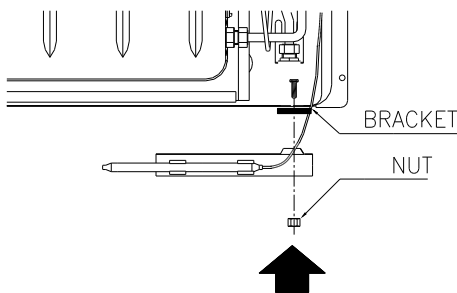


Figure 19

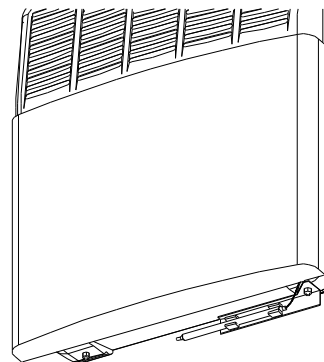


Figure 20

GAS PIPING

Gas Connection

- 1) We recommend using only new black iron or steel pipe. CHECK LOCAL CODES.
- 2) The gas supply line shall be sized and installed to provide a sufficient supply of gas to meet the maximum demand of the heater without undue loss of pressure.
- 3) The sealant used on the threaded joints of the gas pipe must be a type resistant to the action of L.P.Gas. (This sealant should be applied lightly to main threads to ensure excess sealant does not enter lines.)
- 4) The supply system must include a manual shut off valve and connection in the line, so the heater can be disconnected for servicing. (See Figure 21).
- 5) Include a drip leg (trap) and a plugged 1/8" N.P.T. tapping in the line. The tapping should be accessible for test gauge connections upstream of the gas supply connection to the heater.

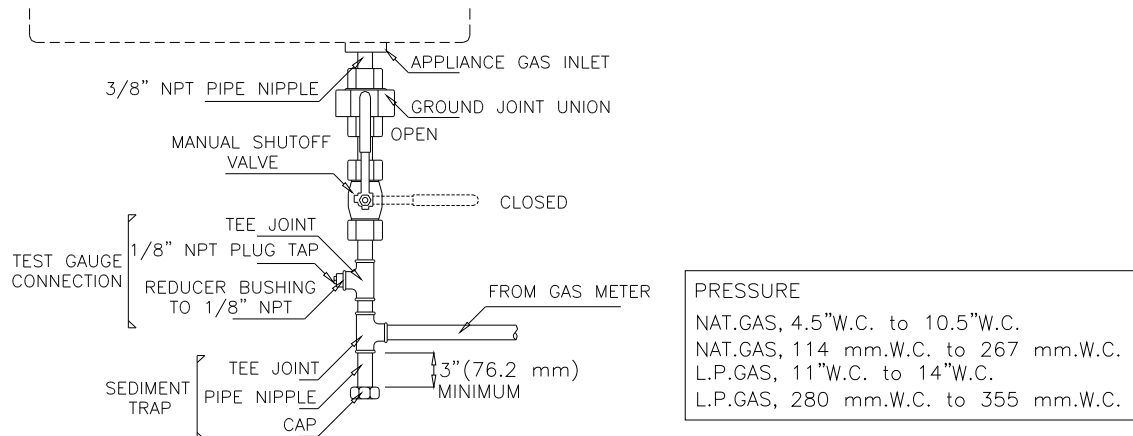


Figure 21

WARNING: For L.P.Gas, use **PRESSURE REGULATED** gas supply. Do not directly connect LP supply tank to the pressure regulator on the heater. The LP supply tank must have its own separate pressure regulator that can reduce the supply tank gas pressure down to a maximum of 14 inches (355 mm) of water column pressure.

IMPORTANT: Hold the gas inlet of the appliance with wrench when connecting it to gas piping and/or fittings.

CHECK AFTER GAS CONNECTION

WARNING: All gas piping and connections must be tested for leaks after installation or servicing. All leaks must be corrected immediately.

1. Make sure the control of the heater is in the "OFF" position.
2. Open the manual shut off valve. Test for leaks by applying liquid detergent to all joints. Check all joints from gas meter to thermostat gas valve. (Bubbles forming indicate a gas leak)
3. Correct any leak defect at once.

GAS PIPING (CONTINUED)

CAUTION: NEVER USE AN OPEN FLAME TO CHECK FOR LEAKS

Pressure testing supply line

ATTENTION: This appliance and its appliance main gas valve must be disconnected from the gas supply piping system during any pressure testing of that system at test pressures in excess of ½ psi (3,5 kPa).

The appliance must be isolated from the gas supply piping system by closing equipment shutoff valve during any pressure testing of the gas supply piping system at test pressures equal to or less than ½ psi (3,5 kPa).

OPERATION

Read the following instructions carefully (you can also find them on the plates attached to the heater back):

Lisez attentivement les instructions suivantes (vous les trouverez aussi les plaques jointes sur la partie derrière de l'appareil).

FOR YOUR SAFETY READ BEFORE LIGHTING

WARNING: If you do not follow these instructions exactly, a fire or explosion may result causing property damage, personal injury or loss of life.

- A. This appliance has a pilot which must be lighted by hand. When lighting the pilot, follow these instructions exactly.
- B. BEFORE LIGHTING smell all around the appliance area for gas. Be sure to smell next to the floor because some gas is heavier than air and will settle on the floor.
- WHAT TO DO IF YOU SMELL GAS
Do not try to light any appliance.
Do not touch any electric switch; do not use any phone in your building.
Immediately call your gas supplier from a neighbor's phone. Follow the gas supplier's instructions.
- If you cannot reach your gas supplier, call the fire department.
- C. Use only your hand to push in or turn the gas control knob. Never use tools. If the knob will not push in or turn by hand, don't try to repair it, call a qualified service technician. Force or attempted repair may result in a fire or explosion.
- D. Do not use this appliance if any part has been under water. Immediately call a qualified service technician to inspect the appliance and to replace any part of the control system and any gas control which has been under water.

LIRE AVANT D'ALLUMER

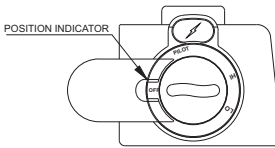
AVERTISSEMENT: Quiconque ne respecte pas à la lettre les instructions dans le présent manuel risque de déclencher un incendie ou une explosion entraînant des dommages matériels, des lésions corporelles ou la perte de vies humaines.

- A. Cet appareil est muni d'une veilleuse qui doit être allumée manuellement. Respecter les instructions ci-dessous à la lettre.
- B. Avant d'allumer la veilleuse, renifler tout autour de l'appareil pour détecter une odeur de gaz. Renifler près du plancher, car certains gaz sont plus lourds que l'air et peuvent s'accumuler au niveau du sol.
- QUE FAIRE S'IL Y A UNE ODEUR DE GAZ:
· Ne pas tenter d'allumer l'appareil.
· Ne touchez aucun interrupteur électrique; n'utiliser aucun téléphone dans bâtiment.
· Appeler immédiatement le fournisseur de gaz en employant le téléphone d'un voisin.
· Respecter à la lettre les instructions du fournisseur de gaz.
- Si personne ne répond, appeler le service des incendies.
- C. Ne pousser ou tourner la manette d'admission du gaz qu'à la main; ne jamais employer d'outil à cet effet. Si la manette reste coincée, ne pas tenter de la réparer; appeler un technicien qualifié. Quiconque tente de forcer la manette ou de la réparer peut déclencher une explosion ou un incendie.
- D. Ne pas se servir de cet appareil s'il a été plongé dans l'eau, complètement ou en partie. Appeler un technicien qualifié pour inspecter l'appareil et remplacer toute partie du système de contrôle et commande qui ont été plongés dans l'eau.

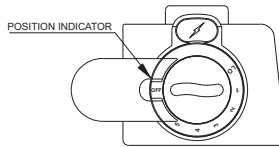
OPERATION (CONTINUED)

LIGHTING INSTRUCTIONS

1. STOP! Read the safety information on the attached plate.
2. Check that gas supply to heater is on.
3. Set the thermostat to the lowest setting. (If applicable).
4. Push in gas control knob slightly and turn clockwise ↻ to "OFF" position. Do not force.



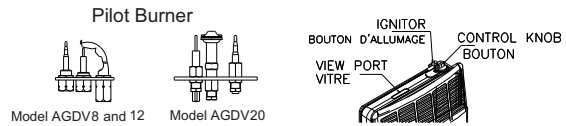
Model AGDV8



Model AGDV12 and 20

NOTE: Knob cannot be turned from "PILOT" to "OFF" unless knob is pushed in slightly. Do not force.

5. Wait five (5) minutes to clear out any gas. If you then smell gas, STOP! Follow "B" in the safety information above this label. If you don't smell gas, go to the next step.
6. Find pilot. The pilot can be seen through the view port on the top of the appliance.



Model AGDV8 and 12 Model AGDV20

7. Turn gas control knob counterclockwise ↻ to "PILOT".

Keep control knob depressed and continuously push the white piezo button. This should cause the spark from the ignitor to light the pilot gas. Keep control knob depressed for ten (10) seconds before releasing. If Pilot does not light, repeat step 6.

NOTE: It may be necessary to press for thirty (30) seconds if this is first time heater is connected to the gas supply.

If the knob does not pop up when released, stop and immediately call your service technician or gas supplier.
If the pilot will not stay lit after several tries, turn the gas control knob to "OFF" and call your service technician or gas supplier.

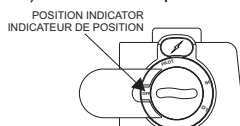
8. When pilot is lit, turn the control knob counterclockwise ↻ to desired heating level.
9. Set thermostat to desired setting. (If applicable).

TO TURN OFF GAS TO APPLIANCE

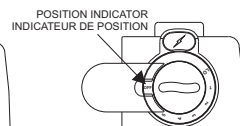
1. Set thermostat to lowest setting. (If applicable).
2. Turn control knob clockwise ↻ to the "OFF" position. Do not Force.
CAUTION: Wait five (5) minutes before re-lighting heater.

ALLUMAGE

1. ARRÊTER! Lisez les instructions de sécurité sur la portion supérieure de cette étiquette.
2. Vérifiez que la fourniture de gaz à l'appareil de chauffage soit ouverte.
3. Réglez le thermostat à la température la plus basse.
4. Appuyez doucement sur le bouton et tournez-le en direction des aiguilles d'une montre ↻ jusqu'à la position "OFF" (Fermée). Ne la forcez pas.



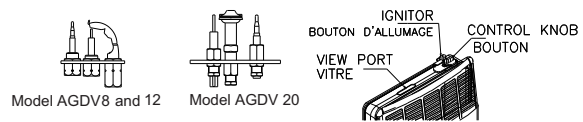
Model AGDV8



Model AGDV12 and 20

NB: On ne peut tourner le bouton depuis la position "PILOT" (Veilleuse) jusqu'à la position "OFF" (Fermée) que si l'on appuie doucement. Ne la forcez pas.

5. Attendez cinq (5) minutes pour laisser échapper tout le gaz. Reniflez tout autour de l'appareil, y compris près du plancher, pour détecter une odeur de gaz. Si c'est le cas, ARRÊTER! Passer à l'étape B des instructions de sécurité sur la portion supérieure de cette étiquette. S'il n'y a pas d'odeur de gaz, passer à l'étape suivante.
6. Trouvez la veilleuse : elle peut être vue à travers la petite vitre sur la partie supérieure de l'appareil.



Model AGDV8 and 12 Model AGDV20

7. Tournez le bouton en direction contraire aux aiguilles d'une montre ↻ jusqu'à la position "PILOT" (Veilleuse). Appuyez sur le bouton d'allumage.

Ceci doit provoquer l'étincelle qui va allumer le gaz de la veilleuse.

Continuez à appuyer sur le bouton pendant dix secondes. Si la veilleuse ne s'allume pas, répétez le pas No. 6.

NB: Si c'est la première fois que le chauffage est connecté au réseau de gaz, il peut être nécessaire d'appuyer sur le bouton pendant trente secondes.

Si la manette ne se soulève pas d'elle-même lorsqu'on la relâche, arrêtez et appelez immédiatement un technicien qualifié ou le fournisseur de gaz.

Si la veilleuse ne reste pas allumée après plusieurs tentatives, réglez la manette d'admission du gaz à la position OFF et appelez un technicien qualifié ou le fournisseur de gaz.

8. Quand la veilleuse est allumée, touchez le bouton dans le sens contraire aux aiguilles d'une montre ↻ jusqu'à la position désirée.
9. Réglez le thermostat à la température désirée.

POUR COUPER L'ADMISSEMENT DE GAZ DE L'APPAREIL

1. Réglez le thermostat à la température la plus basse.
2. Tournez le bouton dans la direction des aiguilles d'une montre ↻ jusqu'à la position "OFF" (Fermée).
ATTENTION: Attendez cinq (5) minutes avant de rallumer l'appareil.

OPERATION (CONTINUED)

CAUTION

Do not try to adjust heating levels by using the manual shutoff valve.

IMPORTANT

- Do not dry clothes over the heater.
- Do not spray any aerosol near the heater when functioning. Do not store these elements near the appliance.
- Do not touch grill to avoid burns.
- Avoid blocking air inlet and hot air outlet.
- Do not spill water over the heater as it may cause corrosion or damage.
- Do not touch vent cap while heater is operating, to avoid burns.
- If you smell gas, shut off control valve, open doors and windows and do not light any electrical fixture near the heater. Call your Gas Supplier.

NOTE: It is normal for the new wall furnace to give some odor the first time it is burned. This is due to the curing of the paint and any undetected oil from the manufacturing process. It is recommended to burn a new wall furnace for at least two (2) hours the first time that it is used.

CLEANING AND MAINTENANCE

WARNING

Turn off heater and let cool before cleaning.

CAUTION

You must keep control areas and circulating air passageways of heater clean. Inspect these areas of heater before each use. Have heater inspected yearly by a qualified service person. Heater may need more frequent cleaning due to excessive lint from carpeting, bedding material, etc.

Verify proper operation after servicing.

S'assurer que l'appareil fonctionne adéquatement une fois l'entretien terminé.

CABINET

Exterior

Use a soft cloth dampened with a mild soap and water mixture. Wipe the cabinet to remove dust.

Air Passageways

Use a vacuum cleaner or pressurized air to clean.

Vent Cap

Use a vacuum cleaner or pressurized air to clean.

Pilot and Burner

Periodically visually check the pilot and burner flames.
(View flames through view port)

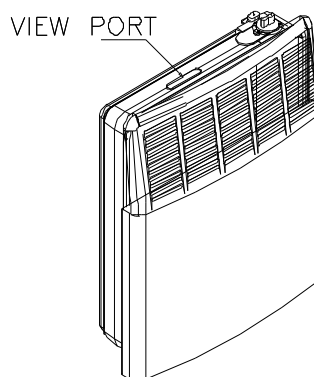


Fig. 22

The correct flame pattern should be viewed by looking through the view port on top of the unit (Fig. 22). The correct flame pattern of pilot and main burner are shown in figures 23, 24, 25 and 26.

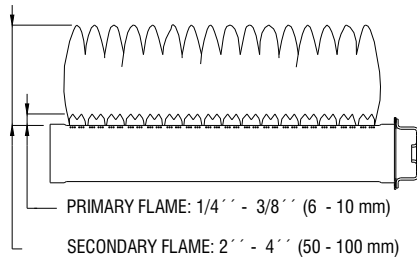
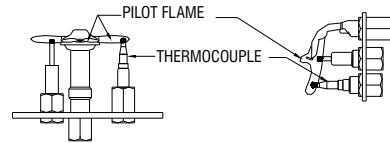


Fig. 23
Correct main burner flame pattern



Model AGDV20

Models
AGDV8 and 12

Fig. 24
Correct pilot burner flame pattern

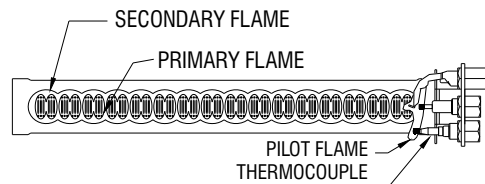


Fig. 25
Correct main burner flame pattern (top view)
Models AGDV8 and 12

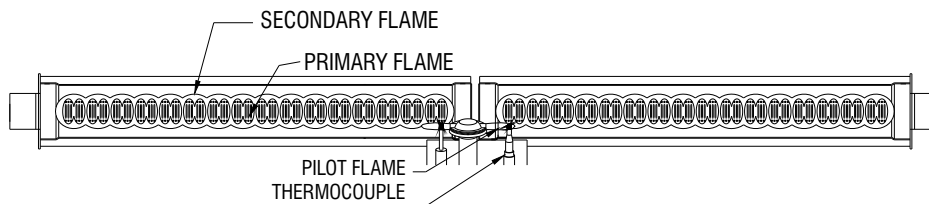


Fig. 26
Correct main burner flame pattern (top view)
Model AGDV20

Cleaning the Main Burner Orifice and Main Burner

1. Turn OFF gas supply to the heater.
2. Remove casing assembly.
3. Disconnect burner tubing and remove orifice holder.
4. Apply compressed air the orifice holder assembly to remove dust, lint or spider webs.
5. Apply compressed air through the hole on the combustion chamber wall where the orifice holder was originally located to remove dust, lint or spider webs.
6. As parts are being replaced in reverse order, check for gas leaks at all gas connections before replacing the casing assembly.

TROUBLESHOOTING

WARNING

Turn off heater and let cool before servicing. Only a qualified service person should service and repair heater.

OBSERVED PROBLEM	POSSIBLE CAUSE	REMEDY
When ignitor button is pressed, there is no spark at pilot.	1) Ignitor electrode broken.	1) Replace ignitor electrode.
	2) Ignitor electrode not connected to ignitor cable	2) Reconnect ignitor cable.
	3) Ignitor cable pinched or wet.	3) Free ignitor cable if pinched by any metal or tubing. Keep ignitor cable dry.
	4) Broken ignitor cable.	4) Replace ignitor cable.
	5) Bad piezo ignitor.	5) Replace piezo ignitor.
When ignitor button is pressed, there is spark at pilot but no ignition.	1) Gas supply is turned off or manual shutoff valve closed.	1) Turn on gas supply or open manual shutoff valve.
	2) Control knob not in PILOT position.	2) Turn control knob to PILOT position.
	3) Control knob not pressed in while in pilot position.	3) Press in control knob while in PILOT position.
	4) Air in gas lines when installed.	4) Continue holding down control knob. Repeat igniting operation until air is removed.
	5) Pilot is clogged.	5) Clean pilot orifice or replace pilot assembly.
	6) Gas regulator setting not correct.	6) Replace gas regulator.
Pilot lights but flame goes out when control knob is released.	1) Control knob not fully pressed in.	1) Press in control knob fully.
	2) Control knob not depressed long enough.	2) After pilot lights, keep control knob pressed in 30 seconds.
	3) Manual shutoff valve not fully open.	3) Fully open manual shutoff valve.
	4) Thermocouple connection looses at control valve.	4) Hand tighten until snug, then tighten ¼ turn more.
	5) Pilot flame not touching thermocouple, which allows couple to cool, causing pilot flame to go out. This problem could be caused by one or both of the following: <ul style="list-style-type: none"> • Low gas pressure. • Dirty or partially clogged pilot. 	5) a) Contact local gas company. b) Clean pilot or replace pilot assembly.
	6) Thermocouple damaged.	6) Replace thermocouple.
	7) Control valve damaged.	7) Replace control valve.

TROUBLESHOOTING (CONTINUED)

Burner does not light after pilot is lit.	1) Burner orifice is clogged.	1) Clean burner orifice or replace burner orifice.
	2) Burner orifice diameter is too small.	2) Replace burner orifice.
	3) Inlet gas pressure is too low.	3) Contact local Gas Company.
Delayed ignition of burner.	1) Manifold pressure is too low.	1) Contact local Gas Company.
	2) Burner or pilot orifice is clogged.	2) Clean burner or pilot orifice or replace it.
Burner backfiring during combustion.	1) Burner orifice is clogged or damaged.	1) Clean burner orifice or replace it.
	2) Gas regulator defective.	2) Replace gas regulator.
Yellow flame during burner combustion.	1) Inlet pipe is blocked.	1) Remove the blockage.
	2) Incorrect connections of pipes.	2) Connect pipes according to installation instructions.
	3) Gas regulator defective	3) Replace gas regulator.
Slight smoke or odor during initial operation.	1) Residues from manufacturing processes.	1) Problem will stop after a while of operation.
Heater produces a whistling noise when burner is lit.	1) Turning control knob to HI position when burner is cold.	1) Turn control knob to LO position and let warm up for a minute.
	2) Air in gas line.	2) Operate burner until air is removed from line. Have gas line checked by local Gas Company.
	3) Dirty or partially clogged burner orifice.	3) Clean burner orifice or replace it.
Heater produces a clicking/ticking noise just after burner is lit or shut off.	1) Metal expanding while heating or contracting while cooling.	1) This is common with most heaters. If noise is excessive, contact qualified service person.
Heater produces unwanted odors.	1) Gas leak (see WARNING statement below).	1) Locate and correct all leaks (see Checking Gas Connections, page 12)
Heater shuts off in use.	1) Low line pressure.	1) Contact local Gas Company.
	2) Pilot is partially clogged.	2) Clean pilot.
Gas odor even when control knob is in OFF position.	1) Gas leak. See WARNING statement below.	1) Locate and correct all leaks (see Checking Gas Connections, page 12)
	2) Control valve defective.	2) Replace control valve.

TROUBLESHOOTING (CONTINUED)

WARNING

If you smell gas:

- Shut off gas supply.
- Do not try to light any appliance
- Do not touch any electrical switch, do not use any phone in your building.
- Immediately call your gas supplier from a neighbor's phone. Follow the gas supplier's instructions.
- If you cannot reach your gas supplier, call the fire department.

SERVICE AND MAINTENANCE

WARNING

Turn off heater and let cool before servicing.

Verify proper operation after servicing.

REPLACEMENT PARTS

NOTE: In order for you to receive credit for parts replaced under warranty, only original replacements parts must be returned the authorized distributor.

A) UNDER WARRANTY:

Contact authorized dealers of this product. If they are unable to supply original replacement part(s), call the authorized distributor. Be prepared to indicate name, address, model number, and how heater was malfunctioning, type of gas used and purchase date. In most cases, the defective part will be requested to be returned to the authorized distributor.

B) NOT UNDER WARRANTY:

Contact authorized dealers of this product. If they are unable to supply original replacement part(s), call the authorized distributor. Be prepared to indicate model number and replacement part(s) number.

When calling the authorized distributor have ready:

- Model number of your heater
- The replacement part number

Distributed by:	United States Stove Company. 227 Industrial Park Road, South Pittsburg, TN 37380.
-----------------	---

HOW TO ORDER REPAIR PARTS

The Company reserves the right of introducing any modifications deemed convenient in order to improve the products, or due to any manufacture or commercial requirements, without previous notice, provided those modifications are in accordance with the local gas code.

This manual will help you obtain efficient, dependable service from your Ashley heater, and enables you to obtain repair parts correctly. Parts may be ordered through your service person, dealer or directly from the factory. Parts can be shipped directly to you or to your service person/dealer.

All parts in the Parts List have part numbers. When ordering parts, first obtain the model number from the name plate on your appliance. Then determine the part number (not the index number) and description of the component of which you wish to order. Be sure to give all of the following information:

Appliance Model Number _____ Part Number: _____

Appliance Serial Number: _____ Part Description: _____

Type of Gas (Propane or Natural) _____

Limited Warranty

United States Stove Company warrants to the original purchaser its heaters against premature failure of any component due to workmanship, quality, or materials as follows:

Time Period	Controls/ Valves	One Year from time of purchase
	Thermocouple/Thermopile	One Year from time of purchase
	All Electrical Components	One Year from time of purchase
	Combustion Chamber and Burner	Five Years from time of purchase

CLAIM PROCEDURE	Any defects should be reported to United States Stove Company or its dealer and/or distributor giving descriptions and pertinent data, including proof of purchase which will be returned upon request.	
	Replace the defective part free of charge.	
	Replace the defective heater free of charge.	
	Where the defect is of a cosmetic (non-functional) nature, United States Stove Company will bear reasonable expense to refurbish the heater, including such items as welding, painting, and incidental labor. Reasonable is defined by terms of this warranty as \$30.00/hour	

NOT COVERED	Specifically not covered under the terms of this limited warranty or any other warranty are problems relating to smoking or sooting- which is entirely related to the installation of the heater itself. Also, not covered are:	
	Removal and re-installation cost.	
	Service calls to diagnose trouble (unless authorized in writing by the manufacturer, distributor, or dealer)	
	Damage or defect caused by improper installation, accidents, misuse, abuse or alteration.	
	Transportation or shipping costs.	

LIMITATIONS and EXCLUSIONS	United States Stove Company shall not be liable for incidental, consequential, special or contingent damages anyone might suffer as a result of their breach of this written warranty or any implied warranty.	
	Should the heater be replaced by United States Stove Company "free of charge" all further warranty obligations are thereby met.	
	Parts and/or service replacements made under the terms of this warranty are warranted only for the remaining period of the original heater warranty.	
	Without specific written exclusionary waivers, no one has authority to add to or vary this limited warranty, or to create for United States Stove Company any further obligation of liability in connection with this heater or any other applicable accessory. Any further warranty implication applicable to this heater or any applicable accessory is limited in duration to the same time period as the original statement in the above schedule.	

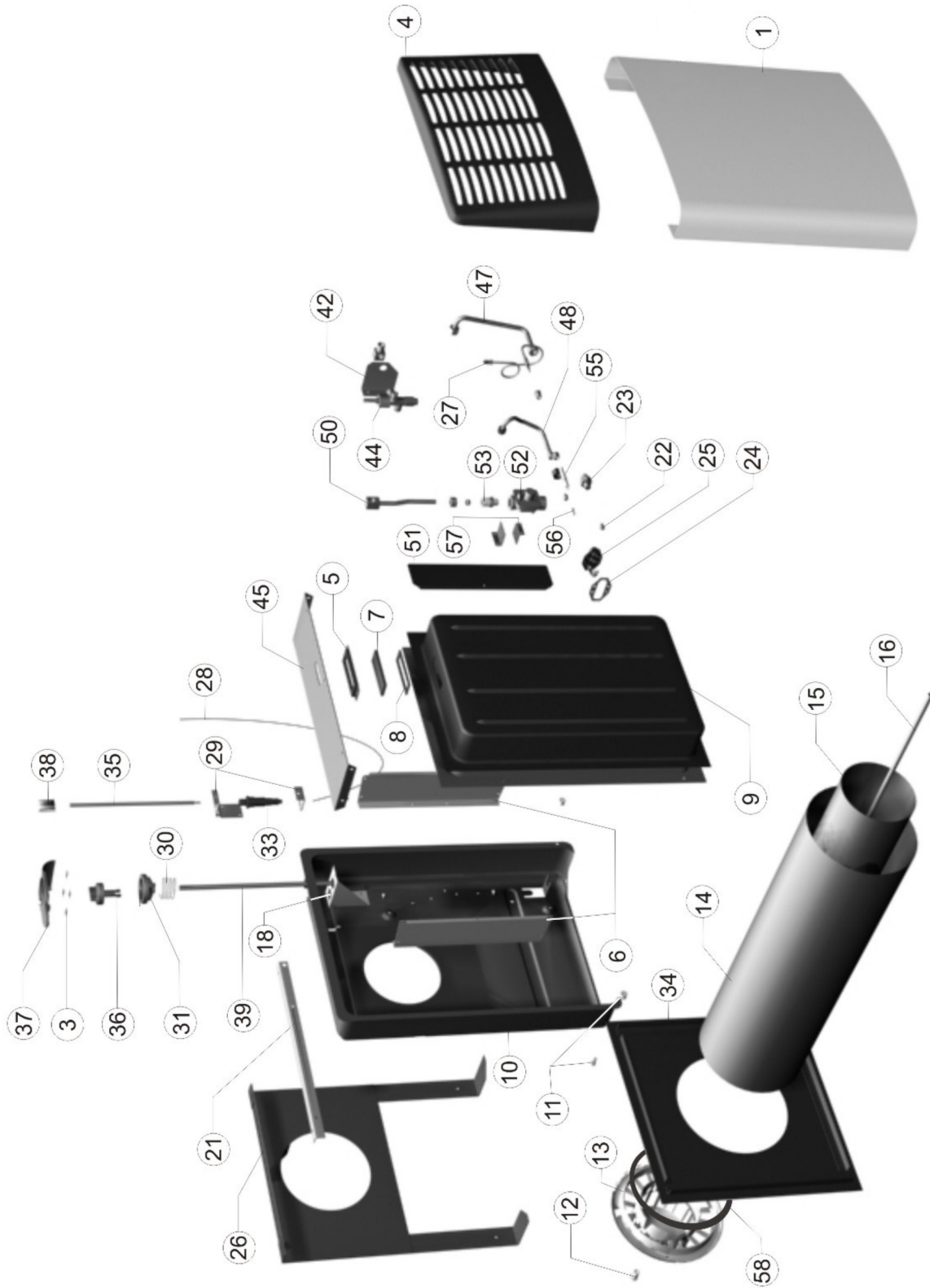
YOUR DUTIES	This heater, including all applicable accessories, must be installed and operated in accordance with local authorities having jurisdiction and the instructions furnished with the Owners Manual.	
	You should keep as permanent record your proof of purchase (or canceled check or invoice).	

PROBLEM/ RESOLUTION	As purchaser, you must first contact the dealer and/or distributor from whom you purchased your heater.	
	If within a reasonable period of time you do not receive satisfactory service from the distributor and/or dealer, write United States Stove Company, Customer Service Department, including complete details of the problem and/or problems you are experiencing, details of	

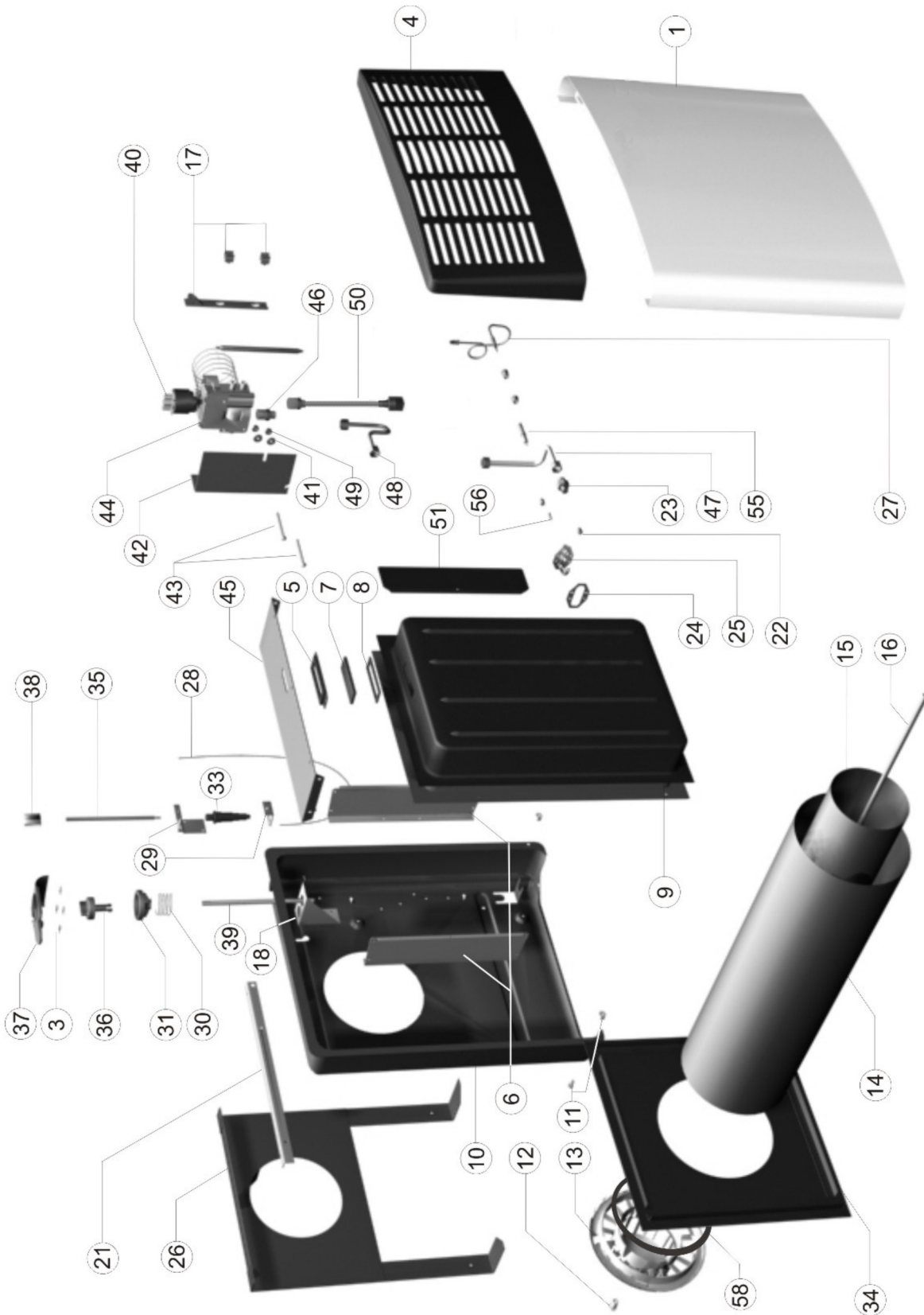
This Warranty gives you specific rights and you may also have other rights which vary state to state.

The warrantor of record is: United States Stove Company 227 Industrial Park Rd. South Pittsburg, TN 37380 Ph. (800) 750-2723

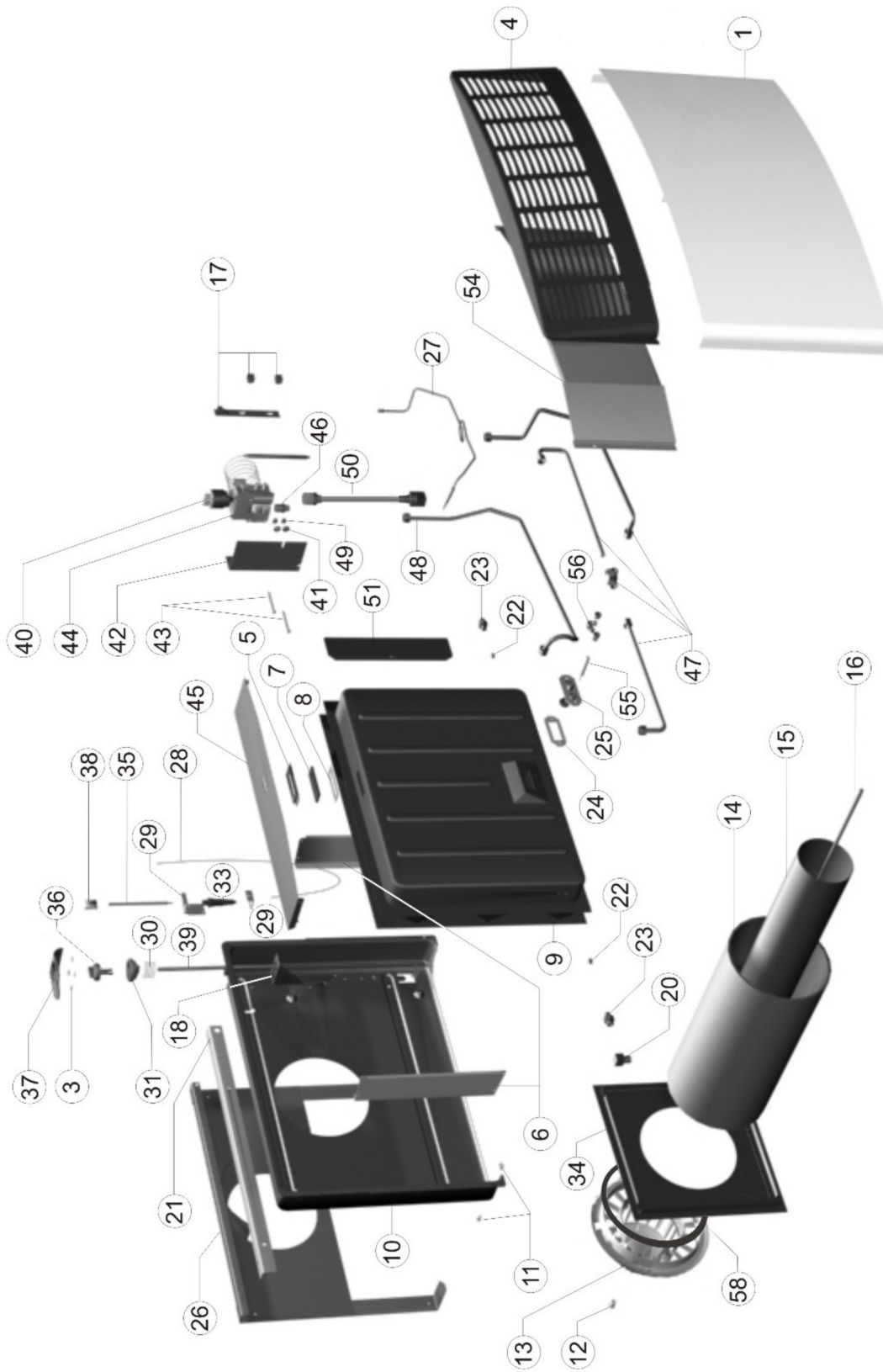
Model AGDV8



Model AGDV12



Model AGDV20



PARTS LIST

ITEM No.	PARTS No.			DESCRIPTION
	AGDV8	AGDV12	AGDV20	
1	0XXXX	0XXXX	0XXXX	Front panel
3	01196101			Nut
4	05146	05262	05359	Grill guard
5	05046			Glass frame
6	05090			Lateral radiation shield
7	01212001			Glass
8	01090001			Gasket
9	05204	05222	05398	Combustion chamber
10	05075	05225	05330	Back
11	01192701 – 01190801			Bolt and nut
12	01193602			Nut
13	010210C	01021001	01021002	Vent cap
14	05089	05229	05256	Vent-air intake pipe
15	05134	05338	05338	Vent pipe
16	05102			Rod
17	--	05232 – 01001901		Thermostat Sensor bracket
18	05078			Knob support
21	05083	05228	05334	Bracket
22	01082001	02230113	01082002	Burner orifice Natural Gas
	01081403	01082102	01081403	Burner orifice L.P.G.
23	01141502			Injector holder
24	02120101	02120101	01090002	Pilot gasket
25	02280105	02280105	02430102	Pilot assembly Natural Gas
	02280205	02280205	02430101	Pilot assembly L.P.G.
26	05152	05267	05385	Hanging bracket
27	02290107	01194202	01194205	Thermocouple
28	02340101	01143130	01022111	Ignitor wire
29	05091-05092			Piezo-ignitor bracket
30	01160502			Spring
31	01001808	01001807		Knob position marking ring
33	02320110			Piezo-ignitor
34	05113	05266	05387	Outdoor mounting plate

PARTS LIST (CONTINUED)

ITEM No.	PARTS No.			DESCRIPTION
	AGDV8	AGDV12	AGDV20	
35	02220702	02220705		Ignitor rod
36	01140701			Control Knob
37	02100117			Control panel
38	02100126			Ignitor button
39	012123	01212301		Knob rod
40	--	01210603		Adapter
41	--	010002		Washer
42	05096	05097		Gas control valve bracket
43	--	01190403		Bolt
44	05158	06322	06324	Gas control Valve Natural Gas
	05157	06323	06329	Gas control Valve L.P.G.
45	06619	05284	05388	Top Radiation Shield
46	--	01160902		Nipple 1/4 BSP x 3/8 NPT
47	02830110	02830138	02830140	Burner tubing
48	02830109	02830137	02830141	Pilot tubing
49	--	011935		Nut
50	01024001	02810150		Gas main inlet tubing
51	05087	05240		Radiation shield
52	01052001	--	--	Pressure Regulator Natural Gas
	01052002	--	--	Pressure Regulator L.P.Gas
53	01160901	--	--	Pressure Tap Fitting
54	--	--	05355	Front radiation shield
55	01143302		02330101	Spark plug
56	01143127		02230106	Pilot burner orifice Natural Gas
	02281008		02230107	Pilot burner orifice LPG
57	05100-05101	--	---	Pressure regulator bracket
58	05123	05247	05389	Silicon-rubber ring

Distributed by:

United States Stove Company.
227 Industrial Park Road,
South Pittsburg, TN 37380.

Manufactured by:

ESKABE S.A.
Ruta 2 No 323
(7600)Mar del Plata
Pcia. de Buenos Aires
Argentina

Cod. Mat.: 0XXX.XX.XX