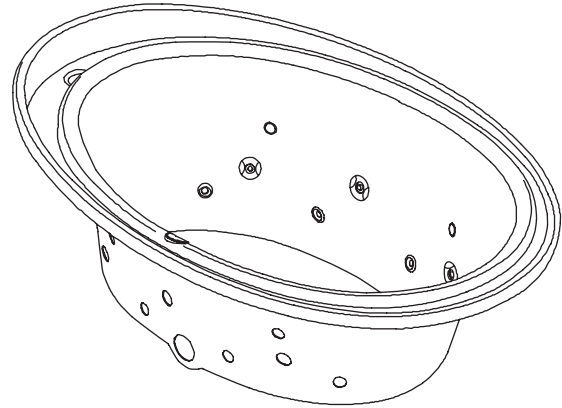


Features

- Acrylic
- 6 Flexjets™
- 8 effervescence ports
- Overflows into horizontal overflow drain for maximum bathing depth
- Color-matched jet trim included
- Coordinating Purist® Suite
- 4 chromatherapy lights
- 1.5 hp variable speed pump with 1.5 kW heater, back-lit user keypad, and remote control
- Deep bathing well 21" (53.3 cm)
- 72" (189.9 cm) x 46" (116.8 cm) x 25-11/16" (65.2 cm)

BATH WHIRLPOOL WITH SPA EXPERIENCE K-1110-AH



Codes/Standards Applicable

Specified model meets or exceeds the following:

- ANSI Z124.1.2
- IAPMO/UPC
- Underwriters Laboratories (UL)
- ASME A112.19.7M

Colors/Finishes

- 0: White
- Other: Refer to Price Book for additional colors/finishes

Accessories:

- CP: Polished Chrome
- PB: Polished Brass
- NA: None applicable
- Other: Refer to Price Book for additional colors/finishes

Specified Model

Model	Description	Colors/Finishes	
K-1110-AH	Bath whirlpool with Spa Experience	<input type="checkbox"/> 0	<input type="checkbox"/> Other_____
Required Accessories			
K-589	Undermount template kit (for undermount installations only)		<input type="checkbox"/> NA
K-7202	Drain	<input type="checkbox"/> CP	<input type="checkbox"/> PB <input type="checkbox"/> Other_____
Optional Accessories			
K-1601	Footstop	<input type="checkbox"/> 0	<input type="checkbox"/> Other_____
K-1491	Pillow	<input type="checkbox"/> 0	<input type="checkbox"/> Other_____

Product Specification

The acrylic bath whirlpool shall be 72" (182.9 cm) in length, 46" (116.8 cm) in width, and 25-11/16" (65.2 cm) in height. Bath whirlpool shall have 6 Flexjets, 8 effervescence ports, 4 chromatherapy lights, and color-matched trim. Bath whirlpool shall have a 1.5 hp variable speed pump with a 1.5 kW heater, back-lit user keypad, and remote control. Bath whirlpool overflows into horizontal overflow drain for maximum bathing depth of 21" (53.3 cm). Bath whirlpool shall coordinate with Purist Suite. Bath whirlpool shall be Kohler Model K-1110-AH-_____.

PURIST™

Technical Information

Fixture*:	
Bathing well	
Basin area	45" (114.3 cm) x 25-1/2" (64.8 cm)
Top area	63" (160 cm) x 31-1/2" (80 cm)
Weight	160 lbs (72.6 kg)
To overflow	
Water depth to rim	21" (53.3 cm)
Capacity	115 gal (435.3 L)
* Approximate measurements for comparison only.	

Included components:	
Cut-out template (drop-in only)	1016369-7

Pump	Heater	Voltage	Frequency	Amperage
1.5 hp	1.5 kW	240 V	50/60 Hz	11 A

Required Electrical Service

Dedicated circuit required, protected with Class A Ground-Fault Circuit-Interrupter (GFCI) or Earth-Leakage Circuit-Breaker (ELCB):	
Pump/control	220/240 V, 20 A, 50/60 Hz

Installation Notes

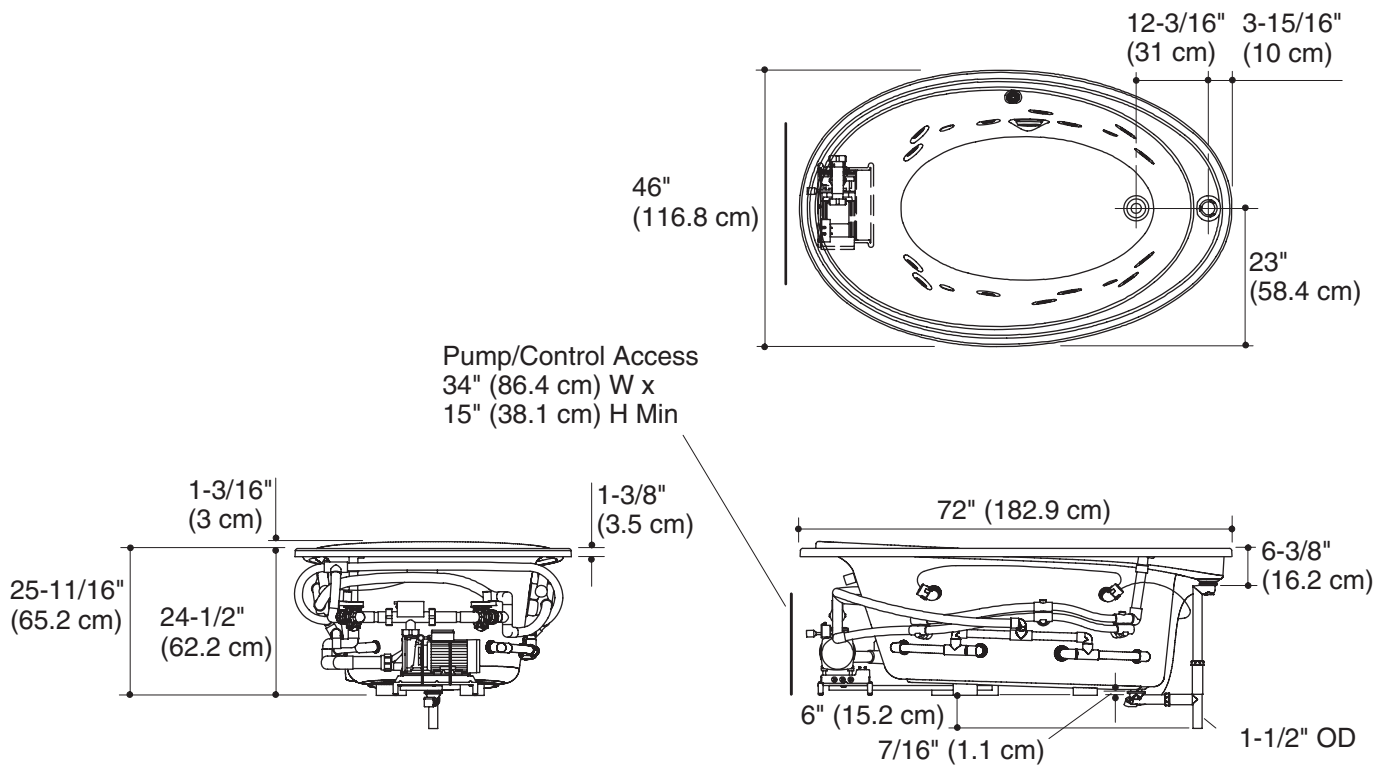
Install this product according to the installation guide.

Pump/piping protrudes beyond rim (see below).

Floor support under whirlpool must provide for a minimum of 1400 lbs (635 kg).

Hot water supply should be 70% of capacity or greater. Installations will vary.

No change in measurements with drain shown. (K-7202 or K-7202M)



Product Diagram