

Pivot Shower Doors

USA: 1-800-STERLING (1-800-783-7546)
Mexico: 001-877-680-1310
SterlingPlumbing.com

CAUTION: Risk of injury or property damage. Do not attempt to cut tempered glass.

IMPORTANT! Do not cut the top track the same length as the bottom track.

When instructed to make cuts, only cut on the strike end of the header and bottom track.

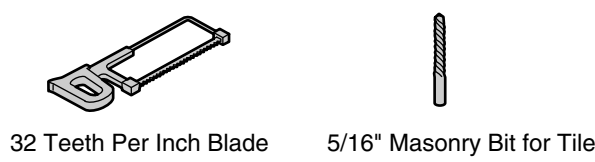
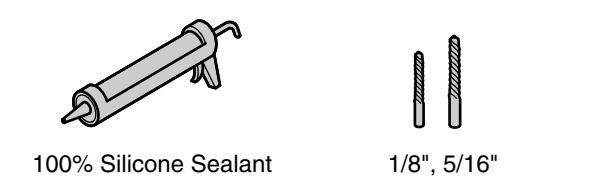
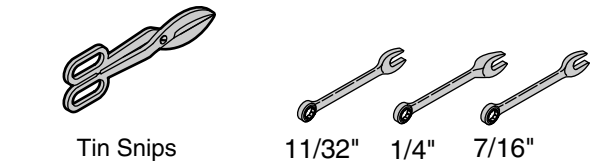
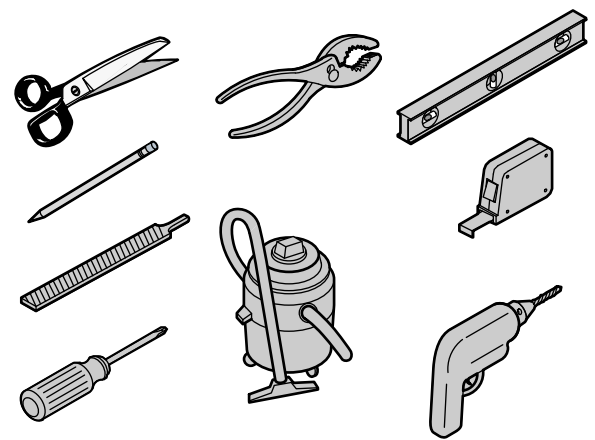
Walls must be within 3/8" (10 mm) of plumb.

Cover drain with tape to avoid loss of small parts.

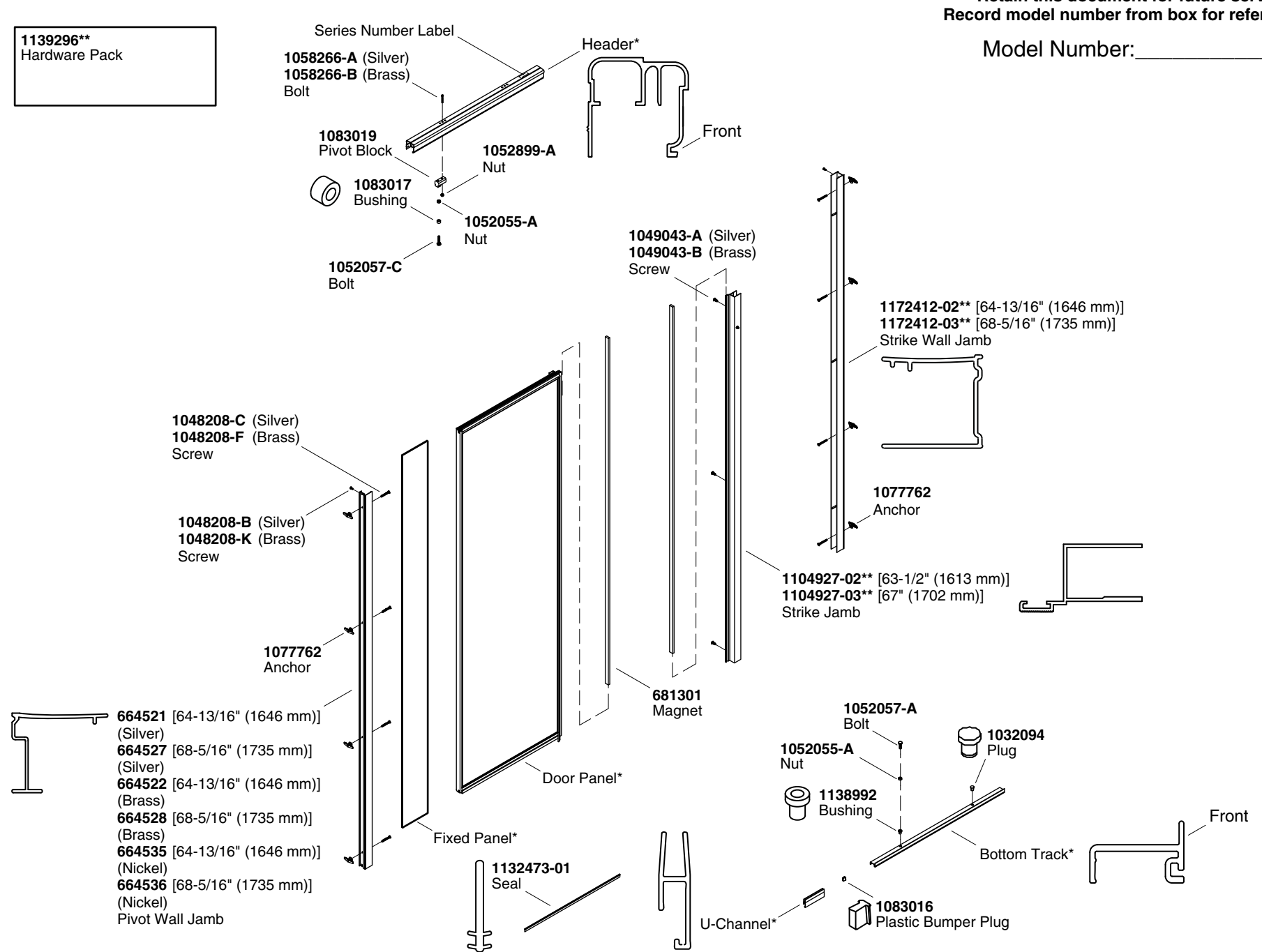
Follow the silicone sealant manufacturer's instructions for application and curing time.

Installation video available at SterlingPlumbing.com.

Required Tools



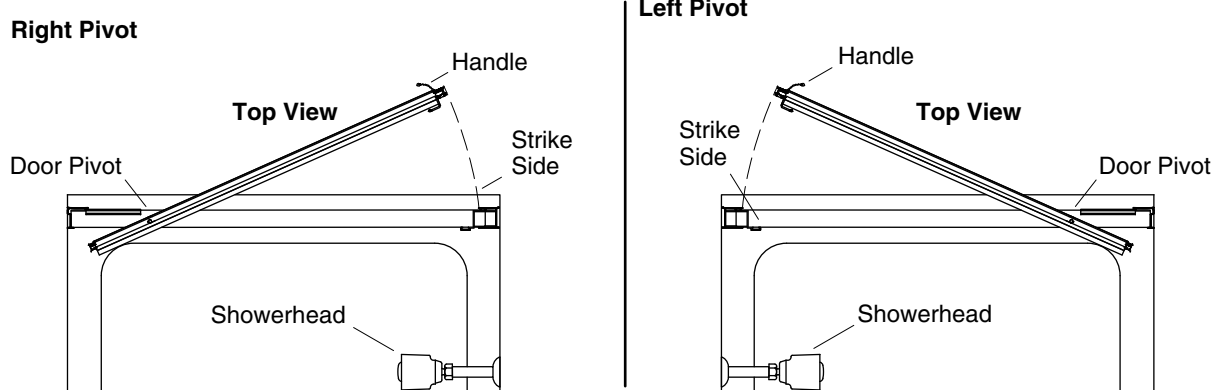
Parts Identification



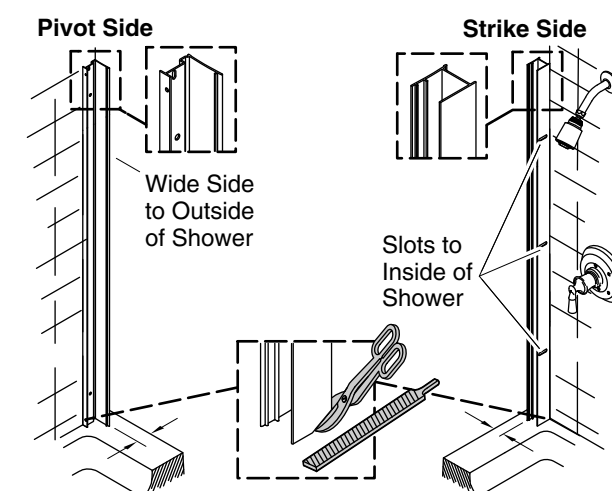
*Call Customer Care Center to order replacement parts.
**Finish/color code must be specified when ordering.
Retain this document for future servicing.
Record model number from box for reference.

Model Number: _____

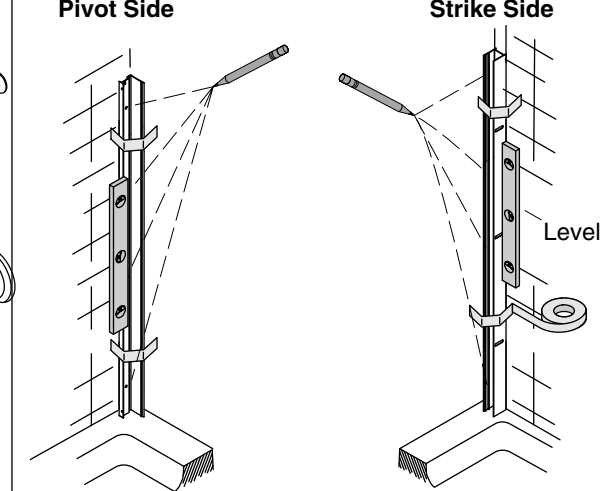
1 Determine either a right or a left door pivot. With masking tape, label the pivot side and strike side of the bottom track. The handle installs on the strike side and the door pivot installs opposite the showerhead.



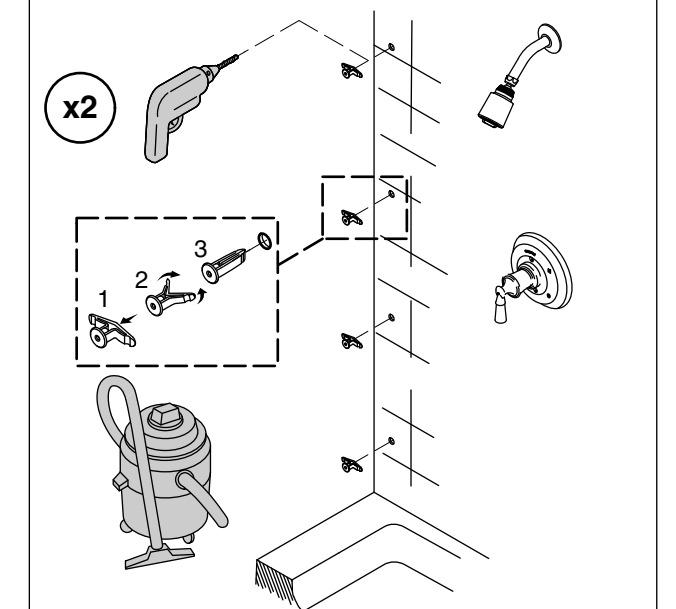
2 Snip/file the bottom edges of the wall jambs for a snug fit. Position the wall jambs the same distance from the front of the threshold edge.



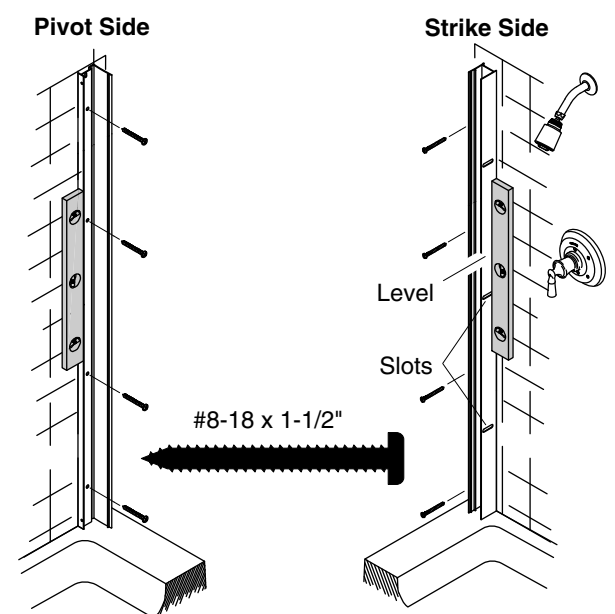
3 Plumb both wall jambs and secure with masking tape. Mark the screw holes and the front edge of the wall jambs.



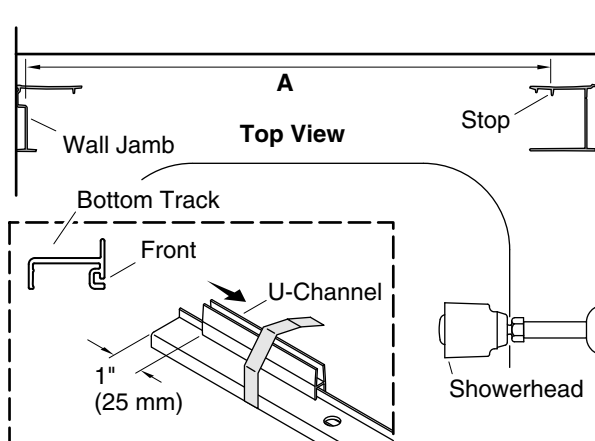
4 Remove the wall jambs. Drill 5/16" holes and insert the anchors on both shower walls. For tile, use a 5/16" masonry bit. Anchors will work in wall studs.



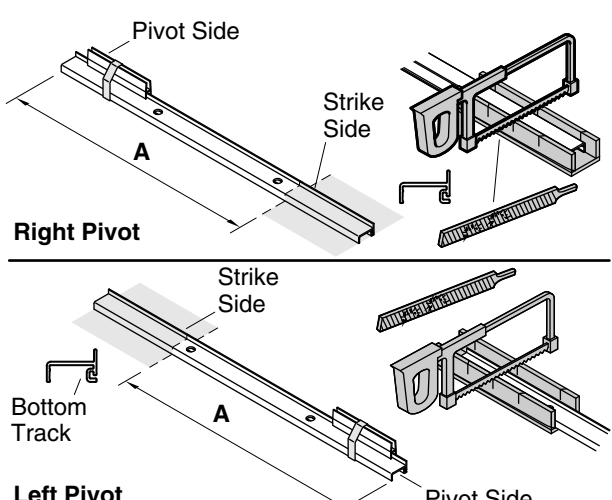
5 Realign and plumb the wall jambs. Screw the wall jambs into position.



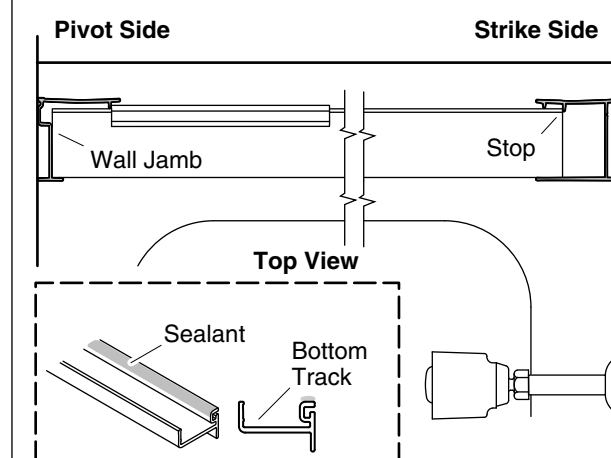
6 Measure from the stop on the inside of the strike wall jamb to the inside of the pivot wall jamb (dimension "A"). Slide the U-channel onto the pivot side of the bottom track and tape it in place.



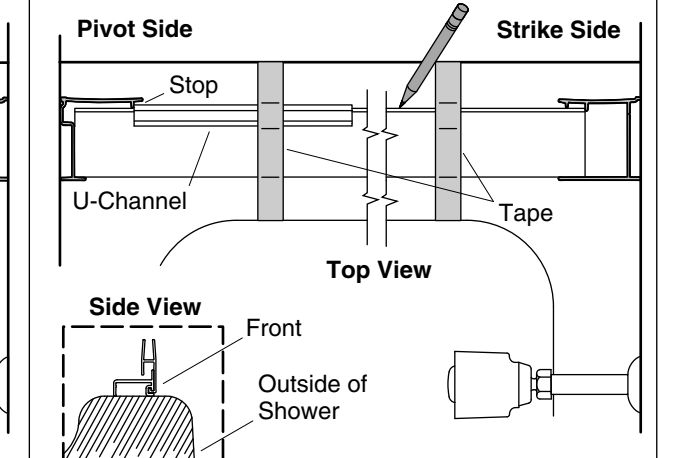
7 Important! Cut the bottom track on the strike side only! Cut the bottom track to dimension "A." Smooth the cut edge with a file.



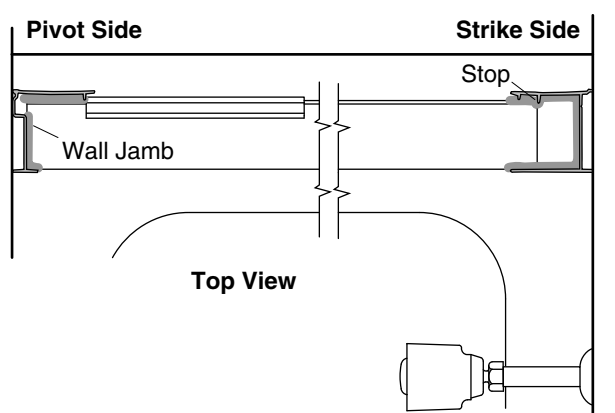
8 Apply sealant to the underside of the bottom track. Position the bottom track on the ledge against the stop on the strike wall jamb and against the pivot wall jamb.



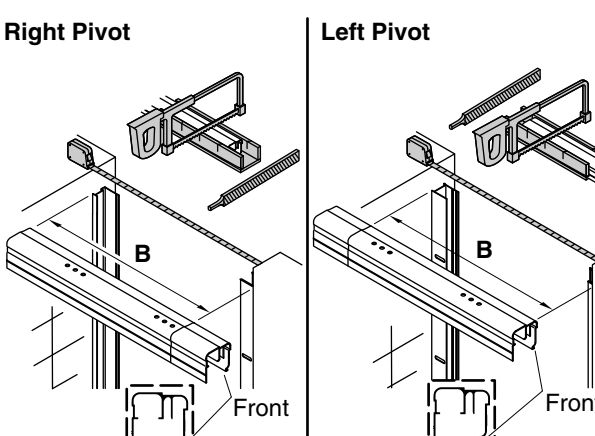
9 Slide the U-channel tight against the stop on the pivot wall jamb. Tape the bottom track in place and mark the position along the front edge.



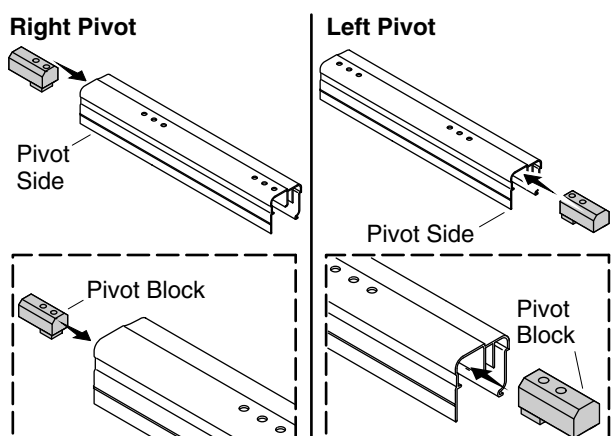
10 Apply silicone sealant where the pivot and strike wall jambs meet the bottom track.



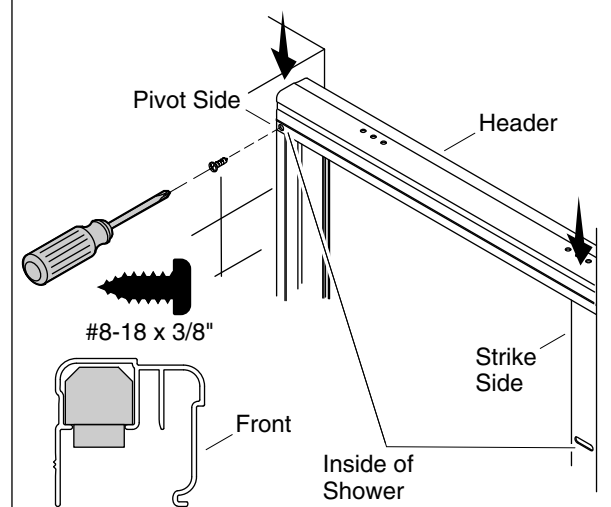
11 Label the pivot side and strike side of the header. Measure the opening above the wall jambs. Start measurements from the pivot side. Mark and cut dimension "B" on the strike side of the header.



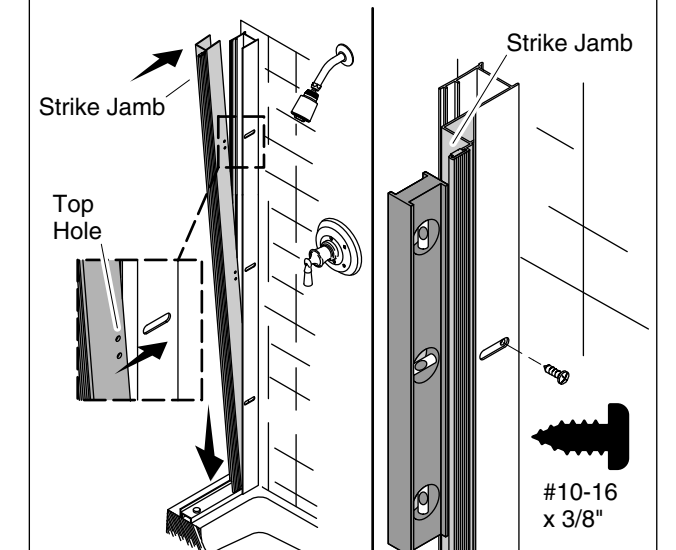
12 Insert the pivot block into the header from the pivot side. The pivot block must install as shown below.



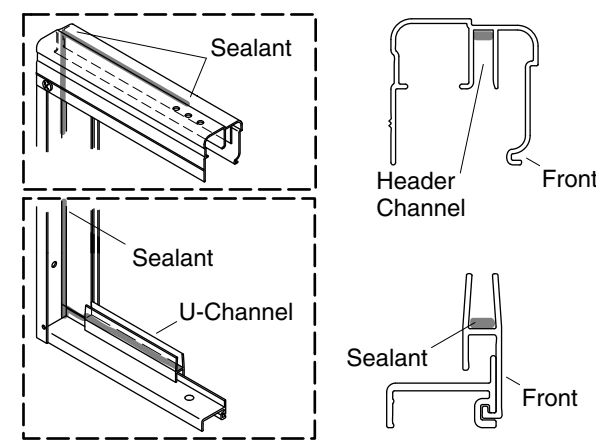
13 Position the header over the wall jambs. On the inside of the shower, secure the pivot side of the header with the screw.



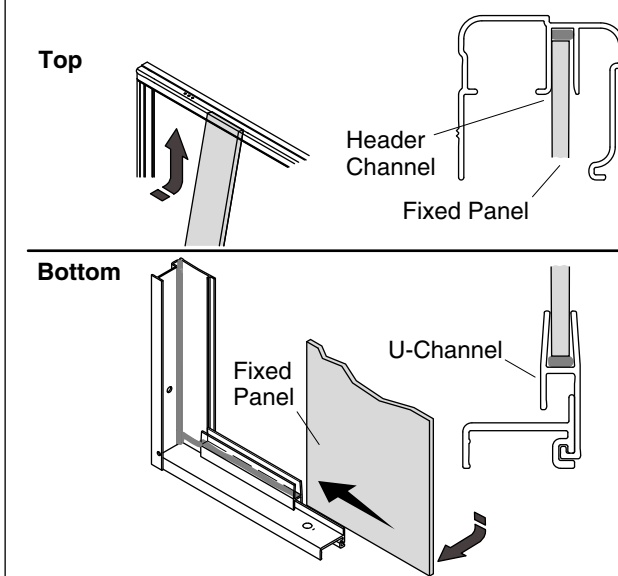
14 Install the strike jamb. Align the top holes in the strike jamb with the slots. Level the strike jamb and loosely tighten the three screws.



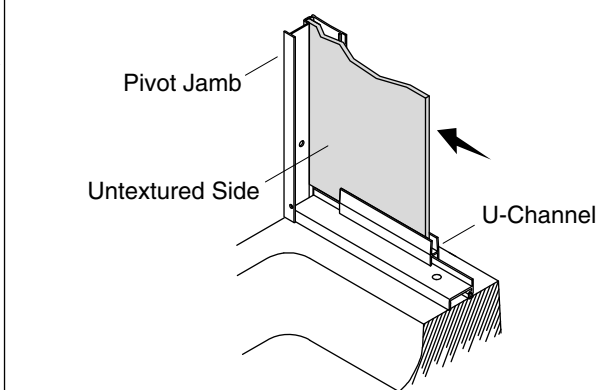
15 Apply sealant the entire length of the groove in the pivot jamb and the entire length of the U-channel. Apply sealant in the header channel only where the fixed panel inserts.



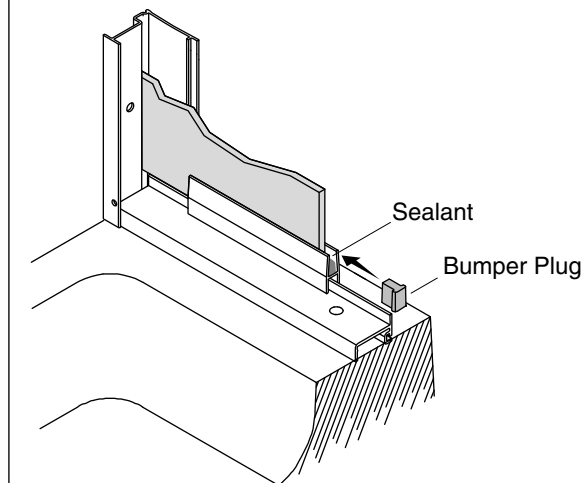
16 Insert the fixed panel into the header channel and the U-channel. If textured, install the texture facing the outside of the shower.



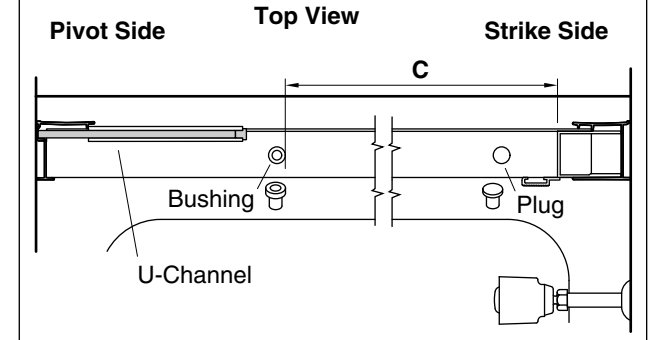
17 Slide the fixed panel into the pivot jamb. The edge of the panel will not be flush with the end of the U-channel



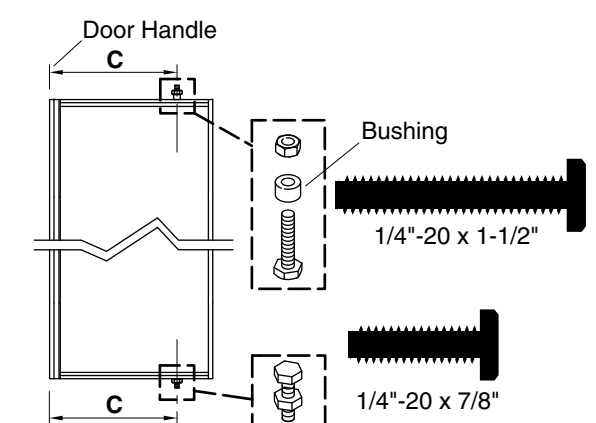
18 Place a small amount of sealant into the U-channel and insert the bumper plug.



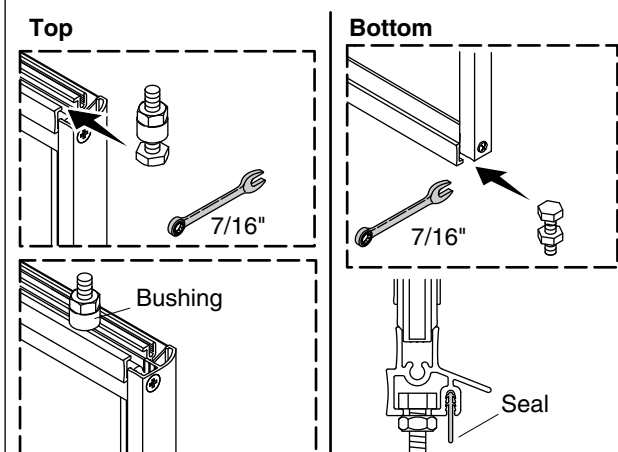
19 On the bottom track, insert the plug into the hole on the strike side and the bushing into the hole on the pivot side. Measure dimension "C" from the base of the strike jamb to the edge of the bushing.



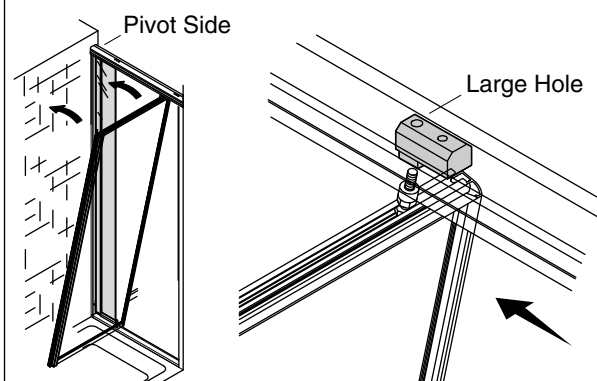
20 Starting from the handle, transfer and mark dimension "C" along the top and bottom of the door panel. On the top, assemble the bushing and nut on the 1-1/2" bolt. On the bottom, partially thread the nut onto the 7/8" bolt.



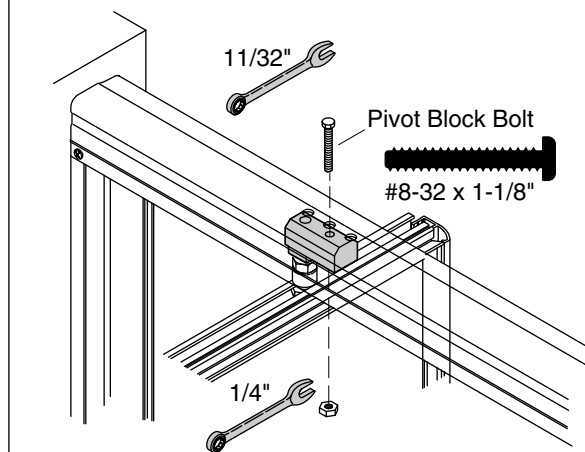
21 On the top and bottom of the door panel opposite the handle, insert the bolt heads into the door channels. Center and tighten the pivot bolts at dimension "C." Press the seal into the bottom of the door frame.



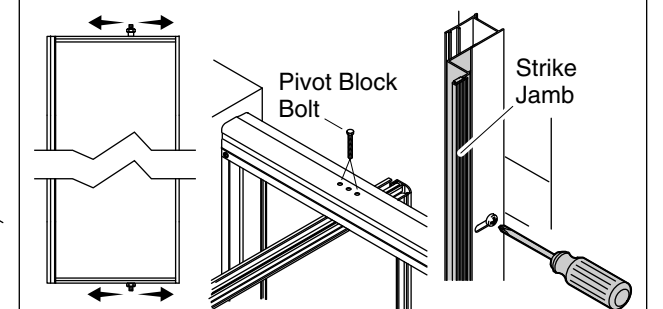
22 Insert the bottom door bolt into the bushing on bottom track. Insert the top door bolt into the large hole in the pivot block. If needed, lift the header slightly. Close the door and adjust the door panel for a consistent gap between the door handle and the strike jamb.



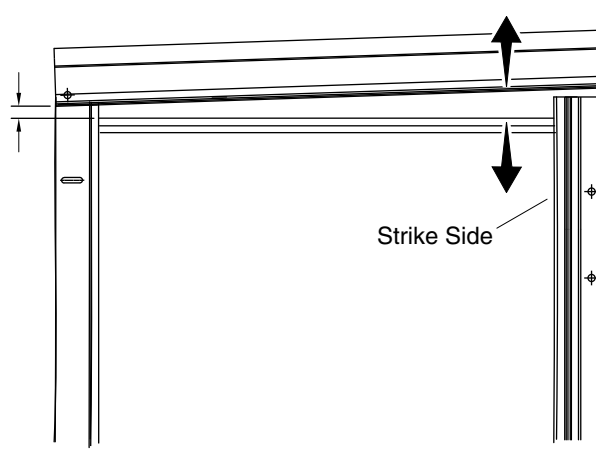
23 Insert the 1-1/8" pivot block bolt through the center hole in the header and into the small hole in the pivot block. Insert and tighten the lock nut onto the pivot block bolt.



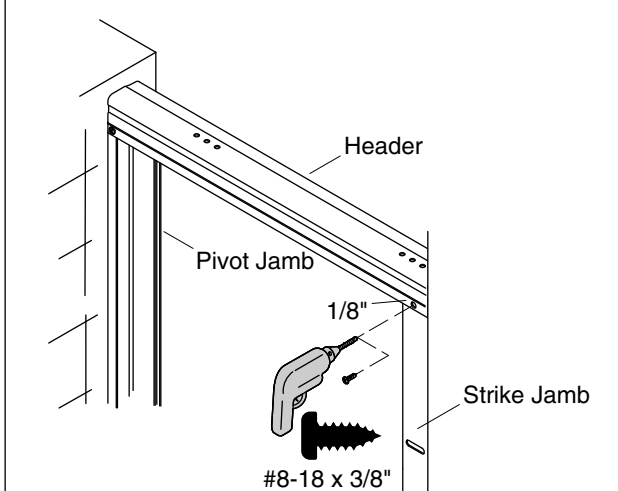
24 Binding or catching against the bottom track will damage the seal. To adjust the door panel alignment, either reposition the top and bottom pivot bolts or shift the pivot block bolt to either side of the center hole. Adjust the strike jamb alignment and tighten the screws.



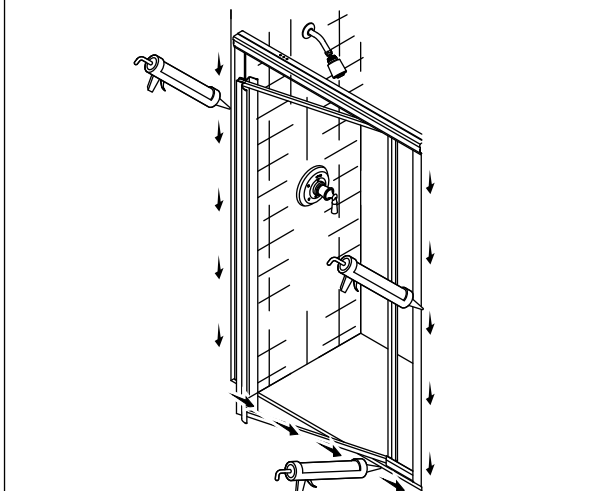
25 For an even gap between the header and the door, move the header up or down on the strike side.



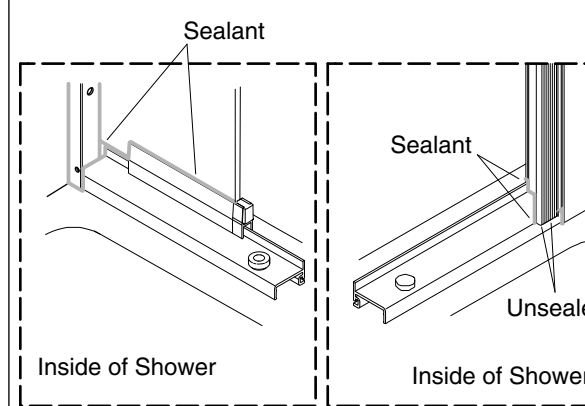
26 With the header in the final position, drill a 1/8" hole on the inside of the shower. Secure the header to the strike jamb with the screw.



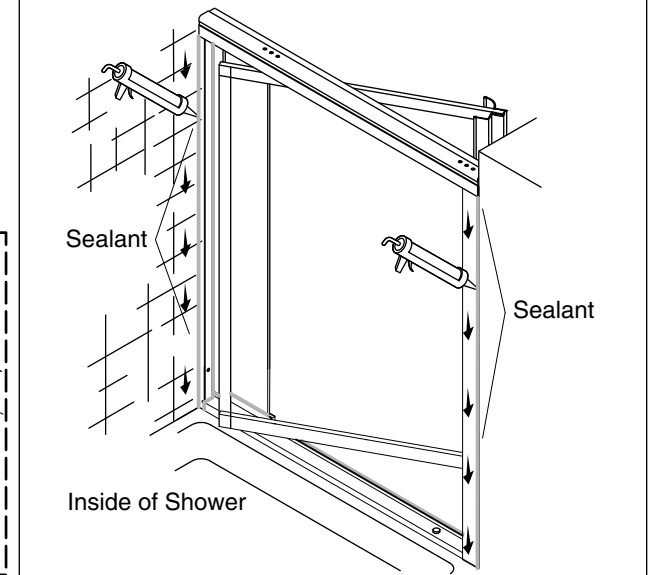
27 On the outside of the shower, apply sealant where the strike jamb and pivot jamb meet the wall and where the bottom track meets the receptor ledge.



28 On the inside of the shower, apply sealant where the fixed panel and the pivot jamb edges meet and between the strike jamb and the bottom track only where shown below.



29 On the inside of the shower, apply sealant where the wall jambs meet the wall.



TROUBLESHOOTING

Symptom: Installation	Recommended Action
1. The pivot bolts do not slide into the door channels.	A. Loosen the nearest door panel screw. Pull the door panel frame away from the glass far enough to allow the bolt head to pass through. Retighten the screw.
2. Fitting the top bolt into the pivot block is difficult.	A. Remove the strike side header screw. Lift the header slightly. Insert the top bolt.
3. Not sure which side of the bottom track or header to cut.	A. See step 7 and step 11 for proper cutting orientation.
Symptom: Door Functionality	Recommended Action
1. The door contacts the bottom track.	A. Adjust the door panel to increase the gap between the door panel and the bottom track. Adjust the bottom pivot pin and tighten securely. See steps 20, 21, 22, 23, and 24.
2. Opening or shutting the door panel is difficult.	A. Adjust the door panel to increase the gap between the door panel and the strike jamb. See steps 20, 21, 22, 23, and 24. B. Adjust the strike jamb so the door panel makes contact with the strike jamb magnet. See steps 20, 21, 22, 23, and 24. C. Trim the ends of the seal to be flush with the door.
Symptom: Water Leaks	Recommended Action
1. Water leaks under the fixed glass panel.	A. From the outside the shower, apply silicone sealant where the fixed glass panel meets the U-channel.
2. Water leaks between fixed glass and wall jamb.	A. From the outside the shower, apply silicone sealant where the fixed glass panel frame meets the wall jamb.
3. Water leaks under the door panel.	A. Verify the seal is in place. See step 21.
4. Water leaks past the strike jamb.	A. Adjust the door to decrease the gap between the door panel and the strike jamb. See steps 21, 22, 23, and 24. B. Adjust the strike jamb so the door panel makes contact with the strike jamb magnet seal. See steps 21, 22, 23, and 24.

WARRANTY

5 YEARS LIMITED
5100 Series, 5300 Series, 5400 Series, 6300 Series, 6500 Series

3 YEARS LIMITED
1500 Series, 1900 Series, 2200 Series, 5900 Series

1 YEAR LIMITED
500 Series, 600 Series, 660 Series, 670 Series, 690 Series, 950 Series, 2300 Series, 2900 Series, 3100 Series

Based on the classification specified above, STERLING bath and shower doors are warranted to be free of manufacturing defects within the time of the specified model's limited warranty from date of sale.

Kohler Co. will, at its election, repair, rectify or replace a fixture when inspection by Kohler Co. discloses any such defects occurring in normal usage within the time period of coverage stated above. Kohler Co. is not responsible for removal or installation costs where replacement is indicated. Damages due to improper handling, installation or maintenance are not considered manufacturing defects and are not covered by this warranty. This warranty is valid for the original, consumer purchaser only.

To obtain warranty service, contact Sterling, either through your plumbing contractor, home center, wholesaler or dealer, or by calling or writing Sterling, Consumer Services, 444 Highland Drive, Kohler, Wisconsin 53044, 1-800-783-7546.

TO THE EXTENT PERMITTED BY LAW, ALL IMPLIED WARRANTIES INCLUDING THOSE OF MERCHANTABILITY AND FITNESS FOR A PARTICULAR PURPOSE ARE HEREBY DISCLAIMED. KOHLER CO. AND SELLER HEREBY DISCLAIM ANY LIABILITY FOR SPECIAL, INCIDENTAL OR CONSEQUENTIAL DAMAGES. Some states/provinces do not allow limitations on how long an implied warranty lasts, or the exclusion or limitation of special, incidental or consequential damages, so these limitations and exclusions may not apply to you. This warranty gives you specific legal rights. You may also have other rights which vary from state/province to state/province.

This is the exclusive written warranty for Kohler Co.