



# Operation & Parts Manual

## Air Reciprocating Saw

Model No. CAT823A SKU No. 132499

### Table of Contents

- Specifications
- General Safety Information
- Features & Operation
- Maintenance
- Parts List
- Warranty



### Specifications

Free Speed: ..... 5,600 SPM  
 Max. Cutting Capacity: ..... 16 Gauge (1.5 mm)  
 Stroke Length: ..... 3/8"  
 Overall Length: ..... 9.9"  
 Weight: ..... 2.0 lbs  
 Avg. Air Consumption: ..... 3.0 CFM  
 Max. Air Pressure: ..... 90 PSI  
 Recommended Hose Size: ..... 3/8" I.D.  
 Air Inlet: ..... 1/4" NPT (F)

### General Safety Information



#### Read Operating Instructions

Always become familiar with all the instructions and warnings before operating any pneumatic tool.



#### Always Wear Approved Eye protection

Impact resistant eye protection should meet or exceed the standards as set forth in the United States ANSI Z87.1, Occupational and Educational Eye and Face Protection. Look for the marking Z87.1 on your eye protection to insure that it is an approved style. For further information, ANSI Z87.1, Occupational and Educational Eye and Face Protection, is available from the American National Standards Institute, Inc., 11 West 42<sup>nd</sup> Street, New York, NY10036.



#### Hearing Protection is Recommended

Hearing protection should be used when the noise level exposure equals or exceeds an 8 hour time-weighted average sound level of 85dBA. Process noises, reflective surfaces, other tools being operated nearby, all add to the noise level present in your work area. If you are unable to determine your noise level exposure, we recommend the use of hearing protection.

### Description

The Husky model no. CAT823A Air Reciprocating Saw is designed for cutting a variety of materials, such as plastic, fiberglass, wood, and sheet metal up to 16 gauges thick. Slim designed tool cuts curved surface and tight circles with ease. Self locking throttle prevents accidental start-ups. Composite grip area for increased comfort and control.



#### Avoid Prolonged Exposure to Vibration

Pneumatic tools can vibrate during use. Prolonged exposure to vibration or very repetitive hand and arm movements can cause injury. Stop using any tool if discomfort, tingling feeling or pain occurs. You should consult your physician before resuming use of the tool.



#### 90 PSIG Maximum

Husky tools are designed to operate at an air pressure of 90 pounds per square inch gauge pressure (90 PSIG) maximum, at the tool. Use of higher air pressure can, and may cause injury. Also use of higher air pressure places the internal components under loads and stresses they were not designed for, causing premature tool failure. The air supply should be clean and dry, preferably lubricated. For best results drain the moisture from your compressor daily.



**Sold Exclusively at The Home Depot**  
2455 Paces Ferry Road, N.W. Atlanta, Georgia 30339

**IMPOTANT SAFETY INSTRUCTIONS**

**INSTRUCTIONS PERTAINING TO A RISK OF FIRE, ELECTRIC SHOCK, OR INJURY TO PERSONS**

**WARNING-**Some dust created by using power tools contains chemicals known to the State of California to cause cancer and birth defects or other reproductive harm

**WARNING-**When using the product, basic precautions should always be followed, including the following:

**General:** To reduce the risk of electric shock, fire, and injury to persons. Read all the instructions before using the tool.

**Work area**

1. **Keep the work area clean and well lighted.** Cluttered benches and dark areas increase the risks of electric shock, fire and injury to persons.
2. **Do not operate the tool in explosive atmospheres, such as in the presence of flammable liquids, gases, or dust.** The tool is able to create sparks resulting in the ignition of the dust or fumes.
3. **Keep bystanders, children, and visitors away while operating the product.** Distractions are able to result in the loss of control of the tool.

**Personal safety**

1. **Stay alert. Watch what you are doing and use common sense when operating the product. Do not use the product while tired or under the influence of drugs, alcohol, or medication.** A moment of inattention while operating the tool increases the risk of injury to persons.
2. **Dress properly. Do not wear loose clothing or jewelry. Contain long hair. Keep hair, clothing, and gloves away from moving parts.** Loose clothes, jewelry, or long hair increases the risk of injury to persons as a result of being caught in moving parts
3. **Remove adjusting wrenches and keys before turning the tool on.** A wrench or a key that is left attached to a rotating part of the tool increase the risk of personal injury.
4. **Do not overreach. Keep proper footing and balance at all times.** Proper footing and balance enables better control of the tool in unexpected situations
5. **Use safety equipment.** A dust mask, non-skid safety shoes and a hard hat must be used for the applicable conditions.
6. **Always wear eye protection.**
7. **Always wear hearing protection when using the tool.** Prolonged exposure to high intensity noise is able to cause hearing loss.
8. **Disconnect the product from the air source before making any adjustments.**
9. **Avoid unintentional starting. Be sure the switch is off before connecting to the air supply.** Do not carry the tool with your finger on the switch or connect the tool to the air supply with the switch on.
10. **Accessories must be rated for at least the speed of the tool marked on the tool label.** Wheels and other accessories running over the rated speed can fly apart and result in a risk of injury to persons.

### CAUTION

1. Inspect hose connection before each use.
2. Do not exceed 90psi when using pneumatic tools.
3. Do not kink, twist, knot or abrade hose.

#### Applicable Range:

Is applicable for pneumatic tools and accessories.

#### Specifications:

Maximum Working Pressure.....90psi.

**WARNING: Do not exceed 90psi air pressure.**

### Operation

#### Tool use and care

1. **Use clamps or another practical way to secure and support the work piece to a stable platform.** Holding the work by hand or against the body is unstable and to lead to loss of control.
2. **Do not force the tool. Use the correct tool for the application.** The correct tool will do the job better and safer at the rate for which the tool is designed.
3. **Do not use the tool if the switch does not turn the tool on or off.** Any tool that cannot be controlled with the switch is dangerous and must be repaired.
4. **Disconnect the tool from the air source before making any adjustments, changing accessories, or storing the tool.** Such preventive safety measures reduce the risk of starting the tool unintentionally.
5. **Store the tool when it is idle out of children and other untrained persons.** A tool is dangerous in the hands of untrained users.
6. **Maintain the tool with care.** Keep a cutting tool sharp and clean. A property maintained too, with sharp cutting edges reduced the risk of binding and is easier to control.
7. **Check for misalignment or binding of moving parts, breakage of parts, and any other condition that affects the tool's operation.** If damaged, have the tool serviced before using. Many accidents are caused by poorly maintained tools. There is a risk of bursting if the tool is damaged.
8. **Use only accessories that are identified by the manufacturer for the specific tool model.** Use of an accessory not intended for use with the specific tool model, increases the risk of injury to persons.
9. **Accessories must be rated for at least the speed of the tool marked on the tool label.** Wheels and other accessories running over rated speed can fly apart result in a of injury to persons

#### Service

1. **Tool service must be performed only by qualified repair personnel.**
2. **When servicing a tool, use only identical replacement parts. Use only authorized parts.**
3. **Use only the lubricants supplied with the tool of specified by the manufacturer.**

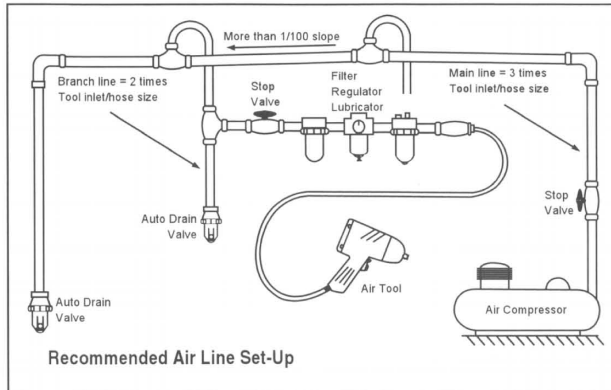
#### Air source

1. **Never connect to an air source that is capable of exceeding 115psi.** Over pressurizing the tool is able to result in busting, abnormal operation, and breakage of the tool or serious injury to persons. Use only clean, dry, regulated compressed air at the rated pressure or within the rated pressure range as marked on the tool. Always verify prior to using the tool that the air source has been adjusted to the rated air pressure or within the rated air-pressure range.
2. **Never use oxygen, carbon dioxide, combustible gases or any bottled gas as an air source for the tool.** Such gases are capable of explosion and serious injury to persons.

### Installation

Always use clean dry air. Excessive moisture and dirt will greatly reduce the life of any air motor. We recommend the installation of an in-line filter-regulator-lubricator as close to the tool as possible.

A 3/8" air hose is required up to a length of 8 ft. If more length is required a 1/2" air hose should be connected to the 3/8" hose to ensure the tool had the necessary air supply. Be sure all hoses and fittings are the correct size and tightly secured.



### Pre- Operation

Before the tool is connected to the air supply, clear the air hose of accumulated dust and moisture. Before removing a tool for service or changing accessories, make sure the air line is shut-off and drained of air. This will prevent the tool from operating if the tool is accidentally engaged.

Air tools require lubrication through-out the life of the tool. Proper lubrication is the owner's responsibility. Failure to lubricate and maintain the air tool property will dramatically shorten the life of the tool and will void the warranty.

Designate a work area that is clean and well.

Secure loose work pieces using a vise or clamps (not included) to prevent movement while working.



**Never use the saw to cut heat treated, high carbon, or spring steel. Personal injury can occur if air tool is used on these steels.**

**Always check that the Blade and the Safety Guard are secured tightly before use.**

**Always wear gloves when using this tool to prevent injuries from sharp edges or metal shavings.**



**Make sure the blades are not dull, cracked, or bent.**

### Operation

This saw may be used for cutting through aluminum copper, sheet metal, wood, and plastics.



**Do not exceed the exceed the max. 16 gauge thickness when cutting sheet metal with this saw.**

**The Safety Guard must always be on during operation. Using the saw without the Safety Guard can result in severe injury.**

1. Loosen Safety Guard Setscrew (15) and adjust Safety Guard (12) to desired position. Retighten setscrew before use.
2. Press the trigger (24) to start the Saw Blade (1) action.
3. Position the Saw Blade on the edge of the material to be cut.
4. Apply constant forward motion, but do not apply excessive force or turn in either direction abruptly.
5. Always keeps the tool running when backing out from a cut. The blade will jam and break if the tool is not kept running.
6. Release the trigger and disconnect the air supply when you change blade or are finished with the tool



**The blades will become hot while cutting. Allow the blades to completely cool before touching**

**Allow the blades to move at full speed before feeding them into the work piece. Do not force the blades into the work piece when cutting. Apply moderate pressure, allowing the blades to cut without being forced. Then turning off the saw, allow the blades to stop on their own. Do not press against the blades to stop them.**

### WARNING:

Some dust created by power sanding, sawing, grinding, drilling, and other construction activities contains chemicals known to cause cancer, birth defects or reproductive harm.

Some examples of these chemicals are:

- Lead form lead-based paints
- Crystalline silica from bricks, cement and other masonry products
- Arsenic and chromium from chemically treated lumber

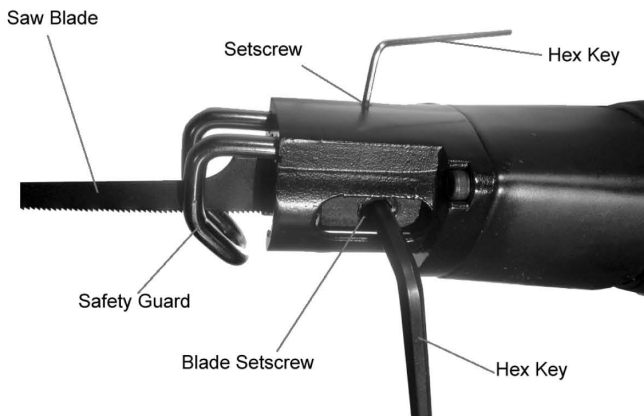
You risk from these exposures varies, depending on how often you do this type of work. To reduce our exposure to these chemicals, work in a well ventilated area and work with approved safety equipment such as those dust masks that are specially designed to filter out microscopic particles.

### Maintenance

#### Blade Replacement



**Always disconnect the saw from air source before installing or replace blades.**



1. Always only use recommended replacement blade for this saw.
2. The Blade Safety Guard (12) may be removed when replacing blades.
3. Loosen the 2pcs Blade Setscrews (3) with hex key.
4. Replace the blade.
5. Reassemble in reverse order.

### **WARNING**

**Make sure tighten the two Blade Setscrews both sides with equal force.**

**Always check that the Blade and the Safety Guard are secured tightly before use.**

### Lubrication

An automatic in-line filter-regulator-lubricator is recommended as it increases tool life and keeps the tool in sustained operation. The in-line lubricator should be regularly checked and filled with air tool oil. Proper adjustment of the in-line lubricator is performed by placing a sheet of paper next to the exhaust ports and holding the throttle open approximately 30 seconds. The lubricator is properly set when a light stain of oil collects on the paper. Excessive amounts of oil should be avoided.

In the event that it becomes necessary to store the tool for an extended period of time (overnight, weekend, etc.), it should receive a generous amount of lubrication at that time. The tool should be run for approximately 30 seconds to ensure oil has been evenly distributed throughout the tool. The tool should be stored in a clean and dry environment.

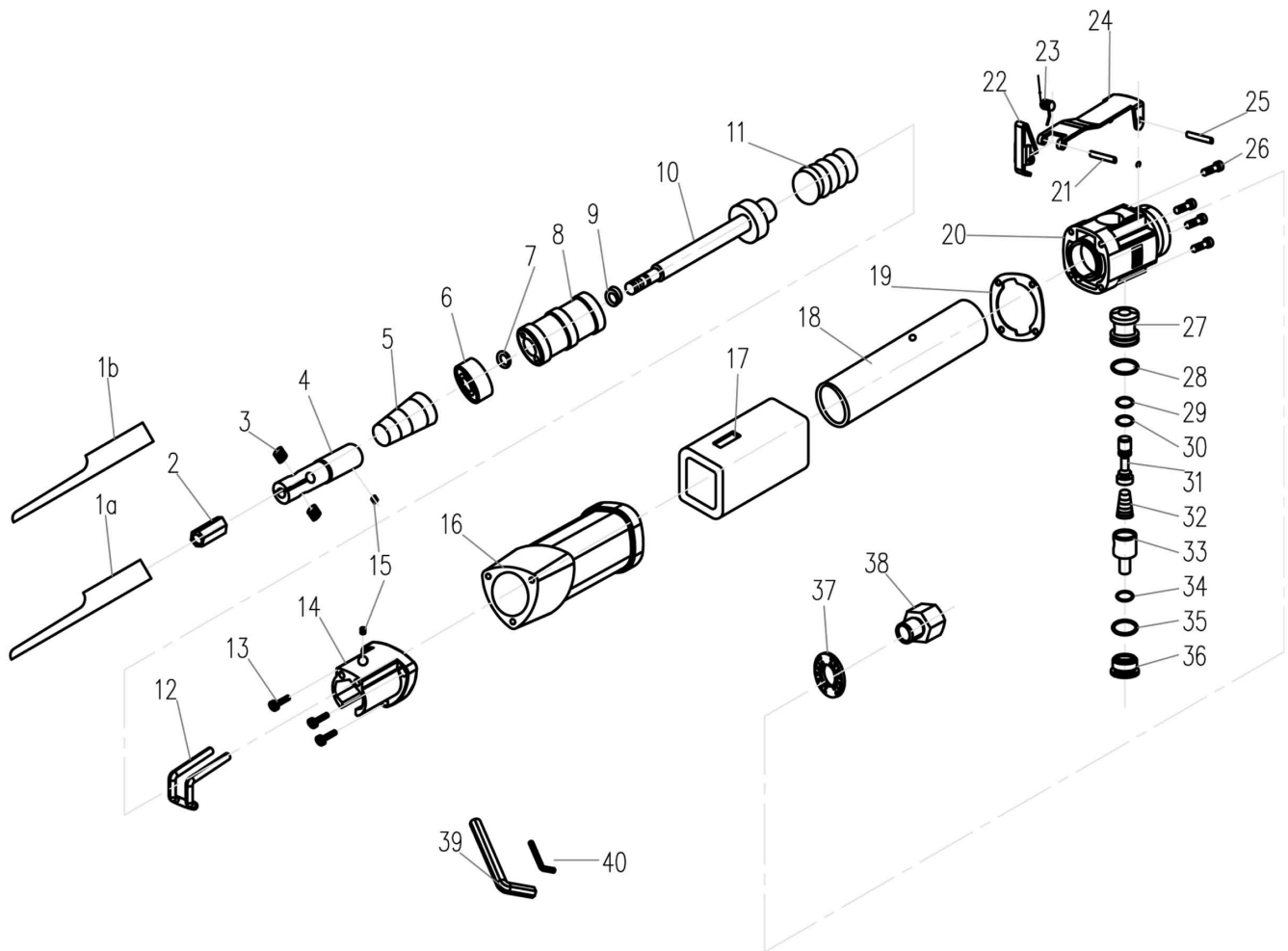
**Recommended lubricants:** Use Husky air tool oil or any other high grade turbine oil containing moisture absorbents, rust inhibitors, metal wetting agents and an EP (extreme pressure) additive.

# Exploded View and Parts List

## Air Reciprocating Saw

Model No. CAT823A

For replacement parts or the nearest service center, call toll free 1-877-782-8290



Ref.#	Part No.	Description	Qty	Ref.#	Part No.	Description	Qty
1a	CAT823A-RS-01a	Blade, 18 TPI	1	21	CAT823A-RS-21	Pin 2.5×16	1
1b	CAT823A-RS-01b	Blade, 24 TPI	1	22	CAT823A-RS-22	Trigger Pin	1
2	CAT823A-RS-02	Blade Bearing	1	23	CAT823A-RS-23	Spring	1
3	CAT823A-RS-03	Blade Setscrew	2	24	CAT823A-RS-24	Trigger	1
4	CAT823A-RS-04	Blade Chuck	1	25	CAT823A-RS-25	Pin 3×16	1
5	CAT823A-RS-05	Spring	1	26	CAT823A-RS-26	Screw M3×18	4
6	CAT823A-RS-06	Cylinder Cap	1	27	CAT823A-RS-27	Valve Stem Bushing	1
7	CAT823A-RS-07	O-ring 9.5×1.8	1	28	CAT823A-RS-28	O-ring 12.5×1.8	1
8	CAT823A-RS-08	Piston	1	29	CAT823A-RS-29	O-ring 4×1.5	1
9	CAT823A-RS-09	Bumper	1	30	CAT823A-RS-30	O-ring 4.5×1.8	1
10	CAT823A-RS-10	Piston Assembly	1	31	CAT823A-RS-31	Valve Stem	1
11	CAT823A-RS-11	Spring	1	32	CAT823A-RS-32	Spring	1
12	CAT823A-RS-12	Safety Guard	1	33	CAT823A-RS-33	Adjuster	1
13	CAT823A-RS-13	Screw M3×12	3	34	CAT823A-RS-34	O-ring 5.6×1.8	1
14	CAT823A-RS-14	Saw Head	1	35	CAT823A-RS-35	O-ring 11.5×1.6	1
15	CAT823A-RS-15	Setscrew M3×3	2	36	CAT823A-RS-36	Screw Cap	1
16	CAT823A-RS-16	Housing	1	37	CAT823A-RS-37	Washer	1
17	CAT823A-RS-17	Cushion Grip	1	38	CAT823A-RS-38	Air Inlet	1
18	CAT823A-RS-18	Cylinder	1	39	CAT823A-RS-39	Hex Key, 4mm	1
19	CAT823A-RS-19	Gasket	1	40	CAT823A-RS-40	Hex Key, 1.5mm	1
20	CAT823A-RS-20	End cap	1				

**Trouble Shooting Chart**

Low Power	Erratic Action	Blows Air Won't Run	Tool Noisy	Causes and Solutions
★				Check air pressure.
★	★	★	★	Check for water in lines.
★	★	★	★	Oil tool with air tool oil.
★		★		Check power regulator setting.
★		★		Check air hose.

**2 Year Warranty**

If within two (2) years from date of purchase, this Husky product fails due to a defect in materials or workmanship, return the product to any The Home Depot retail store with a receipt indicating proof of purchase for replacement with an item of equal or greater value. This warranty excludes incidental/consequential damages and failures due to misuse, abuse or normal wear and tear. This warranty gives you specific rights, and you may also have other rights, which vary, from state to state. Please see store or call 1-888-HD-HUSKY for details.



**Sold Exclusively at The Home Depot**

2455 Paces Ferry Road, N.W. Atlanta, Georgia 30339



## Manual de Instrucciones de Operación y Lista de Partes

### Sierra Alternativa Neumática

Modelo No. CAT823A SKU No. 132499

## Tabla de materias

- Especificaciones
- Información de Seguridad General
- Características Y Funcionamiento
- Mantenimiento
- Lista de las partes de repuesto
- Garantía

### Specifications

Velocidad libre: .....	5,600 SPM
Capacidad Máxima de Corte: .....	16 Gauge (1.5 mm)
Longitud de carrera: .....	9.6mm
Longitud general: .....	251mm
Peso: .....	0.91kg
Consumo promedio de aire: .....	85 l/min
Presión de aire máxima: .....	6,2 bar
Tamaño recomendado de manguera: .....	9,5 mm(I.D.)
Entrada de aire: .....	1/4" NPT



### Descripción

La Sierra Recíproca Neumática modelo núm. CAT823A de Husky está diseñada para cortar diferentes materiales como aluminio, plástico, fibra de vidrio, madera y hojalata hasta calibre 16. Una herramienta con un diseño afinado para cortar con facilidad superficies curvas y círculos cerrados. Válvula de bloqueo automático para evitar arranques accidentales. Agarre de material compuesto mayor confort y control.

### Información de Seguridad General



#### Lea las instrucciones de operación

Siempre familiarícese con todas las instrucciones y advertencias antes de operar cualquier herramienta neumática.



#### Siempre use protección para los ojos aprobada

La protección para los ojos resistente al impacto, tiene que cumplir o exceder los estándares establecidos en ANSI Z87.1 de Estados Unidos sobre la Protección de los Ojos y de la Cara en el Trabajo y la Educación. Mire la sección Z87.1 sobre la protección para los ojos para asegurarse que está usando un estilo aprobado. Para más información la publicación de ANSI Z87.1 de Estados Unidos sobre la Protección de los Ojos Y de la Cara en el Trabajo y la Educación, está disponible en el American National Standards Institute, Inc., 11 West 42<sup>nd</sup> Street, New York, NY 10036



#### Se recomienda la protección de los oídos

La protección de los oídos se tiene que usar cuando la exposición al nivel del ruido es igual o excede un nivel de ruido promedio de 85dBA con la importancia del factor de tiempo de 8 horas. El ruido del proceso, las superficies reflectoras, las demás herramientas que están operando cerca, aumentan el nivel del ruido en su área de trabajo. Si no puede determinar su nivel de exposición al ruido, le recomendamos que use protección para los oídos



#### Evite la exposición prolongada a la vibración

Las herramientas neumáticas pueden vibrar durante el uso. La exposición prolongada a la vibración o los los brazos muy repetidos pueden producir lesiones. Deje de usar cualquier herramienta si siente incomodidad, hormigueo o dolor. Debe consultar a su doctor antes de volver a usar la herramienta.



#### 620 kPa presión atmosférica, máximo

Ha sido diseñada para operar a 620 kPa sobre la presión atmosférica, máximo, en la herramienta. Si se usa una mayor presión de aire puede y de hecho producirá lesiones. También la presión de aire mayor pone a los componentes internos bajo cargas y esfuerzos para los cuales no habían sido diseñados produciendo fallas prematuras en la herramienta. El abastecimiento de aire debe ser limpio y seco, preferiblemente lubricado. Para lograr los mejores resultados drene la humedad de su compresor diariamente.

El riesgo que usted se expone debido a estos factores varía según la frecuencia con que usted desarrolle este tipo de trabajo. Para reducir su exposición a estos químicos: realice su trabajo en un área con buena ventilación y trabaje con equipo de seguridad aprobado, como las máscaras protectoras de polvo diseñadas especialmente para filtrar partículas microscópicas



Vendidos exclusivamente en The Home Depot

2455 Paces Ferry Road, N.W. Atlanta, Georgia 30339



## INSTRUCCIONES IMPORTANTES DE SEGURIDAD

### INSTRUCCIONES RESPECTO AL RIESGO DE INCENDIO, CHOQUE ELÉCTRICO, O LESIONES A LAS PERSONAS

ADVERTENCIA – Algunos polvos producidos al usar herramientas eléctricas contienen sustancias químicas que el Estado de California sabe que causan cáncer y defectos congénitos u otras lesiones reproductivas.

**ADVERTENCIA – Al usar el producto, siempre deben seguirse precauciones básicas, incluyendo lo siguiente:**

**General: para reducir los riesgos de choque eléctrico, incendio y lesiones a las personas, lea todas las instrucciones antes de usar la herramienta.**

#### Área de trabajo

1. **Mantenga el área limpia y bien iluminada.** Los bancos en desorden y las áreas oscuras aumentan los riesgos de choque eléctrico, incendio y lesiones a las personas.
2. **No opera la herramienta en atmósferas explosivas, como en presencia de líquidos, gases o polvos inflamables.** La herramienta puede producir chispas que causarán que se incendie el polvo o los vapores.
3. **Mantenga alejados a los espectadores, los niños y los visitantes mientras opera el producto.** Las distracciones pueden resultar en la pérdida de control de la herramienta.

#### Seguridad personal

1. **Manténgase alerta. Observe lo que hace y use sentido común cuando opera el producto . No use el producto cuando esté cansado o bajo la influencia de drogas, alcohol o medicamentos.** Un momento de falta de atención mientras opera la herramienta aumenta el riesgo de lesiones a las personas.
2. **Vista ropa apropiada. No use ropa suelta ni joyas. Recójase el cabello largo. Mantenga el cabello, la ropa y los guantes lejos de las piezas en movimiento.** La ropa suelta, las joyas y el cabello largo aumentan el riesgo de lesiones a las personas si quedan atrapados en las piezas en movimiento.
3. **Quite las chavetas y llaves de ajuste antes de encender la herramienta.** Una chaveta o llave que se deje fijada a una parte giratoria de la herramienta puede aumentar el riesgo de lesiones personales.
4. **No alcance demasiado lejos.** Mantenga el apoyo y el equilibrio adecuados en todo momento, ya que esto le permitirá tener mayor control de la herramienta en situaciones inesperadas.
5. **Use equipo de seguridad.** Una máscara contra polvo, zapatos de seguridad antideslizantes y un casco deben usarse en las condiciones apropiadas.
6. **Siempre use protección para los ojos.**
7. **Siempre use protección para los oídos cuando use la herramienta.** La exposición prolongada al ruido de alta intensidad puede causar pérdida de la audición.
8. **Desconecte el producto del suministro de aire antes de hacer ajustes.**
9. **Evite que se encienda involuntariamente. Asegúrese de que el interruptor esté en posición de apagado antes de conectar al suministro de aire.** No lleve la herramienta de un lado a otro con el dedo en el interruptor ni conecte la herramienta al suministro de aire con el interruptor en posición de encendido.



1. Inspeccione la conexión de la manguera antes de cada uso.
2. No exceda 6,2 bar al usar herramientas neumáticas.
3. No doble, tuerza, anude ni desgaste la manguera.

### Margen aplicable:

Es aplicable para herramientas y accesorios neumáticos.

### Especificaciones:

Presión de trabajo máxima de herramientas de aire.....6,2 bar.

**ADVERTENCIA: No exceda 6,2 bar de presión de aire.**

## Operación

### Uso y cuidado de la herramienta

1. **Use abrazaderas u otra manera práctica de asegurar y apoyar la pieza de trabajo en una plataforma estable.** Sostener el trabajo con la mano o contra el cuerpo es inestable y puede conducir a pérdida de control.
2. **No fuerce la herramienta. Use la herramienta correcta para la aplicación.** La herramienta correcta hará un trabajo mayor y más seguro al régimen para el cual se diseñó.
3. **No use la herramienta si el interruptor no enciende o no apaga la herramienta.** Cualquier herramienta que no pueda controlarse con el interruptor es peligrosa y debe repararse.
4. **Desconecte la herramienta del suministro de aire antes de hacer ajustes, cambiar accesorios o guardar la herramienta.** Esas medidas de seguridad preventivas reducen el riesgo de encender la herramienta involuntariamente.
5. **Cuando no la esté usando, guarde la herramienta fuera del alcance de los niños y de otras personas no capacitadas.** Una herramienta es peligrosa en manos de usuarios no capacitados.
6. **Mantenga la herramienta con cuidado.** Mantenga una herramienta de cortar afilada y limpia. Una herramienta debidamente mantenida y con bordes de cortar afilados reduce el riesgo de que se trabaje y es más fácil de controlar.
7. **Verifique que no esté mal alineada, que las piezas en movimiento no estén trabadas, que no tenga piezas rotas y cualquier otra condición que afecte el funcionamiento de la herramienta.** Si la herramienta está dañada, haga que se le dé servicio antes de usarla. Muchos accidentes son causados por herramientas mal mantenidas. Si la herramienta está dañada, hay riesgo de que estalle.
8. **Sólo use los accesorios que el fabricante ha identificado para el modelo de herramienta específico.** El uso de un accesorio que no ha sido diseñado para usarse con el modelo de herramienta específico aumenta el riesgo de lesiones a las personas.

### Servicio

1. **El servicio de la herramienta debe ser llevado a cabo por una persona calificada para repararla.**
2. **Al dar servicio a una herramienta, sólo use piezas de reemplazo idénticas. Sólo use piezas autorizadas.**
3. **Sólo use los lubricantes suministrados con la herramienta o especificados por el fabricante.**

### Suministro de aire

1. **Nunca conecte a un suministro de aire que sea capaz de exceder 8,0 bar.** Presurizar excesivamente la herramienta puede causar un funcionamiento de estallido y anormal, que se rompa la herramienta o lesiones graves a las personas. Sólo use aire comprimido limpio, seco y regulado a la presión nominal o dentro del margen de presión nominal que está marcado en la herramienta. Antes de usar la herramienta, siempre verifique que el suministro de aire se haya ajustado a la presión de aire nominal o dentro del margen de presión de aire nominal.
2. **Nunca use oxígeno, dióxido de carbono, gases combustibles ni ningún gas embotellado como un suministro de aire para la herramienta.** Dichos gases pueden causar una explosión y lesiones graves a las personas.

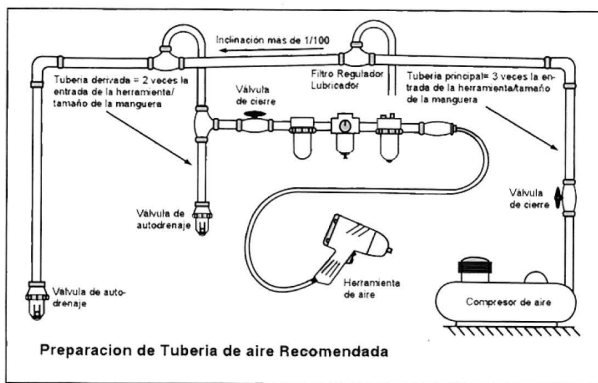
## INSTRUCCIONES DE MANTENIMIENTO DEL USUARIO

### GUARDE ESTAS INSTRUCCIONES

### Instalación

Siempre use aire limpio y seco. La humedad excesiva y la mugre reducen considerablemente la duración de cualquier motor de aire. Recomendamos la instalación en línea de un filtro-regulador-lubricador, tan cerca de la herramienta como sea posible.

Es necesario usar una manguera de 3/8" de hasta 2.44m de largo. Si se necesita una mayor longitud, se debe conectar una manguera de aire de 1/2" a la de 3/8", para asegurarse que la herramienta cuente con el abastecimiento de aire necesario. Asegúrese que todas las mangueras u los accesorios sean del tamaño correcto y que queden firmemente asegurados.



### Pre-Operación

Antes de que se conecte la herramienta al abastecimiento de aire, despeje la acumulación de polvo y de humedad de la manguera de aire. Antes de remover la herramienta para darle servicio o de cambiar los casquillos, asegúrese que la tubería de aire esté apagada y que no tenga aire. Esto impedirá que la herramienta funcione si se engancha el mando por accidente.

Las herramientas neumáticas siempre requieren lubricación para operar. La lubricación adecuada es la responsabilidad del propietario. El no lubricar la herramienta adecuadamente ni darle el mantenimiento debido, reducirá drásticamente su duración y cancelaría la garantía.

Asigne un área de trabajo que esté limpia y bien ventilada.

Secure piezas sueltas con un tornillo de banco o pinzas (no incluido) para evitar el movimiento durante el trabajo.

### ADVERTENCIA

**Nunca use esta Sierra Alternativa para cortar aceros termotratados, de alto contenido de carbono, o flejes de acero. El cortar estos metales con esta cortadora podría ocasionarle lesiones graves.**

**Antes de usar siempre compruebe que la Cuchilla y el Protector de Seguridad estén bien asegurados.**

**Siempre use guantes para operar esta cortadora para evitar cortarse con las puntas afiladas o los residuos del metal cortado.**

### PRECAUCIÓN

**Verifica que las cuchillas no estén agrietadas, dobladas o sin filo.**

### Operación

**Esta sierra puede cortar aluminio, cobre, hojalata, madera y plástico.**

### ADVERTENCIA

**En el caso de la hojalata úsala sólo para grosores menores a un calibre 16.**

**Siempre debe usarse el Protector de Seguridad durante su funcionamiento. No hacerlo podría causar lesiones serias..**

1. Afloja el Tornillo Fijo del Protector de Seguridad (15) y ajusta este último (12) en la posición deseada. Aprieta el tornillo fijo antes de usar.
2. Oprime el gatillo (24) para poner a funcionar la Cuchilla de la Sierra (1).
3. Coloca la Cuchilla de la Sierra en el borde del material a cortar.
4. Empuja de manera sostenida sin ejercer demasiada fuerza o giros abruptos en cualquier dirección.
5. La herramienta debe mantenerse encendida cuando se retira del corte. La cuchilla se trabará y romperá si no está funcionando.
6. Si terminaste o deseas cambiar la cuchilla, suelta el gatillo y desconecta la entrada de aire.

### PRECAUCIÓN

**Las cuchillas se calientan durante el corte. Deja enfriar las cuchillas antes de tocarlas.**

**Antes de trabajar la pieza de corte, las cuchillas deben alcanzar la velocidad máxima. Durante el corte no fuerces las cuchillas contra la pieza de corte. Presiona de manera moderada para que las cuchillas corten sin forzarlas. Luego apaga la sierra y espera a que las cuchillas se detengan por sí solas. No trates de detener las cuchillas a la fuerza.**

### ADVERTENCIA:

En algunos casos, el polvo ocasionado por lijado mecánico, aserrado, rectificación, perforación y otras actividades de construcción contiene químicos que se sabe son causantes de cáncer, defectos congénitos u otros daños en el sistema reproductivo. Algunos ejemplos de estos químicos son:

Plomo en pinturas con base de plomo, silice cristalina en ladrillos y cemento y otros productos de mampostería, arsenico y cromo en Madera tratada con químicos

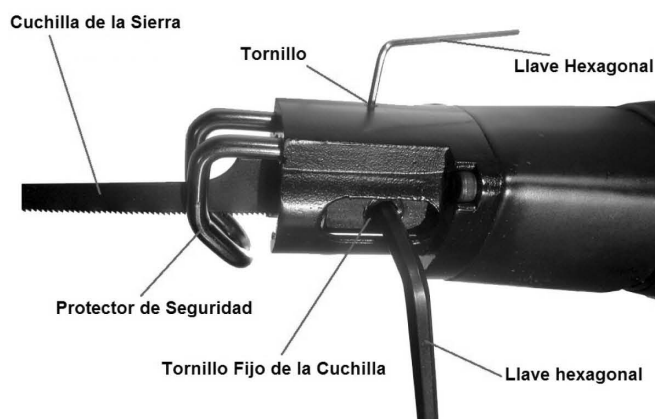
El riesgo que usted se expone debido a estos factores varía según la frecuencia con que usted desarrolle este tipo de trabajo. Para reducir su exposición a estos químicos: Realice su trabajo en un área con buena ventilación y trabaje con equipo de seguridad aprobado, como las máscaras protectoras de polvo diseñadas especialmente para filtrar partículas microscópicas.

### Mantenimiento

#### Cambio de la Cuchilla

#### **⚠ ADVERTENCIA**

Desconecta siempre la sierra de la entrada de aire antes de poner o cambiar las cuchillas.



6. Siempre uso la cuchilla de reemplazo recomendada para esta herramienta.
7. Al cambiar las cuchillas debes quitar su Protector de Seguridad (12).
8. Con una llave hexagonal afloja los dos Tornillos Fijos de la Cuchilla (3).
9. Cambia la cuchilla.
10. Vuelva a ensamblar en orden invertido.

#### **⚠ ADVERTENCIA**

Acuérdate de apretar de manera pareja los dos Tornillos por ambos lados.

Antes de usar siempre comprueba que la Hoja y el Protector de Seguridad estén bien seguros.

### Lubricación

Le recomendamos usar un filtro-regulador-lubricador automático en línea debido a que aumenta la vida útil de la herramienta y la mantendrá funcionando continuamente. El lubricador en línea debe ser inspeccionado regularmente y llenarse con un aceite para herramientas neumáticas. Para ajustar correctamente el lubricador en línea, coloque una hoja de papel al lado de los orificios de ventilación mientras se mantiene abierto el acelerador por 30 segundos aproximadamente. El lubricador estará debidamente distribuido cuando se acumule una pequeña mancha de aceite en el papel. Debe evitarse una cantidad excesiva de aceite.

En caso que sea necesario guardar la herramienta por un periodo prolongado (de un día al otro, durante el fin de semana, etc.) en ese momento debe dársele una buena lubricación a la herramienta. La herramienta deberá ser utilizada por un periodo de 30 segundos para asegurarse que el aceite esté distribuido a través de toda la herramienta. Esta herramienta debe guardarse en un lugar limpio y seco.

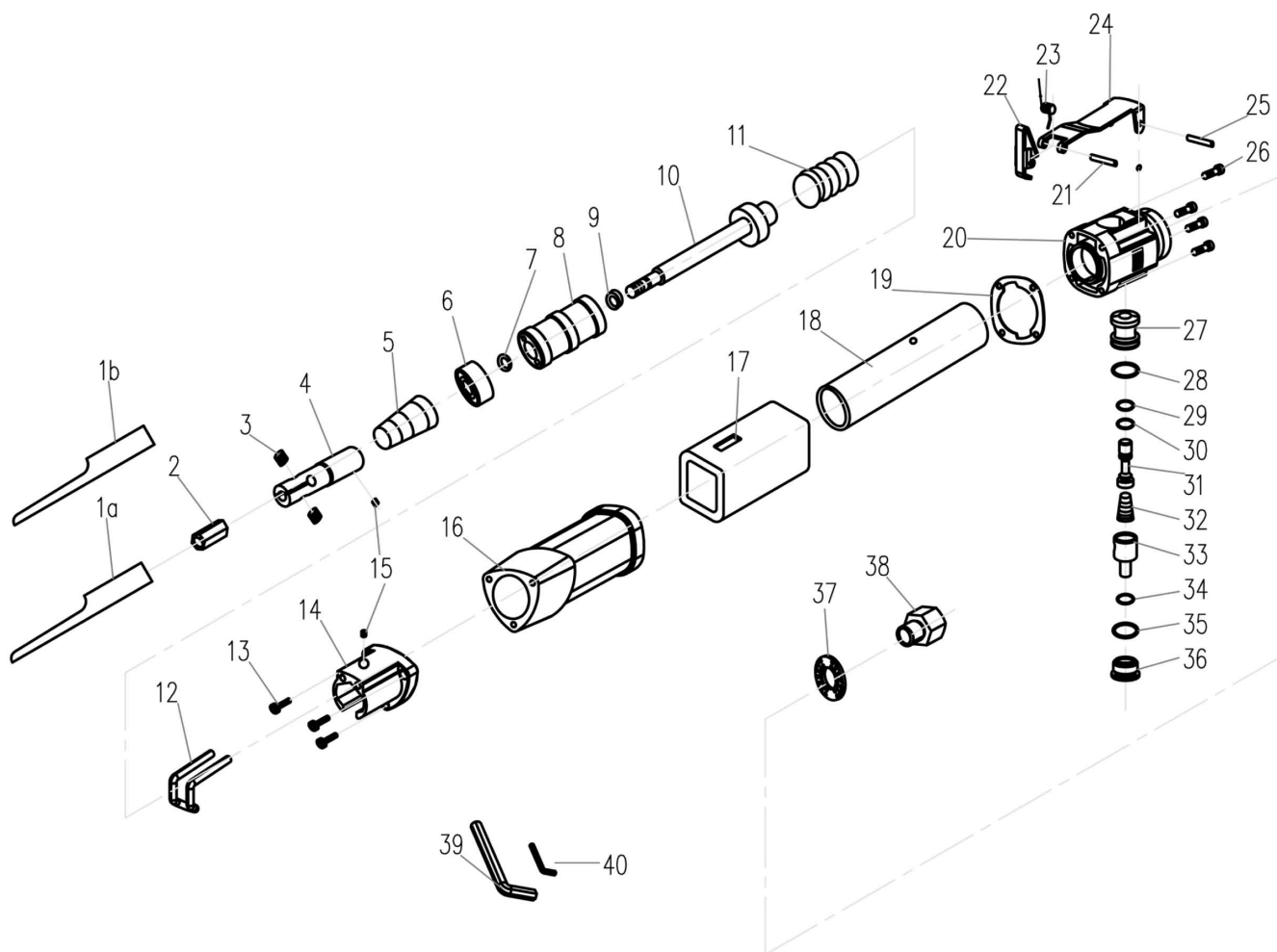
**Lubricantes recomendados:** Use husky aceite para herramientas neumáticas u otro tipo de aceite de alto grado para turbina, que contenga absorbentes de humedad, inhibidores de óxido, agentes lubricantes de metal y un aditivo para EP (presión extrema).

# Lista de partes y componentes

## Sierra Alternativa Neumática

Modelo No. CAT823A

Para obtener repuestos o conocer el centro de servicio mas cercano, llame gratis al 1-877-782-8290



Ref. N.º	Pieza N.º	Descripción	Cant.	Ref. N.º	Pieza N.º	Descripción	Cant.
1a	CAT823A-RS-01a	Cuchilla, 18 DPP	1	21	CAT823A-RS-21	Clavija 2.5×16	1
1b	CAT823A-RS-01b	Cuchilla, 24 DPP	1	22	CAT823A-RS-22	Pasador	1
2	CAT823A-RS-02	Cojinete de la Cuchilla	1	23	CAT823A-RS-23	Vástago	1
3	CAT823A-RS-03	Tornillo Fijo de la Cuchilla	2	24	CAT823A-RS-24	Gatillo	1
4	CAT823A-RS-04	Mandril de la Cuchilla	1	25	CAT823A-RS-25	Clavija 3×16	1
5	CAT823A-RS-05	Vástago	1	26	CAT823A-RS-26	Tornillo M3×18	4
6	CAT823A-RS-06	Tapa Cilíndrica	1	27	CAT823A-RS-27	Buje del Vástago de la Válvula	1
7	CAT823A-RS-07	Junta tórica de 9.5×1.8	1	28	CAT823A-RS-28	Junta tórica de 12.5×1.8	1
8	CAT823A-RS-08	Pistón	1	29	CAT823A-RS-29	Junta tórica de 4×1.5	1
9	CAT823A-RS-09	Protector	1	30	CAT823A-RS-30	Junta tórica de 4.5×1.8	1
10	CAT823A-RS-10	Ensamblado de Pistón	1	31	CAT823A-RS-31	Vástago de la válvula	1
11	CAT823A-RS-11	Vástago	1	32	CAT823A-RS-32	Vástago	1
12	CAT823A-RS-12	Protector de Seguridad	1	33	CAT823A-RS-33	Ajustador	1
13	CAT823A-RS-13	Tornillo M3×12	3	34	CAT823A-RS-34	Junta tórica de 5.6×1.8	1
14	CAT823A-RS-14	Cabezal de la Sierra	1	35	CAT823A-RS-35	Junta tórica de 11.5×1.6	1
15	CAT823A-RS-15	Tornillo M3×3	2	36	CAT823A-RS-36	Tapa con Rosca	1
16	CAT823A-RS-16	Acaja	1	37	CAT823A-RS-37	Arandela	1
17	CAT823A-RS-17	Agarre Acoplado	1	38	CAT823A-RS-38	Admisión de Aire	1
18	CAT823A-RS-18	Cilindro	1	39	CAT823A-RS-39	Llave hexagonal, 4mm	1
19	CAT823A-RS-19	Grande	1	40	CAT823A-RS-40	Llave hexagonal, 1.5mm	1
20	CAT823A-RS-20	Tapa del extremo	1				

### Detección y solución de fallas

Baja	Acción errática	Sopla aire No funciona	No funciona Herramienta ruidosa	Causas y Soluciones
★				Compruebe presión de aire
★	★	★	★	Vea si hay aire en las líneas
★	★	★	★	Lubrique con aceite para herramienta neumática.
★		★		Compruebe posición del regulador de potencia
★		★		Compruebe la manguera de aire

### Garantía

Si dentro de un plazo de dos (2) años de la fecha de compra, este producto Husky falla debido a un defecto en los materiales o la mano de obra, devuelva el producto a cualquier tienda minorista The Home Depot, con un recibo que indique la prueba de compra, para el reemplazo con un artículo de igual o mayor valor. Esta garantía excluye los daños y las fallas incidentales y consecuentes debido a mal uso, abuso o desgaste normal.

Esta garantía le confiere derechos específicos y usted también podría tener otros derechos, los cuales varían de un estado a otro. Para los detalles, sírvase ir a la tienda o llamar al 1-888-HD-HUSKY.



**Vendidos exclusivamente en The Home Depot**

2455 Paces Ferry Road, N.W. Atlanta, Georgia 30339