

**SIMPLI™**  
**H O M E**

*Wyndent Hall™*  
HOME DECOR  
brooklyn + max™

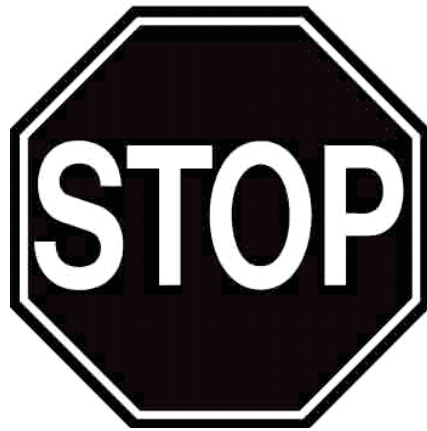
**CONNAUGHT / HAMPSHIRE / SOMERSET**

---

**ENTRYWAY STORAGE CABINET**

MODEL # 3AXCCON-04





## **DO NOT RETURN**

**FOR REPLACEMENT PARTS OR OTHER INQUIRIES  
PLEASE CONTACT US AT:**

**[simpli-home.com/customer-support](https://simpli-home.com/customer-support)**

**PLEASE ENSURE TO HAVE THE MODEL #  
FROM THE PACKAGING OR  
INSTRUCTION BOOKLET**

**IMPORTANT** : Please read this manual carefully before beginning assembly of this product. Keep this manual for future reference.

## SAFETY INFORMATION

Identify all the parts and hardware. Do not discard of the packaging until you have checked that you have all of the parts and hardware required. Hardware package may have spare parts.

**WARNING:** This item contains small parts which can be swallowed by children and pets. Keep children and pets away during assembly. To avoid danger of suffocation, always keep plastic bags away from children and pets.

We recommend that you assemble this unit on a carpeted floor to avoid scratches. We do not recommend the use of power tools for assembly as this could damage the unit. Only use manual tools.

May require 2 people for ease of assembly.

## CARE and MAINTENANCE

To clean, use a soft or slightly damp cloth, then wipe with a clean, dry cloth. Dust with soft dry cloth.

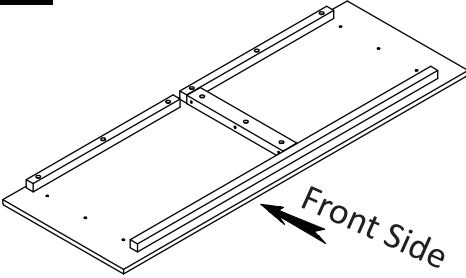
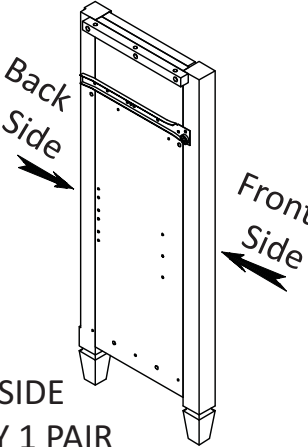
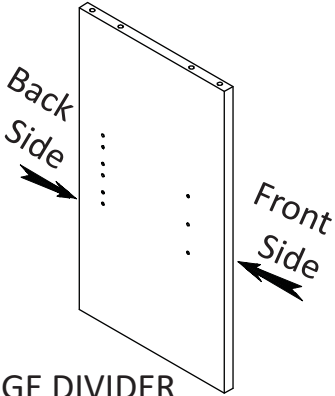
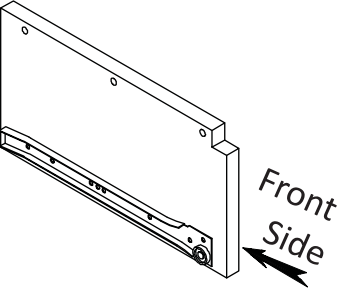
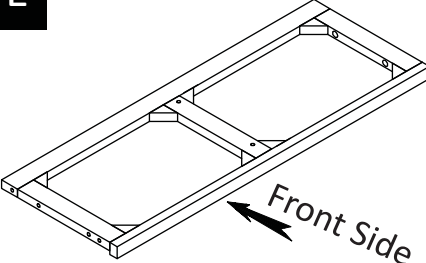
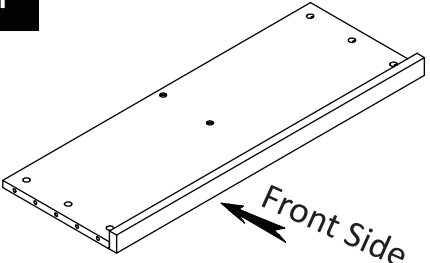
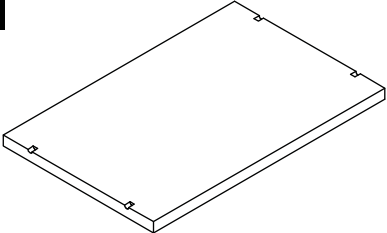
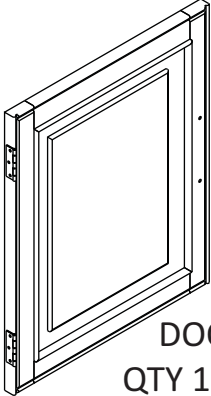
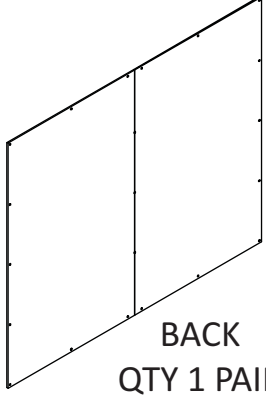
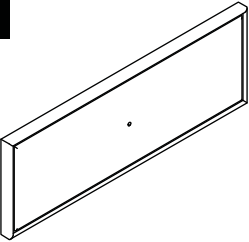
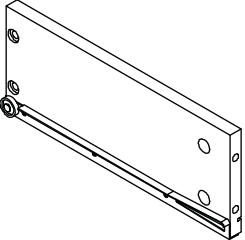
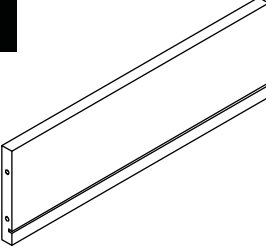
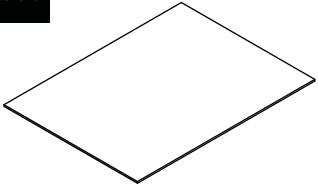
Do not use ammonia-based cleaning products, as they will damage the finish.

Do not leave liquids or damp cloths on this furniture.

To avoid dulling of the finish, do not place furniture in direct sunlight.

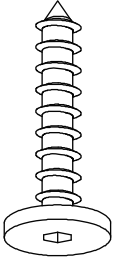
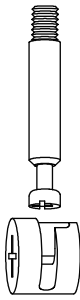


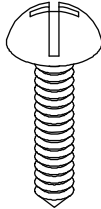
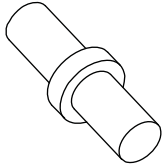
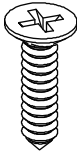
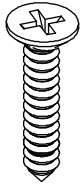
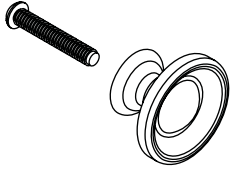
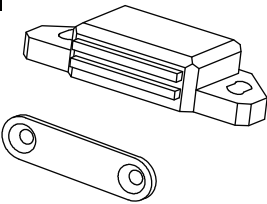

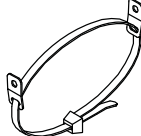
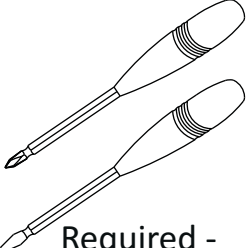
Please inspect and tighten all screws or bolts on a regular basis to ensure proper performance and safety of your item.

PARTS DESCRIPTION

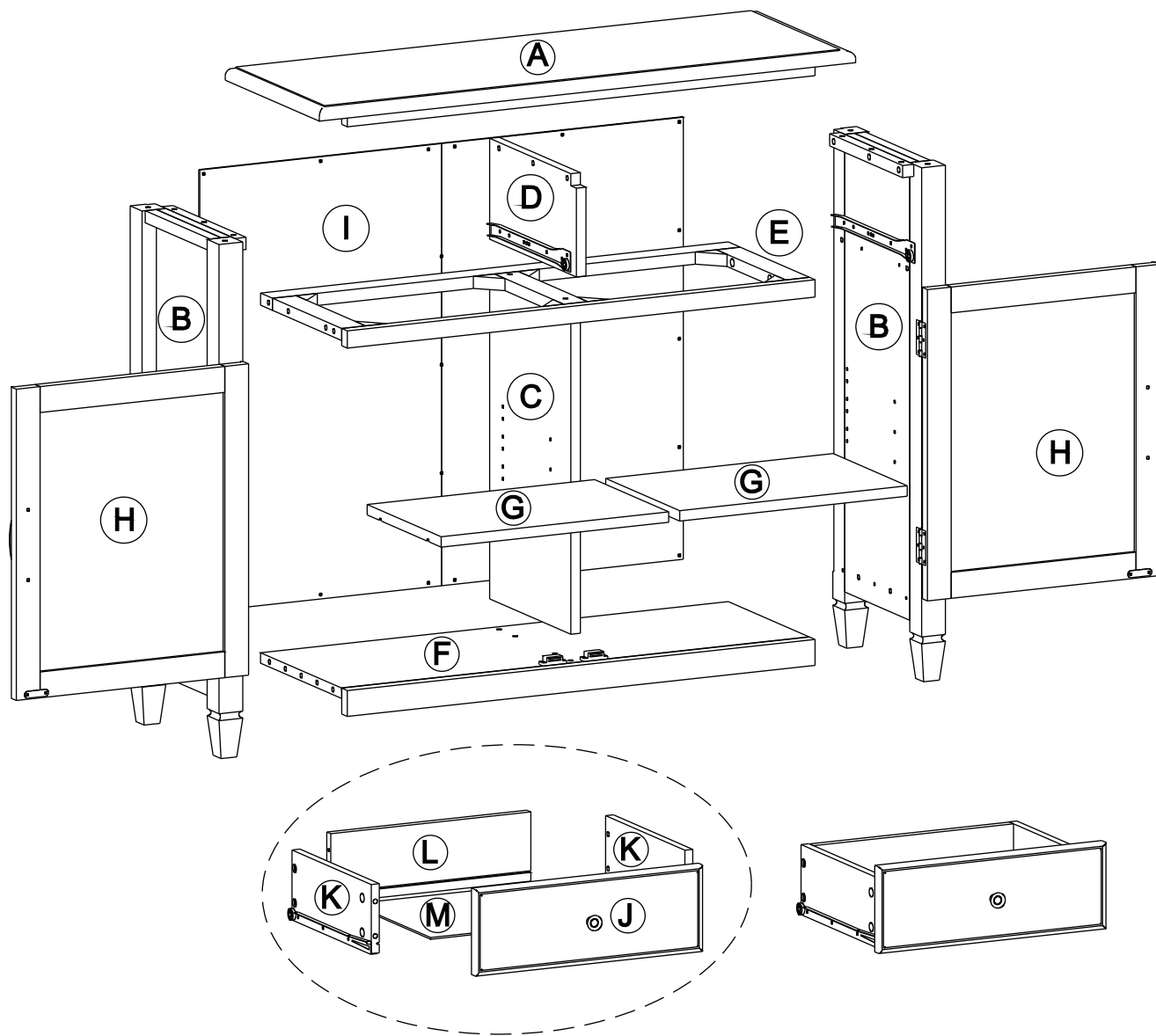
<p><b>A</b></p>  <p>TOP QTY 1</p>	<p><b>B</b></p>  <p>SIDE QTY 1 PAIR</p>	<p><b>C</b></p>  <p>LARGE DIVIDER QTY 1</p>	
<p><b>D</b></p>  <p>SMALL DIVIDER QTY 1</p>	<p><b>E</b></p>  <p>MIDDLE FRAME QTY 1</p>	<p><b>F</b></p>  <p>BOTTOM SHELF QTY 1</p>	
<p><b>G</b></p>  <p>CABINET SHELF QTY 2</p>	<p><b>H</b></p>  <p>DOOR QTY 1 PAIR</p>	<p><b>I</b></p>  <p>BACK QTY 1 PAIR</p>	
<p><b>J</b></p>  <p>DRAWER FRONT QTY 2</p>	<p><b>K</b></p>  <p>DRAWER SIDE QTY 2 PAIRS</p>	<p><b>L</b></p>  <p>DRAWER BACK QTY 2</p>	<p><b>M</b></p>  <p>DRAWER BOTTOM QTY 2</p>

**NEED HELP?** For help with assembly or if you are missing a part,  
Please call customer service at 1-866-518-0120 ext. 262 (9 am to 5 pm EST)

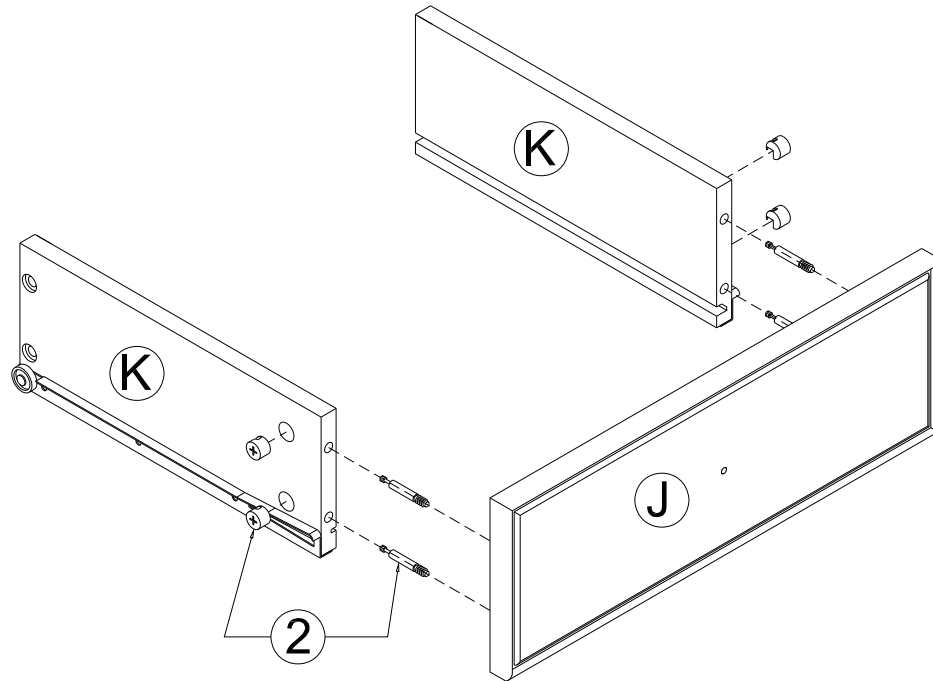
**HARDWARE DESCRIPTION**

<p><b>1</b></p>  <p>ALLEN KEY SCREW M6 X 30 mm QTY 26</p>	<p><b>2</b></p>  <p>CAM LOCK PIN CAM LOCK QTY 16</p>	<p><b>3</b></p>  <p>WOOD DOWEL Ø8 X 30 mm QTY 16</p>	
<p><b>4</b></p>  <p>ALLEN KEY QTY 1</p>	<p><b>5</b></p>  <p>PHILLIPS SCREW ROUND HEAD M4 X 15 mm QTY 21</p>	<p><b>6</b></p>  <p>SHELF SUPPORT QTY 12</p>	
<p><b>7</b></p>  <p>PHILLIPS SHORT SCREW M3 X 12 mm QTY 12</p>	<p><b>8</b></p>  <p>PHILLIPS MEDIUM SCREW M3 X 15 mm QTY 8</p>	<p><b>9</b></p>  <p>HANDLE QTY 2 SETS</p>	
<p><b>10</b></p>  <p>MAGNET and PLATE QTY 2 SETS</p>	<p><b>11</b></p>  <p>HANDLE QTY 2 SETS</p>	<p><b>12</b></p>  <p>a. M4 x 25mm b. M4 x 15mm c. M4 x 25mm</p> <p>TIPPING RESTRAINT-1 SET</p>	 <p>Required - Flathead screwdriver Phillips screwdriver <b>Not Included</b></p>

**NEED HELP?** For help with assembly or if you are missing a part,  
Please call customer service at 1-866-518-0120 ext. 262 (9 am to 5 pm EST)

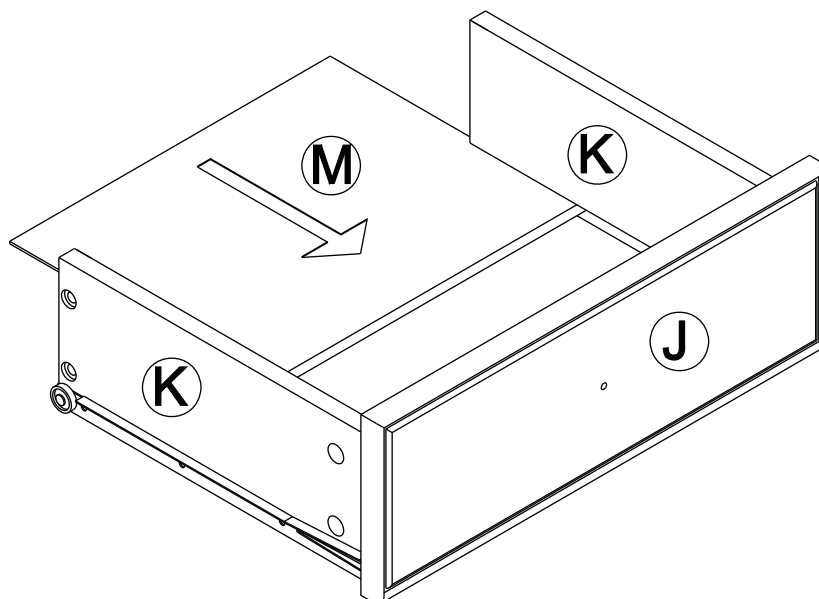


## STEP 1



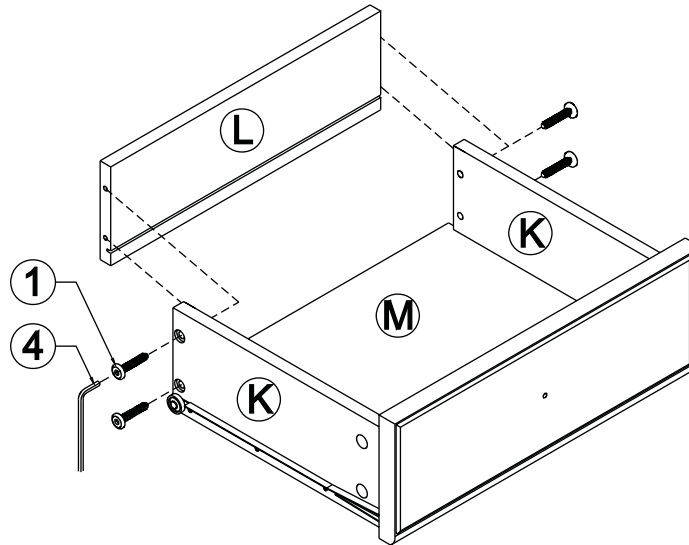
1. Attach 4 Cam Lock Pins (2) to back of Drawer Front (J).
2. Align Cam Lock Pins with pre-drilled holes and attach Drawer Sides (K).
3. Insert 2 Cam Locks (2) into pre-drilled holes on each Drawer Side (K).
4. Use flathead screwdriver secure Cam Locks.

## STEP 2



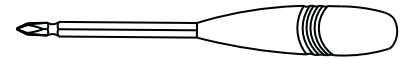
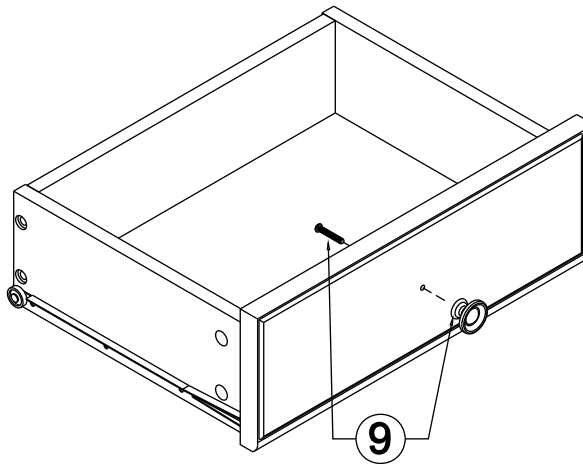
1. Slide Drawer Bottom (M) firmly into slots on Drawer Sides (K) and Drawer Front (J).

STEP 3



1. Align Drawer Back (L) with Drawer Bottom (M) and press firmly into slot .
2. Attach back using 2 Allen Key Screws (1) through pre-drilled holes on each Side (K).
3. Use Allen Key (4) to tighten screws. Do not over-tighten.

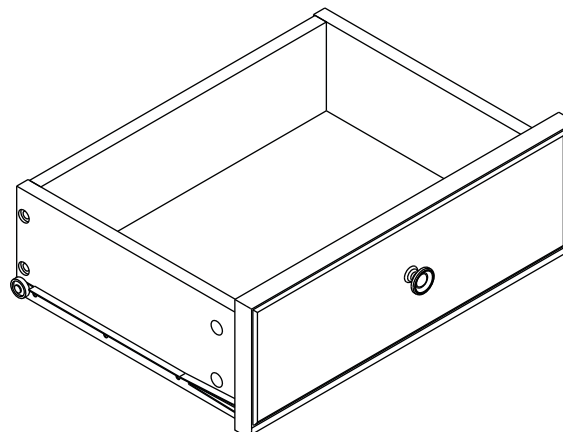
STEP 4



**NOTE:** The screwdriver is not included in the hardware pack.

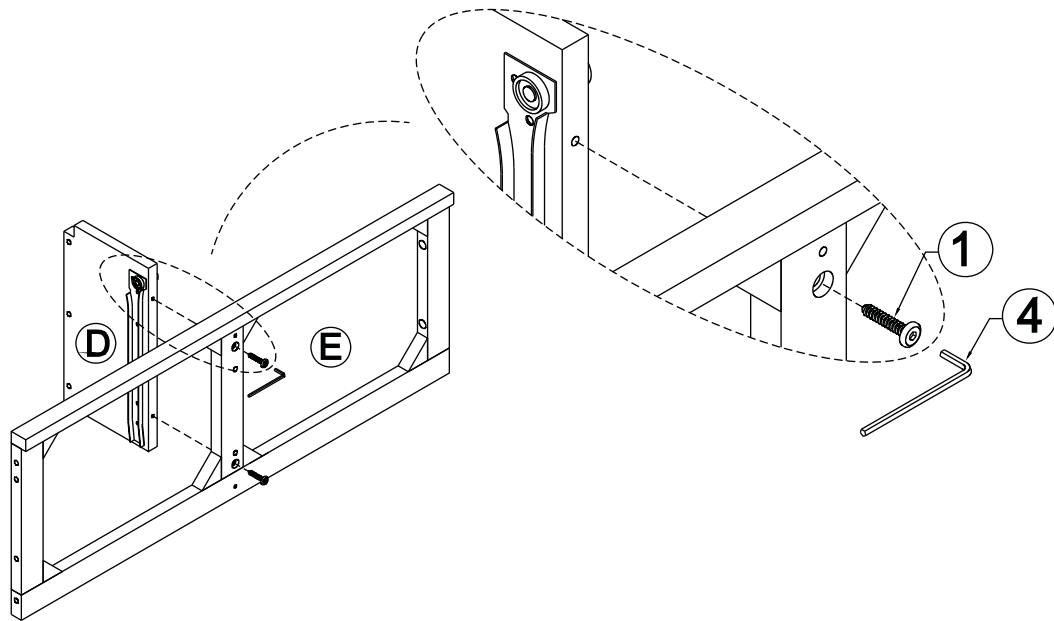
1. Use Phillips Screwdriver to attach Handle (9) to Drawer Front (J).

Repeat Step 1-4 for the second drawer.



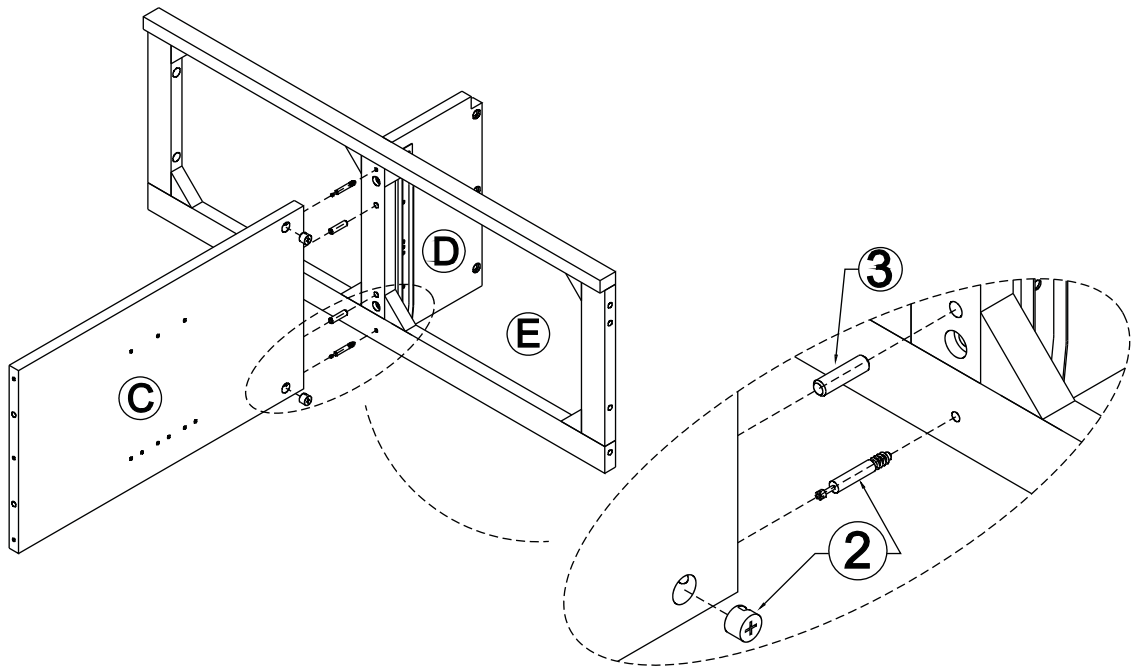


## STEP 5



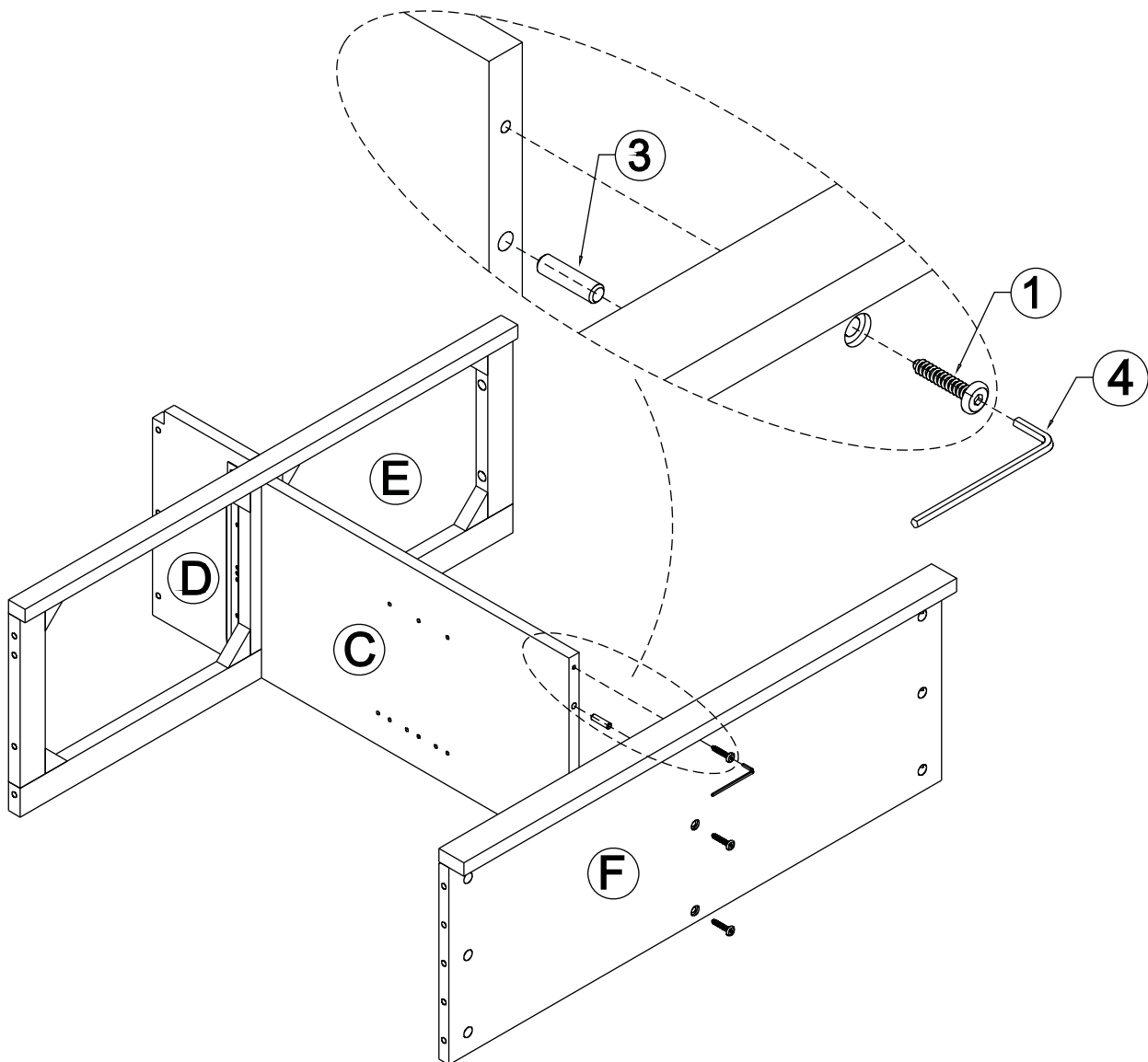
1. Attach Small Divider (D) to Middle Frame (E) using 2 Allen Key Screws (1).
2. Use Allen Key (4) to tighten screws. Do not over-tighten.

## STEP 6



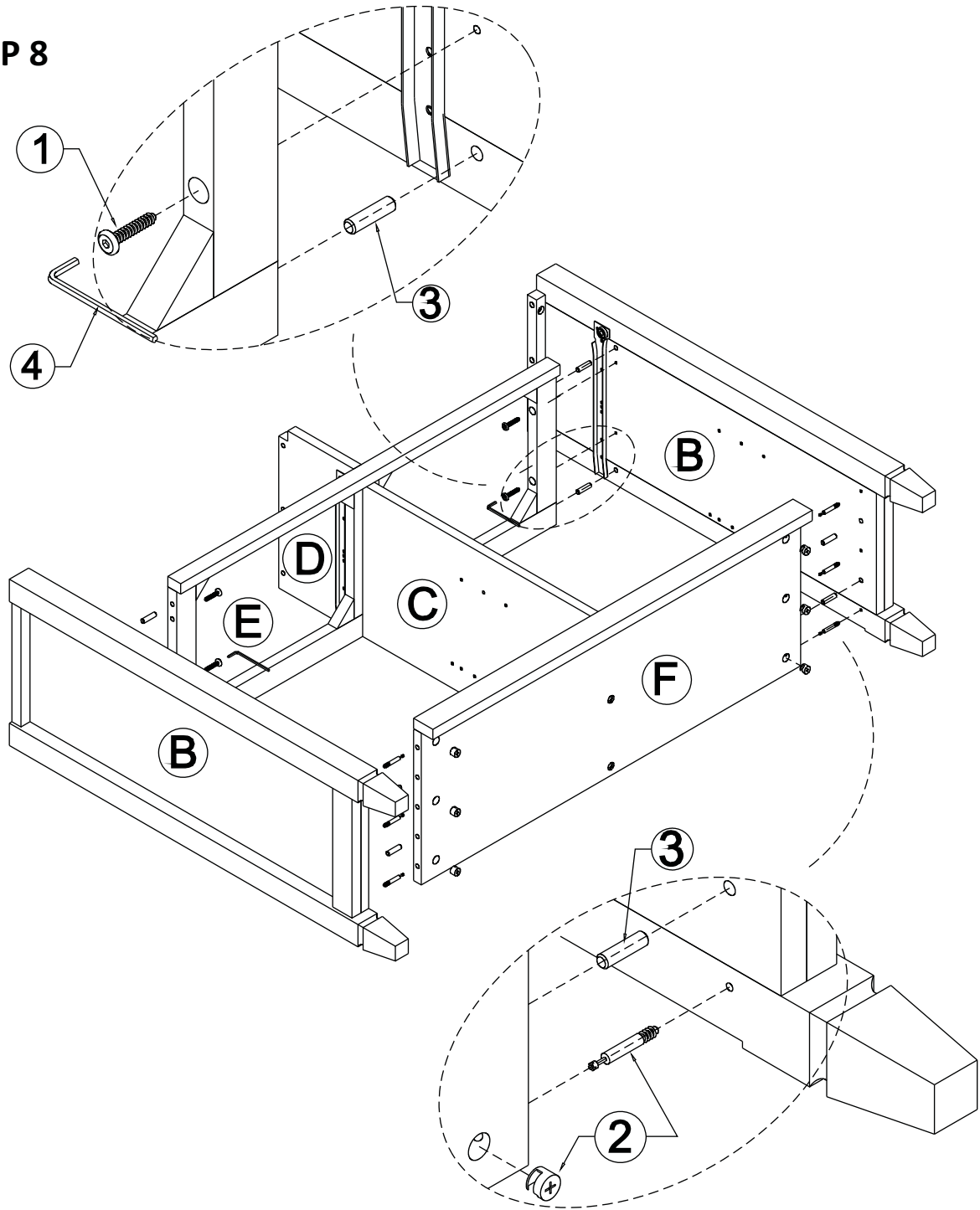
1. Insert 2 Dowels (3) into pre-drilled holes on Large Divider (C).
2. Use rubber mallet to tap Dowels (3) into bottom of holes securely.  $\frac{1}{2}$  length of Dowels should be exposed.
3. Attach 2 Cam Lock Pins (2) to Middle Frame (E) into guide holes.
4. Align and insert Cam Lock Pins on Middle Frame (E) into pre-drilled holes on Large Divider (C).
5. Place 2 Cam Locks (2) into pre-drilled holes on Large Divider (C).
6. Use a flathead screwdriver to tighten Cam Locks into Pins.

## STEP 7



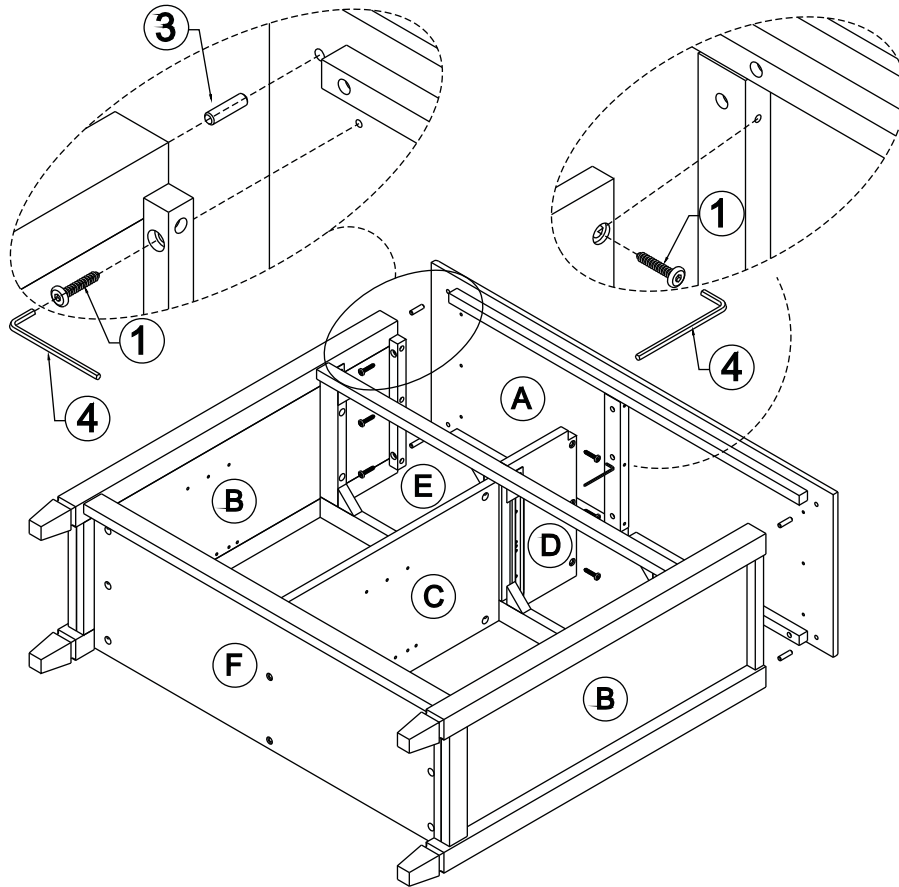
1. Insert 2 Dowels (3) into pre-drilled holes on Large Divider (C).
2. Use rubber mallet to tap Dowels (3) into bottom of holes securely.  $\frac{1}{2}$  length of Dowels should be exposed.
3. Attach Large Divider (C) to Bottom Shelf (F) using 3 Allen Key Screws (1) through pre-drilled holes.
4. Use Allen Key (4) to tighten screws. Do not over-tighten.

## STEP 8



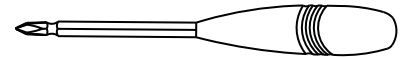
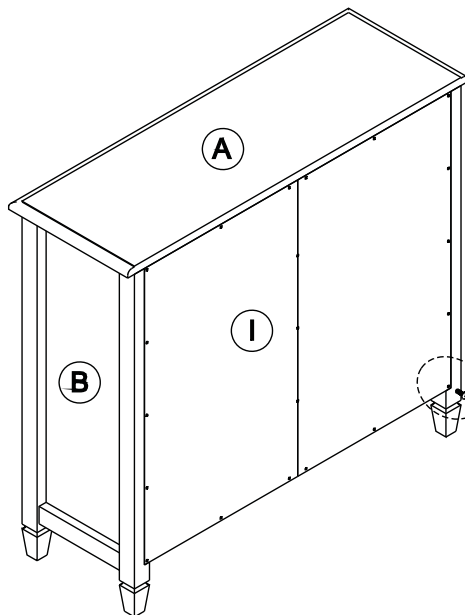
1. Insert 4 Dowels (3) into pre-drilled holes on each Side (B).
2. Use rubber mallet to tap Dowels (3) into bottom of holes securely. ½ length of Dowels should be exposed.
3. Attach 3 Cam Lock Pins (2) to each Side (B) into guide holes.
4. Align and insert Cam Lock Pins on Sides (B) into pre-drilled holes on Bottom Shelf (F).
5. Place 6 Cam Locks (2) into pre-drilled holes on Bottom Shelf (F)
6. Use a flathead screwdriver to tighten Cam Locks into Pins.
7. Attach Middle Frame (E) to Sides (B) using 4 Allen Key Screws (1) through pre-drilled holes ( 2 Screws / each Side ).
8. Use Allen Key (4) to tighten screws. Do not over-tighten.

STEP 9



1. Insert 2 Dowels (3) into top corners of each Side (B).
2. Use rubber mallet to tap Dowels (3) into bottom of holes securely. ½ length of Dowels should be exposed.
3. Align pre-drilled holes bottom corners of Top (A) with Dowels (3) in Sides (B).
4. Attach Top (A) to Sides (B) and Small Divider (D) using 9 Allen Key Screws (1).
5. Use Allen Key (4) to tighten screws. Do not over-tighten.

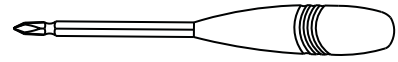
STEP 10



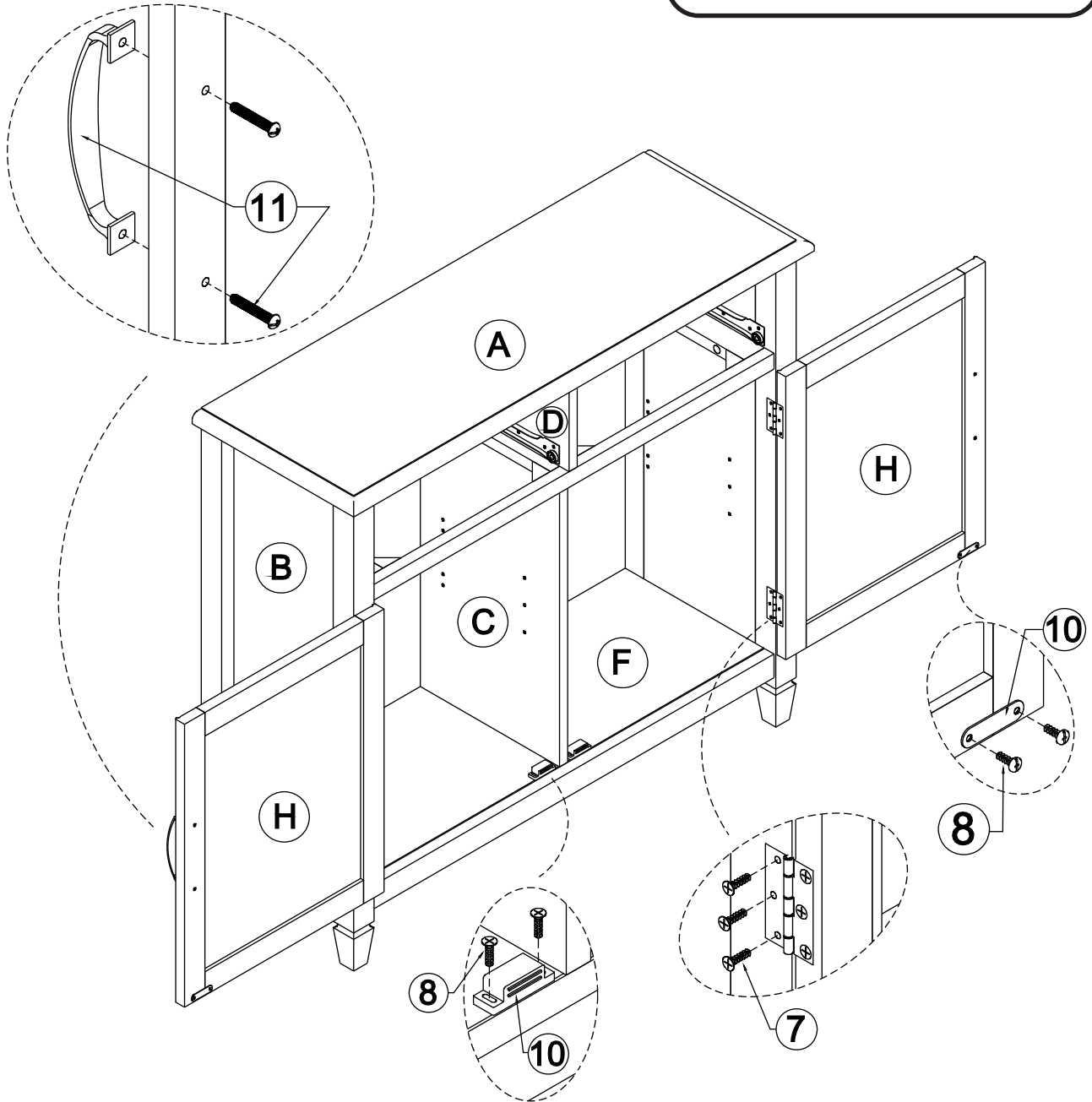
**NOTE:** The screwdriver is not included in the hardware pack.

1. Attach Back Panels (I) to back of cabinet using Phillips Screws Round Head (5) into pre-drilled guide holes.
2. Use Phillips screwdriver to tighten screws. Do not over-tighten.

STEP 11

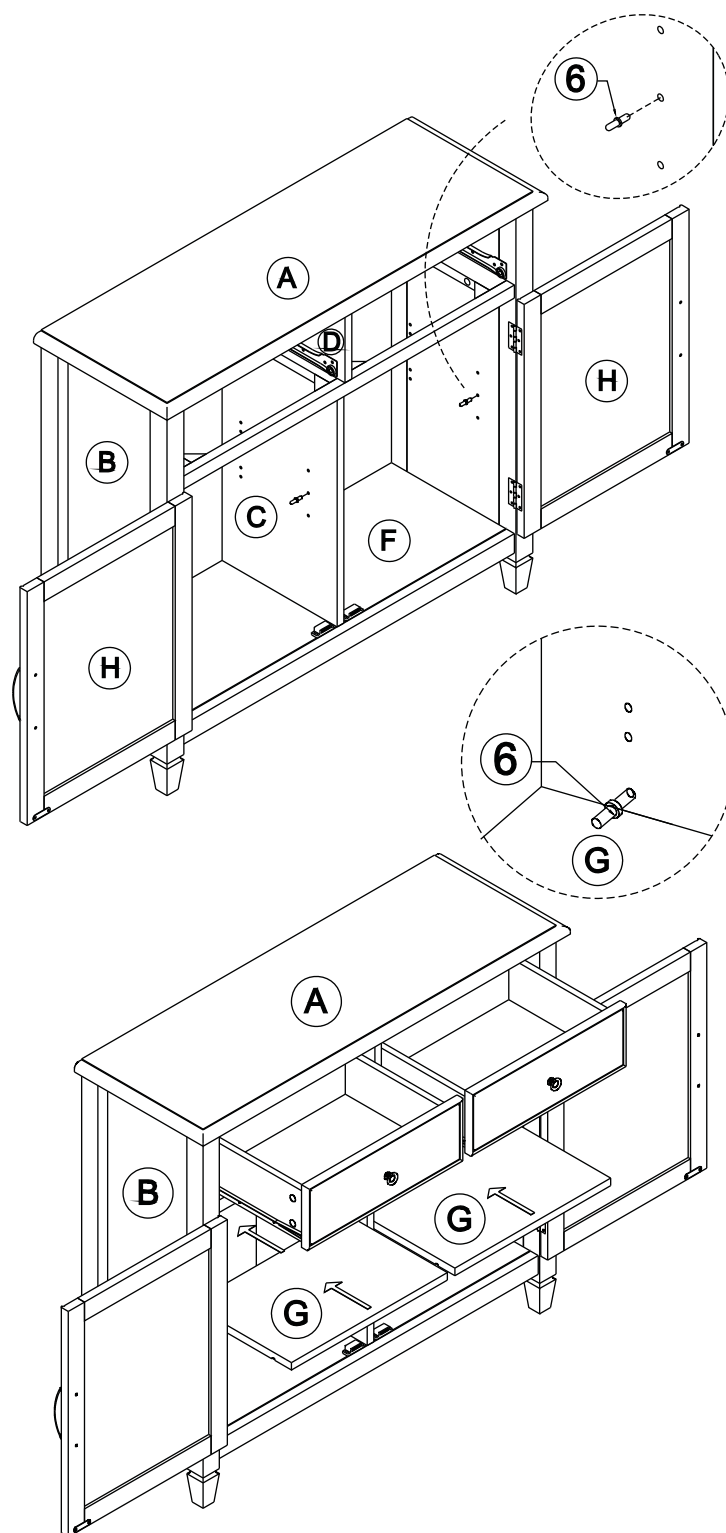


**NOTE:** The screwdriver is not included in the hardware pack.



1. Attach Hinges on Doors (H) to Sides (B) using Phillips Screws (7) into pre-drilled guide holes.
2. Attach Magnet Plates (10) to bottom corner of Doors (H) using Phillips Screws (8) into guide holes on Doors (H).
3. Attach Magnet (10) to Bottom Shelf (F) using Phillips Screws (8) into guide holes on Bottom Shelf (F).
4. Use Phillips screwdriver attach Handles (11) to Doors (H).

## STEP 12

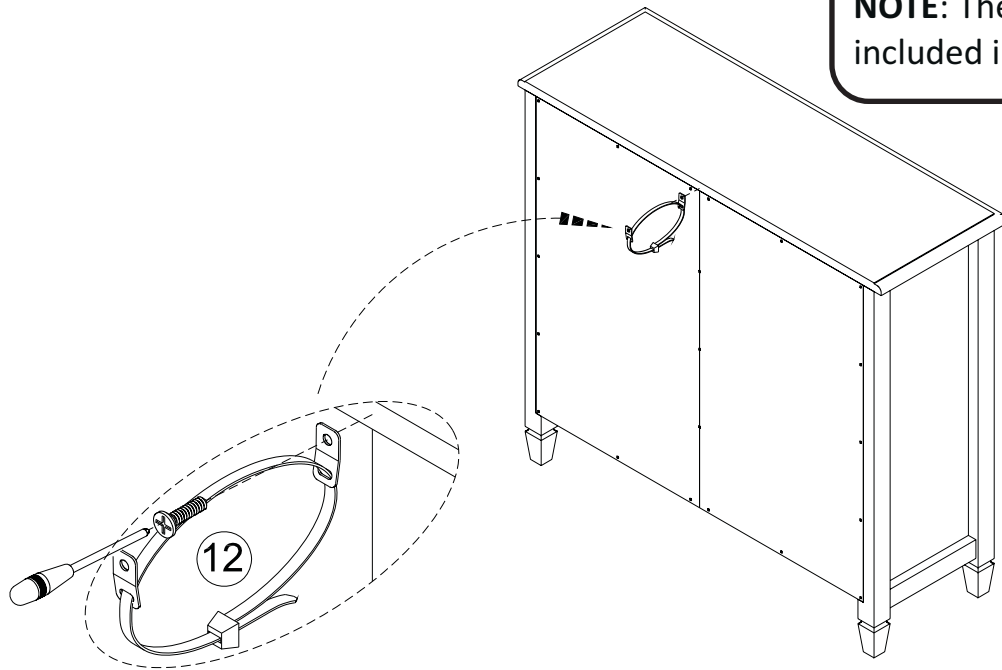


1. Use 4 Shelf Supports (6) for each Shelf Cabinet (G) in desired location.
2. 2 Shelf Supports (6) may be used on back top of each Shelf Cabinets (G) as a tipping restraint.
3. Insert assembled drawers into drawer glides on assembled cabinet.

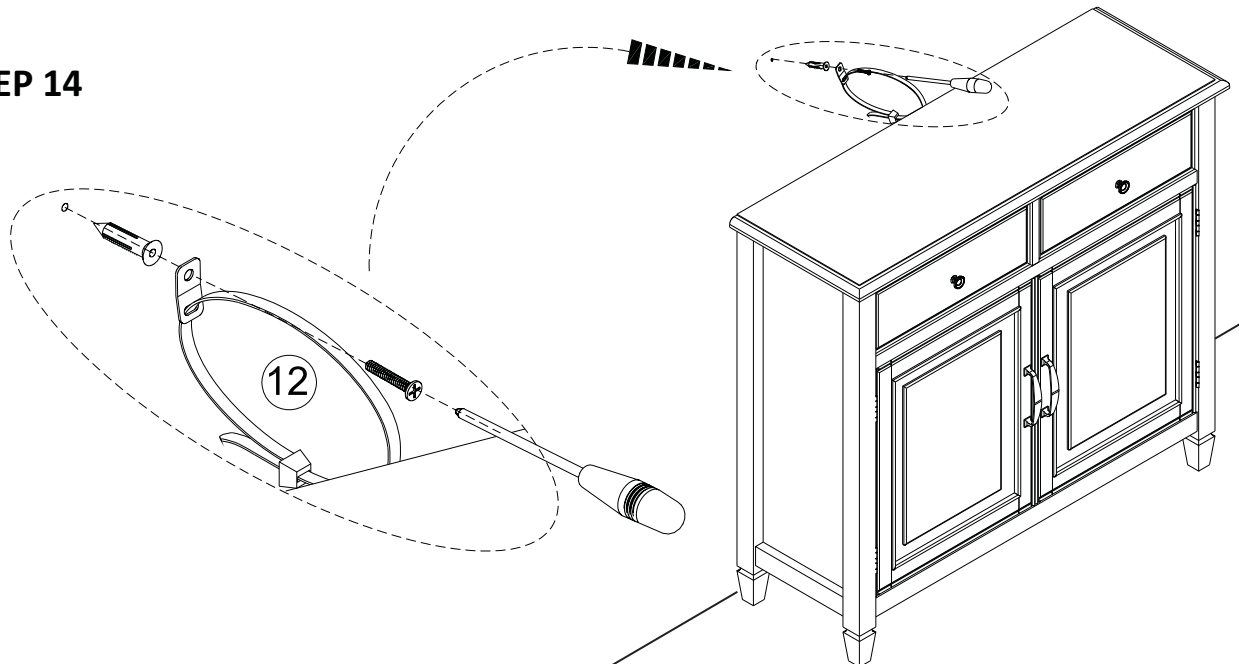
When you determine the location for your unit, install the Furniture Tipping Restraint. Carefully follow the instructions on the package.

**STEP 13**

**NOTE:** The screwdriver is not included in the hardware pack.



**STEP 14**



**STEPS 13 & 14**

1. To attach Tipping Restraint (12), follow instructions on Tipping Restraint package.



## WARRANTY

Thank you for purchasing a **Simpli Home – Wyndenhall – Brooklyn + Max** product. These products have been made to demanding, high-quality standards and are guaranteed for domestic use against manufacturing faults for a period of 12 months from the date of purchase. This warranty does not affect your statutory rights.

In case of any malfunction of your product (failure, missing parts, etc.) please contact us at our toll free service line at 1-866-518-0120 ext. 262 from 9 am to 5 pm, Monday to Friday, Eastern Standard Time or by email at [simpli-home.com/customer-support](mailto:simpli-home.com/customer-support).

We reserve the right to repair or replace the defective product, at its discretion.

This product is guaranteed for 12 months if used for normal purposes. Any warranty is invalid if the product has been overloaded or subject to neglect, improper use or an attempted repair by other than an authorized agent. Heavy-duty or daily professional/commercial usage are not guaranteed.

Due to continuous product improvement, we reserve the right to change the product specifications without prior notice.

**PLEASE NOTE:** This item is hand-crafted and hand-finished with utmost care. As such, variations and imperfections should be expected and should be welcomed as the natural beauty of the wood.





## Question, problems, missing parts?

Before returning please email Customer Support at  
[simpli-home.com/customer-support](mailto:simpli-home.com/customer-support)

or call

Customer Service at 1-866-0518-0120 ext. 262  
Monday to Friday between 9 am – 5 pm EST

For more information visit us on our website  
[www.simpli-home.com](http://www.simpli-home.com)

Like us on facebook  
[www.facebook.com/simplihomefurnishings](http://www.facebook.com/simplihomefurnishings)

**SIMPLI**<sup>™</sup>  
**H O M E**

WyndentHall<sup>™</sup>  
HOME DECOR  
brooklyn + max<sup>™</sup>

**ENTER  
TO WIN**

**Upload an image of our furniture in your home with a short review to our facebook page and have a chance to**

**Win your choice of any one of  
Simpli Home furniture pieces  
Free!!!**

[www.facebook.com/simplihomefurnishings](http://www.facebook.com/simplihomefurnishings)

(draws monthly – shipping included)

(vanities not included)

