

# GTS18FBS

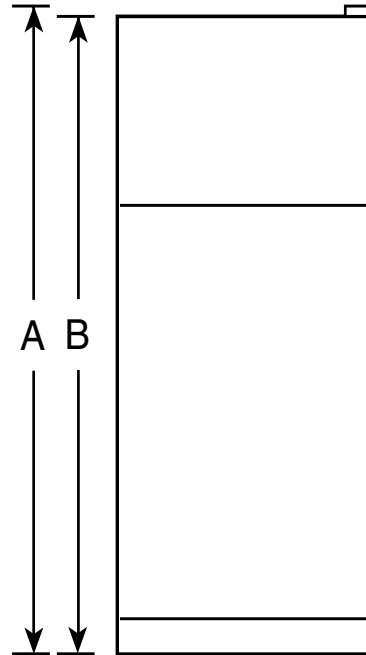
## GE® 18.2 Cu. Ft. Top-Freezer Refrigerator

### Dimensions and Installation Information

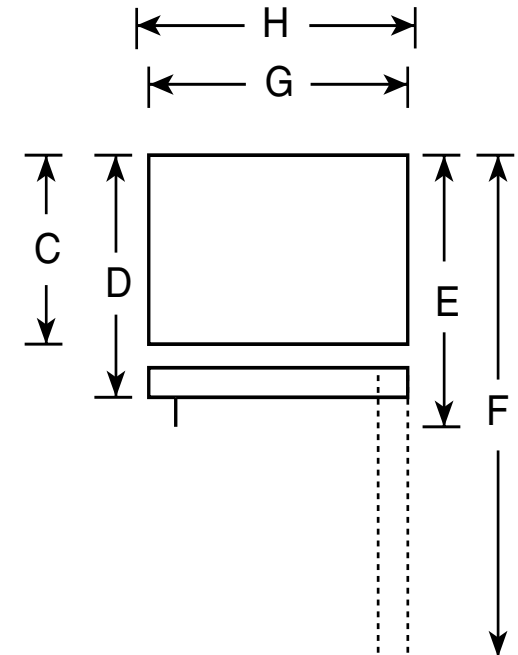
Overall Dimensions	Height to top of hinge (in.) <b>A</b>	67-3/8
	Height to top of case (in.) <b>B</b>	66-7/8*
	Case depth without door (in.) <b>C</b>	26-3/4
	Case depth less door handle (in.) <b>D</b>	30-1/2
	Case depth with door handle (in.) <b>E</b>	32-3/8
	Depth with fresh food door open 90° (in.) <b>F</b>	56-3/8
	Width (in.) <b>G</b>	28
	Width with door open 90° less door handle (in.) <b>H</b>	30-3/4
Air Clearances	Each side (in.)	3/4
	Top (in.)	1
	Back (in.)	1

\*Height to mid-freezer (in.): 57

Front View



Top View



For answers to your Monogram®, GE Profile™ or GE® appliance questions, visit our website at [ge.com](http://ge.com) or call GE Answer Center® service, 800.626.2000.

Dimension and installation information are shown in inches.



imagination at work



Listed by  
Underwriters  
Laboratories



Specification Created 1/05

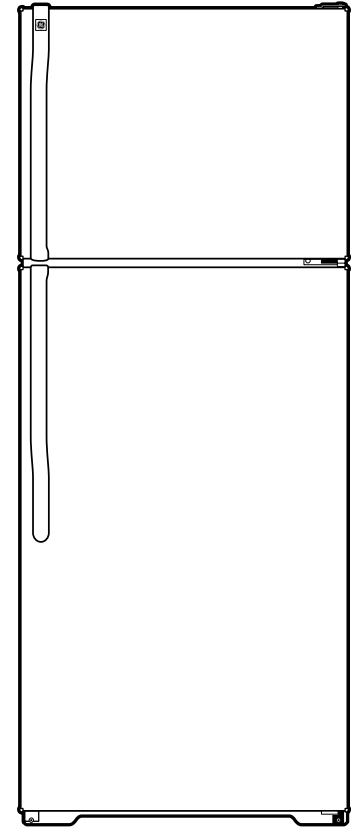
310396

# GTS18FBS

## GE® 18.2 Cu. Ft. Top-Freezer Refrigerator

### Features and Benefits

- Upfront Temperature Controls - Are positioned up front, close at hand, for maximum convenience and ease of use
- Adjustable Shelves - Lets consumers maximize usable storage space
- Vegetable/Fruit Crisper - For easy storage of fruits and vegetables
- Gallon Door Storage - Makes room for milk and any other gallon size containers
- Can Storage Shelf - Soda can storage shelf conveniently dispenses soft drink cans
- Square Doors - Classic design that's compatible with any kitchen décor
- NeverClean™ Condenser - Condenser coils are encased, so they don't require cleaning in normal operating environments
- Deluxe Quiet Design - Significantly reduces operating noise
- Model GTS18FBSWW - White on white
- Model GTS18FBSCC - Bisque on bisque



imagination at work