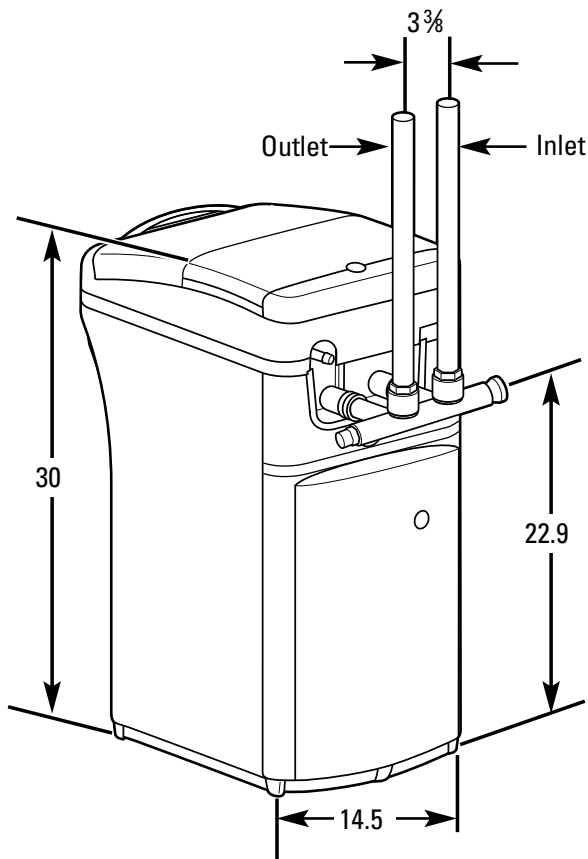




**GE Appliances**

## GXSF18G – GE SmartWater™ Water Softening System



**Salt Capacity** – 138 lbs.

**Important:** All units must be installed according to local codes.

**Note:** Before installing, consult installation instructions packed with product for current dimensional data.

**Specification Created 2/06  
380220**

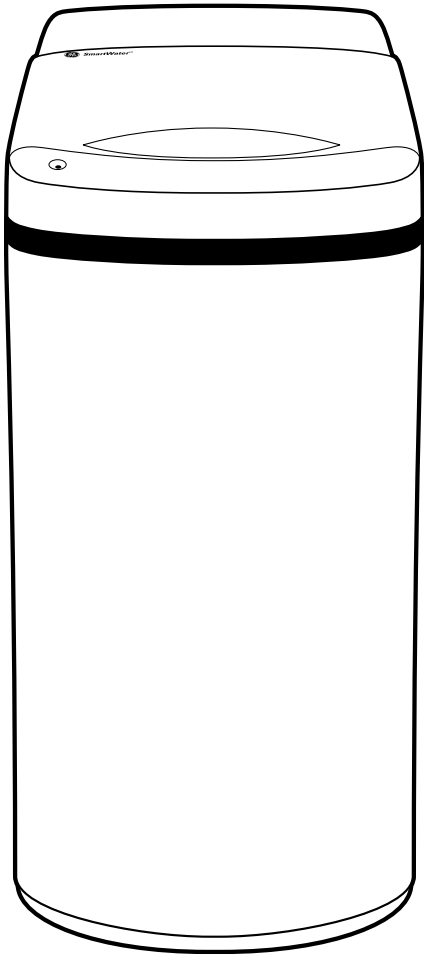
For answers to your Monogram®, GE Profile™ or GE appliance questions, visit our website at [GEAppliances.com](http://GEAppliances.com) or call GE Answer Center® service, 800.626.2000.



**GE Appliances**

---

## **GXSF18G – GE SmartWater™ Water Softening System**



### **Features and Benefits**

- 18,800 capacity (Grains)
- SmartSoft™ Technology
- Low profile for easy salt loading
- Independent sliding lids for salt bin and controls
- Advanced electronic controls
- Audible alarm
- “Days to empty” indicator
- Status light indicator
- Salt level monitor
- By-pass valve for added flexibility
- All parts included for easy installation