

Please read and save these instructions. Read carefully before attempting to assemble, install, operate or maintain the product described. Protect yourself and others by observing all safety information. Failure to comply with instructions could result in personal injury and/or property damage! Retain instructions for future reference.

Electric Pressure Washer

Specifications:

MODEL	MAX PSI	MAX GPM	MAX TEMP	VOLTAGE	AMPS	UNIT WEIGHT
AR388	1800	1.50	122°F	120V	15	23 lbs



SAFETY GUIDELINES:

This manual contains information that is very important to know and understand. This information is provided for SAFETY and to PREVENT EQUIPMENT PROBLEMS. To help recognize this information, observe the following symbols.

⚠ WARNING

Warning indicates a potentially hazardous situation which, if not avoided, COULD result in death or serious injury.

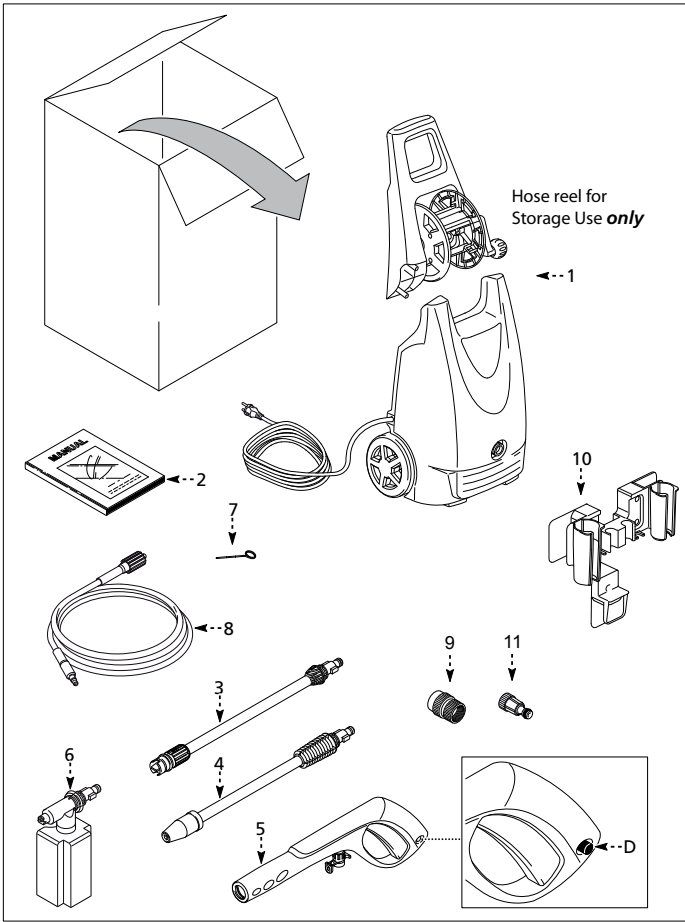
⚠ CAUTION

Caution indicates a potentially hazardous situation which, if not avoided, MAY result in minor or moderate injury.

NOTE or NOTICE: Information that requires special attention.

IMPORTANT

This pressure washer is equipped with a microswitch sensitive to water flow. This Total Stop System (TSS) senses water flow in the pump. When the trigger is released, water stops flowing through the pump. The TSS then automatically turns the motor off to protect the pump from overheating.



PACKAGE CONTENT:

1. Pressure Water Unit
2. Manual
3. Adjustable Spray Nozzle
4. Turbo Nozzle
5. Gun
6. Detergent Tank
7. Nozzle Cleaning Tool
8. High Pressure Hose
9. Garden Hose Fitting
10. Accessories Holder
11. Quick Connect Filter

Gun Safety Button (D)

OPERATION

1. Pull trigger on gun.
2. Turn the "ON/OFF" switch to "ON".
3. Release trigger. The pressure washer motor will stop running.
4. To spray again, pull trigger and motor and pump will restart.

Note: Occasionally the motor may run for a short time to bring fresh, cool water into the pump even if the trigger is released. This is part of normal operation and will not damage the unit.

▲ CAUTION

Always turn the "ON/OFF" switch to "OFF" then trigger gun to release hose pressure before unplugging the power cord.

▲ CAUTION

Risk of equipment damage. Always make sure the "ON/OFF" switch on the unit is "OFF" and unit is unplugged prior to storage.

▲ WARNING

Risk of Injection. Unit will start spraying when trigger is squeezed if "ON/OFF" switch is in "ON" position. Always point gun in a safe direction.

IMPORTANT SAFETY INSTRUCTIONS

Save These Instructions

▲ WARNING

When using this product, basic precautions should always be followed, including the following:

1. Read all instructions before

using the product.

2. Always disconnect power before disassembling or repairing the unit.
3. Follow all safety codes as well as the Occupational Safety and Health Act (OSHA).
4. Ensure safety devices are operating properly before each use. DO NOT remove or modify any part of the gun or unit.
5. Know how to stop this product and bleed pressure quickly. Be thoroughly familiar with the controls.
6. Stay alert - watch what you are doing.
7. Do not operate the product when fatigued or under the influence of alcohol or drugs.
8. Keep operation area clear of all persons.
9. Do not overreach or stand on unstable support. Keep good footing and balance at all times.
10. Follow the maintenance instructions specified in the manual.
11. This product is provided with a ground fault circuit interrupter, GFCI, be sure to inspect cord and GFCI prior to use. Any repair or replacement of the power cord must be performed by a qualified (licensed or certified) electrical technician.
12. Never use an extension cord with this product.
13. The power cord on this product contains chemicals, including lead, known to the State of California to cause [cancer and] birth defects or other reproductive harm. Wash hands after handling.

IMPORTANT SAFETY INSTRUCTIONS (CONT)

14. To reduce the risk of injury, close supervision is necessary when a product is used near children.

▲WARNING***Risk of
Electrocution***

- Inspect cord before using - Do not use if cord is damaged.
- Keep all electrical connections dry and off the ground.
- Do not touch plug with wet hands.
- This product is provided with a ground fault circuit interrupter built into the power cord plug. If replacement of the plug or cord is needed, use only identical replacement parts.
- Do not spray electrical apparatus and wiring.

▲WARNING***Risk of Injection
or Severe Injury***

- High pressure. Keep clear of nozzle. Do not discharge streams at persons or animals.
- Never put hand or fingers over spray tip while operating the unit.
- Never try to stop or deflect leaks with any body part.
- Always engage the trigger safety latch in the safe position when spraying is stopped even if only for a few moments.
- Point gun in safe direction. Unit will start spraying when trigger is squeezed if 'on/off' switch is in "ON" position.
- Discharge pressure - When 'on/off' switch is in "OFF" position,

pressure may still exist in unit. To discharge pressure, point gun in safe direction and squeeze trigger.

▲WARNING***Risk of Explosion***

- Do not spray flammable liquids.
- Never use in areas containing combustible dust, liquids, or vapors.

▲CAUTION

- High pressure - Gun kicks back - Hold gun with both hands.
- Keep hose away from sharp objects. Bursting hoses may cause injury. Examine hose regularly and replace if damaged. Do not attempt to mend a damaged hose.

NOTE

- Use only detergents specifically formulated for pressure washers. Always follow detergent manufacturer's label recommendations for proper use of detergents. Always protect eyes, skin, and respiratory system from detergent.
- For either indoor or outdoor use. Store indoors and where temperature stays above freezing.
- Unplug unit when not in use.
- Pressure washer is not meant to pump hot water. Do not connect to hot water supply.
- Never leave the unit unattended while it is plugged in.
- Always turn water supply "ON" before turning pressure washer

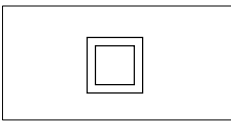
"ON". Running pump dry causes damage.

SERVICING OF A DOUBLE-INSULATED APPLIANCE

In a double-insulated product, two systems of insulation are provided instead of grounding. No grounding means are provided for a double-insulated product, nor should grounding means be added to the product.

Servicing a double-insulated product requires extreme care and knowledge of the system, and should be done only by qualified service personnel.

Replacement parts for a double-insulated product must be identical to the original parts. A double-insulated product is marked with the words "Double Insulation" or "Double Insulated". Product may also be marked with symbol shown below.



⚠ WARNING *Do not use pressure that exceeds the operating pressure of any of the parts (hoses, fittings, etc.) in the pressurized system. Ensure all equipment and accessories are rated to withstand the maximum working pressure of the unit.*

⚠ WARNING *Do not spray electrical apparatus and wiring.*

- Never disconnect the high pressure discharge hose from the machine while the system is pressurized. To depressurize machine, turn power and water supply off, then press gun trigger 2 - 3 times.
- Never permanently engage the trigger mechanism on the gun.
- Never operate the machine without all components properly connected to the machine (handle, gun/wand assembly, nozzle, etc.).

⚠ WARNING *Equipment damage.*

- ALWAYS turn water supply "ON" before turning pressure washer "ON". Running pump dry causes serious damage.
- Do not operate the pressure washer with the inlet water screen removed. Keep screen clear of debris and sediment.
- NEVER operate pressure washer with broken or missing parts. Check equipment regularly and repair or replace worn or damaged parts immediately.
- Use only the nozzle supplied with this machine.
- Never leave the wand unattended while the machine is running.
- Never attempt to alter factory settings. Altering factory settings could damage the unit and will void the warranty.
- Always hold gun and wand firmly when starting and operating the machine.

SERVICING OF A DOUBLE-INSULATED APPLIANCE (CONT)

- NEVER allow the unit to run with the trigger release (off) for more than one (1) minute. Resulting heat buildup will damage pump.
- Pressure washer is not meant to pump hot water. NEVER connect it to a hot water supply as it will significantly reduce the life of the pump.
- NEVER store the pressure washer outdoors or where it could freeze. The pump will be seriously damaged.
- Release trigger when changing from high to low pressure modes. Failure to do so could result in damage.

CAUTION

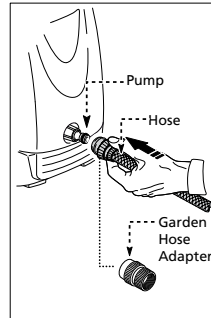
Keep hose away from sharp

objects. Bursting hoses may cause injury. Examine hoses regularly and replace if damaged. Do not attempt to mend a damaged hose.

GARDEN HOSE CONNECTION INSTRUCTIONS

1. Attach swivel adapter to pump water inlet, if not already attached. Notice the swivel adapter is marked with the words pump and hose. Make sure to connect pump side of the adapter to the pump water inlet to prevent damage to the threads.

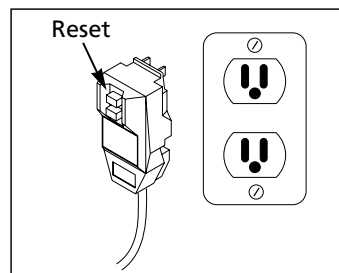
2. Attach garden hose to swivel adapter side marked hose.



3. The spray gun should be locked into the "OFF" position by locating the safety trigger lock just above the trigger of the gun. Activate the lock by holding the gun and push the lock from left to right. Squeeze trigger to make sure the trigger does not move. The safety trigger lock should be locked at all times when pressure washer is not in use.

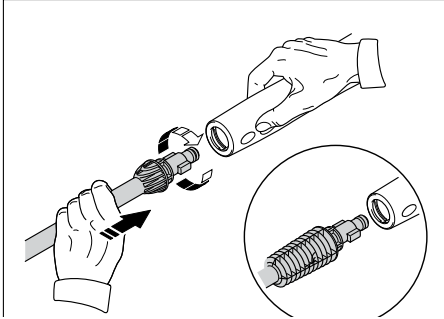
POWER CORD

1. Plug the power cord into a grounded 120V outlet and press the reset button as shown below.
2. **THIS MUST BE DONE EACH TIME THE UNIT IS PLUGGED IN AN OUTLET.**

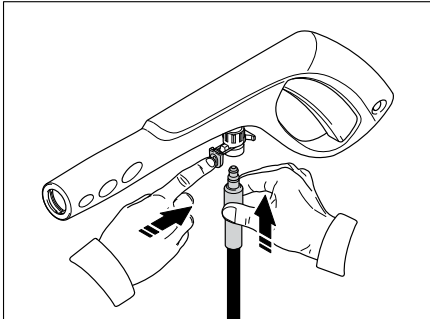


SYSTEM CONNECTION

1. Insert lance adapter into the gun push and turn clockwise to positive stop as shown below.

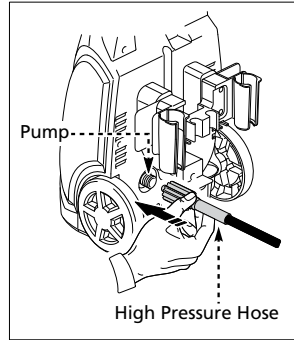


2. Press release button on bottom of gun toward back of the gun, then insert high pressure hose.



3. Be sure that the power switch is in the "OFF" position.

4. Attach the high pressure hose onto the pump water outlet by turning clockwise and hand tightening.



5. Connect garden hose as explained under Garden Hose Connection Instructions.
6. Plug the power cord into a grounded 120V outlet.
7. Turn water on.
8. Unlock trigger lock by moving lock right to left.
9. Depress and hold the trigger on the gun for one minute to release pressure and remove any air trapped in the system.
10. Turn the "ON/OFF" switch to the "ON" position.

HOW TO AVOID DAMAGING SURFACES

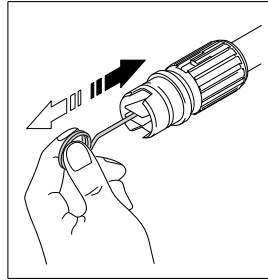
DIRECTIONS FOR USE

Damage to cleaning surfaces occurs because the impact force of the water exceeds the durability of the surface. You can vary the impact force by controlling the nozzle's fan pattern, the nozzle's angle to the cleaning surface, and the nozzle's distance from the cleaning

HOW TO AVOID DAMAGING SURFACES (CONT)

surface. Never use a narrow high impact stream or a turbo nozzle on a surface that is susceptible to damage. Avoid spraying windows with a narrow high impact stream or turbo nozzle. Doing so may break the window. The surest way to avoid damaging surfaces is to follow these steps.

- Using the included tip cleaner, or an un-folded paper clip, insert wire into the nozzle hole and move back and forth until debris is dislodged.



NOZZLE CLEANING INSTRUCTIONS

- Before triggering the gun, adjust the nozzle to a wide fan pattern.
- Place the nozzle approximately 4 - 5 feet away from the cleaning surface. Then hold the nozzle at a 45° angle to the cleaning surface. Trigger the gun.
- Vary the fan pattern spray angle and the distance to the cleaning surface until optimum cleaning efficiency is achieved without damaging the surface.

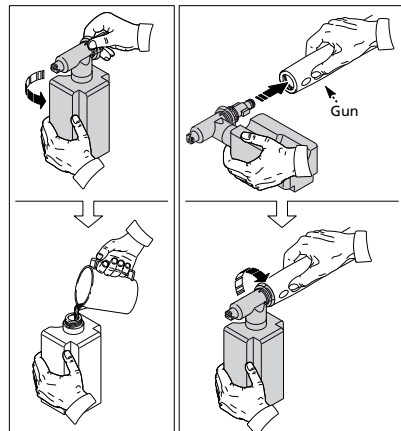
A clogged or partially clogged nozzle can cause a significant reduction of water coming out of the nozzle and cause the unit to pulsate while spraying.

To clean out the nozzle:

- Turn off the unit.
- Turn off the water supply. Relieve any pressure trapped in the hose by squeezing the trigger 2 - 3 times.
- Separate lance from gun.
- Rotate nozzle to the narrow stream setting. This opens up the fan blades.

- Remove additional debris by back-flushing water through the nozzle. To do this, remove the lance from the gun, place end of a garden hose (with water running) to tip of nozzle pushing water and debris out the back opening of the lance.

DETERGENTS



The use of detergents can dramatically reduce cleaning time and assist in the removal of difficult stains. Some detergents have been customized for pressure washer use

on specific cleaning tasks. These detergents are approximately as thick as water. The use of thicker detergents, such as dish soap, will clog the chemical injection system and prevent the application of the detergent.

The cleaning power of detergents comes from applying them to a surface and giving the chemicals time to break down the dirt and grime. Detergents work best when applied at low pressure.

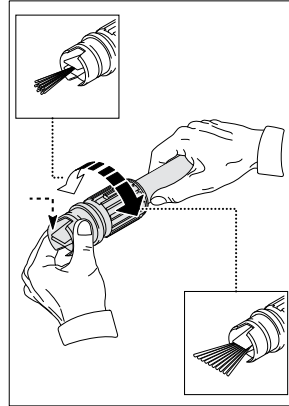
The combination of chemical action and high pressure rinsing is very effective. On vertical surfaces, apply the detergent starting at the bottom and working your way upward. This will prevent the detergent from sliding down and causing streaks.

High pressure rinsing should also progress from the bottom to top. On particularly tough stains, it may be necessary to use a brush in combination with detergents and high pressure rinsing.

OPERATION

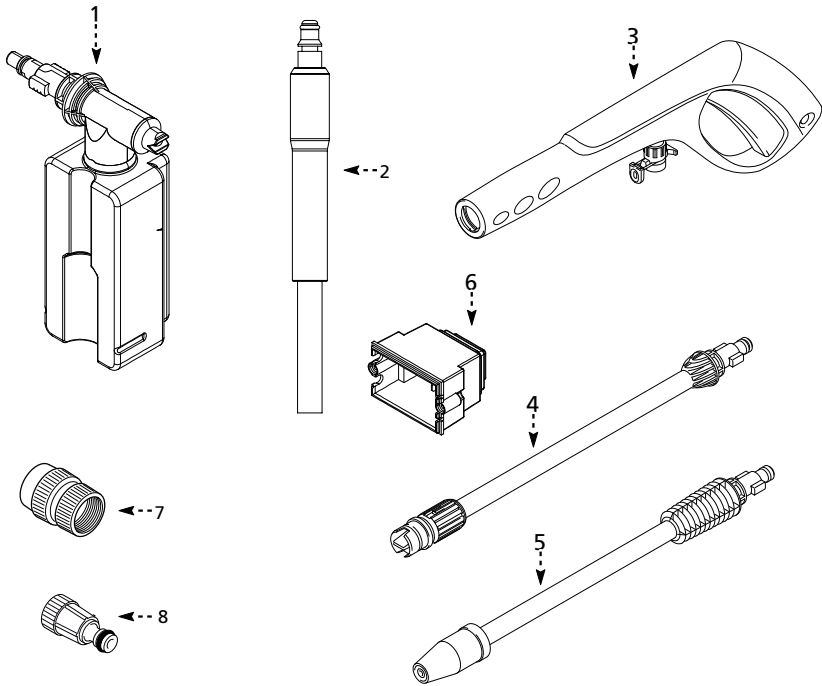
1. The lance is affected by pressure during operation; therefore hold it firmly with both hands and point the nozzle toward the ground.
2. Activate by pulling the trigger of the gun/spray handle.
3. Adjust the distance to the cleaning surface, which will also adjust your pressure of the nozzle.

4. Spray pattern shape and intensity can be changed by twisting the spray adjuster at the end of the lance. Keep hands clear of the front of the lance to prevent injury.



END OF OPERATION

1. Press the ON/OFF switch to "OFF" on the pressure washer.
2. Disconnect the plug from the power source.
3. Shut off the water supply.
4. Activate the spray handle to relieve the machine of pressure.
5. Lock the trigger into the "OFF" position.



Pos.	Description	Part Number	Qty.
1	Detergent Tank	AR3080160	1
2	Hose (QC)	AR50969	1
3	Gun	AR50968	1
4	Adjustable Lance/Nozzle	AR50975	1
5	Turbo Lance/Nozzle	AR50976	1
6	Switch Assembly	AR3080170	1
7	Garden Hose Fitting (with filter)	AR3082130	1
8	Quick Connect Filter	AR3082301	1

Pump Spare Part Kits

Water Seals & Valves	AR3081290
Pre-Assembly TSS	AR3082350

NOTES

Lined area for notes, consisting of a solid black header bar and numerous horizontal lines below it.

PRESSURE WASHER LIMITED WARRANTY

This product is under warranty to the original retail consumer against defects in material and workmanship for a period of 1 (one) year and is a complete "bumper to bumper" warranty including the spray gun, the high-pressure hose and all accessories from the date of purchase. The warranty is not transferable or assignable. This warranty covers replacement parts. This limited one year warranty applies only to products used in consumer applications and is void in rental or any commercial application. Reasonable care must be used in conformity with operation and maintenance instructions in the owner's manual and quick start guide. Failure to follow these instructions will void this warranty.

WARRANTY RETURNS

Items returned for warranty consideration must have a Returned Merchandise Authorization (RMA) number and proof of purchase. All unauthorized returns will be refused and shipped back to sender. Freight costs, if any, must be paid by the purchaser. Call 1-866-235-5112 Monday through Friday 8:00 a.m. - 5:00 p.m. (Central Standard Time). Or E-Mail to: info@arnorthamerica.com 24 hours a day.

A.R. North America, Inc.

Attn: Pressure Washer Warranty Department
140 - 81st Avenue NE, Fridley, MN 55432

Veillez lire et garder ces instructions. Lire attentivement avant d'essayer à assembler, installer, opérer ou maintenir le produit décrit. Protéger vous-même et les autres en observant toute information de sécurité. La chute d'obéir les instructions pourrait provoquer la blessure individuelle et/ou l'endommagement de la propriété ! Retenir les instructions pour la référence à l'avenir.

Nettoyeur électrique de pression

Spécifications:

MODELE	MAX PSI	MAX GPM	MAX TEMP	TENSION	AMPS	UNITÉ POIDS
AR388	1800	1.50	122°F	120V	15	23 lbs



GUIDE DE SECURITE:

Ce manuel contient l'information qui est très importante pour connaître et comprendre. Cette information est fournie pour la SÉCURITÉ et de PRÉVENIR LES PROBLÈMES D'ÉQUIPEMENT. Pour aider à reconnaître cette information, observer les symboles suivants.

▲ AVERTISSEMENT

Avertissement indique une situation potentiellement dangereuse, si ce n'est pas évité, il POURRAIT provoquer la mort ou la blessure grave.

▲ PRUDENCE

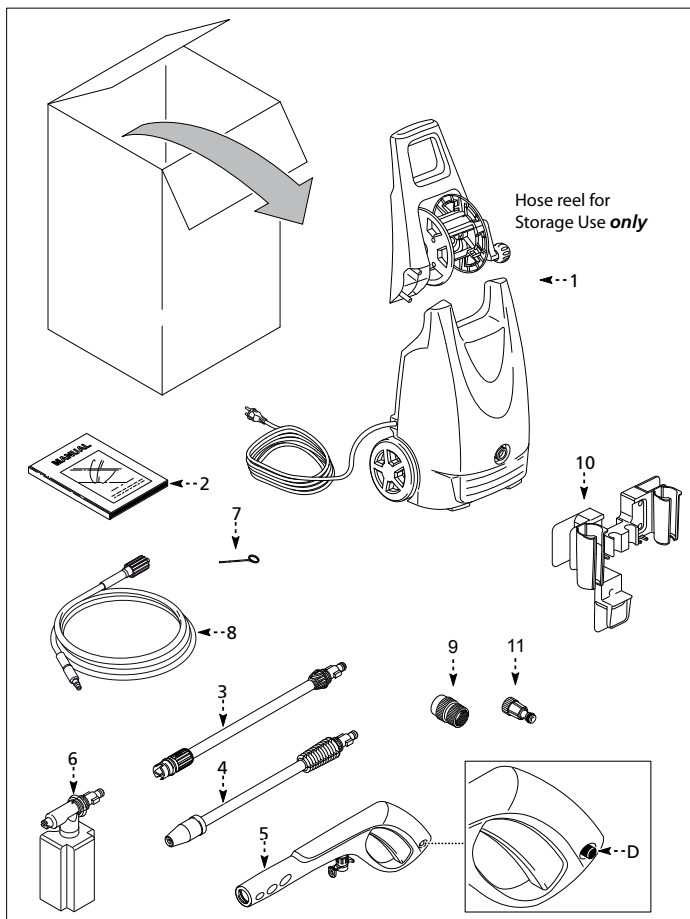
Prudence indique une situation potentiellement dangereuse qui

PEUT provoquer la blessure mineure ou modérée si ce n'est pas évité.

NOTE ou AVIS: Information qui demande l'attention spécial.

IMPORTANT

Ce nettoyeur de pression est équipé d'un micro-interrupteur sensible au cours d'eau dans la pompe. Ce système d'arrêt total (TSS) sent le cours d'eau dans la pompe. Quand le déclencheur est libéré, l'eau arrête l'écoulement à travers de la pompe. Le TSS éteint alors automatiquement le moteur afin de protéger la pompe du sur chauffage



CONTENU D'EMBALLAGE:

1. Unité d'eau de pression
2. Manuel
3. Et réglable
4. Turbo-jet
5. Pistolet
6. Bâche de détersif
7. Outil de nettoyeur du jet
8. Tuyau souple de haute pression
9. Pièce de fixation du jardin
10. Accessoires titulaire
11. Rapide Connector Filtre

Bouton de sécurité de l'injecteur (5A)

INSTRUCTIONS DE SÉCURITÉ IMPORTANTES

1. Installer avec les vis fournis. Les outils a besoin d'un tournevis philips.
2. Adapter du tuyau de jardin. Pompe et tuyau souple marqué pour l'assemblage facile. Le nettoyeur/filtre doit être réinstallé comme il peut séparer pendant l'embarquement. Placer le nettoyeur/filtre dans le côté du tuyau comme illustré.

Garder Ces Instructions

Lors de l'usage de ce produit, les précautions doivent être toujours suivies, y compris ci-dessus:

1. Lire toutes les instructions avant d'utiliser ce produit.
2. Déconnecter toujours la puissance avant de démonter ou réparer l'unité.
3. Suivre tous les codes de sécurité ainsi que l'acte de la Sécurité et de la Santé Professionnelle (OSHA)
4. Assurer que tous les appareils de sécurité sont proprement opérés avant chaque usage. NE PAS déplacer ou modifier toute pièce de l'injecteur ou de l'unité.
5. Connaître comment arrêter ce produit et vidanger la pression

▲ AVERTISSEMENT

- rapidement. Soyez familiariser complètement les contrôles.
6. Garder vigilant – voir ce que tu est en train de faire.
 7. Ne pas opérer le produit quand on est fatigué ou sous l'effet de l'alcool ou des médicaments.
 8. Garder toute personne hors de la zone d'opération.
 9. Ne pas franchir ou debout sur le support instable. Garder un bon pied et une balance a tout moment.
 10. Suivre les instructions de maintien spécifiées au manuel.
 11. Ce produit est fourni avec un interrupteur de défaut de terre, GFCI, assurer d'inspecter la câble et GFCI avant l'usage. Toute réparation ou remplacement de la câble de puissance doit être opéré par un technicien électrique qualifié.
 12. Ne jamais utiliser la câble d'extension avec ce produit.
 13. Afin de réduire le risque de la blessure, il est nécessaire quand un produit est utilisé près des enfants.

Risque de l'électrocution

- Inspecter la corde avant l'usage – Ne pas utiliser si la corde est endommagé.
- Garder toutes les connexions électriques sèches et hors de la terre.
- Ne pas toucher la prise avec les mains mouillées.
- Ce produit est équipé d'un interrupteur du circuit de défaut de terre intégrant à la prise du câble de puissance. Si le remplacement de la prise et du câble est nécessaire, utiliser les pièces de rechange identiques seules.
- Ne pas pulvériser l'instrument et le câblage électrique.

▲ AVERTISSEMENT

INSTRUCTIONS DE SÉCURITÉ IMPORTANTES (SUITE)

essayer à réparer un tuyau souple endommagé.

▲ PRUDENCE

Risque de l'injection ou la blessure sévère

- Ne pas contacter le jet. Ne pas décharger le cours d'eau aux personnes et animaux.
- Ne pas poser la main ou les doigts sur l'embout du jet lors de l'opération de l'unité.
- N'essayer jamais à arrêter ou dévier les fuites avec toute partie du corps.

▲ AVERTISSEMENT

- Engager toujours le taquet de sécurité du déclencheur en position de sécurité quand la pulvérisation est arrêté bien qu'il soit un peu de temps.
- Pointer l'injecteur a un sens de sécurité. L'unité va démarrer la pulvérisation lors que le déclencheur est déclenché si l'interrupteur 'on/off' est en position "ON".
- Décharger la pression – Quand l'interrupteur 'on/off' est en position "OFF", la pression peut exister toujours dans l'unité.
- Pour décharger la pression, pointer l'injecteur à un sens de sécurité et déclenche le déclencheur.

Risque de l'explosion

- Ne pas pulvériser les liquides inflammables.
- N'utiliser jamais dans les zones contenant les ordures, les liquides ou les vapeurs combustibles.
- Haute pression – tomber à l'inverse l'injecteur – Saisir l'injecteur avec les deux mains
- Garder le tuyau souple

▲ AVERTISSEMENT

loins des objets aigus. L'explosion des tuyaux souples peut provoquer la blessure. Contrôler le tuyau souple régulièrement et le remplacer en cas d'endommagement. Ne pas

NOTE

- Utiliser seulement les détersifs expressément préparés pour les nettoyeurs de pression. Suivre toujours les recommandations de l'étiquette du fabricant du détersif pour l'usage propre des détersifs. Protéger toujours les yeux, la peau et le système respiratoire du détersif.
- Pour l'usage à l'intérieur ou a l'extérieur. Stocker à l'intérieur et ou la température est supérieur au point de congélation.
- Débrancher l'unité quand il n'est pas en usage.
- Le nettoyeur de pression ne signifie pas de pomper l'eau chaude. Ne pas connecter à la source d'eau chaude.
- Ne laisser jamais l'unité sans surveillance l'orgueil est branché.
- Tourner toujours la source d'eau à "ON" avant de démarrer le nettoyeur de pression. Le fonctionnement de la pompe à sec provoque l'endommagement.

Dans un produit à double isolations, deux systèmes d'isolation sont fournis au lieu de la mise à la terre. Il n'y a pas de moyens de la mise à la terre qui sont fournis pour un produit à double isolations, non plus les moyens de la mise à la terre devraient ajoutés au produit.

Le maintien d'un produit à doubles isolations demande des soins extrêmes et des connaissances du

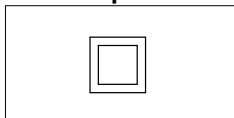
MAINTIEN D'UN APPAREIL À DOUBLE ISOLATIONS

système et ne devrait être fait que par les personnel de service qualifié.

Les pièces de rechange pour un produit à double isolations doivent être identiques aux pièces originales. Un produit à double isolation est marqué des mots " Double isolations" ou " Isolé double". Le produit peut être aussi marqué du symbole démontré ci-dessous.

Ne pas utiliser la pression qui dépasse la pression d'opération de toute pièce (tuyau souple, pièce de fixation, etc.) dans le système compression né. Assurer que tous les équipements et accessoires sont nominal à subir la pression maximale d'opération de l'unité.

Ne pas pulvériser l'instrument et le câblage électrique.



▲ AVERTISSEMENT

- Ne pas déconnecter le tuyau souple de décharge de haute pression de la machine lorsque le système est compression né. Pour décompresser la machine, fermer la puissance et la source d'eau, presser alors le déclencheur de l'injecteur pour 2 ou 3 fois.
- N'engager jamais le mécanisme de l'enclencheur permanente sur l'injecteur.
- N'opérer jamais la machine sans tous les composants connectés correctement à la machine (poignée, ensemble injecteur/lance, jet, etc.)

fonctionnement de la pompe a à sec provoque le grave endommagement.

- Ne pas opérer le nettoyeur de pression avec le grillage d'eau d'entrée enlevé. Garder

le grillage hors des débris et du

sédiment.

- N'opérer JAMAIS le nettoyeur de pression avec des pièces cassées ou perdues. Vérifier l'équipement régulièrement et réparer ou remplacer les pièces usées ou endommagées immédiatement
- Utiliser seul le jet fourni avec cette machine.
- Ne laisser JAMAIS la lance sans surveillance lorsque la machine est fonctionnant.
- N'essayer JAMAIS à modifier les installations d'usine. La modification des installations d'usine peut endommager l'unité et va invalider la garantie.
- Saisir toujours l'injecteur et la lance solidement en démarrant et opérant la machine.
- Ne permettre JAMAIS de fonctionner avec le déclencheur libéré (fermé) pour plus d'une (1) minute. La provocation de la génération thermique va endommager la pompe.
- Le nettoyeur de pression ne signifie pas de pomper l'eau chaude. Ne le connecter JAMAIS à la source d'eau chaude comme il va réduire significativement la durée de vie de la pompe.
- Ne stocker JAMAIS le nettoyeur de pression à l'extérieur ou il peut congeler. La pompe sera sérieusement endommagée.

Endommagement de l'équipement

- Démarrer TOUJOURS la source d'eau à "ON" avant de démarrer le nettoyeur de pression. Le

MAINTIEN D'UN APPAREIL À DOUBLE ISOLATIONS (CONT)

- Libérer le déclencheur lors du changement du mode de haute pression à la basse pression. La chute de faire comme ça provoque l'endommagement.

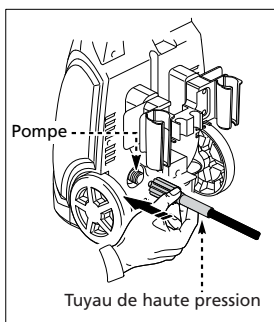
Garder le tuyau souple loin des objets aï gus. L'explosion des tuyaux souples peut provoquer la blessure. Contrôler le tuyau souple régulièrement et le remplacer en cas d'endommagement. Ne pas essayer à réparer un tuyau souple endommagé.

1. Enlever la coiffe d'embarquement de l'arrière du nettoyeur de pression.

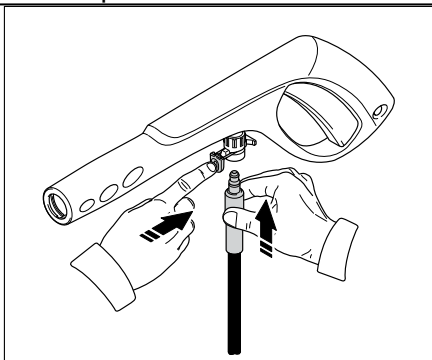
▲ PRUDENCE

2. Installer l'extrémité fileté du tuyau de haute pression en poussant dans l'arrière du nettoyeur de pression et tourner au sens des deux aiguilles d'une montre jusqu'au serrage.
3. Installer l'extrémité non fileté du tuyau de haute pression au

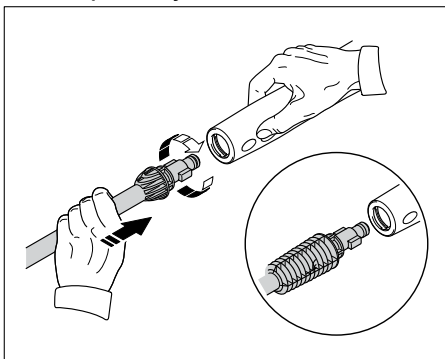
INSTRUCTIONS D'OPÉRATION



4. Presser le bouton de lâchage au fond du pistolet vers l'arrière du pistolet, insérer alors le tuyau de haute pression.
5. Insérer la lance dans le pistolet en poussant et tourner au sens des deux aiguilles d'une montre en même temps.

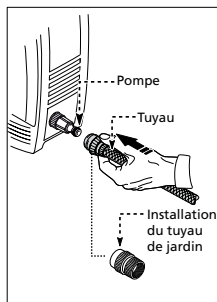


6. Pousser et tourner au sens inverse des deux aiguilles d'une montre pour l'enlever.
7. Enlever la coiffe d'embarquement de l'avant du nettoyeur de pression.
8. Attacher l'adaptateur du tuyau souple de jardin avec l'extré-



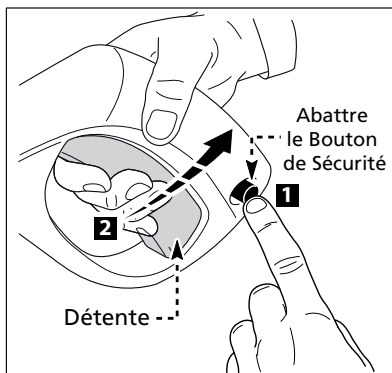
mité de la pompe au-dessus de l'avant du nettoyeur de pression.

9. Assurer que le filtre est mis en place sur le côté du tuyau souple et attacher le tuyau souple de jardin.

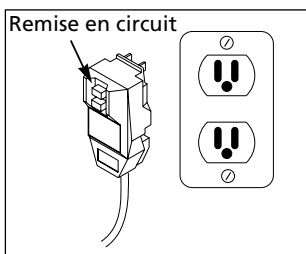


10. Activer la serrure en saisissant le pistolet et pousser la serrure de

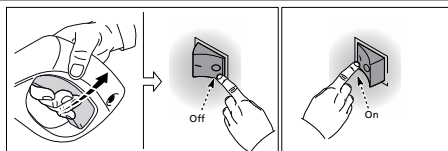
- gauche à droite.
- Serrer le déclencheur pour assurer que le déclencheur ne bouge pas.
 - La serrure de déclencheur de sécurité doit être verrouillée à tout moment quand le nettoyeur de pression n'est pas utilisé.



- Brancher la corde de puissance dans la sortie de 120V et presser le bouton de remise en circuit comme indiqué.
- CELA DOIT ÊTRE FAIT CHAQUE FOIS QUE L'UNITÉ EST BRANCHE DANS UNE SORTIE.
- Pour déverrouiller le déclencheur du pistolet pousser la serrure de droite à gauche.

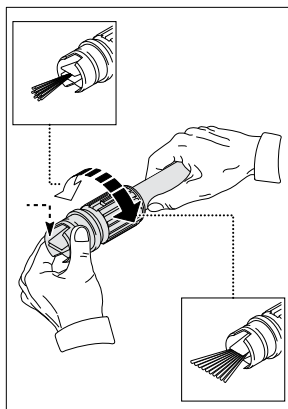


- Tirer le déclencheur et démarrer l'interrupteur de puissance situé à l'arrière du nettoyeur de pression.
- La forme et l'intensité du mode de pulvérisation peut être changé en tordant le régulateur à l'extrémité de la lance. **GARDER LES MAINS HORS D'AVANT**



DE LA LANCE POUR PRÉVENIR L'ENDOMMAGEMENT. NOTE : le turbo-jet n' est réglable.

- La boîte de détergent ne peut

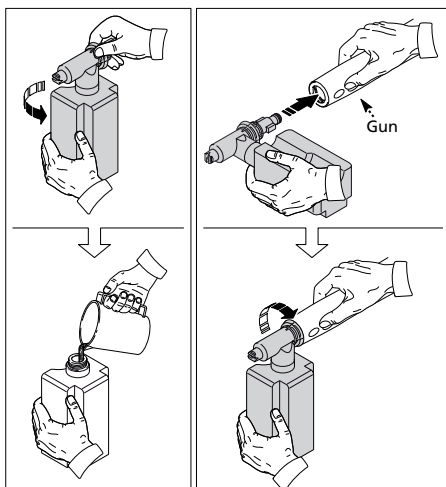


qu'être attachée directement au pistolet. Enlever la lance avant la connexion.

- Attacher la boîte de détergent comme la lance en poussant dans le pistolet et tourner au sens des deux aiguilles d'une

Note: Le moteur peut fonctionner par hasard pendant une courte durée pour amener l'eau fraîche et froide dans la pompe bien que le déclencheur soit libéré. C'est une partie de l'opération normale et ne va pas endommager l'unité.

INSTRUCTIONS D'OPÉRATION (SUITE)



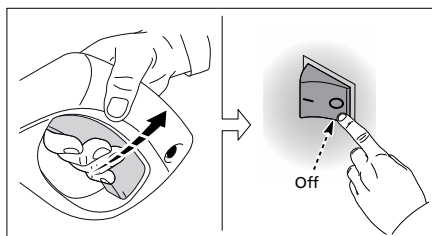
montre en même temps. Inverse pour l'enlèvement.

20. L'usage des détergers peut réduire dramatiquement le temps de nettoyage et aide à enlever les taches dures. Quelques détergers ont été commandés pour les devoirs de nettoyage spécifiques. Ces détergers ont environ la même densité que l'eau.

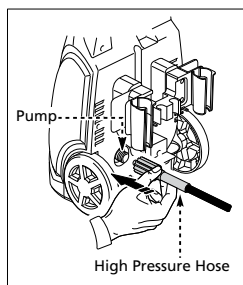
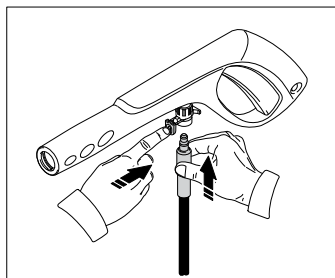
NOTE: Usage des détergers plus denses, tels que le savon du plat, va encombrer le système d'injection chimique et prévenir l'application du déterger.

21. Tirer le déclencheur et éteindre l'interrupteur de puissance à l'arrière du nettoyeur de pression.
22. Après avoir étendu la puissance, tirer le déclencheur pour dégager la pression linéaire avant d'enlever le pistolet de pulvérisation et le tuyau souple de haute pression.

STOCKAGE DE L'UNITÉ

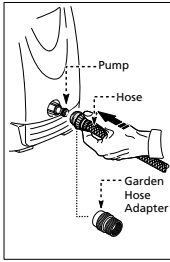


23. Enlever le tuyau de haute pression du pistolet et du nettoyeur de pression.
24. Déconnecter le tuyau de jardin.
25. Enlever l'adaptateur de tuyau souple de jardin (optionnel).
26. Pousser et tourner au sens inverse des deux aiguilles d'une montre pour l'enlever.
27. Placer la boîte de déterger dans



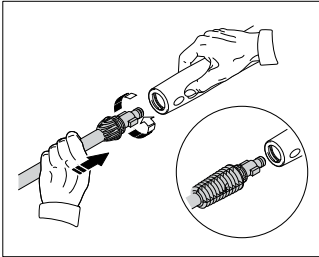
le support d'accessoires.

28. Envelopper la corde de puis sa ce autour du support d'acces-



soire dans les orifices fores aux côtés et au fond.

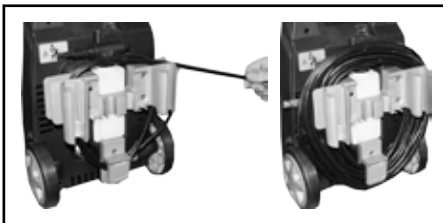
29. Placer le pistolet dans l'orifice



gauche, les lances sont placées dans les orifices centraux et l'adapte ur de tuyau souple de

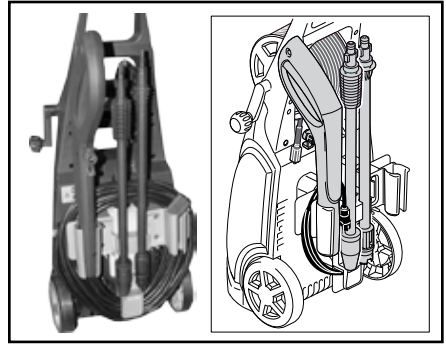


jardin est placé dans l'orifice droite sur le support.



30. Déverrouiller la dérouleuse de tuyau souple en tirant la poignée à l'extérieur.

31. Tourner la poignée et le bou-

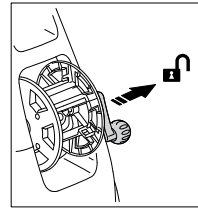


ton oriente donc à l'avant de la machine.

NOTE : la dérouleuse de tuyau souple est pour le stockage seul.

32. Placer l'entaille sur le tuyau de

INSTRUCTION DE LA DÉROULEUSE DE TUYAU SOUPLE (LA DÉROULEUSE DE TUYAU SOUPLE EST POUR LE STOCKAGE SEUL)



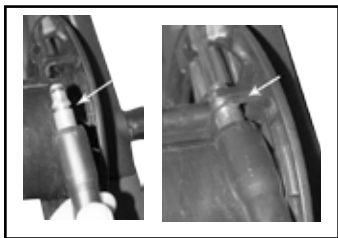
haute pression dans l'entaille plastique sur le dérouleuse de tuyau souple.



33. En utilisant la main droite, tourner la poignée éloignées de vous pour enrouler le tuyau souple.

34. En utilisant la main gauche, orienter le croisement du tuyau.

INSTRUCTION DE LA DÉROULEUSE DE TUYAU SOUPLE (SUITE) (LA DÉROULEUSE DE TUYAU SOUPLE EST POUR LE STOCKAGE SEUL)

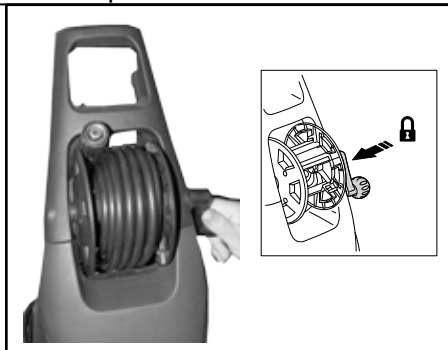


35. Quand vous atteignez les marques au côté gauche, commencer l'orientation du tuyau souple à droite.



36. Orientation continue du tuyau souple va-et-vient jusqu'à ce que le tuyau souple entier est sur la dérouleuse.
 37. Enrouler jusqu'à l'extrémité du tuyau souple, le saisir en haut de la dérouleuse.
 38. Pousser la poignée à la dérouleuse de serrure.

Un jet encombre ou partiellement encombre peut provoquer une réduction significative de l'eau en provenance du jet et provoque l'unité pulsée lors de la pulvérisa-



tion.

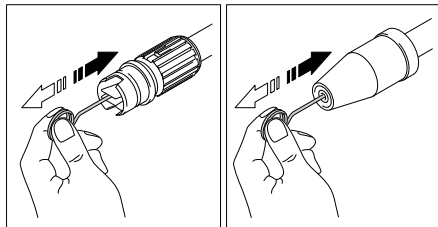
Pour nettoyer le jet:

- Éteindre l'unité.
- Éteindre la source d'eau.
- Dégager toute pression rat-

INSTRUCTIONS DE NETTOYAGE DU JET

trapé dans le tuyau en déclenchant le déclencheur pour 2 ou 3 fois.

- Séparer la lance à l'injecteur.
- Tourner le jet à l'installation du cours d'eau étroite. Cela ouvre



- les lames du ventilateur.
- Utiliser le nettoyeur contenant l'embout ou une bride de papier pas plié, insérer le câble dans le trou du jet et déplacer va-et-vient jusqu'à ce que le débris est enlevé.
- Enlever le débris additionnel avec l'eau de rinçage de retour à travers du jet. Pour faire cela, enlever la lance à l'injecteur, placer l'extrémité d'un tuyau souple du jardin (avec l'eau fonctionnant) au bord du jet

qui pousse l'eau et le débris à l'extérieur à travers de l'ouverture arrière de la lance.

Comment éviter l'endommagement des surfaces

L'endommagement des surfaces de nettoyage se passe puisque la force de choc de l'eau dépasse la durabilité de la surface. Vous pouvez varier la force de choc en contrôlant

- Le mode du ventilateur du jet

COMMENT ÉVITER L'ENDOMMAGEMENT DES SURFACES

- L'angle du jet à la surface de nettoyage
- Et la distance de la surface de nettoyage au jet.

N'utiliser JAMAIS un cours d'eau de choc étroite et haut ou un turbo-jet sur la surface qui est susceptible d'endommager.

Éviter de pulvériser les fenêtres avec un un cours d'eau de choc étroite et haut ou un turbo-jet. La fenêtre peut être cassé si on fait cela. Le moyen le plus sécu ré d'éviter l'endommagement des surfaces est de suivre ces étapes.

1. Avant de déclencher l'injecteur, régler le jet à un mode de ventilateur large.
2. Placer le jet environ 4 à 5 pieds de la surface de nettoyage. Saisir le jet à un angle de 45° à la surface de nettoyage. Déclencher l'injecteur.
3. Varier l'angle de pulvérisation du mode de ventilateur et la distance à la surface de nettoyage jusque la meilleure efficacité de nettoyage optimale est obtenue.

Sécurité

- Tourner toujours l'interrupteur "ON/OFF" à "OFF" et déclenche

l'injecteur pour libérer la pression du tuyau souple avant de débrancher la câble de puissance.

- Risquer de l'endommagement

SÉCURITÉ ET MOYENS

de l'équipement. Toujours assurer que l'interrupteur "ON/OFF" sur l'unité est "OFF" et l'unité est débranchée avant le stockage.

- Risque d'injection. L'unité va démarrer le pulvérisation lorsque le déclencheur est serré si l'interrupteur "ON/OFF" en position "ON". Pointer toujours l'injecteur à un sens de sécurité.
- Le moteur peut fonctionner par hasard pendant une courte durée pour amener l'eau fraîche et froide dans la pompe bien que le déclencheur soit libéré. C'est une partie de l'opération normale et ne va pas endommager l'unité.

Moyens

La puissance de nettoyage des détergifs vient de l'application à une surface et de la fourniture du temps au produit chimique de casser les ordures et la saleté. Les détergifs fonctionnent meilleurs à une basse pression.

La combinaison de l'action du produit chimique et du rinçage à haute pression est très efficace. Sur les surfaces verticales, appliquer le détergifs en commençant par le fond et fonctionnant vers le haut. Cela va prévenir le glissement du détergifs vers le bas et la provocation des traînées.

Le rinçage à haute pression devrait aussi développer de bas en haut. Sur les taches particulièrement dures, il peut être nécessaire d'utiliser une brosse en combinaison avec les détergifs et le rinçage à haute pression.

SÉCURITÉ ET MOYENS (SUITE)**L'unité ne va pas démarrer.**

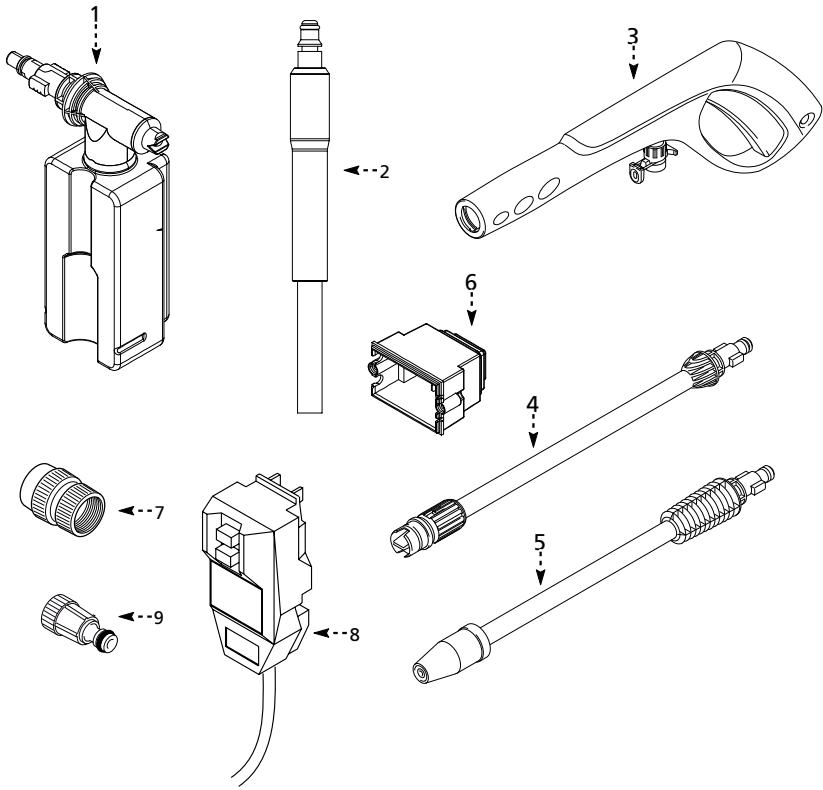
- Redémarrer la prise GFCI.
- Démarrer l'interrupteur de puissance
- Essayer une autre sortie
- Tirer le déclencheur du pistolet (voir la page 7 pour l'opération

DÉPANNAGE

TSS)

Pas de courant d'eau

- Vérifier la source d'eau
- Jet encombré – voir les instructions de nettoyage du jet (page 10)



Pos.	Description	Part Number	Qty.
1	Bâche du détersif	AR3080160	1
2	Tuyau souple(QC)	AR50969	1
3	Pistolet	AR50968	1
4	Lance réglable/Jet	AR50975	1
5	Turbo-Lance/Jet	AR50976	1
6	Ensemble d'interrupteur	AR3080170	1
7	Pièce de fixation du tuyau souple de jardin (avec filtre)	AR2605	1
8	Câble électrique w/GFCI	DX2731301100	1

Outillage des pièces détachées de la pompe

Joint d'eau et valves	AR3081290
Ensemble préfabriquéTSS	AR3082350

GARANTIE LIMITÉE DE LA NETTOYEUR DE PRESSION

Ce produit est sous la garantie pour le consommateur original de détail contre les défauts des matériaux et de la qualité pendant un (1) an sur la machine, 90 jours sur l'ensemble de l'injecteur et du tuyau souple, depuis la date de l'achat en détail et n'est pas transférable. La garantie couvre les pièces de rechange. Cette garantie limitée d'un an ne s'adapte qu'aux produits utilisés dans les applications du consommateurs et ne s'adapte pas aux applications locative ou commerciale. Prêter attention raisonnable dans l'opération et le maintien du nettoyeur de pression comme la description au manuel du propriétaire.

RETOUR DE GARANTIE

Les articles retournés pour la considération de la garantie doit avoir un numéro d'Autorisation de la Marchandise Retournée (RMA). Tous les retours non-autorisés doit être refusés et renvoyé à l'expéditeur. Les coûts de fret doivent être payés par l'acheteur. Appeler 1-866-815-2036 de Lundi a Vendredi 8:00 a.m. - 5:00 p.m. (Temps standard central). Ou envoyer le courrier électronique à : info@arnorthamerica.com 24 heures sur 24 heures.

**A.R. North America, Inc.**

Attn: Département de la Garantie du Nettoyeur de Pression

140 - 81st Avenue NE, Fridley, MN 55432

Phone: 866-235-5112

E-Mail: info@arnorthamerica.com