

SINCE 1839

BRINLY

SINCE 1839

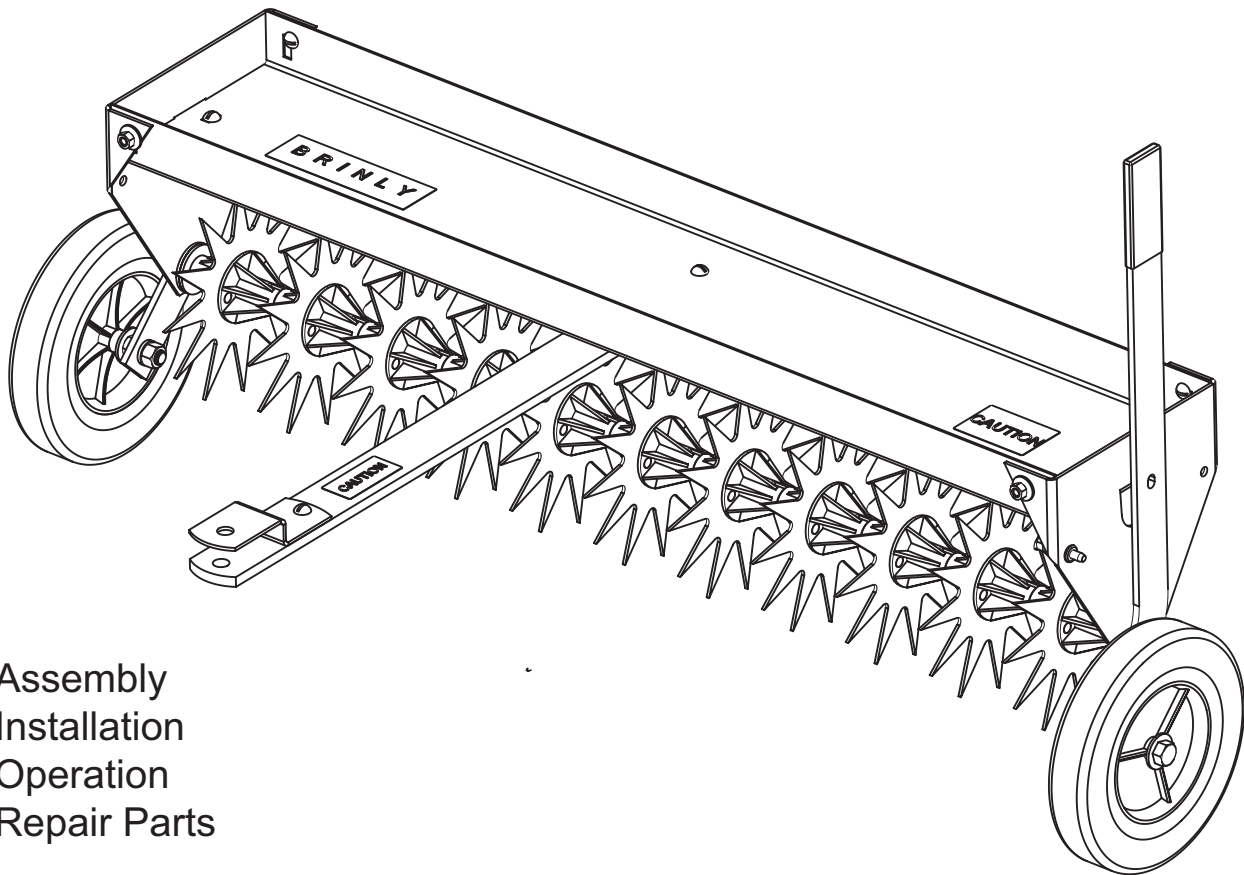
BRINLY

OWNER'S MANUAL

40" LAWN AERATOR

MODEL:

SAT-40 BH



- Assembly
- Installation
- Operation
- Repair Parts

For the latest product updates and setup tips:

Visit us on the web!
www.brinly.com

Important: This manual contains information for the safety of persons and property. Read it carefully before assembly and operation of the equipment!

L-1643-01-BH

CONGRATULATIONS on your new Brinly-Hardy Lawn Aerator! Your aerator has been designed, engineered and manufactured to give you the best possible dependability and performance.

Should you experience any problem you can not easily remedy, please do not hesitate to contact our knowledgeable customer service department toll-free at 1-877-728-8224. We have competent, well trained technicians to help you.

Please read and retain this manual. The instructions will enable you to assemble and maintain your dethatcher properly. And please, always observe the "Safety Rules".



CUSTOMER RESPONSIBILITIES _____

Read and Observe the "Safety Rules".

Follow a regular schedule in maintaining, caring-for and using your Brinly-Hardy Lawn Aerator.

TABLE OF CONTENTS _____

SAFETY RULES	2
TOOL REFERENCE.....	3
EXPLODED REFERENCE.....	4
PARTS REFERENCE.....	5
ASSEMBLY	6-8
MAINTENANCE.....	9
OPERATION.....	9
PRODUCTS.....	11
WARRANTY.....	11



RULES FOR SAFE OPERATION _____

- Know controls and how to stop safely, READ THE OWNER'S MANUAL before operating.
- Do not allow children to operate the vehicle, do not allow adults to operate without proper instruction or without having read the owner's manual.
- Do not carry passengers. Keep children and pets a safe distance away.
- Always wear substantial footwear. Do not wear loose fitting clothing that can get caught in moving parts.
- Keep your eyes and mind on your tractor/attachment and area being covered. Do not let other interests distract you.
- Stay alert for holes in the terrain and other hidden hazards.
- Do not drive close to creeks, ditches and public highways.
- Watch out for traffic when crossing or near roadways.

When using any attachment, don't allow anyone near

- the vehicle while in operation.
- Keep the vehicle and attachment in good operating condition and keep safety devices in place.
- Keep all nuts, bolts and screws tight to be sure the equipment is in safe working condition.
- The vehicle and attachment should be stopped and inspected for damage after striking a foreign object. The damage should be repaired before restarting and operating the equipment.
- See tractor equipment owner's manual for safe operation of the equipment.



OPERATING HINTS _____

- Tines have extremely sharp points. Wear gloves handle with care.
- Always disconnect Aerator from tractor when cleaning or servicing unit.
- Do not stand or ride on Aerator, bodily injury could result.
- Only tow your Aeroator behind vehicles for which it was designed, riders and lawn/ garden tractors.
- To avoid personal injury and/or equipment damage, never exceed the recommended operating speed range of 3 to 5 M.P.H.
- When backing, carefully back straight to avoid jack-knifing which could result in damage to equipment.
- To avoid damage to Tines, always engage transport wheels when crossing concrete or asphalt walks, drives and roads.
- Do not overload tray, Maximum capacity, 100 lbs.
- Store unit with tines against a wall or floor, to avoid accidental contact.
- Do not attempt to disconnect Aerator from tractor with weight on tray.

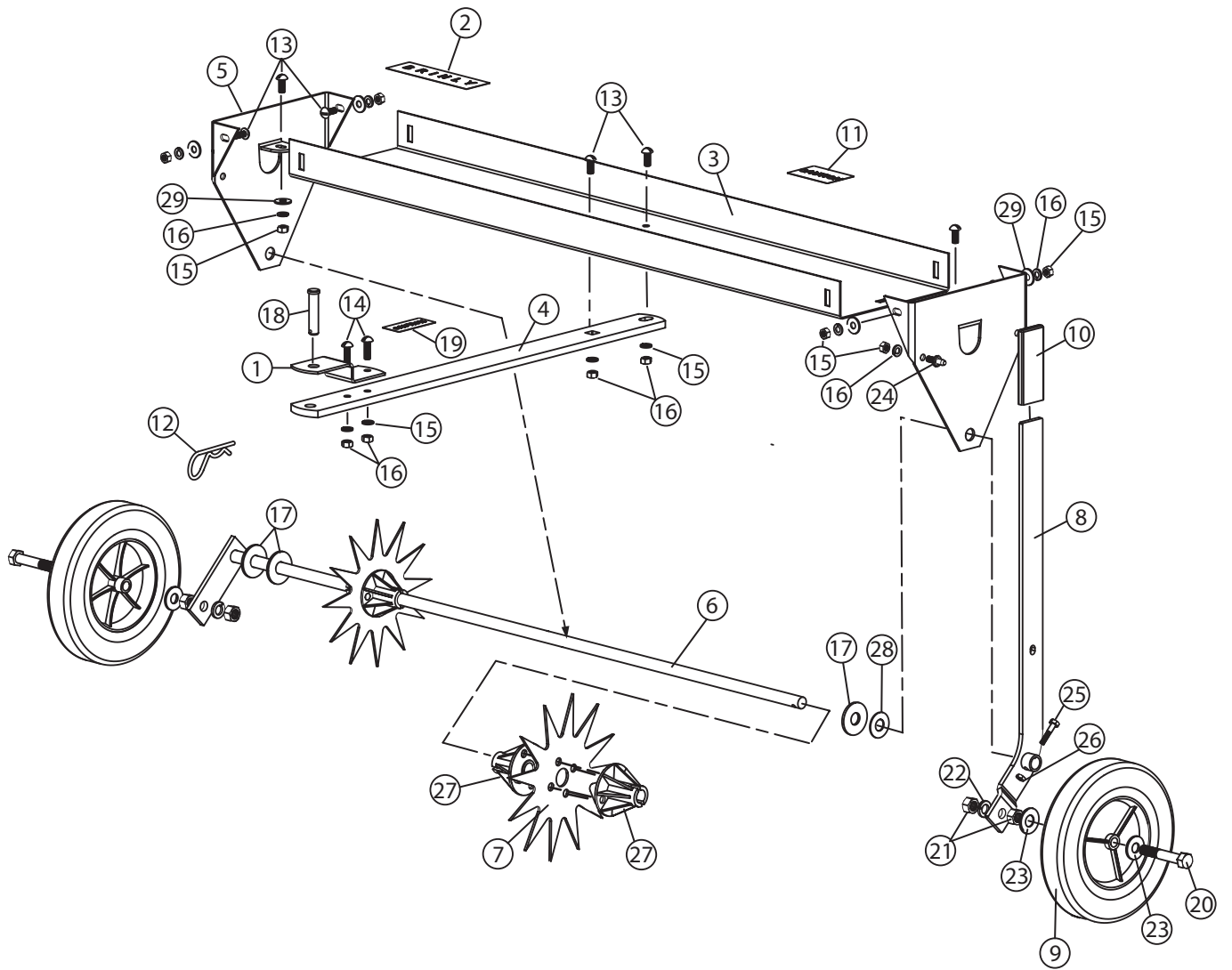


This symbol will help to point out important safety precautions throughout this manual. It means - ATTENTION! BECOME ALERT! Your safety is involved.

Tools Required for Assembly:

- * 1- *Pair of work gloves*
 - * 1- *Pair of Pliers*
 - * 1- *Screwdriver (flat blade)*
 - * 2- *7/16" Wrenches*
 - * 1- *1/2" Wrech*
- or*
- * 2- *Adjustable Wrenches*

Parts Reference



Parts List

REF. NO.	PART NO.	DESCRIPTION	QTY.
1	R-821-10	Drawbar Clevis	1
2	B-5925	Logo Decal	1
3	B-5453-10	Tray	1
4	B-3593-10	Drawbar	1
5	B-4892-10	End Panel	2
6	B-5832-10	Axel Assembly	1
7	B-5423-10	Tine	11
8	B-4888-10	Handle Assembly	1
9	R-891	Wheel	2
10	B-4867	Handle Grip	1
11	R-1946	Caution Decal	1
12	D-146P	Hairpin Cotter	1
13	20M1012P	Round Head Screw, 5/16"x3/4"	8
14	20M1016P	Round Head Screw, 5/16"x1"	2
15	30M1000P	Hex Nut, 5/16"	11
16	40M1000P	Lock Washer, 5/16"	11
17	B-5456	Flat Washer, 5/8" (thick)	5
18	B-3861	Drawbar Pin	1
19	B-3922	Caution Decal	1
20	1M1648P	Hex Bolt, 1/2"x3"	2
21	30M1600P	Hex Nut, 1/2"	4
22	40M1600P	Lock Washer, 1/2"	2
23	45M1717P	Flat Washer, 1/2"	4
24	B-3307-S	Transport Lock Pin	1
25	2M0820P	Hex Bolt, 1/4"x1-1/4"	1
26	B-1673P	Hex Lock Nut, 1/4"	1
27	B-5425	Spacer/Bearing Tube	22
28	B-4768	Flat Washer, 5/8" (thin)	2
29	45M1111P	Flat Washer, 5/16"	6

To Order Parts Call:
877-728-8224

Visit us on the web:
www.brinly.com



Figure 1.

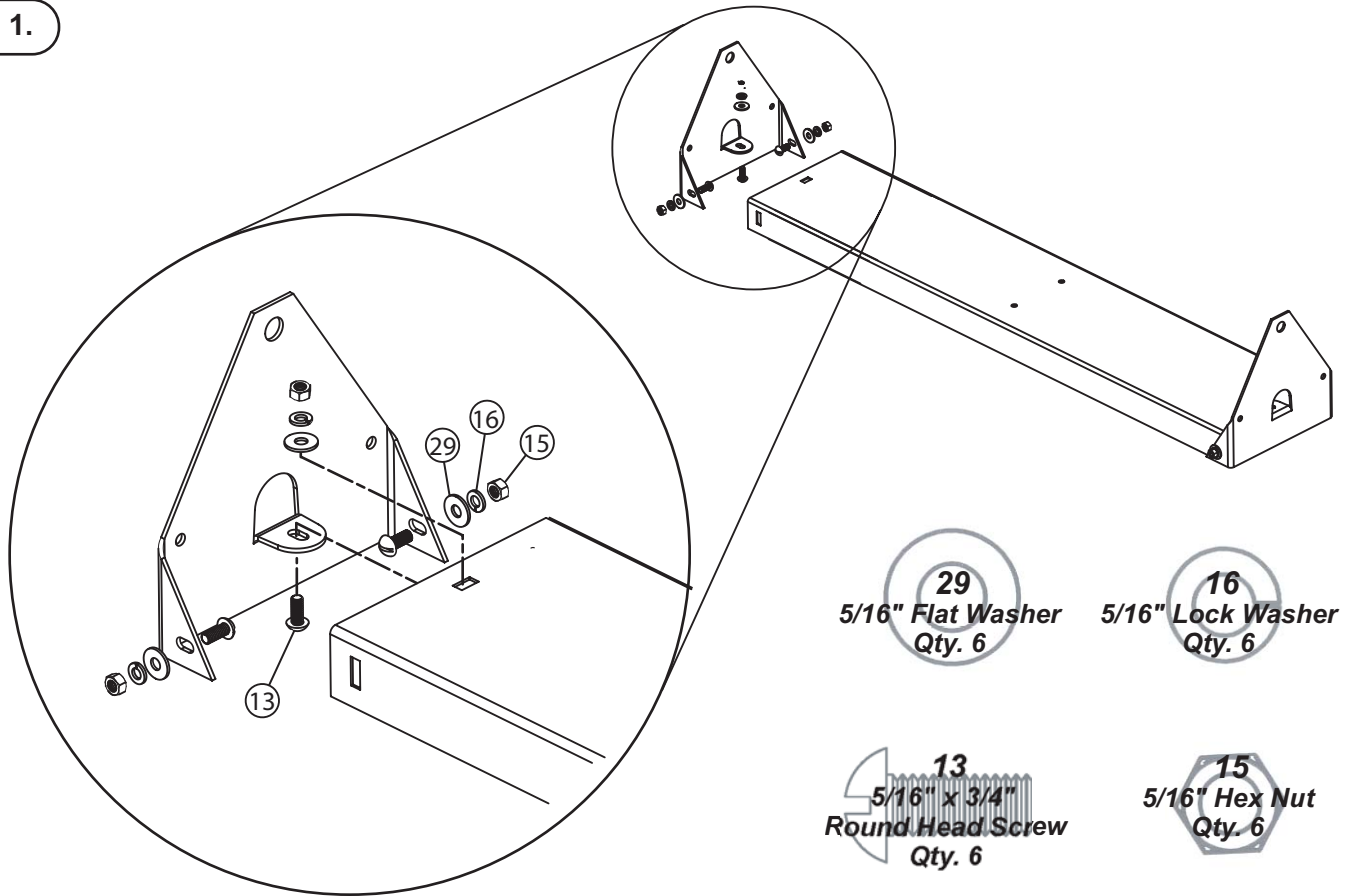


Figure 2.

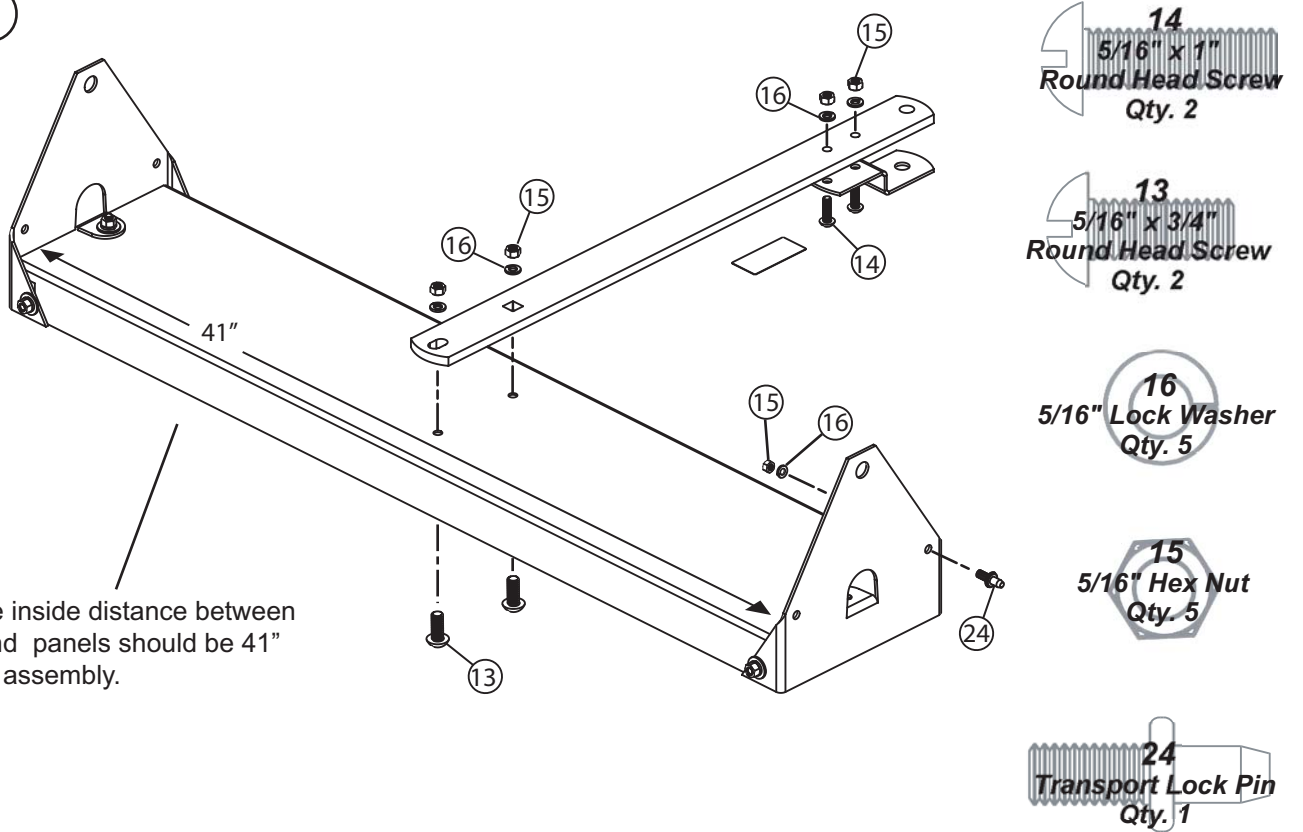


Figure 3.

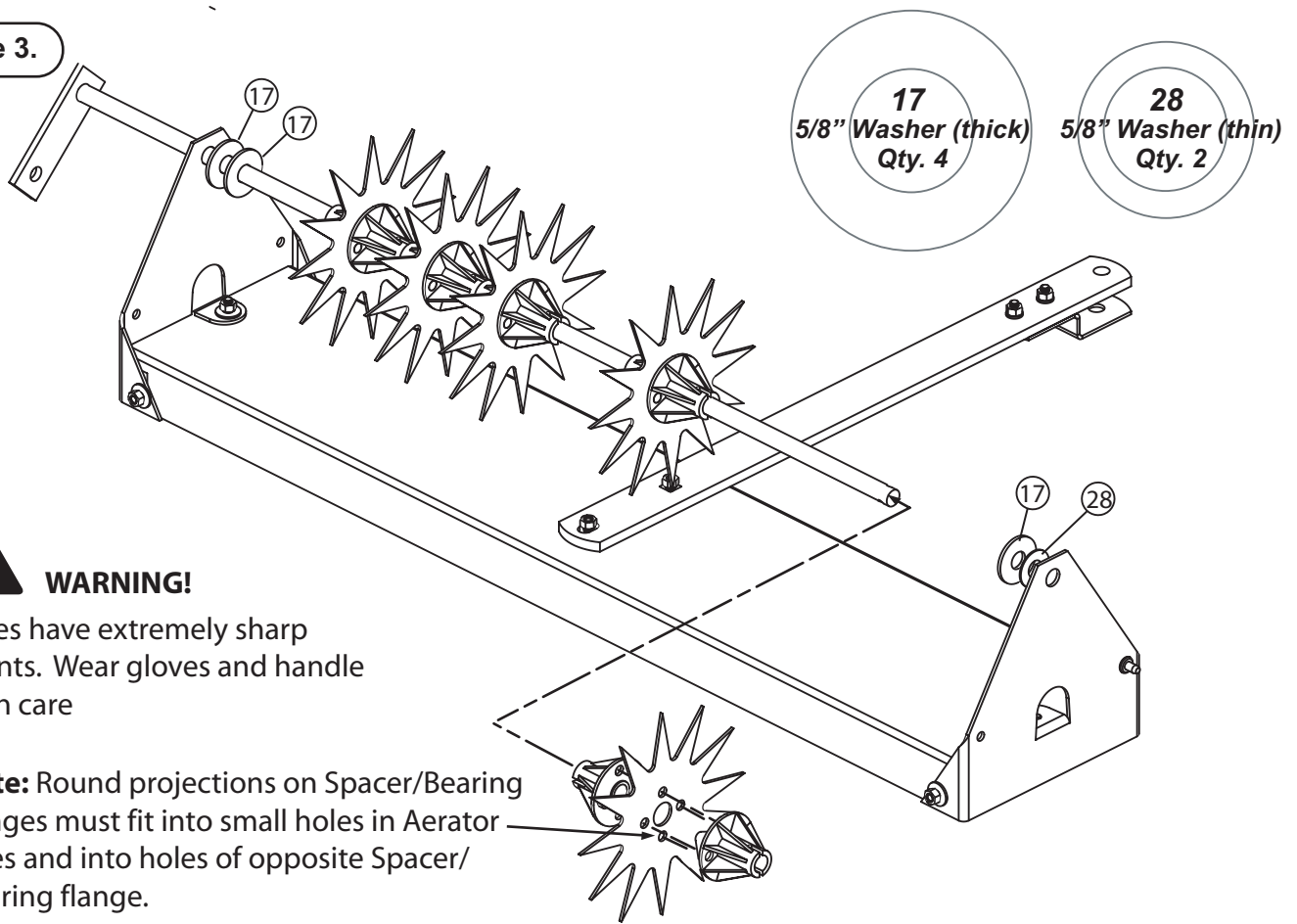
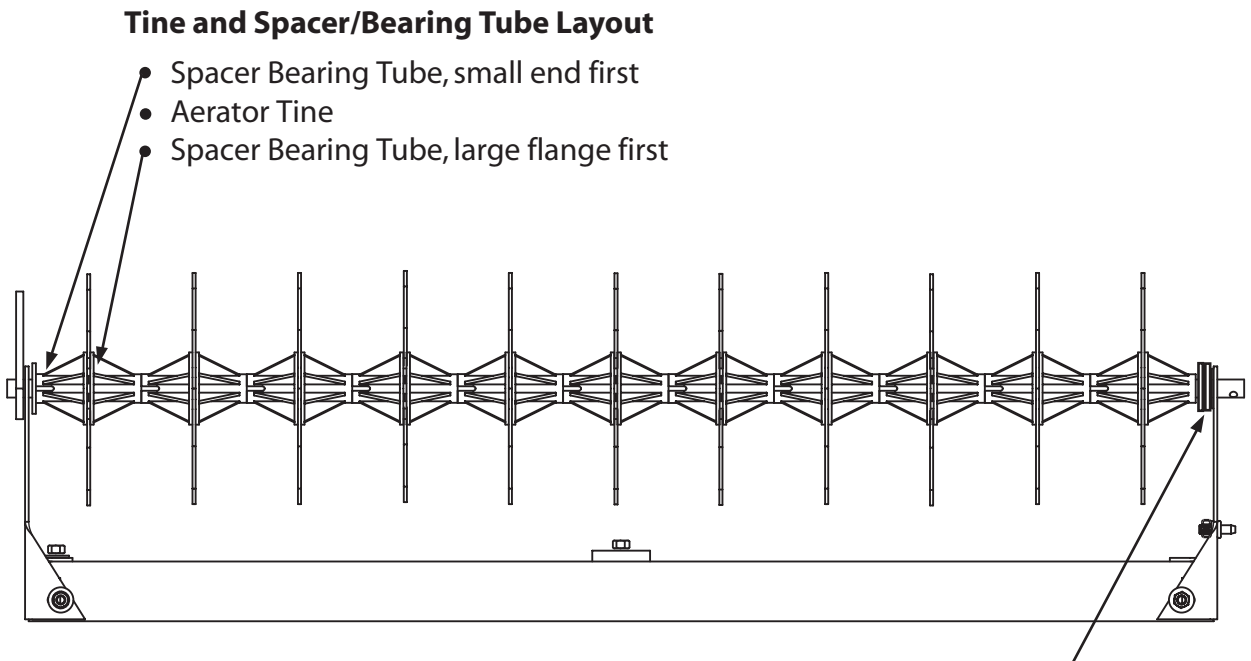


Figure 4.



Note: Tines must not move from side to side inside opening of end panels. If looseness exists, use additional 5/8" Thick or Thin Washers (17 or 28) inside End Panel to eliminate any side movement.

Figure 5.

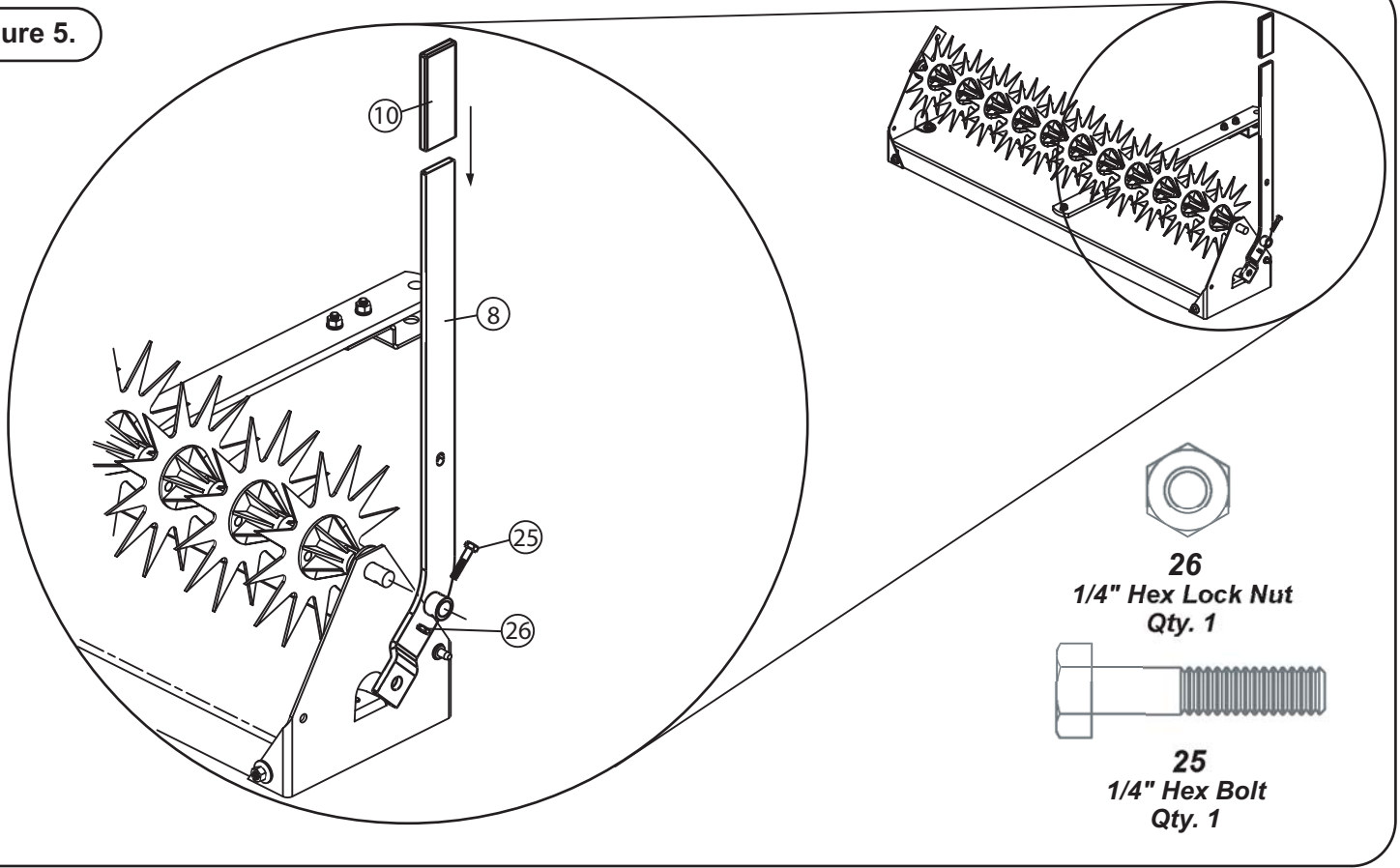


Figure 6.

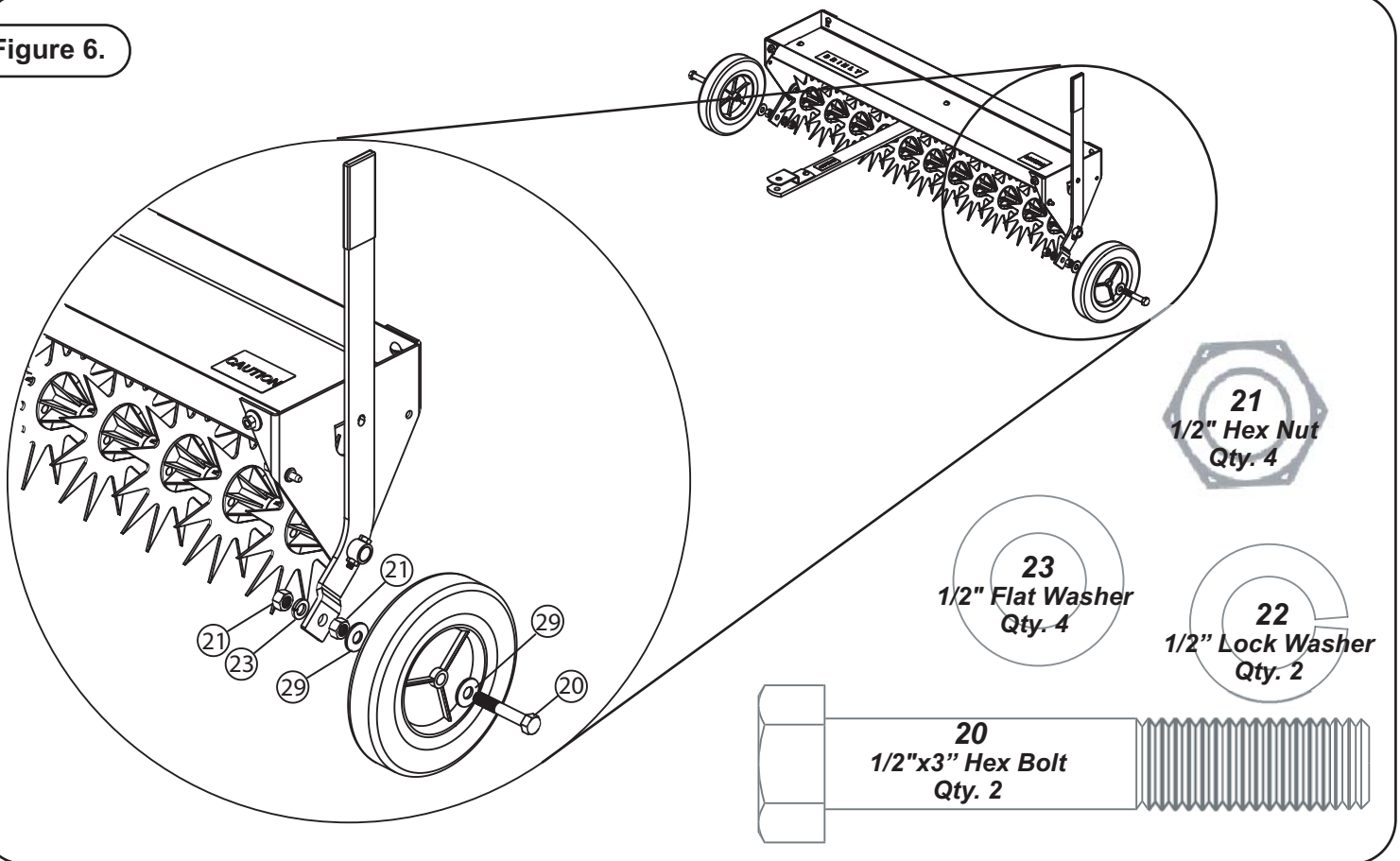


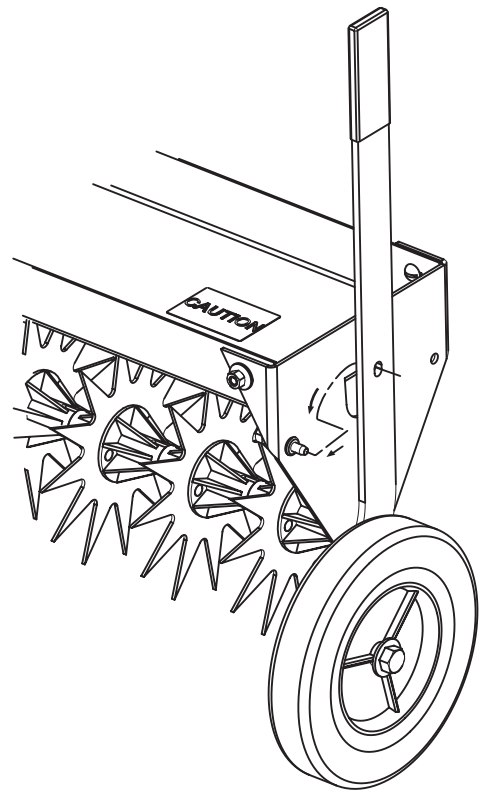
Figure 7.

MOUNTING AND TRANSPORTING

Attach Aerator to your rider using Pin (18) and Hairpin Cotter (12) supplied.

To place in Transport Position: Pull FORWARD on Handle Assembly (8), pull out slightly and position over Transport Lock Pin (24). Aerator rests on wheels.

To place in Operating Position: Pull OUT on Handle Assembly (releasing from Transport Position) and move Handle BACK. Aerator should rest on Tines.



OPERATION

- A moderate soil moisture content is important to proper operation of the Aerator. Penetration will not occur in extremely dry soil, and wet conditions will cause the unit to “bog down”.
- For best penetration, add extra weight to the Tray. Concrete Patio Blocks are recommended, however any weight is suitable if it can be tied down.
- If blocks are used, normally two are sufficient for good penetration, provided lawn is not too dry.
- Weight should be added with Drawbar attached to Tractor Drawbar and may be secured with rubber tie down straps, bailing wire, rope etc. Hole in Tray End Plates can be used to secure bindings.
- The Aerator may be used as a single independent operation, or in most circumstances, can be used while mowing your grass.

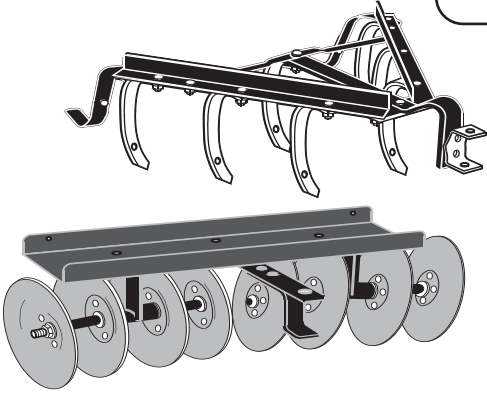


MAINTENANCE

- The Aerator is essentially maintenance free. However, as with any steel product, it can rust. To prevent or eliminate rust on Tines, apply a light coat of oil.
- For rust appearing on Tray or Mounting Brackets, sand lightly and coat with enamel.
- Periodically check the Aerating Tines and remove any debris that might build up and restrict their action.
- Apply a drop of lubricating oil at each Tine/Bearing Assembly before use.
- Always store in a dry area.

Notes:

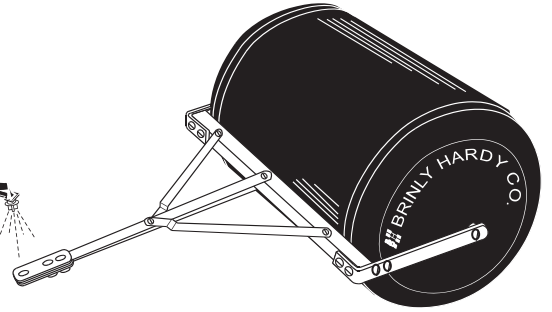
Caring for the quality of your lawn
with the products from
Brinly-Hardy Company



Brinly's garden tractor items offer the largest selection to turn your garden tractor into a year-round tool. We have box scrapers, blades, cultivators, disk harrows, and even a plow! Remember that a sleeve hitch is required to hook up these items to your garden tractor.



Brinly sprayers are designed to be easy to use, extremely accurate, and long lasting. Our in-line mounted tank design means that even the biggest tank is easy to maneuver and can fit through a garden gate. Each unit comes with a tractor-mounted on/off control.



No more rust or dents with these poly lawn rollers. These units are much easier to deal with than the steel versions. They have rounded end caps that won't tear or gouge the lawn when turning. Erase the harmful effects of frost heaving and moles, or pack down newly sewn seed or sod.

Limited Warranty

Brinly-Hardy Company warrants only to the original retail purchaser that this product will remain free of defects in workmanship and materials under normal use and service for a period of two (2) years (NOTE: ninety (90) days for commercial or rental use) commencing with the date of purchase.

Any parts found to be defective within the warranty period will be replaced, with proof of date of purchase, at Brinly-Hardy Company's expense. Our obligation under this warranty is expressly limited to replacement or repair, at our option of parts, which are defective in material or workmanship within thirty (30) days of receipt of the parts. This warranty does not apply to damage caused by unreasonable use, including failure to provide necessary maintenance, nor does it apply to any transportation or labor charges.

WE MAKE NO OTHER EXPRESS WARRANTY NOR IS ANYONE AUTHORIZED TO MAKE ANY ON OUR BEHALF. ANY IMPLIED OR STATUTORY WARRANTIES, INCLUDING ANY WARRANTY OF MERCHANTABILITY OR FITNESS FOR A PARTICULAR PURPOSE, ARE LIMITED TO THE DURATION OF THIS WRITTEN WARRANTY. WE SHALL NOT BE LIABLE FOR CONSEQUENTIAL OR INCIDENTAL DAMAGES OF ANY KIND.

MADE IN THE U.S.A.
BRINLY-HARDY COMPANY TOLL-FREE 1-877-728-8224

Register Online at: www.brinly.com

Quality Insurance

Dear Customer,
We are very proud of our quality and endeavor to produce each product to meet high standards. Should your purchase not meet your expectations, we have a Quality Insurance Policy.

If you purchase a product and a part is missing or defective, please inform us of the problem on the "Comments" section of the Warranty Registration Card in this manual or online, or feel free to contact us toll free at 1-877-728-8224. PLEASE DO NOT RETURN THE PRODUCT TO THE STORE!

We will make every effort to ship a new replacement part to you within 24 hours at no charge.

Thank you,

Jane Hardy
President,
Brinly-Hardy Company

WARRANTY REGISTRATION CARD

To register your new product for warranty, please complete and return this card.

Name: _____

Address: _____

City: _____ State: _____ Zip: _____

Phone: _____

Product Purchased: _____ Model#: _____

Packing# (on carton): _____

Where purchased: _____ Date: _____

Type of ATV Owned: _____ Make: _____

Model: _____

Engine CC: _____

Size of Lawn: ___ 1/4-1/2acre ___ 1/2-1acre ___ 1-5 acre ___ 5+

Do you garden? _____ Use a tractor? _____ Tiller? _____

Your Occupation? _____

Your Email Address? _____