

CT9550SH

GE Cafe™ Series 30 in. Built-In Double Convection Wall Oven

Dimensions and Installation Information (in inches)

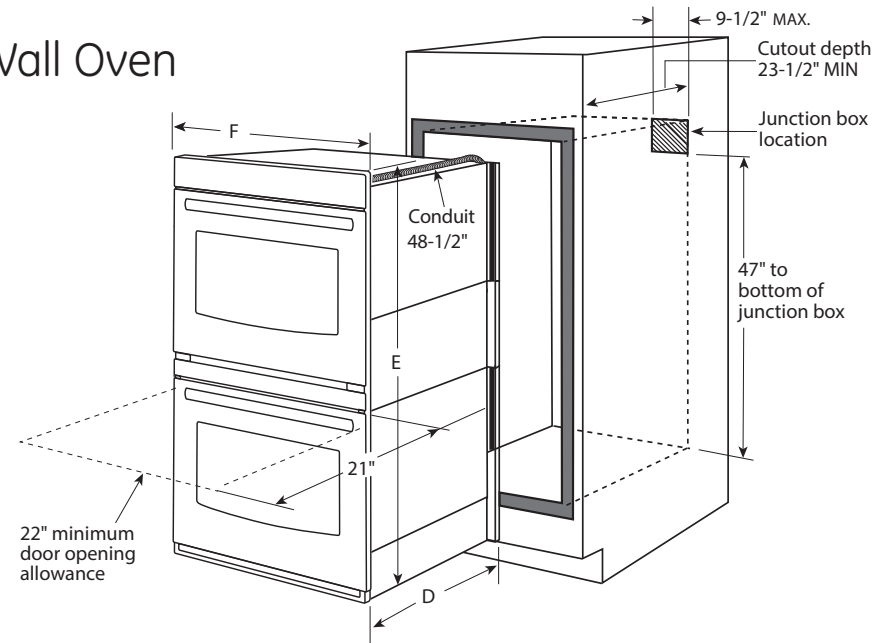
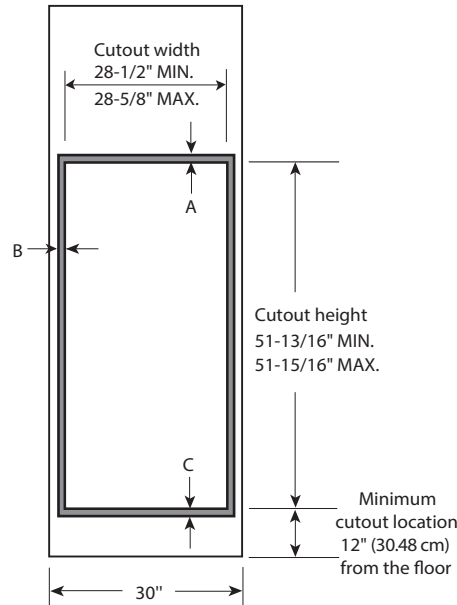
Note: Cabinets installed adjacent to wall ovens must have an adhesion spec of at least a 194°F temperature rating.

Door handle protrudes 2-1/2" from door face. Cabinets and drawers on adjacent 45° and 90° walls should be placed to avoid interference with the handle.

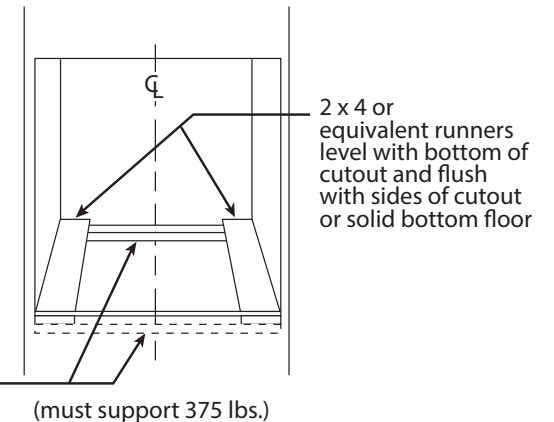
Electric wall ovens are not approved for installation with a plug and receptacle. They must be hard wired in accordance with installation instructions.

Installation Information: Before installing, consult installation instructions packed with product for current dimensional data.

KW Rating	
240V	9.0
208V	6.8
Breaker Size	
240V	40 Amps
208V	40 Amps



22" minimum door opening allowance



	CT9550
Cabinet	30"
A – Overlap of oven at top of cutout	1"
B – Overlap of oven over side of edges of cutout	3/4"
C – Overlap of oven at bottom of cutout	1-1/4"
Oven	
D – Overall depth with handle	27"
Overall depth without handle	23-1/2"
E – Overall height with trim	52-15/16"
F – Overall width	29-3/4"



For answers to your Monogram® or GE appliance questions, visit our website at geappliances.com or call GE Answer Center® service, 800.626.2000.



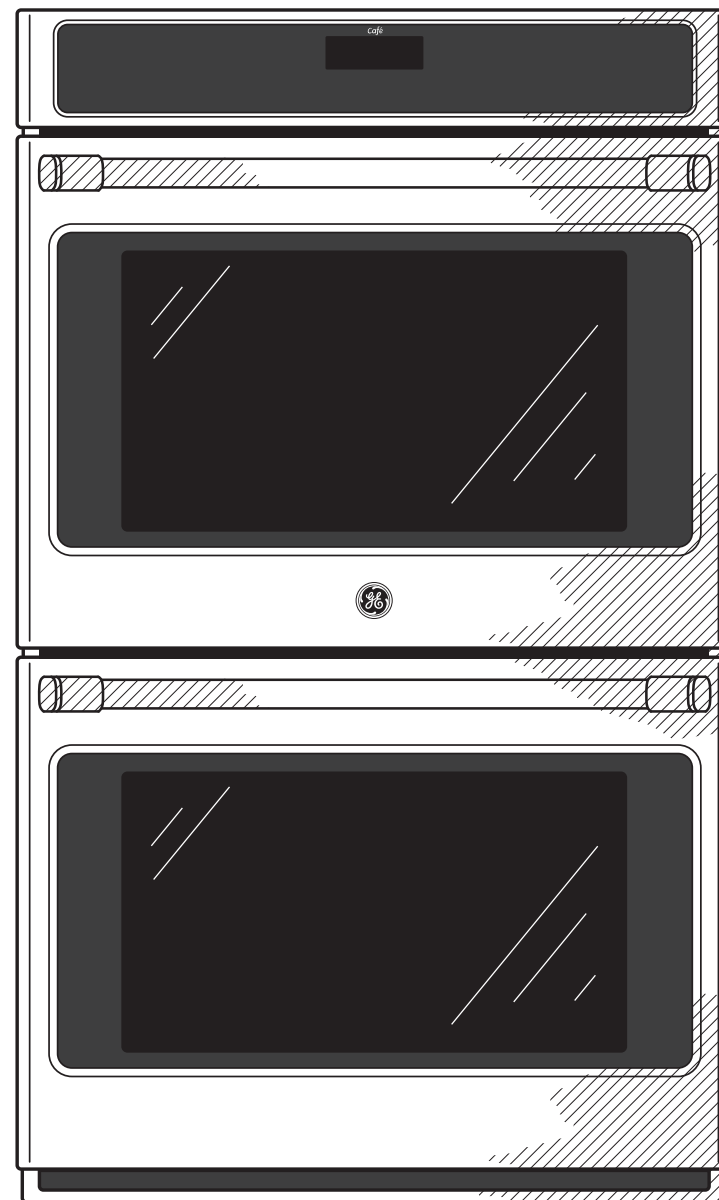
Specification Created 10/14

CT9550SH

GE Cafe™ Series 30 in. Built-In Double Convection Wall Oven

Features and Benefits

- True European Convection with Direct Air (both ovens) - Bakes evenly as warm air blows from the top in and around bakeware
- Brillion™-enabled - Wirelessly control oven functions from your smartphone
- Notification lighting - Know the status of your oven functions with a quick glance
- Ten-pass bake element - Even baking is assured with heat that covers more surface area
- Ten-pass dual broil element - Large and small dishes brown evenly with two, full-coverage elements
- Self-clean heavy-duty roller rack - Easily access items with a rack that glides smoothly
- Progressive halogen oven lighting - See what you're baking with lights that slowly illuminate the oven
- Self-clean with Steam Clean option (both ovens) - Clean your oven the way you want
- Glass touch controls - Set temperatures quickly and clean with little effort
- Double oven 10.0 cu. ft. total oven capacity (5.0 cu. ft. both ovens) - Large meals are easy with capacity that fits more at one time
- Model CT9550SHSS - Stainless steel



imagination at work