

GA144300TX "CHERRY"

GA244300TX "OAK"

JEWELRY ARMOIRE

Assembly Instructions



For assistance with assembly contact:
Southern Enterprises, Inc.
Customer Service 1-800-633-5096
service@seidal.com
www.seidal.com

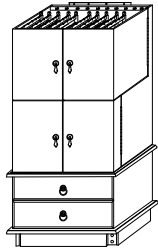


JEWELRY ARMOIRE

Parts List

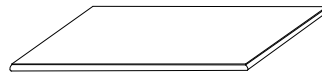
Please review all parts and hardware before disposing of any packaging. Call Customer Service if missing hardware. Do not return to store/retailer. Using a screw that is too long will cause damage. Before beginning assembly, separate each type of screw. Carefully study the screw diagrams below. You may receive extra hardware with your unit.

A Quantity of 1



ARMOIRE

(B) Quantity of 1



TOP PANEL

(C) Quantity of 4



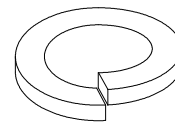
FRONT LEGS

(1) Quantity of 8



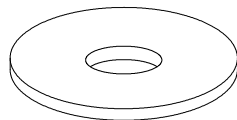
MACHINE SCREWS

(2) Quantity of 8



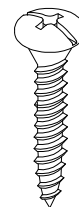
LOCKING WASHERS

(3) Quantity of 8



WASHERS

(4) Quantity of 4



WOOD SCREWS

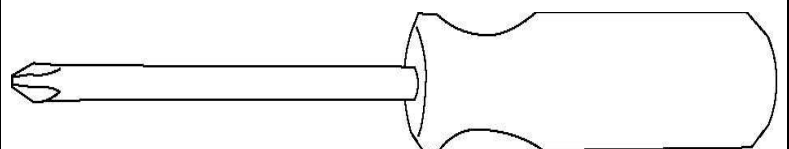
Care and Cleaning Instructions:

Before using, wipe with a clean, dry cloth. Periodically apply furniture wax to renew the finish. Avoid rubbing or scratching the surface with rough or abrasive objects.

For replacement parts or questions, please Call Customer Service at 1-800-633-5096 Do not return product to store, please call Manufacturer for assistance, questions or Parts.

Assembly Tool Required

No.2 Phillis Screwdriver (Not Included)



JEWELRY ARMOIRE

Assembly Instructions

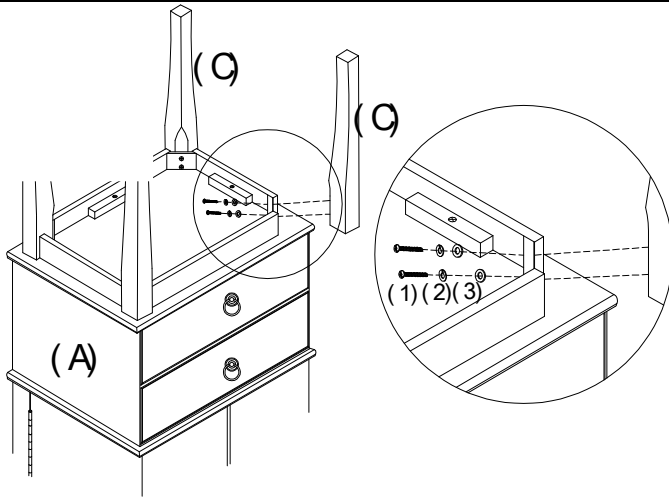


FIGURE 1

Assembly Instructions:

1 . PLACE THE ARMOIRE BODY

(A) ON THE FLOOR FLATWISE. INSERT THE LEG (C) INTO THE CORNER OF THE BOTTOM, THEN ATTACHED THE LEG (C) INTO THE ARMOIRE BODY (A) WITH MACHINE SCREW (1), LOCKING WASHER (2), WASHER (3). (AS SHOWN IN FIGURE 1).

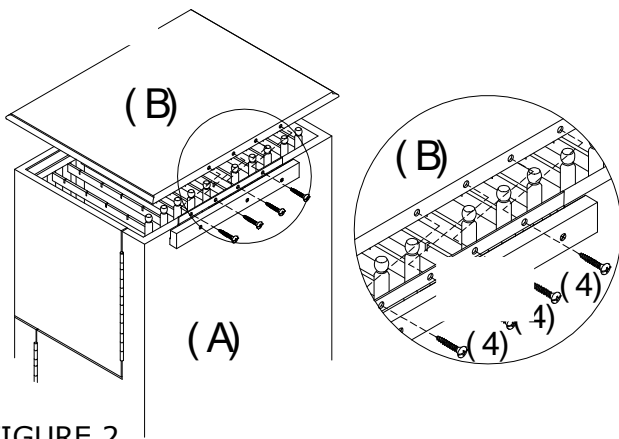


FIGURE 2

2 . TURN THE ARMOIRE

UPRIGHT, THEN SCREWING THE TOP PANEL (B) WITH WOOD SCREW (4) FROM BACK OF THE ARMOIRE BODY (A). (AS SHOWN IN FIGURE 2).



Now your jewelry armoire is ready to use



Customer Service 1-800-633-5096

service@seidal.com

Southern Enterprises, Inc.

600 Freeport Parkway,

Suite 200 Coppell, Texas, 75019

GA144300TX/GA244300TX - Parts Replacement Form

Customer Information

Name _____

Address _____

City/State/Zip Code _____

Phone Number _____

Please indicate where you purchased this item: Store/Website/Catalog

Please indicate color/size/style number:

Style No	Parts Letter	Parts Description	Quantity Needed
_____	_____	_____	_____
_____	_____	_____	_____
_____	_____	_____	_____

Missing or damaged hardware and/or parts will be replaced free of charge. We do not sell parts. Southern Enterprises Inc. will provide replacement parts for only those items purchased within the last 9 months. If this product has not been purchased from our retail affiliates (within 9 months), we are under no obligation to provide parts or replacement merchandise. Parts will not be available for items arriving fully assembled. Parts will be sent if available from SEI

Please contact Southern Enterprises at 800-633-5096 or in Dallas (972) 869-0111/ 9am – 4pm Mon-Fri Central time if you have product issues with your purchase. Please ask for a customer service representative for issues involving damages or replacement parts. Please ask for a technical assistance representative for any issues with product assembly and product construction.

Please contact the retailer that you purchased from for returns.

We'd love to hear from you! Email us photos of our products in your home at sei@seidal.com and we might feature it on our site or use it to model one of our inspirational photos.