

If you have questions or comments, contact us.  
 Pour toute question ou tout commentaire, nous contacter.  
 Si tiene dudas o comentarios, contáctenos.

1-800-4-DEWALT • www.dewalt.com

INSTRUCTION MANUAL  
 GUIDE D'UTILISATION  
 MANUAL DE INSTRUCCIONES

INSTRUCTIVO DE OPERACIÓN, CENTROS DE SERVICIO  
 Y POLIZA DE GARANTÍA. ADVERTENCIA: LEASE ESTE  
 INSTRUCTIVO ANTES DE USAR EL PRODUCTO.

# DEWALT®

DW140

Heavy-Duty 1/2" (13mm) End Handle Drill

Perceuse industrielle de 13 mm (1/2 po) à poignée arrière

Taladro con mango de 13 mm (1/2") para trabajos pesados

Minimum Gauge for Cord Sets

Volts	Total Length of Cord in Feet		Minimum Gauge for Cord Sets	
120V	0-25	26-50	51-100	101-150
240V	0-50	51-100	101-200	201-300
Ampere Rating		AWG		
More Than	Not more Than			
0	- 6	18	16	16
6	- 10	18	16	14
10	- 12	16	16	14
12	- 16	14	12	Not Recommended

3) PERSONAL SAFETY

- a) Stay alert, watch what you are doing and use common sense when operating a power tool. Do not use a power tool while you are tired or under the influence of drugs, alcohol or medication. A moment of inattention while operating power tools may result in serious personal injury.
- b) Use safety equipment. Always wear eye protection. Safety equipment such as dust mask, non-skid safety shoes, hard hat, or hearing protection used for appropriate conditions will reduce personal injuries.
- c) Avoid accidental starting. Ensure the switch is in the off-position before plugging in. Carrying power tools with your finger on the switch or plugging in power tools that have the switch on invites accidents.
- d) Remove any adjusting key or wrench before turning the power tool on. A wrench or a key left attached to a rotating part of the power tool may result in personal injury.
- e) Do not overreach. Keep proper footing and balance at all times. This enables better control of the power tool in unexpected situations.
- f) Dress properly. Do not wear loose clothing or jewellery. Keep your hair, clothing and gloves away from moving parts. Loose clothes, jewellery or long hair can be caught in moving parts. Air vents often cover moving parts and should also be avoided.
- g) If devices are provided for the connection of dust extraction and collection facilities, ensure these are connected and properly used. Use of these devices can reduce dust-related hazards.

4) POWER TOOL USE AND CARE

- a) Do not force the power tool. Use the correct power tool for your application. The correct power tool will do the job better and safer at the rate for which it was designed.
- b) Do not use the power tool if the switch does not turn it on and off. Any power tool that cannot be controlled with the switch is dangerous and must be repaired.
- c) Disconnect the plug from the power source and/or the battery pack from the power tool before making any adjustments, changing accessories, or storing power tools. Such preventive safety measures reduce the risk of starting the power tool accidentally.
- d) Store idle power tools out of the reach of children and do not allow persons unfamiliar with the power tool or these instructions to operate the power tool. Power tools are dangerous in the hands of untrained users.
- e) Maintain power tools. Check for misalignment or binding of moving parts, breakage of parts and any other condition that may affect the power tools operation. If damaged, have the power tool repaired before use. Many accidents are caused by poorly maintained power tools.
- f) Keep cutting tools sharp and clean. Properly maintained cutting tools with sharp cutting edges are less likely to bind and are easier to control.
- g) Use the power tool, accessories and tool bits etc., in accordance with these instructions and in the manner intended for the particular type of power tool, taking into account the working conditions and the work to be performed. Use of the power tool for operations different from those intended could result in a hazardous situation.

5) SERVICE

- a) Have your power tool serviced by a qualified repair person using only identical replacement parts. This will ensure that the safety of the power tool is maintained.

Additional Specific Safety Instructions for Drills

- Use auxiliary handles supplied with the tool. Loss of control can cause personal injury.
- Hold power tools by insulated gripping surfaces when performing an operation where the cutting tool may contact hidden wiring or its own cord. Contact with a "live" wire will make exposed metal parts of the tool "live" and shock the operator.
- Wear safety goggles or other eye protection. Hammering and drilling operations cause chips to fly. Flying particles can cause permanent eye damage.
- Keep handles dry, clean, free from oil and grease. It is recommended to use rubber gloves. This will enable better control of the tool.
- Do not overreach while operating the tool. Maintain a balanced working stance at all times. When necessary, use only properly positioned, safe, platforms and scaffolding. WORK SAFE.
- Do not operate this tool for long periods of time. Vibration caused by the operating action of this tool may cause permanent injury to fingers, hands, and arms. Use gloves to provide extra cushion, take frequent rest periods, and limit daily time of use.
- ▲ **WARNING: ALWAYS** use safety glasses. Everyday eyeglasses are NOT safety glasses. Also use face or dust mask if cutting operation is dusty. ALWAYS WEAR CERTIFIED SAFETY EQUIPMENT:
  - ANSI Z87.1 eye protection (CAN/CSA Z94.3),
  - ANSI S12.6 (S3.19) hearing protection,
  - NIOSH/OSHA/MSHA respiratory protection.

▲ **WARNING: Always wear proper personal hearing protection that conforms to ANSI S12.6 (S3.19) during use.** Under some conditions and duration of use, noise from this product may contribute to hearing loss.

▲ **WARNING: Always use eye protection.** All users and bystanders must wear eye protection that conforms to ANSI Z87.1.

▲ **WARNING: Some dust created by power sanding, sawing, grinding, drilling, and other construction activities contains chemicals known to cause cancer, birth defects, or other reproductive harm. Some examples of these chemicals are:**

- lead from lead-based paints,
- crystalline silica from bricks and cement and other masonry products, and
- arsenic and chromium from chemically-treated lumber (CCA).

Your risk from these exposures varies, depending on how often you do this type of work. To reduce your exposure to these chemicals: work in a well ventilated area, and work with approved safety equipment, such as those dust masks that are specially designed to filter out microscopic particles.

- Avoid prolonged contact with dust from power sanding, sawing, grinding, drilling, and other construction activities. Wear protective clothing and wash exposed areas with soap and water. Allowing dust to get into your mouth, eyes, or lay on the skin may promote absorption of harmful chemicals.

▲ **WARNING: Use of this tool can generate and/or disburse dust, which may cause serious and permanent respiratory or other injury.** Always use NIOSH/OSHA approved respiratory protection appropriate for the dust exposure. Direct particles away from face and body.

- The label on your tool may include the following symbols. The symbols and their definitions are as follows:

V..... volts	A.....amperes
Hz..... hertz	W.....watts
min..... minutes	~ .....alternating current
— ..... direct current	n <sub>o</sub> .....no load speed
Ⓛ ..... Class I Construction (grounded)	Ⓧ .....earthing terminal
Ⓜ ..... Class II Construction (double insulated)	▲ .....safety alert symbol
BPM.....beats per minute	.../min..... revolutions or reciprocation per minute

DOC NO: 651680-01-PDF1 VERSION: 1

SAVE THESE INSTRUCTIONS

DEWALT Industrial Tool Co., 701 East Joppa Road, Baltimore, MD 21286  
 (MAY07) Form No. 651680-01 DW140 Copyright © 2000, 2004, 2007 DEWALT

The following are trademarks for one or more DEWALT power tools: the yellow and black color scheme; the "D" shaped air intake grill; the array of pyramids on the handgrip; the kit box configuration; and the array of lozenge-shaped humps on the surface of the tool.

Definitions: Safety Guidelines

The definitions below describe the level of severity for each signal word. Please read the manual and pay attention to these symbols.

▲ **DANGER:** Indicates an imminently hazardous situation which, if not avoided, will result in death or serious injury.

▲ **WARNING:** Indicates a potentially hazardous situation which, if not avoided, could result in death or serious injury.

▲ **CAUTION:** Indicates a potentially hazardous situation which, if not avoided, may result in minor or moderate injury.

**CAUTION:** Used without the safety alert symbol indicates a potentially hazardous situation which, if not avoided, may result in property damage.

IF YOU HAVE ANY QUESTIONS OR COMMENTS ABOUT THIS OR ANY DEWALT TOOL, CALL US TOLL FREE AT: 1-800-4-DEWALT (1-800-433-9258)

General Safety Rules - For All Tools

▲ **WARNING!** Read all instructions. Failure to follow all instructions listed below may result in electric shock, fire and/or serious injury. The term "power tool" in all of the warnings listed below refers to your mains-operated (corded) power tool or battery-operated (cordless) power tool.

SAVE THESE INSTRUCTIONS

1) WORK AREA SAFETY

- a) Keep work area clean and well lit. Cluttered or dark areas invite accidents.
- b) Do not operate power tools in explosive atmospheres, such as in the presence of flammable liquids, gases or dust. Power tools create sparks which may ignite the dust or fumes.
- c) Keep children and bystanders away while operating a power tool. Distractions can cause you to lose control.

2) ELECTRICAL SAFETY

- a) Power tool plugs must match the outlet. Never modify the plug in any way. Do not use any adapter plugs with earthed (grounded) power tools. Unmodified plugs and matching outlets will reduce risk of electric shock
- b) Avoid body contact with earthed or grounded surfaces such as pipes, radiators, ranges and refrigerators. There is an increased risk of electric shock if your body is earthed or grounded.
- c) Do not expose power tools to rain or wet conditions. Water entering a power tool will increase the risk of electric shock
- d) Do not abuse the cord. Never use the cord for carrying, pulling or unplugging the power tool. Keep cord away from heat, oil, sharp edges or moving parts. Damaged or entangled cords increase the risk of electric shock. Replace or repair damaged cords. Make sure your extension cord is in good condition. Use only 3-wire extension cords that have 3-prong grounding-type plugs and 3-pole receptacles that accept the tool's plug.
- e) When operating a power tool outdoors, use an extension cord suitable for outdoor use. Use of a cord suitable for outdoor use reduces the risk of electric shock. When using an extension cord, be sure to use one heavy enough to carry the current your product will draw. An undersized cord will cause a drop in line voltage resulting in loss of power and overheating. The following table shows the correct size to use depending on cord length and nameplate ampere rating. If in doubt, use the next heavier gauge. The smaller the gauge number, the heavier the cord.

## Motor

Your DEWALT tool is powered by a DEWALT-built motor. Be sure your power supply agrees with the nameplate marking.

Voltage decrease of more than 10% will cause loss of power and overheating. DEWALT tools are factory tested; if this tool does not operate, check power supply.

## COMPONENTS (FIG. 1, 2)

**▲ WARNING:** Never modify the power tool or any part of it. Damage or personal injury could result.

- A. Trigger switch
- B. Reversing lever
- C. Side handle

### INTENDED USE

The DW140 heavy-duty end handle drill is designed for professional drilling at various work sites (i.e., construction sites). **DO NOT** use under wet conditions or in presence of flammable liquids or gases.

These heavy-duty end handle drills are professional power tools. **DO NOT** let children come into contact with the tool. Supervision is required when inexperienced operators use this tool.

### Switches (Fig. 1)

Pulling the trigger switch (A) turns the tool “ON”; releasing the trigger switch turns the tool “OFF”. For controlling the rotational direction of the spindle, there is a lever (B), integral to and on top of the trigger switch. For drilling (forward position) this lever should be slanted to the left side of the tool (viewing from behind the handle); for easing drill bits out of tight holes (reverse position) it should be slanted to the right side of the tool. A built-in mechanical interlock prevents changing the direction of the tool unless the trigger switch is released. After any reversing, return lever to forward position.

### Side Handle (Fig. 2)

**▲ WARNING:** To reduce the risk of serious personal injury, turn tool off and disconnect tool from power source before making any adjustments or removing/installing attachments or accessories.

**▲ WARNING:** Always operate the tool with the side handle properly installed. Failure to do so may result in the side handle slipping during tool operation and subsequent loss of control. Hold tool with both hands to maximize control.

A side handle (C) is provided that will thread into the holes provided on the gear case. Because of the extremely high torque of this drill, a side handle must be used when operating this drill. Screw the side handle into the hole in the gear case of your drill and tighten securely.

## OPERATION

**▲ WARNING:** To reduce the risk of serious personal injury, turn tool off and disconnect tool from power source before making any adjustments or removing/installing attachments or accessories.

### Inserting Bit

1. Open the chuck jaws by turning collar with fingers and insert bit fully into the chuck. Tighten chuck collar by hand.
2. Place chuck key in each of the three holes, and tighten in clockwise direction. It's important to tighten chuck with all three holes to prevent slippage.
3. To release bit, turn chuck key counter clockwise in just one hole, then loosen chuck by hand.

### Drilling

1. Use sharp drill bits only. For WOOD, use twist drill bits, spade bits, power auger bits, or hole saws. For METAL, use high-speed steel twist drill bits or hole saws. For MASONRY, such as brick, cement, cinder block etc., use carbide-tipped bits.
  2. Be sure the material to be drilled is anchored or clamped firmly. If drilling thin material, use a wood “back-up” block to prevent damage to the material.
  3. Always apply pressure in a straight line with the bit. Use enough pressure to keep drill biting, but do not push hard enough to stall the motor or deflect the bit.
  4. Hold drill firmly to control the twisting action of the drill. Use side handle.
- ▲ CAUTION:** Drill may stall if overloaded causing a sudden twist. Always expect the stall. Grip the drill firmly to control the twisting action and avoid injury.
5. **IF DRILL STALLS**, it is usually because it is being overloaded or improperly used. **RELEASE TRIGGER IMMEDIATELY**, remove drill bit from work, and determine cause of stalling. **DO NOT CLICK TRIGGER OFF AND ON IN AN ATTEMPT TO START A STALLED DRILL— THIS CAN DAMAGE THE DRILL.**
  6. To minimize stalling on breaking through the material, reduce pressure on drill and ease the bit through the last fractional part of the hole.
  7. Keep the motor running when pulling the bit back out of a drilled hole. This will help prevent jamming.

### DRILLING IN METAL

Use a cutting lubricant when drilling metals. The exceptions are cast iron and brass which should be drilled dry. The cutting lubricants that work best are sulphurized cutting oil or lard oil; bacon grease will also serve the purpose.

### DRILLING IN WOOD

Holes in wood can be made with the same twist drills used for metal. These bits may overheat unless pulled out frequently to clear chips from the flutes. For larger holes, use Power Drill Wood Bits. Work that is apt to splinter should be backed up with a block of wood.

### Chuck

1. Always completely insert the shank of the drill bit or accessory in the chuck. This permits full gripping power and prevents cocking the chuck jaws. When using drill bits or accessories with 3 “flats” on the shank, the chuck jaws should be located on the center of these flats.
2. Use all three holes in the chuck body to tighten the jaws. Insert the chuck key into each hole and tighten as much as possible. To release the drill bit, use the chuck key in only one hole.
3. Use only a chuck key to tighten or loosen the chuck jaws.

### Chuck Removal (Fig. 3, 4, 5)

1. Place chuck key in chuck as shown in Figure 4.
2. Using a wooden mallet or similar object, strike key sharply in a clockwise direction. This will loosen screw inside chuck (Fig. 4).
3. Open chuck jaws fully. Insert screwdriver (or 3/16", 5mm, hex wrench (E) if required) into front of chuck between jaws to engage screw head (F).
4. Remove screw by turning clockwise (left-hand thread).
5. Place key in chuck as shown in Figure 5.
6. Using a wooden mallet or similar object, strike key sharply in a counterclockwise direction. This will loosen chuck so that it can be unscrewed by hand (Fig. 5).

## MAINTENANCE

**▲ WARNING:** To reduce the risk of serious personal injury, turn tool off and disconnect tool from power source before making any adjustments or removing/installing attachments or accessories.

### Cleaning

**▲ WARNING:** Never use solvents or other harsh chemicals for cleaning the non-metallic parts of the tool. These chemicals may weaken the plastic materials used in these parts. Use a cloth dampened only with water and mild soap. Never let any liquid get inside the tool; never immerse any part of the tool into a liquid.

### Motor Brushes

Be sure tool is unplugged before inspecting brushes. Carbon brushes should be regularly inspected for wear. To inspect brushes, unscrew the plastic brush inspection caps (located in the sides of the motor housing) and withdraw the spring and brush assemblies from the tool. Keep brushes clean and sliding freely in their guides. Carbon brushes have varying symbols stamped into them, and if the brush is worn down to the line closest to the spring, it must be replaced. New brush assemblies are available at DEWALT certified service centers.

FIG. 1

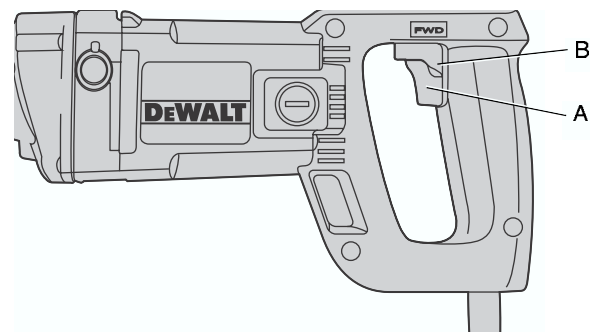


FIG. 2

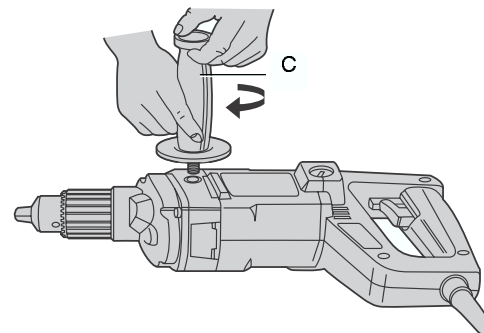


FIG. 3

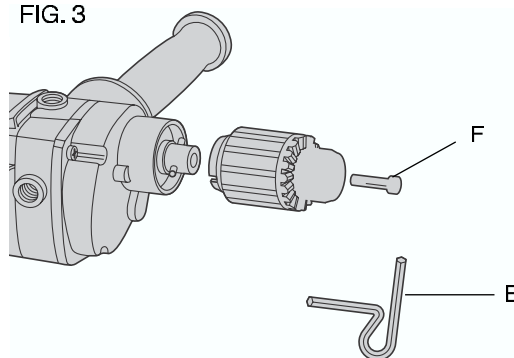


FIG. 4

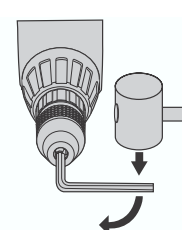
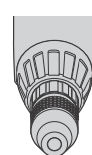


FIG. 5



### Lubrication

Your tool was properly lubricated before leaving the factory. In from two to six months, depending upon use, take or send your tool to a DEWALT Service Center or other qualified service organization for a complete cleaning, inspection and relubrication.

Tools used constantly on production or heavy duty jobs or exposed to heat may require more frequent lubrication. Tools “out of service” for long periods should be relubricated before being put back into service.

### Accessories

**▲ WARNING:** Since accessories, other than those offered by DEWALT, have not been tested with this product, use of such accessories with this tool could be hazardous. To reduce the risk of injury, only DEWALT, recommended accessories should be used with this product.

Recommended accessories for use with your tool are available at extra cost from your local dealer or authorized service center. If you need assistance in locating any accessory, please contact DEWALT Industrial Tool Co., 701 East Joppa Road, Baltimore, MD 21286, call 1-800-4-DEWALT (1-800-433-9258) or visit our website [www.dewalt.com](http://www.dewalt.com).

### Repairs

To assure product SAFETY and RELIABILITY, repairs, maintenance and adjustments (including brush inspection and replacement) should be performed by a DEWALT factory service center, a DEWALT authorized service center or other qualified service personnel. Always use identical replacement parts.

### Three Year Limited Warranty

DEWALT will repair, without charge, any defects due to faulty materials or workmanship for three years from the date of purchase. This warranty does not cover part failure due to normal wear or tool abuse. For further detail of warranty coverage and warranty repair information, visit [www.dewalt.com](http://www.dewalt.com) or call 1-800-4-DEWALT (1-800-433-9258). This warranty does not apply to accessories or damage caused where repairs have been made or attempted by others. This warranty gives you specific legal rights and you may have other rights which vary in certain states or provinces.

In addition to the warranty, DEWALT tools are covered by our:

#### 1 YEAR FREE SERVICE

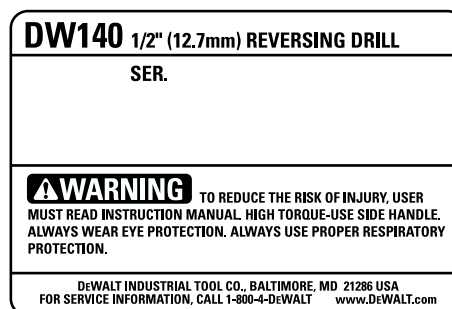
DEWALT will maintain the tool and replace worn parts caused by normal use, for free, any time during the first year after purchase.

#### 90 DAY MONEY BACK GUARANTEE

If you are not completely satisfied with the performance of your DEWALT Power Tool, Laser, or Nailer for any reason, you can return it within 90 days from the date of purchase with a receipt for a full refund – no questions asked.

**LATIN AMERICA:** This warranty does not apply to products sold in Latin America. For products sold in Latin America, see country specific warranty information contained either in the packaging, call the local company or see website for warranty information.

**FREE WARNING LABEL REPLACEMENT:** If your warning labels become illegible or are missing, call 1-800-4-DEWALT for a free replacement.



## Définitions : lignes directrices en matière de sécurité

Les définitions ci-dessous décrivent le niveau de danger pour chaque mot-indicateur employé. Veuillez lire le mode d'emploi et porter une attention particulière à ces symboles.

**▲ DANGER** : indique une situation dangereuse imminente qui, si elle n'est pas évitée, causera la mort ou des blessures graves.

**▲ AVERTISSEMENT** : indique une situation potentiellement dangereuse qui, si elle n'est pas évitée, pourrait se solder par un décès ou des blessures graves.

**▲ MISE EN GARDE** : indique une situation potentiellement dangereuse qui, si elle n'est pas évitée pourrait se solder par des blessures mineures ou modérées.

**MISE EN GARDE** : utilisé sans le symbole d'alerte à la sécurité, indique une situation potentiellement dangereuse qui, si elle n'est pas évitée pourrait se solder par des dommages à la propriété.

POUR TOUTE QUESTION OU TOUT COMMENTAIRE RELATIF CET OUTIL OU À PROPOS DE TOUT AUTRE OUTIL DEWALT, COMPOSER SANS FRAIS LE : **1 (800) 4-DEWALT (1 (800) 433-9258)**

## Règles générales de sécurité concernant les outils à piles

**▲ AVERTISSEMENT** : Lire toutes ces directives. Tout manquement aux directives suivantes pose des risques de choc électrique, d'incendie et/ou de blessure grave. Le terme « outil électrique » dans tous les avertissements ci-après se rapporte à votre outil électrique à alimentation sur secteur (avec fil) ou par piles (sans fil).

### CONSERVER CES DIRECTIVES

#### 1) SÉCURITÉ - AIRE DE TRAVAIL

- Maintenir l'aire de travail propre et bien éclairée.** Les lieux encombrés ou sombres sont propices aux accidents.
- Ne pas faire fonctionner un outil électrique dans une atmosphère explosive, en présence par exemple de poussières, gaz ou liquides inflammables.** Les outils électriques peuvent engendrer des étincelles qui pourraient enflammer toute émanation ou poussière ambiante.
- Tenir les enfants, ou toute autre personne, éloignés pendant l'utilisation d'un outil électrique.** Toute distraction pourrait vous faire perdre la maîtrise de ce dernier.

#### 2) SÉCURITÉ – ÉLECTRICITÉ

- La fiche électrique de l'outil doit correspondre à la prise murale. Ne jamais modifier la fiche en aucune façon. Ne jamais utiliser de fiche d'adaptation avec un outil électrique mis à la terre.** L'utilisation de fiches d'origine et de prises appropriées réduira les risques de choc électrique.
- Éviter tout contact corporel avec des éléments mis à la terre comme tuyaux, radiateurs, cuisinières ou réfrigérateurs.** Les risques de choc électrique augmentent lorsque le corps est mis à la terre.
- Ne pas exposer les outils électriques à la pluie ou à l'humidité.** Toute pénétration d'un outil électrique par un liquide augmente les risques de choc électrique.
- Ne pas utiliser le cordon de façon abusive. Ne jamais utiliser le cordon pour transporter, tirer ou débrancher un outil électrique. Protéger le cordon de la chaleur, de l'huile et de tout bord tranchant ou pièce mobile.** Les cordons endommagés ou emmêlés augmentent les risques de choc électrique. Remplacer ou faire réparer tout cordon endommagé. S'assurer que la rallonge est en bon état. N'utiliser que des rallonges trifilaires munies de fiches tripolaires et des prises tripolaires acceptant la fiche de l'outil.
- Lors de l'utilisation d'un outil électrique à l'extérieur, n'utiliser que des rallonges conçues pour l'extérieur.** L'utilisation d'une rallonge conçue pour l'extérieur réduit les risques de choc électrique. En cas d'utilisation d'une rallonge, s'assurer que les valeurs nominales de la rallonge utilisée correspondent bien à celles de l'outil alimenté. L'usage d'une rallonge de calibre insuffisant causera une chute de tension entraînant perte de puissance et surchauffe. Le tableau ci-dessous illustre les calibres à utiliser selon la longueur de rallonge et l'intensité nominale indiquée sur la plaque signalétique. En cas de doutes, utiliser le calibre suivant. Plus le calibre est petit, plus la rallonge peut supporter de courant.

Calibre minimum pour une rallonge

Volts	Longueur totale de la rallonge en pieds			
120 V	0-25	26-50	51-100	101-150
240 V	0-50	51-100	101-200	201-300
Intensité nominale	AWG			
Plus de	Pas plus de			
0	- 6	18	16	14
6	- 10	18	16	14
10	- 12	16	16	14
12	- 16	14	12	Non recommandé

#### 3) SÉCURITÉ PERSONNELLE

- Rester vigilant en tout temps et faire preuve de jugement pendant l'utilisation d'un outil électrique. Ne pas utiliser d'outil électrique en cas de fatigue ou sous l'influence de drogues, d'alcool ou de médicaments.** Tout moment d'inattention pendant l'utilisation d'un outil électrique pose des risques de blessure grave.
- Utiliser le matériel de sécurité approprié. Toujours porter des lunettes de protection.** Le fait de porter un masque anti-poussières, des chaussures antidérapantes, un casque de sécurité ou des protecteurs auditifs lorsque la situation le requiert réduira les risques de blessure.
- Éviter tout démarrage accidentel. S'assurer que l'interrupteur est en position d'arrêt avant tout branchement.** Transporter un outil le doigt sur l'interrupteur ou brancher un outil électrique alors que l'interrupteur est en position de marche invite les accidents.
- Retirer toute clé de réglage avant de démarrer l'outil.** Une clé laissée sur une pièce rotative d'un outil électrique pose des risques de blessure.
- Ne pas effectuer de travaux hors de portée. Les pieds doivent rester bien ancrés au sol afin de maintenir son équilibre en tout temps.** Cela permet de mieux maîtriser l'outil électrique dans les situations imprévues.
- Porter des vêtements appropriés. Ne pas porter de vêtements amples ni de bijoux. Maintenir cheveux, vêtements et gants éloignés des pièces mobiles.** Vêtements amples, bijoux ou cheveux longs risquent de rester coincés dans ces pièces mobiles. Prendre des précautions autour des événements car ils recouvrent des pièces mobiles.
- Lorsque un dispositif de connexion à un système de dépose de poussière ou d'élimination est fourni, s'assurer qu'il est connecté et utilisé correctement.** L'utilisation de ces dispositifs peut réduire les risques engendrés par les poussières.

#### 4) UTILISATION ET ENTRETIEN DES OUTILS ÉLECTRIQUES

- Ne pas forcer un outil électrique. Utiliser l'outil approprié au travail en cours.** L'outil approprié effectuera un meilleur travail, de façon plus sûre et à la vitesse pour laquelle il a été conçu.
- Ne pas utiliser un outil électrique dont l'interrupteur est défectueux.** Tout appareil dont l'interrupteur est défectueux est dangereux et doit être réparé.
- Débrancher la fiche du secteur et/ou le bloc-piles de l'outil électrique avant de faire tout réglage ou changement d'accessoire, ou avant de ranger ce dernier.** Ces mesures préventives réduisent les risques de démarrage accidentel de l'appareil.
- Après usage, ranger les outils électriques hors de la portée des enfants, et ne permettre à aucune personne n'étant pas familière avec un outil électrique (ou son manuel d'instruction) d'utiliser ce dernier.** Les outils peuvent être dangereux entre les mains des novices.

**e) Entretenir les outils électriques. Vérifier les pièces mobiles pour s'assurer qu'elles sont bien alignées et tourner librement, qu'elles sont en bon état et ne sont affectées d'aucune condition susceptible de nuire au bon fonctionnement de l'outil. En cas de dommage, faire réparer l'outil électrique avant toute nouvelle utilisation. Bien des accidents sont causés par des outils mal entretenus.**

**f) Maintenir tout outil de coupe bien aiguisé et propre.** Les outils de coupe bien entretenus et affûtés sont moins susceptibles de se coincer et sont plus faciles à contrôler.

**g) Utiliser un outil électrique, ses accessoires, mèches, etc., conformément aux présentes directives et suivant la manière prévue pour ce type particulier d'outil électrique, en tenant compte des conditions de travail et du travail à effectuer.** L'utilisation d'un outil électrique pour toute opération autre que celle pour laquelle il a été conçu est dangereuse.

#### 5) RÉPARATION

**a) Faire entretenir les outils électriques par un réparateur qualifié en n'utilisant que des pièces de rechange identiques.** Cela permettra d'assurer l'intégrité de l'outil électrique et la sécurité de l'utilisateur.

### Directives de sécurité spécifiques supplémentaires pour les perceuses

- Utiliser les poignées auxiliaires fournies avec l'outil.** Une perte de maîtrise de l'outil peut entraîner des blessures corporelles.
- Tenir l'outil par sa surface de prise isolée dans une situation où l'outil de coupe peut entrer en contact avec un câblage caché ou avec son propre cordon d'alimentation.** Tout contact avec un fil « sous tension » mettra « sous tension » les pièces métalliques exposées de l'outil et provoquera un choc électrique chez l'opérateur de l'outil.
- Porter des lunettes de sécurité ou une autre protection oculaire.** Le martelage et la perforation peuvent projeter des fragments. Les particules projetées peuvent endommager les yeux irréversiblement.
- Maintenir les poignées sèches, propres, exemptes d'huile et de graisse. On recommande d'utiliser des gants de caoutchouc.** Cela permet de mieux maîtriser l'outil.
- Ne pas dépasser sa portée avec l'outil en fonctionnement.** Toujours demeurer dans une position stable et garder son équilibre. Au besoin, utiliser des plateformes et échafaudages bien installés et sécuritaires. TRAVAILLER EN TOUTE SÉCURITÉ.
- Ne pas faire fonctionner cet outil durant de longues périodes.** Les vibrations causées par le fonctionnement de cet outil peuvent provoquer des blessures permanentes aux doigts, aux mains et aux bras. Utiliser des gants pour amortir davantage les vibrations, prendre de fréquentes périodes de repos et limiter la durée quotidienne d'utilisation.

**▲ AVERTISSEMENT : TOUJOURS porter des lunettes de sécurité.** Les lunettes de vue ne constituent PAS des lunettes de sécurité. Utiliser également un masque facial ou anti-poussière si l'opération de découpe génère de la poussière. TOUJOURS PORTER UN ÉQUIPEMENT DE PROTECTION HOMOLOGUÉ :

- protection oculaire conforme à la norme ANSI Z87.1 (CAN/CSA Z94.3),
- protection auditive conforme à la norme ANSI S12.6 (S3.19) et
- protection des voies respiratoires conformes aux normes NIOSH/OSHA/MSHA.

**▲ AVERTISSEMENT : TOUJOURS porter une protection auditive appropriée conformément à la norme ANSI S12.6 (S3.19) lors de l'utilisation du produit.** Dans certaines conditions et selon la durée d'utilisation, le bruit émis par ce produit peut contribuer à une perte auditive.

**▲ AVERTISSEMENT : toujours utiliser une protection oculaire.** Tous les utilisateurs et personnes à proximité doivent porter une protection oculaire conforme à la norme ANSI Z87.1.

**▲ AVERTISSEMENT :** certaines poussières produites par les activités de ponçage, sciage, meulage, perçage et autres activités de construction peuvent contenir des produits chimiques pouvant causer le cancer, des anomalies congénitales ou d'autres problèmes liés aux fonctions reproductrices. Voici quelques exemples de ces produits chimiques :

- le plomb contenu dans les peintures à base de plomb;
- la silice cristalline de la brique, du ciment et d'autres produits de maçonnerie; et
- l'arsenic et chrome provenant de bois traité chimiquement.

Les risques reliés à l'exposition à ces poussières varient selon la fréquence à laquelle l'utilisateur travaille avec ce type de matériaux. Pour réduire votre exposition à ces produits chimiques : travailler dans un endroit bien ventilé et porter un équipement de sécurité approuvé comme un masque antipoussières conçu spécialement pour filtrer les particules microscopiques.

**Éviter le contact prolongé avec les poussières produites par les activités de ponçage, sciage, meulage, perçage et autres activités de construction. Porter des vêtements de protection et laver les parties du corps exposées avec une solution d'eau et de savon.** Laisser la poussière pénétrer dans la bouche, les yeux ou reposer sur la peau peut favoriser l'absorption de produits chimiques nocifs.

**▲ AVERTISSEMENT :** l'utilisation de cet outil peut produire et/ou disperser des poussières pouvant causer des problèmes respiratoires graves et permanents ou d'autres blessures. Toujours porter une protection des voies respiratoires approuvée par la NIOSH/OSHA lors d'une exposition à la poussière. Diriger les particules loin du visage et du corps.

L'étiquette apposée sur votre outil peut comprendre les symboles suivants. Les symboles et leurs définitions sont indiqués ci-après :

V.....volts	A.....ampères
Hz.....hertz	W.....watts
min.....minutes	~ .....courant alternatif
--- .....courant continu	n <sub>o</sub> .....vitesse à vide
Ⓢ .....Construction de classe I (mis à la terre)	Ⓢ .....borne de terre
Ⓢ .....Construction de classe II (à double isolation)	▲ .....symbole d'alerte à la sécurité
BPM.....coups par minute	.../min.....rotations ou alternance par minute

### CONSERVER CES DIRECTIVES

#### Moteur

Un moteur DEWALT actionne l'outil DEWALT. S'assurer que le bloc d'alimentation est compatible avec l'inscription de la plaque signalétique.

Une diminution de tension de plus de 10 % provoquera une perte de puissance et une surchauffe. Les outils DEWALT sont testés en usine; si cet outil ne fonctionne pas, vérifier l'alimentation électrique.

#### COMPOSANTS (fig. 1, 2)

**▲ AVERTISSEMENT :** ne jamais modifier l'outil électrique ou l'une de ses parties. Une telle pratique risque de provoquer des dommages matériels ou des blessures corporelles.

- Détente
- Levier inverseur
- Poignée latérale

#### UTILISATION PRÉVUE

La perceuse industrielle DW140 à poignée arrière est conçue pour le perçage professionnel dans différents chantiers. **NE PAS** utiliser dans des conditions humides ou en présence de liquides ou de gaz inflammables.

Ces perceuses industrielles à poignée arrière sont des outils électriques pour professionnels. **NE PAS** laisser les enfants toucher à l'outil. Les opérateurs inexpérimentés doivent être supervisés lorsqu'ils utilisent cet outil.

#### Détentes (fig. 1)

Enfoncer la détente (A) pour mettre l'outil en marche; la relâcher pour arrêter le moteur de l'outil. Pour commander le sens de rotation de la broche, un levier (B) est intégré et logé sur la détente. Pour le perçage (marche avant), ce levier devrait être incliné vers la gauche de l'outil (si on se place derrière la poignée); pour dégager les mèches et forets de trous serrés (marche arrière), inclinez le levier vers la droite de l'outil. Un mécanisme de fermeture intégré empêche la modification du sens de rotation avec la détente enfoncée. Après l'utilisation de la marche arrière, remettre le levier en marche avant.

## Poignée latérale (fig. 2)

**AVERTISSEMENT :** pour réduire le risque de blessures corporelles graves, éteindre l'outil et le débrancher avant d'effectuer tout réglage, ou d'enlever ou d'installer des accessoires.

**AVERTISSEMENT :** toujours utiliser l'outil avec la poignée latérale bien assemblée. Une mauvaise installation pourrait se solder par un glissement de la poignée latérale en cours de fonctionnement, puis une perte de maîtrise de l'outil. Tenir l'outil des deux mains pour obtenir une plus grande maîtrise de l'outil.

Une poignée latérale (C) est fournie, qui se visse dans les trous pratiqués dans le carter d'engrenages. En fonction du couple élevé déployé par cette perceuse en cours de fonctionnement, l'utilisation de la poignée latérale est primordiale. Visser la poignée latérale dans le trou du carter d'engrenages de la perceuse et serrer solidement.

## FONCTIONNEMENT

**AVERTISSEMENT :** pour réduire le risque de blessures corporelles graves, éteindre l'outil et le débrancher avant d'effectuer tout réglage, ou d'enlever ou d'installer des accessoires.

### Insertion de la mèche

- Ouvrir les mâchoires du mandrin en tournant la bague à la main, puis insérer bien la mèche jusqu'au fond du mandrin. Serrer la bague du mandrin à la main.
- Insérer la clé de mandrin dans les trois trous, à tour de rôle, et serrer en sens horaire. Pour éviter un glissement de la mèche, il est essentiel de serrer le mandrin par les trois trous.
- Pour dégager une mèche, tourner la clé de mandrin en sens antihoraire dans un seul des trous, puis desserrer le mandrin à la main.

### Perçage

- N'utiliser que des mèches bien aiguisées. Pour le BOIS, utiliser des forets à vrille, des forets à trois pointes, des forets à bois pour outil électrique ou des scies-cloches. Pour le MÉTAL, utiliser des forets hélicoïdaux en acier à coupe rapide ou des scies-cloches. Pour la MAÇONNERIE, par exemple les briques, le ciment, les blocs de béton, etc., utiliser des forets à pointe carburée.
  - Assurez-vous que le matériau à percer est ancré ou fixé fermement. En cas de perçage dans un matériau fin, utiliser un bloc en bois pour éviter tout dommage au matériau.
  - Toujours exercer une pression en ligne droite par rapport à la mèche. Exercer suffisamment de pression pour faire mordre la mèche mais ne pas trop appuyer pour éviter de bloquer le moteur ou de faire dévier la mèche.
  - Tenir la perceuse fermement afin de maîtriser la torsion de celle-ci. Utiliser la poignée latérale.
- MISE EN GARDE :** la perceuse est susceptible de se bloquer, en fonction d'une surcharge, produisant ainsi une torsion brusque. Il faut toujours prévoir l'éventualité d'un blocage. Empoigner fermement la perceuse pour maîtriser sa torsion et éviter ainsi une blessure.
- SI LA PERCEUSE SE BLOQUE**, le problème est généralement attribuable à une surcharge ou une mauvaise utilisation. **RELÂCHER IMMÉDIATEMENT LA DÉTENTE**, retirer la mèche du trou percé et déterminer la cause du blocage. **NE PAS APPUYER DE FAÇON RÉPÉTÉE SUR LA DÉTENTE POUR TENTER DE SUPPRIMER LE BLOCAGE, CAR CETTE PRATIQUE PEUT ENDOMMAGER LA PERCEUSE.**
  - Pour éviter les blocages lorsque vous effectuez un perçage, réduire la pression sur la mèche et percer en douceur la dernière partie du trou.
  - Faire tourner la perceuse pour retirer la mèche du trou percé. Cette pratique empêche la mèche de se coincer.

### PERÇAGE DANS LE MÉTAL

Utiliser un lubrifiant de coupe pour percer les métaux. Seuls la fonte et le laiton doivent être percés à sec. Les meilleurs lubrifiants sont l'huile de coupe sulfurisée, l'huile de lard, voire la graisse de bacon.

### PERÇAGE DANS LE BOIS

Il est possible d'utiliser les mêmes forets hélicoïdaux qui percent le métal. Ces forets peuvent surchauffer s'ils ne sont pas fréquemment retirés pour nettoyer les cannelures. Pour les trous de plus grand diamètre, utiliser des mèches à bois pour perceuse électrique. Les pièces susceptibles de provoquer des éclats de bois devraient être soutenues avec un bloc de bois.

### Mandrin

- Toujours insérer la queue de la mèche ou l'accessoire à fond, dans le mandrin. Cette insertion optimise la puissance de serrage et empêche les mâchoires du mandrin de gauchir. Lors de l'utilisation de mèches ou accessoires, à queue comportant trois méplats, positionner les mâchoires du mandrin au centre des méplats.
- Utiliser les trois trous du corps du mandrin pour serrer les mâchoires. Insérer la clé de mandrin dans chaque trou et serrer autant que possible. Pour dégager une mèche, utiliser la clé de mandrin dans un seul trou.
- Pour serrer ou desserrer les mâchoires du mandrin, utiliser exclusivement une clé de mandrin.

### Retrait du mandrin (fig. 3, 4, 5)

- Insérer la clé de mandrin dans le mandrin comme indiqué à la figure 4.
- Frapper d'un coup brusque la clé avec un maillet en bois ou un objet semblable dans le sens horaire. La clé desserrera la vis à l'intérieur du mandrin (Fig. 4).
- Ouvrir complètement les mâchoires du mandrin. Insérer un tournevis (ou une clé hexagonale de 5 mm (3/16 po)) (E) au besoin) dans la partie avant du mandrin, entre les mâchoires, sur la tête de la vis (F).
- Dévisser la vis en tournant dans le sens horaire (filetage inversé).
- Insérer la clé dans le mandrin comme indiqué à la figure 5.
- Frapper d'un coup brusque la clé avec un maillet en bois ou un objet semblable dans le sens antihoraire. La clé dégagera le mandrin de sorte qu'il soit possible de le dévisser à la main (Fig. 5).

### ENTRETIEN

**AVERTISSEMENT :** pour réduire le risque de blessures corporelles graves, éteindre l'outil et le débrancher avant d'effectuer tout réglage, ou d'enlever ou d'installer des accessoires.

### Nettoyage

**AVERTISSEMENT :** ne jamais utiliser de solvants ni d'autres produits chimiques puissants pour nettoyer les pièces non métalliques de l'outil. Ces produits chimiques peuvent affaiblir les matériaux de plastique utilisés dans ces pièces. Utiliser un chiffon humecté uniquement d'eau et de savon doux. Ne jamais laisser de liquide pénétrer dans l'outil et n'immerger aucune partie de l'outil dans un liquide.

### Balais de moteur

S'assurer que l'outil est débranché avant d'inspecter les balais. Il importe d'inspecter régulièrement les balais de charbon pour en vérifier l'usure. Pour l'inspection des balais, dévisser les capuchons d'inspection en plastique des balais (E, situés sur les côtés du carter de moteur), puis retirer le ressort et les ensembles de balais de l'outil. S'assurer que les balais sont propres et qu'ils glissent librement dans leurs guides. Les balais de charbon présentent divers symboles qui y sont estampillés et si le balai est usé jusqu'à la ligne la plus près du ressort, il faut le remplacer. Des ensembles de balais neufs sont disponibles auprès des centres de réparation agréés DEWALT.

### Graissage

L'outil a été parfaitement lubrifié avant de quitter l'usine. Dans deux à six mois, selon l'utilisation, apporter ou envoyer l'outil à un centre de réparation homologué DEWALT pour un nettoyage, une inspection et une lubrification complets.

Les outils utilisés constamment en production ou pour des travaux intensifs et exposés à la chaleur peuvent exiger une lubrification plus fréquente. Les outils « inutilisés » pendant une longue période doivent être lubrifiés de nouveau avant d'être réutilisés.

### Accessoires

**AVERTISSEMENT :** puisque les accessoires autres que ceux offerts par DEWALT n'ont pas été testés avec ce produit, leur utilisation pourrait s'avérer dangereuse. Pour réduire le risque

de blessures, utiliser exclusivement les accessoires DEWALT recommandés avec le présent produit.

Les accessoires recommandés pour votre outil peuvent être achetés auprès du distributeur local ou d'un centre de réparation agréé. Si vous avez besoin d'assistance pour trouver un accessoire pour votre outil, veuillez contacter DEWALT Industrial Tool Co., 701 East Joppa Road, Baltimore, MD 21286, États-Unis, composer le 1(800) 4-DEWALT (1-800-433-9258) ou visiter notre site Web à [www.dewalt.com](http://www.dewalt.com).

### Réparations

Pour assurer la SÉCURITÉ et la FIABILITÉ du produit, les réparations, l'entretien et les réglages (y compris l'inspection et le remplacement des balais) doivent être réalisés par un centre de réparation en usine DEWALT, un centre de réparation autorisé DEWALT ou par un personnel de réparation professionnel. Toujours utiliser des pièces de rechange identiques.

### Garantie limitée trois ans

DEWALT réparera gratuitement tous les problèmes dus à des défauts de matériau ou de fabrication pendant trois ans à compter de la date d'achat. Cette garantie ne couvre pas des défaillances de pièce dues à une usure normale ou à une mauvaise utilisation de l'outil. Pour plus de détails relatifs à la couverture de la garantie et aux réparations sous garantie, visiter le site Web [www.dewalt.com](http://www.dewalt.com) ou composer le 1-800-4-DEWALT (1-800-433-9258). Cette garantie ne s'applique pas aux accessoires ni aux dommages causés par des réparations réalisées ou tentées par des tiers. Cette garantie vous accorde des droits légaux spécifiques et il est possible que vous ayez d'autres droits qui varient d'un État ou d'une province à l'autre.

En plus de la garantie, les outils DEWALT sont couverts par notre :

#### SERVICE D'ENTRETIEN GRATUIT DE 1 AN

DEWALT entretiendra l'outil et remplacera les pièces usées par une utilisation normale et ce, gratuitement, à tout instant pendant la première année à compter de la date d'achat.

#### GARANTIE DE REMBOURSEMENT DE 90 JOURS

Si vous n'êtes pas entièrement satisfait des performances de votre outil électrique, laser ou de votre marteau-cloueur DEWALT pour quelque raison que ce soit, vous pouvez le retourner accompagné d'un reçu dans les 90 jours suivant la date d'achat et nous vous rembourserons entièrement - sans poser de questions.

**AMÉRIQUE LATINE :** cette garantie ne s'applique pas aux produits vendus en Amérique latine. Pour ceux-ci, veuillez consulter les informations relatives à la garantie spécifique présente dans l'emballage, appeler l'entreprise locale ou consulter le site Web pour les informations relatives à cette garantie.

**REPLACEMENT GRATUIT DES ÉTIQUETTES D'AVERTISSEMENT :** si les étiquettes d'avertissement deviennent illisibles ou sont manquantes, composer le 1-800-4-DEWALT pour en obtenir le remplacement gratuit.



### Definiciones: Normas de seguridad

Las siguientes definiciones describen el nivel de gravedad de cada palabra de señal. Lea el manual y preste atención a estos símbolos.

**PELIGRO:** indica una situación de peligro inminente que, si no se evita, provocará la muerte o lesiones graves.

**ADVERTENCIA:** indica una situación de peligro potencial que, si no se evita, podría provocar la muerte o lesiones graves.

**PRECAUCIÓN:** indica una situación de peligro potencial que, si no se evita, posiblemente provocaría lesiones leves o moderadas.

**PRECAUCIÓN:** cuando se utiliza sin el símbolo de alerta de seguridad indica una situación de peligro potencial que, si no se evita, puede provocar daños en la propiedad.

### Reglas de seguridad generales

**ADVERTENCIA!** Lea todas las instrucciones. El incumplimiento con alguna de las instrucciones enumeradas más abajo puede resultar en descarga eléctrica, incendio y/o lesiones corporales serias. El uso del término "máquina herramienta" en las advertencias que se encuentran a continuación, se refiere a su máquina herramienta ya sea operada por la red de suministro (con cable de alimentación) o a batería (inalámbrica).

### CONSERVE LAS INSTRUCCIONES

#### 1) SEGURIDAD EN EL ÁREA DE TRABAJO

- Mantenga su área de trabajo limpia y bien iluminada.** Los accidentes abundan en las áreas de trabajo desordenadas u oscuras.
- No opere máquinas herramienta en ambientes explosivos, tales como en presencia de líquidos, gases o polvos inflamables.** Las máquinas herramienta generan chispas que pueden inflamar el polvo o los gases.
- No use máquinas herramienta en presencia de niños u otras personas circunstantes.** Las distracciones pueden hacerle perder el control.

#### 2) SEGURIDAD ELÉCTRICA

- Los enchufes de las máquinas herramienta deben poder acoplarse a la toma de corriente. Jamás modifique el enchufe de ninguna manera. No emplee adaptadores de enchufe con máquinas herramienta conectadas a tierra.** Los enchufes no modificados y las tomas de corriente que correspondan al enchufe reducirán el riesgo de descarga eléctrica.
- Evite el contacto corporal con superficies conectadas a tierra, tales como tuberías, radiadores, cocinas y refrigeradores.** Existe un mayor riesgo de descarga eléctrica cuando su cuerpo está conectado a tierra.
- No exponga máquinas herramienta a condiciones lluviosas o húmedas.** Si entra agua a la máquina herramienta, aumentará el riesgo de descarga eléctrica.
- No abuse del cable. Jamás transporte, arrastre o desenchufe la máquina herramienta por el cable. Mantenga el cable alejado de fuentes de calor, aceite, bordes afilados o piezas en movimiento.** Los cables dañados o enredados aumentan el riesgo de descarga eléctrica. Cambie o repare aquellos cables que estén dañados. Verifique que su alargador esté en buenas condiciones. Utilice sólo alargadores de 3 hilos con enchufes de 3 patas, con conexión a tierra y tomas de corriente de 3 polos que acepten el enchufe de la herramienta.
- Cuando opere una máquina herramienta a la intemperie, use un alargador diseñado para uso a la intemperie.** El uso de un alargador diseñado para uso a la intemperie reduce el riesgo de descarga eléctrica. Cuando use un alargador, asegúrese de usar uno de un calibre suficiente como para cargar con la corriente que requerirá su producto. Un alargador de menor calibre causará una caída en el voltaje de la línea lo que resultará en pérdida de potencia y sobrecalentamiento. El siguiente cuadro muestra el tamaño correcto a utilizar, dependiendo del largo del cable y el amperaje nominal. En caso de duda, utilice el de mayor calibre. Mientras menor el número del calibre, mayor la capacidad del cable.

Calibre mínimo para los juegos de cables						
Voltios		Largo total del cable en pies				
120 V		0-25	26-50	51-100	101-150	
240 V		0-50	51-100	101-200	201-300	
Capacidad nominal en amperios		AWG				
Más que	No más que					
0	- 6	18	16	16	14	
6	- 10	18	16	14	12	
10	- 12	16	16	14	12	
12	- 16	14	12		No recomend	

### 3) SEGURIDAD PERSONAL

- Manténgase alerta, fíjese en lo que está haciendo y utilice su sentido común cuando opere una máquina herramienta. No utilice una máquina herramienta si está cansado o bajo la influencia de drogas, alcohol o medicamentos.** Sólo hace falta un momento de distracción durante la operación de máquinas herramienta para causar lesiones corporales serias.
- Use equipo de seguridad. Utilice siempre protección ocular.** El uso de un equipo de seguridad apropiado a las condiciones de trabajo, tal como máscaras antipolvo, calzado de seguridad anti-derrapante, cascos o protección auditiva, reducirá la posibilidad de sufrir lesiones corporales.
- Evite encender la máquina herramienta en forma accidental. Verifique que el conmutador esté apagado antes de enchufar la máquina herramienta.** El sujetar una máquina herramienta con el dedo en el conmutador o enchufar máquinas herramienta con el conmutador encendido se presta para que ocurran accidentes.
- Retire toda llave de ajuste antes de encender la máquina herramienta.** Si se deja alguna llave en una pieza giratoria de la máquina herramienta, podría provocar lesiones.
- No se sobreexienda. Manténgase siempre bien apoyado y equilibrado.** Esto permite tener un mayor control de la máquina herramienta en situaciones inesperadas.
- Vístase debidamente. No se ponga ropa suelta o joyas. Mantenga su pelo, ropa y guantes alejados de piezas móviles.** La ropa suelta, las joyas y el pelo largo pueden quedar atrapados en las piezas móviles. Los orificios de ventilación suelen cubrir piezas en movimiento, por lo que también se deben evitar.
- Si la máquina herramienta viene con el gún dispositivo de conexión para la extracción y colección de polvo, asegúrese que este sea debidamente conectado y utilizado.** El uso de estos dispositivos puede reducir los peligros relacionados a la generación de polvo.

### 4) USO Y CUIDADO DE LA MÁQUINA HERRAMIENTA

- No fuerce la máquina herramienta. Use la máquina herramienta correcta para su aplicación.** La máquina herramienta apropiada hará un trabajo mejor y más seguro si se usa de la forma para la cual fue diseñada.
- No use la máquina herramienta si el conmutador no puede encenderla y apagarla.** Cualquier máquina herramienta que no pueda ser controlada con el conmutador es peligrosa y debe ser reparada.
- Desenchufe la máquina herramienta de la toma de corriente y/o de la unidad de alimentación antes de ajustarla, cambiar de accesorio o guardarla.** Estas medidas de seguridad preventiva reducen el riesgo de poner en marcha la máquina herramienta accidentalmente.
- Guarde su máquina herramienta fuera del alcance de niños cuando no la esté usando y no permita que personas que no estén familiarizadas con la máquina herramienta o estas instrucciones la usen.** Las máquinas herramienta son peligrosas en manos de personas no capacitadas.
- Mantenga su máquina herramienta. Revise la máquina herramienta para verificar que no esté mal alineada, que sus piezas móviles no estén trabadas o rotas y que no exista otra condición que pudiera afectar su operación. Si está dañada, haga reparar la máquina herramienta antes de utilizarla.** Muchos accidentes son causados por usar máquinas herramienta que no han sido bien mantenidas.
- Mantenga máquinas herramienta que son usadas para cortar afiladas y limpias.** Las máquinas herramienta de corte debidamente mantenidas y afiladas tienen menos probabilidades de trabarse y son más fáciles de controlar.
- Use la máquina herramienta, sus accesorios, etc., en cumplimiento con estas instrucciones y en la manera para la cual la máquina herramienta fue diseñada, tomando en cuenta las condiciones de trabajo y el trabajo a realizar.** El uso de una máquina herramienta para operaciones fuera de aquellas para las que fue diseñada podría resultar en una situación peligrosa.

### 5) SERVICIO

- Haga reparar su máquina herramienta por un técnico de reparación calificado, utilizando sólo repuestos originales.** Esto garantizará la seguridad de la máquina herramienta.

## Instrucciones de seguridad adicionales específicas para taladros

- Use los mangos auxiliares que se suministran con la herramienta. La pérdida del control podría ocasionar lesiones personales.
- Sostenga la herramienta por las superficies de agarre aisladas cuando realice una operación en la que la herramienta de corte pueda tocar cables eléctricos ocultos o el cable de ésta. El contacto con un cable con corriente eléctrica hará que las partes expuestas de la herramienta tengan corriente y que el operador reciba una descarga eléctrica.
- Use lentes de seguridad u otra protección similar para los ojos. Al martillar o taladrar se producen astillas. Las partículas volátiles pueden provocar lesiones oculares permanentes.
- Mantenga los mangos secos, limpios y sin restos de aceite ni grasa. Se recomienda utilizar guantes de goma. Éstos permitirán controlar la herramienta de mejor manera.
- No se extralimite mientras hace funcionar la herramienta. Mantenga una postura de trabajo balanceada siempre. Cuando sea necesario, utilice plataformas y andamios seguros y colocados adecuadamente. TRABAJE CON SEGURIDAD
- No haga funcionar esta herramienta durante periodos prolongados. La vibración que produce el funcionamiento de esta herramienta puede provocar lesiones permanentes en dedos, manos y brazos. Use guantes para proveer amortiguación adicional, tome descansos frecuentes y limite el tiempo diario de uso.

**ADVERTENCIA:** Use SIEMPRE lentes de seguridad. Los anteojos de uso diario NO son lentes de seguridad. Utilice también máscaras faciales o para polvo si el corte produce polvillo. UTILICE SIEMPRE EQUIPOS DE SEGURIDAD CERTIFICADOS:

- protección para los ojos ANSI Z87.1(CAN/CSA Z94.3),
- protección auditiva ANSI S12.6 (S3.19),
- protección respiratoria según las normas NIOSH/OSHA/MSHA.

**ADVERTENCIA:** Durante el uso, use siempre protección auditiva adecuada que cumpla con la norma ANSI S12.6 (S3.19). Bajo ciertas circunstancias y según el período de uso, el ruido producido por este producto puede contribuir a la pérdida de audición.

**ADVERTENCIA:** Utilice siempre protección para los ojos. Todos los usuarios y espectadores deben utilizar protección para los ojos conforme con las normas ANSI Z87.1.

**ADVERTENCIA:** Algunas partículas originadas al lijar, aserrar, amolar, taladrar y realizar otras actividades de construcción contienen productos químicos que producen cáncer, defectos de nacimiento y otros problemas reproductivos. Algunos ejemplos de estos productos químicos son:

- el plomo de las pinturas de base plomo,
- la sílice cristalina de ladrillos, cemento y otros productos de mampostería, y
- el arsénico y el cromo de la madera con tratamiento químico.

El riesgo derivado de estas exposiciones varía según la frecuencia con la que se realice este tipo de trabajo. Para reducir la exposición a estos productos químicos, se recomienda trabajar en áreas bien ventiladas y usar equipos de seguridad aprobados, como las máscaras para polvo especialmente diseñadas para filtrar las partículas microscópicas.

- Evite el contacto prolongado con las partículas de polvo originadas al lijar, aserrar, esmerilar, taladrar y realizar demás actividades de la construcción. Use indumentaria

protectora y lave las áreas expuestas con agua y jabón. Evite que el polvo entre en la boca y en los ojos o se deposite en la piel, para impedir la absorción de productos químicos nocivos.

**ADVERTENCIA:** El uso de esta herramienta puede generar o dispersar partículas de polvo, que pueden causar lesiones respiratorias permanentes y graves u otras lesiones. Use siempre protección respiratoria apropiada para la exposición al polvo aprobada por el Instituto Nacional de Salud y Seguridad Ocupacional de EE.UU. y la Administración de Salud y Seguridad Ocupacional de EE.UU. (NIOSH y OSHA respectivamente, por sus siglas en inglés). Aleje la cara y el cuerpo del contacto con las partículas.

- La etiqueta de su herramienta puede incluir los siguientes símbolos. Los símbolos y sus definiciones son los siguientes:

V..... voltios	A..... amperios
Hz..... hertz	W..... vatios
min..... minutos	~ ..... corriente alterna
== ..... corriente directa	n <sub>0</sub> ..... velocidad sin carga
⚠ ..... Construcción Clase I (con conexión a tierra)	⊕ ..... terminal a tierra
⚠ ..... Construcción Clase II (con aislamiento doble)	▲ ..... símbolo de alerta de seguridad
BPM..... golpes por minuto	.../min ..... revoluciones o reciprocidad por minuto

## CONSERVE LAS INSTRUCCIONES

### Motor

Su herramienta DEWALT está alimentada por un motor DEWALT. Asegúrese de que la fuente de energía concuerde con lo que se indica en la placa.

Un descenso en el voltaje de más del 10% producirá una pérdida de potencia y sobrecalentamiento. Todas las herramientas DEWALT son probadas en fábrica; si esta herramienta no funciona, verifique el suministro eléctrico.

### COMPONENTES (Fig. 1, 2)

**ADVERTENCIA:** Nunca modifique la herramienta eléctrica ni ninguna pieza de ésta. Podría ocasionar un daño o una lesión personal.

- Interruptor disparador
- Palanca de cambio de marcha
- Mango lateral

### USO PREVISTO

El taladro con mango DW140 para trabajos pesados está diseñado para el taladrado profesional en diferentes áreas de trabajo (por ejemplo, sitios de construcción). **NO UTILICE** la herramienta en un entorno húmedo o en presencia de líquidos o gases inflamables.

Estos taladros con mango para trabajos pesados son herramientas eléctricas profesionales. **NO** permita que los niños tengan contacto con la herramienta. Se debe supervisar a los operadores inexpertos que utilizan esta herramienta.

### Interruptores (Fig. 1)

Para ENCENDER la herramienta, pulse el interruptor disparador (A). Para APAGARLA, libere el interruptor disparador. Para controlar la dirección de rotación del eje, localice la palanca (B), integrada en la parte superior del interruptor disparador. Para taladrar (posición de avance), se debe inclinar esta palanca hacia la izquierda de la herramienta (desde detrás del mango); para facilitar la extracción de las brocas de orificios estrechos (posición de reversa), incline la palanca hacia la derecha de la herramienta. Un bloqueo mecánico incorporado evita que la herramienta cambie de dirección a menos que se libere el interruptor disparador. Después de cualquier movimiento de reversa, regrese la palanca hacia la posición de avance.

### Mango lateral (Fig. 2)

**ADVERTENCIA:** Para reducir el riesgo de lesiones personales graves, apague la herramienta y desconéctela de la fuente de alimentación antes de realizar ajustes o de retirar o instalar cualquier dispositivo o accesorio.

**ADVERTENCIA:** Opere siempre la herramienta con el mango lateral montado correctamente. Si no lo hace, el mango lateral se le puede resbalar durante la operación de la herramienta y podría perder el control. Sostenga la herramienta con ambas manos para máximo control.

Esta herramienta viene con un mango lateral (C) que se enrosca en los orificios de la caja de engranajes. Dada la extremadamente elevada torsión de este taladro, se debe usar un mango lateral al operarlo. Atomille el mango lateral en el orificio de la caja de engranajes del taladro y ajústelo bien.

### FUNCIONAMIENTO

**ADVERTENCIA:** Para reducir el riesgo de lesiones personales graves, apague la herramienta y desconéctela de la fuente de alimentación antes de realizar ajustes o de retirar o instalar cualquier dispositivo o accesorio.

### Inserción de brocas

- Abra las mordazas del portabrocas girando el anillo con los dedos e inserte la broca completamente en el portabrocas. Ajuste el anillo del portabrocas en forma manual.
- Coloque la llave para portabrocas en cada uno de los tres orificios y ajuste en el sentido de las agujas del reloj. Es importante ajustar el portabrocas con los tres orificios para evitar el deslizamiento.
- Para liberar la broca, gire la llave para portabrocas en sentido contrario a las agujas del reloj en uno solo de los orificios y luego afloje el portabrocas manualmente.

### Taladrado

- Use solamente brocas para taladro afiladas. Para MADERA, utilice brocas helicoidales, brocas de pala, brocas salomónicas, o sierras perforadoras. Para METAL, utilice brocas helicoidales de acero de alta velocidad o sierras perforadoras. Para MAMPOSTERÍA, tal como ladrillos, cemento, bloques de hormigón, etc., utilice brocas con puntas de carburo.
- Asegúrese de sujetar o fijar firmemente el material a taladrar. Si va a taladrar un material delgado, utilice un bloque de madera “de respaldo” para evitar dañarlo.
- Aplice siempre presión en línea recta con la broca. Utilice la presión suficiente para mantener la broca funcionando, pero no tanta como para ahogar el motor o ladear la broca.
- Sostenga firmemente el taladro para controlar la torsión del taladro. Utilice el mango lateral.

**PRECAUCIÓN:** el taladro podría atascarse causando un giro repentino. Siempre espere el atascamiento. Tome del mango firmemente para controlar la acción de giro y evitar lesionarse.

- SI EL TALADRO SE ATASCA**, probablemente se deba a una sobrecarga o al uso inadecuado de la herramienta. **SUELTE EL DISPARADOR INMEDIATAMENTE**, retire la broca de la pieza de trabajo, y determine la causa del atascamiento. **NO OPRIMA EL DISPARADOR DE APAGADO PARA INTENTAR DESTRABAR EL TALADRO YA QUE PODRÍA DAÑARLO.**
- Para minimizar los atascamientos en la perforación del material, reduzca la presión y deje ir suavemente la broca hacia el final del orificio.
- Mantenga el motor en funcionamiento cuando retire la broca de un orificio taladrado. Esto ayudará a prevenir atascamientos.

### TALADRADO EN METALES

Utilice un lubricante de corte cuando taladre metales. Las excepciones son el bronce y el hierro fundido que deben taladrarse en seco. Los lubricantes de corte que mejor funcionan son el aceite de corte sulfurizado o el aceite de grasa de cerdo; también puede utilizarse grasa de tocino.

### TALADRADO EN MADERA

Los orificios en madera se pueden realizar con las mismas brocas helicoidales que se utilizan para el metal. Estas brocas pueden sobrecalentarse a menos que se retiren con frecuencia para limpiar las virutas de las ranuras. Para perforar agujeros más grandes, utilice brocas para madera diseñadas para taladros eléctricos. Las piezas de trabajo que pueden astillarse deben respaldarse con un bloque de madera.

## Portabrocas

- Siempre inserte completamente el vástago de la broca o del accesorio en el portabrocas. Esto permite un poder de sujeción completo y evita que las mordazas se dañen. Cuando utilice brocas o accesorios con 3 "plano" en el vástago, las mordazas deberán quedar al centro de estos "planos".
- Utilice los tres orificios del portabrocas para apretar las mordazas. Inserte la llave en cada uno de los orificios y apriete tanto como le sea posible. Para sacar la broca, utilice la llave en uno solo de los orificios.
- Utilice únicamente la llave del portabrocas para apretar o aflojar las mordazas.

## Desmontaje del portabrocas (Figs. 3, 4, 5)

**ADVERTENCIA:** Para reducir el riesgo de lesiones personales graves, apague la herramienta y desconéctela de la fuente de alimentación antes de realizar ajustes o de retirar o instalar cualquier dispositivo o accesorio.

- Coloque la llave para portabrocas en el portabrocas como se muestra en la Figura 4.
- Con un mazo de madera o un objeto similar, golpee la llave con fuerza en el sentido de las agujas del reloj. De esta forma, se aflojará el tornillo en el interior del portabrocas (Fig. 4).
- Abra las mordazas del portabrocas por completo. Inserte el destornillador (o llave hexagonal de 5 mm [3/16"] (E), si es necesario) en la parte frontal del portabrocas, entre las mordazas, para calzar la cabeza del tornillo (F).
- Retire el tornillo rotándolo en el sentido de las agujas del reloj (rosca de mano izquierda).
- Coloque la llave para portabrocas en el portabrocas como se muestra en la Figura 5.
- Con un mazo de madera o un objeto similar, golpee la llave con fuerza en el sentido contrario a las agujas del reloj. De esta manera, aflojará el portabrocas y podrá desenroscarlo manualmente (Fig. 5).

## MANTENIMIENTO

**ADVERTENCIA:** Para reducir el riesgo de lesiones personales graves, apague la herramienta y desconéctela de la fuente de alimentación antes de realizar ajustes o de retirar o instalar cualquier dispositivo o accesorio.

## Limpieza

**ADVERTENCIA:** Nunca utilice solventes ni otros químicos abrasivos para limpiar las piezas no metálicas de la herramienta. Estos productos químicos pueden debilitar los materiales plásticos utilizados en estas piezas. Utilice un paño humedecido sólo con agua y jabón neutro. Nunca permita que penetre líquido dentro de la herramienta ni sumerja ninguna de las piezas en un líquido.

## Cepillos del motor

Asegúrese de que la herramienta esté desenchufada antes de inspeccionar los cepillos. Los cepillos deben ser examinados con frecuencia para controlar su desgaste. Para inspeccionar los cepillos, desatornille las tapas plásticas para inspección de cepillos (E, ubicadas en los lados de la carcasa del motor) y retire los montajes de resorte y cepillo de la herramienta. Mantenga los cepillos limpios de manera que puedan deslizarse cómodamente en sus guías. Los cepillos de carbono tienen diferentes símbolos estampados y, si el cepillo presenta un desgaste en la línea cercana al resorte, deberá reemplazarlo. Nuevos montajes de cepillos están disponibles en los centros de mantenimiento DEWALT.

## Lubricación

Su herramienta fue adecuadamente lubricada antes de salir de fábrica. En el plazo de entre dos a seis meses, según el uso, lleve o envíe su herramienta a un local de mantenimiento certificado DEWALT para realizar una limpieza e inspección completas y una nueva lubricación.

Las herramientas utilizadas constantemente en producción o trabajos pesados y aquéllas expuestas al calor pueden necesitar una lubricación más frecuente. Las herramientas "sin mantenimiento" durante períodos prolongados deben volver a lubricarse antes de utilizarlas nuevamente.

## Accesorios

**ADVERTENCIA:** Debido a que no se han probado con este producto otros accesorios que no sean los que ofrece DEWALT, el uso de dichos accesorios con esta herramienta podría ser peligroso. Para reducir el riesgo de lesiones, con este producto deben usarse sólo los accesorios recomendados por DEWALT.

Los accesorios que se recomiendan para la herramienta están disponibles para la compra en su distribuidor local o en el centro de mantenimiento autorizado. Si necesita ayuda para localizar algún accesorio para su herramienta, comuníquese con DEWALT Industrial Tool Co., 701 East Joppa Road, Baltimore, MD 21286, llame al 1-800-4-DEWALT (1-800-433-9258) o visite nuestro sitio Web [www.dewalt.com](http://www.dewalt.com).

## Reparaciones

Para asegurar la SEGURIDAD y la CONFIABILIDAD del producto, las reparaciones, el mantenimiento y los ajustes (incluyendo revisión y cambio de los carbones) deben ser realizados por un centro de servicio de fábrica DEWALT, un centro de servicio autorizado DEWALT u otro personal de mantenimiento calificado. Utilice siempre piezas de repuesto idénticas.

**PARA REPARACIÓN Y SERVICIO DE SUS HERRAMIENTAS ELÉCTRICAS, FAVOR DE DIRIGIRSE AL CENTRO DE SERVICIO MÁS CERCANO**

<b>CULIACAN, SIN</b> Av. Nicolás Bravo #1063 Sur - Col. Industrial Bravo	(667) 7 12 42 11
<b>GUADALAJARA, JAL</b> Av. La Paz #1779 - Col. Americana Sector Juárez	(33) 3825 6978
<b>MEXICO, D.F.</b> Eje Central Lázaro Cárdenas No. 18 Local D, Col. Obrera	(55) 5588 9377
<b>MERIDA, YUC</b> Calle 63 #459-A - Col. Centro	(999) 928 5038
<b>MONTERREY, N.L.</b> Av. Francisco I. Madero No.831 - Col. Centro	(81) 8375 2313
<b>PUEBLA, PUE</b> 17 Norte #205 - Col. Centro	(222) 246 3714
<b>QUERETARO, QRO</b> Av. Madero 139 Pte. - Col. Centro	(442) 214 1660
<b>SAN LUIS POTOSI, SLP</b> Av. Universidad 1525 - Col. San Luis	(444) 814 2383
<b>TORREON, COAH</b> Blvd. Independencia, 96 Pte. - Col. Centro	(871) 716 5265
<b>VERACRUZ, VER</b> Prolongación Díaz Mirón #4280 - Col. Remes	(229) 921 7016
<b>VILLAHERMOSA, TAB</b> Constitución 516-A - Col. Centro	(993) 312 5111

**PARA OTRAS LOCALIDADES LLAME AL: (55) 5326 7100**

## Póliza de Garantía

IDENTIFICACIÓN DEL PRODUCTO:

Sello o firma del Distribuidor.

Nombre del producto: \_\_\_\_\_ Mod./Cat.: \_\_\_\_\_

Marca: \_\_\_\_\_ Núm. de serie: \_\_\_\_\_

(Datos para ser llenados por el distribuidor)

Fecha de compra y/o entrega del producto: \_\_\_\_\_

Nombre y domicilio del distribuidor donde se adquirió el producto: \_\_\_\_\_

Este producto está garantizado por un año a partir de la fecha de entrega, contra cualquier defecto en su funcionamiento, así como en materiales y mano de obra empleados para su fabricación. Nuestra garantía incluye la reparación o reposición del producto y/o componentes sin cargo alguno para el cliente, incluyendo mano de obra, así como los gastos de transportación razonablemente erogados derivados del cumplimiento de este certificado.

Para hacer efectiva esta garantía deberá presentar su herramienta y esta póliza sellada por el establecimiento comercial donde se adquirió el producto, de no contar con ésta, bastará la factura de compra.

## EXCEPCIONES.

Esta garantía no será válida en los siguientes casos:

- Cuando el producto se hubiese utilizado en condiciones distintas a las normales;
- Cuando el producto no hubiese sido operado de acuerdo con el instructivo de uso que se acompaña;
- Cuando el producto hubiese sido alterado o reparado por personas distintas a las enlistadas al final de este certificado.

Anexo encontrará una relación de sucursales de servicio de fábrica, centros de servicio autorizados y franquiciados en la República Mexicana, donde podrá hacer efectiva su garantía y adquirir partes, refacciones y accesorios originales.

## Garantía limitada de tres años

DEWALT reparará sin cargo cualquier defecto ocasionado por materiales defectuosos o mano de obra, durante tres años a partir de la fecha de compra. Esta garantía no cubre fallas en las piezas que resulten del desgaste normal de la herramienta o de su utilización inadecuada. Para obtener información detallada sobre la cobertura de la garantía y sobre reparaciones, visite nuestra página Web [www.dewalt.com](http://www.dewalt.com) o llame al 1-800-4-DEWALT (1-800-433-9258). Esta garantía no se extiende a los accesorios o a los daños causados por terceros al intentar realizar reparaciones. Esta garantía le concede derechos legales específicos; usted goza también de otros derechos que varían según el estado o provincia.

Además de la garantía, las herramientas DEWALT están cubiertas por nuestro:

### SERVICIO GRATUITO DE 1 AÑO

DEWALT realizará el mantenimiento de la herramienta y reemplazará las piezas gastadas tras el uso normal, sin costo alguno, en cualquier momento durante el primer año después de la compra.

### GARANTÍA DE REEMBOLSO DE DINERO DE 90 DÍAS

Si por alguna razón no estuviera plenamente satisfecho con el rendimiento de la herramienta eléctrica, el láser o la clavadora DEWALT, puede devolver el producto dentro de los 90 días siguientes a la fecha de compra acompañado del recibo de compra. De esta manera, se le reintegrará el importe total del producto sin formularle pregunta alguna.

**AMÉRICA LATINA:** Esta garantía no se aplica a los productos que se venden en América Latina. Para los productos que se venden en América Latina, debe consultar la información de la garantía específica del país que viene en el empaque, llamar a la compañía local o visitar el sitio Web a fin de obtener esa información.

**REEMPLAZO GRATUITO DE LAS ETIQUETAS DE ADVERTENCIA:** si sus etiquetas de advertencia se toman ilegibles o faltan, llame al 1-800-4-DEWALT para que se las reemplacen gratuitamente.



### Especificaciones

<b>DW140</b>	
Tensión de alimentación	120 V AC~
Consumo de corriente	7,0 A
Potencia nominal	580 W
Frecuencia de operación	60 Hz
Rotación sin carga:	600 rpm

IMPORTADOR: DEWALT S.A. DE C.V.  
BOSQUES DE CIDROS ACCESO RADIATAS NO. 42  
COL. BOSQUES DE LAS LOMAS, 3A. SECCIÓN, CP 05120  
DELEGACIÓN CUAJIMALPA, MÉXICO, D.F.  
TEL. 5 326 7100  
R.F.C.: BDE810626-1W7

Para servicio y ventas consulte  
"HERRAMIENTAS ELÉCTRICAS"  
en la sección amarilla.

