

# RF260BEAESR

26 cu. ft. French Door Refrigerator with Filtered Ice Maker

## Features

- Large Capacity – 26 cu. ft.\*
- Additional Filtered Ice Maker in the Freezer
- High-Efficiency LED Lighting
- Twin Cooling Plus™
- ENERGY STAR® Compliant
- CoolSelect Pantry™ with Temperature Control
- Power Freeze and Power Cool Options
- Two Humidity-Controlled Crispers
- Tempered Glass Spill-Proof Shelves
- Gallon Door Bins
- EZ-Open Handle™ on Freezer Door
- Auto Pull-Out Upper Freezer Drawer

\*25.5 cu. ft. measured as per Department of Energy.

## Convenience

- Cool Tight Door
- Door Alarm
- Water Filter Indicator
- Removable Ice Caddy



ENERGY STAR® rated:  
CEE Tier 2: More Efficient  
(25% more efficient than Federal Standard)  
620 kWh/yr



French Door Design



CoolSelect Pantry™ with Temperature Control

## Available Colors



Stainless Steel  
(shown)



White



Black



Stainless Platinum

## Signature Features

### COOLSELECT PANTRY™

- Provides additional temperature control for your food storage needs with Quick Cool, Thaw and Soft Freeze, Chill Mode, and Cool Mode options.

### TWIN COOLING PLUS™

- Refrigerator air is kept at higher, near-commercial grade humidity levels to keep perishable fruits and vegetables fresher longer.
- Drier freezer air means less freezer burn for better-tasting frozen foods.

### HIGH-EFFICIENCY LED LIGHTING

- High-efficiency design beautifully lights up the interior so you're able to quickly spot what you want.
- Sleek design saves more space than traditional incandescent light bulbs.



Ranked **"Highest in Customer Satisfaction with Refrigerators"**  
by J.D. Power and Associates.

**SAMSUNG**

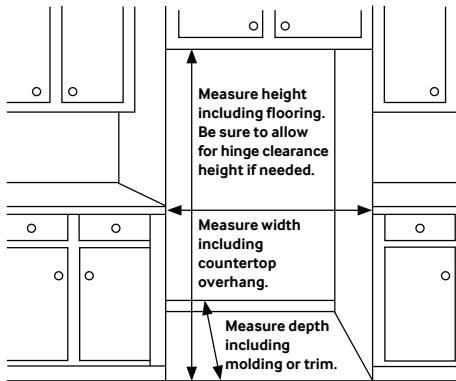
# RF260BEAESR

26 cu. ft. French Door Refrigerator with Filtered Ice Maker

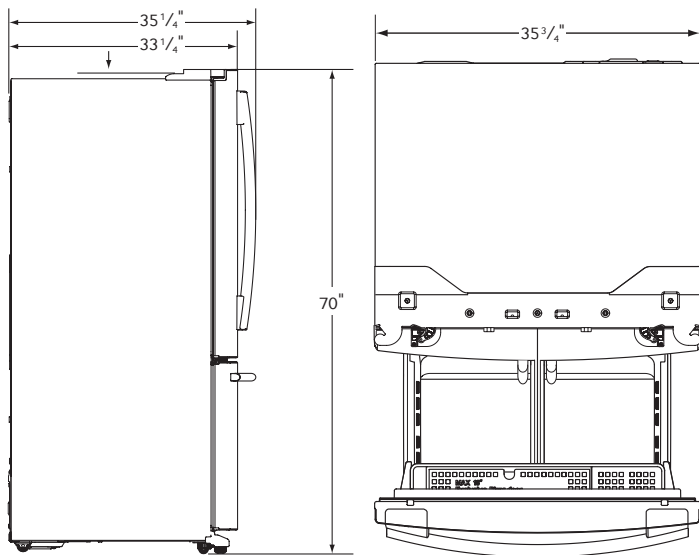
## Installing Your Refrigerator

1. Measure the height, width and depth of the opening, making sure to include baseboards, molding tile, countertop overhang, etc. Check to be sure there is enough room to open the door (consider walls, islands or other obstacles when measuring).
2. Refer to illustration below to determine dimensions.
3. Allow 2" of clearance on hinge side of refrigerator when installing next to a wall where handle may make contact.
4. Allow 1" minimum clearance at rear for proper air circulation and water/electrical connections. Allow a 3/8" minimum clearance at sides and top for ease of installation.
5. Ensure each door and entry way in the home is wide enough for the refrigerator to be moved through easily.

Please note: The following dimension and cutout information is for planning purposes only. For complete installation details consult manual packed with product, or download manual on-line at [samsung.com](http://samsung.com).



## Dimensions



## Total Capacity: 25.5 cu. ft.

### Refrigerator: 17.5 cu. ft.

- CoolSelect Pantry™ with Temperature Control
- 2 Humidity-Controlled Crispers
- 5 Tempered Glass Spill-Proof Shelves
- 6 Clear Door Bins
  - Right Door: 3 Gallon Bins
  - Left Door: 3 Gallon Bins
- High-Efficiency LED Lighting

### Freezer: 8.0 cu. ft.

- EZ-Open Handle™
- 1 Large Opaque Bin with Divider
- Auto Pull-Out Upper Drawer
- Filtered Ice Maker (Cubed)
- High-Efficiency LED Lighting

## Accessories

Water Filter: HAF-CIN

## Warranty

One (1) Year Parts and Labor on Refrigerator  
Five (5) Years Parts and Labor on Sealed Refrigeration System Only\*  
Ten (10) Years Parts and Five (5) Years Labor on Digital Inverter Compressor

\*Compressor, evaporator, condenser, drier, connecting tubing

## Product Dimensions & Weight

Dimensions (WxHxD with hinges, handles and doors):  
35 3/4" x 70" x 35 1/4"

Dimensions (WxHxD without hinges and door):  
35 3/4" x 68 1/2" x 29 1/2"

Dimensions (WxHxD with hinge and door, no handle):  
35 3/4" x 70" x 33 1/4"

Weight: 289.9 lbs.

## Shipping Dimensions & Weight (WxHxD)

Dimensions: 38 5/8" x 75 3/4" x 36 1/4"

Weight: 316.3 lbs.

Color	Model #	UPC Code
Stainless Steel	RF260BEAESR	036725590175
White	RF260BEAEWW	036725590205
Black	RF260BEAEBC	036725590199
Stainless Platinum	RF260BEAESP	036725590182

**SAMSUNG**

Samsung received the highest numerical score for French door refrigerators in a tie in the proprietary J.D. Power 2014 Kitchen Appliance Study™. Study based on 15,380 total responses measuring 10 French door refrigerators brands and measures opinions of consumers about their new appliance purchased in the past 24 months. Proprietary study results are based on experiences and perceptions of consumers surveyed in January-March 2014. Your experiences may vary. Visit [jdpower.com](http://jdpower.com).

Actual color may vary. Design, specifications, and color availability are subject to change without notice. Non-metric weights and measurements are approximate.

©2014 Samsung Electronics America, Inc. 85 Challenger Road, Ridgefield Park, NJ 07660. Tel: 800-SAMSUNG. [samsung.com](http://samsung.com). Samsung is a registered trademark of Samsung Electronics Co. Ltd.