



03167MF Left Hand Door & Drain
03167MFH (optional)



03168MF Right Hand Door & Drain
03168MFH (optional)

Specifications

Actual Size: 27.5" W x 52.25" L x 38" H
Shipping Size: 31" W x 57" L x 47" H
Shipping Weight: 240 lbs.
Net Weight: 140 lbs.
Water Capacity:
70 gal. US (unoccupied)
35-55 gal. US (occupied)

Options

- Left or Right Hand Door/Drain
- Heated Seat and Backrest

Included Features

Tub Shell – Acrylic Tub Shell:

- High quality cast acrylic grade A
 - Excellent color uniformity
 - High gloss white finish
 - 5 mm cast acrylic sheet
 - Fiberglass reinforced
1. Stainless Steel Frame
 2. Low threshold step in 8" with the option to lower to 5"
 3. Seat Width: 19.75"
 4. Eight (8) adjustable heavy duty leveling legs
 5. Stainless steel and tempered glass door, door frame and door seal gasket
 6. Removable door for easy cleaning
 7. Deck mount safety grab bar
 8. Removable rubber back support (white)
 9. Unique removable swivel tray (Patented)
 10. MicroBubble Therapy System
 - 1HP Pump (10 amp)
 - Pressure Vessel
 - Air Switch
 - Agitator Valve
 11. Two (2) front, one (1) toe kick and one (1) side removable access panels
 12. Wall extension kit to fit in standard 60" opening (extends to 59")

13. Huntington Brass Fast Fill Faucet Set

- Hot Lever Handle
- Cold Lever Handle
- Diverter + Handle
- Hand Shower
- Spout with Shank (extends to 59")

Plumbing

- Two (2) x 2" floor drains with 2 overflows and 2 ADA compliant stainless steel cable operated openers with extension handles
- Drainage time +/- 80 seconds to overflow
- Two (2) PVC 2" drain elbows with 2" opening

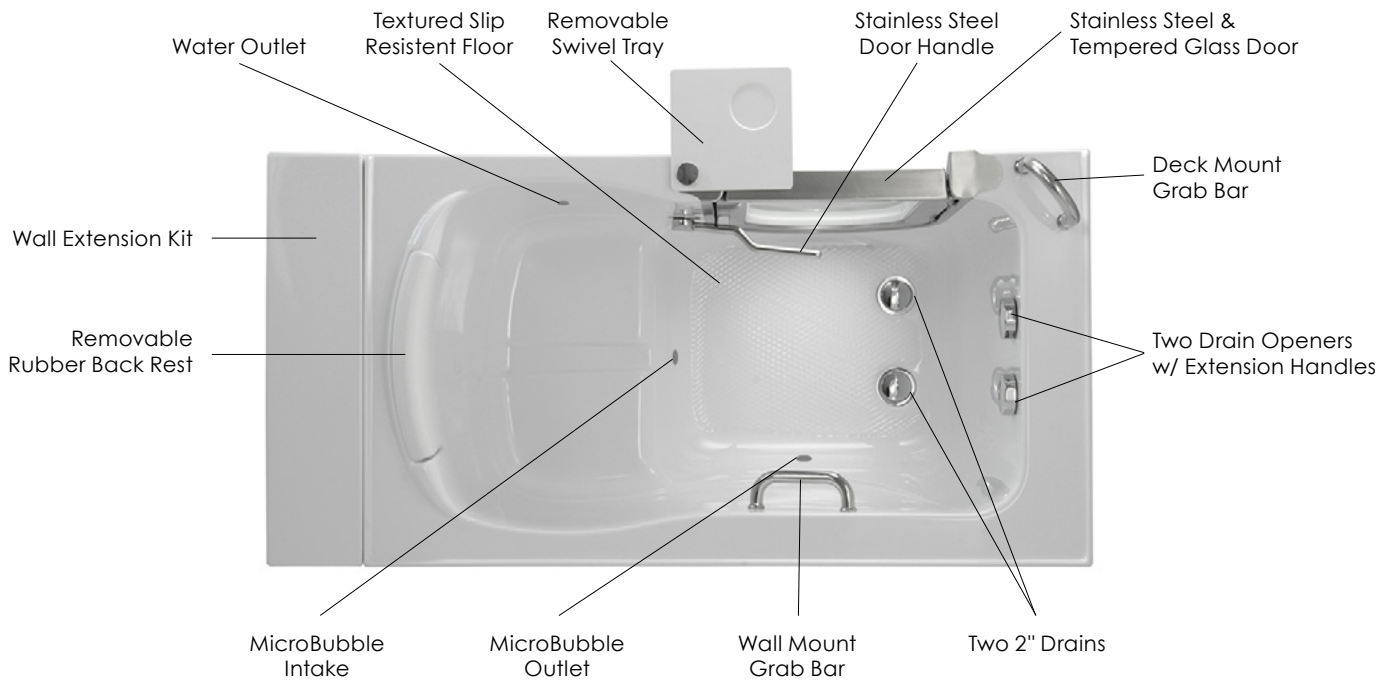
Warranty

- Lifetime limited warranty on frame, door, door seal gasket and acrylic walk in tub shell
- Five (5) Year parts warranty*
- One (1) Year MicroBubble parts warranty in commercial application

*For more information please visit www.ellasbubbles.com

Petite MicroBubble Walk In Bathtub

*No faucet option shown



Panel On



Panel Off

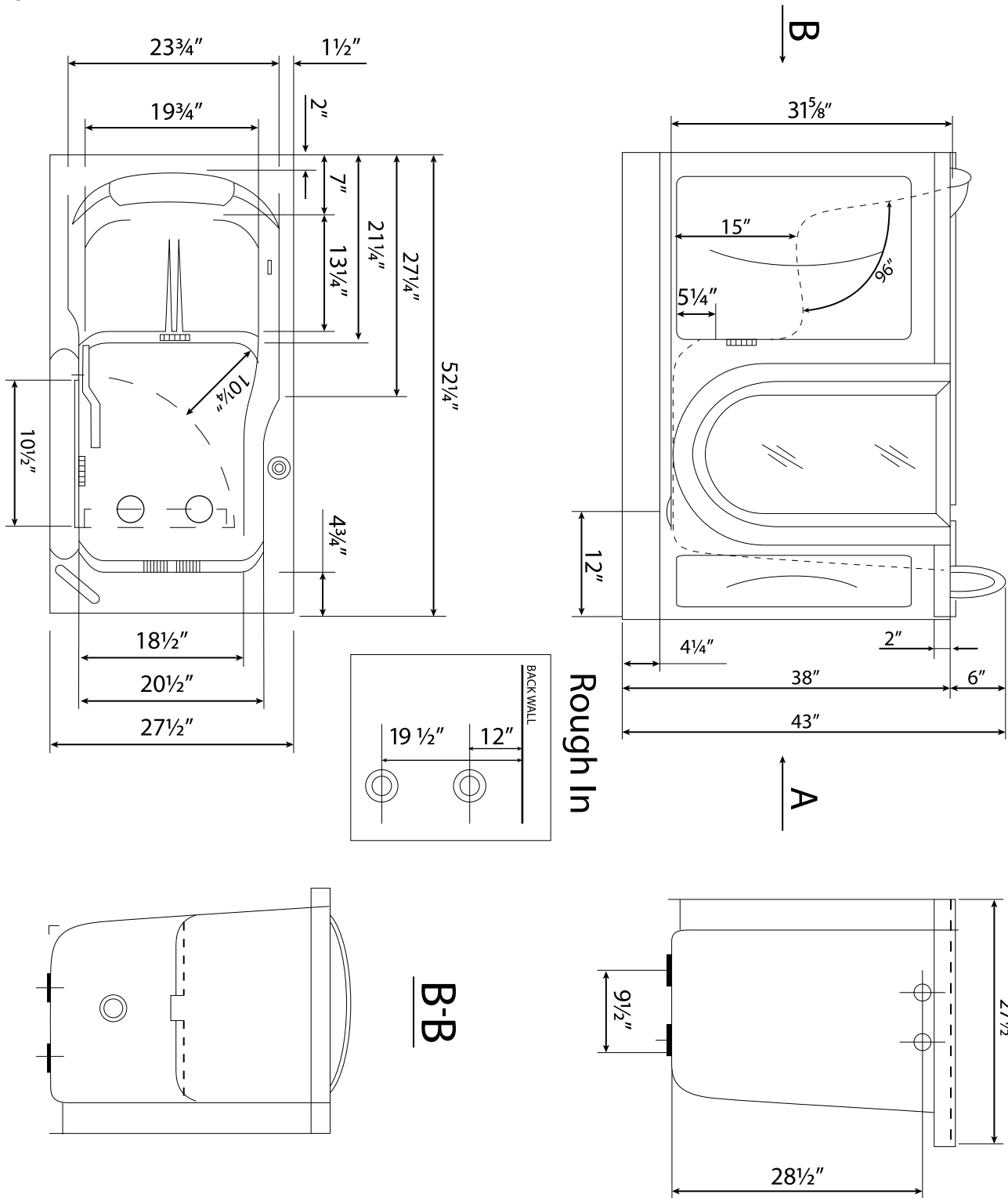


Lowered Threshold



Baseboard On (not supplied)

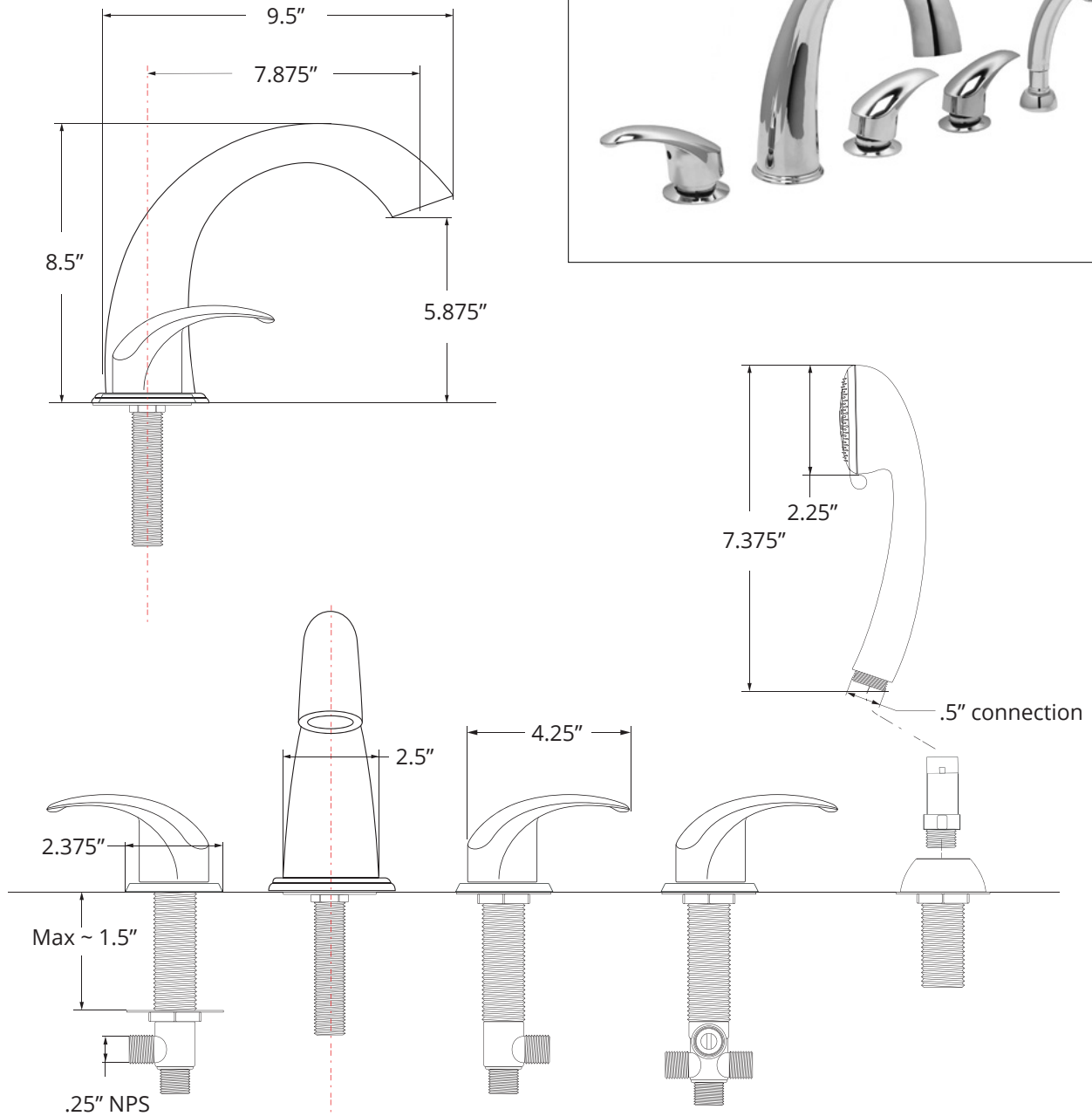
*Right hand door and drain shown



Disclaimer:

In an effort to continually improve our product, specifications and configurations are subject to change without notice. Before ordering or installing, consider future access to essential equipment.

Huntington Brass Fast Fill Faucet Set



Heated Seat and Backrest

Specifications

Voltage:
Input - 120V
Wattage:
Back - 47.4W
Seat - 44.6W
Total - 92W

Components:

- (1) Controller Box
- (1) LED Keypad
- (2) Seat Heater
- (2) Backrest Heater

