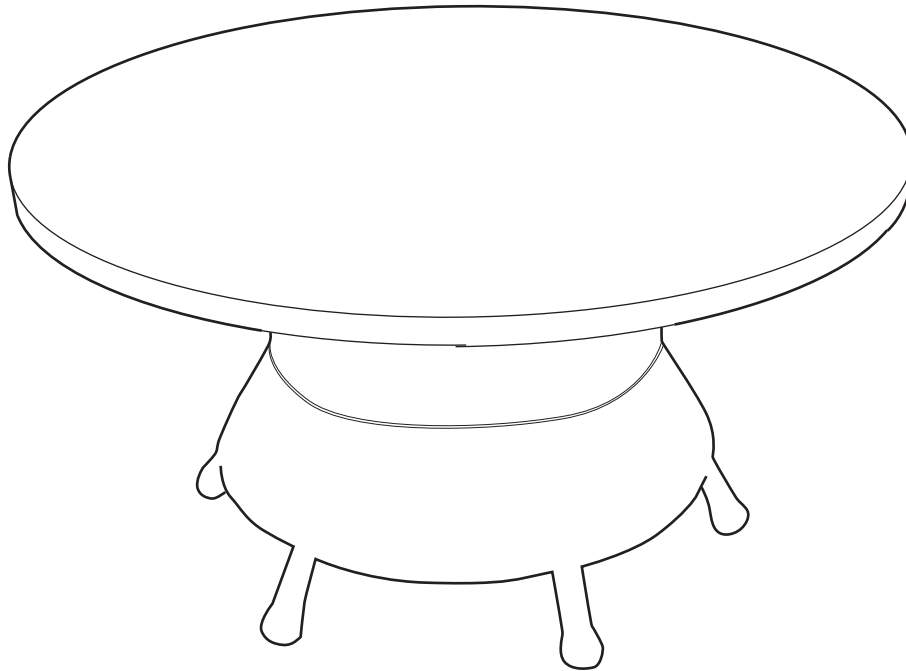


USE AND CARE GUIDE

ISLANDIA 5PC FULLY WOVEN DINING SET (54in. Round Marble Top Dining Table)



Questions, problems, missing parts? Before returning to the store,
call Home Decorators Collection Customer Service
8.00 a.m. - 6.00 p.m., EST, Monday - Friday

1-800-245-2217

HOMEDECORATORS.COM


THANK YOU


We appreciate the trust and confidence you have placed in Home Decorators Collection through the purchase of this 5-piece set. We strive to continually create quality products designed to enhance your home. Visit us online to see our full line of products available for your home improvement needs. Thank you for choosing Home Decorators Collection.


Table of Contents


Table of Contents.....	2	Pre-Assembly	3
Safety Information.....	2	Planning Assembly	3
Warranty	2	Hardware Included.....	3
5 Year Frame and 1 Year Weave Limited Warranty.	2	Package Contents	3
What Is Covered	2	Assembly	4
What Is Not Covered	2		
Care Instructions	2		

Safety Information

 **DANGER:** Please keep children out of the assembly area during assembly.

 **CAUTION:** Use the table and chairs on flat ground only.

 **IMPORTANT:** Please periodically check the tightness of bolts.

 **IMPORTANT:** You must have an umbrella base ready before you set an umbrella into the table.

Warranty

FIVE YEAR FRAME AND ONE YEAR WEAVE LIMITED WARRANTY

WHAT IS COVERED

We warrant the frame to be free of manufacturing defects to the original purchaser for five years and the weave for one year.

WHAT IS NOT COVERED

It remains the customer's responsibility for freight and packaging charges to and from our service center. This warranty does not cover commercial use, hardware, acts of nature, fire, freezing and abusive use. In addition, purchased parts are not covered under this warranty. We reserve the right to make substitutions with similar merchandise, if the model in question is no longer in production.

Care Instructions

Before using, wipe with a clean, dry cloth. Do not use bleach or solvents. Treat the frame with liquid wax for maximum protection against UV light and salty, damp air. When not in use, store furniture in a cool, dry place. When cleaning the table top make sure to use a soft, clean cloth that does not bleed color as well.

You may contact our customer service department with any questions by phone at 1-800-245-2217 or visit www.homedecorators.com.

Pre-Assembly

PLANNING ASSEMBLY

It will take at least two people about 20 minutes to complete the assembly process.

HARDWARE INCLUDED



NOTE: Hardware not shown to actual size.



AA



BB



CC



DD



EE

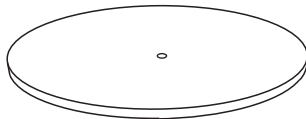


FF

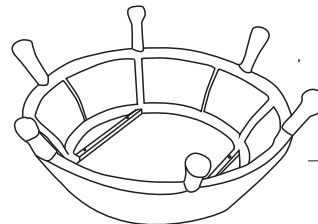
Part	Description	Quantity
AA	Bolt (M6x30)	4
BB	Bolt (M6x20)	4
CC	Washer	8

Part	Description	Quantity
DD	Bolt cap	8
EE	Plastic washer	4
FF	Hex wrench	1

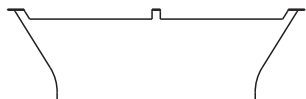
PACKAGE CONTENTS



A



B



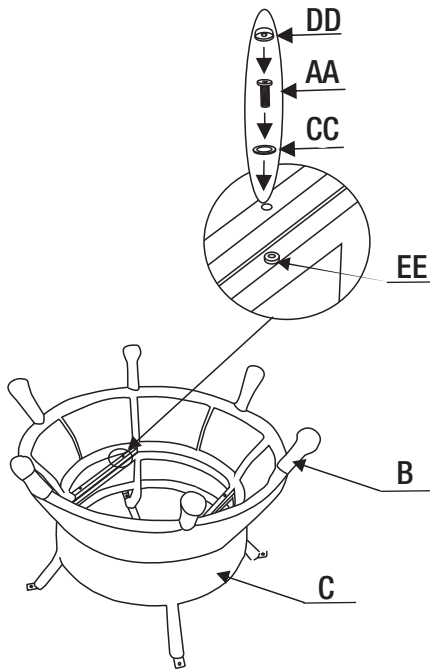
C

Part	Description	Quantity
A	Table Top	1
B	Table base 1	1
C	Table base 2	1

Assembly

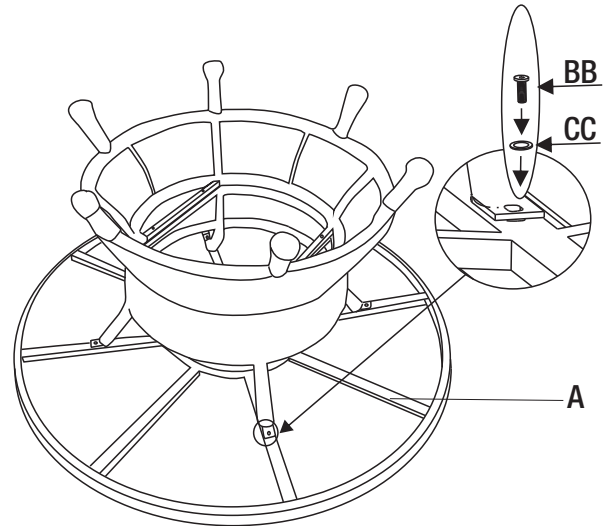
1 Assembling the table base

- Attach the table base 1 (B) to the table base 2 (C) with four washers (CC) and four bolts (AA) using the hex wrench (EE).



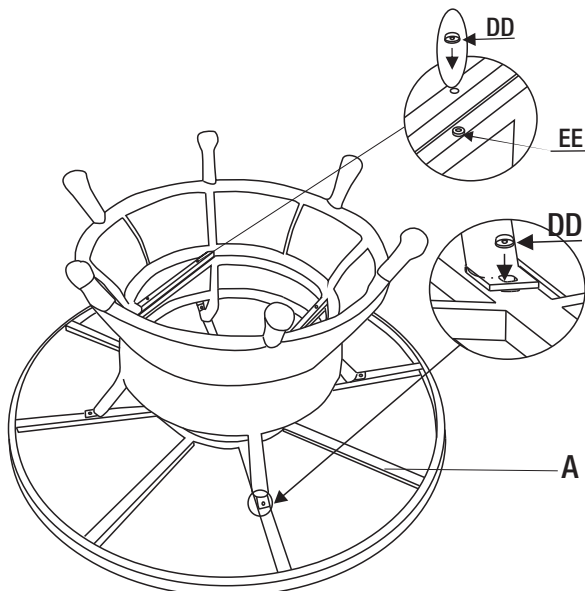
2 Attaching the table base

- Place table top (A) upside down on a flat, smooth and non-abrasive surface.
- Attach the complete table base to the table top (A) with four washers (CC) and four bolts (BB) using the hex wrench (EE).



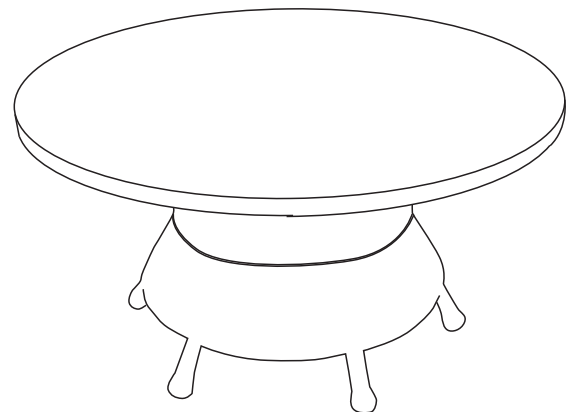
3 Attaching the bolt caps

- Fully tighten all bolts (AA and BB).
- Cover all bolts (AA and BB) with bolts caps (DD).



4 Turn the table upright

- Turn the table upright, check the stability before use.



HOME
DECORATORS
COLLECTION

Questions, problems, missing parts? Before returning to the store,
call Home Decorators Collection Customer Service
8.00 a.m. – 6.00 p.m., EST, Monday-Friday

1-800-245-2217

HOMEDECORATORS.COM

Retain this manual for future use.