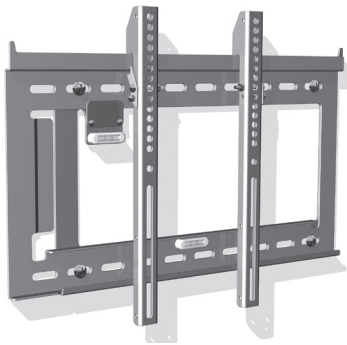


# Installation instructions

## Adjustable Fixed Plasma/LCD Wall Mount - Model: ELPFW-07



Thanks for purchasing an LevelMount product! The LevelMount Plasma/LCD Wall Mount allows you to easily, quickly and safely mount your plasma or LCD television to the wall. Please read these instructions carefully to ensure proper use.

### CAUTION:

Installer must make sure the LCD/Plasma Wall Mount is properly and securely attached and that appropriate fasteners are used. It is the responsibility of the installer to verify that the mount is anchored properly to the wall.

PLEASE NOTE: THE MOUNT MUST BE ATTACHED TO WOOD STUDS OR TO PROPERLY INSTALLED LEAD ANCHORS IN MASONRY OR CONCRETE. DO NOT MOUNT ONLY TO DRY WALL.

Before installing check to make sure all parts of the mount are included.

Make sure all screws and bolts are tightened before allowing Wall Mount to bear the full weight of the LCD Display.

### Features:

- Integrated Bubble Level(s)
- Durable Steel Construction
- Easy 2 Piece Mounting
- Low Profile Design
- Locking Lever
- Stud Finder Included

### Mounting Hardware Included:

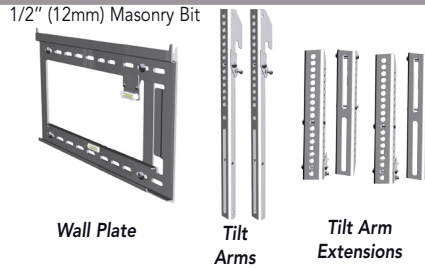
Bag	REF	Description	QTY
1	A	Phillips M4 x 12 Bolt	4
	B	Phillips M4 x 30 Bolt	4
2	C	Phillips M5 x 12 Bolt	4
	D	Phillips M5 x 30 Bolt	4
3	E	Phillips M6 x 12 Bolt	4
	F	Phillips M6 x 35 Bolt	4
4	G	Phillips M8 x 16 Bolt	4
	H	Phillips M8 x 40 Bolt	4
5	I	M4/M5 Washer	4
	J	M4/M5 Spacer	4
5	K	M6/M8 Spacer	4
	L	M4 Lock Washer	4
2	M	M5 Lock Washer	4
	N	M6 Lock Washer	4
4	O	M8 Lock Washer	4
	P	Hex Dry Wall Screws	6
6	Q	Dry Wall Washers	6
	R	Concrete Anchors	6
7	S	M5 x 48 Bolt	8
	T	M5 Hex Nut	8
7	U	M5 X 12 Bolt	2
	V	Lock Lever	2

### Tools required for attachment to stud:

- 1/2" (12mm) Socket Wrench
- Stud finder

### Tools required for attaching to concrete:

- 1/2" (12mm) Socket Wrench
- Electric drill



### Attaching Wall Plate to Wooden Studs:

1a. **Locate wall studs:** Locate a proper place to mount by using the stud finder included (Figure 1). It is recommended that the center of the stud be used – and that a nail be used to verify that a stud has been located. The mount requires a minimum of two studs to ensure proper and safe installation. The Wall Plate can be extended horizontally to allow for the attachment to 3 studs. Extending the Wall Plate is required for larger Plasma/LCD TV's. You should not extend the Wall Plate wider than the total length of your TV. The Tilt Arms will adjust horizontally to the right and left up to 8 inches after you determine the desired viewing location.

**Attaching LevelMount to wall:** Once the wall plate is in the correct position on the studs, screw 1 Hex Screw and 1 Hex Washer (P & Q) in the upper left mounting hole of the Wall Plate. Drill pilot hole with 1/4 inch drill bit. Do not screw too tight until after inserting all screws.

Now using the Bubble Level as your guide (Figure 3), drive the 2nd screw into the opposite upper right hand mounting hole of the Wall Plate into the stud. Now tighten both screws, proceed to drive the remaining 4 screws into the studs as seen in figure 2.

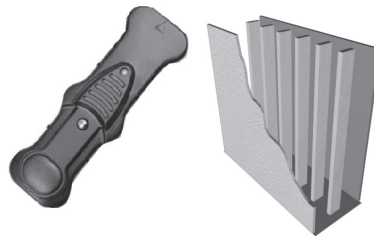


Figure 1

**NOTE: Due to the weight of the LCD/Plasma TV's, it is necessary to mount the Wall Plate to at least 2 studs.**

### Attaching Wall Plate to Concrete:

1b. **Attaching Wall Mount to concrete block or brick wall:** Place the Wall Plate at the height you want to install the Plasma/LCD wall Mount. Mark the six holes you will be using for concrete anchors (Figure 4). Utilize the built-in bubble level to ensure proper mounting (Figure 3). Drill holes for the concrete anchors using an electric drill with a masonry bit (1/2" or 12mm (Figure 5)). Drill into the wall at least as deep as the screw is long (3 inches).

Insert the anchors into the holes and set them flush to the wall by tapping them in with a hammer (Figure 6).

Once the Wall Plate is in the correct position on the wall, screw 1 Hex Screw and 1 Hex Washer (P & Q) in the upper left mounting hole of the Wall Plate. Do not screw too tight until all the screws are in.

Drive the 2nd screw into the opposite upper right hand mounting hole of the Wall Plate, then proceed to drive the remaining 4 screws into the concrete anchors as seen in figure 2.

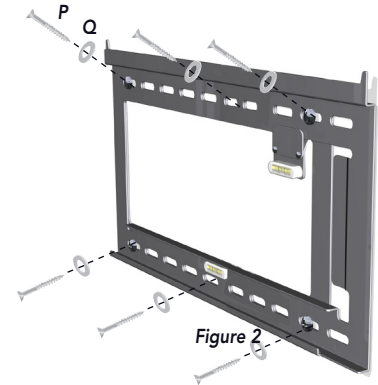


Figure 2



Figure 3



Figure 4

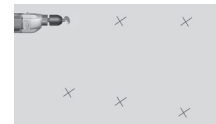


Figure 5

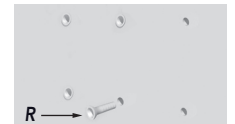


Figure 6

### Attaching the Tilt Arms:

**NOTE: NEVER LAY YOUR TELEVISION FACE DOWN ON ITS GLASS. Laying the television down on the glass may cause permanent damage.**

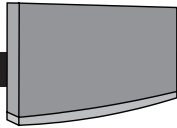
### 2. Selecting the Appropriate Hardware for your LCD/Plasma:

CAUTION: Select Bag 1-4, which most resembles the hole size on the back of your LCD/Plasma. Thread the bolts carefully into your LCD or plasma by hand to determine which provided mount hardware (correct diameter) is appropriate for installation. If you feel resistance, remove the bolt immediately! Next determine the correct length of the required bolt as described in the following step.

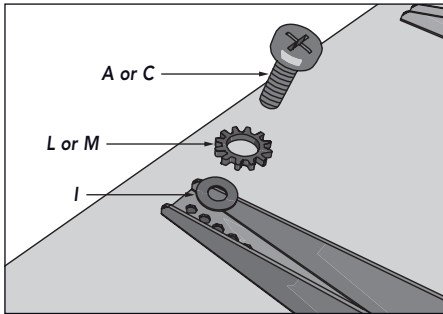
**\*\*PLEASE NOTE: You will not use all of the hardware included. Please see step 4 if your Plasma or LCD needs Extension Plates.**

## Adjustable Fixed Plasma/LCD Wall Mount - Model ELPFW-07

### FLAT BACK

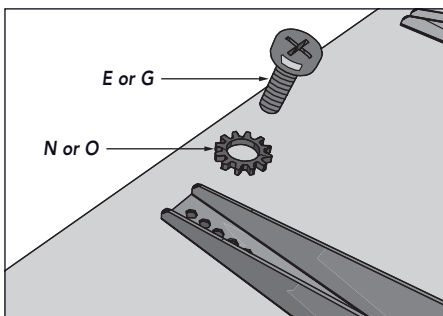


Plasma/LCDs with a flat back panel will require a shorter bolt. For a flat back Plasma/LCD that required a M4 or M5 diameter bolt, thread a M4 x 12(A) or a M5 x 12(C) bolt through the appropriate Lock Washer(L,M), an M4/M5 Washer, the Tilt Arms and into the TV. Please see Diagram 1 below for a detailed drawing. Tighten bolts firmly with a Phillips screwdriver. Do not over tighten.



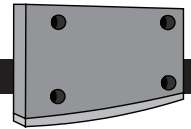
Bag 1	Bag 2	Bag 5
(4x) Phillips Screws M4 x 12 Bolt	(4x) Phillips Screws M5 x 12 Bolt	(4x) M4/M5 Washer
(4x) M4 Lock Washer	(4x) M5 Lock Washer	(4x) M4/M5 Spacer
(4x) Phillips Screws M4 x 30 Bolt	(4x) Phillips Screws M5 x 30 Bolt	(4x) M6/M8 Spacer

Plasma/LCDs with a flat back panel will require a shorter bolt. For a flat back Plasma/LCD that required a M6 or M8 diameter bolt, thread a M6x12(E) or a M8x16(G) bolt through the appropriate Lock Washer(N,O), the Tilt Arms and into the TV. Please see Diagram 2 below for a detailed drawing. Tighten bolts firmly with a Phillips screwdriver. Do not over tighten.



Bag 3	Bag 4
(4x) Phillips Screws M6 x 12 Bolt	(4x) Phillips Screws M8 x 16 Bolt
(4x) M6 Lock Washer	(4x) M8 Lock Washer
(4x) Phillips Screws M6 x 35 Bolt	(4x) Phillips Screws M8 x 40 Bolt

### RECESSED BACK



Plasma/LCDs with a recessed back will require a longer bolt with a spacer. For a recessed back Plasma/LCD that required a M4 or M5 diameter bolt, thread a M4x30(B) or a M5x30(D) bolt through the appropriate Lock Washer(M,N), an M4/M5 Washer, the Tilt Arms, a M4/M5 Spacer(J) and into the TV. Please see Diagram 5 below for a detailed drawing. Tighten bolts firmly with a Phillips screwdriver. Do not over tighten.

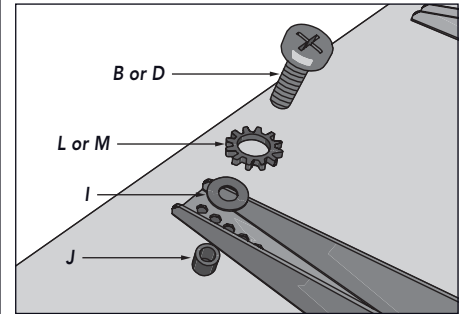
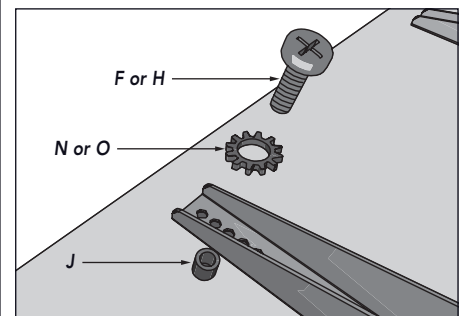


Diagram 5

Bag 1	Bag 2	Bag 5
(4x) Phillips Screws M4 x 12 Bolt	(4x) Phillips Screws M5 x 12 Bolt	(4x) M4/M5 Washer
(4x) M4 Lock Washer	(4x) M5 Lock Washer	(4x) M4/M5 Spacer
(4x) Phillips Screws M4 x 30 Bolt	(4x) Phillips Screws M5 x 30 Bolt	(4x) M6/M8 Spacer

Plasma/LCDs with a recessed back will require a longer bolt with a spacer. For a recessed back Plasma/LCD that required a M6 or M8 diameter bolt, thread a M6x35(F) or a M8x40(H) bolt through the appropriate Lock Washer(N,O), the Tilt Arms, a M6/M8 Spacer(J) and into the TV. Please see Diagram 6 below for a detailed drawing. Tighten bolts firmly with a Phillips screwdriver. Do not over tighten.



Bag 3	Bag 4	Bag 5
(4x) Phillips Screws M6 x 12 Bolt	(4x) Phillips Screws M8 x 16 Bolt	(4x) M4/M5 Washer
(4x) M6 Lock Washer	(4x) M8 Lock Washer	(4x) M4/M5 Spacer
(4x) Phillips Screws M6 x 35 Bolt	(4x) Phillips Screws M8 x 40 Bolt	(4x) M6/M8 Spacer

**Attaching Extension Arms:**

4. If you have an oversized LCD/ Plasma TV, you may need to use the Extension Arms provided. If you need to use the Tilt Extension Arms, you must use all of the Extensions in order for the Mount to properly hold your TV.

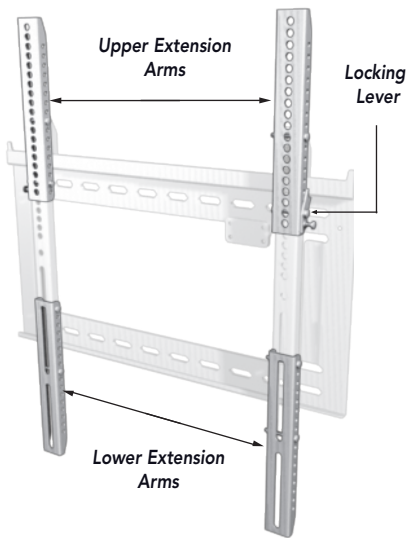
It is recommended to measure the distance between the mounting holes on the back of your TV prior to attaching the Tilt Extension Arms. The multiple hole pattern on the Tilt Extension Arms make it easy to adjust to fit your unique television (Figure 7).



Figure 7

Attach the Tilt Extension Arms to the Tilt Arms by threading the M5 bolts (S) through the Tilt Extension Arm, through the Tilt Arms and tighten with the provided Hex Nut (T). 2 M5 bolts must be used per Tilt Extension Arm.

Note: There is a difference between the top and bottom Tilt Extension Arms. The locking mechanism should face the outside of the upper left and right Extension Arms. The Locking Lever will have to be unfastened and reattached when adjusting the Extension Arms.



**Mounting the LCD/Plasma to the Wall Plate:**

5. Attaching Plasma/LCD monitor to wall: Once you have attached the Tilt Arms to your LCD/Plasma you are ready to attach the display to the Wall Plate. It will take 2 people to slide the TV onto the Wall Plate. Slide the attachment hooks of the Tilt Arms above of the upper lip on the Wall Plate until the Tilt Arms rests firmly on both sides of the Wall Plate (Figure 8).

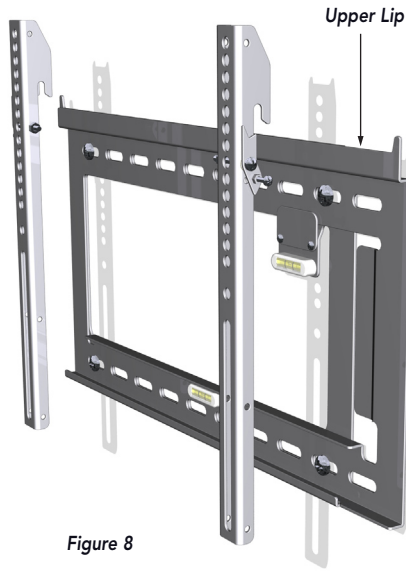
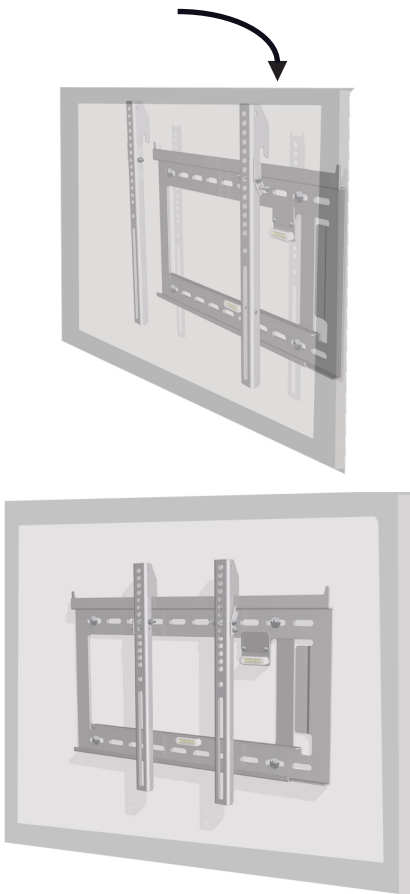
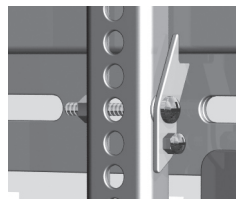


Figure 8



**Locking the Display:**

Securely Lock the LCD/Plasma: Once the Tilt Arms are attached to the Wall Plate, it can be locked down. Lock the LCD/Plasma to the Wall Plate by flipping the lock tab over the Wall Plate to prevent accidental dislodging.



The Lock Lever will have to be assembled by placing the M5 x 12mm bolt (U) through the Lock Lever (V) and fasten it with a Hex Nut (T).

**Adjusting the Display:**

Adjusting the display horizontally: The LevelMount ELPFW07 can be adjusted to fit a VESA 100 (3.94" x 3.94") mounting pattern and a wider pattern for larger displays up to a (34.0" Horizontal, 25.0" Vertical) VESA 75, 100, 200, 400, 600, 800 mounting pattern. The display may be adjusted horizontally from side to side up to 8 inches.



**Low Profile Design:**

The ELPFW07 is designed in such a way that it positions the display only 1.3 inches from the wall.

