

# GTWN4000M

## GE® 3.7 cu. ft. stainless steel capacity washer

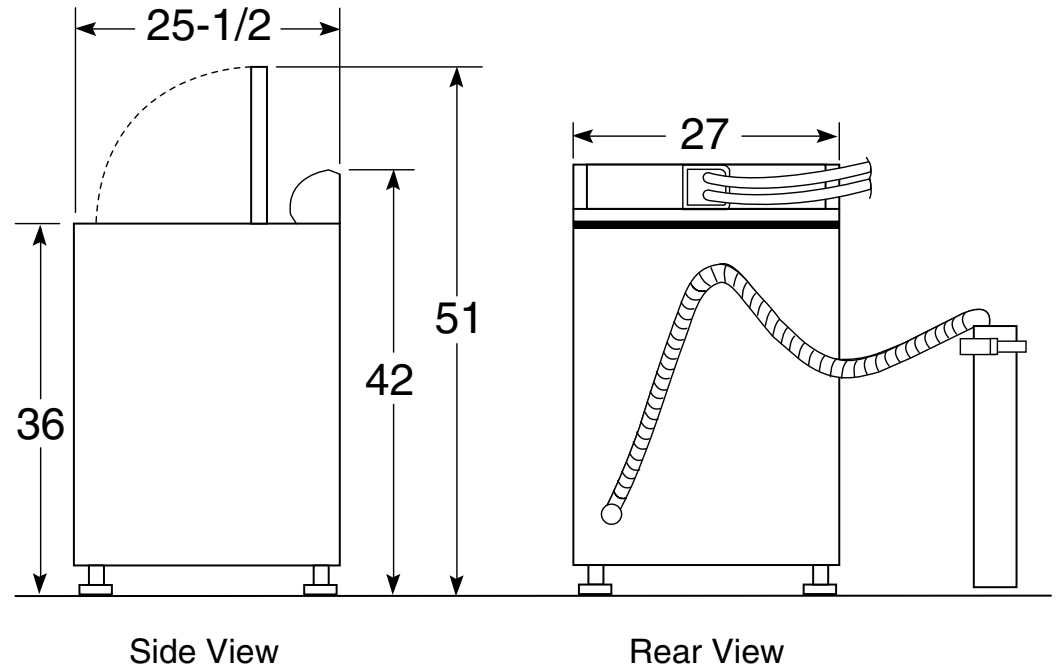
### Dimensions and Installation Information (in inches)

**Circuit Requirements:** An individual, properly-grounded branch circuit, with a three-prong grounding-type receptacle, protected by a 15 or 20 amp circuit breaker or a time-delay fuse, is required.

**Electrical Rating:** 115V, 60Hz, 10A

**Note:** Washer wall outlet must be located within 36" of service code entry. Wall outlet must not be located behind dryer.

**Installation Information:** Before installing, consult installation instructions packed with product for current dimensional data.



For answers to your Monogram®, GE Profile™ or GE® appliance questions, visit our website at [ge.com](http://ge.com) or call GE Answer Center® service, 800.626.2000.

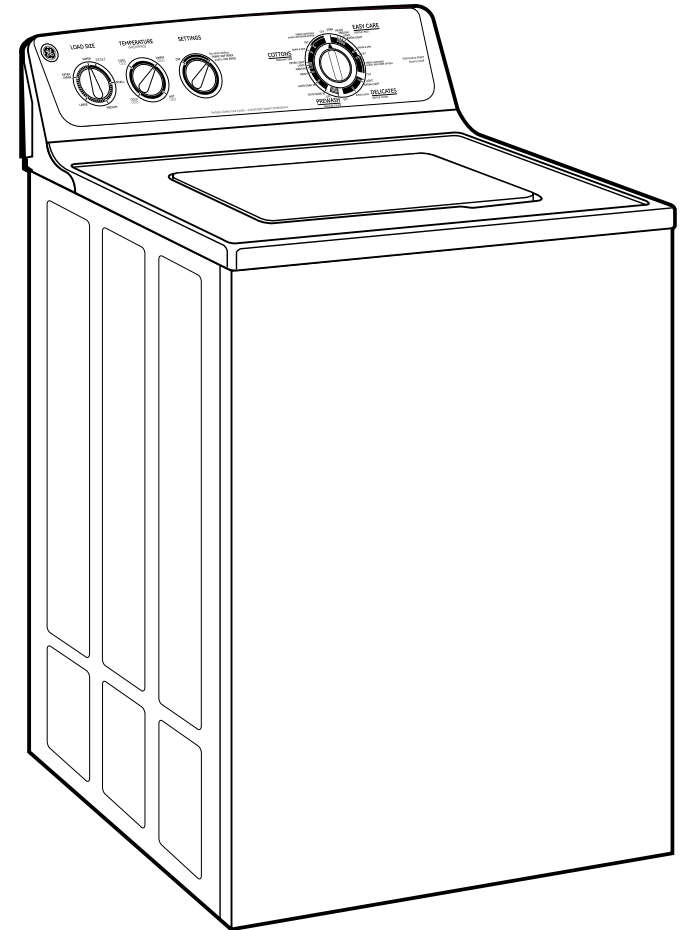


# GTWN4000M

## GE® 3.7 cu. ft. stainless steel capacity washer

### Features and Benefits

- HydroWave™ wash system - Longer, slower\* travel through water improves cleaning performance and is gentler on your clothes \*Compared to a non-HydroWave washer, WDSR2120
- Rotary electromechanical controls - Easy-to-use controls make it simple to set cycles
- 4 wash/spin speed combinations - Washer alternates spin speeds for great clothes care
- 17 wash cycles - Multiple cycles are designed to specifically handle various fabrics and soils
- Bleach and fabric softener dispensers - Solutions are automatically mixed with wash water for bright, soft-to-the-touch results
- 4 wash/rinse temperatures - Allow you to select the right temperature for great wash results
- 5 water levels - Allows user to match the water level to each load of wash
- 630 RPM spin speed - Fast speeds remove more water during the spin cycle to minimize drying time
- Model GTWN4000MWS – White on white



imagination at work