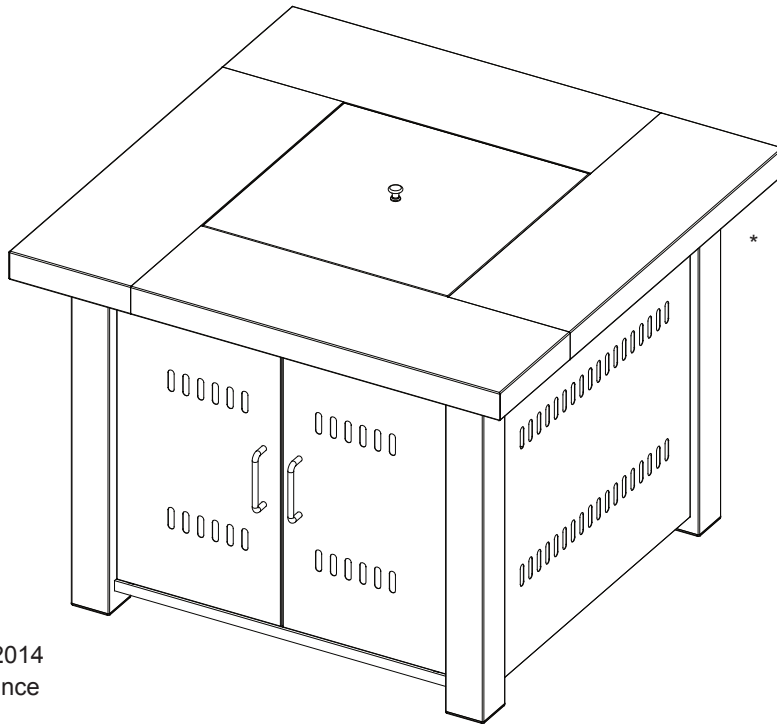


# OUTDOOR PROPANE FIREPIT

MODEL #OFG418TA/OFG900T/OFG901T

**Espanol p. 31**

**Français p. 61**



ANS Z21.97-2014 • CSA 2.41-2014  
 Outdoor Decorative Gas Appliance

Propane cylinders  
 sold separately.

\*Item may have  
 a slightly different  
 appearance  
 depending on  
 the model #  
 purchased.

## IMPORTANT INSTRUCTIONS

PLEASE READ THIS MANUAL BEFORE INSTALLING AND USING APPLIANCE

### WARNING

IF THE INFORMATION IN THIS MANUAL IS NOT FOLLOWED EXACTLY,  
 AN ELECTRICAL SHOCK OR FIRE MAY RESULT  
 CAUSING PROPERTY DAMAGE, PERSONAL INJURY OR LOSS OF LIFE.

**INSTALLER: Leave this manual with the consumer.**  
**CONSUMER: Retain this manual for future reference.**

### ATTACH YOUR RECEIPT HERE

Serial Number \_\_\_\_\_ Purchase Date \_\_\_\_\_



**Questions, problems, missing parts?** Before returning to your retailer, call our customer service department at 1-877-447-4768, 8:30AM – 4:30PM CST, Monday – Friday, or log on to [customerservice@ghpgroupinc.com](mailto:customerservice@ghpgroupinc.com)

## TABLE OF CONTENTS

Safety Information .....	4
Package Contents .....	7
Preparation .....	10
Assembly Instructions .....	11
Operating Instructions .....	19
Care and Maintenance .....	24
Warranty .....	25
Troubleshooting .....	26
Replacement Parts List .....	28

 **WARNING: For Outdoor Use Only.**

 **DANGER:**


If you smell gas:

1. Shut off gas to the appliance.
2. Extinguish any open flame.
3. If odor continues, keep away from the appliance and immediately call your gas supplier or your fire department.

 **WARNING:**

Do not store or use gasoline or other flammable vapors or liquids in the vicinity of this or any other appliance.

An LP cylinder not connected for use shall not be stored in the vicinity of this or any other appliance.

 **WARNING:** Improper installation, adjustment, alteration, service or maintenance can cause injury or property damage. Refer to the owner's information manual provided with this appliance. For assistance or additional information consult a qualified installer, service agency or the gas supplier.

 **DANGER**



### CARBON MONOXIDE HAZARD

This appliance can produce carbon monoxide which has no odor.

Using it in an enclosed space can kill you.

Never use this appliance in an enclosed space such as a camper, tent, car or house.

## LP-GAS CYLINDER LABEL

**⚠ DANGER • FLAMMABLE GAS UNDER PRESSURE.  
LEAKING LP-GAS MAY CAUSE A FIRE OR EXPLOSION IF IGNITED  
CAUSING SERIOUS BODILY INJURY OR DEATH.  
CONTACT LP GAS SUPPLIER FOR REPAIRS, OR DISPOSAL OF THIS  
CYLINDER OR UNUSED LP-GAS.**

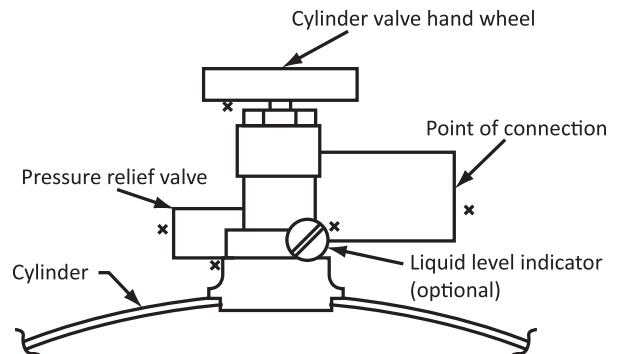
**⚠ WARNING • FOR OUTDOOR USE ONLY.\*  
DO NOT USE OR STORE CYLINDER IN A BUILDING,  
GARAGE OR ENCLOSED AREA.**

**⚠ WARNING:**

- Know the odor of LP-gas. If you hear, see or smell leaking LP-gas, immediately get everyone away from the cylinder and call the Fire Department. Do not attempt repairs.
- Caution your LP-gas supplier to:
  - Be certain cylinder is purged of trapped air prior to first filling.
  - Be certain not to over fill the cylinder.
  - Be certain cylinder requalification date is checked.
- LP-gas is heavier than air and may settle in low places while dissipating.
- Contact with the liquid contents of cylinder will cause freeze burns to the skin.
- Do not allow children to tamper or play with cylinder.
- When not connected for use, keep cylinder valve turned off. Self contained appliances shall be limited to a cylinder of 30 lb capacity or less.
- Do not use, store or transport cylinder where it would be exposed to high temperatures. Relief valve may open allowing a large amount of flammable gas to escape.
- When transporting, keep cylinder secured in an upright position with cylinder valve turned off.

**WHEN CONNECTING FOR USE:**

- Use only in compliance with applicable codes.
- Read and follow manufacturer's instructions.
- Consult manufacturer's instructions concerning the cylinder connection provided with your appliance.
- Be sure regulator vent is not pointing up.
- Turn off all valves on the appliance.
- Do not check for gas leaks with a match or open flame. Apply soapy water at areas marked "X". Open cylinder valve. If bubble appears, close valve and have LP-gas service person make needed repairs. Also, check appliance valves and connections to make sure they do not leak before lighting appliance.
- Light appliance(s) following manufacturer's instructions.
- When appliance is not in use, keep the cylinder valve closed.



**DO NOT REMOVE, DEFACE, OR OBLITERATE THIS LABEL  
\*EXCEPT AS AUTHORIZED BY ANSI/NFPA 58.**

**⚠ DANGER.** Do not store a spare LP cylinder under or near a barbecue grill, or other heat sources.  
NEVER fill an LP cylinder beyond 80% full: a fire causing death or serious injury may occur.

## SAFETY INFORMATION

---

Please read and understand this entire manual before attempting to assemble, operate or install the product. If you have any questions regarding the product, please call customer service at 1-877-447-4768 8:30AM – 4:30PM CST, Monday – Friday.

## DANGER

- Failure to follow the dangers, warnings and cautions contained in this owner's manual may result in serious bodily injury or death, or in a fire or an explosion causing damage to property.

## WARNING

- Maximum inlet gas supply pressure: 250 psi/ 1750 kPa. Manifold pressure with regulator provided: 11 inch W.C/ 2.74 kPa.
- This appliance shall be used only outdoors in a well-ventilated space and shall not be used in a building, garage or any other enclosed area.
- DO NOT use this appliance for cooking
- The installation of this product must conform with local codes or, in absence of local codes, with either the National Fuel Gas Code, ANSIZ223.1/NFPA 54, or the CAN/CGA-B149.1, Natural Gas and Propane Installation Code.
- Do not use this appliance if any part has been under water. Immediately call a qualified service technician to inspect the appliance and to replace any part of the control system and any gas control that has been under water.
- Do not store a spare or disconnected propane cylinder under or near this appliance.
- Do not operate the propane appliance if there is a gas leak present.
- Never use a flame to check for gas leaks.
- Clearance to combustible materials minimum of 24 inches/ 60.96cm from the sides of your propane appliance and minimum of 72 inches/ 182.88 cm from the top of your propane appliance. Only place unit on non-combustible surfaces.
- Do not put any other appliance cover or anything flammable on, or beneath the appliance.
- **The propane appliance should never be used by children. Young children should be carefully supervised when they are in the area of the appliance.**
- **Children and adults should be alerted to the hazards of high surface temperatures and keep a safe distance to avoid burning or clothing ignition.**
- Should fire go out while burning, turn the gas valve off. Follow the instructions and wait five minutes before attempting to relight.
- Never use wood or any other solid fuel in the appliance. Solid fuels shall not be burned in this gas fire pit.
- **Never hang or place clothing or other flammable materials on or near the appliance.**
- Never lean over the operating appliance or place hands or fingers on the upper portion of the operational unit.
- Keep ventilation openings in cylinder enclosure free and clear of debris.
- Do not alter the appliance.
- The conversion or attempted use of natural gas in a propane unit or propane gas in a natural gas unit is dangerous.
- For use with cylinders marked PROPANE only. DO NOT connect to a remote gas supply.
- Do not use this appliance on vehicles or boats. Always operate the appliance on a flat/level surface.

## SAFETY INFORMATION

---

### WARNING

- Keep any electrical supply cord and fuel supply hose away from any heated surfaces.
- Keep your appliance free and clear from combustible materials, gasoline and other flammable vapors and liquids.
- Visually inspect burner for obstructions. Keep tank enclosure free and clear from debris.
- Do not use this appliance unless all parts are in place.
- **Any guard or other protective device removed for servicing the appliance must be replaced prior to operating the appliance.**
- The hose assembly must be replaced prior to the appliance being put into operation if there is evidence of excessive abrasion or wear or if the hose is damaged. The replacement hose assembly shall be specified by the manufacturer.
- **Installation and repair should be done by a qualified service person. The appliance should be inspected before use and at least annually by a qualified service person. More frequent cleaning may be required as necessary. It is imperative that control compartment, burners and circulating air passageways of the appliance be kept clean.**
- The propane gas supply cylinder to be used must be constructed and marked in accordance with the Specifications for LP Gas Cylinders of the U.S. Department of Transportation (D.O.T.) or the National Standard of Canada, CAN/CSA-B339, Cylinders, Spheres and Tubes for Transportation of Dangerous Goods; and Commission, as applicable; and provided with a listed overfilling prevention device.
- Use only 20-pound cylinders (height: 18.11 inches/ 46 cm, tank diameter: 9.84 inches/ 25 cm, foot diameter: 8.03 inches/ 20.4 cm) equipped with a cylinder connection device compatible with the connection for the hose regulator supplied with this appliance. The cylinder must include a collar to protect the cylinder valve. The gas cylinder should not be dropped or handled roughly!
- Cylinders must be stored outdoors in a well-ventilated area out of the reach of children.
- Disconnect the cylinder when the appliance is not being used.
- Disconnected cylinders must have valve caps tightly installed and must not be stored in building or any other enclosed area.
- Do not use this appliance under umbrellas, awnings, etc.
- Only use the appliance on stable surfaces.
- Do not operate with a vinyl or PVC cover.
- Allow the unit to cool before placing a vinyl or PVC cover on the unit.
- Do not sit on unit.
- Never use charcoal or lighter fluid with the fire pit.
- Do not use gasoline, kerosene or alcohol for lighting.
- Never keep a filled LP cylinder in a hot car or car trunk. Heat will cause the gas pressure to increase, which may open the relief valve and allow gas to escape.
- Do not lean over fire pit when lighting. Read instructions before lighting.
- If the flame extinguishes accidentally during ignition or operation, immediately TURN OFF the cylinder valve and then TURN OFF the control knob.

 **WARNING**

**FOR PROPANE GAS UNITS**

- The gas pressure regulator provided with the propane appliance must be used.
- The replacement pressure regulator must be those specified by the appliance manufacturer.
- Do not attempt to disconnect the gas cylinder or any gas fitting while your appliance is in operation.
- A dented or rusty propane cylinder may be hazardous and should be checked by your gas supplier prior to use.
- Do not use a propane cylinder with a damaged valve and any other worn out parts.
- Transit and store the empty gas cylinders carefully and properly.
- If you see, smell or hear the hiss of escaping gas from the propane cylinder:
  1. Disconnect propane gas cylinder
  2. Do not attempt to correct the problem yourself.
  3. Get to your gas supplier and/or the fire department for help.

**CALIFORNIA PROPOSITION 65**

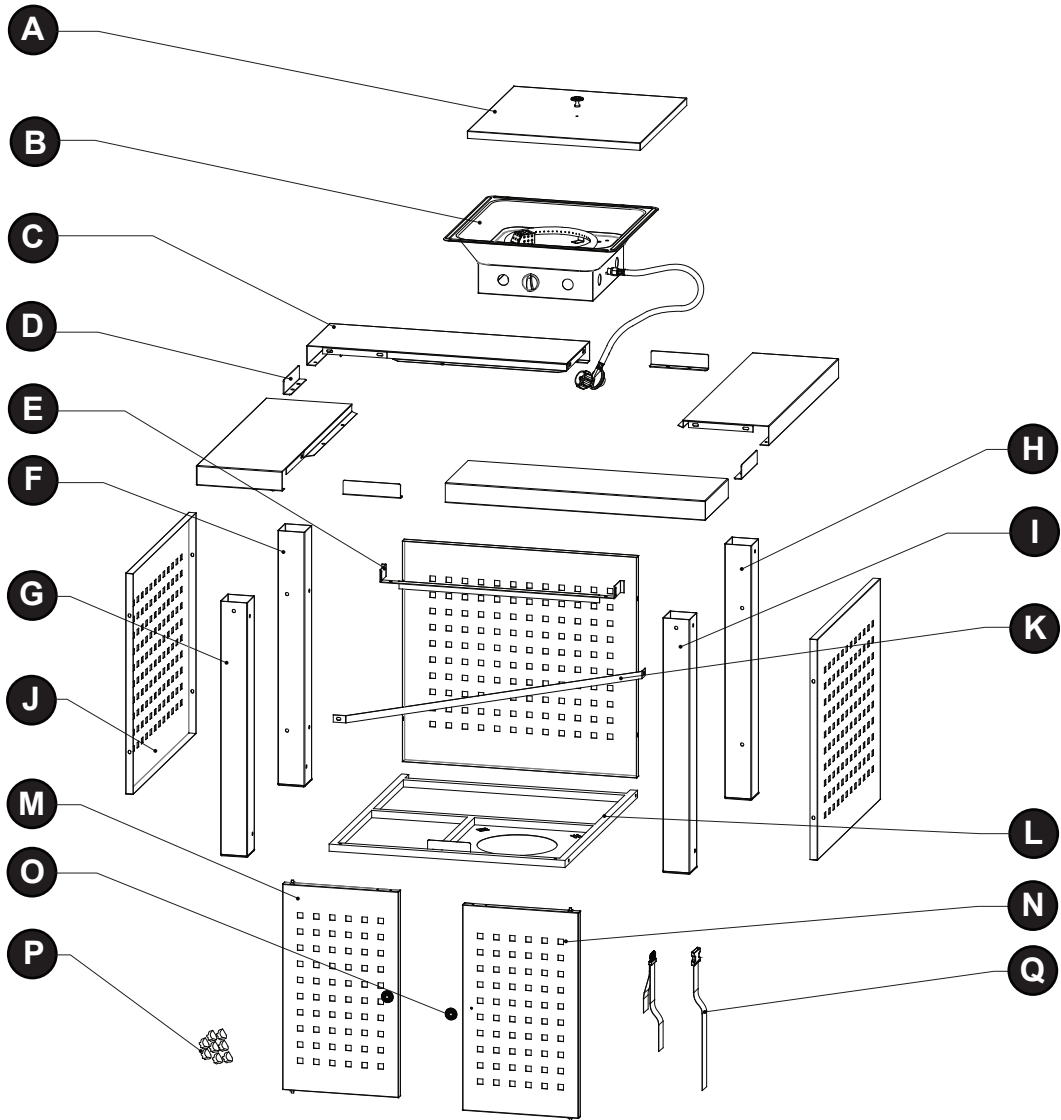
Combustion by-products produced when using this product contain chemicals, including Benzene, known to the State of California to cause cancer, birth defects, and other reproductive harm.

 **CAUTION**

**GLASS ROCKS**

1. Do not light or use gas unit if glass rocks are wet. Make sure glass rocks are completely dry before lighting as intense heat could cause the rock to crack.
2. Glass rocks could hit a person's face or eyes during the initial startup of this unit. Keep away from the appliance for the first 20 minutes after lighting.

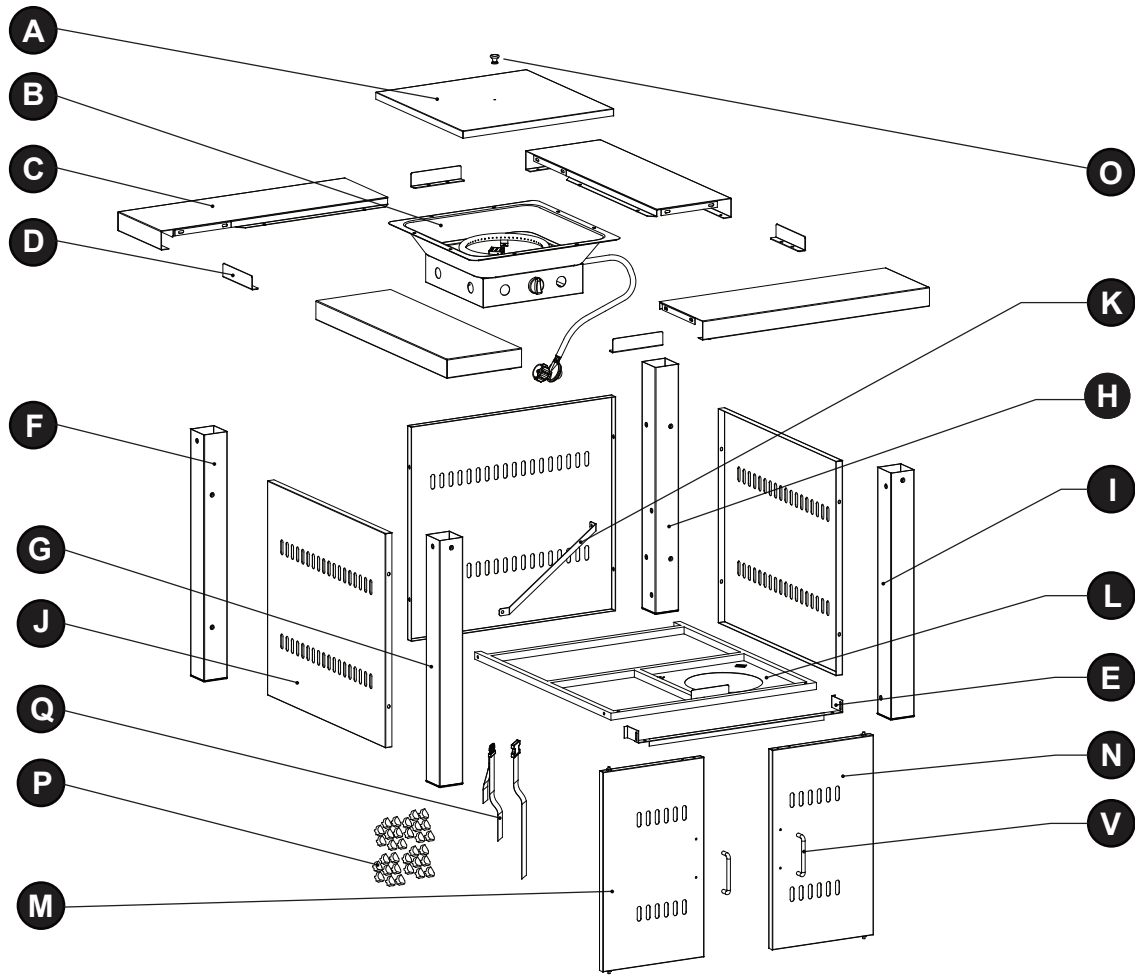
# PACKAGE CONTENTS OFG418TA



PART	DESCRIPTION	QTY.
A	Table Lid	1
B	Burner Assembly	1
C	1/4 Table	4
D	Angle Iron	4
E	Door Bracket	1
F	Back Bracket Post (Left)	1
G	Front Bracket Post (Left)	1
H	Back Bracket Post (Right)	1
I	Front Bracket Post (Right)	1

PART	DESCRIPTION	QTY.
J	Side Panel	3
K	Gas Cylinder Block Belt	1
L	Bottom Plate	1
M	Door (Left)	1
N	Door (Right)	1
O	Knob	3
P	Glass Rocks (One Pack)	1
Q	Propane Tank Strap	1

# PACKAGE CONTENTS OFG900T

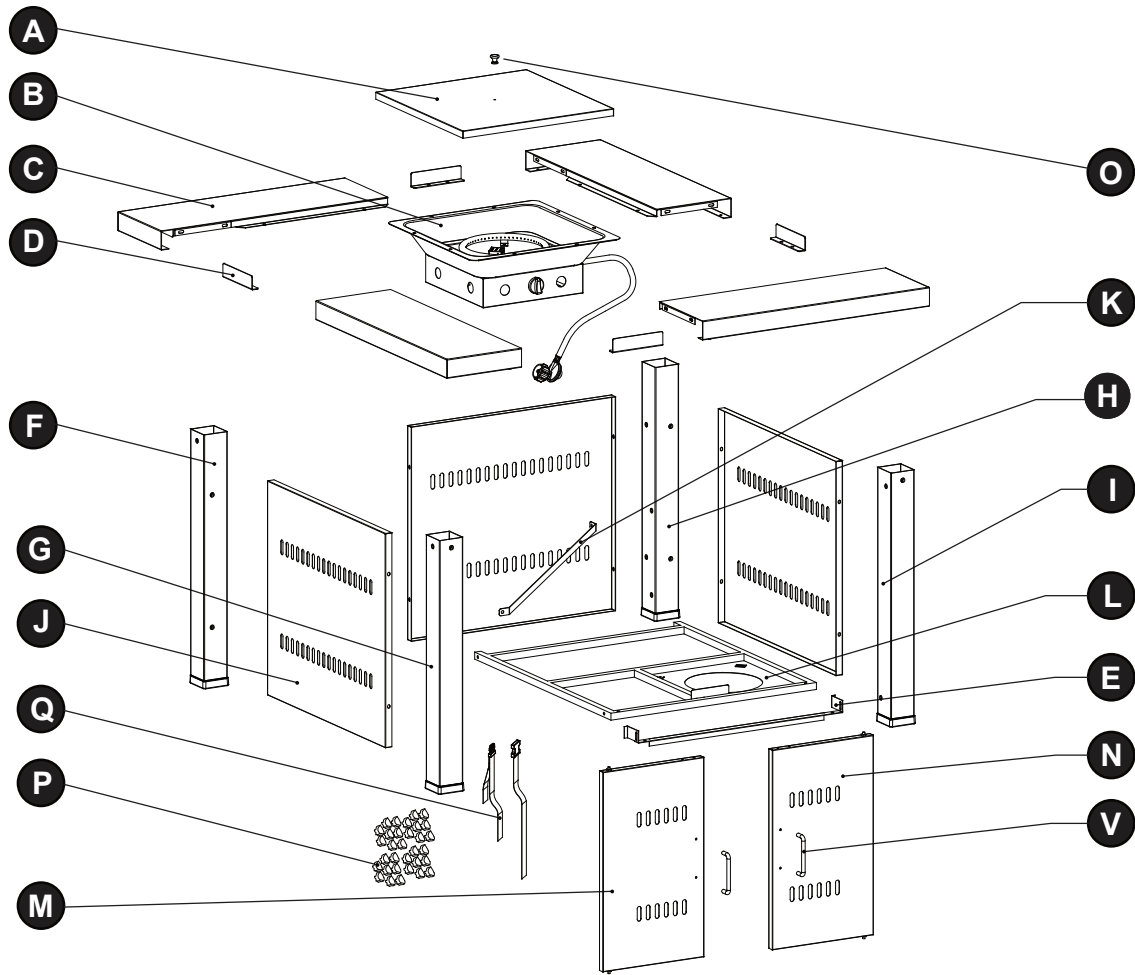


PART	DESCRIPTION	QTY.
A	Table lid	1
B	Burner Assembly	1
C	1/4 Table	4
D	Angle Iron	4
E	Door Bracket	1
F	Back Bracket Post (Left)	1
G	Front Bracket Post (Left)	1
H	Back Bracket Post (Right)	1
I	Front Bracket Post (Right)	1

PART	DESCRIPTION	QTY.
J	Side Panel	3
K	Gas Cylinder Block Belt	1
L	Bottom Plate	1
M	Door (Left)	1
N	Door (Right)	1
O	Knob	1
P	Glass Rocks (One Pack)	1
Q	Propane Tank Strap	1
V	Door Handle	2



# PACKAGE CONTENTS OFG901T



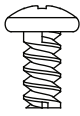
PART	DESCRIPTION	QTY.
A	Table lid	1
B	Burner Assembly	1
C	1/4 Table	4
D	Angle Iron	4
E	Door Bracket	1
F	Back Bracket Post (Left)	1
G	Front Bracket Post (Left)	1
H	Back Bracket Post (Right)	1
I	Front Bracket Post (Right)	1

PART	DESCRIPTION	QTY.
J	Side Panel	3
K	Gas Cylinder Block Belt	1
L	Bottom Plate	1
M	Door (Left)	1
N	Door (Right)	1
O	Knob	1
P	Glass Rocks (One Pack)	1
Q	Propane Tank Strap	1
V	Door Handle	2

## HARDWARE USED

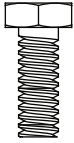
---

AA



\*Screw  
M4 X 5  
Qty. 5

BB



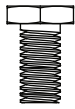
Bolt  
M6 X 30  
Qty. 4

CC



Nut  
M6  
Qty. 8

DD



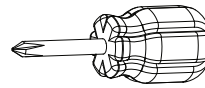
Bolt  
M6 X 12  
Qty. 40

EE



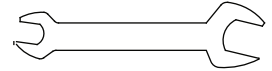
Screw  
M5 X 12  
Qty. 4

FF



Phillips  
screwdriver  
Qty. 1

GG



Wrench  
Qty. 1

\*OFG418TA uses 3 pcs. of M4 X 5 screws (AA).

## PREPARATION

---

Before beginning assembly of product, make sure all parts are present. Compare parts with package contents list and hardware contents above. If any part is missing or damaged, do not attempt to assemble the product. Contact customer service for replacement parts.

**Estimated Assembly Time: 60 minutes**

Tools required for assembly (not included):  
Leak Detection Solution.

## **⚠ CAUTION**

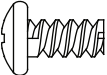
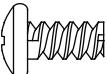
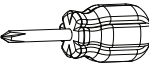
**THIS UNIT IS HEAVY. Two people required for safe assembly.**

Two people required for safe assembly. Some parts may contain sharp edges. Wear protective gloves if necessary. Read and follow all safety statements, warnings, assembly instructions and use and care instructions before attempting to assemble and use.

# ASSEMBLY INSTRUCTIONS

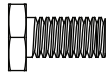
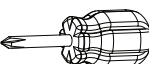
- Screw the knob (O) or door handle (V) on the door (M) with M4 X 5 screws (AA). Repeat procedure to complete the assembly of the other door (N).

## Hardware Used

- |           |                      |   |     |
|-----------|----------------------|---|-----|
| <b>AA</b> | Handle Screw M4 X 5  |  | X 4 |
| <b>AA</b> | Knob Screw M4 X 5    |  | X 2 |
| <b>FF</b> | Phillips screwdriver |  | X 1 |

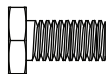

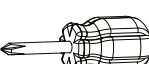
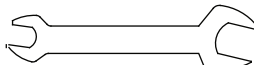
- Attach an angle iron (D) to 1/4 table (C) with M6 X 12 bolt (DD). Repeat procedure to complete the assembly of the rest of three 1/4 tables. Do not tighten completely at this time.

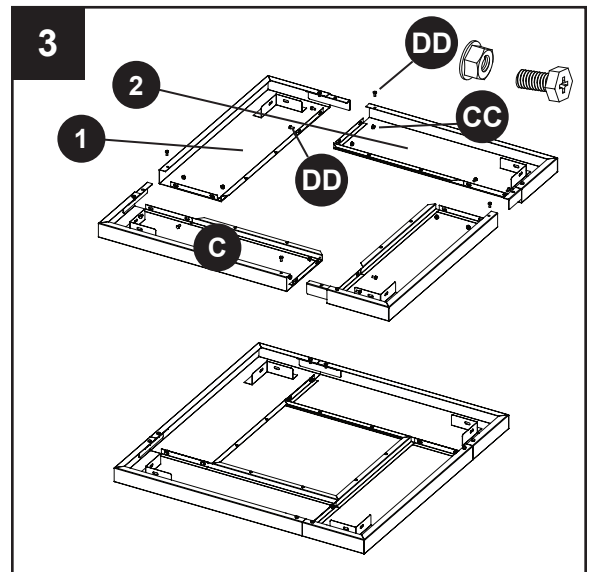
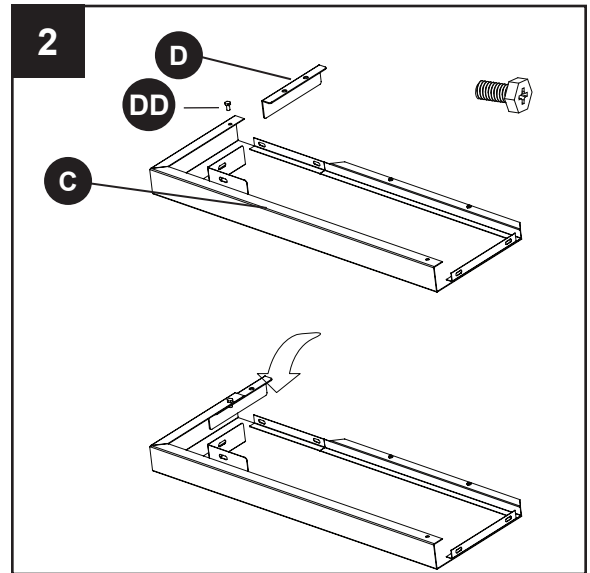
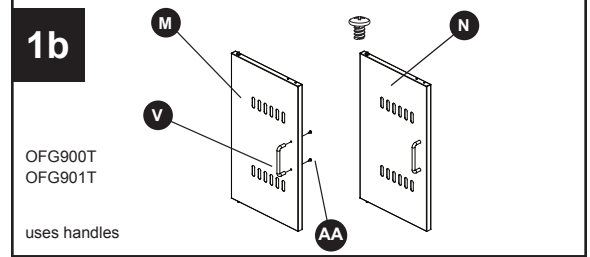
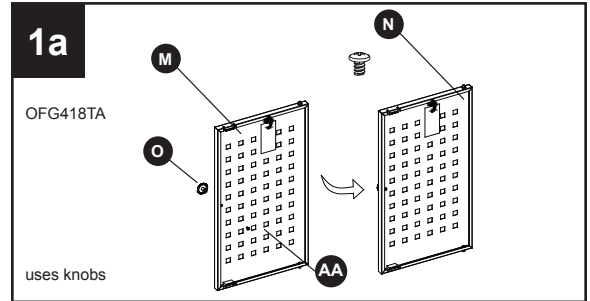
## Hardware Used

- |           |                      |   |     |
|-----------|----------------------|---|-----|
| <b>DD</b> | Bolt M6 X 12         |   | X 4 |
| <b>FF</b> | Phillips screwdriver |  | X 1 |

- Line up holes in a 1/4 table (C) with corresponding holes from another 1/4 table (C). Insert two M6 X 12 bolts (DD) through holes. Finger tighten with two M6 nuts (CC). Be sure **1** and **2** are level and fully tightened. Repeat procedure to complete the assembly of the rest of 1/4 tables. Once the 4 panels are connected with 2 bolts per connection point, use another M6 x 12 bolt (DD) to secure the edges at four points around the table. Tighten the loose bolts from step two completely.

## Hardware Used

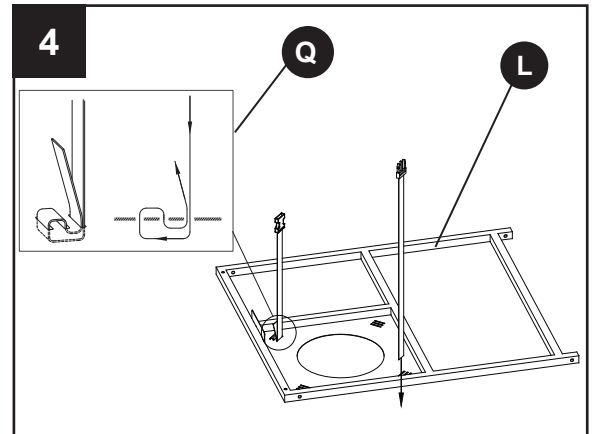
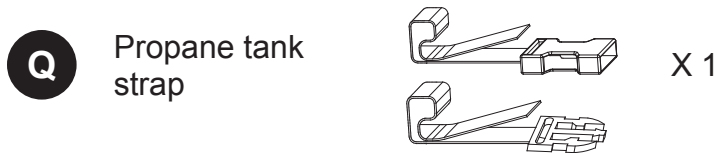
- |           |                      |   |      |
|-----------|----------------------|---|------|
| <b>DD</b> | Bolt M6 X 12         |  | X 12 |
| <b>CC</b> | Nut M6               |  | X 8  |
| <b>FF</b> | Phillips screwdriver |  | X 1  |
| <b>GG</b> | Wrench               |  | X 1  |



## ASSEMBLY INSTRUCTIONS

4. Attach propane tank strap (Q) to bottom plate (L).

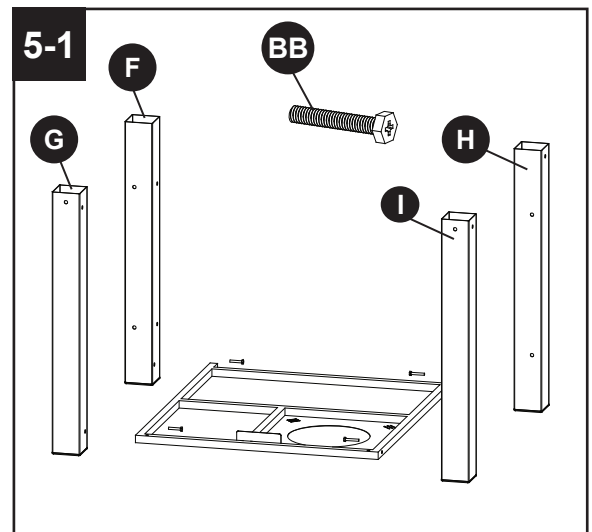
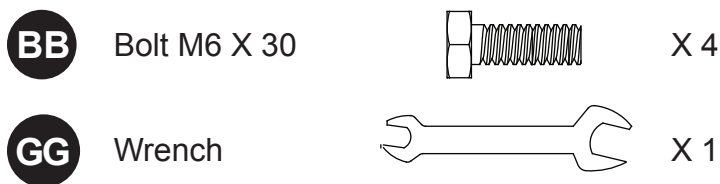
### Hardware Used



5. Bracket Post Installation.

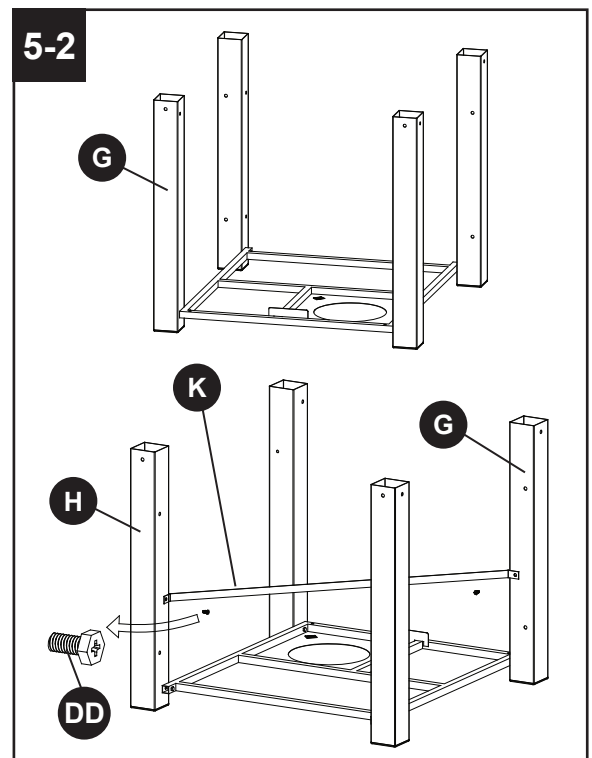
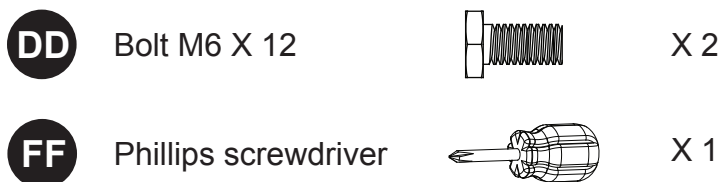
5-1. Attach four bracket posts (F, G, H, I) to the bottom plate with four M6 X 30 bolts (BB). Make sure to keep front brackets in front and back brackets in back. The tank hole on the bottom plate should be in the front as pictured.

### Hardware Used



5-2. After assembly, attach the bracket posts (G, H) and gas cylinder block belt (K) with two M6 X 12 bolts (DD).

### Hardware Used



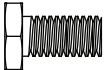
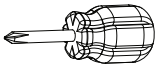
## ASSEMBLY INSTRUCTIONS

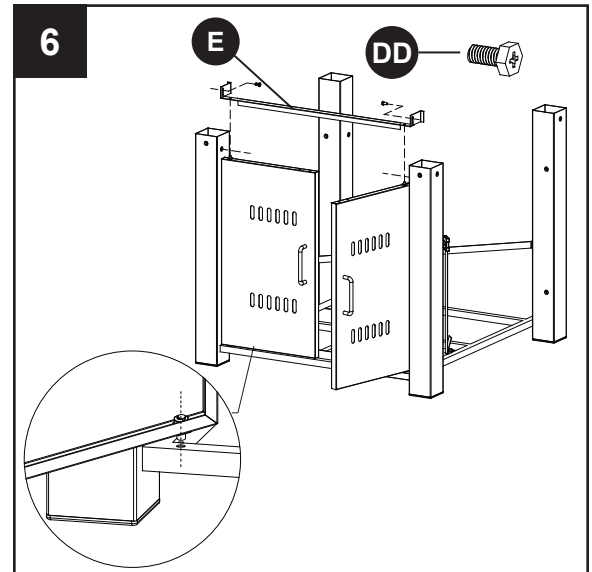
### 6. Door Installation.

Attach two doors like figure 6 shows. Insert the bolts into the holes of the base directly. Put door bracket (E) above two doors. Fasten the door bracket with two M6 X 12 bolts (DD).

Do not put door bracket too close to the doors to ensure that both doors can open easily.

#### Hardware Used

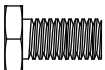
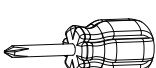
<b>DD</b>	Bolt M6 X 12		X 2
<b>FF</b>	Phillips screwdriver		X 1

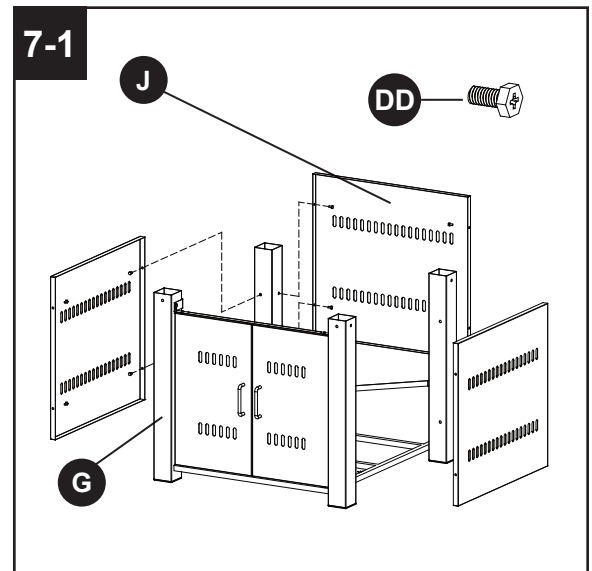


### 7. Side panel (J) Installation.

7-1. Attach three side panels (J) to the bracket posts (F,G,H,I) with 12 M6 X 12 bolts (DD).

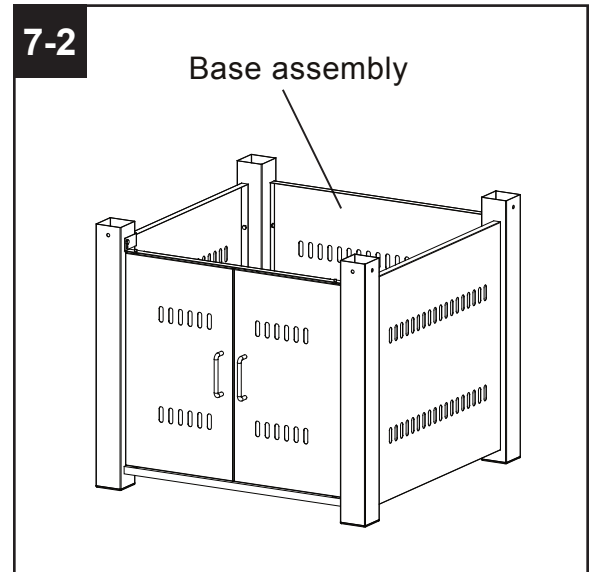
#### Hardware Used

<b>DD</b>	Bolt M6 X 12		X 12
<b>FF</b>	Phillips screwdriver		X 1



## ASSEMBLY INSTRUCTIONS

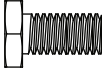
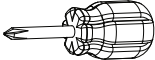
7-2. After assembly, the base assembly will look like figure 7-2.

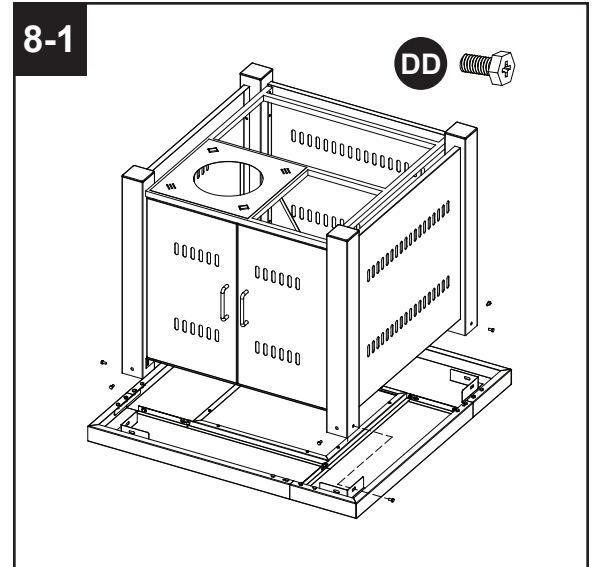


### 8. Table Installation

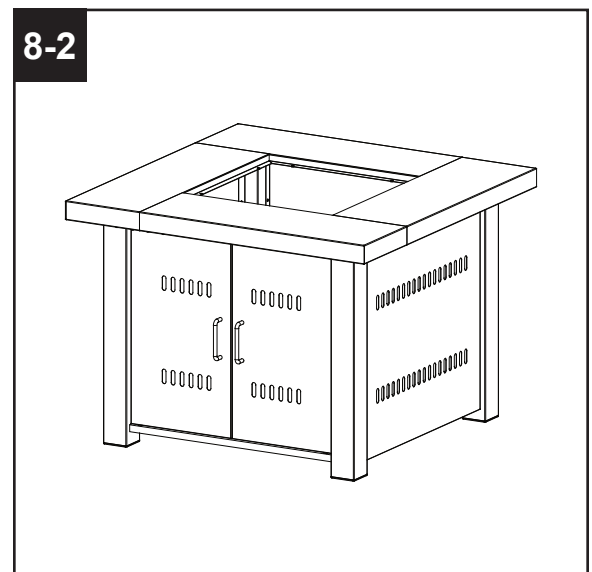
8-1. Lay assembled table upside down on floor. Line up holes in assembled table with corresponding holes in base assembly. Insert eight M6 X 12 bolts (DD) through holes. Tighten them.

#### Hardware Used

<b>DD</b>	Bolt M6 X 12		X 8
<b>FF</b>	Phillips screwdriver		X 1



8-2. After assembly, the unit will look like figure 8-2.



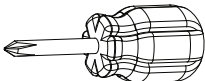
## ASSEMBLY INSTRUCTIONS

### 9. Burner Assembly Installation

9-1. Line up holes in the burner assembly (B) with corresponding holes in the table assembly. Insert four M5X12 screws (EE) through holes. Fasten them. The control knob should face the front side of the unit, the same as the door.

#### Hardware Used

**EE** Screw M5 X 12  X 4

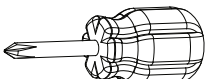
**FF** Phillips screwdriver  X 1

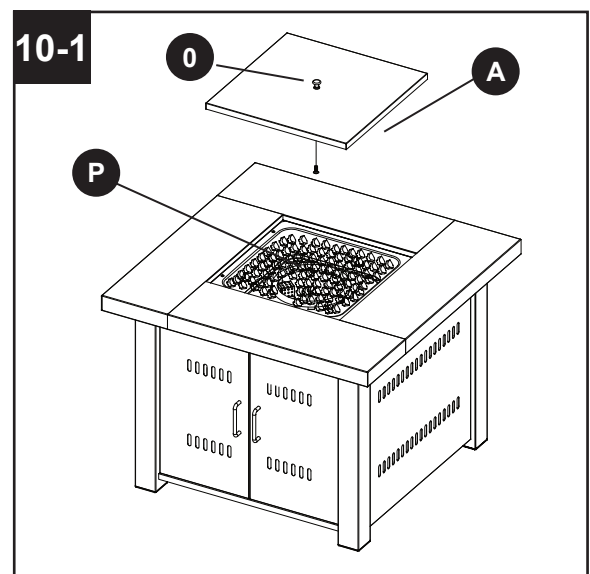
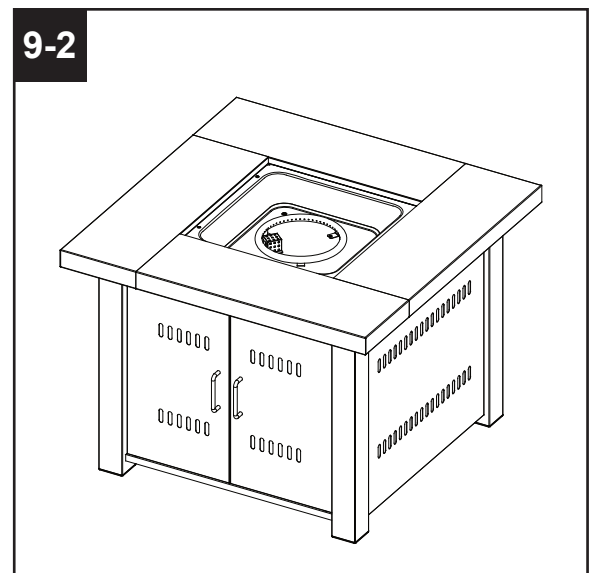
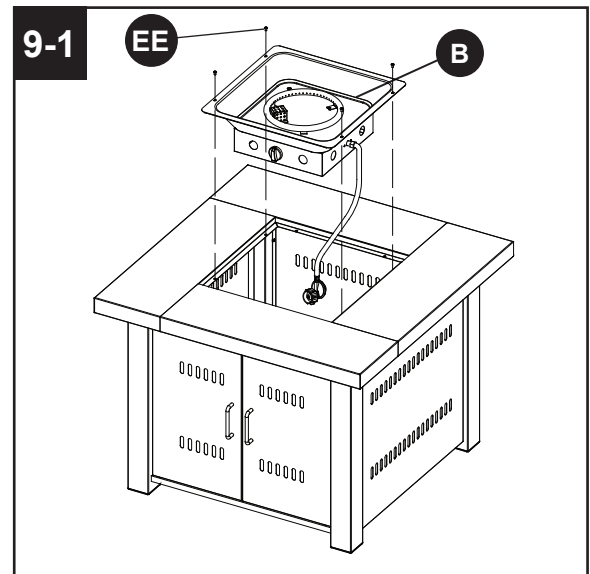
9-2. The assembled unit will look like the figure 9-2.

10-1. Screw the knob (O) on the table lid (A) with M4 X 5 screw (AA). Pour glass rocks (one pack) (P) above the burner and put the table lid above the burner assembly. Do not cover ignition screen with glass rocks.

#### Hardware Used

**AA** Screw M4 X 5  X 1

**FF** Phillips screwdriver  X 1



## ASSEMBLY INSTRUCTIONS

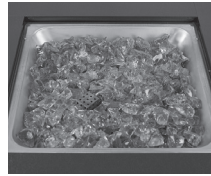
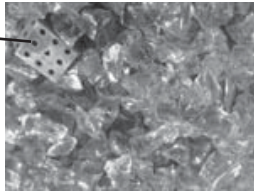
10-2. Total fire pit installation complete.

### **! WARNING**

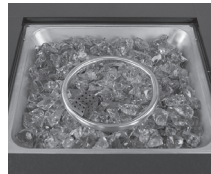
DO NOT COVER THE IGNITION SCREEN when placing the glass rocks into the fire bowl. Always keep Ignition Screen visible. This screen must be clear and free of obstructions at all times to insure proper operation.

Screen

Do not place glass on screen.  
Keep screen clear.



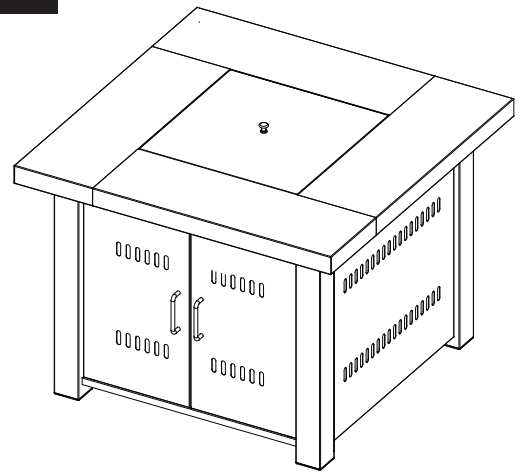
CORRECT



INCORRECT

The burner of the firebowl must be covered by glass rocks completely. Otherwise the flame may be extinguished occasionally. See the Figure CORRECT and INCORRECT for reference.

10-2



**ATTENTION:** THIS PRODUCT IS NOT FOR COMMERCIAL USE. INTENDED FOR RESIDENTIAL USE ONLY.

**Use a glove when handling glass rocks.**

**Do not sit or stand on this table.**

**Keep children away during assembly. This item contains small parts which can be swallowed by children.**

**Do not use indoors and inside any enclosure.**

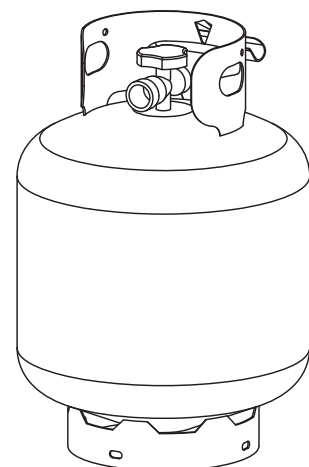
**Retain the assembly instruction for future reference.**

**Installer — Please leave these instructions with the owner.**

11. Use only 20-pound cylinders (height: 18.11 inches/ 46cm, tank diameter: 9.84 inches/ 24.99 cm, foot diameter: 8.03 inches/ 20.4 cm) equipped with a cylinder connection device compatible with the connection for the hose regulator supplied with this appliance. Propane gas and cylinder are sold separately.

A dented, rusted or damaged propane cylinder may be hazardous and should be checked by your cylinder supplier. Never use a propane cylinder with a damaged valve connection.

11



Standard 20 lb. tank



## ASSEMBLY INSTRUCTIONS

---

The propane cylinder must be constructed and marked in accordance with the specifications for LP gas cylinders of the U.S. Department of Transportation (DOT) or the standard for cylinders, spheres and tubes for transportation of dangerous goods and commission, CAN/CSA-B339.

The cylinder must have a listed overfilling prevention device.

The cylinder must have a connection device compatible with the connection for the appliance.

Never connect an unregulated propane cylinder to this appliance.

The cylinder must include a collar to protect the cylinder valve. The gas cylinder should not be dropped or handled roughly.

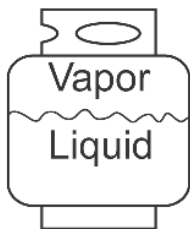
If the appliance is not in use, the gas cylinder must be disconnected. Storage of an appliance indoors is permissible ONLY if the cylinder is disconnected and removed from the appliance. Cylinders must be stored outdoors out of the reach of children and must not be stored in a building, garage or any other enclosed area. Your cylinder must never be stored where temperatures can reach over 125°F / 51.5°C.

## ASSEMBLY INSTRUCTIONS

The maximum inlet gas supply pressure: 250 psi /1750 kPa. The minimum inlet gas supply pressure: 5 psi /35kPa. The minimum hourly of 10000 Btu /2.93 kW is required input rating for an appliance for automatic operation at ratings less than full input rating.

Place a dust cap on cylinder valve outlet whenever the cylinder is not in use. Only install the type of dust cap on the cylinder valve outlet that is provided with the cylinder valve. Other types of caps or plugs may result in leakage of propane.

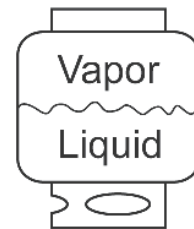
DO NOT obstruct the flow of combustion air and ventilation air to the fire pit. The propane cylinder must be arranged for vapor withdrawal and equipped with a listed overfilling prevention device. Please use the proper cylinder orientation to provide vapor withdrawal. NOTE: The cylinder must be fully upright for the cylinder to have vapor withdrawal only.



CORRECT



WRONG



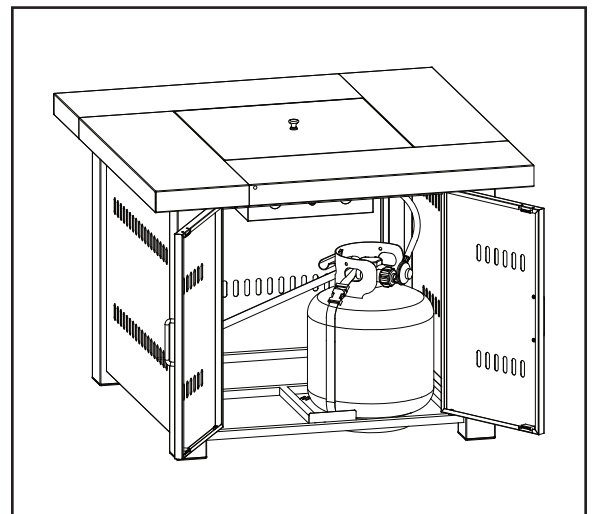
WRONG

### ⚠ CAUTION

- Do not store a spare LP-gas cylinder under or near this appliance.
- Never fill the cylinder beyond 80 percent full.
- If the information in (a) and (b) is not followed exactly, a fire causing death or serious injury may occur.

The pressure regulator and hose assembly supplied with the appliance must be used. The installation must conform with local codes, or in the absence of local codes, with national fuel gas code, ANS Z223.1/NFPA54, natural gas and propane Installation Code, CSA B149.1, or propane storage and handling code, B149.2.

- Seat and position propane cylinder in the Bottom Plate (L) and fasten cylinder with strap as shown in the figure.





## OPERATION INSTRUCTIONS

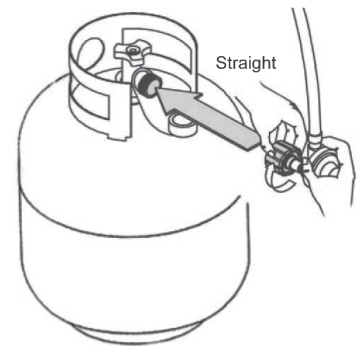
Before connection, be sure that there is no debris caught in the outlet of the gas cylinder, outlet of the regulator valve or in the outlet of the burner and burner ports. Keep the propane cylinder valve closed and disconnect the propane cylinder from the regulator valve when the fire pit is not in use.



### **⚠ WARNING**

**ALL INSTRUCTIONS AND SAFEGUARDS ON THIS PAGE MUST BE FOLLOWED TO PREVENT FIRE, DAMAGE AND/OR INJURY.**

### CONNECTING THE LP TANK

1. The knob on the LP tank must be closed. Make sure that the knob is turned  clockwise to a full stop. The cylinder supply system must be arranged for vapor withdrawal.
2. Check that the control knob on the control unit is turned off.
3. Remove the protective cap from the LP tank valve and coupling nut.
4. Hold the regulator in one hand and insert the nipple into the valve outlet. Be sure the nipple is centered in the valve outlet. The coupling nut connects to the large outside threads on the valve outlet. Use care – do not cross thread the connection.
5. Hand-tighten the coupling nut  clockwise until it comes to a full stop. Firmly tighten by hand only. Do not use tools.



**To Disconnect:** Fully close the tank valve by turning  clockwise. Turn the coupling nut  counterclockwise until the regulator assembly detaches.

### **⚠ WARNING**

**In the connection process, make sure:**

- the regulator inlet connector mates with the cylinder valve outlet properly, safely and firmly, and;
- the LP gas hose does not come in contact or remain in contact with the burner assembly.

### CHECKING FOR LEAKS

After all connections are made, check all connections and fittings on the LP gas tank valve, gas hose and regulator for leaks with a water and soap solution.

To prevent fire or explosion while testing for a leak:

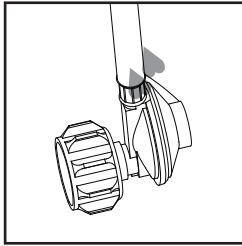
- Always perform a leak test prior to lighting the fire pit.
- Do not smoke while testing for a leak.
- Always perform leak tests outdoors in a well-ventilated area.
- Do not use any source of flame while testing for leaks.
- Do not use the fire pit until any and all leaks are corrected.
- If you are unable to correct a leak, disconnect the propane supply and call a gas appliance service dealer.

## OPERATION INSTRUCTIONS

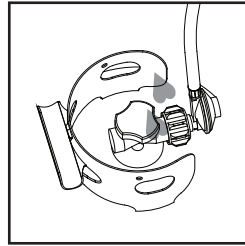
### LEAK CHECK

#### ⚠ WARNING

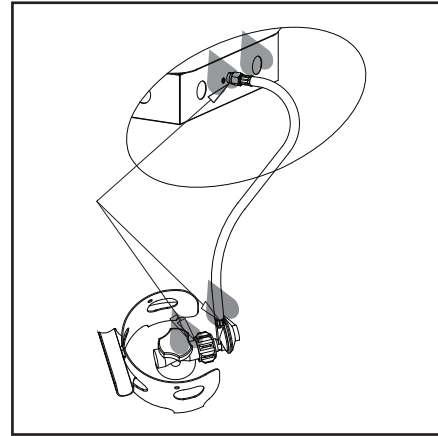
- Perform all leak tests outdoors.
- Extinguish all open flames.
- NEVER leak test when smoking.
- Do not use the fire pit until all connections have been leak tested and do not leak.



Hose/Regulator  
connection



Regulator/Cylinder  
connection



1. Make 2-3 oz. of leak check solution (one part liquid dishwashing detergent and three parts water).
2. Put leak solution in a spray bottle.
3. Make sure cylinder valve and control valve are OFF.
4. Apply several drops of solution where hose attaches to regulator.
5. Apply several drops of solution where regulator connects to cylinder.
6. Turn cylinder valve ON.

**If bubbles appear at any connection, there is a leak.**

1. Turn cylinder valve OFF.
2. If leak is at hose/regulator connection: tighten connection and perform another leak test. If bubbles continue appearing, the hose should be returned to the place of purchase.
3. If leak is at regulator/cylinder valve connection: disconnect, reconnect, and perform another leak check. If you continue to see bubbles after several attempts, cylinder valve is defective and should be returned to cylinder's place of purchase.

**If NO bubbles appear at any connection, the connections are secure.**

**Note:** Whenever gas connections are loosened or removed, you must perform a complete leak test.

Complete installation.

#### ⚠ DANGER

**NEVER USE A LIGHTER/FLAME TO CHECK FOR GAS LEAKS.**

## OPERATION INSTRUCTIONS

---

**Note:** Other cylinders may be acceptable for use with this appliance provided they have the same profile and dimensions to be compatible with the appliance nesting hole and retention means.

**Caution:** Do not attempt to operate until you have read and understand all General Safety Information in this manual and all assembly is complete and leak checks have been performed.

### Before Turning Gas Supply ON:

1. Your fire pit was designed and approved for outdoor use only. Do NOT use it inside a building, garage, or any other enclosed area.
2. Make sure surrounding areas are free of combustible materials, gasoline, and other flammable vapors or liquids.
3. Ensure that there is no obstruction to air ventilation. Be sure all gas connections are tight and there are no leaks.
4. Be sure the cylinder cover is clear of debris. Be sure any component removed during assembly or servicing is replaced and fastened prior to starting.

### Before Lighting:

1. Fire pit should be thoroughly inspected before each use, and by a qualified service person at least annually. If relighting a hot fire pit, always wait at least 5 minutes.
2. Inspect the hose assembly for evidence of excessive abrasion, cuts, or wear. Suspected areas should be leak tested. If the hose leaks, it must be replaced prior to operation. Only use the replacement hose assembly specified by manufacturer.

### Lighting:

1. Turn the control knob to the “OFF” (○) position (Figure a).
2. Fully open LP cylinder valve.
3. Push in gas control knob and turn counterclockwise to “IGNITER” (⚡) (Figure b) to light the fire pit.  
If needed, keep depressing and turning control knob counterclockwise until the fire pit lights (You should hear a clicking sound).
4. After fire pit lights, release control knob. Push in and turn the control knob to the “HIGH” (🔥), then release control knob. If you want a lower temperature, push in the control knob and turn counterclockwise to the “LOW” (↖) (Figure c).

**Note:** If burner fails to remain lit, all valves should be closed and a waiting period of at least 5 minutes should pass before attempting to light.

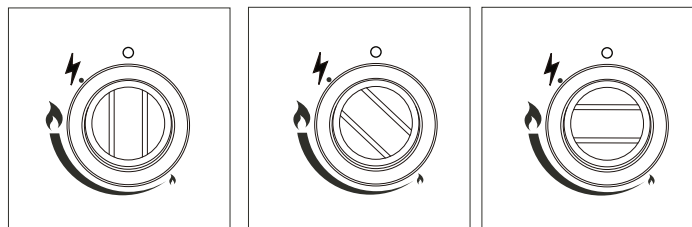


Figure a

Figure b

Figure c

### **WARNING**

#### **FOR YOUR SAFETY**

Be careful when attempting to manually ignite this fire pit. Holding in the control knob for more than 10 seconds before igniting the gas will cause a ball of flame upon ignition.

#### **When fire pit is ON:**

Burner will display tongues of blue and yellow flame. These flames should not be yellow or produce thick black smoke, indicating an obstruction of airflow through the burners. The flame should be blue with straight yellow tops. If excessive yellow flame is detected, turn off propane tank and fire pit and consult “Care and Maintenance” on page 24.

#### **Re-lighting:**

1. Turn control knob to OFF (○).
2. Repeat the “Lighting” steps on prior page.
3. When relighting a hot fire pit, always wait at least 5 minutes.

### **WARNING**

#### **FOR YOUR SAFETY**

Fire pit will be hot after use. Handle with extreme care.

#### **Turning off the burner:**

Push the control knob and turn to the “OFF” (○) position.

#### **Disconnecting the propane cylinder:**

1. Make sure the control knob is in the OFF (○) position and wait 45 minutes until the appliance is cool.
2. Turn off cylinder valve, then disconnect the hose regulator from the cylinder.
3. Store the cylinder in a proper location.

## OPERATION INSTRUCTIONS

---

### Operation Checklist

For a safe and pleasurable heating experience, perform this check before each use.

#### Before Operating:

1. I am familiar with entire owner's manual and understand all precautions noted.
2. All components are properly assembled, intact and operable.
3. No alterations have been made.
4. All gas connections are secure and do not leak.
5. Wind velocity is below 10 mph/ 16 km/h.
6. Unit will operate at reduced efficiency below 40°F / 4°C.
7. Fire pit is outdoors (outside any enclosure).
8. There is adequate fresh air ventilation.
9. Fire pit is away from gasoline or other flammable liquids or vapors.
10. Fire pit is away from windows, air intake openings, sprinklers and other water sources.
11. Fire pit is at least 24 inches/60.96 cm from sides and 72 inches/182.88 cm below combustible materials.
12. Fire pit is on a hard and level surface.
13. There are no signs of spider or insect nests.
14. All burner passages are clear.
15. All air circulation passages are clear.
16. Children and adults should be alerted to the hazards of high surface temperatures and should stay away to avoid burns or clothing ignition.
17. Young children should be carefully supervised when they are in the area of the fire pit.
18. Clothing or other protective material should not be hung from the fire pit, or placed on or near the fire pit.
19. Any guard or other protective device removed for servicing the fire pit must be replaced prior to operating the fire pit.
20. Installation and repair should be done by a qualified service person. The fire pit should be inspected before use and at least annually by a qualified service person.
21. More frequent cleaning may be required as necessary. It is imperative that control compartment, burner and circulating air passageways of the fire pit be kept clean.

#### After Operation:

1. Gas control valve is in OFF (○) position.
2. Gas Tank valve is OFF.
3. Disconnect hose regulator from propane cylinder.

### **WARNING**

#### **FOR YOUR SAFETY**

- Do NOT touch or move fire pit for at least 45 minutes after use.

To enjoy years of outstanding performance from your fire pit, make sure you perform the following maintenance activities on a regular basis:

Keep exterior surfaces clean.

1. Use warm soapy water for cleaning. Never use flammable or corrosive cleaning agents.
2. While cleaning your fire pit, be sure to keep the area around the burner dry at all times. Do not submerge the control valve assembly. If the gas control is submerged in water, do NOT use it. It must be replaced.
  - a. Keep the appliance area clear and free from combustible materials, gasoline and other flammable vapors and liquids.
  - b. Do not obstruct the flow of combustion and ventilation air.
  - c. Keep the ventilation opening(s) of the cylinder enclosure free and clear from debris.
3. Air flow must be unobstructed. Keep controls, burner, and circulating air passageways clean. Signs of possible blockage include:
  - Gas odor with extreme yellow tipping of flame.
  - Fire pit does NOT reach the desired temperature.
  - Fire pit glow is excessively uneven.
  - Fire pit makes popping noises.
  - Spiders and insects can nest in burner or orifices. This dangerous condition can damage fire pit and render it unsafe for use. Clean burner holes by using a heavy-duty pipe cleaner. Compressed air may help clear away smaller particles.
  - Carbon deposits may create a fire hazard. Clean dome and ignition screen with warm soapy water if any carbon deposits develop.



**Note:** *In a salt-air environment (such as near an ocean), corrosion occurs more quickly than normal. Frequently check for corroded areas and repair them promptly.*

#### **TIP:**

Use high-quality automobile wax to help maintain the appearance of your fire pit.



## CARE AND MAINTENANCE

---

### Storage

Between uses:

- Turn control valve and cylinder valve off.
- Disconnect the hose regulator from propane cylinder.
- Store fire pit upright in an area sheltered from direct contact with inclement weather (such as rain, sleet, hail, snow, dust and debris).
- If desired, cover fire pit to protect exterior surfaces and to help prevent build-up in air passages.

**Note:** *Wait until fire pit is cool before covering.*

### During periods of extended inactivity or when transporting:

- Turn control valve and cylinder valve off.
- Disconnect the hose regulator and move propane cylinder to a secure, well-ventilated location outdoors.
- Store fire pit upright in an area sheltered from direct contact with inclement weather (such as rain, sleet, hail, snow, dust and debris).
- If desired, cover fire pit to protect exterior surfaces and to help prevent build-up in air passages. Never leave LP cylinder exposed to direct sunlight or excessive heat.

**Note:** *Wait until fire pit is cool before covering.*

### Service

Only a qualified service person should repair gas passages and associated components.

**Caution:** *Always allow fire pit to cool before attempting service.*

## ONE YEAR LIMITED WARRANTY

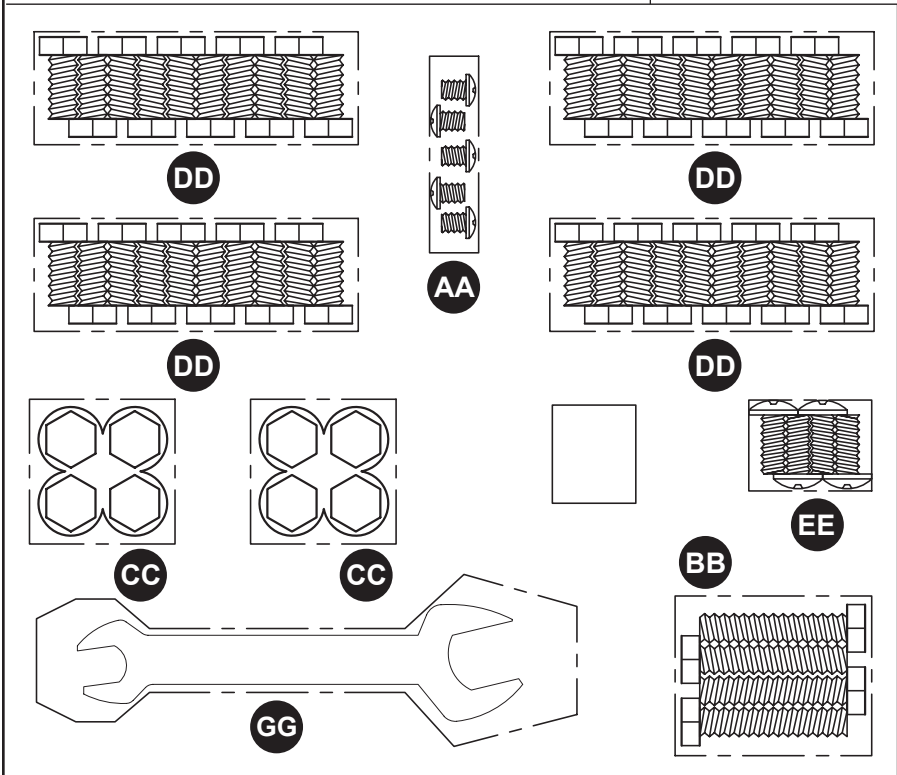
---

If within one year from the date of original purchase, this item fails due to a defect in material or workmanship, we will replace or repair at our option, free of charge. To order parts or to obtain warranty service, call 1-877-447-4768, 8:30AM – 4:30PM, CST, Monday – Friday. This warranty does not cover defects resulting from improper or abnormal use, misuse, accident, or alteration. Failure to follow all instructions in the owner's manual will also void this warranty. The manufacturer will not be liable for incidental or consequential damages, or common erosion of outdoor products. Some states do not allow the exclusion or limitation of incidental or consequential damages, so the above limitation may not apply to you. This warranty gives you specific legal rights, and you may also have other rights which vary from state to state.

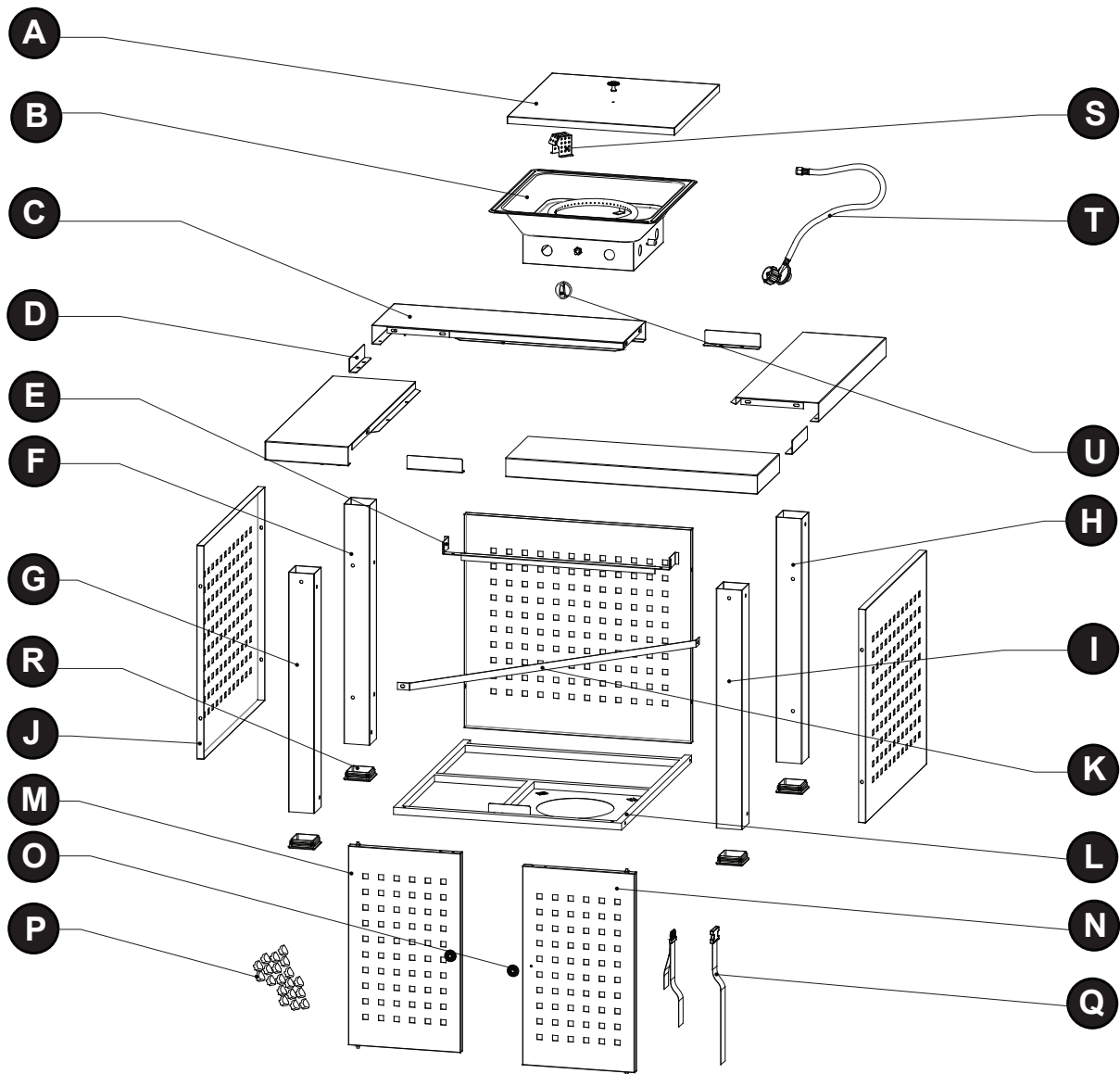
## TROUBLESHOOTING

PROBLEM	POSSIBLE CAUSE	CORRECTIVE ACTION
Burner won't light	Propane cylinder is frosted over	Wait until the propane cylinder warms up and becomes unfrosted
	Blockage in orifice	Clear blockage
	Control knob is not in ON position	Turn control knob to ON
Burner flame is low	Gas pressure is low	Turn cylinder valve OFF and replace cylinder
	Outdoor temperature is less than 40°F /4°C and tank is less than 1/4 full	Use a full cylinder
	Control knob fully ON	Check burner and orifices for blockage
Carbon build-up	Dirt or film on ignition screen	Clean ignition screen
Thick black smoke	Blockage in burner	Remove blockage and clean burner inside and outside

# HARDWARE PACK

DESCRIPTION	PART #
Hardware Pack	30-09-118
 <p>The diagram illustrates the components of the hardware pack. It includes several sets of springs (labeled DD), a set of washers (labeled AA), two sets of hexagonal nuts (labeled CC), a set of square nuts (labeled BB), a set of square washers (labeled EE), and a large wrench (labeled GG). The components are arranged in a grid-like fashion, with some items shown in multiple quantities.</p>	<p>Model/Modelo/Modèle            OFG418TA/OFG900T/OFG901T</p> <p>Questions, problems, missing parts?            Before returning to your retailer,            call our customer service department            at 1-877-447-4768, 8:30 a.m. -            4:30 p.m., CST, Monday - Friday.</p> <p>¿Preguntas, problemas, piezas            faltantes? Antes de volver a la tienda,            llame a nuestro Departamento de            Servicio al Cliente al 1-877-447-4768,            de lunes a viernes de 8:30 a.m. a            4:30 p.m., hora central estándar.</p> <p>Des questions, des problèmes,            des pièces manquantes? Avant de            retourner l'article au détaillant,            appelez notre service à la clientèle            au 1 877 447-4768, entre 8 h 30 et            16 h 30 (HNC), du lundi au vendredi.</p> <p>30-09-118</p>

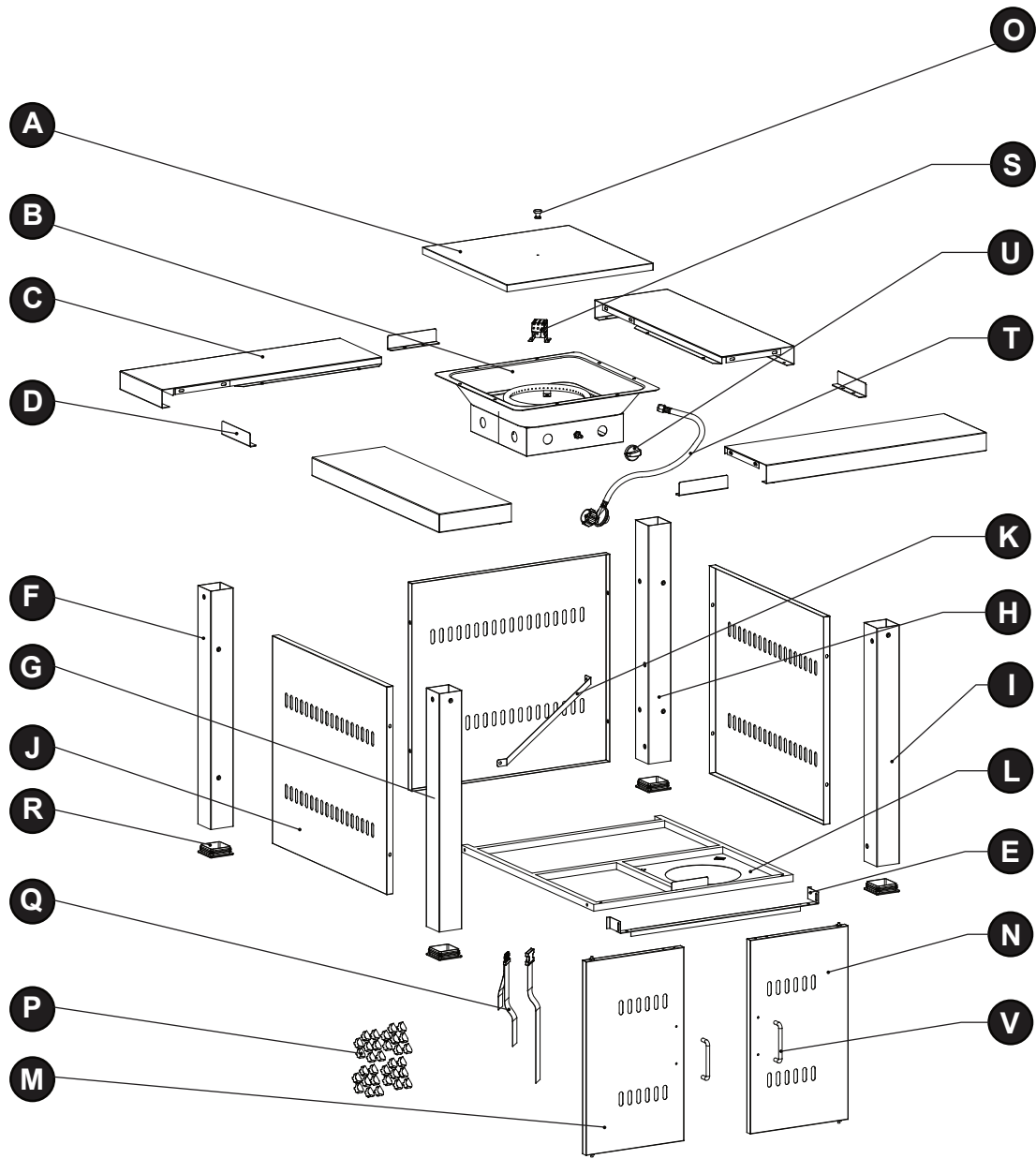
# REPLACEMENT PARTS LIST OFG418TA



PART	DESCRIPTION	QTY.	PART NO.
A	Table Lid	1	30-06-309
B	Burner Assembly	1	30-06-310
C	1/4 Table	4	30-06-311
D	Angle Iron	4	30-06-312
E	Door Bracket	1	30-06-313
F	Back Bracket Post (Left)	1	30-06-314
G	Front Bracket Post (Left)	1	30-06-315
H	Back Bracket Post (Right)	1	30-06-316
I	Front Bracket Post (Right)	1	30-06-317
J	Side Panel	3	30-06-318
K	Gas Cylinder Block Belt	1	30-06-319

PART	DESCRIPTION	QTY.	PART NO.
L	Bottom Plate	1	30-06-320
M	Door (Left)	1	30-06-321
N	Door (Right)	1	30-06-322
O	Knob	1	30-06-323
P	Amber Glass (One Pack)	1	30-06-324
Q	Propane Tank Strap	1	30-06-325
R	Leg Tube Cap	1	30-06-326
S	Screen	1	30-06-327
T	Regulator and Gas Hose	1	30-06-329
U	Control Knob	1	30-06-328
HWP	Hardware Pack	1	30-09-118

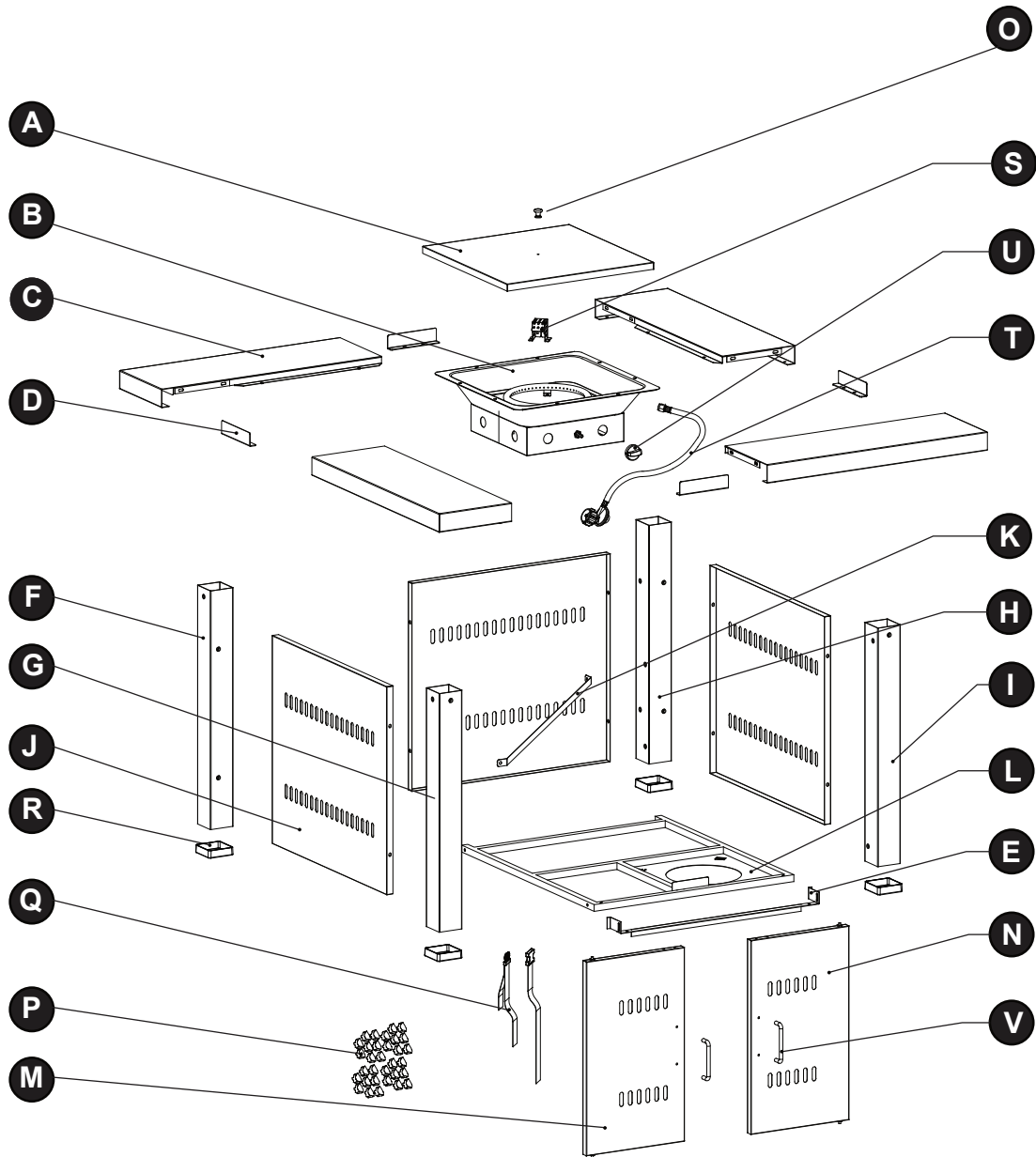
# REPLACEMENT PARTS LIST OFW900T



PART	DESCRIPTION	QTY.	PART NO.
A	Table Lid	1	30-06-350
B	Burner Assembly	1	30-06-310
C	1/4 Table	4	30-06-351
D	Angle Iron	4	30-06-352
E	Door Bracket	1	30-06-360
F	Back Bracket Post (Left)	1	30-06-354
G	Front Bracket Post (Left)	1	30-06-355
H	Back Bracket Post (Right)	1	30-06-356
I	Front Bracket Post (Right)	1	30-06-357
J	Side Panel	3	30-06-358
K	Gas Cylinder Block Belt	1	30-06-353

PART	DESCRIPTION	QTY.	PART NO.
L	Bottom plate	1	30-06-359
M	Door (Left)	1	30-06-361
N	Door (Right)	1	30-06-362
O	Knob	1	30-06-334
P	Amber Glass (One Pack)	1	30-06-324
Q	Propane Tank Strap	1	30-06-325
R	Leg tube cap	1	30-06-326
S	Screen	1	30-06-327
T	Regulator and Gas Hose	1	30-06-329
U	Control Knob	1	30-06-328
V	Door Handle	2	30-06-335
HWP	Hardware Pack	1	30-09-118

# REPLACEMENT PARTS LIST OFW901T



PART	DESCRIPTION	QTY.	PART NO.
A	Table Lid	1	30-06-336
B	Burner Assembly	1	30-06-310
C	1/4 Table	4	30-06-337
D	Angle Iron	4	30-06-338
E	Door Bracket	1	30-06-346
F	Back Bracket Post (Left)	1	30-06-340
G	Front Bracket Post (Left)	1	30-06-341
H	Back Bracket Post (Right)	1	30-06-342
I	Front Bracket Post (Right)	1	30-06-343
J	Side Panel	3	30-06-344
K	Gas Cylinder Block Belt	1	30-06-339

PART	DESCRIPTION	QTY.	PART NO.
L	Bottom plate	1	30-06-345
M	Door (Left)	1	30-06-347
N	Door (Right)	1	30-06-348
O	Knob	1	30-06-334
P	Blue Glass (One Pack)	1	30-06-364
Q	Propane Tank Strap	1	30-06-325
R	Leg tube cap	1	30-06-365
S	Screen	1	30-06-327
T	Regulator and Gas Hose	1	30-06-329
U	Control Knob	1	30-06-328
V	Door Handle	2	30-06-335
HWP	Hardware Pack	1	30-09-118