



Item #1001-359-883
Model #HOTC5213B1OS

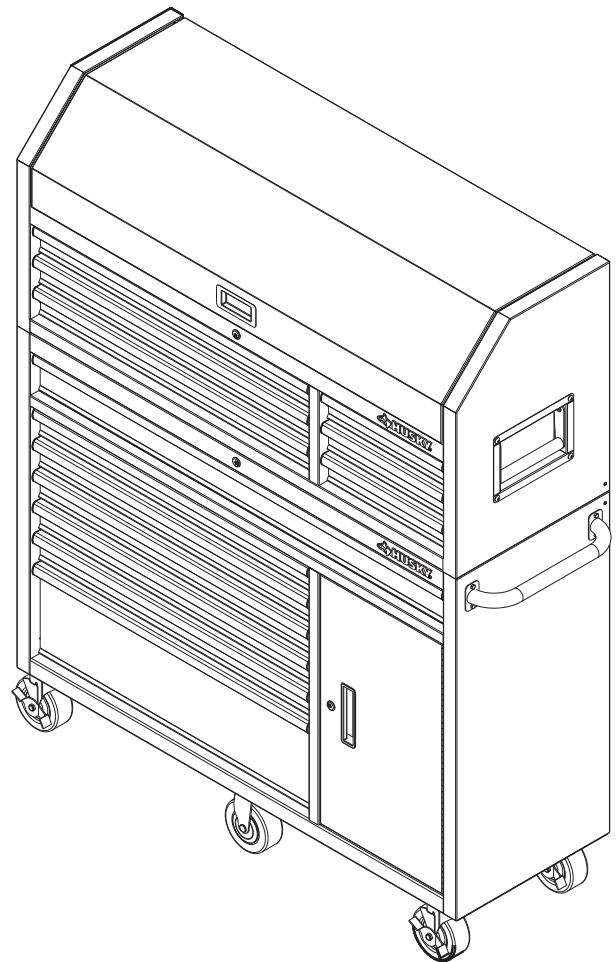
USE AND CARE GUIDE

52 IN. 13-DRAWER TOOL CHEST AND CABINET SET- BLACK POWDER COATED

Questions, problems, missing parts?
Before returning to the store, call
Husky Customer Service
8 a.m. - 7 p.m., EST, Monday-Friday,
9 a.m. - 6 p.m., EST, Saturday

1-888-43-HUSKY

HUSKYTOOLS.COM



THANK YOU

We appreciate the trust and confidence you have placed in Husky through the purchase of this chest/cabinet. We strive to continually create quality products designed to enhance your home. Visit us online to see our full line of products available for your home improvement needs. Thank you for choosing Husky!

Table of Contents

Table of Contents.....	2
Safety Information.....	2
Warranty.....	3
Pre-Assembly.....	4
Tools Required.....	4
Hardware Included.....	4
Specifications.....	4
Package Contents.....	5

Assembly.....	6
Operation.....	8
Maintenance.....	9
Care and Cleaning.....	9
Service Parts.....	10

Safety Information



DANGER: Do not open more than one drawer at a time.



CAUTION: Do not let children approach the tool chest / cabinet.



CAUTION: To help prevent the product from tipping, load the product starting with the bottom drawers.



WARNING: Keep the locking caster brakes set unless you are moving the cabinet. This will help to prevent the product from rolling.



WARNING: Lock both the lid and all drawers before moving the cabinet / chest.



DANGER: Do not step in any drawer / drawers.



DANGER: Do not pull the units, push them when moving.



CAUTION: Do not alter this product in any manner.



DANGER: Do not stand on this product. You may fall or cause the product to tip.



DANGER: Do not move the product prior to closing and locking all the drawers. The drawers could come open and make the product unstable and tip.



DANGER: Do not mount this product on a truck bed or any other moving object.



WARNING: Keep the product on a level surface. The product may become unstable and tip if stored or moved on an uneven surface.



WARNING: Be careful when closing the cover. Remove hands before closing the cover.



CAUTION: Do not lift this product directly with a forklift or tow with any mechanical devices.



CAUTION: Do not exceed the maximum loading capacity. Do not exceed the maximum weight for each drawer. See Specifications on page 4.



CAUTION: Only transport this product when empty. Properly secure when transporting.

Warranty

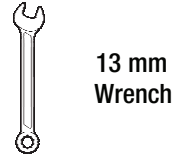
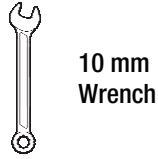
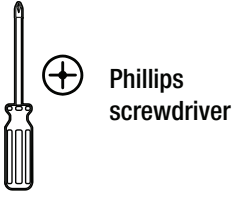
The manufacturer warrants the product to be free from defects in materials and workmanship for a period of three (3) years from date of purchase. This warranty applies only to the original consumer and only to products used in normal use and service. If this product is found to be defective, the manufacturer's only obligation, and your exclusive remedy, is the repair or replacement of the product at the manufacturer's discretion, provided that the product has not been damaged through misuse, abuse, accident, modifications, alteration neglect or mishandling. This warranty shall not apply to any product that is found to have been improperly installed, set-up, or used in any way not in accordance with the instructions supplied with the product. This warranty shall not apply to a failure of the product as a result of an accident, misuse, abuse, negligence, alteration, faulty installation, or any other failure not relating to faulty material or workmanship. This warranty shall not apply to the finish on any portion of the products such as surface and/or weathering, as this is considered normal wear and tear.

The manufacturer does not warrant and specifically disclaims any warranty, whether express or implied, of fitness for a particular purpose, other than the warranty contained herein. The manufacturer specifically disclaims any liability and shall not be liable for any consequential or incidental loss or damage, including but not limited to any labor/expense costs involved in the replacement or repair of said product.

Contact the Customer Service Team at 1-888-43-HUSKY or visit www.huskytools.com.

Pre-assembly

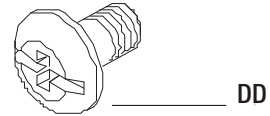
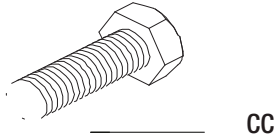
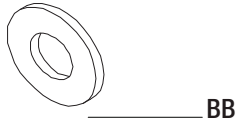
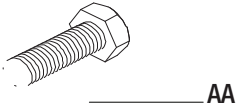
TOOLS REQUIRED



HARDWARE INCLUDED



NOTE: Hardware not shown to actual size.



Part	Description	Quantity
AA	Bolt M6x15L	4
BB	Washer M8	24
CC	Bolt M8x20L	24
DD	Screw M4x8L	8

SPECIFICATIONS

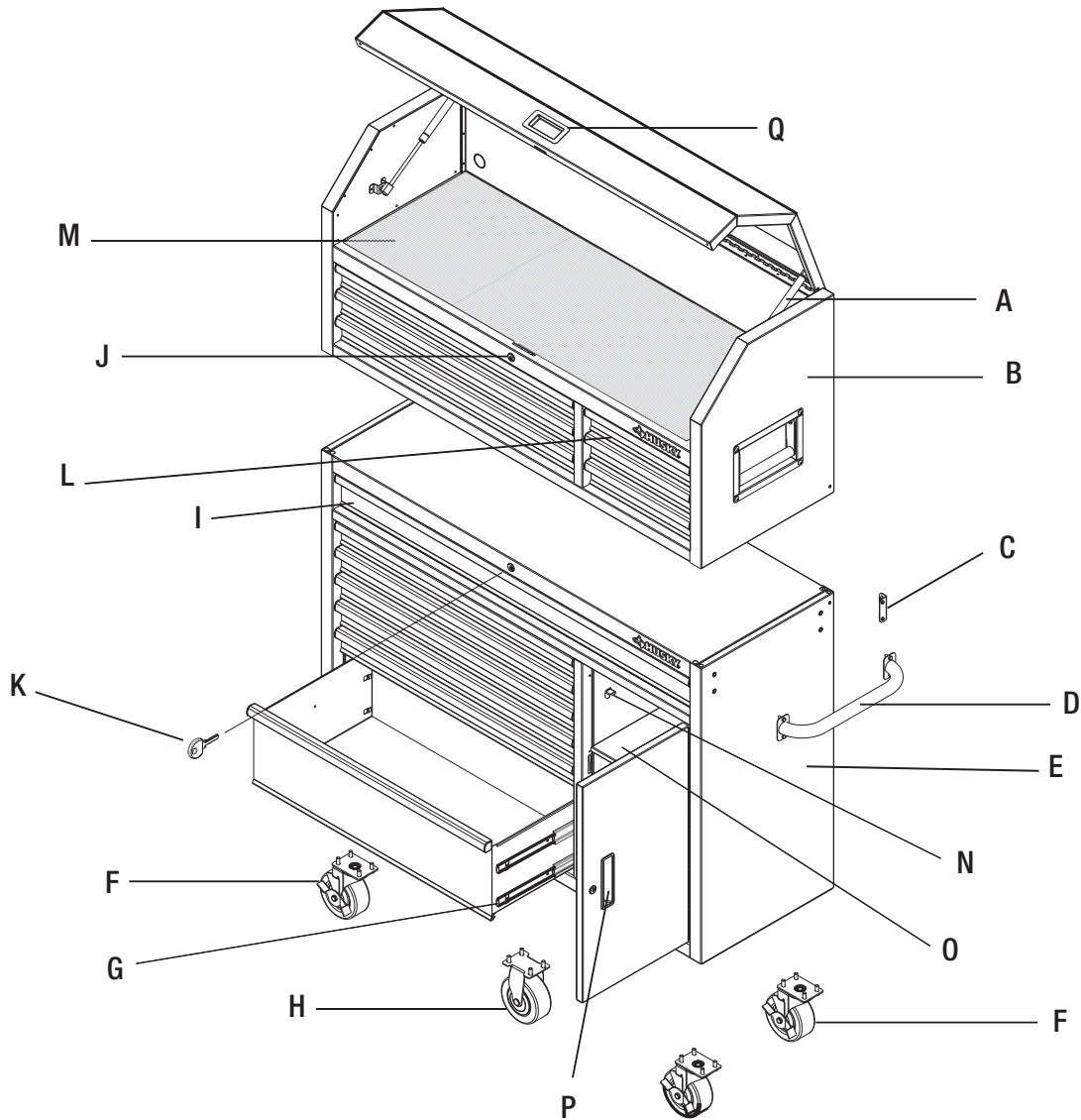
Maximum capacity (drawer)	100 lbs.
Maximum capacity (chest)	400 lbs.
Maximum capacity (cabinet)	1,000 lbs.
Total maximum load capacity	1,400 lbs.



NOTE: Begin product assembly close to the final intended location of your chest/cabinet. This product is heavy and may be difficult to move after assembly.

Pre-assembly (continued)

PACKAGE CONTENTS



Part	Description	Quantity
A	Gas lift	2
B	Top chest	1
C	Bracket	2
D	Side handle	1
E	Rolling cabinet	1
F	Swivel caster with brake	4
G	Drawer slide (pair)	14
H	Regular caster	2

Part	Description	Quantity
I	Drawer	13
J	Lock	3
K	Key (set)	2
L	Husky badge	2
M	Drawer liner	14
N	Shelf clips	4
O	Shelf	1
P	Door pull	1
Q	Chest lid handle	1

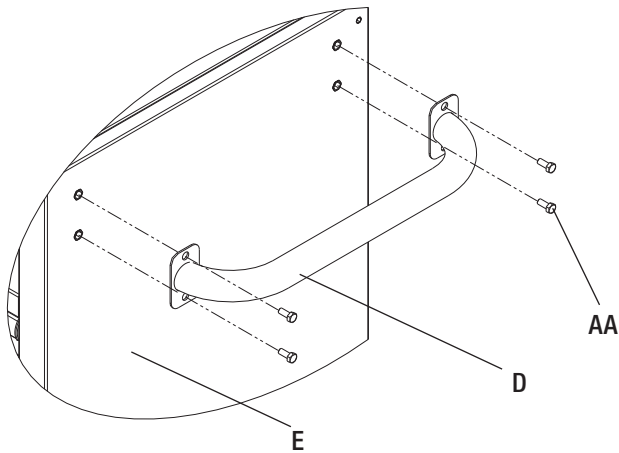
Assembly

1 Attaching the side handle

- Attach the side handle (D) to the rolling cabinet (E) using six bolts (AA).



NOTE: The holes in the cabinet are tapped and do not require nuts.

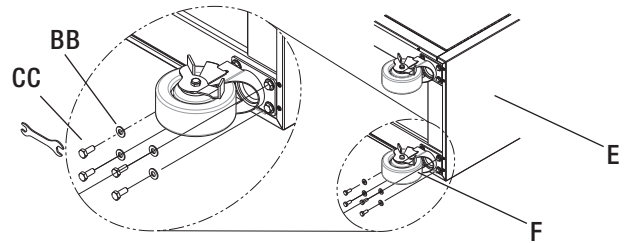


2 Installing the casters



CAUTION: Do not over tighten the screws.

- Ensure all cabinet drawers are securely locked into place using the key lock on the rolling cabinet (E).
- Lay the cabinet (E) on its back on top of the packaging material to protect the finish.
- Mount the four swivel casters with brake (F) to the rolling cabinet (E) using four bolts (CC) and washers (BB) per caster. The swivel casters with brake (F) should be installed on each end of the cabinet.
- Mount the two regular casters (H) to the center of the rolling cabinet (E) using four bolts (CC) and washers (BB) per caster.
- Tighten all bolts with a wrench.
- Return the rolling cabinet (E) to its upright position.

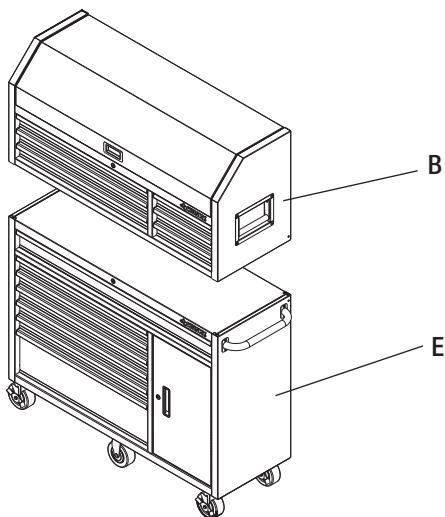


3 Placing the chest



NOTE: Two people may be required to complete this step.

- Place the top chest (B) on top of the rolling cabinet (E).

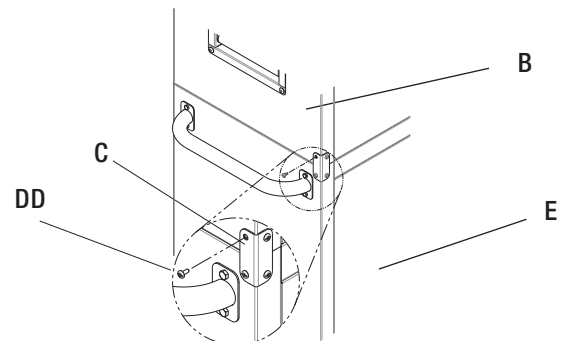


4 Installing the brackets



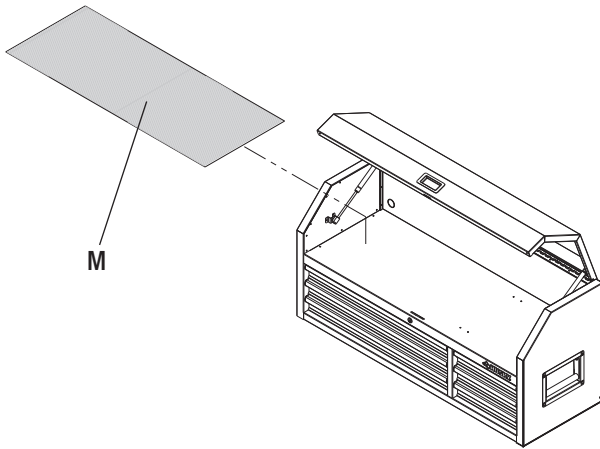
NOTE: The holes in the cabinet are tapped and do not require nuts.

- Attach the brackets (C) to the back of the product to secure the top chest (B) to the rolling cabinet (E). Place the brackets over the holes and secure with four screws (DD) per bracket.
- Tighten all screws securely with a screwdriver.



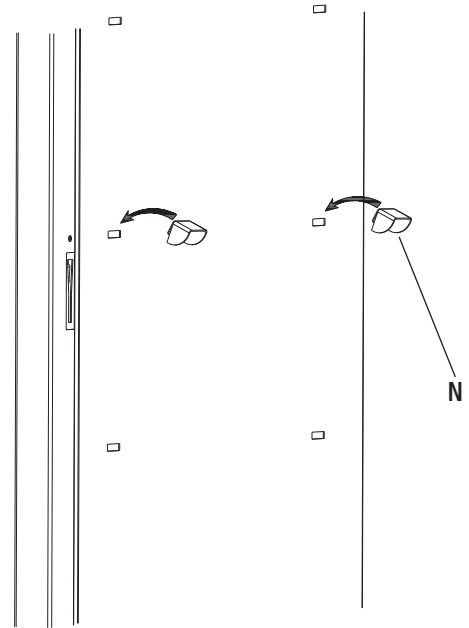
5 Installing the drawer liners

- Place the drawer liners (M) in appropriately-sized drawers and the chest lid area to protect the surface.



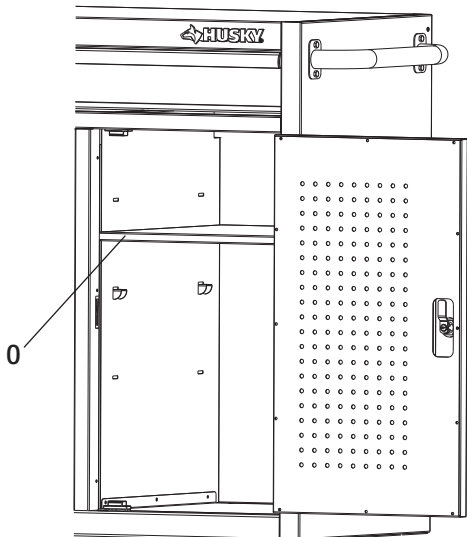
6 Installing the shelf brackets

- Install the four shelf brackets (N) inside the storage area at the desired shelf height location.
- Ensure all shelf brackets are aligned horizontally and are properly seated in the bracket slots.



7 Installing the shelf

- Install the shelf (O) inside the storage area so that it sits on top of the four shelf brackets (N) flush and level.



Operation

1 Locking and unlocking the unit

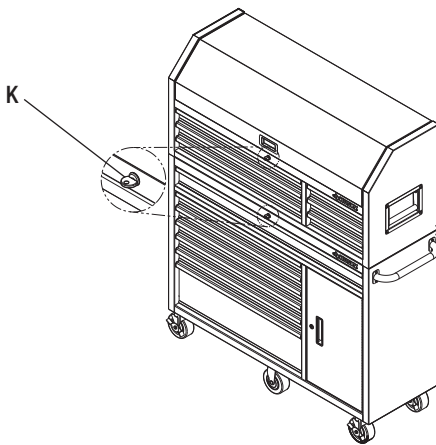


IMPORTANT: The drawers must be fully closed before locking / unlocking the unit.

- Insert the key (K) and turn it counterclockwise, one quarter turn to lock.
- Remove the key (K).
- Insert the key (K) and turn it clockwise, one quarter turn to unlock.
- Remove the key (K).

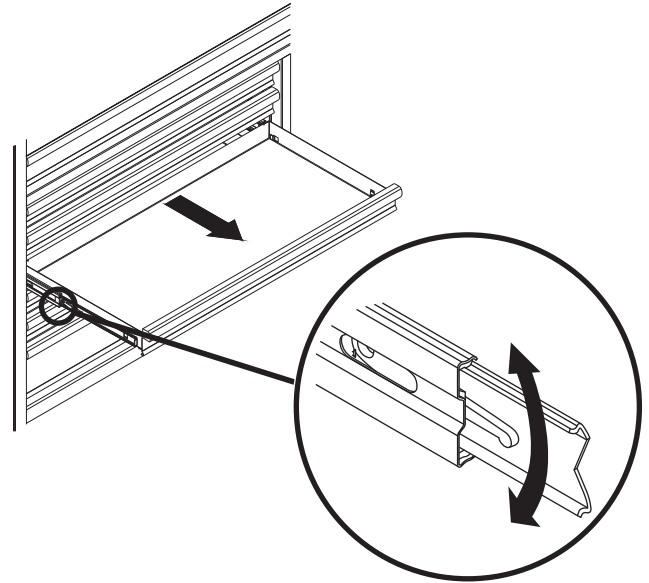


NOTE: Key codes for chest and cabinet will be different.



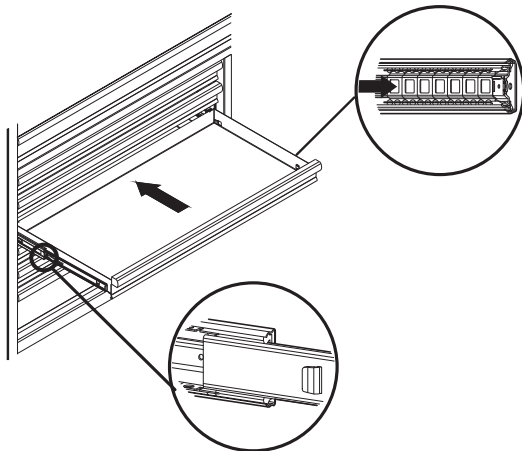
2 Removing the drawers

- Fully extend and empty the drawer.
- Depending on the slide, either lift or lower the release lever on both sides so the slides can ride over the stops. Pull out to remove.



3 Installing the drawers

- Pull the slides and slide carrier out until fully extended.
- Hold the slide on the cabinet while aligning it with the slide on the drawer.
- Slightly insert one side and repeat for the other side.
- Slowly push the drawer until it is fully closed to engage the slide.
- Open the drawer and close it to verify proper operation.

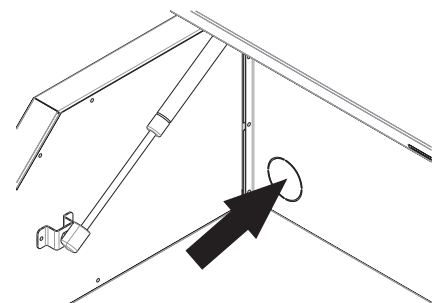


4 Preparing the electrical hole



WARNING: Be careful when putting your power cord through the hole since there may be sharp edges around the punched hole.

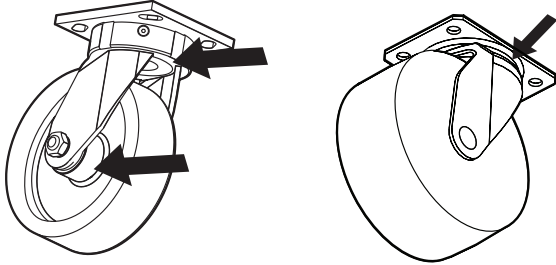
- A perforated hole is located in the back of the chest to allow for the use of a power cord while the chest top lid is closed.
- The perforation can be removed by pushing along the edge and twisting the disk until it pops free. Take care not to damage the cabinet around the perforation when punching the hole through.
- Use a metal file to smooth out any sharp edges around the hole to help prevent injury.



Maintenance

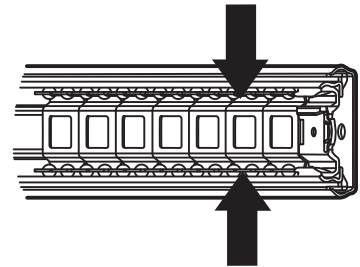
1 Maintaining the casters

- Grease the casters annually using high quality bearing grease.



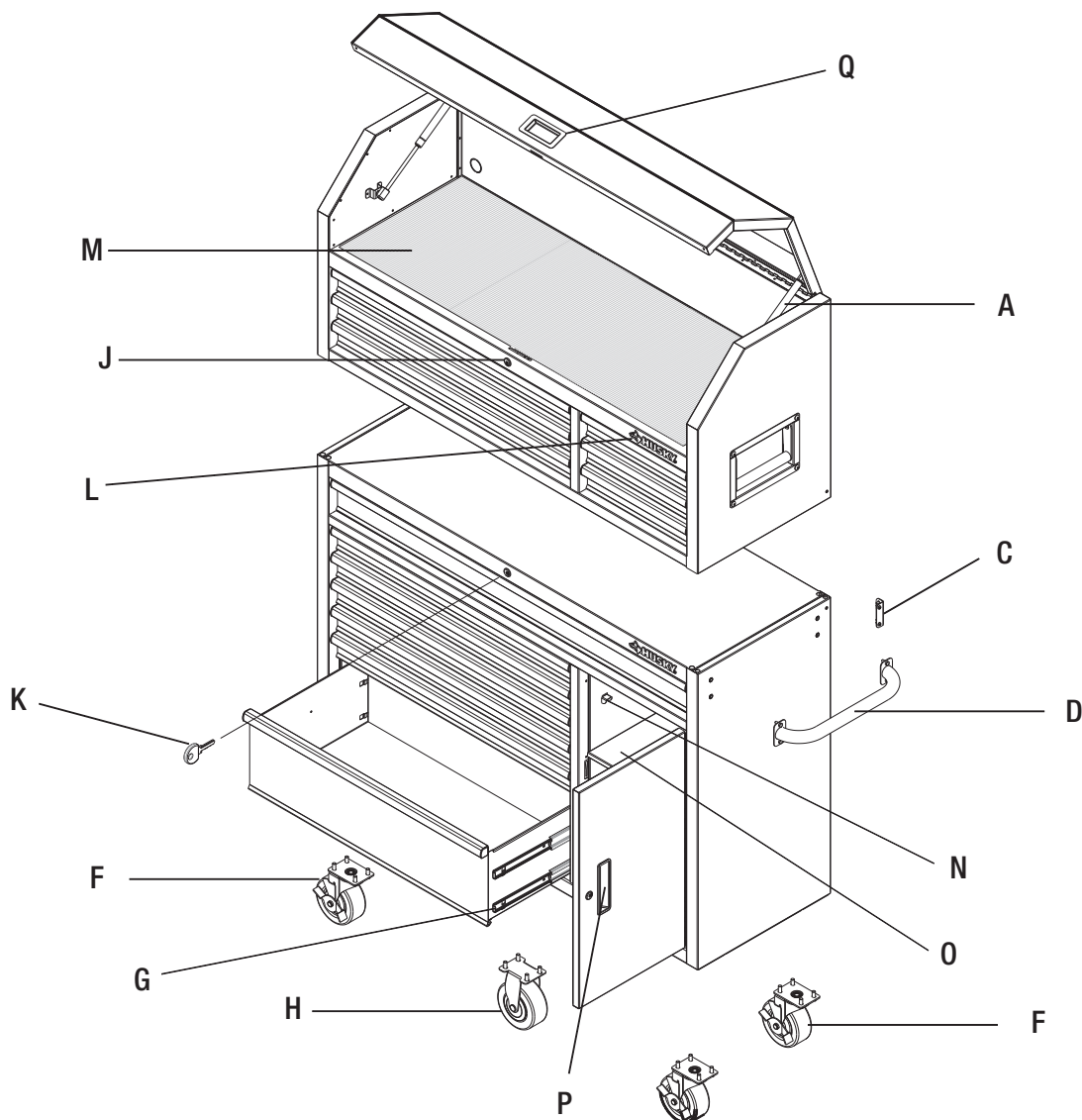
2 Maintaining the drawers

- Periodically clean the drawer trim and inside the drawers with a mild detergent and water.
- Remove grease and oil with a standard, nonflammable cleaning fluid.
- The use of drawer liners is recommended to protect the finish inside the drawers and make the drawers easier to clean. Drawer liners can be cleaned with soap and water.
- Lubricate the slides semi-annually with grease or equivalent.



Care and Cleaning

- This steel product has been coated with industrial powder coating for a durable finish.
- To help protect the powder coated finish, do not allow harsh chemicals (oil, grease, or other chemical) to remain on the powder coating surface.
- Use a glass cleaner (Windex® or equivalent product) to clean and maintain all surfaces of powder coating.



Part	Item No.	Description	Quantity
A	K0509031	Gas lift	2
B	K1131021	Husky badge	2
C	B30160TC31E0025A	Bracket	2
D	D6TC04001	Side handle	1
E	K06120022	Lock	3
F	K0322026	Swivel caster with brake	4
G	K0204023	Drawer slide (pair)	14
H	K0322026	Rigid caster	2
I	Z7400022I	Shelf clips	4
J	K06120022	Lock	3
K	K06120021	Key (set)	2
L	K1131021	Husky badge	2
M	K0129084	Drawer liner	14
N	Z7400022I	Shelf clips	4
O	B4B080TC52E3901A	Shelf	1
P	K1820003	Door pull	1
Q	L20110031	Chest lid handle	1



Questions, problems, missing parts? Before returning to the store, call
Husky Customer Service
8 a.m.-7 p.m., EST, Monday-Friday, 9 a.m. - 6 p.m., EST, Saturday

1-888-43-HUSKY

HUSKYTOOLS.COM

Retain this manual for future use.