

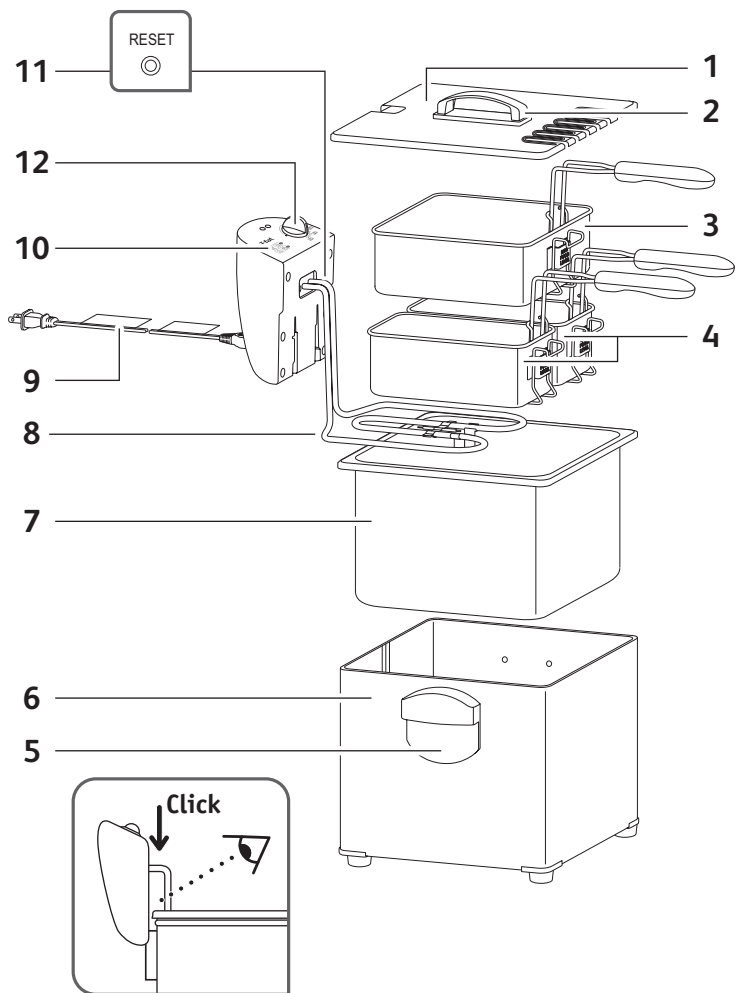
T-fal®

EN



Triple Basket Deep Fryer

www.t-fal.com



IMPORTANT SAFEGUARDS

When using electrical appliances, basic safety precautions should always be followed, including the following:

1. Read all instructions before using.
2. Do not touch hot surfaces. Use handles or knobs.
3. To protect against electric shock, do not immerse cord, plugs or fryer in water or other liquid.
4. Close supervision is necessary when any appliance is used by or near children.
5. Unplug from outlet when not in use and before cleaning. Allow to cool before putting on or taking off parts, and before cleaning the appliance.
6. Do not operate any appliance with a damaged cord or plug or after the appliance malfunctions, or has been damaged in any manner. Return appliance to the nearest authorized service facility for examination, repair or adjustment.
7. The use of accessory attachments not recommended by the appliance manufacturer may cause injuries.
8. Do not use outdoors.
9. Do not let cord hang over edge of table or counter, or touch hot surfaces.
10. Do not place on or near a hot gas or electric burner, or in a heated oven.
11. Extreme caution must be used when moving fryer containing hot oil.
12. Always attach plug to appliance first (depending on model), then plug cord in the wall outlet. To disconnect, turn any control to "off", then remove plug from wall outlet.
13. Do not use appliance for other than intended use.
14. Be sure handles are properly assembled to basket and locked in place. See detailed assembly instructions.

15. **SAVE THESE INSTRUCTIONS FOR HOUSEHOLD USE ONLY.**

16. **WARNING: POSSIBLE ERUPTION. WATER'S REACTION TO HOT OIL IS EXTREMELY VOLATILE. PLEASE ENSURE, NO MATTER WHAT THE RECIPE STATES, FOOD MUST BE DRIED THOROUGHLY BEFORE IMMERSING IN HOT OIL.**

17. Before use, check that your local voltage corresponds with the specifications shown on the appliance nameplate located under the appliance.
18. Only connect the appliance to electrical sockets which have a minimum load of 15A. If the sockets and the plug on the appliance should prove incompatible, get a professionally qualified technician to replace the socket with a more suitable one.
19. This electrical equipment operates at high temperatures which may cause burns. Do not touch the hot surfaces of the appliance (housing, plastic parts...).
20. To ensure safe operation, oversized foods must not be inserted into the appliance.
21. Do not overload the pan. For safety reasons never exceed the maximum quantity.
22. The cooking times are given as guidelines only.
23. Do not leave the cord hanging.
24. Do not unplug the appliance by pulling on the cord.
25. Always unplug the appliance immediately after use, when moving it and prior to any cleaning or maintenance.
26. In the event of fire, never try to extinguish the flames with water. Unplug the appliance. Close the lid, if it is not dangerous to do so. Smother the flames with a damp cloth.
27. Do not move the appliance when it is full of hot food.
28. Never immerse the appliance in water!
29. This appliance is not suitable for recipes with a high-liquid content (eg. soups, cooking sauces...).
30. Never turn on the appliance if the cooking pan is empty.
31. Do not overfill the cooking pan, never exceed the indicated quantities or maximum food level mark (for French fries only).
32. Ensure that the bowl is completely dry after washing and before use.
33. The oil level must always be between the Min. and Max. markings.
34. Never operate your fryer without any oil.
35. This appliance is not intended to be operated by means of an external timer or separate remote control system.
36. This appliance is not intended for use by persons (including children) with reduced physical, sensory or mental capabilities, or lack of experience and knowledge, unless they have been given supervision or instruction concerning use of the appliance by a person responsible for their safety. Children should be supervised to ensure that they do not play with the appliance.

37. This appliance is intended to be used in households only. It is not intended to be used in the following applications, and the guarantee will not apply for:
- staff kitchen areas in shops, offices and other working environments;
 - Farms houses;
 - by clients in hotels, motels and other residential type environments;
 - bed and breakfast type environments.
38. If the supply cord is damaged, it must be replaced by the manufacturer, its service agent or similarly qualified persons in order to avoid a hazard.
39. Keep the appliance and its cord out of reach of children less than 8 years.
40. If you have any problems, contact the authorized after-sales service or the internet address www.t-fal.com.
41. To turn the power off turn the temperature knob to the MIN setting and unplug the breakaway power cord from the wall outlet.

POLARIZATION INSTRUCTIONS

This appliance has a polarized plug (one blade is wider than the other). To reduce the risk of electric shock this plug is intended to fit into a polarized outlet only one way. If the plug does not fit fully into the outlet, reverse the plug. If it still does not fit, contact a qualified electrician. Do not attempt to modify the plug in any way.

SHORT CORD INSTRUCTIONS

Do not use with an extension cord.

A short power-supply cord is to be provided to reduce the risk resulting from becoming entangled in or tripping over a longer cord.

Magnetic connector

The cord is equipped with a detachable magnetic connector. The magnetic connector should be attached directly to the fryer. **THIS SHOULD BE DONE PRIOR TO PLUGGING THE CORD INTO THE WALL OUTLET.**

GUIDELINES FOR DEEP-FRYING

- Make sure the green ready light is on before lowering food into oil.
- Too much food will prevent the food from moving around and browning evenly. In addition, it may slow down the cooking time. Fry in smaller batches for faster, crispier fried food.
- When selecting oil to use in your Deep Fryer, choose a high quality brand of peanut oil, canola oil, or vegetable oil. These fats can withstand high temperatures well. Do not use butter, margarine, animal fats or olive oil because these smoke at lower temperatures. Do not mix different oils. Do not use shortening or lumps of fat as your Deep Fryer thermostat will overheat and could cause a flash fire.
- Cover and refrigerate the oil or fat between uses to maintain freshness.
- Change oil often and dispose of responsibly. Do not pour down the sink drain. Check with local regulations for proper disposal.
- Keep oil for frying seafood and fish separate from oil used for potatoes and other milder items.
- Before deep frying any foods, remove excess moisture by blotting well with a paper towel.
- Do not add water, wet foods, or icy frozen foods to hot oil, because this will cause the oil to spatter, which may result in injury.
- When frying battered foods, shake off any excess batter or coating before putting in the oil.
- Never pour salt into the oil. Instead, salt the food while it is hot and draining on a paper towel.
- Frozen foods can be cooked in the basket. Follow directions on food package. Use caution when lowering the basket in the oil, as the ice crystals can cause spattering. Always lower slowly into the oil.
- After cutting potatoes for French fries or potato chips, wash in cold water to remove starch. This will keep them from sticking together. Dry completely before frying.
- Never place any plastic utensils into hot oil. **Do not pour hot oil into plastic containers.**
- Never cover the food with storage lid.

DESCRIPTION

- | | | | |
|---|---------------------|----|----------------------|
| 1 | Storage lid | 7 | Oil pot |
| 2 | Lid handle | 8 | Heating element |
| 3 | Large basket | 9 | Breakaway power cord |
| 4 | Small baskets | 10 | Control panel |
| 5 | Housing side handle | 11 | Safety reset button |
| 6 | Housing | 12 | Temperature |

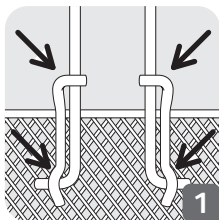
BEFORE THE FIRST USE

Carefully unpack the Deep Fryer and remove all packaging materials. Compare parts to the Deep Fryer Parts List to ensure that everything has been removed from the packaging. Clean your Deep Fryer according to the Care & Cleaning section of this manual.

PREPARING THE FRYER

1. Place the Deep Fryer housing on a stable and horizontal, level surface. Not on heating plate and/or Gas plate.
2. Ensure that all components of your Deep Fryer are completely dry prior to use to avoid risk of injury due to spattering.
3. Line up the control panel into the grooves on the rear of the Deep Fryer housing. Your Deep Fryer is equipped with a safety microswitch which will not allow the control panel to work unless it is properly seated into both grooves in the housing.
4. Add the appropriate amount of oil to the oil pot. Do not fill with oil above the maximum level or below the minimum level marked on the inside of the oil pot.
5. **WARNING:** To prevent your fryer from overheating never attach the magnetic breakaway power cord to the control panel until you have placed oil in the oil pot to at least the MIN level as marked on the oil pot, and the temperature knob is on the MIN setting.

6. Attach the handle to the basket by squeezing the handle rods together and placing the ends into the loop of the basket. Ensure the handle stem is placed beneath the locking bracket on the basket. **A serious burn injury can occur if your handle is not properly locked in place (See Figure 1).**
7. Place the desired basket into the oil pot.



FRYING PROCESS

1. Be sure you have read and have become familiar with the “Important Safeguards” section of this manual, along with the section “Additional Safety Information”.
2. Assemble your Deep Fryer according to the instructions in the section “Assembling Your Deep Fryer”.
3. Pour the desired amount of oil into the oil pot ensuring that the oil level is no less than the MIN marking on the oil pot, and no more than the MAX line of the oil pot. Ensure that your temperature knob is on the MIN setting.
4. Attach the magnetic breakaway power cord to the back of the Deep Fryer control panel and place the breakaway power cord into a standard 120V outlet.
5. When the Fryer is plugged in the red power light will illuminate indicating that the Deep Fryer is on.
6. Set the temperature control knob to the desired temperature. The green ready light will illuminate when the oil has reached the set temperature.
7. Place food into the basket.
8. Lower basket with food into the oil.

WARNING: When your food has finished cooking turn the temperature control knob to the MIN setting and unplug your Deep Fryer from the wall outlet before removing from the control panel.

WARNING: Do not attempt to clean your Deep Fryer or drain the oil while either the Deep Fryer or the oil is hot. Allow unit to completely cool. Use care when cleaning the Deep Fryer lid and housing and edges may be sharp.

1. Before cleaning, unplug the breakaway cord from the wall outlet first, and then from your Deep Fryer and wait for the Deep Fryer to cool completely.
2. Remove the control panel with heating element from the housing by lifting vertically.
3. Never immerse the control panel in any liquid. Clean the heating element with hot, soapy water, being careful not to wet the control panel.
4. Wash frying baskets, and oil pot in warm, soapy water and dry thoroughly or in the dishwasher.
5. Clean the exterior of the control panel with a slightly damp cloth. Wipe the deep fryer housing with a damp cloth. Always ensure that all components are dried thoroughly, as any residual water will cause spattering of oil.

IMPORTANT: Do not immerse the Deep Fryer control panel or breakaway power cord in water or other liquid. Always hand wash as described above and dry thoroughly. Any other servicing should be performed by an authorized service representative. Periodically check for looseness of screws on the feet of the housing and retighten them.

CAUTION: Overtightening can result in stripping of screws or nuts or cracking of handle or feet.

COOKING TABLES

Cooking times are suggestions. Adjust them according to your own preference and the amount of food being cooked. Do not overfill the frying basket or exceed 1.5 lbs in the small baskets, or 3 lbs in the large basket.

Food	Temperature	Time (min)
Chicken Breasts	350°F/176 °C	15-20 min
Chicken drumsticks	350°F/176 °C	12-15 min
Chicken fingers	350°F/176 °C	12-15 min
Doughnuts	350°F/176 °C	2-4 min
Eggplant	350°F/176 °C	5-7 min
Fish filets, breaded	350°F/176 °C	5-6 min
Fish in batter	325°F/162 °C	6-8 min
French fries	375°F/190 °C	5-7 min
Mushrooms	350°F/176 °C	3-5 min
Onion rings	350°F/176 °C	5-7 min
Pork chops, breaded	350°F/176 °C	7-10 min
Potato chips	375°F/190 °C	5-8 min
Shrimp	350°F/176 °C	2-4 min
Veal cutlets	340°F/170 °C	7-10 min

WARNING: Do not add water, wet foods or icy frozen foods to cooking oil, because this will cause the oil to splatter and may result in injury. Do not move the Deep Fryer while cooking, or at any time when the oil is hot. Do not attempt to empty the oil while the oil is hot. Do not touch any metal surfaces of your Deep Fryer as they are hot and can cause burns.

Do not store the product outside.

Store your appliance in a dry and ventilated place.

TEFAL/T-FAL INTERNATIONAL GUARANTEE

COUNTRY LIST

World Map	Phone	Clock	Envelope
ARGENTINA	0800-122-2732	2 años	GRUPE SEB ARGENTINA S.A. Biltinghurst 1833 3° C1425DTK Capital Federal Buenos Aires
ՀԱՅԿԱՍՏԱՆ ARMENIA	010 55-76-07	2 տարի 2 years	ԳԻՔ «ԳՐԱԽՈՒՄ ԼԻՄԻՏԵԴ» 125171, Մոսկվա, Լենինգրադսկոե ստոր. ձ. 16A, քթ. 3
AUSTRALIA	1300 307 824	1 year	GRUPE SEB AUSTRALIA PO Box 755, Silverwater NSW 2128
ÖSTERREICH AUSTRIA	01 890 3476	2 Jahre 2 years	SEB ÖSTERREICH GmbH Campus 21 - Businesspark Wien Süd Liebenaustr. A02 702 2345 Brunn am Gebirge
البحرين BAHRAIN	17716666	سنة واحدة 1 year	www.tefal-me.com
БЕЛАРУСЬ BELARUS	017 2239290	2 года 2 years	ЗАО «ГРУПА ТА СЕБ-ВОСТОК» 125171, Москва, Ленинградское шоссе, д. 16А, стр. 3
BELGIQUE BELGIE BELGIUM	070 23 31 59	2 ans 2 jaar 2 years	GRUPE SEB BELGIUM S.A NV 25 avenue de l'Espérance - ZI 6220 Fleurus
BOSNA I HERCEGOVINA	Info-linija za potrošače 033 561 220	2 godine 2 years	SEB Development Predstvištvilo u BiH Vrazova 8/II - 71000 Sarajevo
BRASIL BRAZIL	11 2915-4400	1 ano 1 year	SEB COMERCIAL DE PRODUTOS DOMESTICOS LTDA Rua Venâncio Ares, 433, Pompeia, São Paulo/SP

ASIA/AM/AF 8080014802-1505089682-1520001421-1800135832-2017150404-903911 | UPDATE 25/03/2015





World Map	Phone	Clock	Envelope
БЪЛГАРИЯ BULGARIA	0700 10 330	2 години 2 years	ГРУП СЕБ БЪЛГАРИЯ ЕООД бул. България 81 Б, et. 5 1404 София
CANADA	1-800-418-3325	1 an 1 year	GRUPE SEB CANADA 345 Passmore Avenue Toronto, ON M1V 3N8
CHILE	12300 209207	2 años 2 years	GRUPE SEB CHILE Commercial Ltda Av. Providencia, 2331, piso 5, Oficina 501 Santiago
COLOMBIA	018000520022	2 años 2 years	GRUPE SEB COLOMBIA Apartado Aéreo 172, Kilometro 1 Vía Zipaquirá Cajica Cundinamarca
HRVATSKA CROATIA	01 30 15 294	2 godine 2 years	SEB mku s p.d.o.o. Vodnjanska 28, 10000 Zagreb
ČESKA REPUBLIK CZECH REPUBLIC	731 010 111	2 roky 2 years	Grupsa SEB ČR s.r.o. Futurama Business Park (budova A) Sokolovská 651/136a 158 00 Praha 6
DANMARK DENMARK	44 663 155	2 år 2 years	GRUPE SEB NORDIC AS Tempovej 27 2750 Ballerup
مصر EGYPT	16822	سنة واحدة 1 year	القنوات 111 الشارع رقم 111 الغزوة طريق 1 مصر
ESTI ESTONIA	688 128	2 aastat 2 years	GRUPE SEB POLSKA SP Z O.O. ul. Bukowińska 22b, 02-703 Warszawa

www.tefal.com

World Map	Phone	Clock	Envelope
SUOMI FINLAND	09 622 94 20	2 Vuotta 2 years	Grupsa SEB Finland Kutajantie 7 - 02890 Espoo
FRANCE CONTINENTALE + GUADELOUPE, MARTINIQUE, REUNION, ST-MARTIN	09 74 50 47 74	1 an 1 year	GRUPE SEB France Service Consommateur Tefal 112 Ch. Meulin Carros, TSA 52002 69134 ECULLY Cedex
DEUTSCHLAND GERMANY	0212 387 400	2 Jahre 2 years	GRUPE SEB DEUTSCHLAND GmbH / KRUPS GmbH Theodor-Storm-Kai 1 60486 Frankfurt am Main
ΕΛΛΑΔΑ GREECE	2106371251	2 χρόνια 2 years	SEB GREECE ΕΛΛΑΔΟΣ Α.Ε. 0665 Κοβαλακίου 7 TK. 145 84 K. Kyzoni
香港 HONG KONG	8130 8998	1 year	SEB ASIA Ltd. Room 903, 8/F, South Block, Skyway House 3 Sham Mong Road, Tai Kok Tsui, Kowloon Hong Kong
MAGYARORSZÁG HUNGARY	06 1 801 8434	2 év 2 years	GRUPE SEB CENTRAL - EUROPE Kft. Távirányító köz 4 + 2040 Budapest
INDONESIA	+62 21 5793 7007	1 year	GRUPE SEB INDONESIA (Representative office) Sudirman Plaza, Plaza Marein 8th Floor Jl. Jendral Sudirman Kav 76-78, Jakarta 12910, Indonesia
ITALIA ITALY	1 99 207 354	2 anni 2 years	GRUPE SEB ITALIA S.p.A. Via Montefeltro, 4 - 20156 Milano
日本 JAPAN	0570-077772	1 year	株式会社グループセブジャパン 〒144-0042 東京都大田区羽田蒲田1-1 羽田クレーンポート事務棟5F
الأردن JORDAN	5665505	سنة واحدة 1 year	www.tefal-me.com
КАЗАХСТАН KAZAKHSTAN	727 378 39 39	2 жыл 2 years	ЖАК «Група СЕБ-Восток» 125171, Мәскеу, Ленинградское шоссе, д.16А, 3 үйі
한국어 KOREA	1588-1588	1 year	(우) 그룹 세브 코리아 서울시 중로구 청계리로 35 관정빌딩 2층 110-790

World Map	Phone	Clock	Envelope
الكويت KUWAIT	24831000	سنة واحدة 1 year	www.tefal-me.com
LATVIA LATVIA	6 816 3403	2 gad 2 years	GRUPE SEB POLSKA Sp. z o.o. ul. Bukowińska 22b, 02-703 Warszawa
لبنان LEBANON	4414727	1 year	www.tefal-me.com
LIEUWA LITHUANIA	5 214 0057	2 metai 2 years	GRUPE SEB POLSKA Sp. z o.o. ul. Bukowińska 22b, 02-703 Warszawa
LUXEMBOURG	0032 70 23 31 59	2 ans 2 years	GRUPE SEB BELGIUM SA NV 25 avenue de l'Espérance - ZI 6220 Fleurus
МАКЕДОНИЈА MACEDONIA	(02) 20 50 319	2 години 2 years	ГРУП СЕБ БЪЛГАРИЯ ЕООД бул. България 81 Б, et. 5 1404 София
MALAYSIA	603 7802 3000	2 years	GRUPE SEB MALAYSIA SDN. BHD Unit No. 402-403, Level 4, Uptown 2, No. 2, Jalan SS21/37, Damansara Uptown, 47400, Petaling Jaya, Selangor D.E Malaysia
MEXICO	(01800) 112 8325	1 año 1 year	Grupsa S.E.B. Mexico, S.A. DE C.V. Goldsmith 38 Desp. 401, Col. Polanco Delegación Miguel Hidalgo 011 560 Mexico D.F.
MOLDOVA	22 929249	2 ani 2 years	ТОВ «Трим СЕБ Упатко» 02121, Харцискское шоссе, 201/203, 3 посевк, Кишинев, Украина
NETHERLAND THE NETHERLANDS	0318 58 24 24	2 jaar 2 years	GRUPE SEB NEDERLAND B.V. De Schutterij 27 3905 PK Venendaal
NEW ZEALAND	0600 700 711	1 year	GRUPE SEB NEW ZEALAND PO Box 37 - 298, Greenlane, 1546 Auckland New Zealand
NORGE NORWAY	815 09 567	2 år 2 years	GRUPE SEB NORDIC AS Tempovej 27 2750 Ballerup

			
سلطنة عُمان OMAN	24703471	سنة واحدة 1 year	www.tefal-me.com
POLSKA POLAND	801 300 420 koszt jak za połączenie lokalne	2 lata 2 years	GRUPE SEB POLSKA Sp. z o.o. ul. Bukowicka 22b, 02-703 Warszawa
PORTUGAL	808 284 735	2 anos 2 years	GRUPE SEB IBERICA SA Lda. da Matinha Rua Projectada 8 Rua 3 Bloco1 - 3° B/D 1950 - 327 Lisboa
قطر QATAR	44485555	سنة واحدة 1 year	www.tefal-me.com
REPUBLIC OF IRELAND	01 677 4003	1 year	GRUPE SEB IRELAND Unit B3 Aerodrome Business Park, College Road, Rathcoole, Co. Dublin
ROMÂNIA ROMANIA	0 21 316 87 84	2 ani 2 years	GRUPE SEB ROMANIA Str. Daniel Constantin nr. 8 010632 Bucuresti
РОССИЯ RUSSIA	495 213 32 30	2 года 2 years	ЗАО «Группа СЕБ-Восток», 125171, Москва, Ленинградское шоссе, д. 16А, стр. 3
المملكة العربية السعودية SAUDI ARABIA	920023701	سنة واحدة 1 year	www.tefal-me.com
SRBIJA SERBIA	080 0 732 000	2 godine 2 years	SEB Developpement Dobita Stanojevića 11b 11070 Novi Beograd
SINGAPORE	6550 8900	1 year	GRUPE SEB SINGAPORE Pte Ltd. 59 Jalan Pempin, #04-01/02 L&Y Building Singapore 577218
SLOVENSKO SLOVAKIA	232 199 930	2 roky 2 years	GRUPE SEB Slovensko, spol. s r.o. Cesta na Senec 2/A 821 04 Bratislava
SLOVENIJA SLOVENIA	02 234 94 90	2 leti 2 years	SEB d.o.o. Gregorčičeva ulica 6 2000 MARIBOR

			
SOUTH AFRICA	0102022222	1 year	GS South Africa Building 17, PO BOX 107 - The Woodlands Office Park, 20 Woodlands Drive, Woodmead 2080
ESPAÑA SPAIN	902 31 24 00	2 años 2 years	GRUPE SEB IBERICA S.A. C/ Almogrove, 118-123, Complejo Escourban 08018 Barcelona
SVERIGE SWEDEN	08 594 213 30	2 år 2 years	TEFAL SVERIGE SUBSIDIARY OF GRUPE SEB NORDIC Truckvägen 14 A, 194 52 Uplands Väsby
SUISSE SWITZERLAND	044 837 18 40	2 ans 2 Jahre 2 years	GRUPE SEB SCHWEIZ GmbH Thurgauerstrasse 105 8152 Glattbrugg
ประเทศไทย THAILAND	02 769 7477	2 years	GRUPE SEB THAILAND 2034/66 Isthai Tower, 14th Floor, n° 14-02, New Petchburi Road, Bangkapi, Huaykwang, Bangkok, 10320
TÜRKIYE TURKEY	444 40 50	2 YIL 2 years	GRUPE SEB İSTANBULAS Dereboyu Cad. Bilim Sk. Sun Plaza No 5 K:2 Maslak/İST
الإمارات العربية المتحدة UAE	8002272	سنة واحدة 1 year	www.tefal-me.com
УКРАЇНА UKRAINE	044 300 13 04	2 роки 2 years	TOB «Грyп СЕБ Укyаїна» 02121, Харьківське шосе, 201-203, 3 поверх, Київ, Укyаїна
UNITED KINGDOM	0345 602 1454	1 year	GRUPE SEB UK LTD Riverside House, Riverside Walk Windsor, Berkshire, SL4 1NA
U.S.A.	800-395-8325	1 year	GRUPE SEB USA 2121 Eden Road Millville, NJ 08332
VENEZUELA	0800-7268724	2 años 2 years	GRUPE SEB VENEZUELA Av Eugenio Mendoza, Centro Letonia, Torre ING Bank, Piso 15, Ofic 105 Urb. La Castellana, Caracas

TEFAL/T-FAL* INTERNATIONAL LIMITED GUARANTEE

English

 www.tefal.com

This product is **repairable** by TEFAL/T-FAL*, during and after the guarantee period.

TEFAL/T-FAL endeavours to keep most of the stock of the spare parts available for the repair of your product for up to 5 to 7 years on average, from the last date of production. Accessories, consumables and end-user replaceable parts can be purchased, if locally available, as described on the TEFAL/T-FAL internet site www.tefal.com

The Guarantee

TEFAL/T-FAL guarantees this product against any manufacturing defect in materials or workmanship during the guarantee period within those countries*** as stated in the attached country list, starting from the initial date of purchase or delivery date. The international manufacturer's guarantee covers all costs related to restoring the proven defective product so that it conforms to its original specifications, through the repair or replacement of any defective part and the necessary labour. At TEFAL/T-FAL's choice, a replacement product may be provided instead of repairing a defective product. TEFAL/T-FAL's sole obligation and your exclusive resolution under this guarantee are limited to such repair or replacement.

Conditions & Exclusions

TEFAL/T-FAL shall not be obliged to repair or replace any product which is not accompanied by a valid proof of purchase. The product can be taken directly in person or may be adequately packaged and returned, by recorded delivery (or equivalent method of postage), to a TEFAL/T-FAL authorised service centre. Full address details for each country's authorised service centers are listed on TEFAL/T-FAL website (www.tefal.com) or by calling the appropriate consumer Service centre set out in the attached country list. In order to offer the best possible after-sales service and constantly improve customer satisfaction, TEFAL/T-FAL may send a satisfaction survey to all customers who have had their product repaired or exchanged in a TEFAL/T-FAL authorised service centre.

This guarantee applies only for products purchased and used for domestic purposes and will not cover any damage which occurs as a result of misuse, negligence, failure to follow TEFAL/T-FAL instructions, or a modification or unauthorised repair of the product, faulty packaging by the owner or mishandling by any carrier. It also does not cover normal wear and tear, maintenance or replacement of consumable parts, or the following:

- using the wrong type of water or consumable
- damages or poor results specifically due to wrong voltage or frequency
- damage as stamped on the product ID or specification
- ingress of water, dust or insects into the product
- scaling (any de-scaling must be carried out according to the instructions for use)

- damage to any glass or porcelain ware in the product
- mechanical damages, overloading
- damage as a result of lightning or power surges
- accidents including fire, flood, etc
- professional or commercial use

Consumer Statutory Rights

This international TEFAL/T-FAL guarantee does not affect the Statutory Rights a consumer may have or those rights that cannot be excluded or limited, nor rights against the retailer from which the consumer purchased the product. This guarantee gives a consumer specific legal rights, and the consumer may also have other legal rights which vary from State to State or Country to Country. The consumer may assert any such rights at his sole discretion.

For Australia only:

Our goods come with guarantees that cannot be excluded under the Australian Consumer Law. You are entitled to a replacement or refund for a major failure and compensation for any other reasonably foreseeable loss or damage. You are also entitled to have the goods repaired or replaced if the goods fail to be of acceptable quality and the failure does not amount to a major failure.

*** Where a product purchased in a listed country and then used in another listed country, the international TEFAL/T-FAL guarantee duration is the one in the country of usage, even if the product was purchased in a listed country with different guarantee duration. The repair process may require a longer time if the product is not locally sold by TEFAL/T-FAL. If the product is not repairable in the new country, the international TEFAL/T-FAL guarantee is limited to a replacement by a similar or alternative product of similar cost, where possible.

*TEFAL household appliances appear under the T-FAL brand in some territories like America and Japan. TEFAL/T-FAL are registered trademarks of Groupe SEB. Please keep this document for your reference should you wish to make a claim under the guarantee.

Date of purchase	Retailer name and address	Distributor stamp
Product reference

