

Important Note: Warning

Prior to drilling any new holes in your door, please ensure that the width of the inside frame is wide enough for the inside latch and deadbolt. See Template for instructions.

For new installations, you will require the following: electric drill, cutting pliers, Phillips screwdriver, and the following drill bits: 1/16", 5/16" and a 7/8" spade bore drill bit. A hack saw may be required if you would like to cut the spindles yourself.

Always wear safety glass when drilling and cutting spindles.

When drilling into door with spade bore drill bit, pre-drill a pilot hole. A second person to hold the door steady is helpful.

Installation Instructions: SK1215 Deluxe lever handle set for storm Doors.

Included in this package: Outside lever handle, inside latch, inside deadbolt, strikes, spindles, screws,

Thank you for your purchase. The screws and spindles included in this package are for door thicknesses ranging from 1" to 2-1/8". Several lengths of spindles and screws are included. Although we have made every attempt to make this package complete, if you are missing any screws or spindle length to make this suitable for your door, please contact us and we will ensure that your product functions properly.

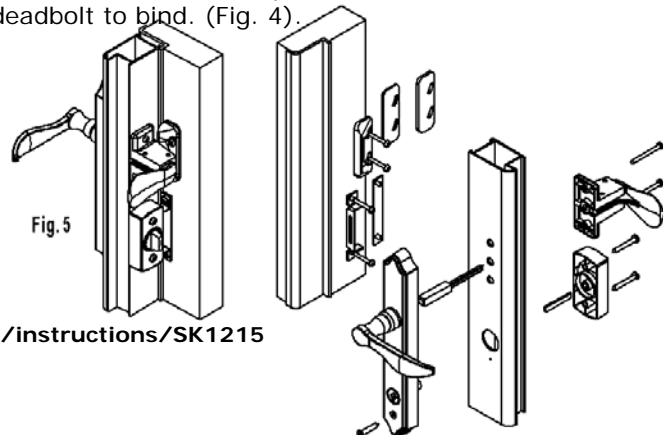
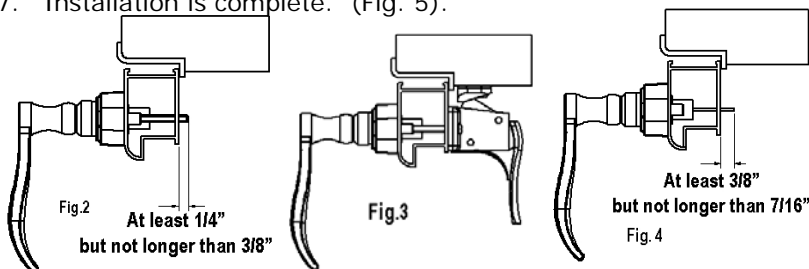
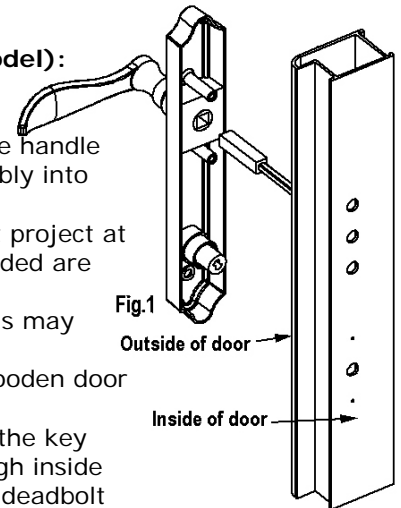
Please call: 800-361-2236 ext. 234.* e-mail: ideal@idealinc.com * www.idealinc.com

The outside handle can be used for left or right handed openings. The handle will rotate 360 degrees until you insert the spindle. The spindle locks the lever in position and activates the spring.

For installation on new doors, please visit our website for additional installation information. A template from the door manufacturer is recommended as many door profiles are different.

Installation on doors where no new drilling is required (replacement of the same model):

1. Remove the old handle from the door.
2. Rotate outside handle into normal operating position and insert spindle into the outside handle from the back. Guide the spindle through outside of the door and place handle assembly into position as shown in Fig 1.
3. With the handle on and the spindle firmly seated into outside handle, the spindle must project at least $\frac{1}{4}$ " through inside of door, and not longer than $\frac{3}{8}$ " (Fig. 2). If the spindles included are too long, you can cut to length or contact us for additional ones.
4. Fasten handle to inside latch with machine screws provided. Do not over tighten as this may cause the latch to bind.
5. Attach nylon strike (shim if necessary) with the #6 x 1" tapping screws provided to wooden door jamb so strike firmly engages latch (Fig. 3)
6. Deadbolt and spindle installation: From the inside, slide the spindle through door into the key lock. Once the spindle reaches as far as it can go, it must stick out at least $\frac{3}{8}$ " through inside of door, but not longer than $\frac{7}{16}$ ". Cut off beyond that point with cutting pliers. Place deadbolt against door with flat spindle engaged. Holding the deadbolt in place, but without the screws, test the deadbolt by turning the key. If it binds, the spindle may be too long. When the key turns freely and the deadbolt functions fasten the deadbolt to the door with 2 #6 x 1" pan head tapping screws. Do not over tighten as this may cause the deadbolt to bind. (Fig. 4).
7. Installation is complete. (Fig. 5).



For more information and tips about this product, please visit www.idealinc.com/instructions/SK1215

TEMPLATE AND INSTALLATION INSTRUCTIONS: SK1215

Installation on new doors or replacing a different style handle: New drilling (for holes) is required:

You will need: Drilling template, electric drill, 1/16" and 5/16" drill bits, a 7/8" spade bore drill bit, Phillips screw driver, cutting pliers and safety glasses.

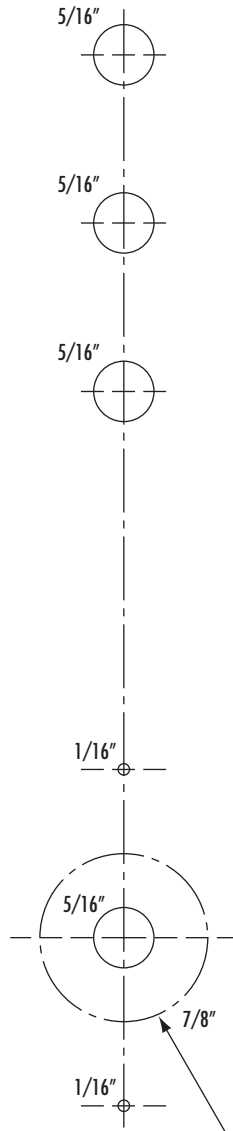
Warning: Check door profile prior to installation. You will require an inside profile wide enough for proper installation.

With the door closed, the minimum inside door profile width is 1-3/4" from the edge of the door frame (glass side) to the edge of the door jamb or metal door frame (z-bar), which ever is narrower. Determine if your storm door is hinged right or hinged left for proper use of drilling template. From outside of door, looking in, if the hinges are on your left, your door is left handed. If the hinges are on the right, it is a right handed door. Ensure that the inside paddle does not interfere with the prime door lock.

1. Fold the template on the dotted line according to the handedness (left or right).
2. With the door in closed position, place folded template on inside of door so that the folded side is against the jamb or metal z-bar, which ever projects out farther.
3. Mark the position of all 6 holes. (A center punch is useful) Note: (4) 5/16" and (2) 1/16" holes.
4. Using a 5/16" drill bit, drill the (4) 5/16" holes straight through door to the outside face.
5. Move the template to the outside of the door and align it with the 4 holes drilled. Mark the position for the bottom 1/16" hole for the face plate tie down screw. Drill one 1/16" hole through outside of door only.
6. Using a 7/8" spade bore drill bit, drill a hole for the key lock (see template for location) through outside face of door only. If the door is aluminum drill through outer skin only. If the door is solid wood core, drill 5/8" depth. Remove any loose material as this may interfere with key operation.
7. On the inside of door, drill (2) 1/16" holes though inside of door only for the deadbolt screws.
8. Install the hardware.

ligne de pliage pour porte à ouverture extérieure à gauche • línea punteada para puertas que se abren del lado izquierdo

Scored line for left hand outswing door



Drill this 7/8" hole on outside door surface only.

Perce ce trou de 7/8 po dans la surface extérieure de la porte seulement.

Perfore este agujero de 7/8 pulg. únicamente por la superficie exterior de la puerta.

ligne de pliage pour porte à ouverture extérieure à droite • línea punteada para puertas que se abren del lado derecho

Scored line for right hand outswing door