

**SIMPLI™**  
**H O M E**

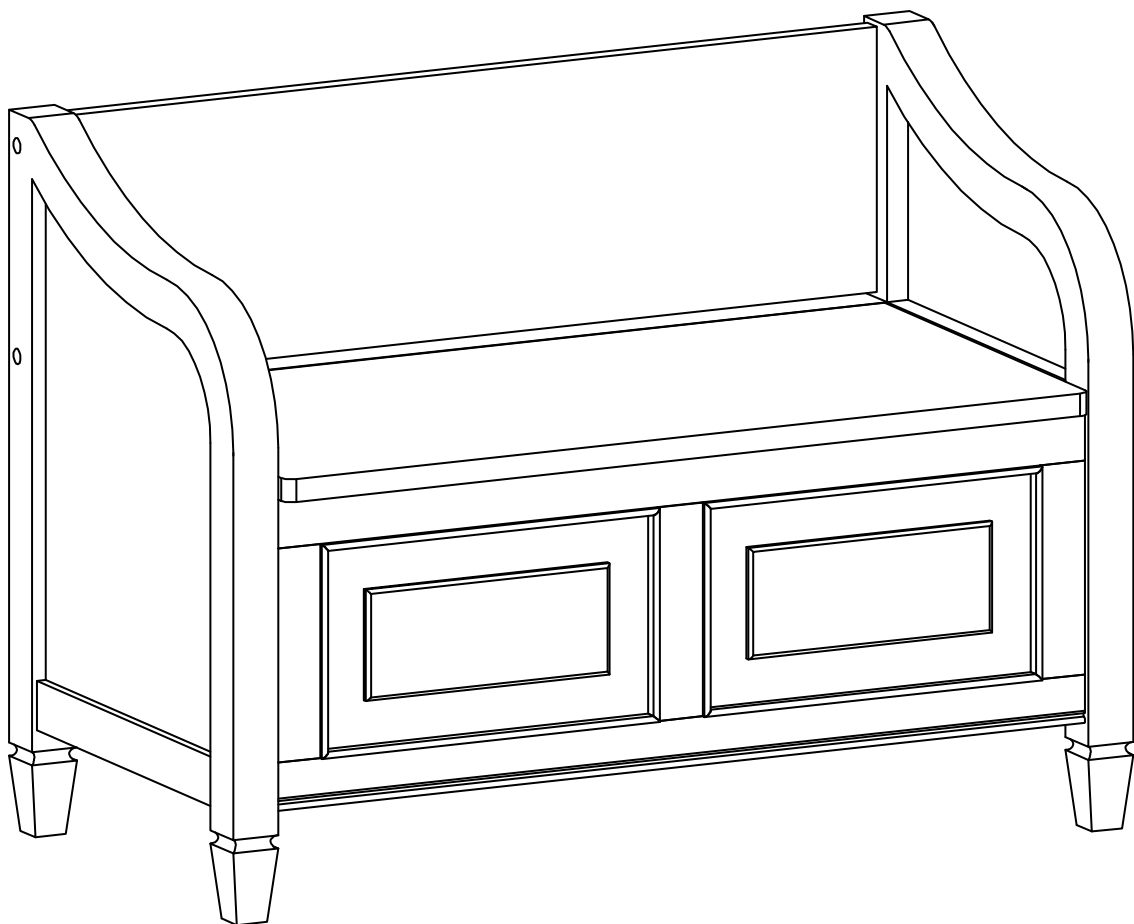
*Wyndent Hall™*  
HOME DECOR  
brooklyn + max™

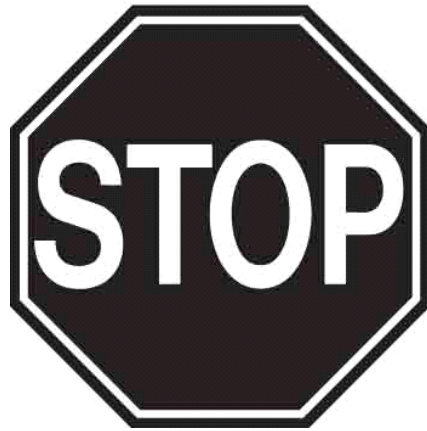
**CONNAUGHT / HAMPSHIRE / SOMERSET**

---

**ENTRYWAY STORAGE BENCH**

MODEL # 3AXCCON-09





## **DO NOT RETURN**

**FOR REPLACEMENT PARTS OR OTHER INQUIRIES  
PLEASE CONTACT US AT:**

**[simpli-home.com/customer-support](https://simpli-home.com/customer-support)**

**PLEASE ENSURE TO HAVE THE MODEL #  
FROM THE PACKAGING OR  
INSTRUCTION BOOKLET**

**IMPORTANT** : Please read this manual carefully before beginning assembly of this product. Keep this manual for future reference.

## SAFETY INFORMATION

Identify all the parts and hardware. Do not discard of the packaging until you have checked that you have all of the parts and hardware required. Hardware package may have spare parts.

**WARNING:** This item contains small parts which can be swallowed by children and pets. Keep children and pets away during assembly. To avoid danger of suffocation, always keep plastic bags away from children and pets.

We recommend that you assemble this unit on a carpeted floor to avoid scratches. We do not recommend the use of power tools for assembly as this could damage the unit. Only use manual tools.

**May require 2 people for ease of assembly.**

## CARE and MAINTENANCE

To clean, use a soft or slightly damp cloth, then wipe with a clean, dry cloth. Dust with soft dry cloth.

Do not use ammonia-based cleaning products, as they will damage the finish.

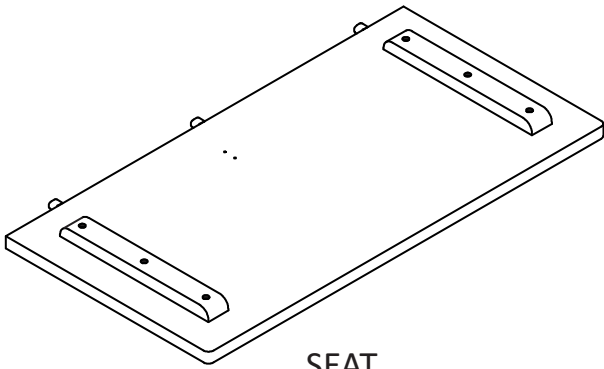
Do not leave liquids or damp cloths on this furniture.

To avoid dulling of the finish, do not place furniture in direct sunlight.

Please inspect and tighten all screws or bolts on a regular basis to ensure proper performance and safety of your item.

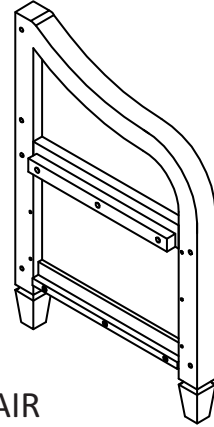
**PARTS DESCRIPTION**

**A**



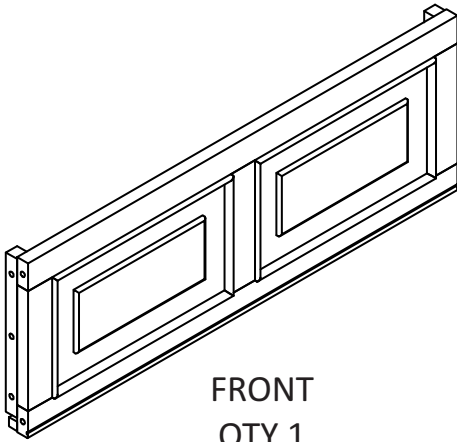
SEAT  
QTY 1

**B**



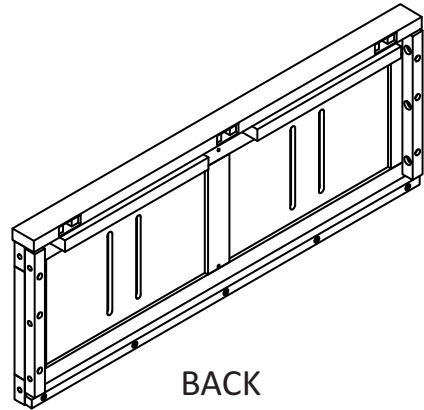
SIDE  
QTY 1 PAIR

**C**



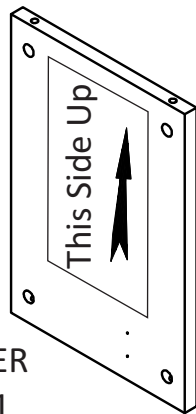
FRONT  
QTY 1

**D**



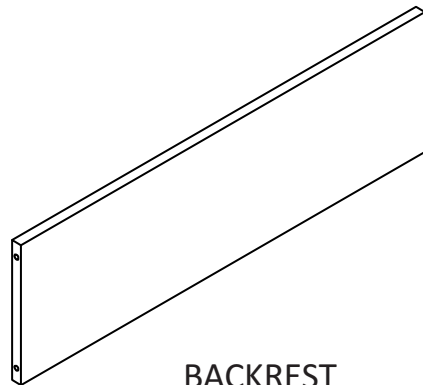
BACK  
QTY 1

**E**



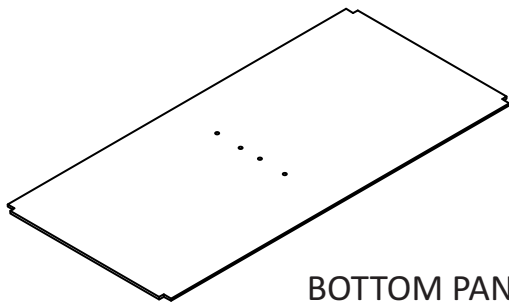
DIVIDER  
QTY 1

**F**



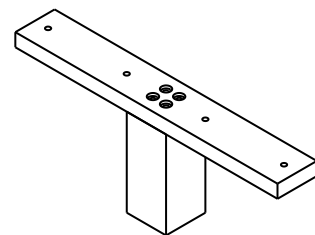
BACKREST  
QTY 1

**G**



BOTTOM PANEL  
QTY 1

**H**

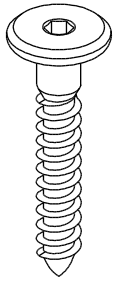


BOTTOM SUPPORT LEG  
QTY 1

**NEED HELP?** For help with assembly or if you are missing a part,  
Please call customer service at 1-866-518-0120 ext. 262 (9 am to 5 pm EST)

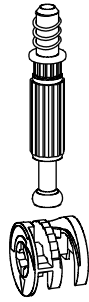
HARDWARE DESCRIPTION

1



ALLEN KEY SCREW  
M6 x 30 mm  
QTY 12

2



CAM LOCK PIN  
CAM LOCK  
QTY 4 SET

3



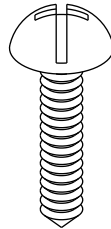
WOOD DOWEL  
Ø8 X 30 mm  
QTY 8

4



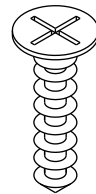
ALLEN KEY  
QTY 1

5



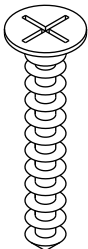
PHILLIPS SCREW ROUND HEAD  
M4 X 15 mm  
QTY 4

6



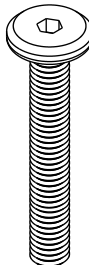
PHILLIPS SCREW  
M4 X 15 mm  
QTY 6

7



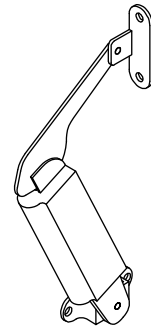
PHILLIPS SCREW  
M4 X 30 mm  
QTY 4

8



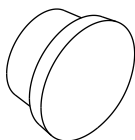
ALLEN KEY BOLT  
M6 x 50 mm  
QTY 4

9

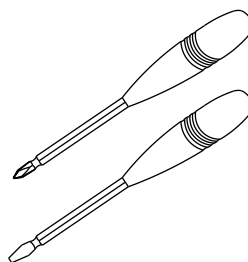


LID SUPPORT  
QTY 1

10

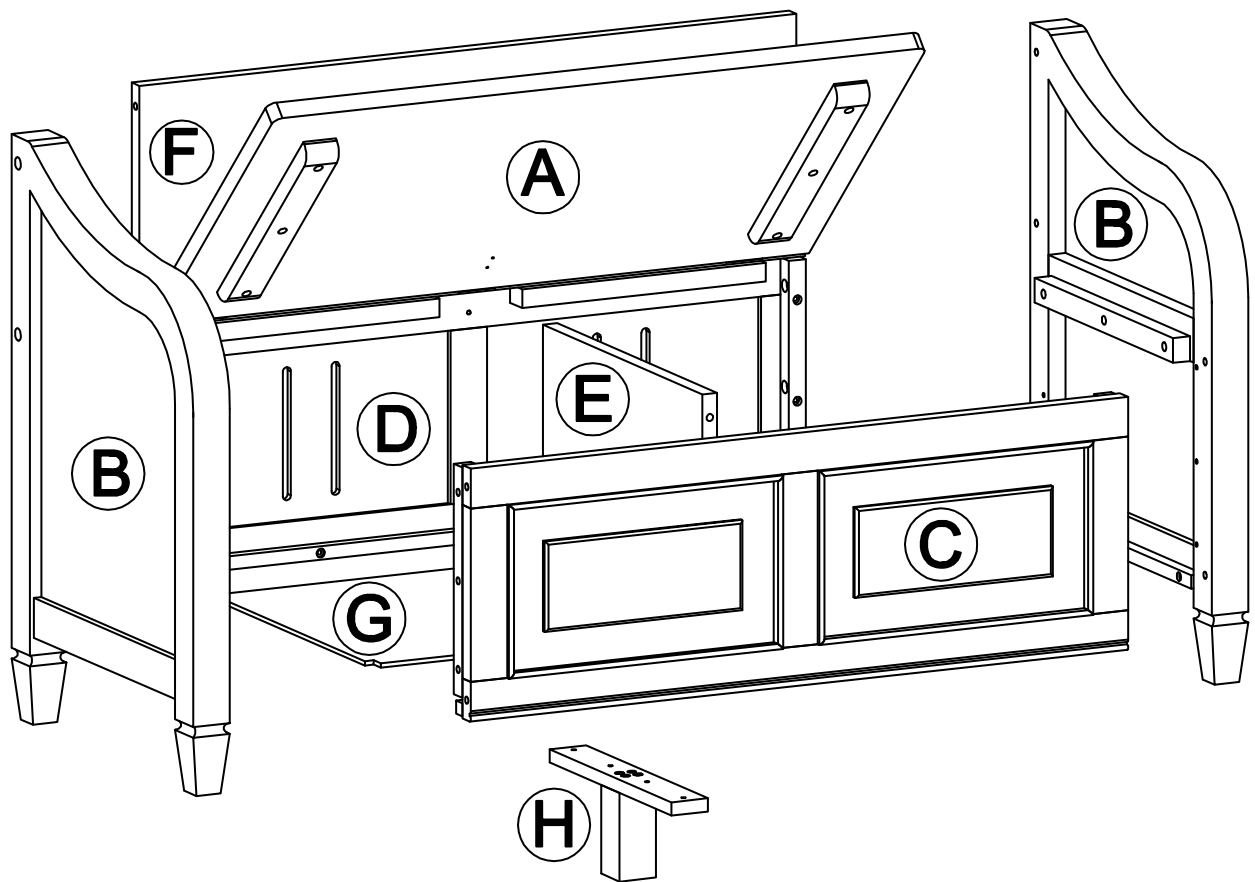


WOOD BOLT CAP  
QTY 4

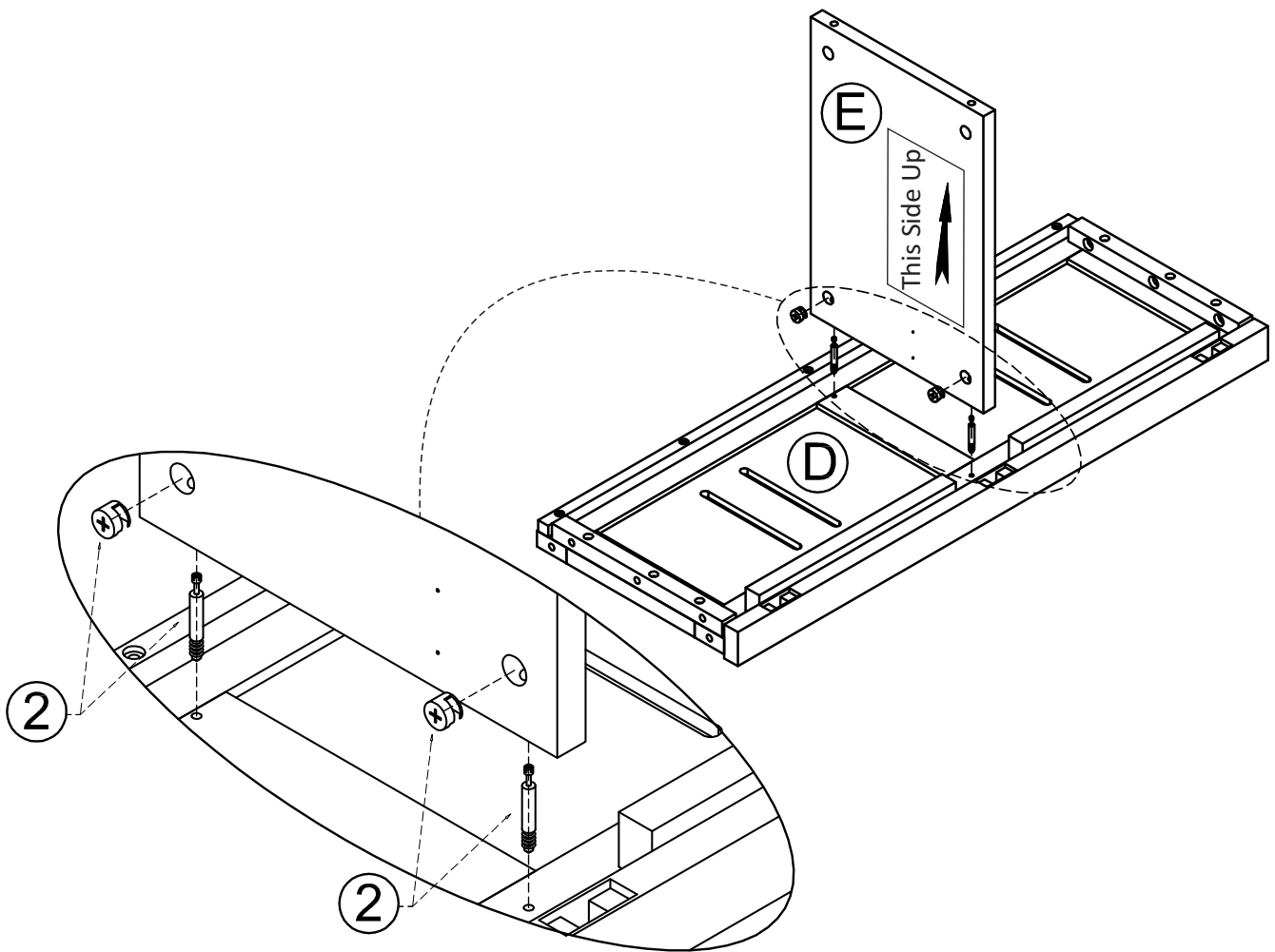


Required -  
Flathead screwdriver  
Phillips screwdriver  
**Not Included**

**NEED HELP?** For help with assembly or if you are missing a part,  
Please call customer service at 1-866-518-0120 ext. 262 (9 am to 5 pm EST)

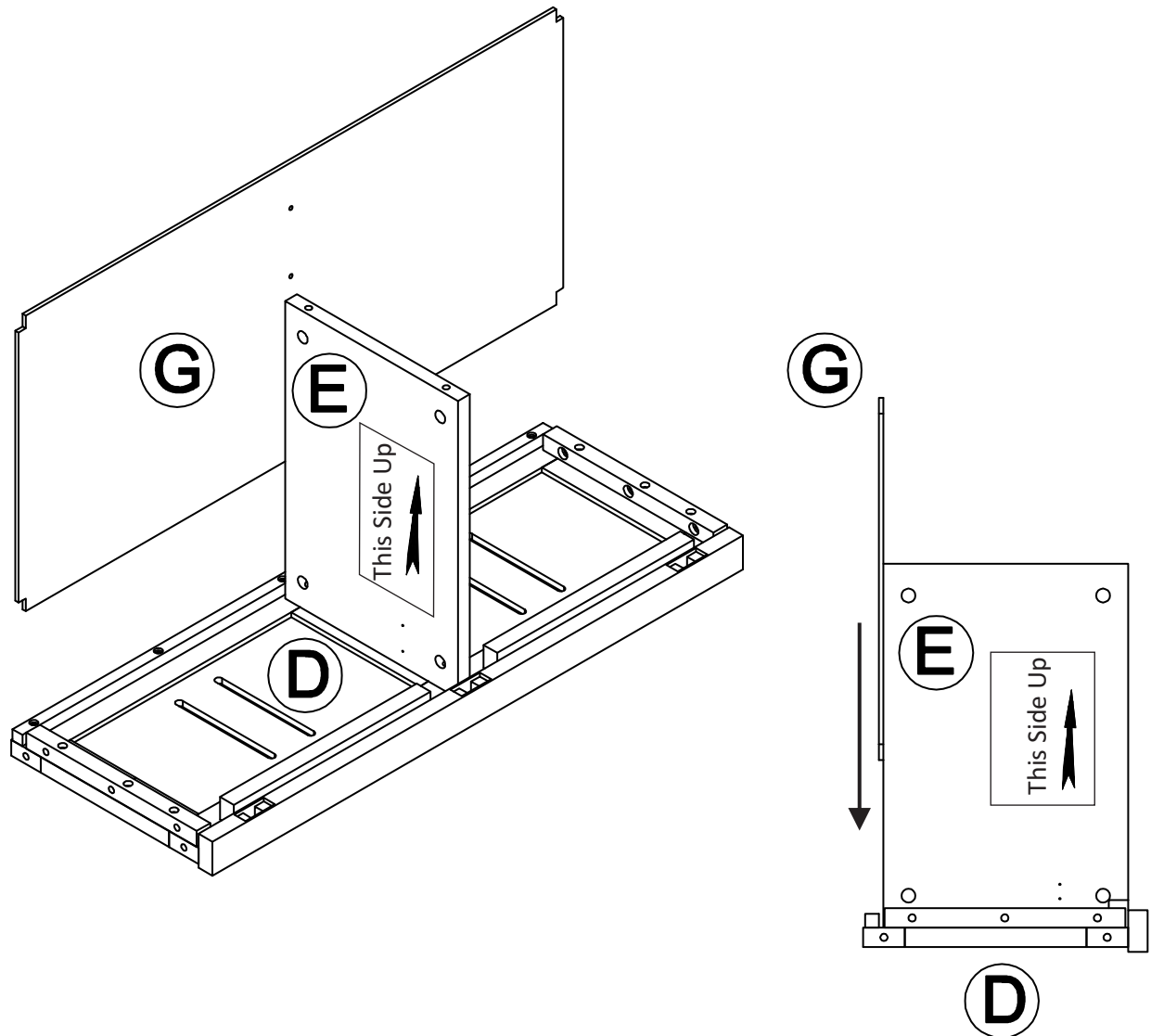


## STEP 1



1. Attach 2 Cam Lock Pins (2) to Back (D) into guide holes.
2. Align and insert Cam Lock Pins on Back (D) into pre-drilled holes on Dividers (E).  
( Note: please pay close attention to the location of the 2 small guide holes which accommodate the lid support. They need to be on the same side as the holes of cross hinges ).
3. Place 2 Cam Locks (2) into pre-drilled holes on Dividers (E).
4. Use a flathead screwdriver to tighten Cam Locks into Pins.

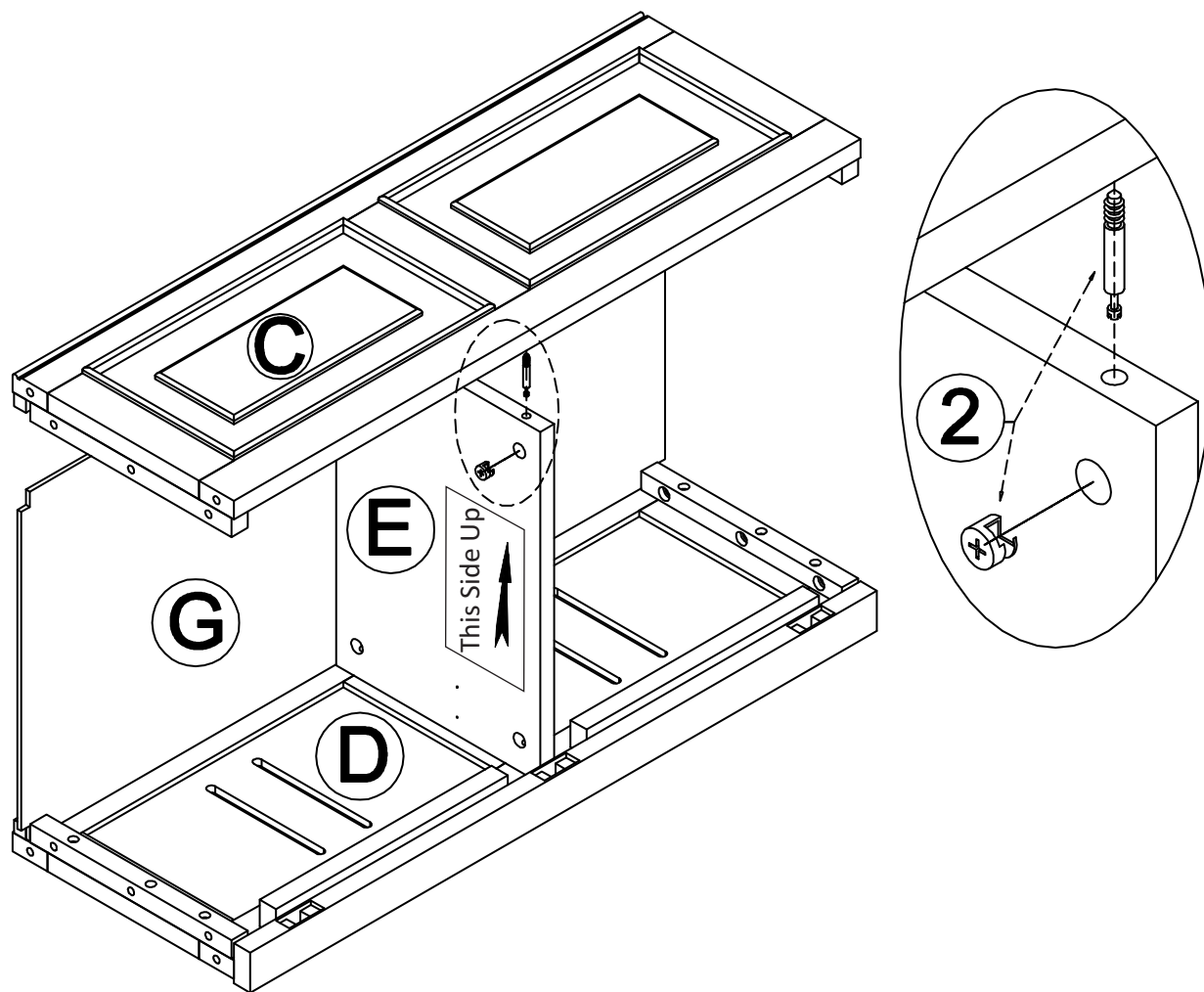
## STEP 2



1. Attach Bottom Panel (G) to Divider (E) & Back (D) by sliding on the gap between Divider (E) & the long rail on Back (D).

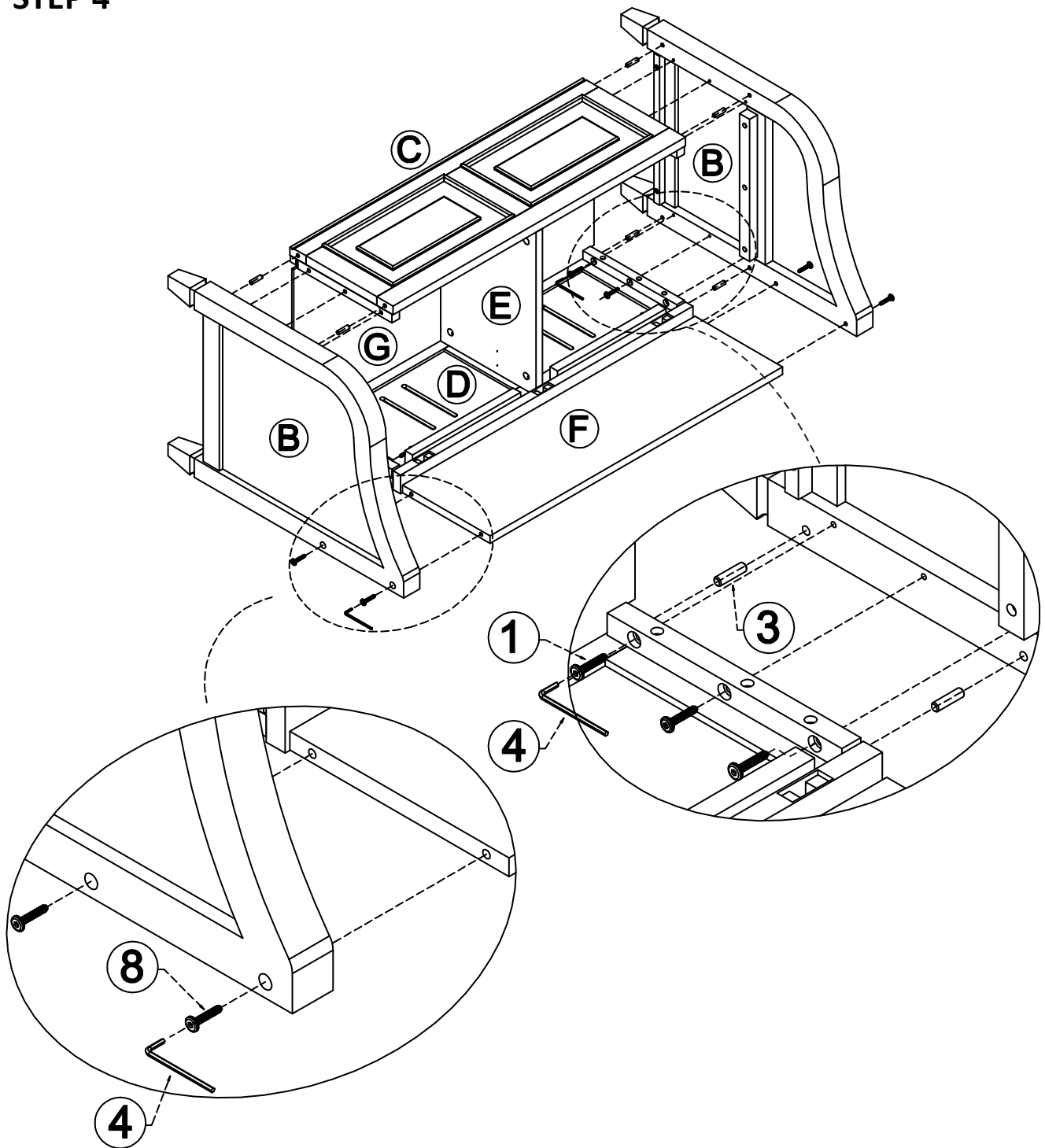


## STEP 3



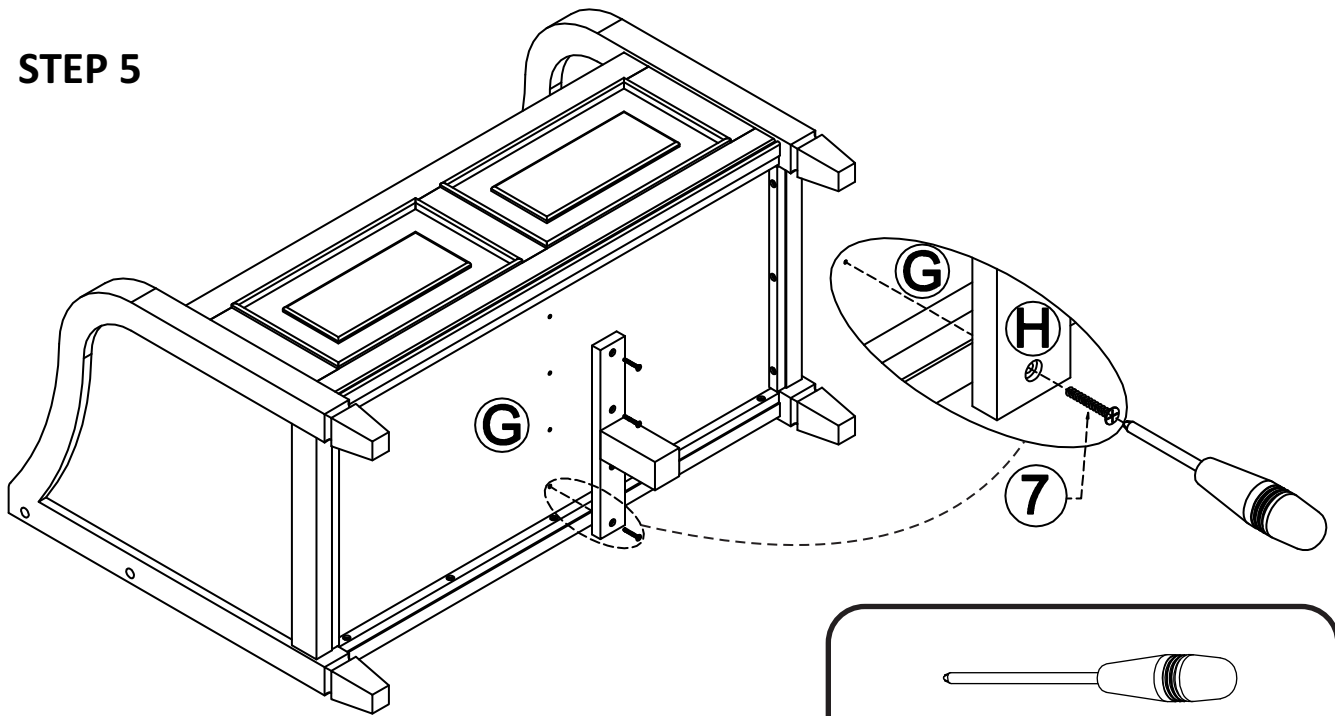
1. Attach 2 Cam Lock Pins (2) to Front (C) into guide holes.
2. Align and insert Cam Lock Pins on Front (C) into pre-drilled holes on Dividers (E).
3. Place 2 Cam Locks (2) into pre-drilled holes on Dividers (E).
4. Use a flathead screwdriver to tighten Cam Locks into Pins.

STEP 4



1. Insert 4 Dowels (3) into each Side (B) at specified location.
2. Align pre-drilled holes on side bars of Front (C) & Back (D) with Dowel (3) on Sides (B).
3. Attach Front (C) & Back (D) to Sides (B) using 12 Allen Key Screws (1) through pre-drilled holes ( 6 Screws / each Side (B) ).
3. Attach Backrest (F) to Sides (B) using 4 Allen Key Bolts (8) through pre- drilled holes ( 2 Screws / each Side (B) ).
4. Use Allen Key (4) to tighten Screws. Do not over-tighten.

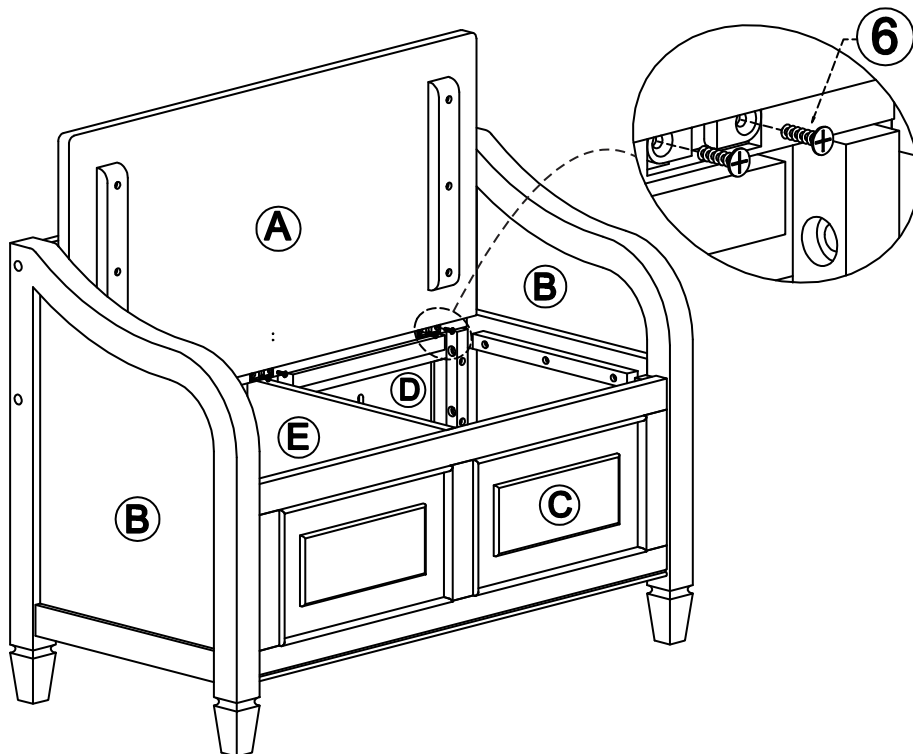
STEP 5



**NOTE:** The screwdriver is not included in the hardware pack.

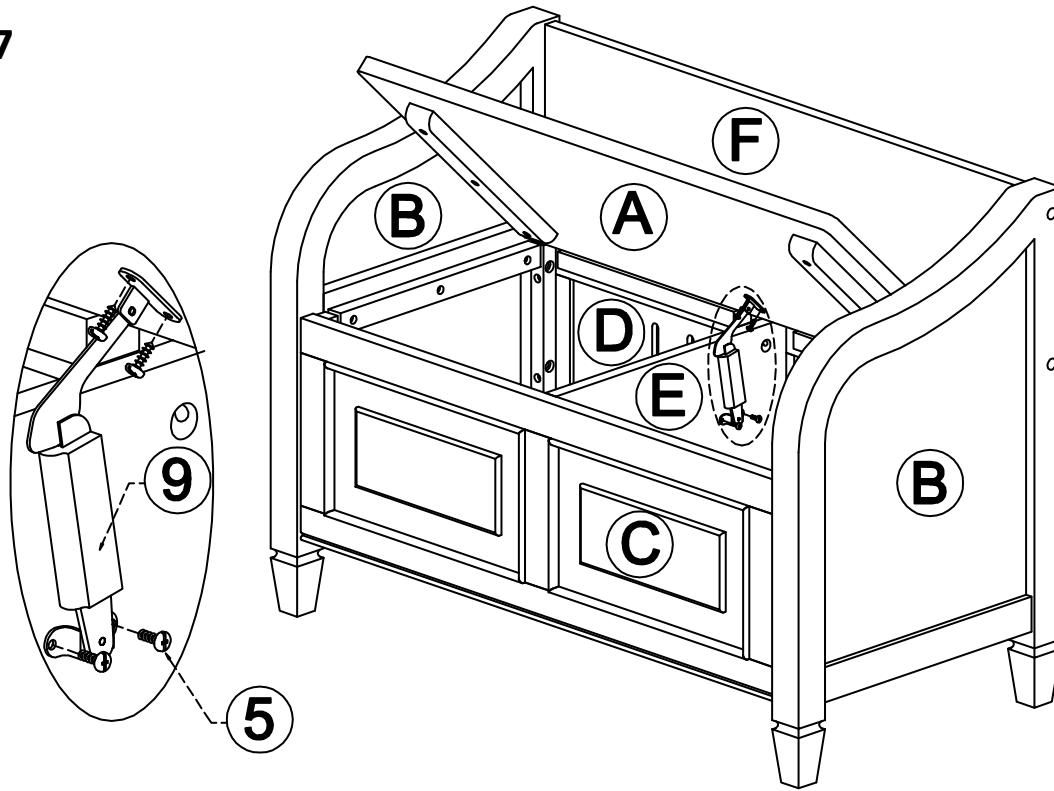
1. Attach Bottom Support Leg (H) into pre-drilled holes of Bottom Panel (G) using 4 Phillips Screws (7).
2. Use Phillips screwdriver to tighten Screws. Do not over-tighten.

STEP 6



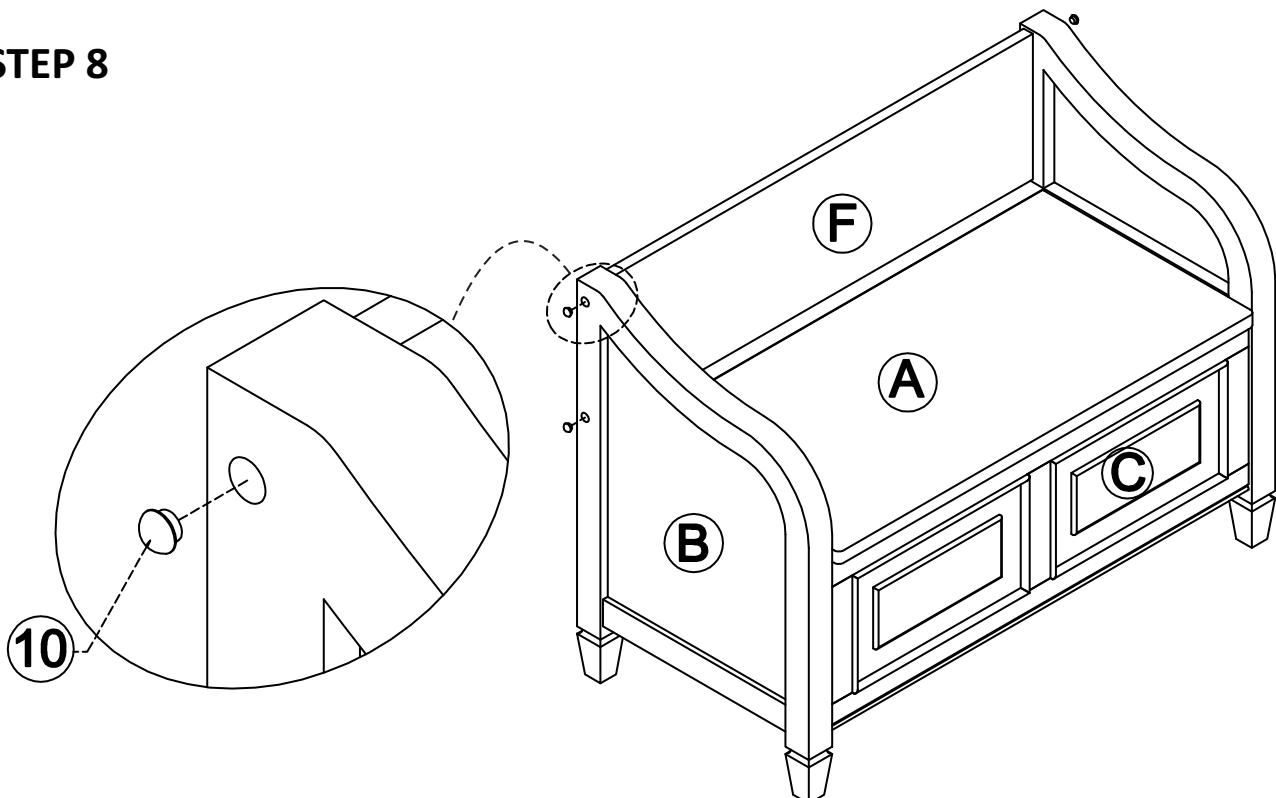
1. Attach Seat (A) to Back (D) using 6 Phillips Screws (6) ( using guide holes on bar of Back ).
2. Use phillips screwdriver to tighten Screws. Do not over-tighten.

STEP 7



1. Attach Lid Supports (9) into pre-drilled holes of Seat (B) and Divider (E) using Phillips Screws Round Head (5).
2. Use phillips screwdriver to tighten Screws. Do not over-tighten.

STEP 8



1. Insert 4 Wood Bolt Caps (10) into exposed bolt holes on side of bench.



## WARRANTY

Thank you for purchasing a **Simpli Home – Wyndenhall – Brooklyn + Max** product. These products have been made to demanding, high-quality standards and are guaranteed for domestic use against manufacturing faults for a period of 12 months from the date of purchase. This warranty does not affect your statutory rights.

In case of any malfunction of your product (failure, missing parts, etc.) please contact us at our toll free service line at 1-866-518-0120 ext. 262 from 9 am to 5 pm, Monday to Friday, Eastern Standard Time or by email at [simpli-home.com/customer-support](mailto:simpli-home.com/customer-support).

We reserve the right to repair or replace the defective product, at its discretion.

This product is guaranteed for 12 months if used for normal purposes. Any warranty is invalid if the product has been overloaded or subject to neglect, improper use or an attempted repair by other than an authorized agent. Heavy-duty or daily professional/commercial usage are not guaranteed.

Due to continuous product improvement, we reserve the right to change the product specifications without prior notice.

**PLEASE NOTE:** This item is hand-crafted and hand-finished with utmost care. As such, variations and imperfections should be expected and should be welcomed as the natural beauty of the wood.



## Question, problems, missing parts?

Before returning please email Customer Support at  
[simpli-home.com/customer-support](mailto:simpli-home.com/customer-support)

or call

Customer Service at 1-866-0518-0120 ext. 262  
Monday to Friday between 9 am – 5 pm EST

For more information visit us on our website  
[www.simpli-home.com](http://www.simpli-home.com)

Like us on facebook  
[www.facebook.com/simplihomefurnishings](http://www.facebook.com/simplihomefurnishings)

**SIMPLI**<sup>™</sup>  
HOME

WyndenHall<sup>™</sup>  
HOME DECOR

brooklyn + max<sup>™</sup>

**ENTER  
TO WIN**

**Upload an image of our furniture in your home with a short review to our facebook page and have a chance to**

**Win your choice of any one of  
Simpli Home furniture pieces  
Free!!!**

[www.facebook.com/simplihomefurnishings](http://www.facebook.com/simplihomefurnishings)

(draws monthly – shipping included)

(vanities not included)

