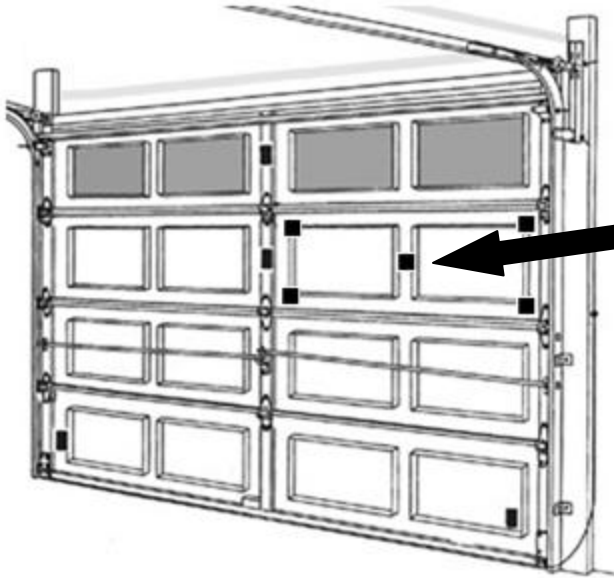
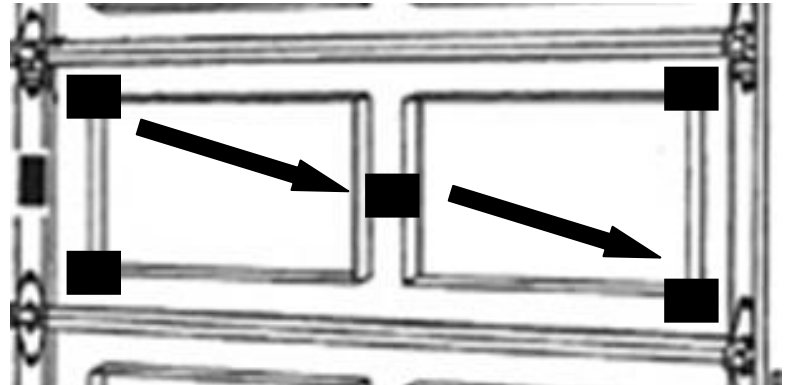




## REACH Barrier – Garage Door Insulation Kit Install Instructions:



Begin by cleaning the surface of the inside door panels where the adhesive squares (Stick'ems™) will be used to hold the radiant barrier panels in place. Don't trim the panels if possible!



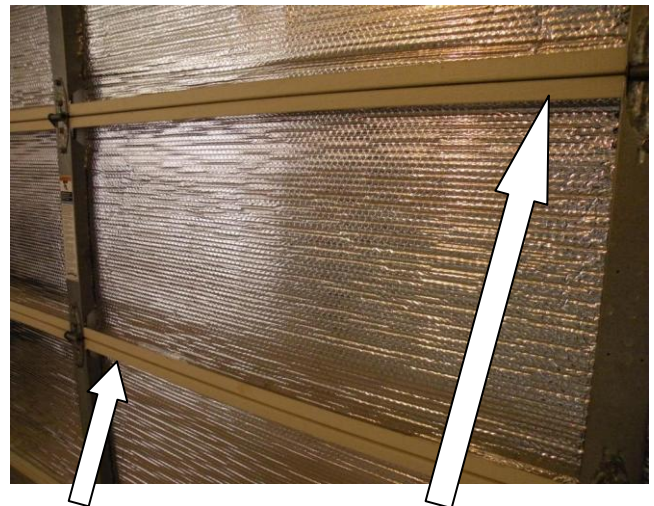
**NOTE:** The white side of the panel needs to be against the door, (You will see the silver).

**Practice/Step 1:** It is best to use the extra size of the panel to help hold the panel in place. Simply “push” and “move” the panel in the proper position within the panel to the desired fit (*before using the Stick'ems™ adhesive squares!*) The panels can be trimmed but *only* if necessary. Once you “see” how the panels will fit proceed to the next step.

**Step 2:** Peel off backing of a Stick'ems™ and stick one (1) in each of the four corners of the garage door panel and one (1) in the center as shown. Once the Stick'ems™ have been stuck to the door peel off the top layer of paper to reveal the other sticky surface below.

**Step 3:** Once you have the Stick'ems™ in place and removed the paper to reveal the sticky surface, the radiant barrier panels can be pushed into place ( like you did in practice! – Step 1 )

**Finish:** Stick'ems™ require 24 hours to become fully stuck.



**For improved thermal performance, add 3/4” air space between Reflective Air and door. This can be done by attaching to door framing rather than to the door panel**

**NOTE:** There are eight (8) radiant barrier panels in the kit. Each panel is 4 feet in length. It is recommended that you use five (5) Stick'ems™ per panel. 48 squares are included in your kit to complete the installation.