



PLAYGROUND

MODEL N° 90042

OWNER'S MANUAL

COPY

Keep this Product ID Number and use when contacting Customer Service:

REGISTER YOUR PRODUCT ONLINE AT WWW.LIFETIME.COM

At Lifetime, we are committed to providing innovative and quality products. While registering, you will have the opportunity to give us your feedback. Your input is valuable to us.

- You can also opt in to receive new product notifications or promotions.
- In the unlikely event of a product recall or safety modification, your registration provides the information we need to notify you directly.
- Registration is fast, easy, and completely voluntary.

LIFETIME'S PROMISE TO YOU:

Maintaining your privacy is our long-standing policy at Lifetime. And you can rest assured that Lifetime will not sell or provide your personal data to other third parties, or allow them to use your personal data for their own purposes.

We invite you to read our privacy policy at www.lifetime.com

REGISTER today!

Save this owner's manual for future reference and in the event that the manufacturer has to be contacted.

****U.S. and Canada customers ONLY****

IF ASSISTANCE IS NEEDED,

DO NOT CONTACT THE STORE!

CALL OUR CUSTOMER SERVICE DEPARTMENT at 1 (800) 225-3865

HOURS: 7:00 a.m. to 5:00 p.m. Monday through Friday (Mountain Standard Time)

Call or visit our Web site for Saturday hours

Lifetime Products, Inc.

PO Box 160010 • Freeport Center, Bldg. D-11 Clearfield, Utah 84016-0010

For customers outside the U.S. or Canada, please contact the store for assistance.



SAFETY INSTRUCTIONS



FAILURE TO FOLLOW THESE WARNINGS MAY RESULT IN SERIOUS INJURY OR PROPERTY DAMAGE AND WILL VOID WARRANTY.

To ensure safety, do not attempt to assemble this product without reading and following all instructions carefully. Check the entire box and inside all packing materials for parts and/or additional instruction material. Before beginning assembly, identify and inventory all parts and hardware using the parts and hardware lists and identifiers in this document. Proper and complete assembly, use and supervision are essential for proper orientation and to reduce the risk of accident or injury. A high probability of serious injury exists if this product is not installed, maintained, and/or operated properly. Failure to comply with any of the warnings in this instruction manual may result in serious personal injuries such as cuts, broken bones, nerve damage, paralysis, brain injury, or death. Failure to comply may also result in property damage. Please heed all warnings and cautions.

Most injuries are caused by misuse and/or not following instructions. Use caution when using this product.

***This product is intended for use by children ages 3 to 12,
and is for outdoor residential use only.***

BEFORE BEGINNING ASSEMBLY



Keep the hardware bags and their contents separate. If any parts are missing, call our Customer Service Department.



Identify and inventory all parts and hardware using the parts and hardware lists and identifiers in this document.



Test fit all Bolts by inserting them into their respective holes. If necessary, carefully scrape away any excess powder coating buildup from inside the holes. Do not scrape away all of the powder coating. Bare metal may rust. You may need to pound some Bolts into place with a hammer or mallet.



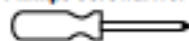
****Two adults required to complete assembly****

Only adults should set up the product. Do not allow children in the setup area until assembly is complete.



TOOLS AND PARTS REQUIRED FOR THIS ASSEMBLY

Phillips Screwdriver



(1)

5/8" Wrench



(1)

1/2" Wrench



(2)

1/4" Allen Wrench



(1, included)

Ladder



(1)

1/2" Socket Wrench



(1)

Rubber Mallet



Electric Drill



3/16" Allen Wrench



(2, included)

1/4" Drill Bit



(1)

5/16" Drill Bit



(1)

ASSEMBLY GUIDES

Refer to the following areas throughout the instructions to assist in the assembly process:

This area is located at the top, left-hand corner of the page and indicates which tools and hardware are needed to complete the assembly steps on a page.



TOOLS AND HARDWARE REQUIRED FOR THIS PAGE

This area is located at the top, right-hand corner of the page and shows an image of the product with shaded parts indicating which section is being assembled.

SEC #

This area is usually located in the bottom, left-hand corner of a step and indicates that special attention is needed to perform a particular part of a step.



Note:

These areas are usually located in the bottom, right-hand corner of a step and indicate that damage to the product or serious injury may occur if the caution or warning is not heeded.



CAUTION



WARNING

****IMPORTANT SAFETY INFORMATION****

PLEASE READ BEFORE BEGINNING ASSEMBLY:

INSTALLATION & GROUND PREPARATION INSTRUCTIONS

- Place the equipment on a level, well-drained ground, not less than 6 ft (1.8 m) from any structure or obstruction such as a fence, garage, or house.
- Provide enough room so that children can use the equipment safely. For example, for structures with multiple play activities, a slide should not exit in front of a swing.
- Separate active and quiet activities from each other. For example, locate sandboxes away from swings or use a guardrail or barrier to separate the sandbox from the movement of the swings.
- Do not install home playground equipment over concrete, asphalt, packed earth, grass, carpet, or any other hard surface. A fall onto a hard surface can result in serious injury to the equipment user (see page 7).
- To prevent serious injury, warn children that they must not use the equipment until properly installed.
- Create a site free of obstacles that could cause injuries – such as low overhanging tree branches, overhead wires, tree stumps and/or roots, large rocks, bricks, and concrete.
- Choose a level location for the equipment. This can reduce the likelihood of the play set tipping over and loose-fill surfacing materials washing away during heavy rains
- For any questions call our Customer Service Department at 1-800-225-3865 for more information.

PLAYGROUND AND SURFACE MATERIALS INSTRUCTIONS

- Use containment, such as digging out around the perimeter and/or lining the perimeter with landscape edging.
- Do not install loose fill surfacing over hard surfaces such as concrete or asphalt.
- Installations of rubber tiles or poured-in-place surfaces (other than loose-fill materials) generally require a professional and are not “do-it yourself” projects.
- Use Playground Surfacing Materials (other than loose-fill material) which comply to the safety standard ASTM F1292 Standard Specification for Impact Attenuation of Surfacing Materials within the Use Zone of Playground Equipment.

OPERATING INSTRUCTIONS

Observing the following instructions and warnings reduces the likelihood of serious or fatal injury:

- The maximum number of occupants that may safely use the entire play set including all components is eight with a maximum weight of 900 pounds (408 kg).
- On-site adult supervision should be provided for children of all ages.
- Instruct children not to walk close to, in front of, behind, or between moving items.
- Do not move the equipment while it is in use.
- Instruct children not to twist swing chains or ropes or loop them over the top support bar since this may reduce the strength of the chain or rope.
- Instruct children to avoid swinging empty seats.
- Teach children to sit in the center of the swings with their full weight on the seats.
- Instruct children not to use the equipment in a manner other than intended.
- Instruct children not to get off the equipment while it is in motion.
- To prevent entanglement and strangulation, dress children appropriately using well-fitting shoes and avoiding ponchos, scarves, jackets with neck drawstrings, helmets with straps, and other loose-fitting clothing that is potentially hazardous while using equipment.
- Instruct children not to play when the equipment is wet.
- Instruct children not to attach items to the playground equipment that are not specifically designed for use with the equipment, such as, but not limited to, jump ropes, clothesline, pet leashes, cables and chain as they may cause a strangulation hazard.

MAINTENANCE INSTRUCTIONS

If routine checks and maintenance procedures are not done, the equipment could overturn and/or become a hazard.

At the beginning of each play season:

- Tighten all hardware.
- Lubricate all metallic moving parts.
- Check all protective coverings on bolts, pipes, edges and corners. Replace if they are loose, cracked or missing.
- Check all moving parts including swing seats, ropes, cables and chains for wear, rust or other deterioration. Contact customer service for replacement parts.
- Check metal parts for rust. If found, sand and repaint using a non lead-based paint meeting the requirements of 16 CFR 1303.
- Reinstall any plastic parts, such as swing seats or any other items that were removed for the cold season.
- Rake and check depth of loose fill protective surfacing materials to prevent compaction and to maintain appropriate depth. Replace as necessary. (See page 5)

Twice a month during play season:

- Tighten all hardware.
- Check all protective coverings on bolts, pipes, edges and corners. Replace if they are loose, cracked or missing.
- Rake and check depth of loose fill protective surfacing materials to prevent compaction and to maintain appropriate depth. Replace as necessary. (See page 5)

Once a month during play season:

- Lubricate all metallic moving parts.
- Check all moving parts including swing seats, ropes, cables and chains for wear, rust or other deterioration. Contact customer service for replacement parts.

At the end of each play season or when the temperature drops below 40°F (5°C):

- Remove plastic swing seats and the trapeze swing and take them indoors or do not use.
- Rake and check depth of loose fill protective surfacing materials to prevent compaction and to maintain appropriate depth. Replace as necessary. (See page 5)
- If the warning sticker is illegible, destroyed, or removed contact the Customer Service Department at 1-800-225-3865 for a replacement.

Disposal Instructions: Disassemble and dispose of the playground equipment in such a way that no unreasonable hazards will exist at the time the equipment is discarded. Follow all local disposal requirements.

CONSUMER INFORMATION SHEET FOR PLAYGROUND SURFACING MATERIALS*

The U.S. Consumer Product Safety Commission (CPSC) estimates that about 100,000 playground equipment related injuries resulting from falls to the ground surface are treated annually in U.S. hospital emergency rooms. Injuries involving this hazard pattern tend to be among the most serious of all playground injuries, and have the potential to be fatal, particularly when the injury is to the head. The surface under and around playground equipment can be a major factor in determining the injury causing potential of a fall. It is self evident that a fall onto a shock-absorbing surface is less likely to cause a serious injury than a fall onto a hard surface. Playground equipment should never be placed on hard surfaces such as concrete or asphalt and while grass may appear to be acceptable, it may quickly turn to hard packed earth in areas of high traffic. Shredded bark mulch, wood chips, fine sand or fine gravel are considered to be acceptable shock-absorbing surfaces when installed and maintained at a sufficient depth under and around playground equipment.

Table 1 lists the maximum height from which a child would not be expected to sustain a life-threatening head injury in a fall onto different loose-fill surfacing materials if they are

installed and maintained at depths of 6, 9, and 12 inches. However, it should be recognized that all injuries due to falls cannot be prevented no matter what surfacing material is used.

It is recommended that a shock-absorbing material should extend a minimum of 6 ft. in all directions from the perimeter of stationary equipment such as climbers and slides. However, because children may deliberately jump from a moving swing, the shock absorbing material should extend in the front and rear of a swing a minimum distance of 2 times the height of the pivot point measured from a point directly beneath the pivot on the supporting structure.

This information is intended to assist in comparing the relative shock-absorbing properties of various materials. No particular material is recommended over another. However, each material is only effective when properly maintained. Materials should be checked periodically and replenished to maintain correct depth as determined necessary for your equipment. The choice of a material depends on the type and height of the playground equipment, the availability of the material in your area, and its cost.

*****The maximum fall height for this product is 108 in (274 cm).
We recommend using 9 in (23 cm) of Double Shredded Bark Mulch.*****

TABLE 1 — Depth of Surfacing Material Required Based on Fall Heights

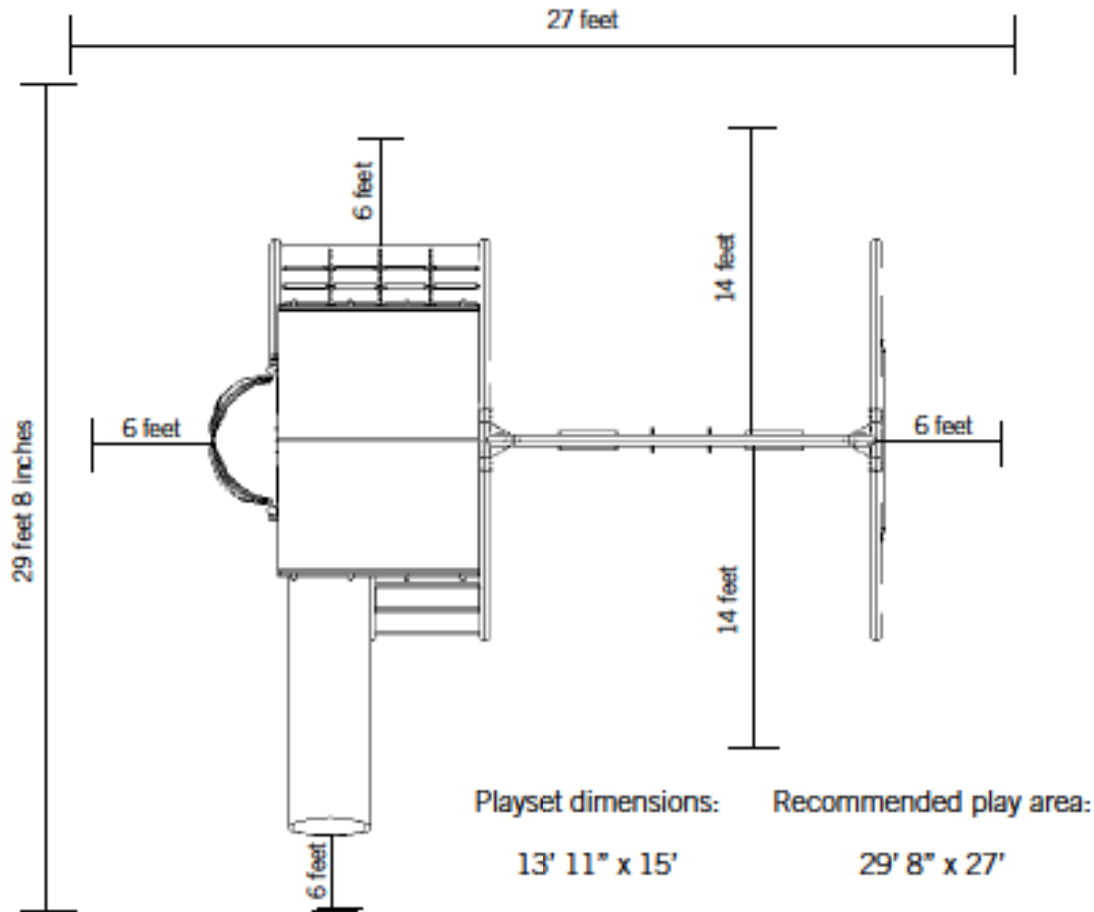
Material / Fall Height	5 ft (152 cm)	6 ft (183 cm)	7 ft (213 cm)	9 ft (274 cm)	10 ft (305 cm)	11 ft (335 cm)	12 ft (366 cm)
Double Shredded Bark Mulch	--	6 in (15 cm)	--	--	9 in (23 cm)	12 in (30 cm)	--
Wood Chips	--	6 in (15 cm)	9 in (23 cm)	--	--	--	12 in (30 cm)
Fine Sand	6 in (15 cm)	--	9 in (23 cm)	12 in (30 cm)	--	--	--
Fine Gravel	--	6 in (15 cm)	9 in (23 cm)	--	12 in (30 cm)	--	--
Shredded Tires***	--	--	--	--	6 in (15 cm)	--	--

*This information has been extracted from the CPSC publications "Playground Surfacing--Technical Information Guide" and "Handbook for Public Playground Safety." Copies of these reports can be obtained by sending a postcard to the: Office of Public Affairs, U.S. Consumer Product Safety Commission, Washington, D.C., 20207 or call the toll-free hotline: 1-800-638-2772.

***This data is from tests conducted by independent testing laboratories on a 6-inch depth of uncompressed shredded tire samples produced by four manufacturers. It is recommended that persons seeking to install shredded tires as a protective surface request test data from the supplier showing the critical height of the material when it was tested in accordance with ASTM F1292.

Safety Zone

Place the equipment no less than 6 ft. (1.8 m) from any structure or obstruction such as a fence, garage, house, overhanging branches, laundry lines, or electrical wires. Make sure the clearance in front of and behind the swings is at least twice the height of the swing bar. The impact surfacing needs to cover the entire recommended play area. Refer to the example below.



USE AT YOUR OWN RISK!

***USING A DRILL IS NOT RECOMMENDED
FOR DRIVING BOLTS.***

***A cordless drill can be used for driving screws;
however, care should be taken not to over-tighten or strip screws.***

PARTS LIST

ID	Item Description	Qty	✓	ID	Item Description	Qty	✓
CEL	PLAYGROUND KIT 1			CEM	PLAYGROUND KIT 2, Continued		
CBG	A-Frame Pole	2	<input type="checkbox"/>	CCI	3-Hole Bracket	1	<input type="checkbox"/>
CBF	Ladder Side A-Frame Pole	1	<input type="checkbox"/>	CCJ	6-Hole Bracket	1	<input type="checkbox"/>
CBE	Cargo Side A-Frame Pole	1	<input type="checkbox"/>	CBO	Swing Bar	1	<input type="checkbox"/>
CAZ	Angled Ladder Leg	1	<input type="checkbox"/>	CEN	PLAYGROUND KIT 3		
CAY	Angled Cargo Net Leg	1	<input type="checkbox"/>	CCB	Roof Truss	8	<input type="checkbox"/>
CBN	Cargo Net Bottom Pole	1	<input type="checkbox"/>	CBL	Inside Deck Support	1	<input type="checkbox"/>
CBJ	Right Vertical Pole	1	<input type="checkbox"/>	CCA	Round Roof Tube	2	<input type="checkbox"/>
CBK	Left Vertical Pole	1	<input type="checkbox"/>	CEO	PLAYGROUND KIT 4		
CBU	Roof Tube	2	<input type="checkbox"/>	CCC	Roof Panel	4	<input type="checkbox"/>
CBV	A-Frame Roof Tube	1	<input type="checkbox"/>	CBZ	Chalkboard	1	<input type="checkbox"/>
CBW	Climbing Wall Roof Tube	1	<input type="checkbox"/>	CBR	Deck	1	<input type="checkbox"/>
CBY	Climbing Wall Pole	1	<input type="checkbox"/>	CEP	PLAYGROUND KIT 5		
CBI	Turn Bar	1	<input type="checkbox"/>	CCD	Binoculars	1	<input type="checkbox"/>
CEM	PLAYGROUND KIT 2			CCE	Steering Wheel	1	<input type="checkbox"/>
CBS	Rail, One Handle	4	<input type="checkbox"/>	CAB	Wheel Clicker Hub	1	<input type="checkbox"/>
CBT	Rail, Two Handle	2	<input type="checkbox"/>	CAA	Wheel Cap	1	<input type="checkbox"/>
CBA	Wall Side Deck Support	1	<input type="checkbox"/>	CCF	Plastic Seat	3	<input type="checkbox"/>
CBB	Cargo Side Deck Support	1	<input type="checkbox"/>	CCH	Soft Grip Chain	3	<input type="checkbox"/>
CBC	Ladder Side Deck Support	1	<input type="checkbox"/>	BKT	Belt Swing	2	<input type="checkbox"/>
CBD	Swing Side Deck Support	1	<input type="checkbox"/>	BKU	Trapeze Swing	1	<input type="checkbox"/>
CBQ	Ladder Rung	2	<input type="checkbox"/>	CBM	Cargo Net	1	<input type="checkbox"/>
CBP	Cross Brace	4	<input type="checkbox"/>		PLAYGROUND LARGE PARTS		
CCG	Under-Deck Swing Tube	3	<input type="checkbox"/>	BEK	Slide	1	<input type="checkbox"/>
				CBX	Climbing Wall Panel	2	<input type="checkbox"/>

HARDWARE LIST

ID	Item Description	Qty	✓	ID	Item Description	Qty	✓
CAM	A-Frame Assembly Hardware			CAK	Deck Assembly Hardware		
BZJ	Foot Cap	3	<input type="checkbox"/>	BTS	1/4" Barrel Nut	24	<input type="checkbox"/>
ARO	.343" Cap Plug	6	<input type="checkbox"/>	BZP	1/4" x 3 1/2" Shoulder Bolt	6	<input type="checkbox"/>
ARQ	7/16" x 2" Button Head Bolt	6	<input type="checkbox"/>	BZN	1/4" x 1 1/2" Shoulder Bolt	18	<input type="checkbox"/>
ARP	Pendulum	6	<input type="checkbox"/>	CUX	1 1/2" Square Plug Cap	4	<input type="checkbox"/>
ARR	7/16" Acorn Nut	6	<input type="checkbox"/>	AAF	3/8" Flat Washer	3	<input type="checkbox"/>
ARS	7/16" Small Nylon Washer	12	<input type="checkbox"/>	AOF	3/8" Plug	2	<input type="checkbox"/>
ART	7/16" Large Nylon Washer	12	<input type="checkbox"/>	ASB	5/16" x 2" Button Head Bolt	1	<input type="checkbox"/>
BTS	1/4" Barrel Nut	10	<input type="checkbox"/>	BZL	3" Flat Cap	2	<input type="checkbox"/>
BZO	1/4" x 3" Shoulder Bolt	10	<input type="checkbox"/>	ARL	1/4" Washer	1	<input type="checkbox"/>
CCL	3/16" Allen Wrench (not pictured)	2	<input type="checkbox"/>	ARU	5/16" x 2 1/2" Button Head Bolt	1	<input type="checkbox"/>
ASP	1/4" Allen Wrench (not pictured)	1	<input type="checkbox"/>	CAJ	Climbing Wall Hardware		
CAI	Deck Support Assembly Hardware			ADV	1/4 x 1 1/8" Screw	10	<input type="checkbox"/>
BZN	1/4" x 1 1/2" Shoulder Bolt	10	<input type="checkbox"/>	ADW	#10 x 3/4" Pan Head Screw	10	<input type="checkbox"/>
BZO	1/4" x 3" Shoulder Bolt	10	<input type="checkbox"/>	CAD	Chalkboard Assembly Hardware		
BTS	1/4" Barrel Nut	20	<input type="checkbox"/>	CHX	1/2" Plastic Spacer	2	<input type="checkbox"/>
AAF	3/8" Flat Washer	8	<input type="checkbox"/>	ASF	#14 x 1 1/4" Screw	2	<input type="checkbox"/>
ATV	5/16" x 3 3/4" Button Head Bolt	2	<input type="checkbox"/>	ARV	#14 x 3/4" Screw	3	<input type="checkbox"/>
ARL	1/4" Washer	3	<input type="checkbox"/>	CAE	Roof Assembly Hardware		
ARV	#14 x 3/4" Screw	8	<input type="checkbox"/>	ADV	1/4 x 1 1/8" Screw	48	<input type="checkbox"/>
ARO	.343" Cap Plug	2	<input type="checkbox"/>	BZN	1/4" x 1 1/2" Shoulder Bolt	8	<input type="checkbox"/>
BZM	Rectangular Tube Plug	6	<input type="checkbox"/>	ARO	.343" Cap Plug	4	<input type="checkbox"/>
BZL	3" Flat Cap	2	<input type="checkbox"/>	ARN	5/16" x 3/4" Button Head Bolt	8	<input type="checkbox"/>
BZJ	Foot Cap	3	<input type="checkbox"/>	BRL	5/16" Bonded Washer	4	<input type="checkbox"/>
CAC	Ladder Cap	2	<input type="checkbox"/>	CUX	1 1/2" Square Plug Cap	4	<input type="checkbox"/>
ARY	Cargo Net Pole Cap	2	<input type="checkbox"/>	ARL	1/4" Washer	8	<input type="checkbox"/>
ARU	5/16" x 2 1/2" Button Head Bolt	1	<input type="checkbox"/>	ASE	5/16" Nylock Nut	4	<input type="checkbox"/>
				BZS	1 1/2" Full Dome Cap	8	<input type="checkbox"/>
				BTS	1/4" Barrel Nut	8	<input type="checkbox"/>

HARDWARE LIST

ID	Item Description	Qty	✓	ID	Item Description	Qty	✓
CAF	Wheel Assembly Hardware			CAH	Slide Assembly Hardware		
ASH	5/16" x 2" Hex Bolt	1	<input type="checkbox"/>	ARX	5/16" x 1 1/4" Button Head Bolt	3	<input type="checkbox"/>
BRL	5/16" Bonded Washer	1	<input type="checkbox"/>	ARM	5/16" Acorn Nut	3	<input type="checkbox"/>
BZT	5/16" Nylock Jam Nut	1	<input type="checkbox"/>	ARL	1/4" Zinc Washer	6	<input type="checkbox"/>
BZU	5/16" x 3" Button Head Bolt	2	<input type="checkbox"/>	CAL	Swing Assembly Hardware		
ARM	5/16" Acorn Nut	2	<input type="checkbox"/>	BZY	5/16" x 2 1/2" Button Head Bolt	6	<input type="checkbox"/>
CAG	Binoculars Assembly Hardware			ASM	Quick Link	6	<input type="checkbox"/>
ARU	5/16" x 2 1/2" Button Head Bolt	1	<input type="checkbox"/>	ABK	5/16" Nylock Flanged Nut	3	<input type="checkbox"/>
BZN	1/4" x 1 1/2" Shoulder Bolt	1	<input type="checkbox"/>	ASL	5/16" x 1 1/8" Eye Bolt	3	<input type="checkbox"/>
ARM	5/16" Acorn Nut	1	<input type="checkbox"/>	CLUX	1 1/2" Square Plug Cap	6	<input type="checkbox"/>
BRL	5/16" Bonded Washer	2	<input type="checkbox"/>	ARM	5/16" Acorn Nut	6	<input type="checkbox"/>
BTS	1/4" Barrel Nut	1	<input type="checkbox"/>	ARL	1/4" Washer	3	<input type="checkbox"/>
BZV	Binoculars Bracket	1	<input type="checkbox"/>	CUY	Under-Deck Cap	1	<input type="checkbox"/>

PARTS IDENTIFIER

PLAYGROUND KIT 1 (CEL)

Parts shown at 10% of actual size



CBV (x1)

A-Frame Roof Tube



CBW (x1)

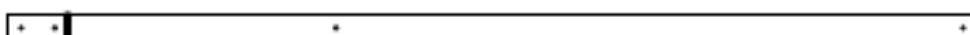
Climbing Wall Roof Tube



CBU (x2)

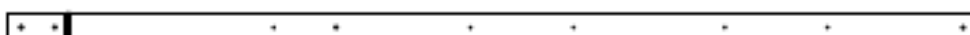
Roof Tube

Parts shown at 5% of actual size



CBG (x2)

A-Frame Pole



CBF (x1)

Ladder Side Pole



CBE (x1)

Cargo Side Pole



CBJ (x1)

Right Vertical Pole



CBK (x1)

Left Vertical Pole w/ Sticker



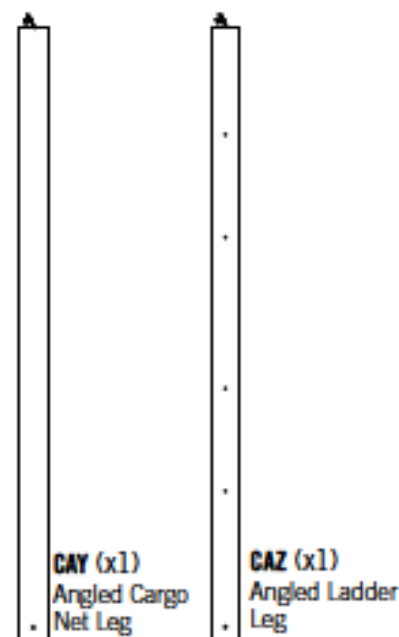
CBN (x1)

Cargo Net Bottom Pole



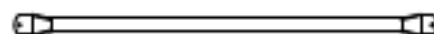
CBY (x1)

Climbing Wall Pole



CAY (x1)
Angled Cargo
Net Leg

CAZ (x1)
Angled Ladder
Leg



CBI (x1)
Turnbar

PARTS IDENTIFIER

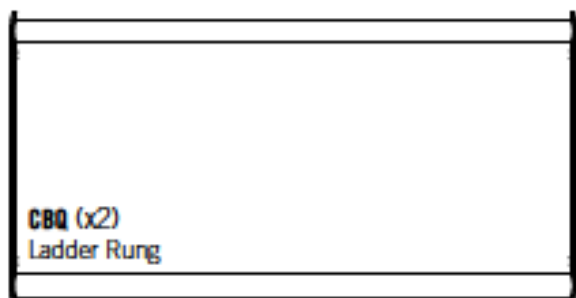
PLAYGROUND KIT 2 [CEM]

Parts shown at 5% of actual size

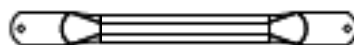


CB0 (x1)
Swing Bar

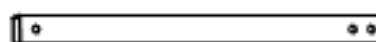
Parts shown at 10% of actual size



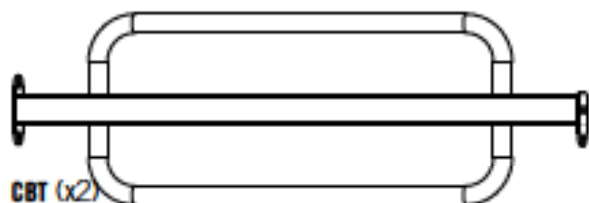
CBQ (x2)
Ladder Rung



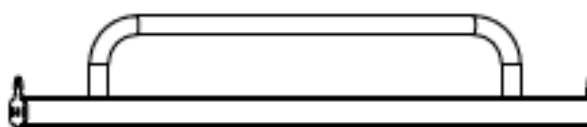
CBP (x4)
Cross Brace



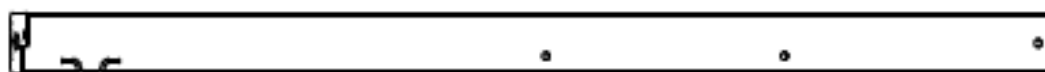
CCG (x3)
Under-Deck Swing Tube



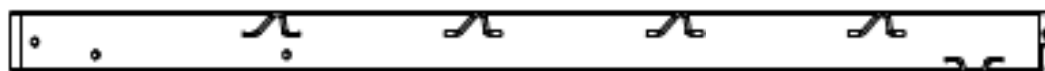
CBT (x2)
Two-Handle Rail



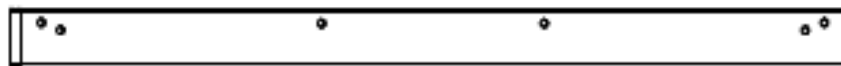
CBS (x4)
One-Handle Rail



CBC (x1)
Ladder Side Deck Support



CBB (x1)
Cargo Net Side Deck Support

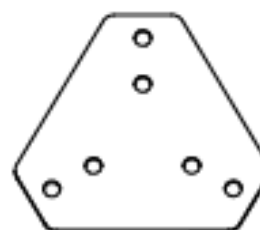


CBD (x1)
Swing Side Deck Support

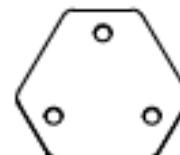


CBA (x1)
Wall Side Deck Support

Parts shown at 25% of actual size



CCJ (x1)
6-Hole Bracket



CCI (x1)
3-Hole Bracket

PARTS IDENTIFIER

PLAYGROUND KIT 3 [CEN]

Parts shown at 5% of Actual Size



CCA (x2)
Round Roof Tube



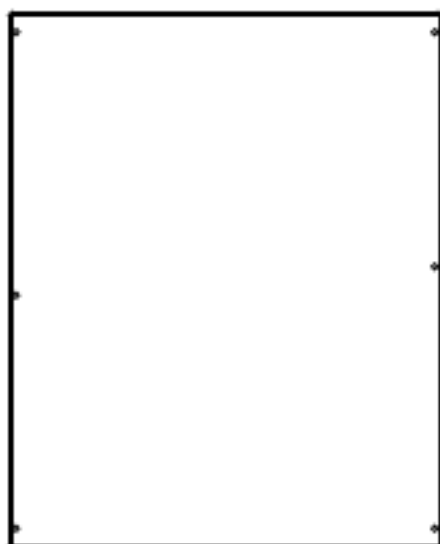
CCB (x8)
Roof Truss



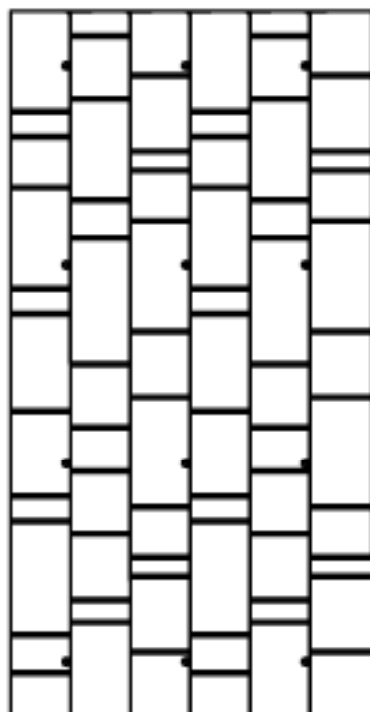
CBL (x1)
Inside Deck Support

PLAYGROUND KIT 4 [CEO]

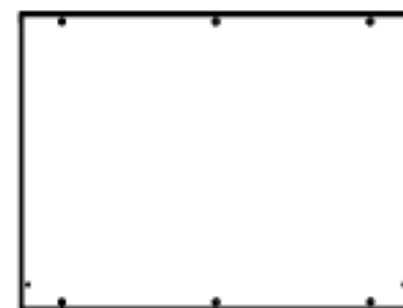
Parts shown at 5% of Actual Size



CBR (x1)
Deck



CCC (x4)
Roof Panel



CBZ (x1)
Chalkboard

PLAYGROUND KIT 5 [CEP]

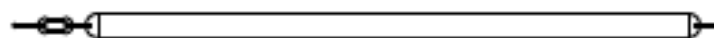
Parts shown at 10% of Actual Size



CCE (x1)
Captain's Wheel



CAB (x1)
Wheel Clicker Hub



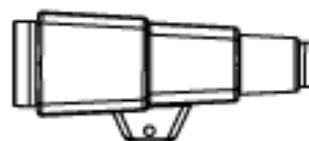
CCH (x3)
Soft Grip Chain



CAA (x1)
Wheel Cap



CCF (x3)
Plastic Seat

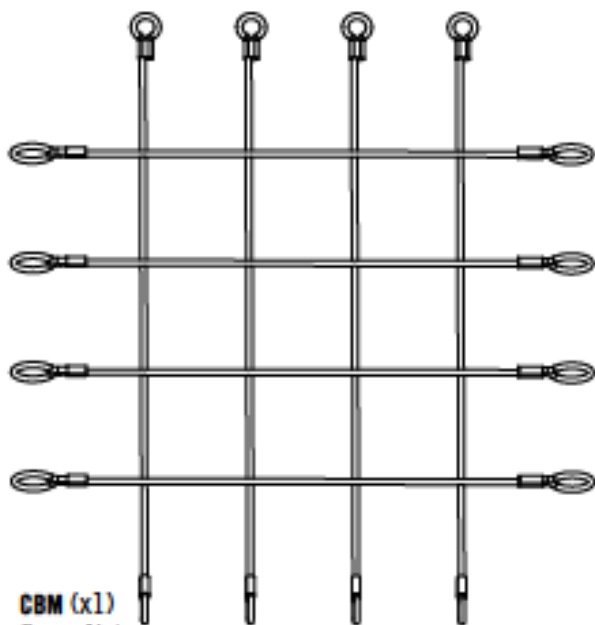


CCD (x1)
Binoculars

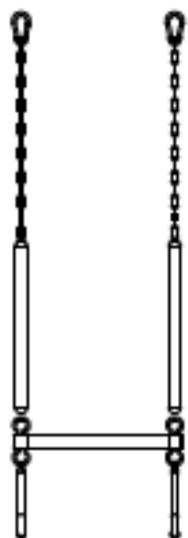
PARTS IDENTIFIER

PLAYGROUND KIT 5 [CEP] Continued

Parts shown at 5% of Actual Size



CBM (x1)
Cargo Net



BKU (x1)
Trapeze Swing



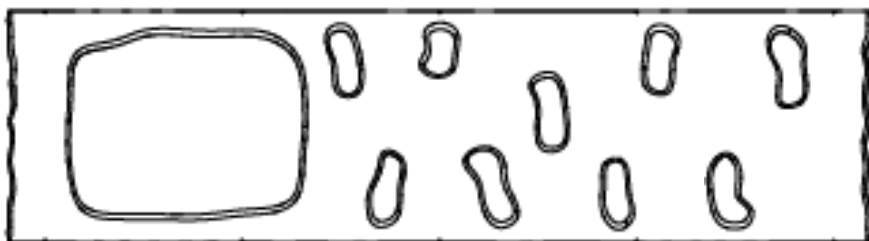
BKT (x2)
Belt Swing

PLAYGROUND LARGE PARTS

Parts shown at 5% of Actual Size



BEK (x1)
5' Slide

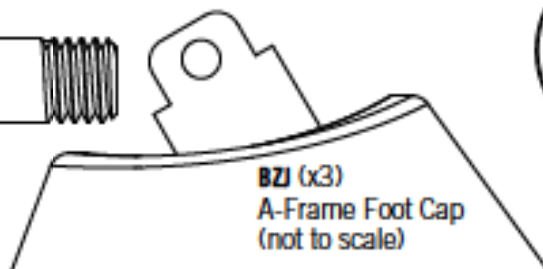
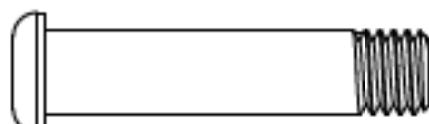
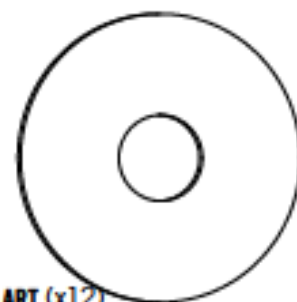
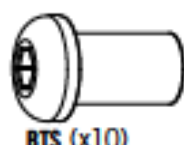
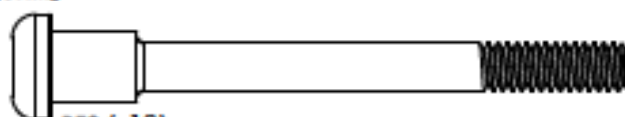
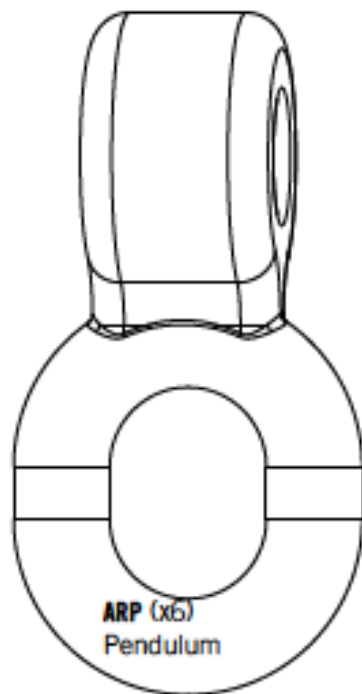


CBX (x2)
Climbing Wall

HARDWARE IDENTIFIER

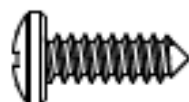
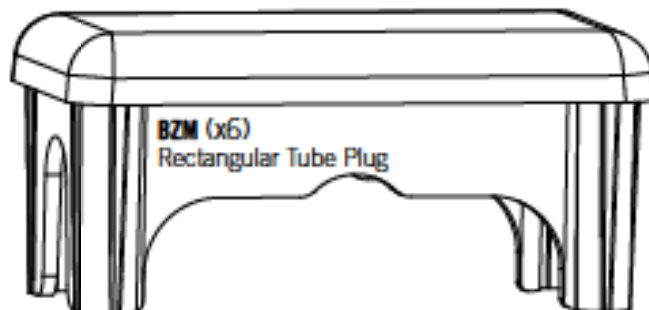
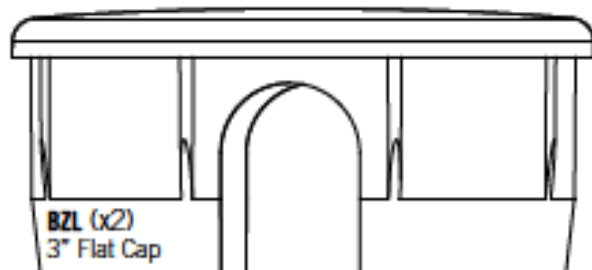
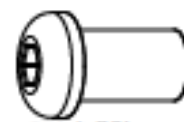
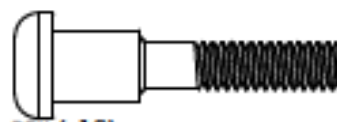
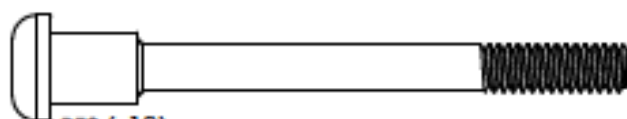
A-FRAME ASSEMBLY HARDWARE [CAM]

Hardware shown at Actual Size



DECK SUPPORT ASSEMBLY HARDWARE [CAI]

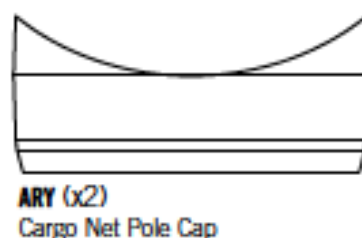
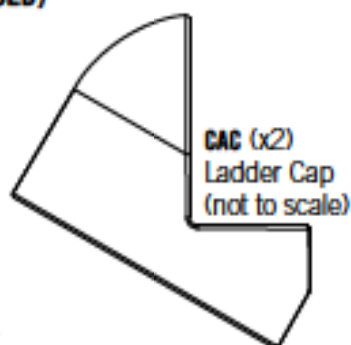
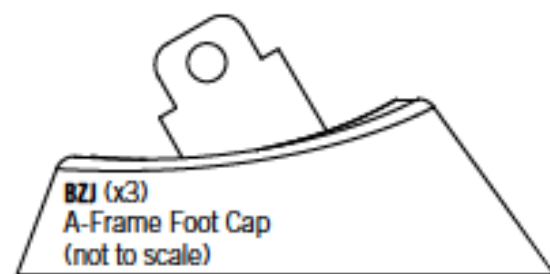
Hardware shown at Actual Size



HARDWARE IDENTIFIER

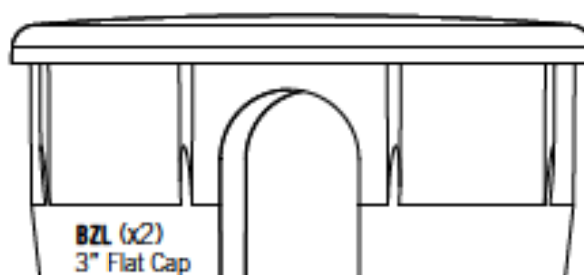
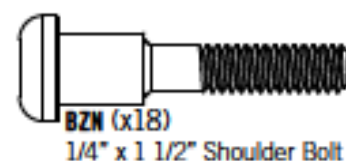
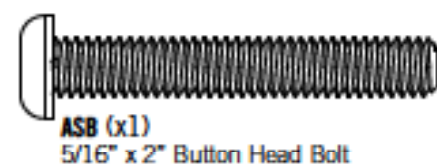
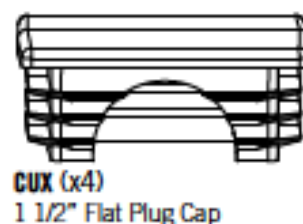
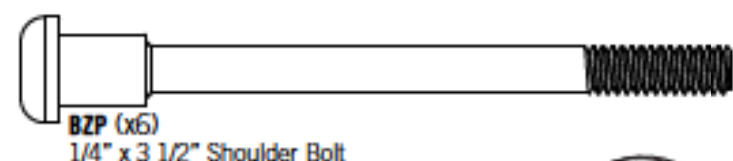
DECK SUPPORT ASSEMBLY HARDWARE (CONTINUED)

Hardware shown at Actual Size



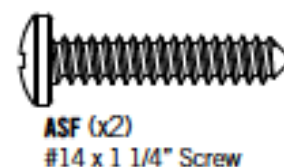
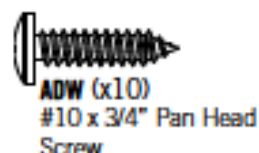
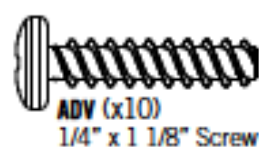
DECK ASSEMBLY HARDWARE [CAK]

Hardware shown at Actual Size



CLIMBING WALL ASSEMBLY HARDWARE [CAJ]

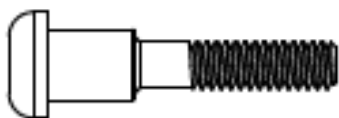
Hardware shown at Actual Size



HARDWARE IDENTIFIER

ROOF ASSEMBLY HARDWARE [CAE]

Hardware shown at Actual Size



BZN (x8)
1/4" x 1 1/2" Shoulder Bolt



BRL (x4)
5/16" Bonded Washer



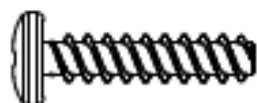
ARL (x8)
1/4" Washer



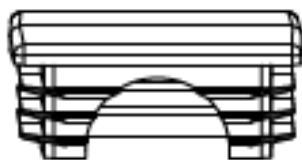
ARO (x4)
.343" Cap Plug



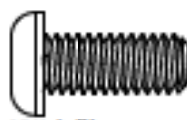
BZS (x8)
1 1/2" Full Dome Cap
(not to scale)



ADV (x48)
#14 x 1 1/8" Screw



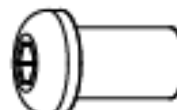
CUX (x4)
1 1/2" Flat Plug Cap



ARN (x8)
5/16" x 3/4" Button
Head Bolt



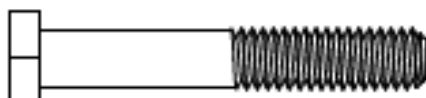
ASE (x4)
5/16" Nylock Nut



BTS (x8)
1/4" Barrel Nut

WHEEL ASSEMBLY HARDWARE [CAF]

Hardware shown at Actual Size



ASH (x1)
5/16" x 2" Hex Bolt



BZU (x2)
5/16" x 3" Button Head Bolt



BRL (x1)
5/16" Bonded Washer



ARM (x2)
5/16" Acorn Nut



BZT (x1)
5/16" Nylock Jam Nut

BINOCULARS ASSEMBLY HARDWARE [CAG]

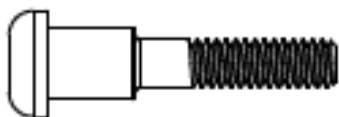
Hardware shown at Actual Size



ARU (x1)
5/16" x 2 1/2" Button Head Bolt



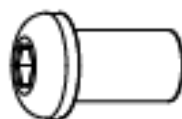
ARM (x1)
5/16" Acorn Nut



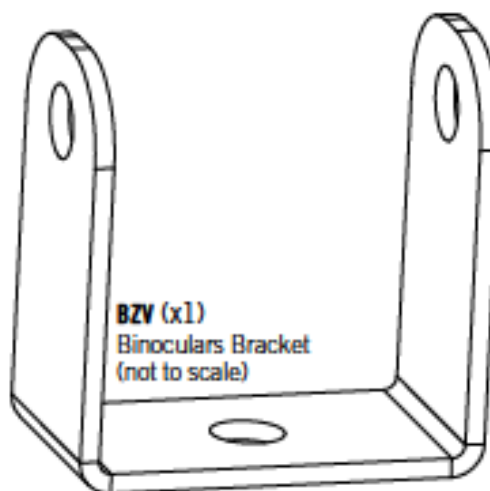
BZN (x1)
1/4" x 1 1/2" Shoulder Bolt



BRL (x2)
5/16" Bonded Washer



BTS (x1)
1/4" Barrel Nut



BZV (x1)
Binoculars Bracket
(not to scale)

HARDWARE IDENTIFIER

SLIDE ASSEMBLY HARDWARE [CAH]

Hardware shown at Actual Size



ARX (x3)
5/16" x 1 1/4" Button Head Bolt



ARL (x6)
1/4" Washer



ARM (x3)
5/16" Acorn Nut

SWING ASSEMBLY HARDWARE [CAL]

Hardware shown at Actual Size



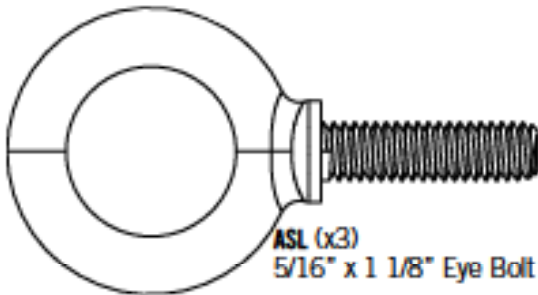
BZY (x6)
5/16" x 2 1/2" Button Head Bolt



ASM (x6)
Quick Link



ABK (x3)
5/16" Nylock Flanged Nut



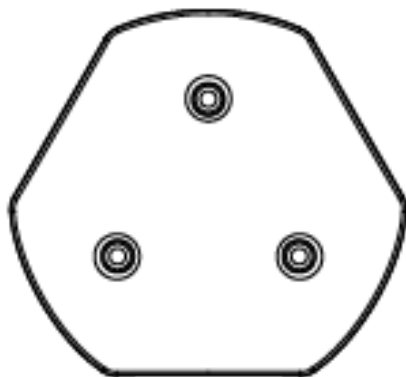
ASL (x3)
5/16" x 1 1/8" Eye Bolt



CUX (x6)
1 1/2" Flat Plug Cap



ARL (x3)
1/4" Washer



CUY (x1)
Under-Deck Cap
(25% of Actual Size)



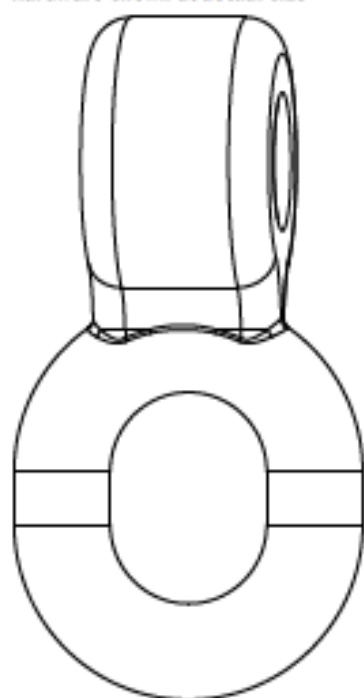
ARM (x6)
5/16" Acorn Nut

SEC 1 A-FRAME ASSEMBLY

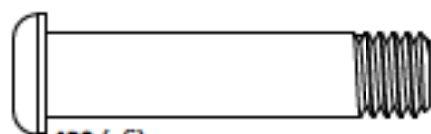
HARDWARE REQUIRED

A-FRAME ASSEMBLY HARDWARE BAG [CAM]

Hardware shown at actual size



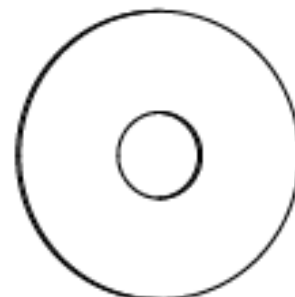
ARP (x6)
Pendulum



ARQ (x6)
7/16" x 2" Button Head Bolt



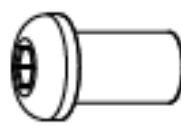
ARS (x12)
7/16" Small Nylon Washer



ART (x12)
7/16" Large Nylon Washer



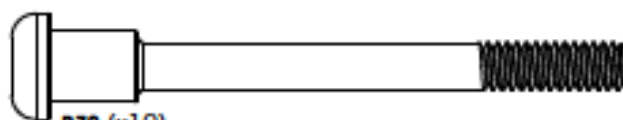
ARR (x6)
7/16" Acorn Nut



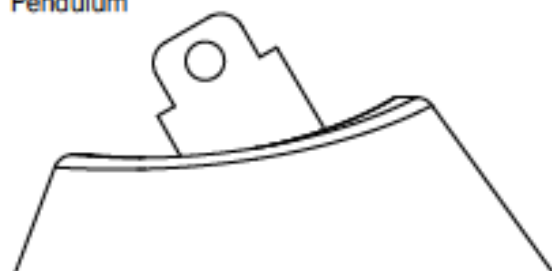
BTS (x10)
1/4" Barrel Nut



ARD (x6)
.343 Cap Plug



BZO (x10)
1/4" x 3" Shoulder Bolt



BZJ (x3)
A-Frame Foot Cap
(not to scale)

PARTS REQUIRED

Parts shown at 5% of actual size



CB0 (x1)
Swing Bar



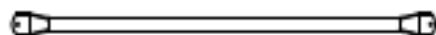
CB6 (x2)
A-Frame Pole



CBF (x1)
Ladder-side Pole

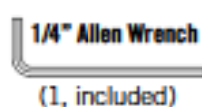
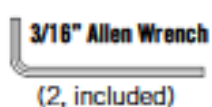
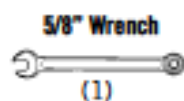


CBE (x1)
Net-side Pole



CBI (x1)
Turnbar

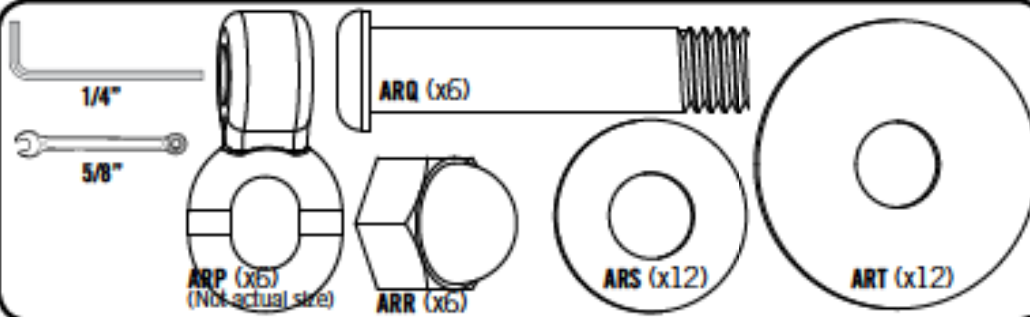
TOOLS REQUIRED





TOOLS AND HARDWARE REQUIRED FOR THIS PAGE

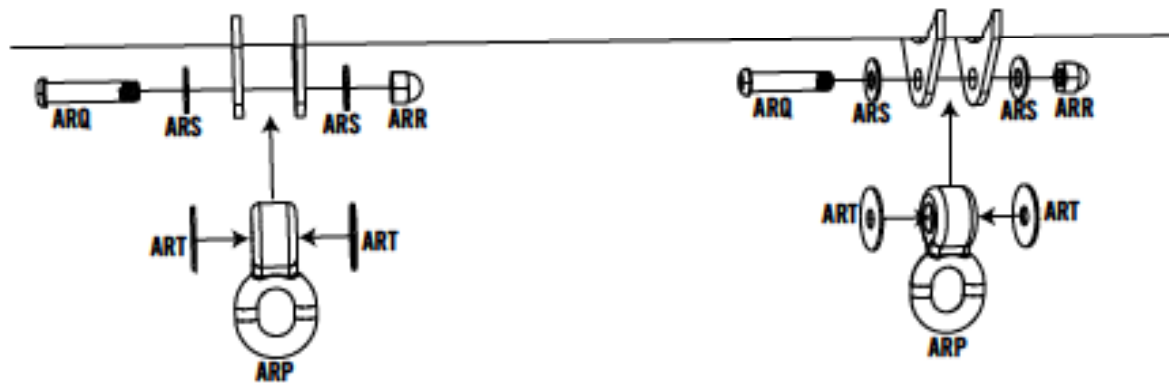
SEC 1



SEC 1.1

Attach the Pendulums (ARP) to the Swing Bar (C80) using the hardware shown. Position the 7/16" Large Nylon Washers (ART) between the Pendulum and the brackets. Do this for each set of brackets on the Swing Bar.

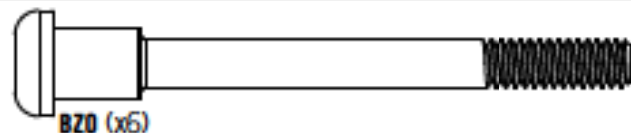
C80



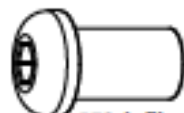


TOOLS AND HARDWARE REQUIRED FOR THIS PAGE

3/16"



BZO (x5)



BTS (x6)

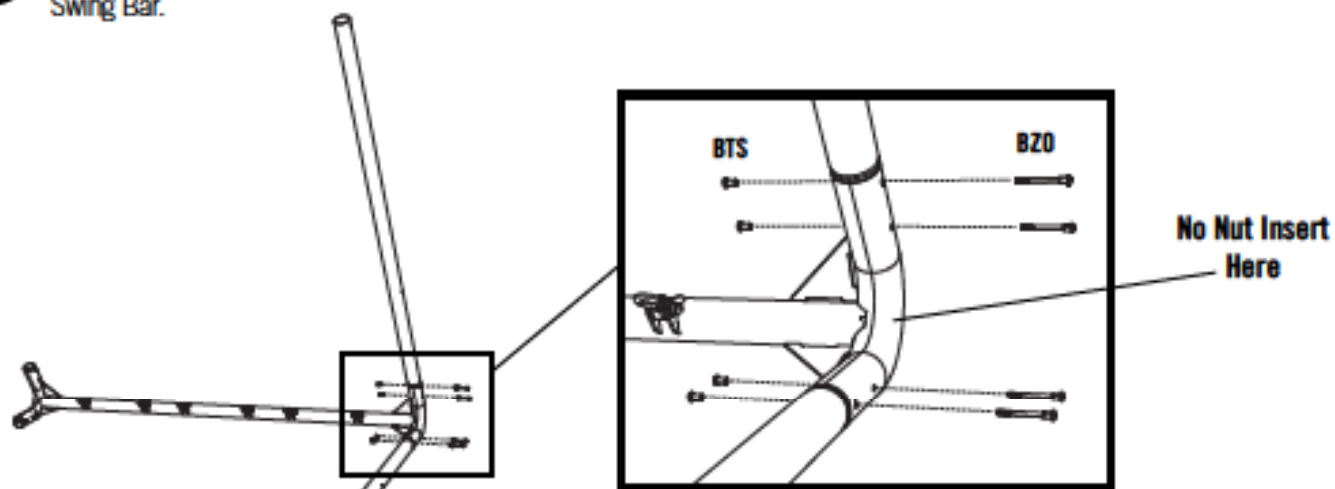
SEC 1



SEC

1.2

Insert the two **A-Frame Poles (CBG)** into the end of the **Swing Bar (CB0)** that does not have a nut insert in the location shown, and secure the Poles with the hardware shown. Make sure the dimples in the A-Frame Poles face out away from the Swing Bar.

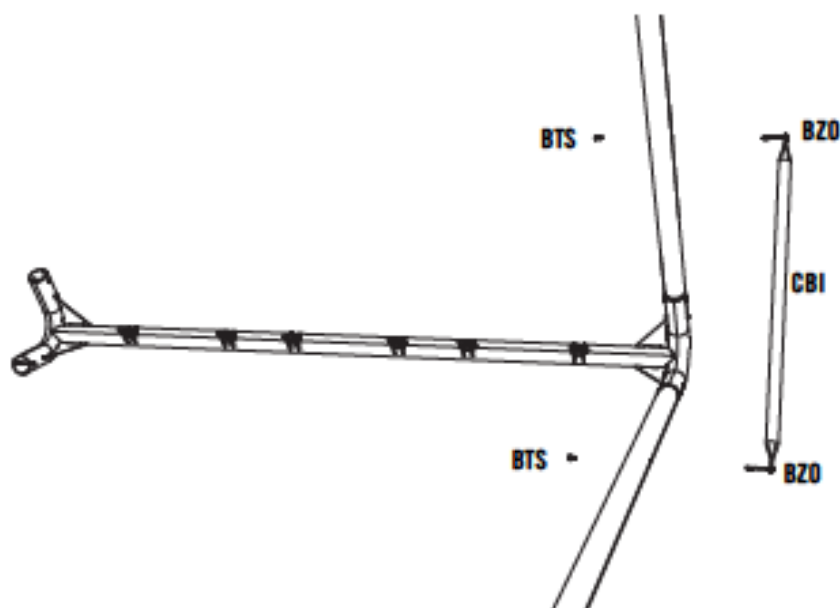


Note: A band of red tape can be found at the end of the Swing Bar with a nut insert. Make sure there is NOT a nut insert on this side of the Swing Bar.

SEC

1.3

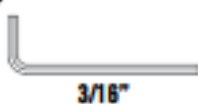
Attach the **Turnbar (CBI)** to the A-Frame Poles with the hardware shown.



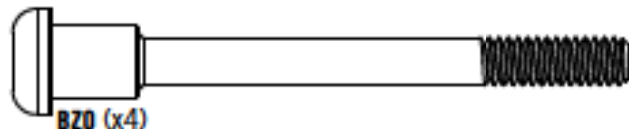


TOOLS AND HARDWARE REQUIRED FOR THIS PAGE

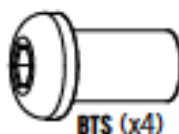
SEC 1



3/16"



BZO (x4)



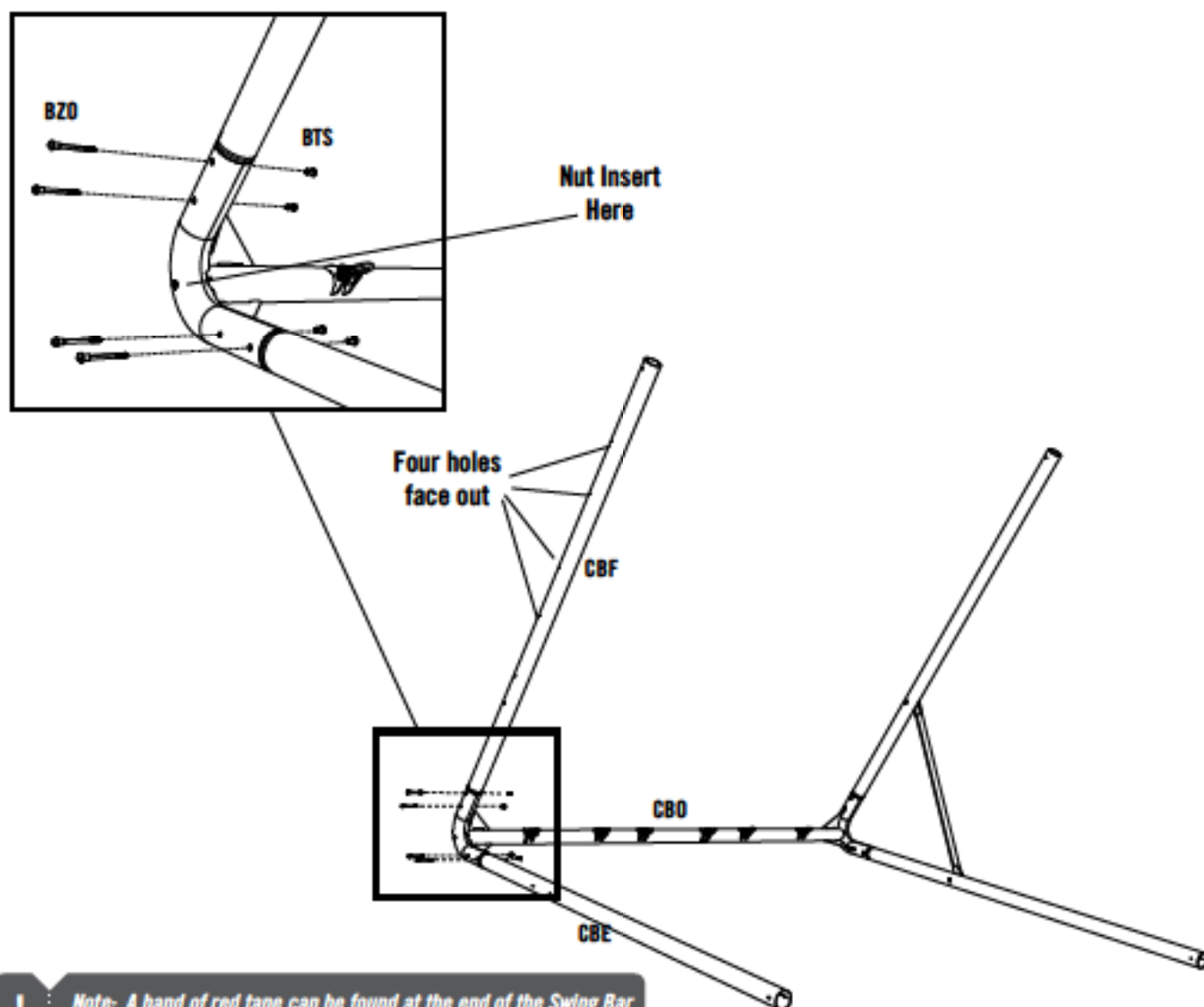
BTS (x4)



SEC

1.4

Attach the Ladder-side Pole (CBF) and the Net-side Pole (CBE) to the Swing Bar (CBO) in the location indicated.





TOOLS AND HARDWARE REQUIRED FOR THIS PAGE

NO TOOLS REQUIRED FOR THIS PAGE



BZI (x3)
(not actual size)



ARO (x6)

SEC 1



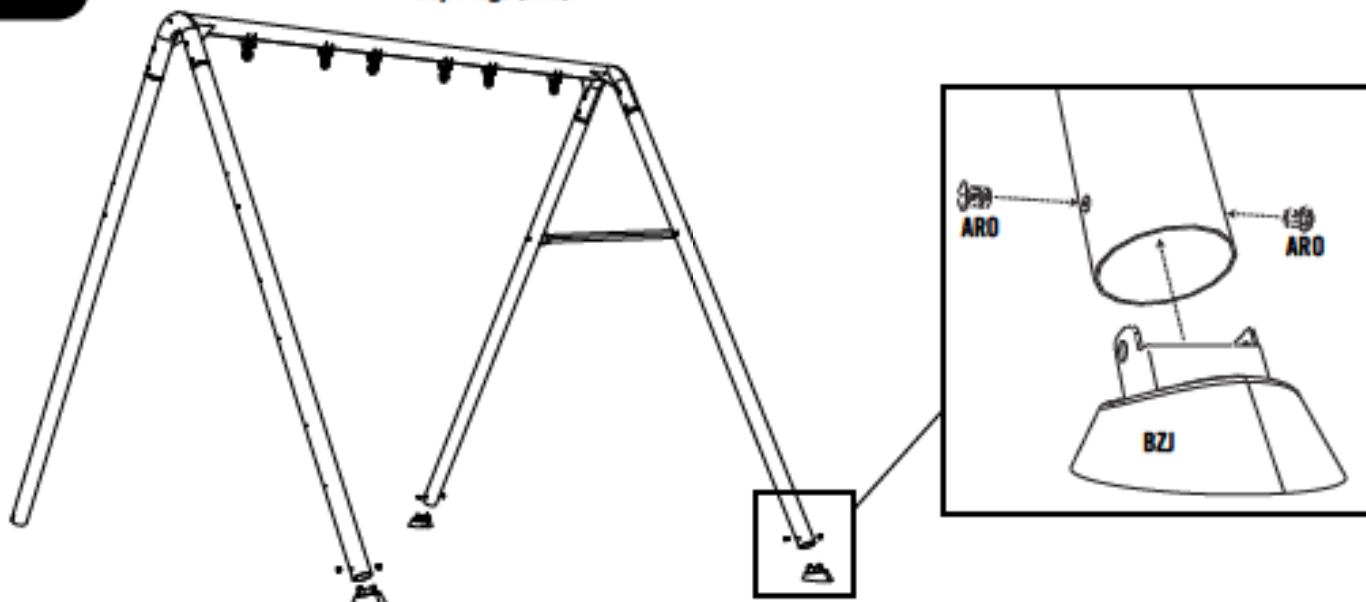
SEC
1.5

Using at least two people, slowly rotate the A-Frame assembly upright.



SEC
1.6

Have one person hold the A-Frame assembly steady as another lifts each leg. Attach the **A-Frame Foot Caps (BZI)** and secure them with the **Cap Plugs (ARO)**.



Note: Only three of the four Poles will receive Foot Caps (BZI) during this step. Do not install a Foot Cap on the Net-side Pole (CBE) until instructed later in the assembly.

2 DECK SUPPORT ASSEMBLY

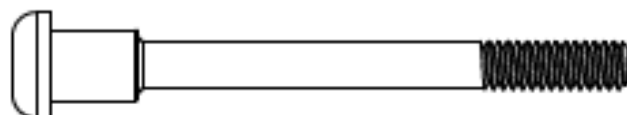
HARDWARE REQUIRED

DECK SUPPORT ASSEMBLY HARDWARE BAG [CAI]

Hardware shown at Actual Size



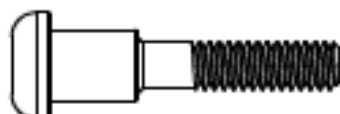
ATV (x2)
1/4" x 3 3/4" Button Head Bolt



BZO (x10)
1/4" x 3" Shoulder Bolt



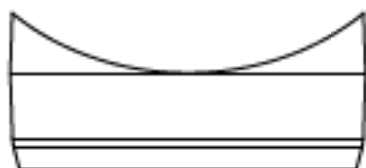
ARU (x1)
5/16" x 2 1/2" Button Head Bolt



BZN (x10)
1/4" x 1 1/4" Shoulder Bolt



ARD (x2)
.343" Cap Plug



ARY (x2)
Cargo Net Pole Cap



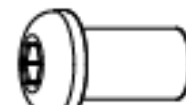
AAF (x8)
3/8" Flat Washer



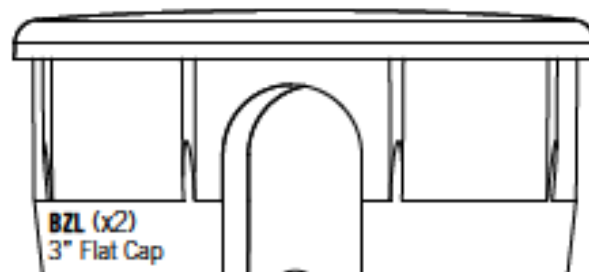
ARL (x4)
1/4" Washer



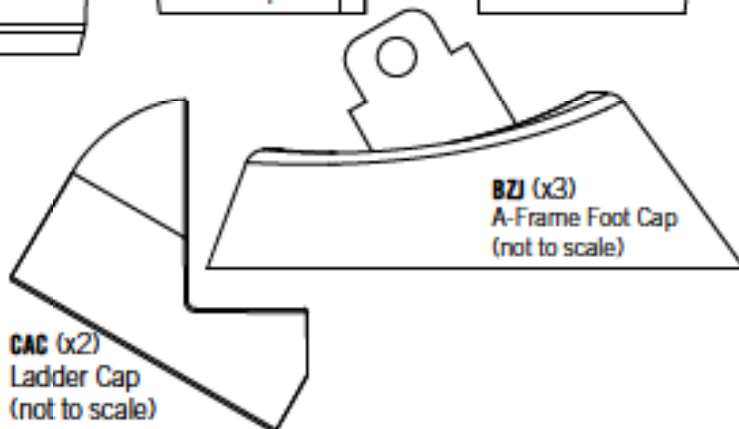
ARV (x8)
#14 x 3/4" Screw



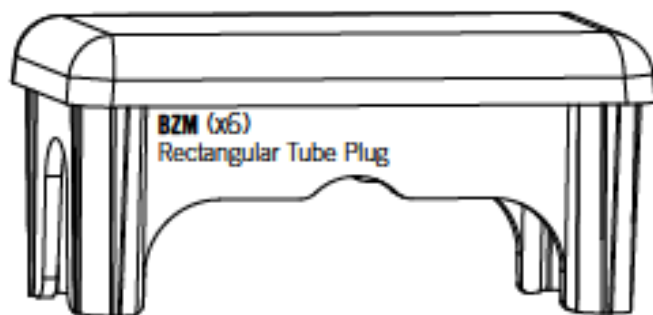
BTS (x20)
1/4" Barrel Nut



BZL (x2)
3" Flat Cap



BZJ (x3)
A-Frame Foot Cap
(not to scale)



BZM (x6)
Rectangular Tube Plug

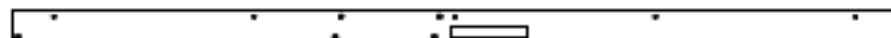
CAC (x2)
Ladder Cap
(not to scale)

PARTS REQUIRED

Parts shown at 5% of Actual Size



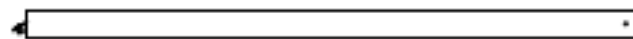
CBJ (x1)
Right Vertical Pole



CBK (x1)
Left Vertical Pole w/ Slicker



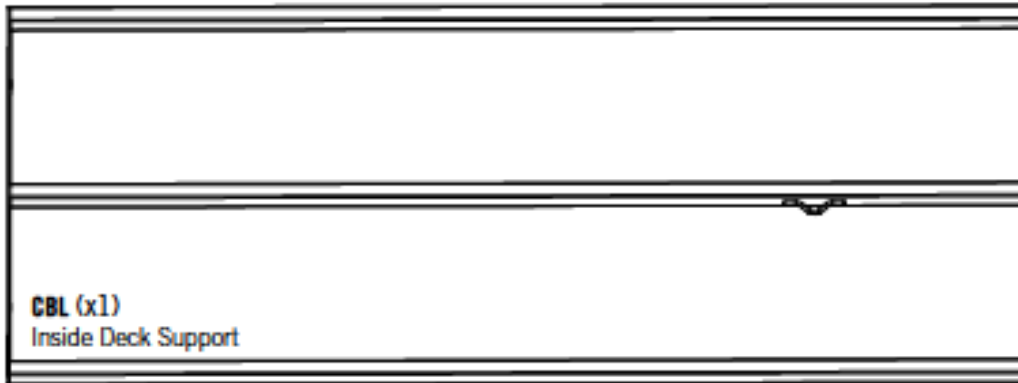
CAZ (x1)
Angled Ladder Leg



CAY (x1)
Angled Cargo Net Leg

PARTS REQUIRED

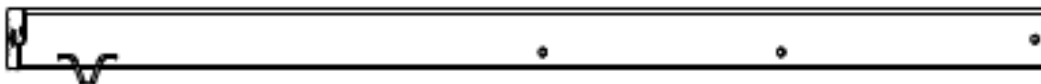
Parts shown at 10% of actual size



CBL (x1)
Inside Deck Support



CBP (x4)
Cross Brace



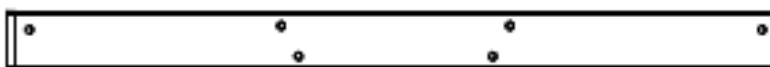
CBC (x1)
Deck Support, Ladder-side



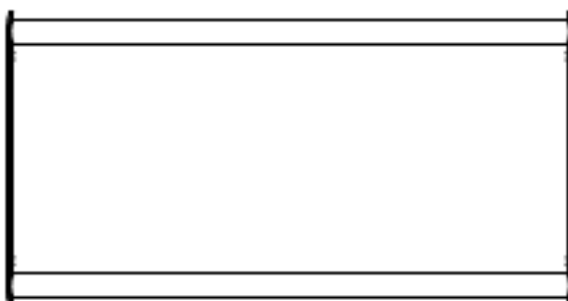
CBB (x1)
Deck Support, Net-side



CBD (x1)
Deck Support, Swing-side

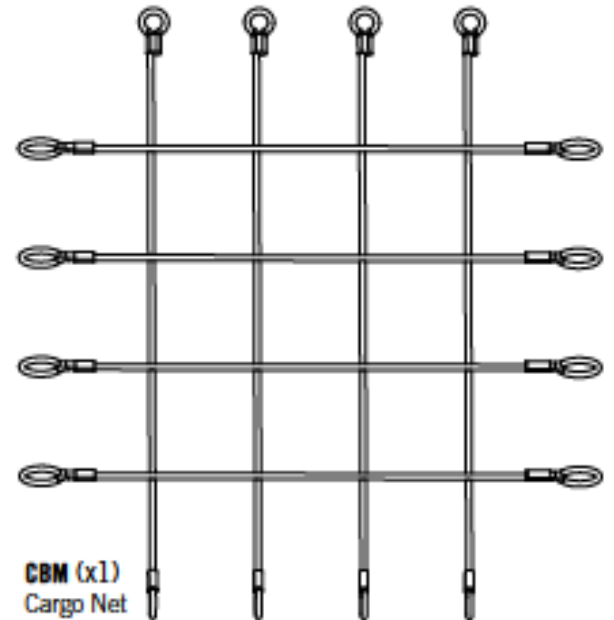


CBA (x1)
Deck Support, Wall-side



CBQ (x2)
Ladder Rung

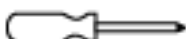
Parts shown at 5% of Actual Size



CBM (x1)
Cargo Net

TOOLS REQUIRED

Screwdriver



(1)

3/16" Allen Wrench

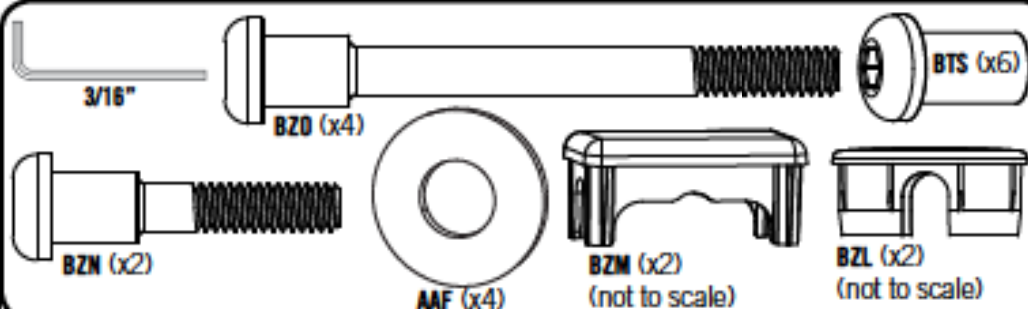


(2, included)



TOOLS AND HARDWARE REQUIRED FOR THIS PAGE

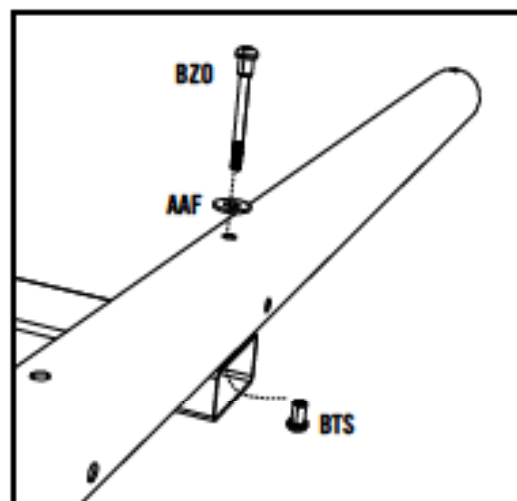
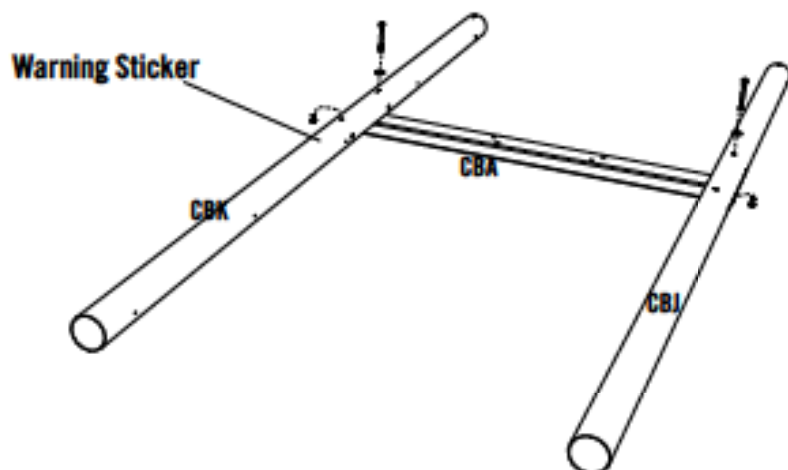
SEC 2



SEC

2.1

Attach the **Wall-side Deck Support (CBA)** to the **Left Vertical Pole (CBK)** and **Right Vertical Pole (CBI)** and secure with the hardware shown.

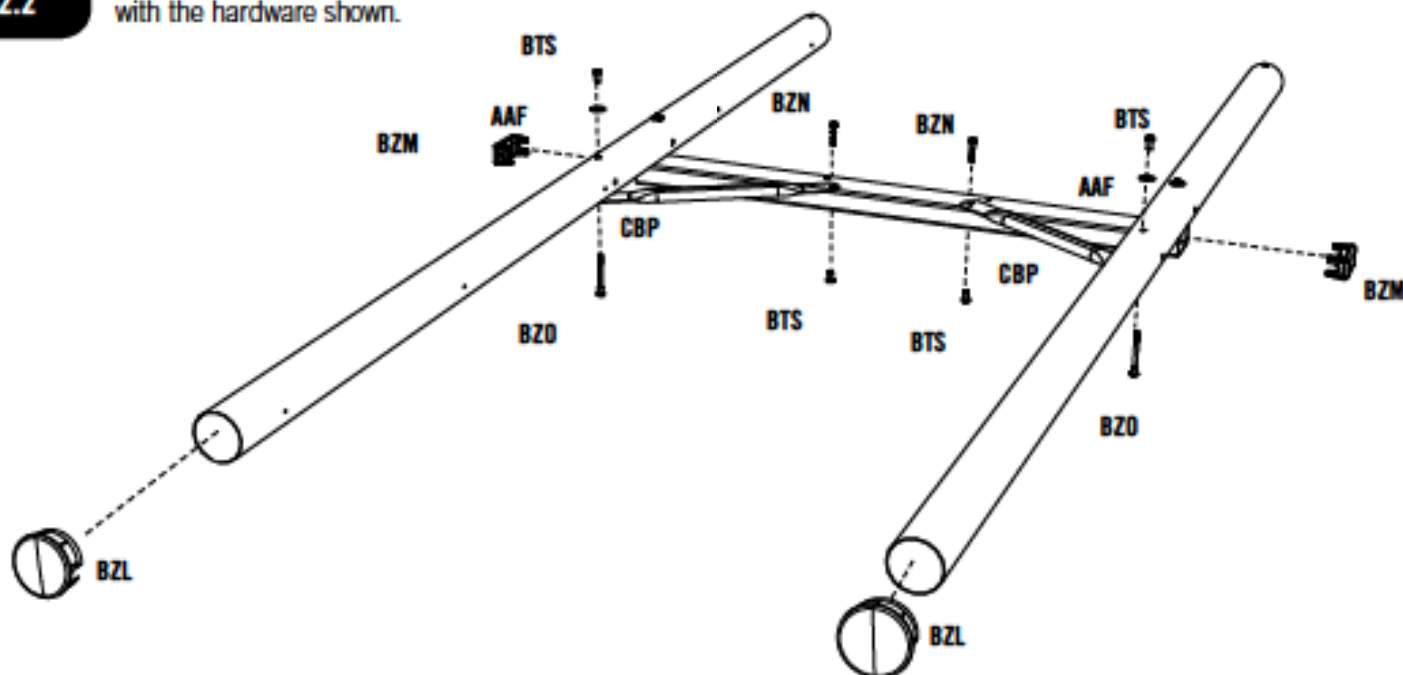


! *Note: Make sure the five small holes that run the length of each Vertical Pole are facing each other before completing this step.*

SEC

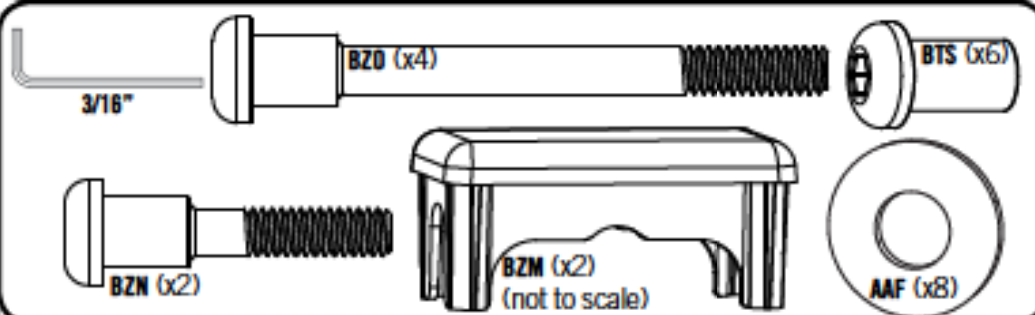
2.2

Attach two **Cross Braces (CBP)** to the **Left Vertical Pole** and **Right Vertical Pole** in the position indicated and secure with the hardware shown.

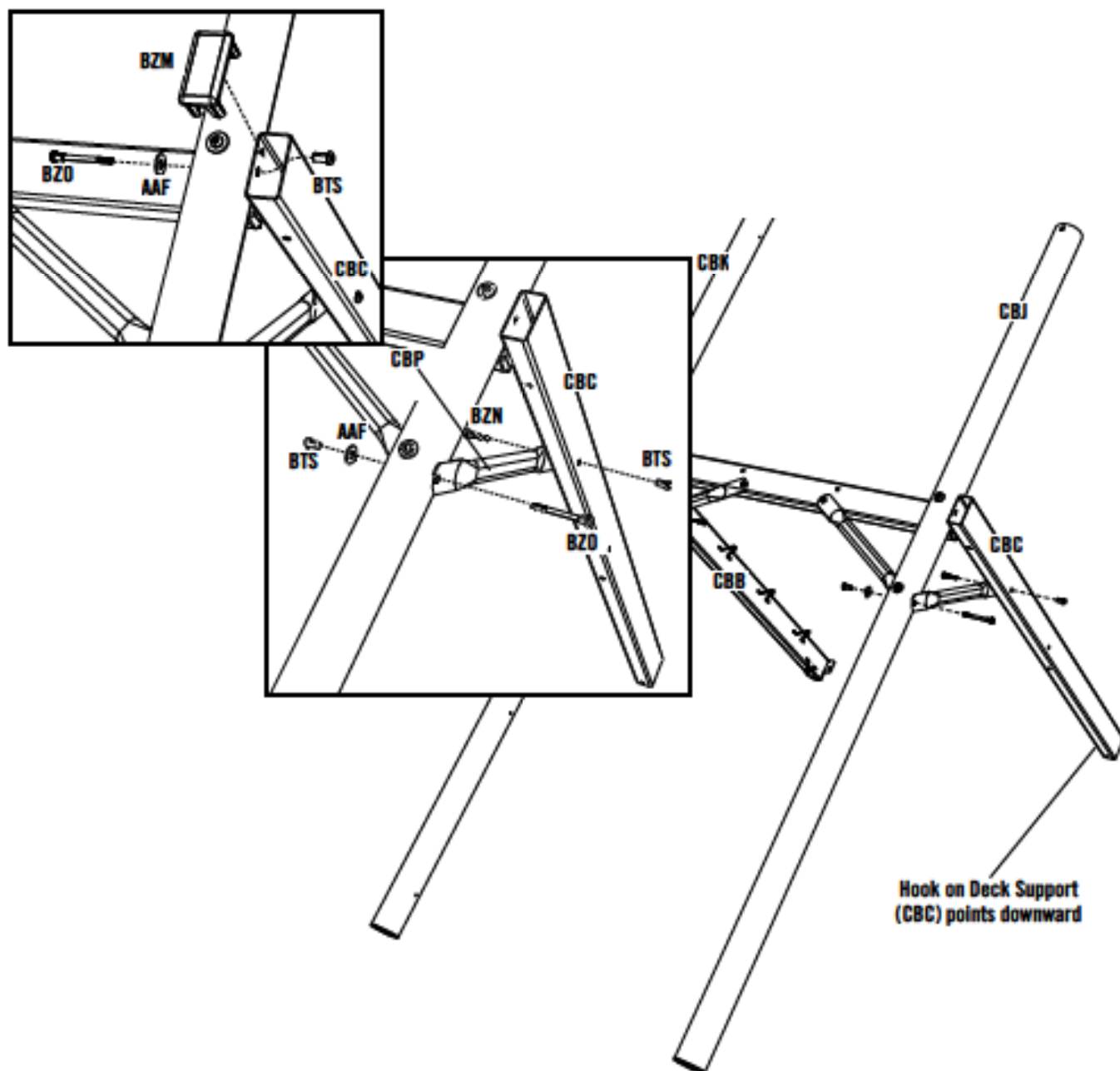




TOOLS AND HARDWARE REQUIRED FOR THIS PAGE

SEC 2**SEC 2.3**

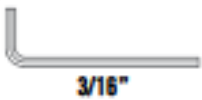
Attach the Deck Support Tube, Net-side (CBB) to the Left Vertical Tube (CBK) using the hardware shown. Make sure a Cross Brace (CBP) is secured between the Support Tube and the Vertical Pole. Repeat this step to attach the Deck Support Tube, Ladder-side (CBC) to the Right Vertical Tube (CBI) as pictured.



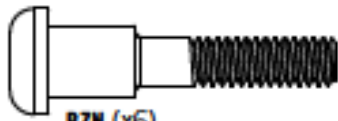


TOOLS AND HARDWARE REQUIRED FOR THIS PAGE

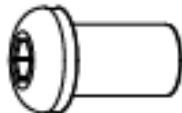
SEC 2



3/16"



BZN (x6)



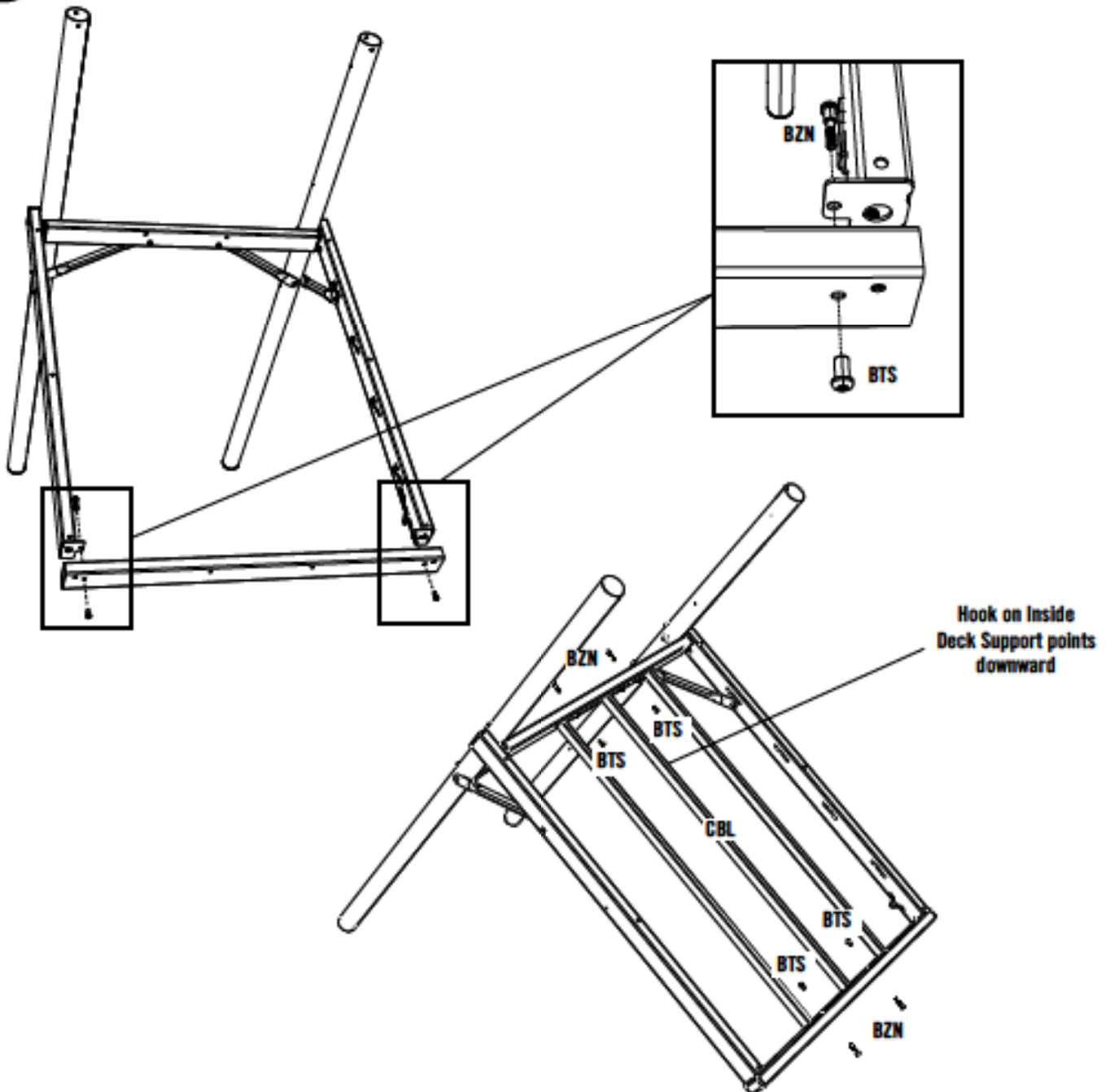
BTS (x6)



SEC

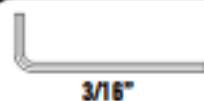
2.4

Attach the Deck Support Tube, Swing-side (CBD) to the Deck Support Assembly using the hardware shown. Install the Inside Deck Support (CBL) in the position indicated and secure with the hardware shown.

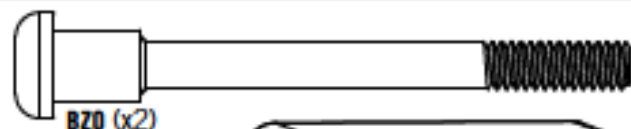




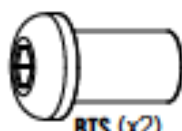
TOOLS AND HARDWARE REQUIRED FOR THIS PAGE

SEC 2

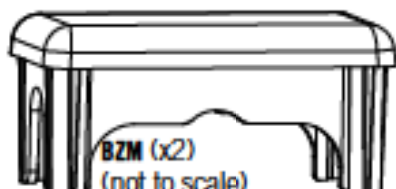
3/16"



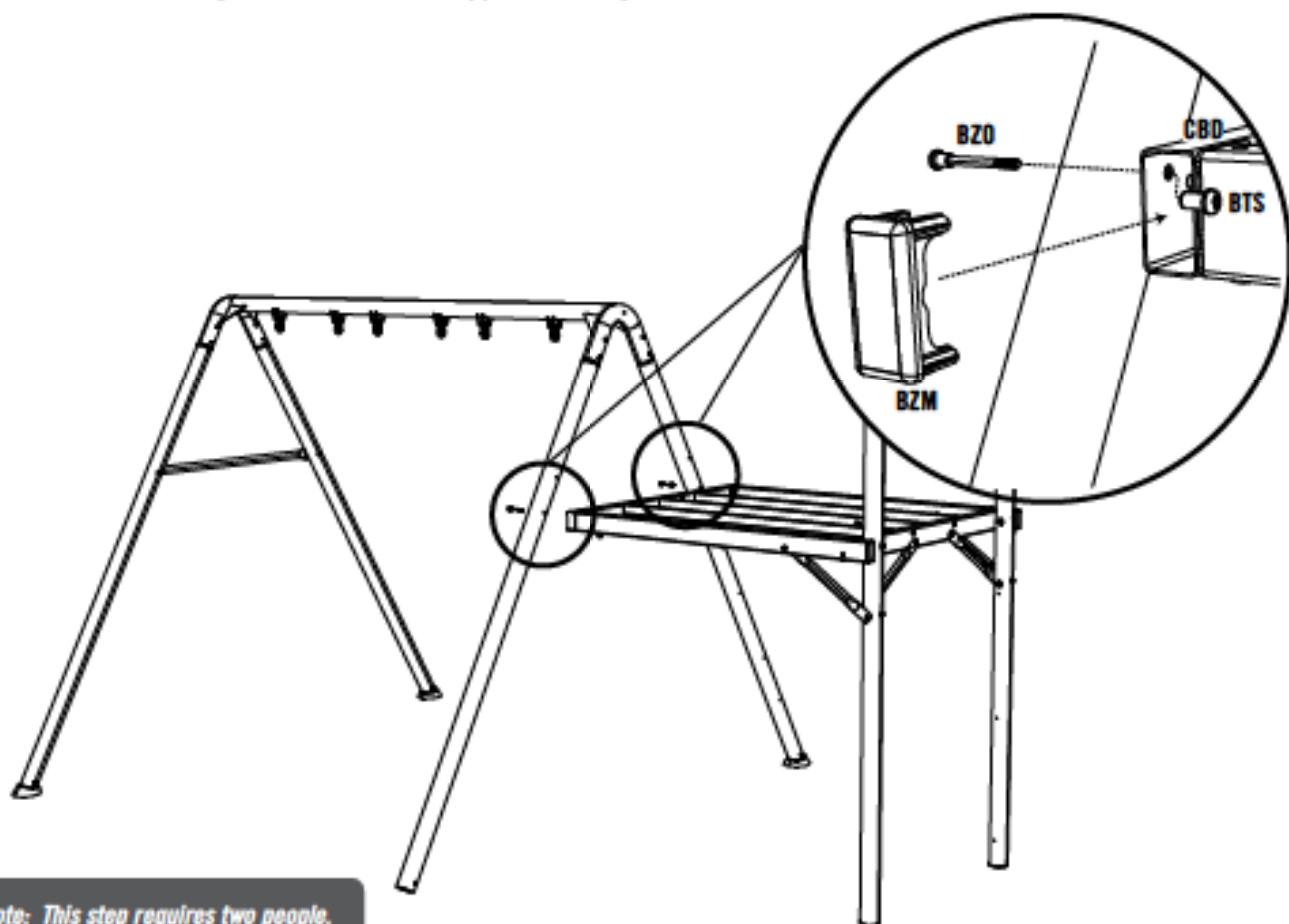
BZO (x2)



BTS (x2)

BZM (x2)
(not to scale)**SEC****2.5**

Attach the Deck Support Assembly to the A-Frame Assembly using the hardware shown. Insert a **Rectangular Tube Plug (BZM)** in each end of the **Deck Support Tube, Swing-side (CBD)** once hardware is secure. Repeat this on the opposite side of the assembly to secure the Deck Support Assembly to both Poles.

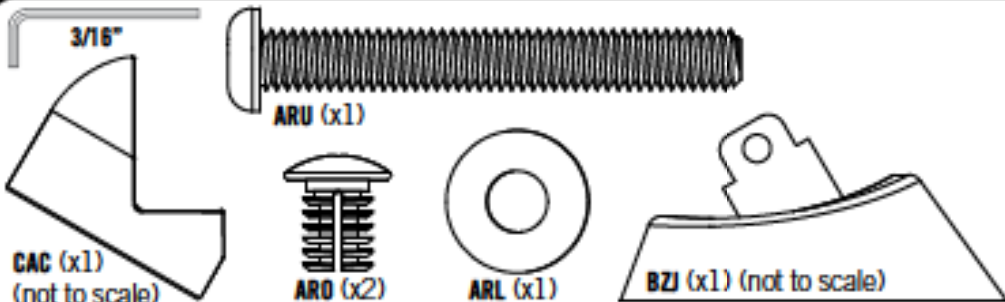


Note: This step requires two people.



TOOLS AND HARDWARE REQUIRED FOR THIS PAGE

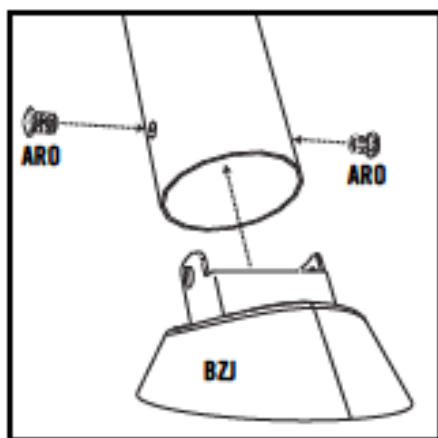
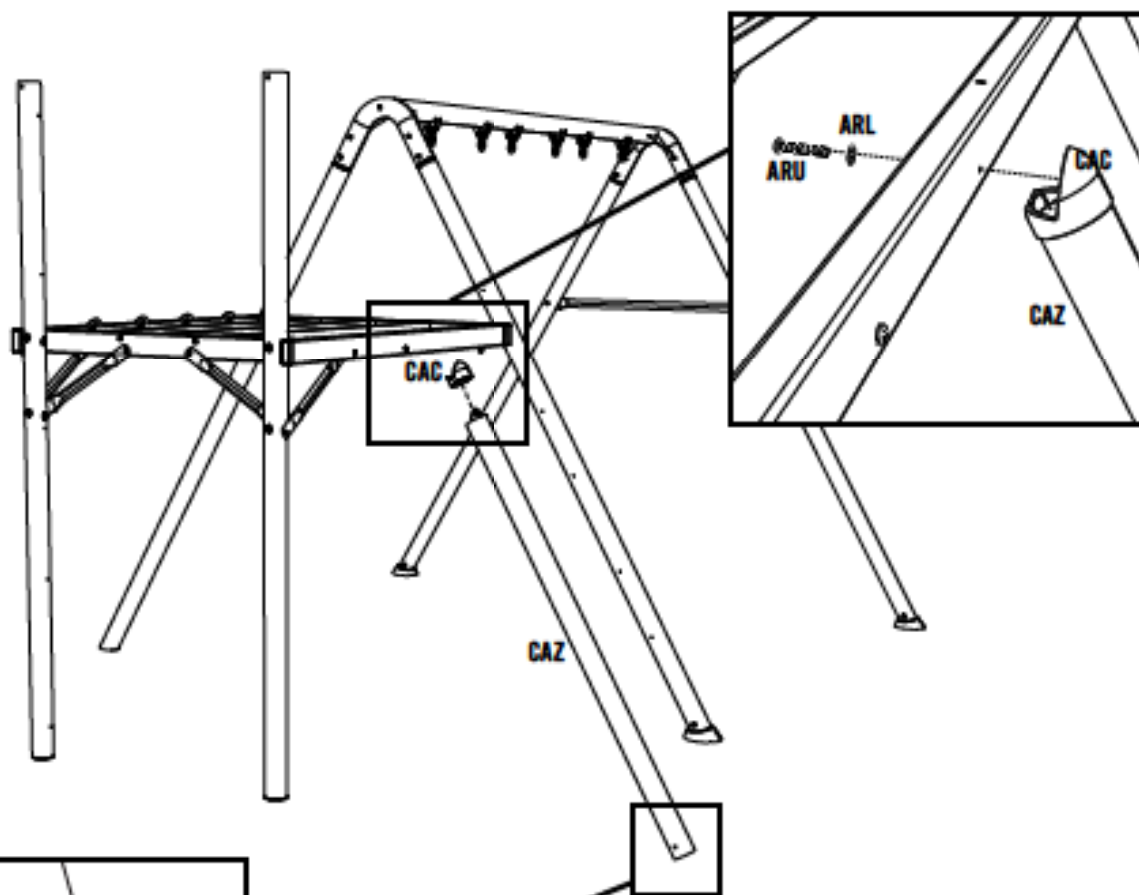
SEC 2



SEC

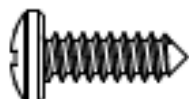
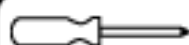
2.6

Slide the **Ladder Cap (CAC)** onto the **Angled Ladder Leg (CAZ)** as pictured, then connect the Angled Ladder Leg to the **Ladder-side Deck Support (CBC)** with the hardware shown. Attach the **Foot Cap (BZI)** to the Angled Ladder Leg and secure it with the hardware shown.





TOOLS AND HARDWARE REQUIRED FOR THIS PAGE



ARV (x8)

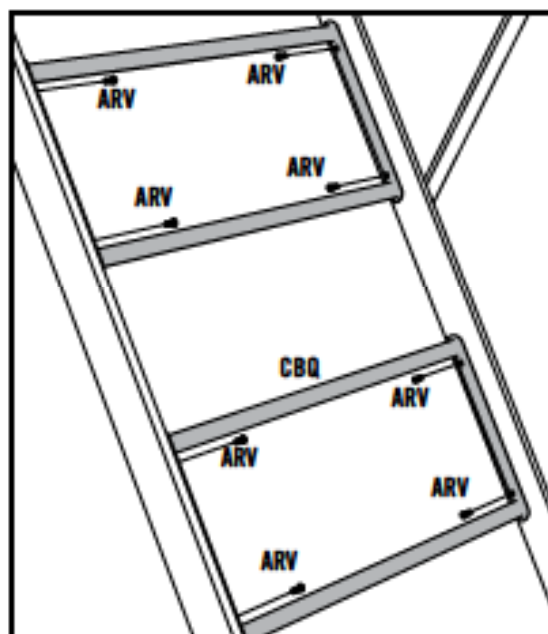
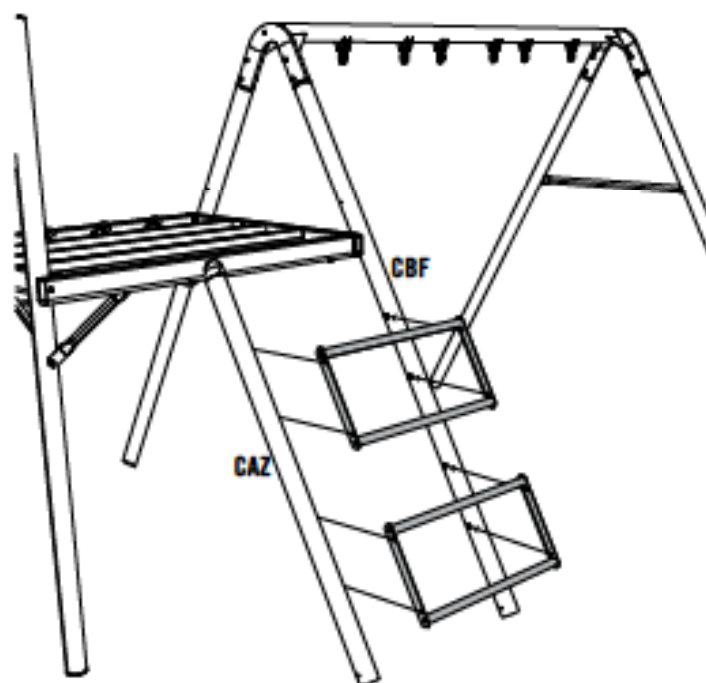
SEC 2



SEC

2.7

Attach the Ladder Rungs (CBQ) to the Angled Ladder Leg (CAZ) and the Ladder-side Pole (CBF) using the hardware shown.

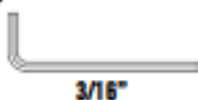


Note: Do not tighten the hardware until both Ladder Rungs are in place.

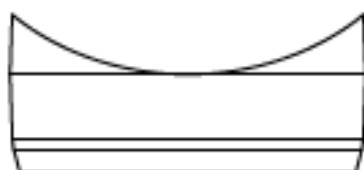


TOOLS AND HARDWARE REQUIRED FOR THIS PAGE

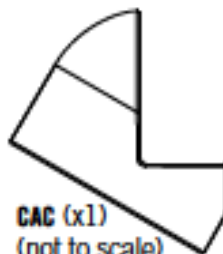
SEC 2



3/16"



ARY (x2)



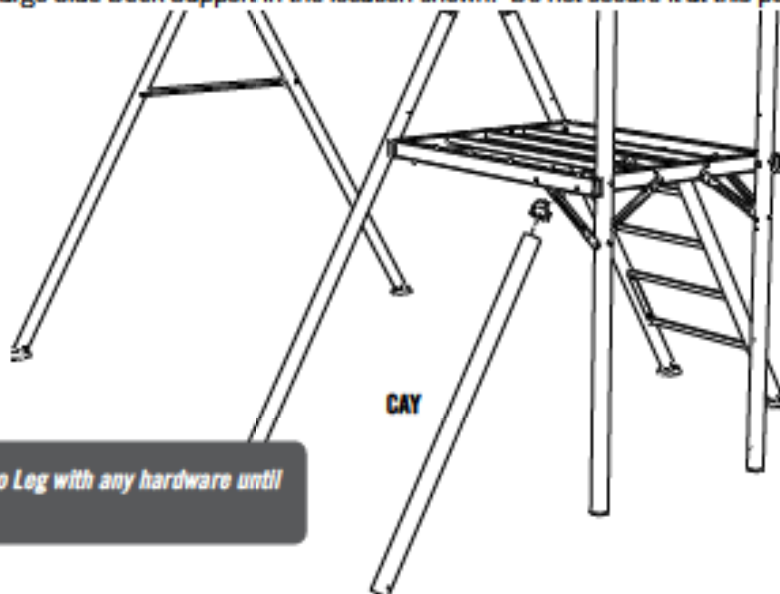
CAC (x1)
(not to scale)



SEC

2.8

Slide the **Angled Cargo Leg (CAY)** into the **Ladder Cap (CAC)** and **Left Vertical Pole (CBK)** with the hardware shown. Rest the **Angled Cargo Leg** against the **Cargo Side Deck Support** in the location shown. Do not secure it at this point in the assembly.

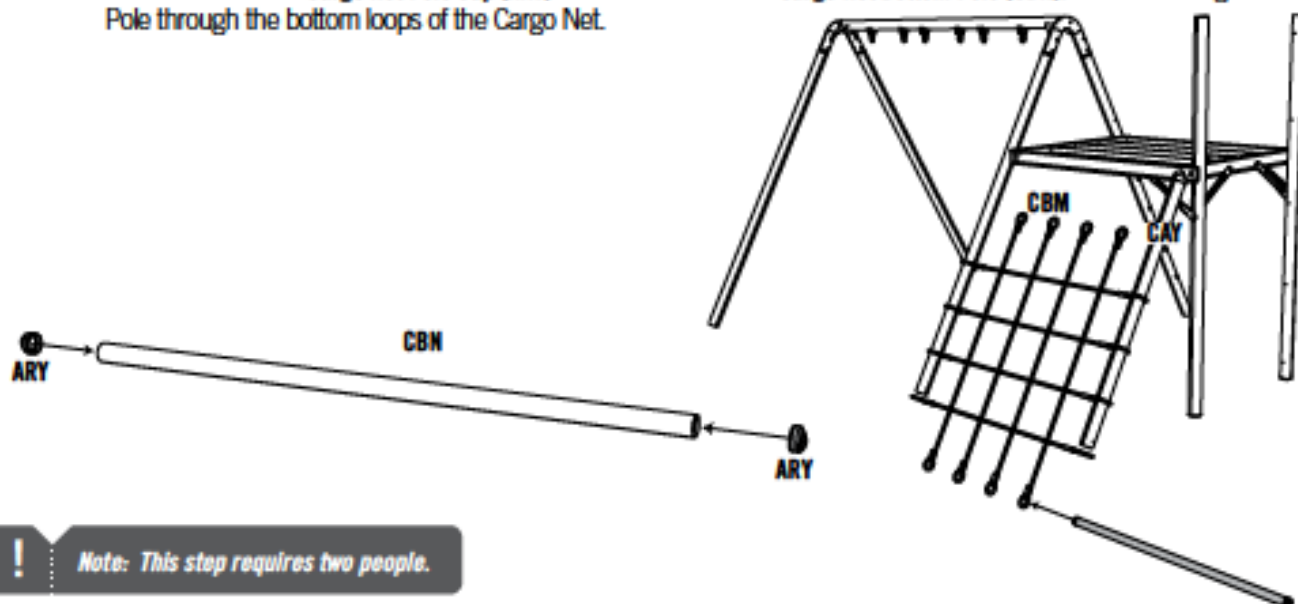


Note: DO NOT secure the Angled Cargo Leg with any hardware until instructed later in the assembly.

SEC

2.9

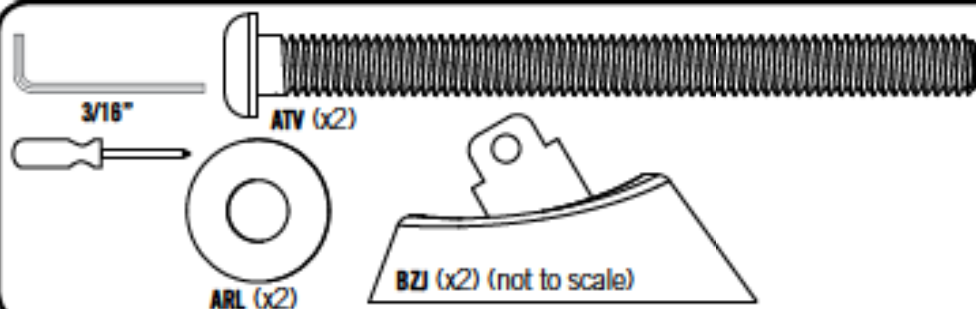
While one person holds the **Angled Cargo Leg** in place, straighten out the ropes of the **Cargo Net (CBM)** and slide the **Cargo Net** up the angled poles on the playset. The large loops go on the sides and the small loops go at the top and bottom. Do not attach the top loops of the **Cargo Net** to the hooks on the back side of the **Cargo Side Deck Tube** at this time. Place a **Cargo Net Pole Cap (ARY)** on each end of the **Cargo Net Bottom Pole (CBN)**. Slide the **Cargo Net Bottom Pole** through the bottom loops of the **Cargo Net**.



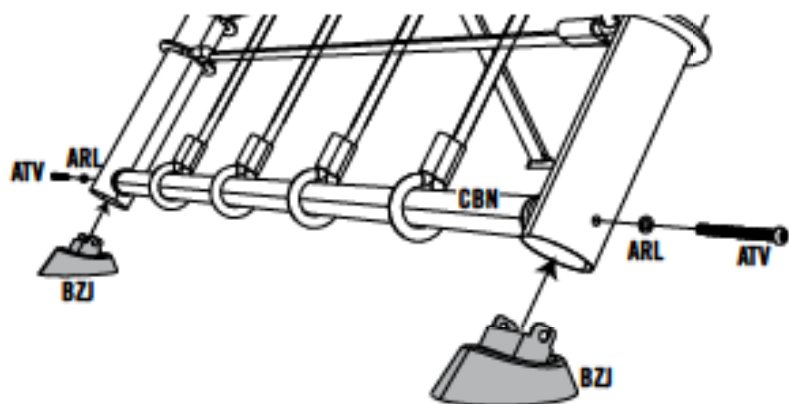
Note: This step requires two people.



TOOLS AND HARDWARE REQUIRED FOR THIS PAGE

**SEC 2****SEC****2.10**

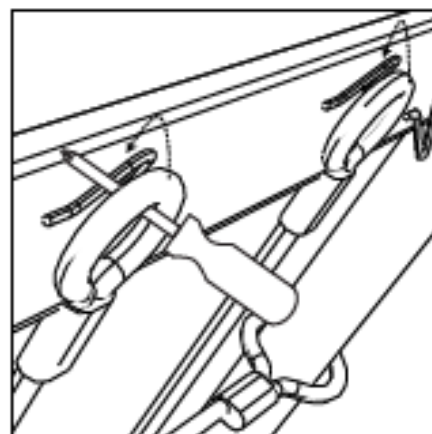
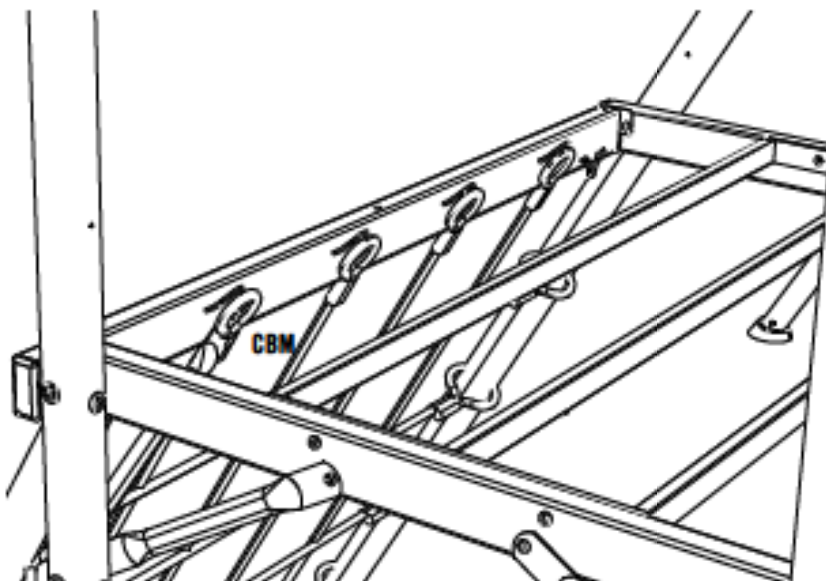
Secure the **Cargo Net Bottom Pole (CBN)** to the angled poles with the **3 3/4" Bolt (ATV)** going through the angled **Foot Caps** as shown. Slide the **Cargo Net (CBM)** up toward the hooks on the back side of the **Net-side Deck Support (CBB)**.



Note: This step requires two people.

SEC**2.11**

Attach the top loops of the **Cargo Net** to the hooks on the **Net-Side Deck Support**, using the **screwdriver** for leverage as shown.



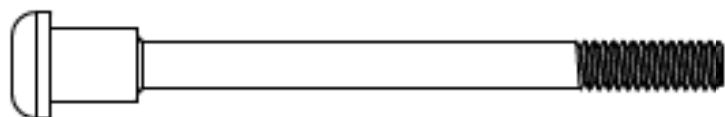
Use the **Screwdriver** to guide the loops onto the hooks.

SEC 3 DECK ASSEMBLY

HARDWARE REQUIRED

DECK ASSEMBLY HARDWARE BAG [CAK]

Hardware shown at Actual Size



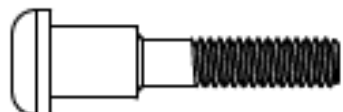
BZP (x6)
1/4" x 3 1/2" Shoulder Bolt



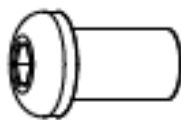
ADF (x2)
3/8" Plug



CUX (x4)
1 1/2" Flat Plug Cap



BZN (x18)
1/4" x 1 1/2" Shoulder Bolt



BTS (x24)
1/4" Barrel Nut



AAF (x3)
3/8" Flat Washer



ASB (x1)
5/16" x 2" Button Head Bolt



ARU (x1)
5/16" x 2 1/2" Button Head Bolt



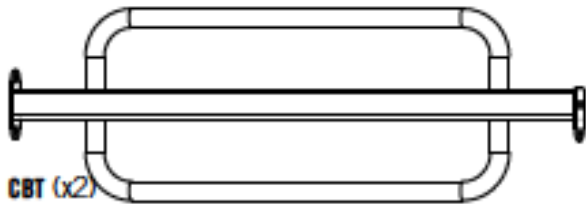
BZL (x2)
3" Flat Cap



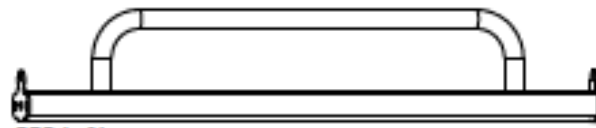
ARL (x1)
1/4" Washer

PARTS REQUIRED

Parts shown at 10% of Actual Size



CBT (x2)
Two-Handle Rail



CBS (x4)
One-Handle Rail



CBV (x1)
A-Frame Roof Tube

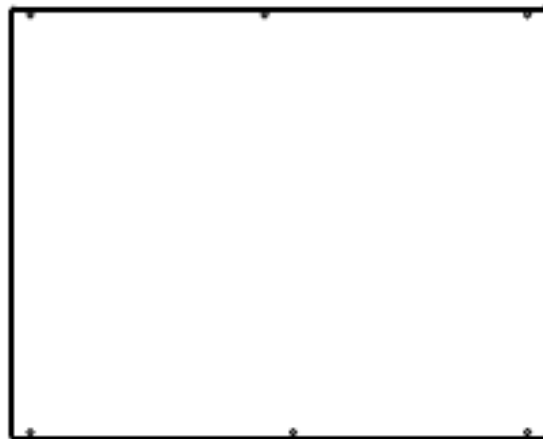


CBW (x1)
Climbing Wall Roof Tube



CBU (x2)
Roof Tube

Parts shown at 5% of Actual Size



CBR (x1)
Deck

TOOLS REQUIRED

3/16" Allen Wrench



(2, included)

Ladder

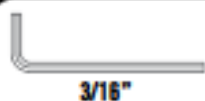


(1)

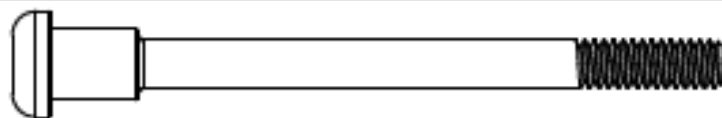


TOOLS AND HARDWARE REQUIRED FOR THIS PAGE

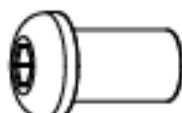
SEC 3



3/16"



BZP (x6)



BTS (x6)



SEC

3.1

Place the Deck (CBR) on the Deck Support Assembly, textured side up.



WARNING

Do not stand in Clubhouse until the Deck floor is completely attached.

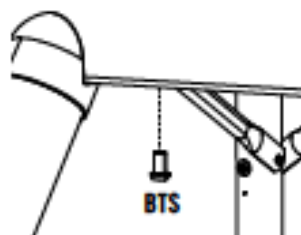
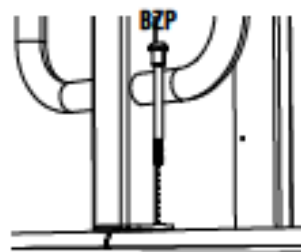
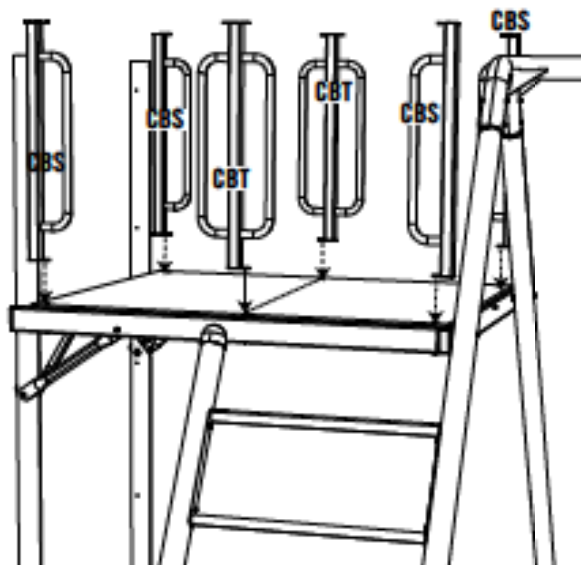


Note: If there are pre-drilled holes, make sure they are located here. This is where the slide will be placed later in the assembly.

SEC

3.2

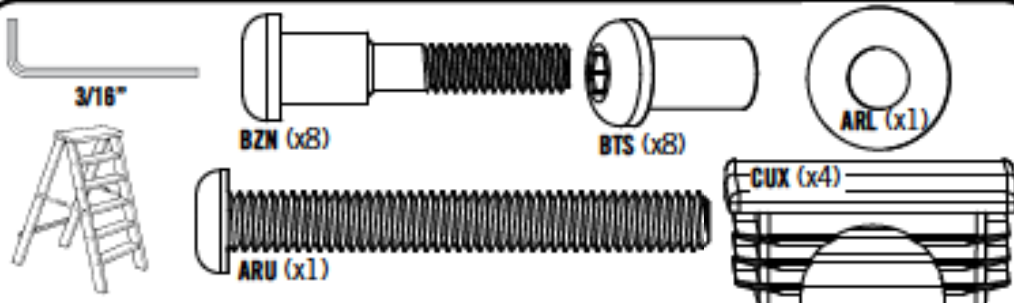
Attach the One-Handle Rails (CBS) and the Two-Handle Rails (CBT) to the Deck in the locations indicated. Secure each Rail with the hardware indicated. The end of the rails with the single hole is the end that goes down toward the Deck.



Note: To make sure the Deck is aligned, hand-tighten the Bolts until all hardware has been installed, then completely tighten all the Bolts.



TOOLS AND HARDWARE REQUIRED FOR THIS PAGE

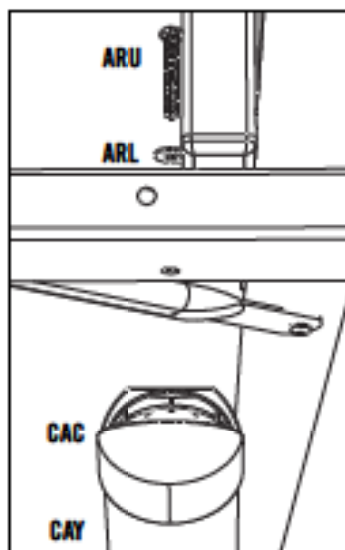


SEC 3



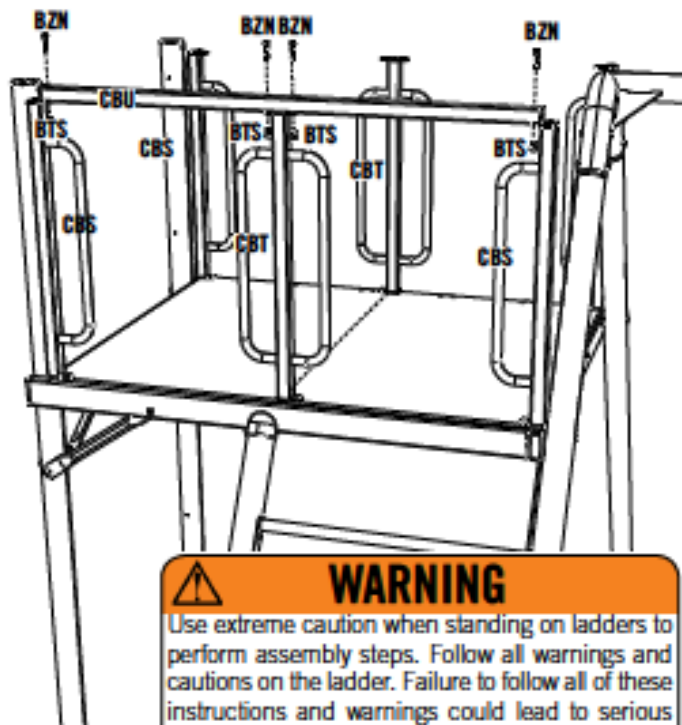
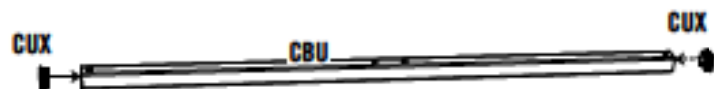
SEC 3.3

Secure the Angled Cargo Leg (CAY) from step 2.8 to the Cargo Side Deck Support with the hardware shown.



SEC 3.4

Place the 1 1/2" Square Plug Caps (CUX) into the ends of both Deck Tubes (CBU). Attach the Deck Tubes to the Hand Rails using the Hardware shown.



WARNING

Use extreme caution when standing on ladders to perform assembly steps. Follow all warnings and cautions on the ladder. Failure to follow all of these instructions and warnings could lead to serious personal injury or property damage.

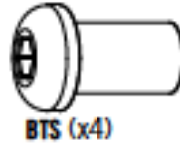
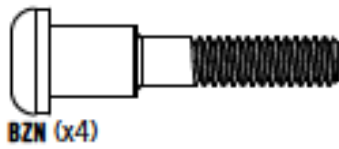


Note: Repeat this step for the Cargo Net side of the assembly.



TOOLS AND HARDWARE REQUIRED FOR THIS PAGE

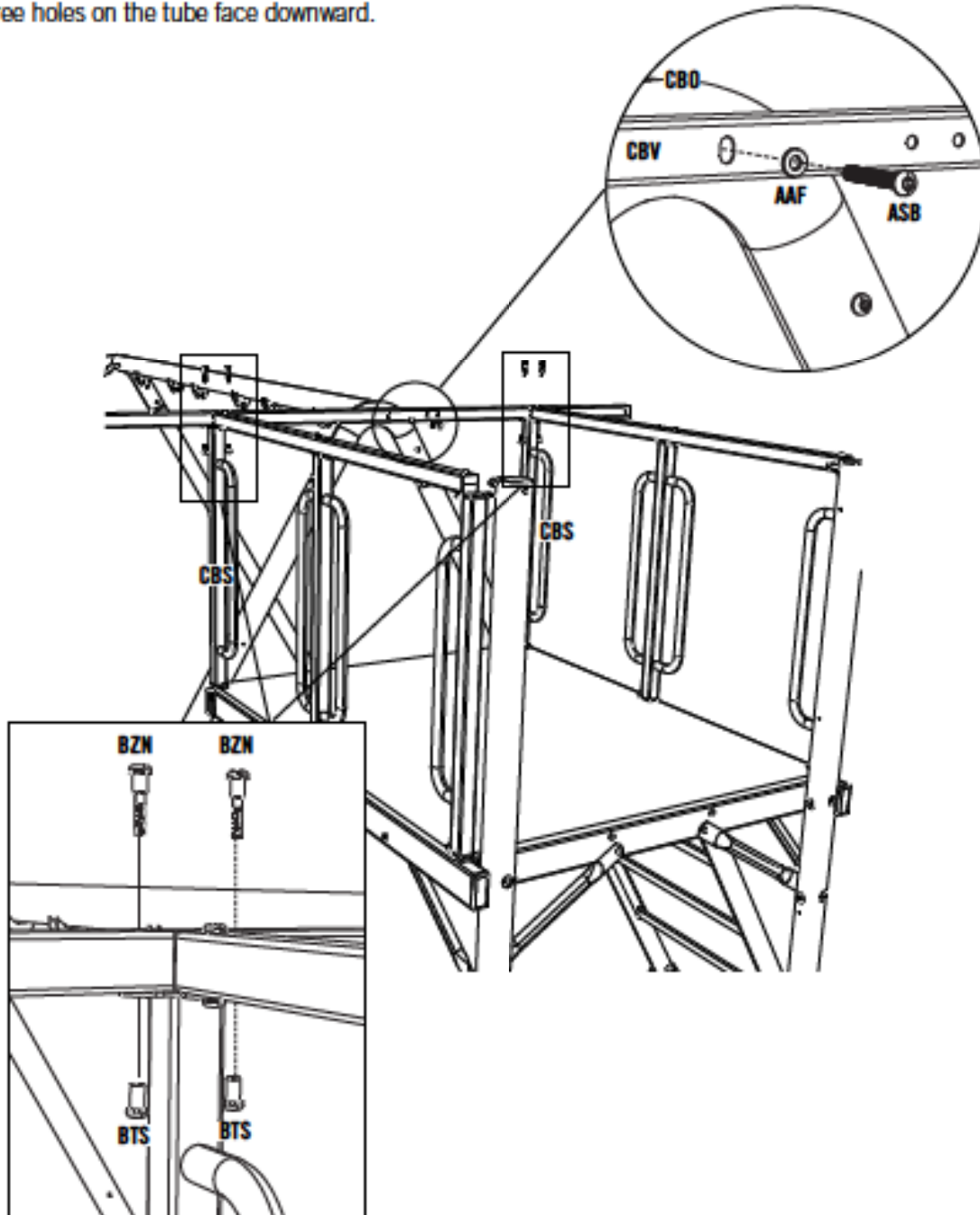
SEC 3



SEC

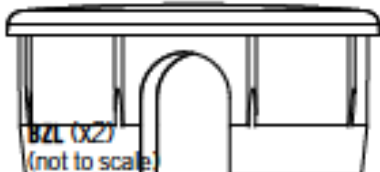
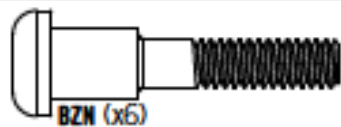
3.5

Attach the **A-Frame Deck Tube (CBV)** to the **One-Handle Rails (CBS)** and the **Swing Bar (CBO)** with the hardware shown in the locations indicated. Make sure the dimpled side of the A-Frame Deck Tube faces the A-Frame, while the three holes on the tube face downward.





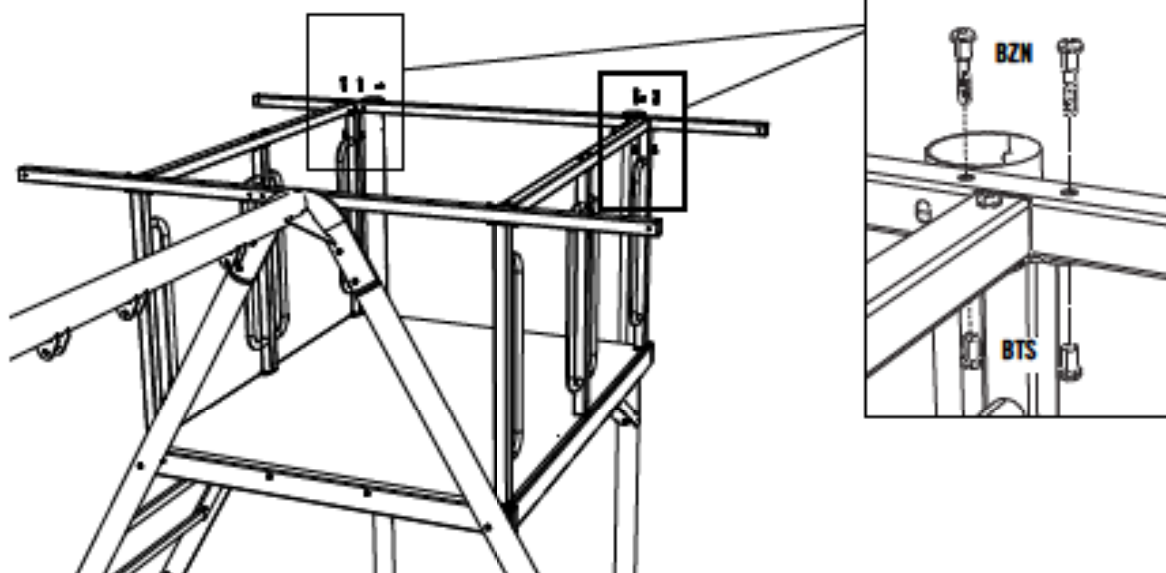
TOOLS AND HARDWARE REQUIRED FOR THIS PAGE



SEC

3.6

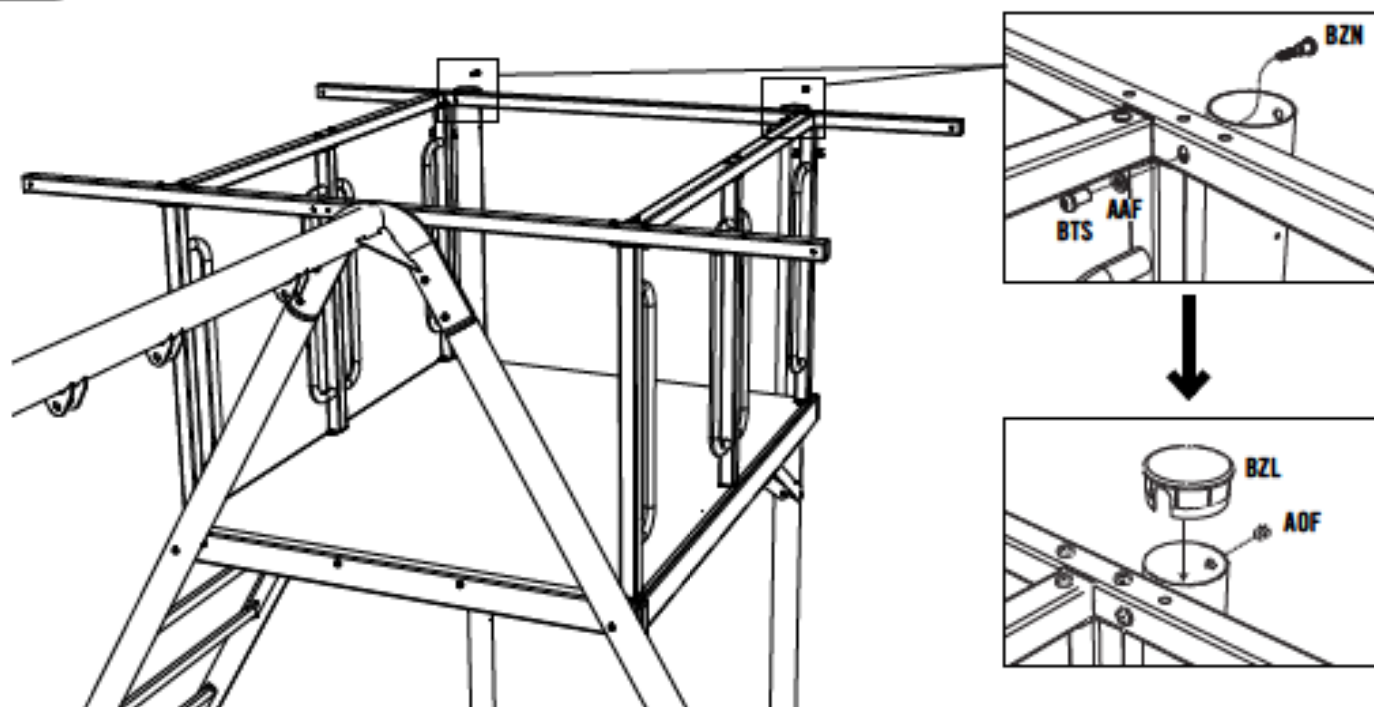
Secure the **Climbing Wall Deck Tube (CBW)** to the **One-Handle Rails (CBS)** with the hardware shown.



SEC

3.7

Secure the **Climbing Wall Deck Tube (CBW)** to the **Right Vertical Pole (CBJ)** and **Left Vertical Pole (CBK)** with the hardware shown.

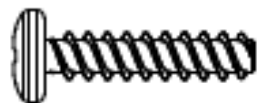


STEP 4 CLIMBING WALL AND CHALKBOARD ASSEMBLY

HARDWARE REQUIRED

CLIMBING WALL ASSEMBLY HARDWARE BAG [CAJ]

Hardware shown at Actual Size



ADV (x10)
1/4" x 1 1/8" Screw



ADW (x10)
#10 x 3/4" Pan Head Screw

CHALKBOARD ASSEMBLY HARDWARE BAG [CAD]

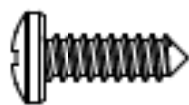
Hardware shown at Actual Size



CHX (x2)
1/2" Plastic Spacer



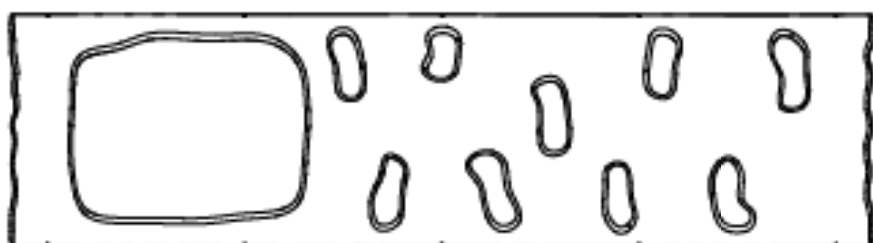
ASF (x2)
#14 x 1 1/4" Screw



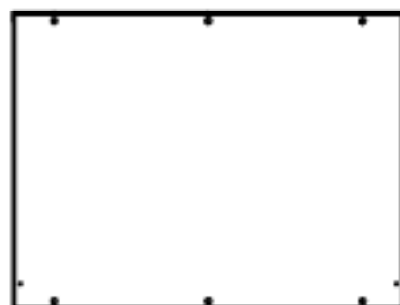
ARV (x3)
#14 x 3/4" Screw

PARTS REQUIRED

Parts shown at 5% of Actual Size



CBX (x2)
Climbing Wall Panel



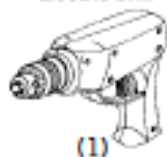
CBZ (x1)
Chalkboard



CBY (x1)
Climbing Wall Pole

TOOLS REQUIRED

Electric Drill



(1)

1/4" Drill Bit



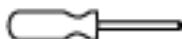
(1)

Ladder



(1)

Screwdriver



(1)



TOOLS AND HARDWARE REQUIRED FOR THIS PAGE



1/4"

NO HARDWARE REQUIRED FOR THIS PAGE

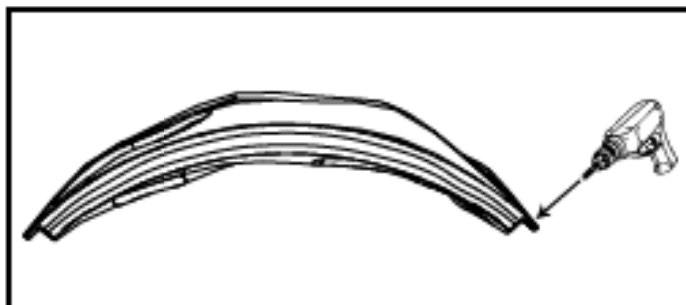
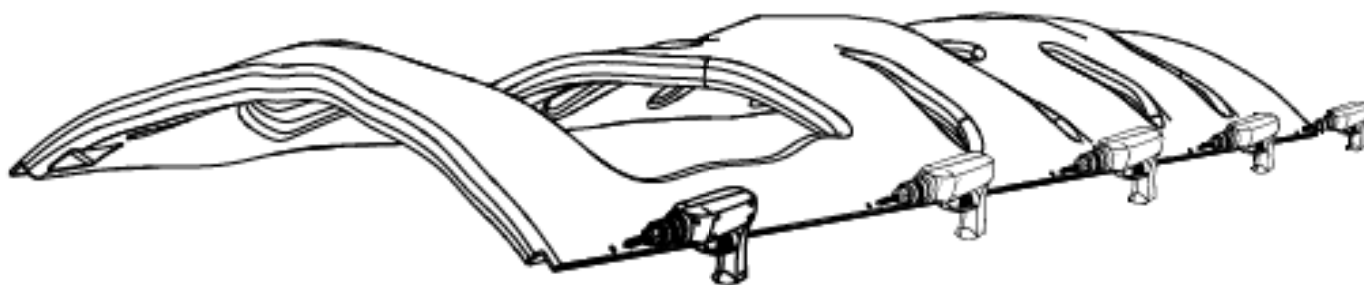
SEC 4



SEC

4.1

Place a **Climbing Wall Panel (CBX)** on the ground, or in a safe drilling position. The indentations in the Climbing Wall indicate the locations needed to be drilled. Using a 1/4" Drill Bit (not included), drill completely through the plastic.



Drill holes at the angle shown



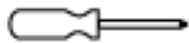
Note: Repeat this step to drill through the indentations in the other Climbing Wall Panel.



Note: The panels have five indentations on each side for a total of 10 indentations per panel. Make sure to drill through all 20 indentations.



TOOLS AND HARDWARE REQUIRED FOR THIS PAGE



ADW (x5)

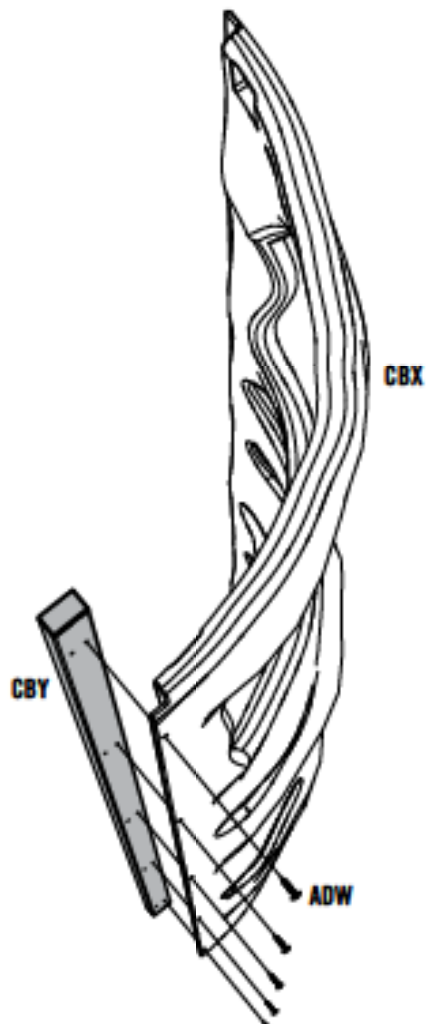
SEC 4



SEC

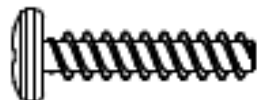
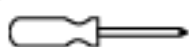
4.2

Place the **Climbing Wall Pole (CBY)** into one of the notches on the **Climbing Wall Panel (CBX)** as shown. Secure the Pole to the Climbing Wall with the hardware shown.





TOOLS AND HARDWARE REQUIRED FOR THIS PAGE



ADV (x5)

SEC 4

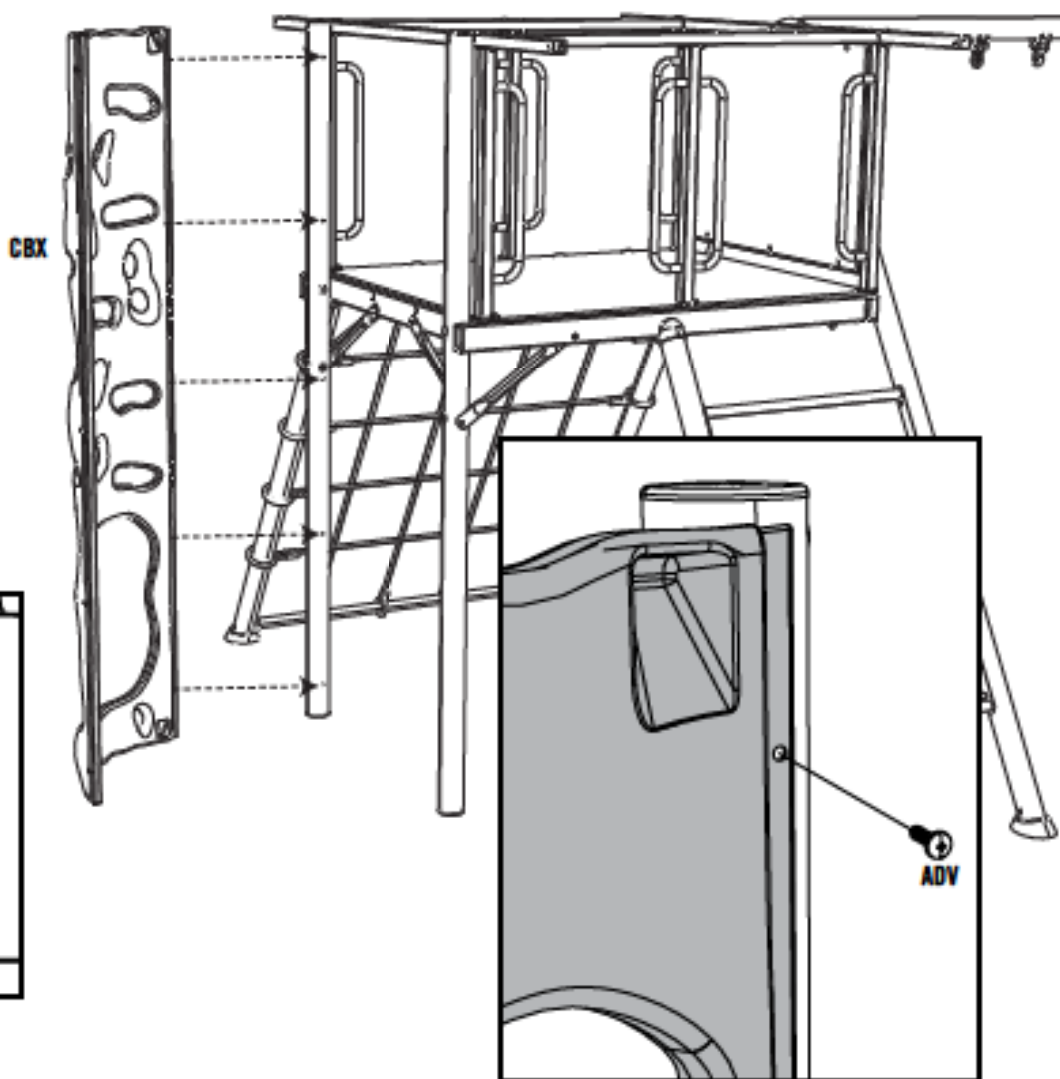
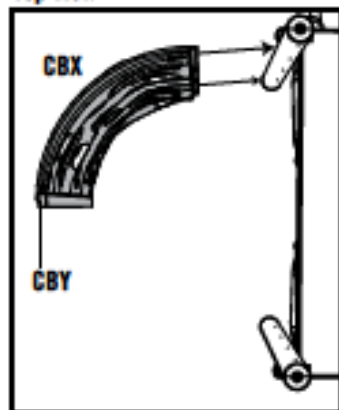


SEC

4.3

Place a **Climbing Wall Panel (CBX)** that is attached to the **Climbing Wall Pole (CBY)** in the location shown. Make sure the Climbing Wall Panel is oriented as shown. Secure the Climbing Wall Panel to the **Left Vertical Pole (CBK)** with the hardware shown.

Top View

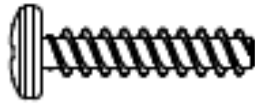


Note: This step requires two people.



TOOLS AND HARDWARE REQUIRED FOR THIS PAGE

SEC 4



ADV (x5)



ADW (x5)

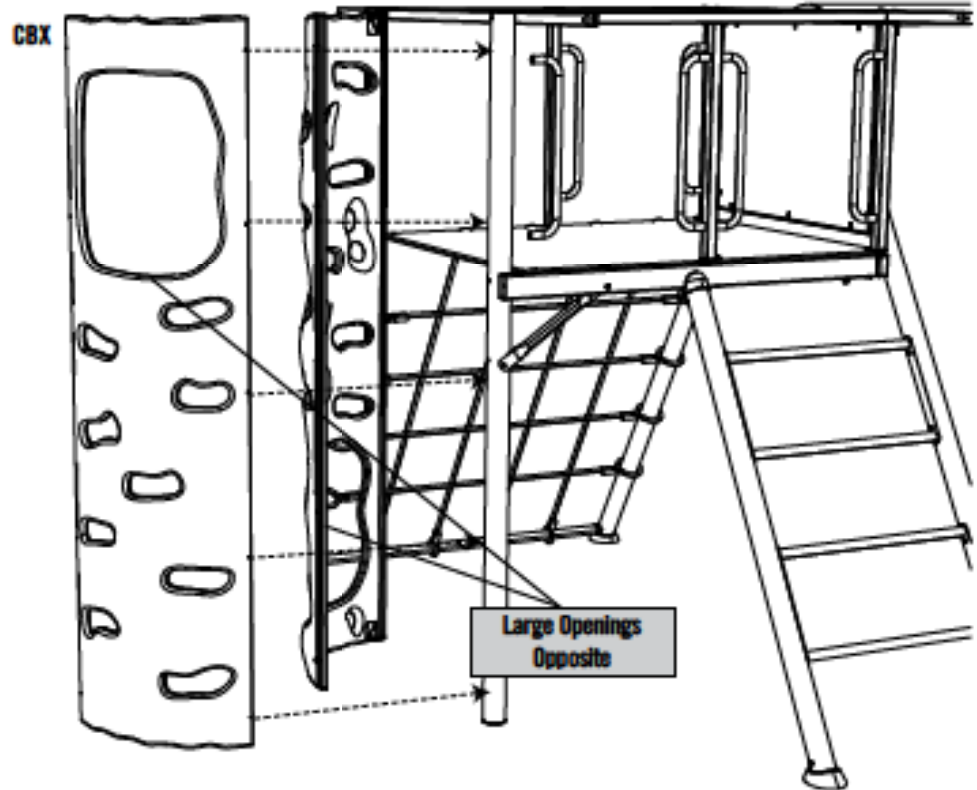
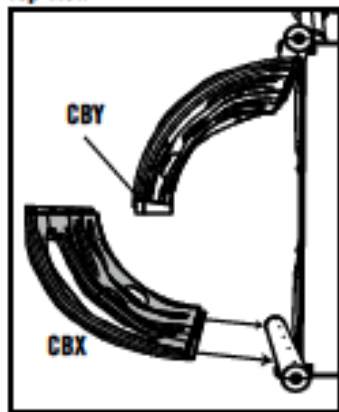


SEC

4.4

Place the other Climbing Wall Panel (CBX) that is not attached to the Climbing Wall Pole (CBY) in the location shown. Make sure the Climbing Wall Panel is oriented as shown in the image below. Attach this Panel to the Wall Pole using the #10 x 3/4" Pan Head Screws (ADW) and the Right Vertical Pole (CBJ) using the 1/4" x 1 1/8" Screws (ADV).

Top View



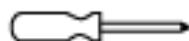
Note: This step requires two people.



Note: Both Climbing Wall Panels are the same. Mount the panels so that the large openings are opposite.



TOOLS AND HARDWARE REQUIRED FOR THIS PAGE

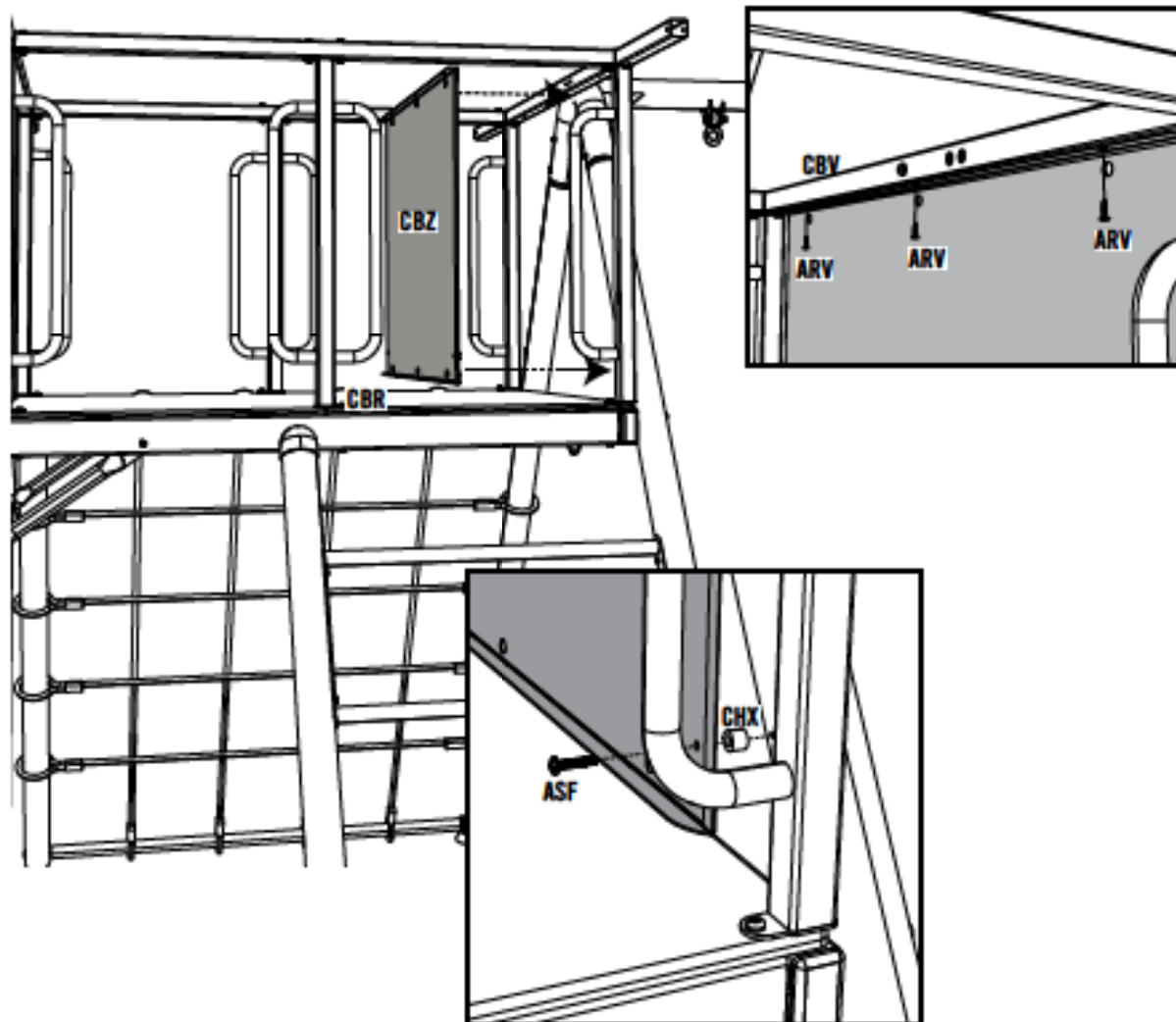


SEC 4

SEC

4.5

Place the **Chalkboard (CBZ)** between the **Deck (CBR)** and the **A-Frame Deck Tube (CBV)**. Secure the bottom of the Chalkboard with two #14 x 1/4" Screws (**ASF**). Attach the top of the chalkboard with the hardware shown.



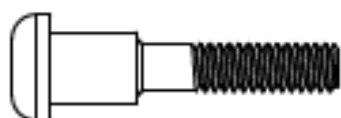
Bottom of Chalkboard--
complete for both sides

5 ROOF ASSEMBLY

HARDWARE REQUIRED

ROOF ASSEMBLY HARDWARE BAG [CAE]

Hardware shown at Actual Size



BZN (x8)
1/4" x 1 1/2" Shoulder Bolt



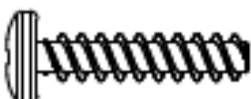
BRL (x4)
5/16" Bonded Washer



CUX (x4)
1 1/2" Flat Plug Cap



ASE (x4)
5/16" Nylock Nut



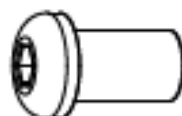
ADV (x48)
1/4" x 1 1/8" Pan-head Screw



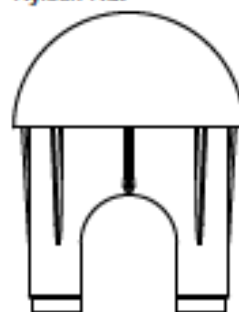
ARL (x8)
1/4" Washer



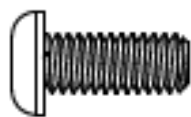
ARD (x4)
.343" Cap Plug



BTS (x8)
1/4" Barrel Nut



BZS (x8)
1 1/2" Full Dome Cap
(not to scale)



ARN (x8)
5/16" x 3/4" Bolt

PARTS REQUIRED

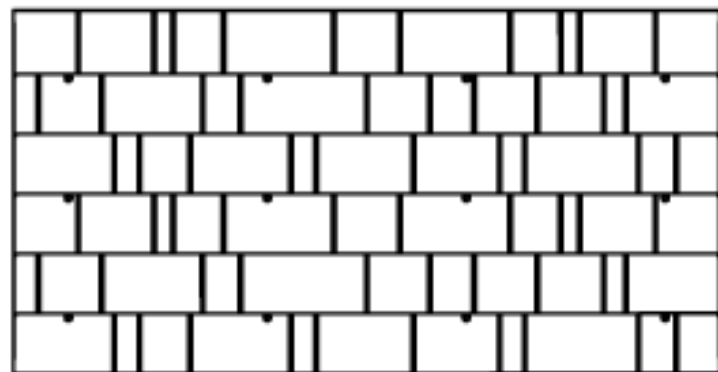
Parts shown at 5% of Actual Size



CCA (x2)
Round Roof Tube

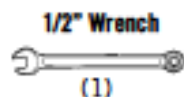


CCB (x8)
Roof Truss

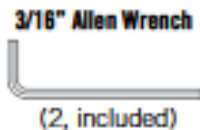


CCC (x4)
Roof Panel

TOOLS REQUIRED



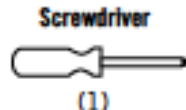
1/2" Wrench
(1)



3/16" Allen Wrench
(2, included)



Ladder
(1)



Screwdriver
(1)

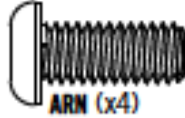


Rubber Mallet



TOOLS AND HARDWARE REQUIRED FOR THIS PAGE

3/16"



ARN (x4)



CUX (x4)



ARO (x4)



BRL (x4)

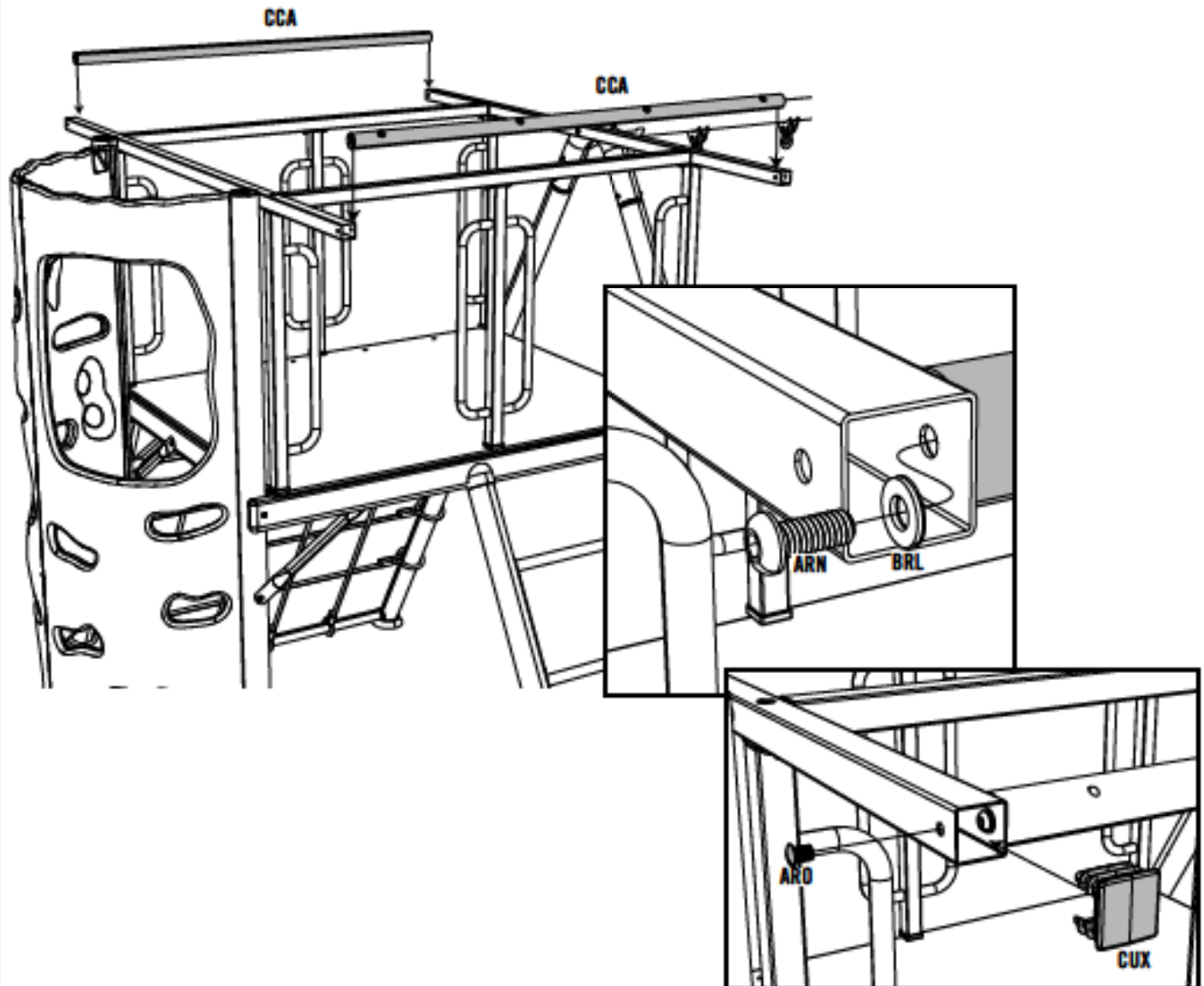
SEC 5



SEC

5.1

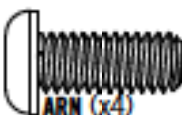
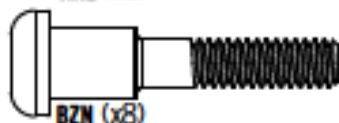
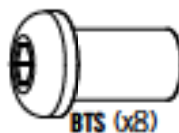
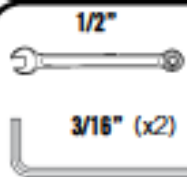
Secure the **Round Roof Tubes (CCA)** to the **A-Frame** and **Climbing Wall Deck Tubes (CBV, CBW)**. Secure the Round Roof Tubes with the hardware shown. Place a **Flat Plug Cap (CUX)** in each end of the Deck Tubes, then place the **.343 Cap Plugs (ARO)** in the locations shown. Make sure the Round Roof Tube sits so the holes are angled outward as pictured.





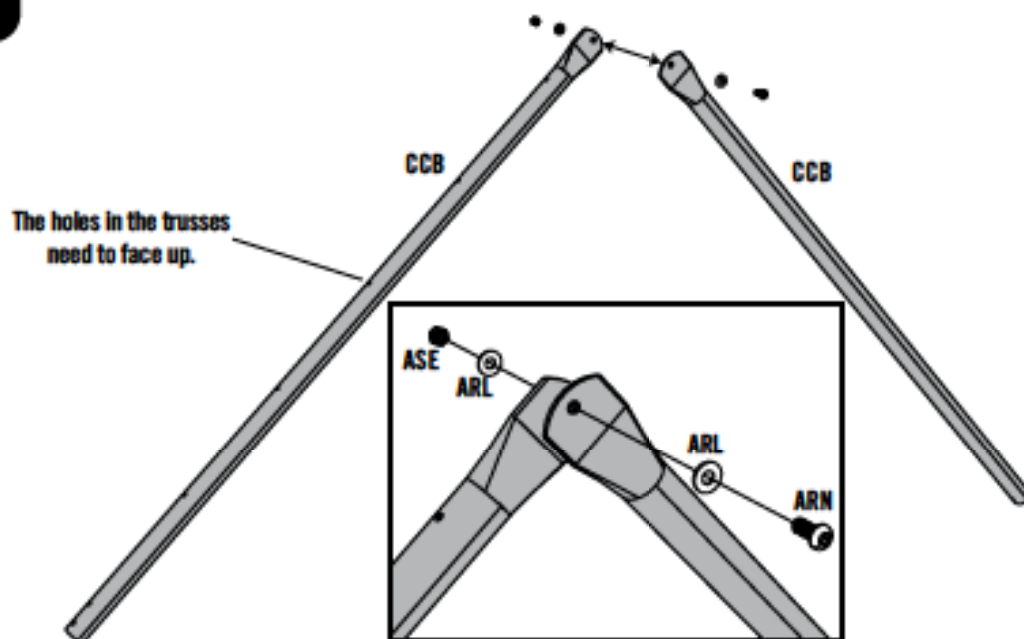
TOOLS AND HARDWARE REQUIRED FOR THIS PAGE

SEC 5



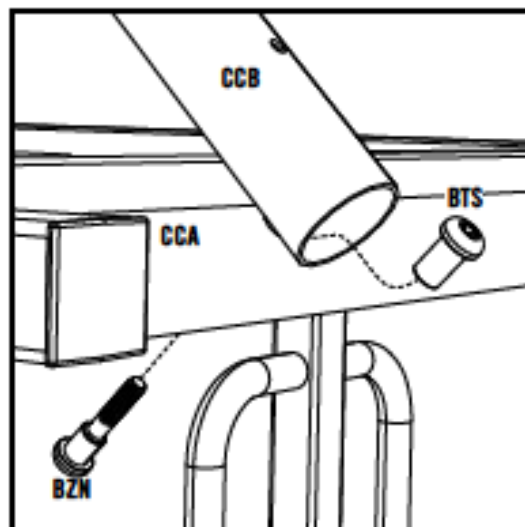
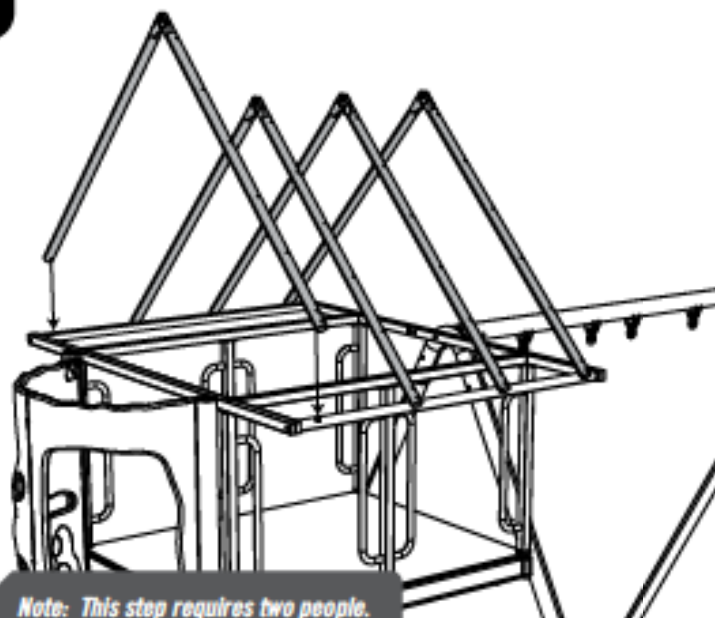
SEC 5.2

Connect two Roof Trusses (CCB) together as shown. Repeat this step three more times to connect the other six Trusses.



SEC 5.3

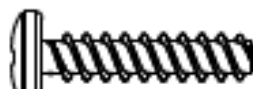
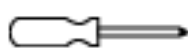
Place the Roof Trusses assembled in step 5.2 on the Round Roof Tubes (CCA) as shown and secure with the hardware shown.



Note: This step requires two people.



TOOLS AND HARDWARE REQUIRED FOR THIS PAGE



ADV (x24)



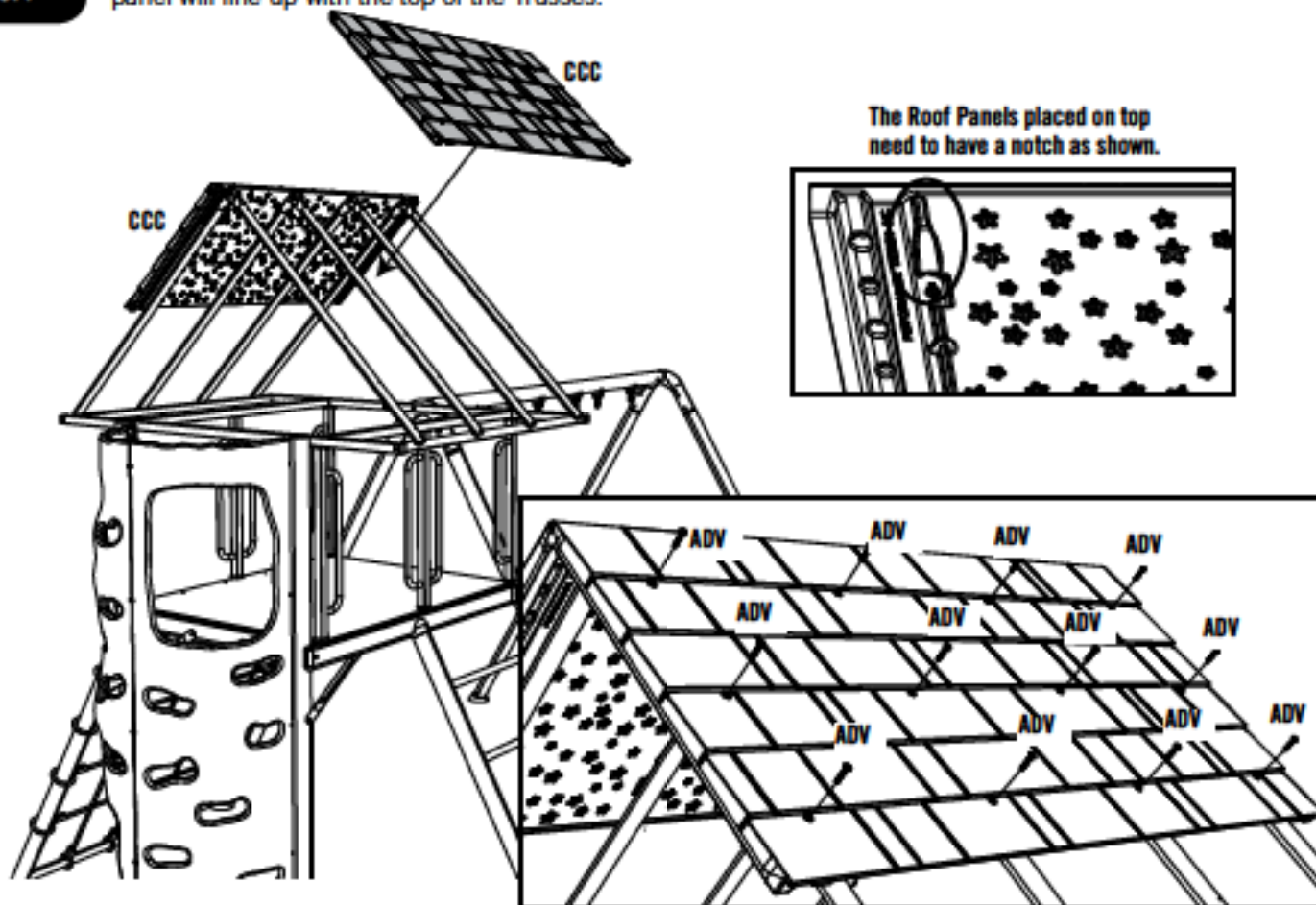
SEC 5



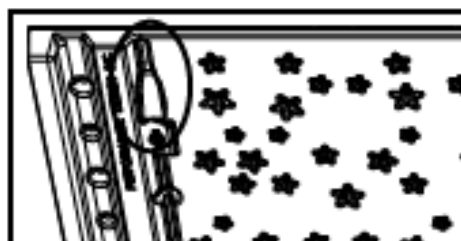
SEC

5.4

Attach the **Roof Panels (CCC)** to the **Roof Trusses (CCA)**, and secure the panels as shown. The notch at the top of the panel will line up with the top of the Trusses.



The Roof Panels placed on top need to have a notch as shown.



WARNING

Use extreme caution when standing on ladders to perform assembly steps. Follow all warnings and cautions on the ladder. Failure to follow all of these instructions and warnings could lead to serious personal injury or property damage.

CAUTION

Do not overtighten. Overtightening may damage parts and void warranty.



TOOLS AND HARDWARE REQUIRED FOR THIS PAGE



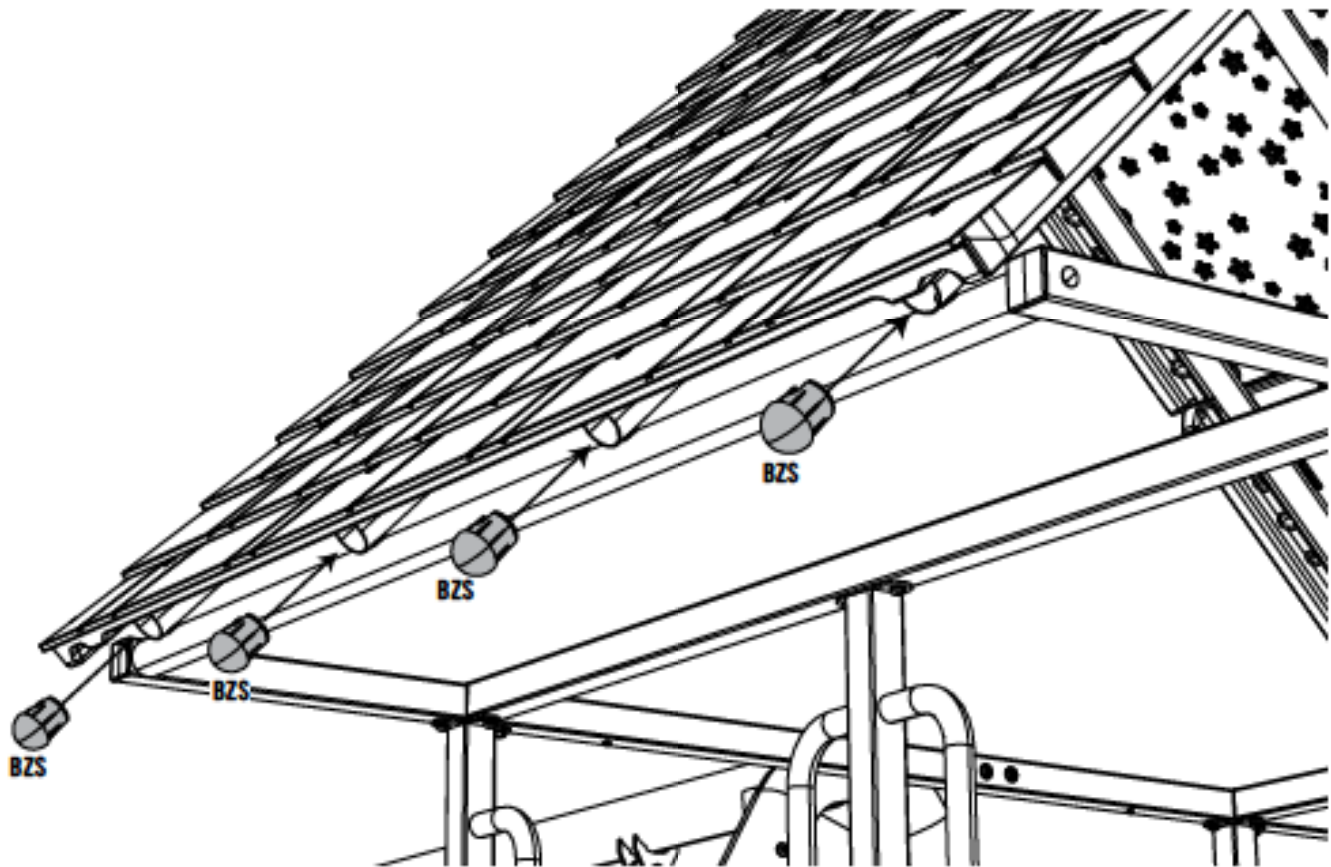
BZS (x8)
(not to scale)

SEC 5



SEC 5.6

Insert the 1 1/2" Dome Caps (BZS) into the ends of the Roof Trusses (CCB). Tap lightly with a Rubber Mallet if necessary.

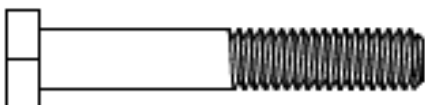


6 SLIDE AND ACCESORIES ASSEMBLY

HARDWARE REQUIRED

WHEEL ASSEMBLY HARDWARE BAG [CAF]

Hardware shown at Actual Size



ASH (x1)
5/16" x 2" Hex Bolt



BZU (x2)
5/16" x 3" Button Head Bolt



BZT (x1)
5/16" Nylock Jam Nut



BRL (x1)
5/16" Bonded Washer



ARM (x2)
5/16" Acorn Nut

BINOCULARS ASSEMBLY HARDWARE BAG [CAG]

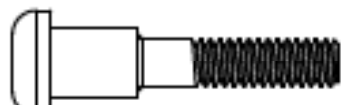
Hardware shown at Actual Size



ARU (x1)
5/16" x 2 1/2" Button Head Bolt



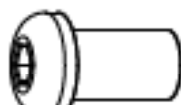
ARM (x1)
5/16" Acorn Nut



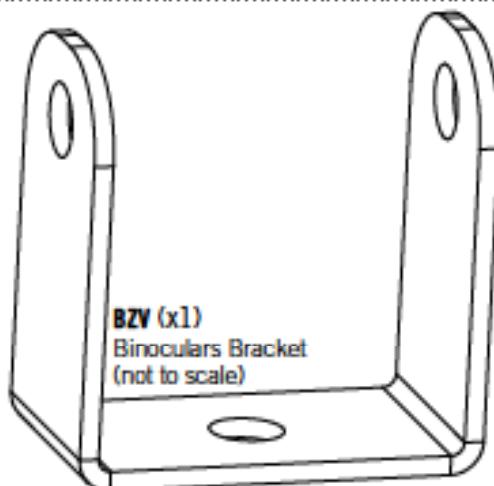
BZN (x1)
1/4" x 1 1/2" Shoulder Bolt



BRL (x2)
5/16" Bonded Washer



BTS (x1)
1/4" Barrel Nut



BZY (x1)
Binoculars Bracket
(not to scale)

SLIDE ASSEMBLY HARDWARE BAG [CAH]

Hardware shown at Actual Size



ARX (x3)
5/16" x 1 1/4" Button Head Bolt



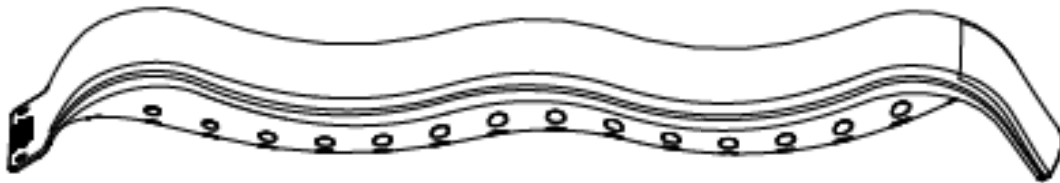
ARM (x3)
5/16" Acorn Nut



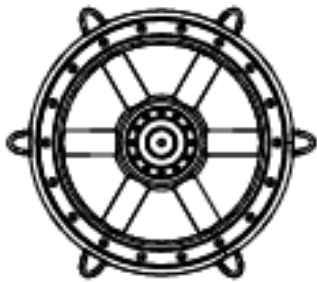
ARL (x6)
1/4" Zinc Washer

PARTS REQUIRED

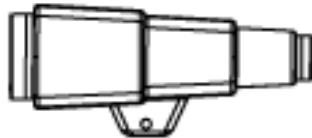
Parts shown at 5% of Actual Size



BEK (x1)
5' Slide

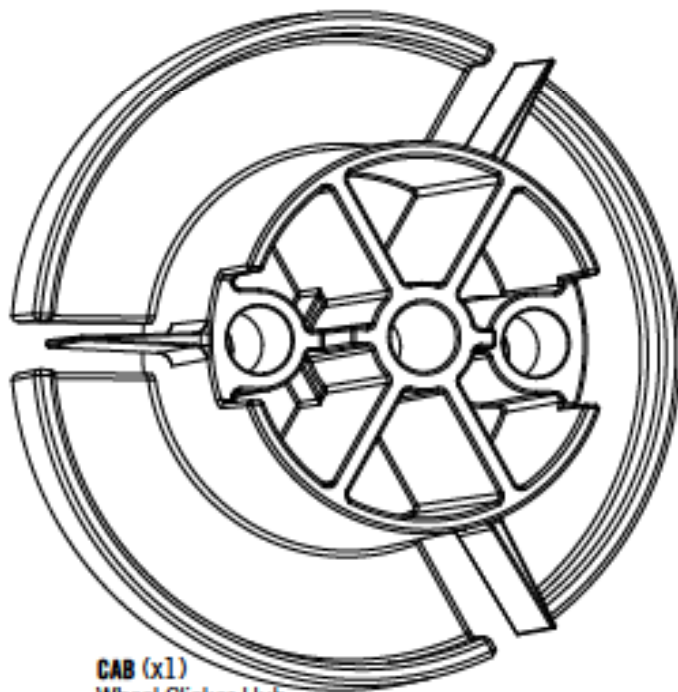


CCE (x1)
Captain's Wheel

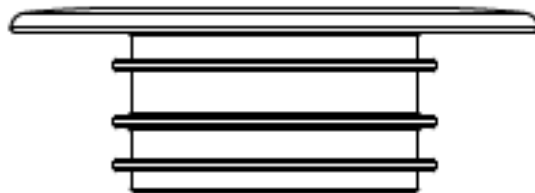


CCD (x1)
Binoculars

Parts shown at Actual Size



CAB (x1)
Wheel Clicker Hub



CAA (x1)
Wheel Cap

TOOLS REQUIRED

9/16" Wrench



(1)

1/2" Socket Wrench



(1)

3/16" Allen Wrench



(2, included)

Electric Drill



(1)

5/16" Drill Bit



(1)



TOOLS AND HARDWARE REQUIRED FOR THIS PAGE

SEC 6



5/16"



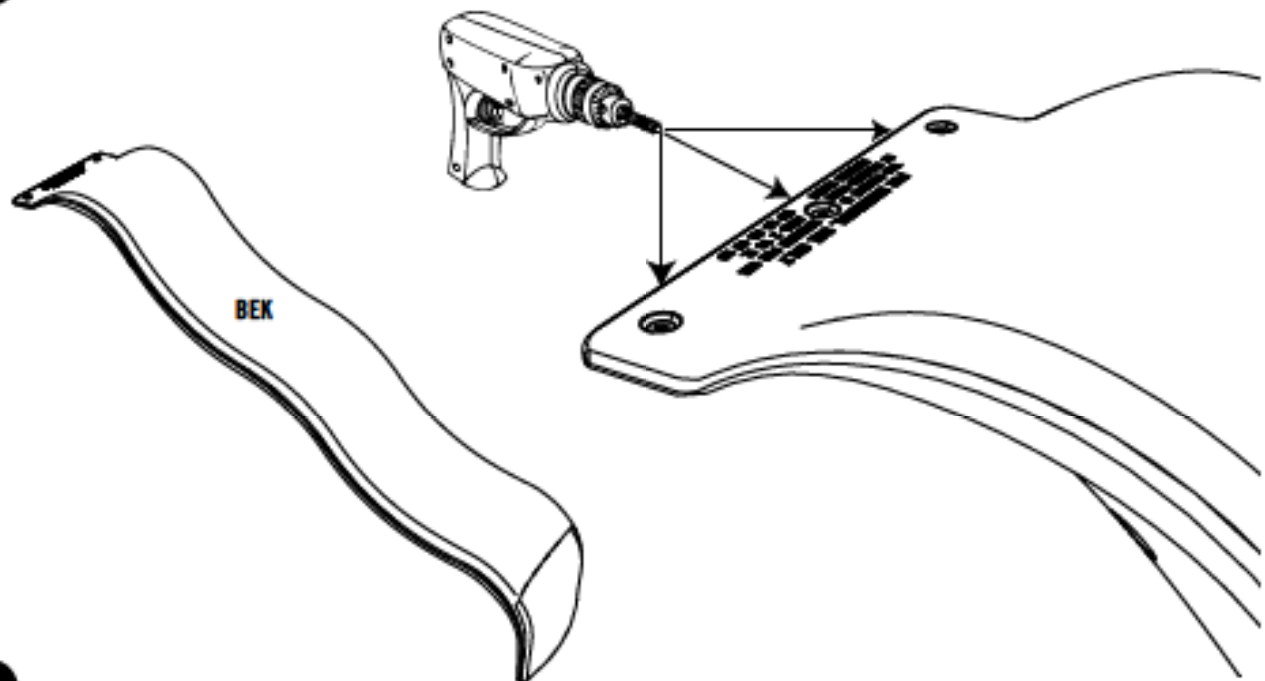
NO HARDWARE REQUIRED FOR THIS PAGE



SEC

6.1

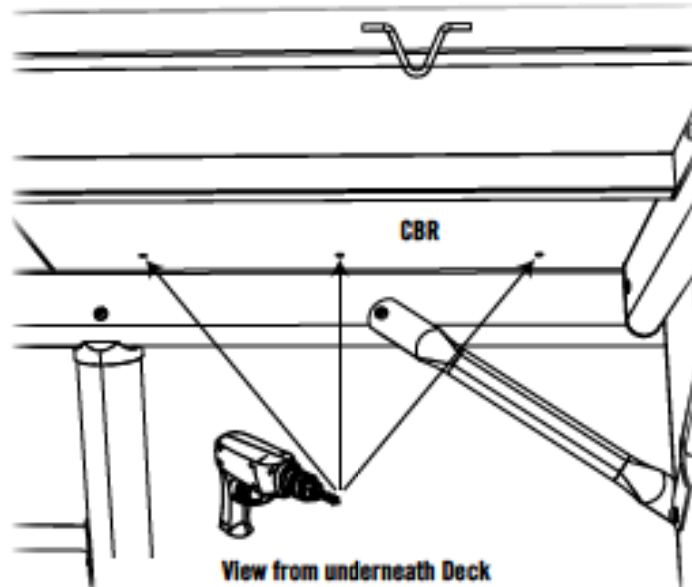
Use the Electric Drill to drill a hole through each of the three indents at the top of the slide.



SEC

6.2

Drill a hole through each of the three indents on the Ladder side of the Deck (CBR).





TOOLS AND HARDWARE REQUIRED FOR THIS PAGE

3/16"



9/16"



ARX (x3)



ARL (x6)



ARM (x3)

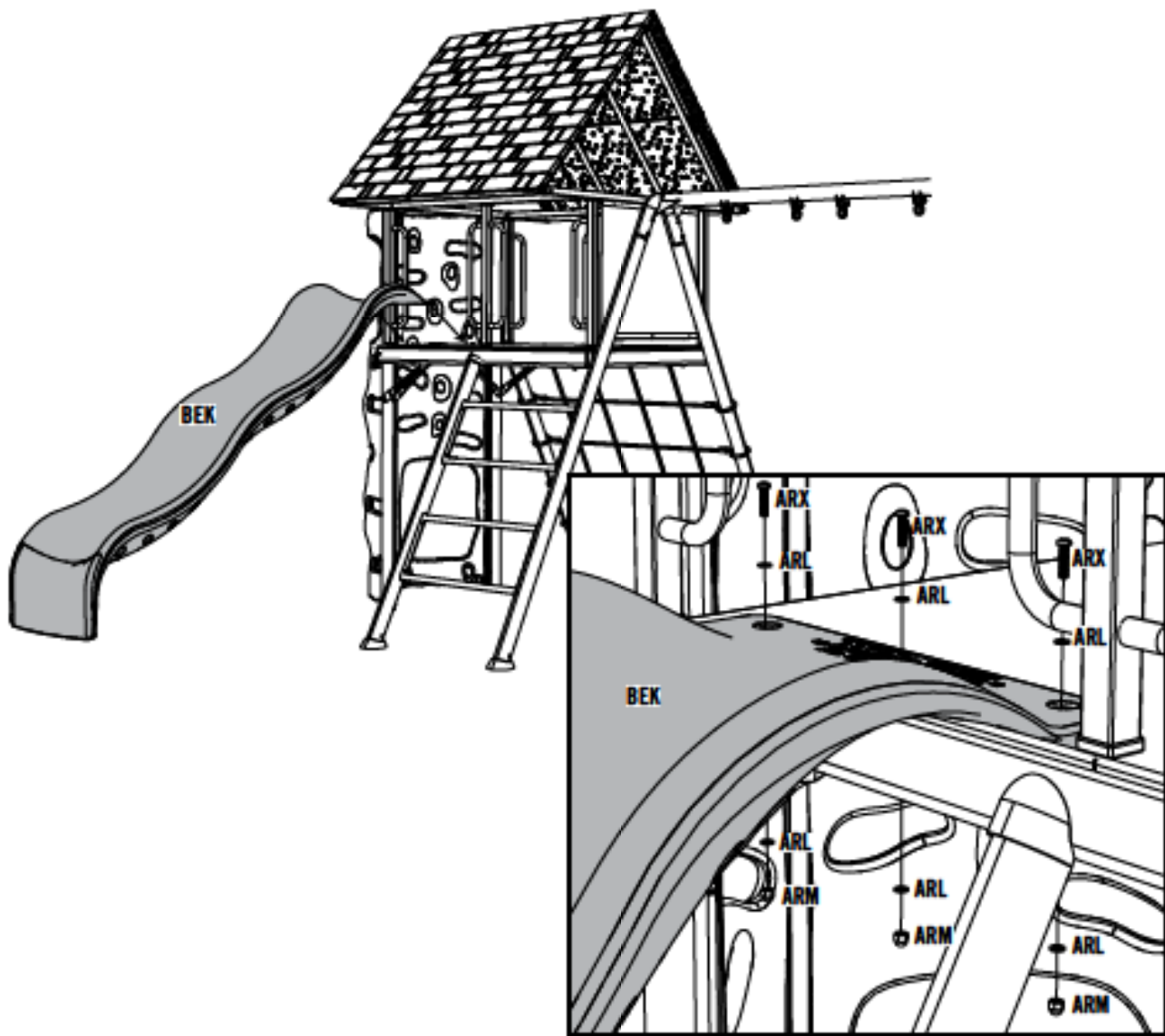
SEC 6



SEC

6.3

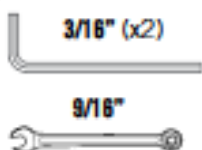
Attach the Slide (BEK) to the Deck (CBR) with the hardware indicated.





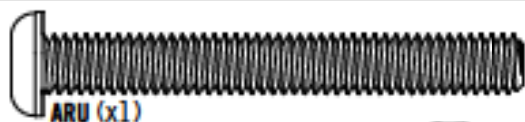
TOOLS AND HARDWARE REQUIRED FOR THIS PAGE

SEC 6



3/16" (x2)

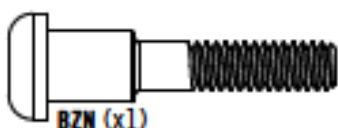
9/16"



ARU (x1)



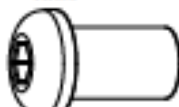
ARM (x1)



BZN (x1)



BRL (x2)



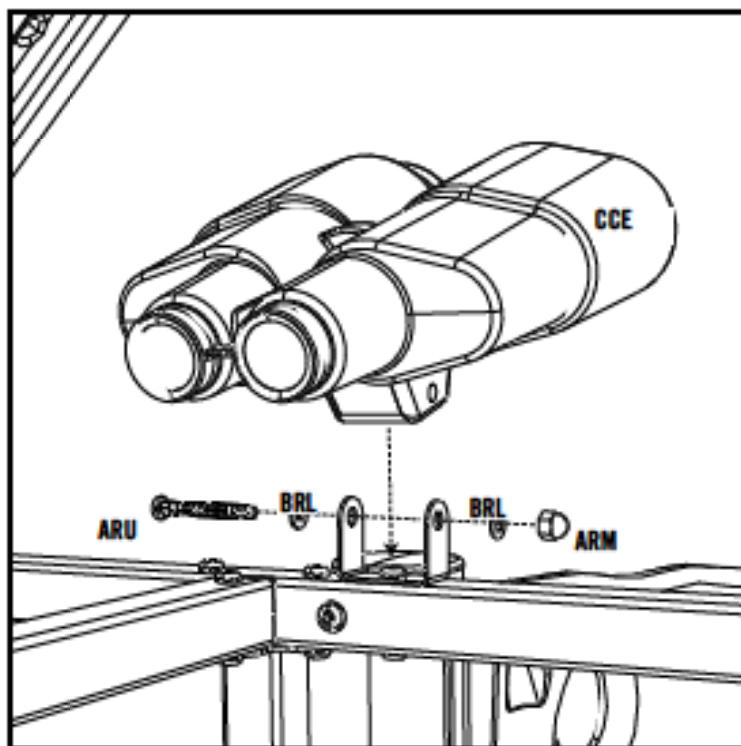
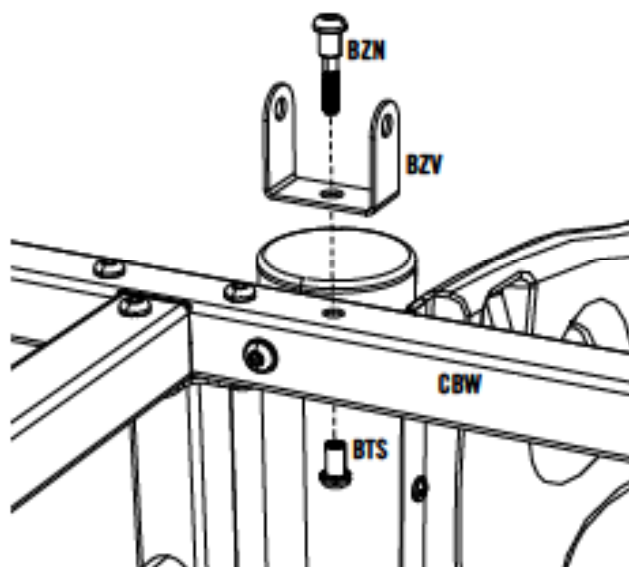
BTS (x10)



SEC

6.4

Attach the **Binocular Bracket (BZV)** to the **Climbing Wall Deck Tube (CBW)** and secure with the hardware shown. Attach the **Binoculars (CCE)** to the Bracket with the hardware shown.



Note: Do not overtighten the hardware. The Binoculars will not be able to rotate.



TOOLS AND HARDWARE REQUIRED FOR THIS PAGE

9/16"



1/2"



3/16"



ASH (x1)



BRL (x1)



ARM (x2)



BZU (x2)



BZT (x1)

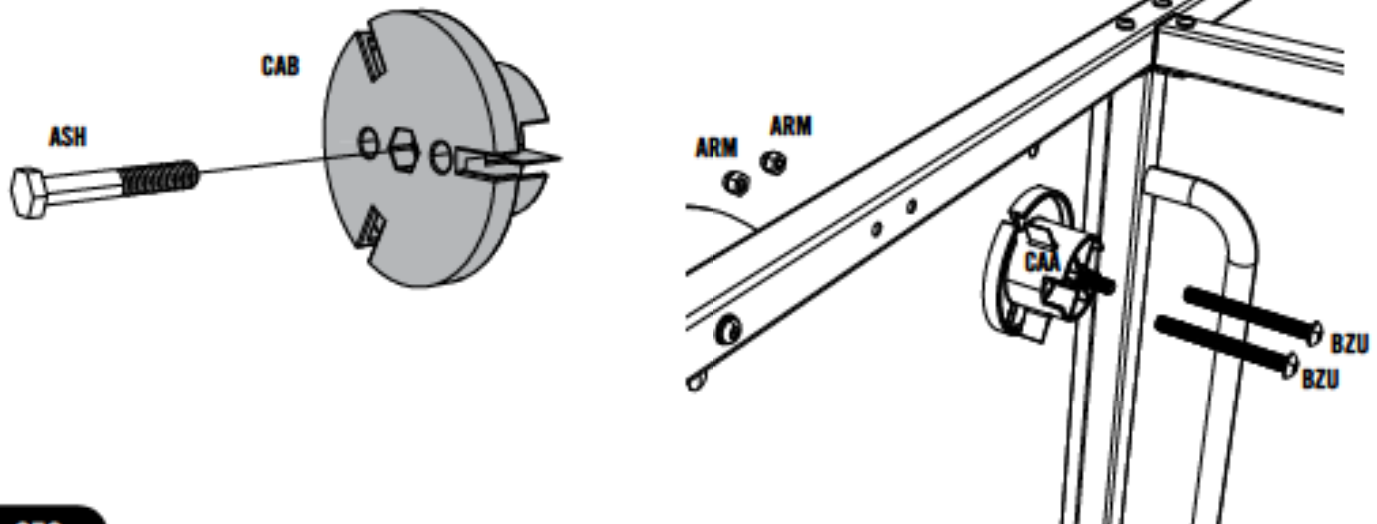


SEC 6

SEC

6.5

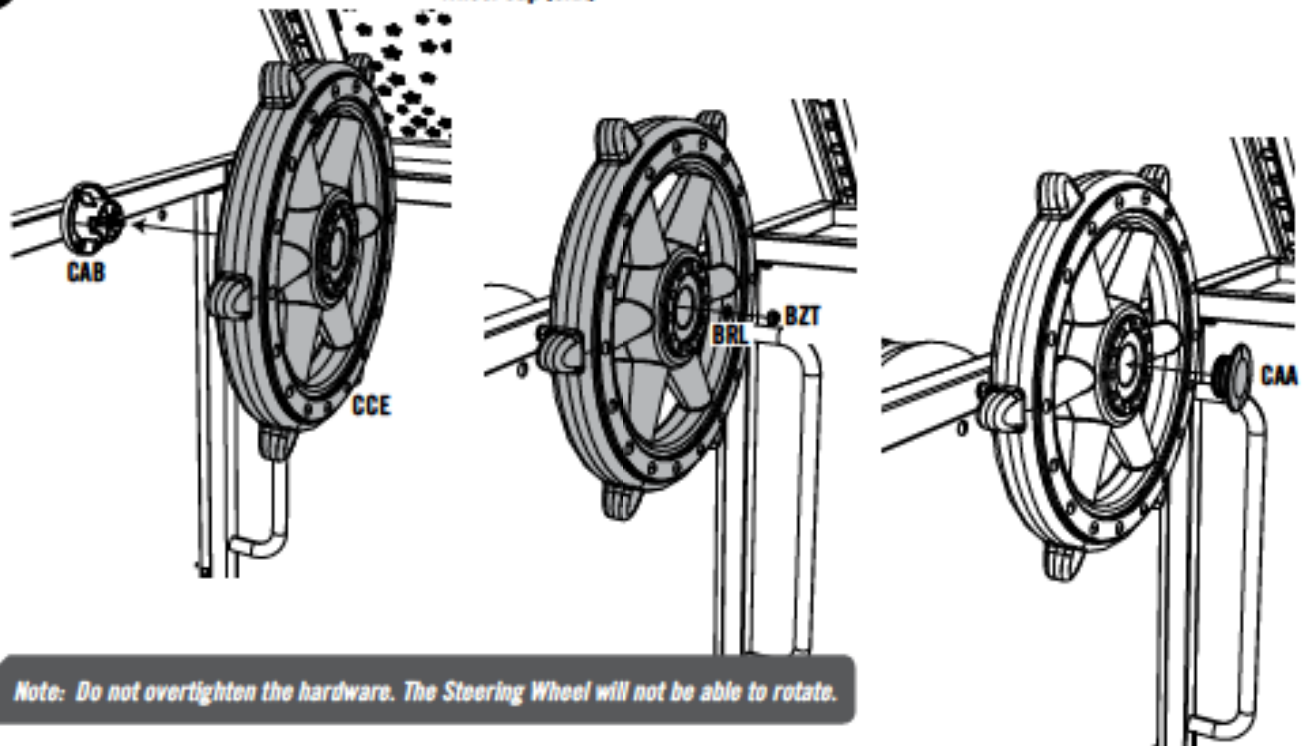
Slide the Hex Bolt (ASH) into the center hole of the Wheel Clicker Hub (CAB) as shown. Attach the Wheel Clicker Hub to the A-Frame Deck Tube (CBV) and secure with the hardware shown.



SEC

6.6

Place the Steering Wheel (CCE) over the Wheel Clicker Hub (CAB) as shown. Secure the Steering Wheel to the Wheel Clicker with the hardware shown. Insert the Wheel Cap (CAA) into the front of the Wheel.



Note: Do not overtighten the hardware. The Steering Wheel will not be able to rotate.

SEC 7 SWING ASSEMBLY

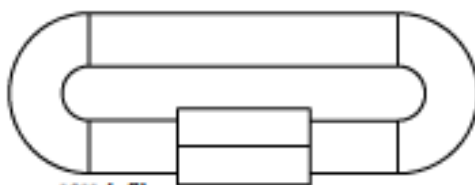
HARDWARE REQUIRED

SWING ASSEMBLY HARDWARE BAG [CAL]

Hardware shown at Actual Size



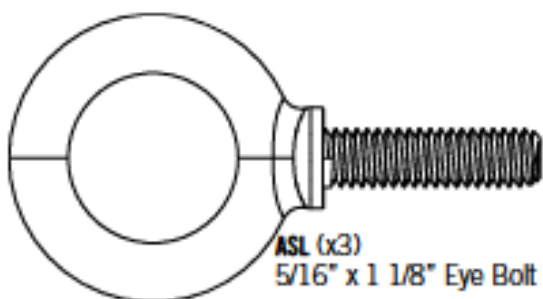
BZY (x6)
5/16" x 2 1/2" Button Head Bolt



ASM (x6)
Quick Link



ABK (x3)
5/16" Nylock Flanged Nut



ASL (x3)
5/16" x 1 1/8" Eye Bolt



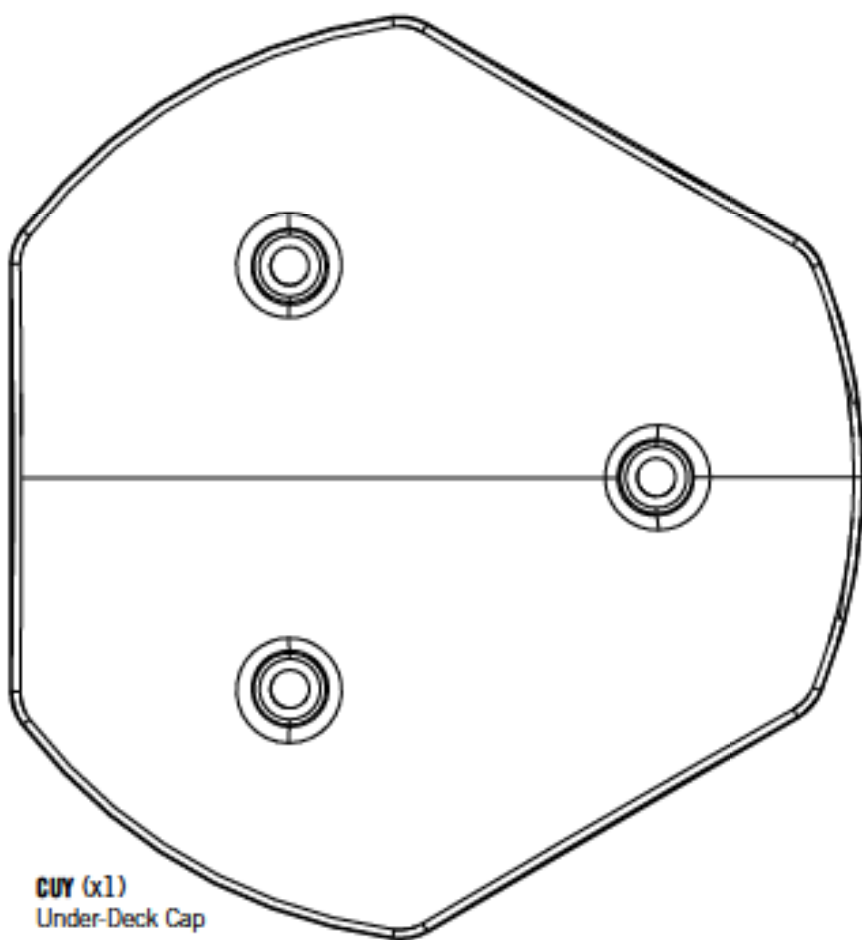
CUX (x6)
1 1/2" Flat Plug Cap



ARM (x6)
5/16" Acorn Nut



ARL (x3)
1/4" Washer



CUY (x1)
Under-Deck Cap

7 SWING ASSEMBLY

PARTS REQUIRED

Parts shown at 5% of Actual Size



BKT (x2)
Belt Swing

BKU (x1)
Trapeze Swing

Parts shown at 10% of Actual Size



CCF (x3)
Plastic Seat

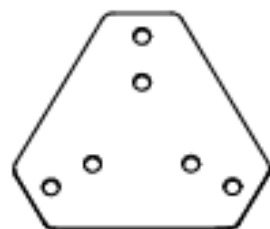


CCG (x3)
Under-Deck Swing Tube

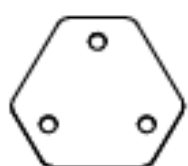


CCH (x3)
Soft Grip Chain

Parts shown at 25% of Actual Size

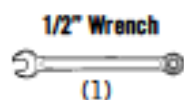


CCJ (x1)
6-Hole Bracket



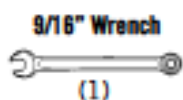
CCI (x1)
3-Hole Bracket

TOOLS REQUIRED



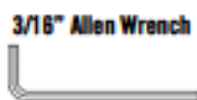
1/2" Wrench

(1)



9/16" Wrench

(1)



3/16" Allen Wrench

(2, included)



Ladder

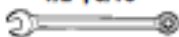
(1)



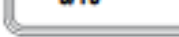
TOOLS AND HARDWARE REQUIRED FOR THIS PAGE

SEC 7

1/2", 9/16"



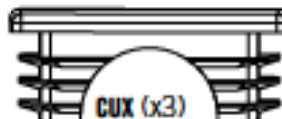
3/16"



ABK (x3)

CUY (x1)
(not to scale)

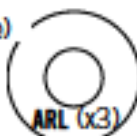
ARM (x6)



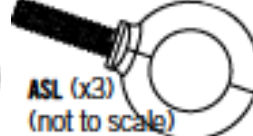
CUX (x3)



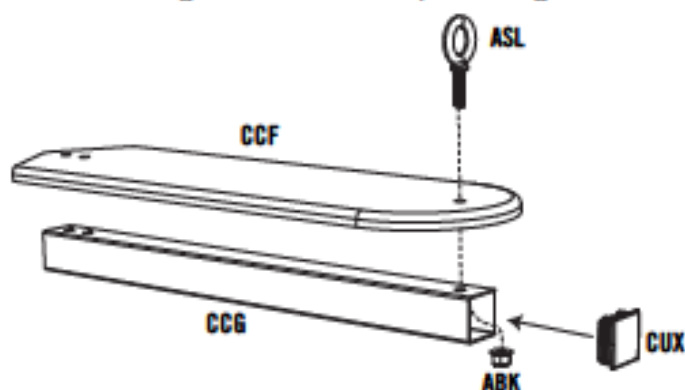
BZY (x6)



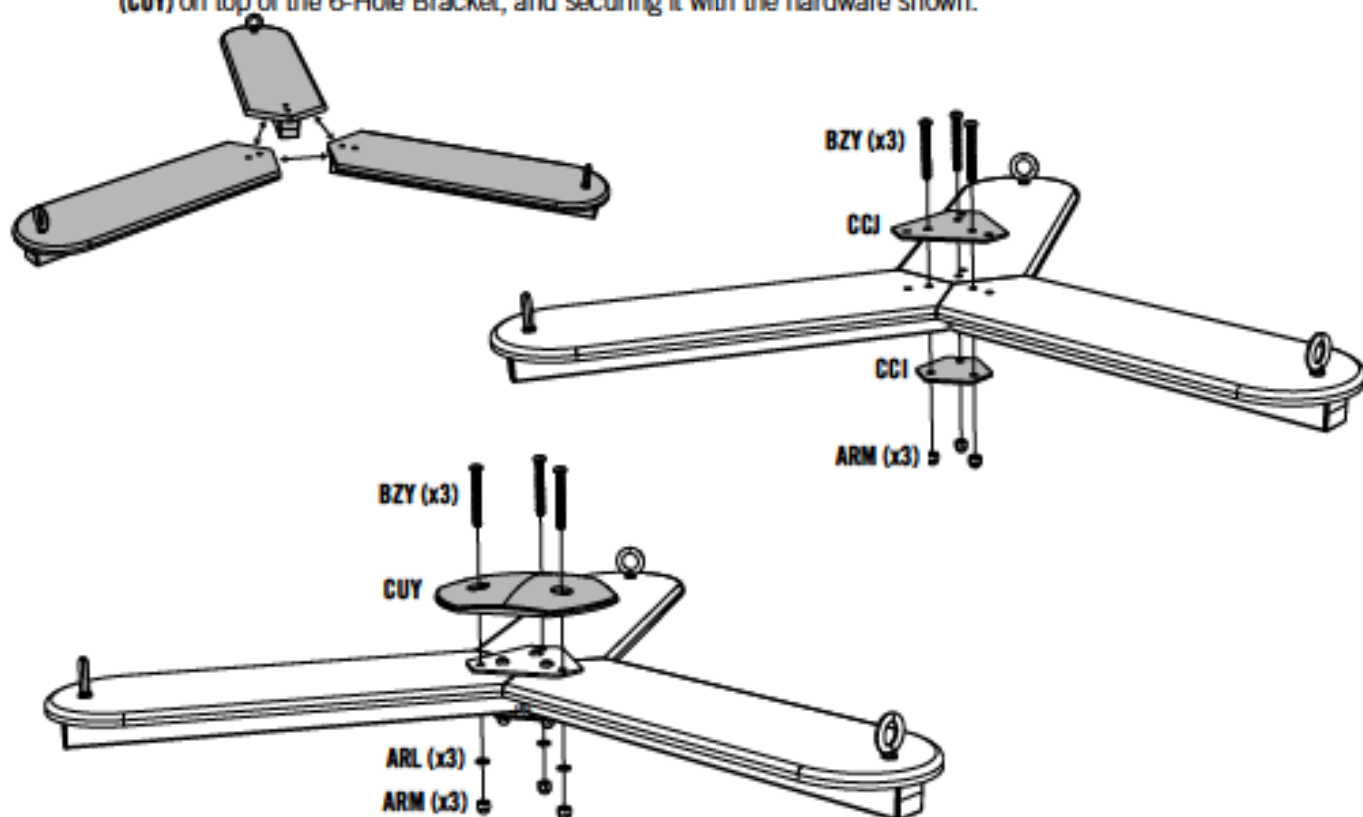
ARL (x3)

ASL (x3)
(not to scale)**SEC****7.1**

Place the **Plastic Seat (CCF)** on top of the **Under-Deck Swing Tube (CCG)** and secure with the hardware shown. After securing the seat to the tube, place the **Square Plug Cap (CUX)** into the end of the Tube with the **Eye Bolt (ASL)**. Repeat this step to assemble the two remaining Plastic Seats to the Square Tubings.

**SEC****7.2**

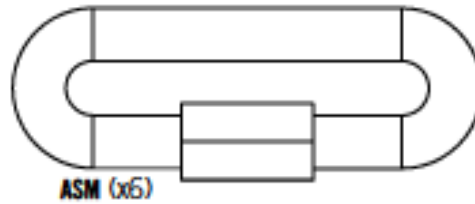
Bring the three assemblies completed in step 7.1 together. Secure the assemblies together using the **3-Hole Bracket (CCI)** and **6-Hole Bracket (CCJ)** and the hardware shown. Finish the Under-Deck Swing by placing the **Under-Deck Cap (CUY)** on top of the 6-Hole Bracket, and securing it with the hardware shown.





TOOLS AND HARDWARE REQUIRED FOR THIS PAGE

**NO TOOLS REQUIRED
FOR THIS PAGE**

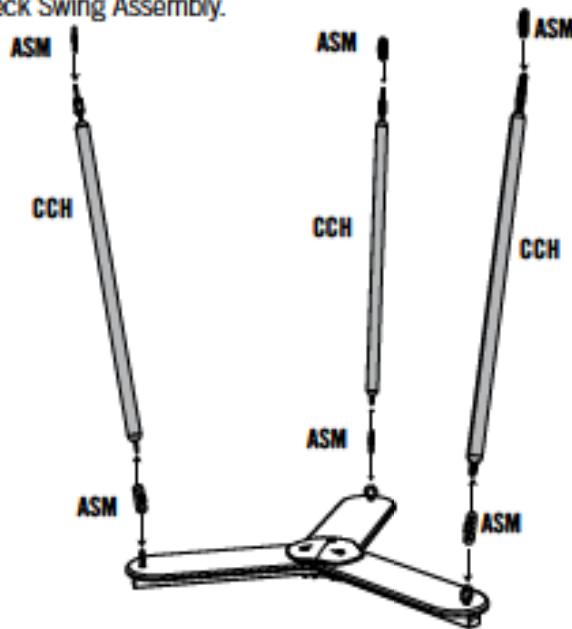


SEC 7



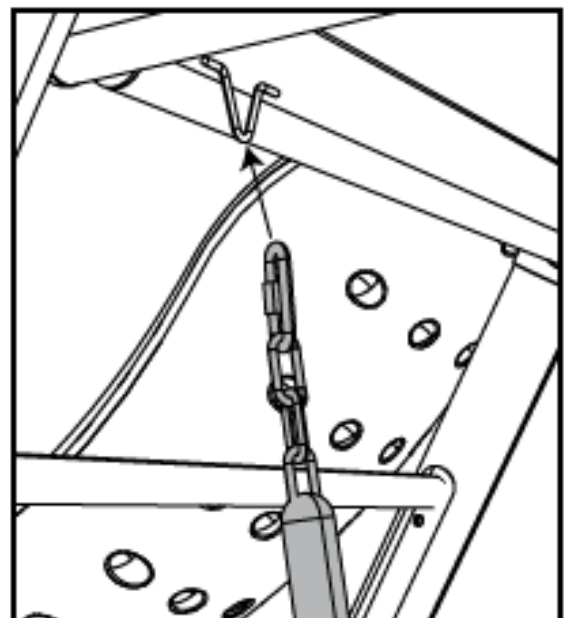
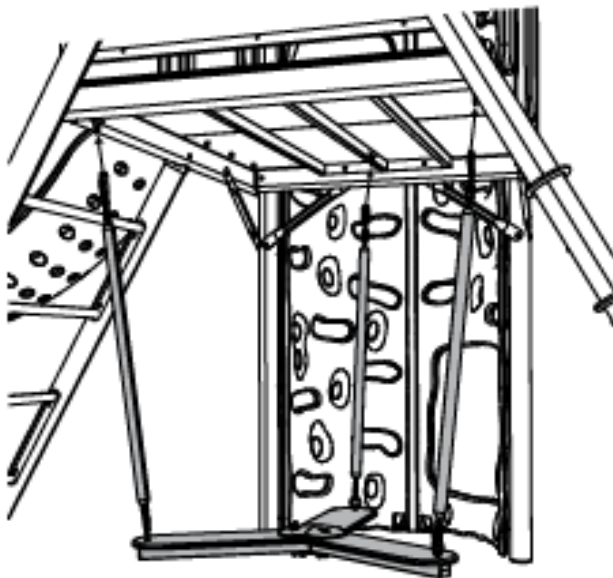
**SEC
7.3**

Attach a **Quick Link (ASM)** to both ends of each **Soft Grip Chain (CCH)**. Attach the **Soft Grip Chains (CCH)** to the **Eye Bolts (ASL)** in the **Under-Deck Swing Assembly**.



**SEC
7.4**

Attach the **Under-Deck Swing Assembly** to the hooks located on the underside of the Deck.





TOOLS AND HARDWARE REQUIRED FOR THIS PAGE

SEC 7



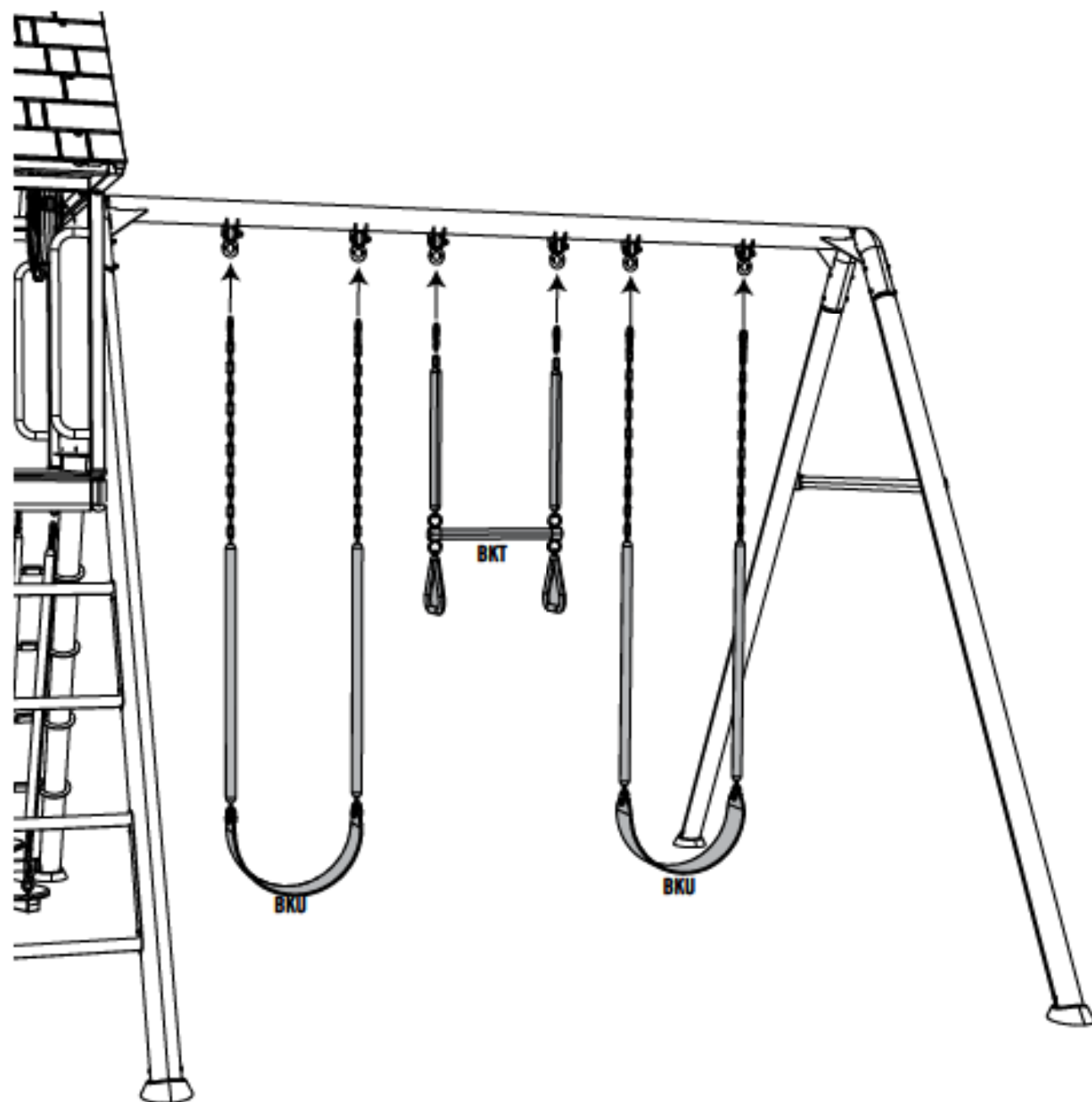
NO HARDWARE REQUIRED FOR THIS PAGE



SEC

7.5

Attach the **Belt Swings (BKT)** and the **Trapeze Swing (BKU)** to the Swing Hardware as shown.



If the warning sticker is illegible, destroyed, or removed, contact Customer Service for a replacement.



WARNING



This product is intended for use by children ages 3 to 12 and is for residential use only. Do not install over concrete, asphalt, packed earth, or any other hard surface. A fall onto a hard surface can result in serious injury.

Observing the following statements and warnings reduces the likelihood of serious or fatal injury:

- On-site adult supervision should be provided for children of all ages.
- Children should not walk close to, in front of, behind, or between moving items.
- Instruct children not to twist swing chains or ropes or loop them over the top support bar since this may reduce the strength of the chain or rope.
- Instruct children to avoid swinging empty seats.
- Teach children to sit in the center of the swings with their full weight on the seats. Never stand, sit or kneel on the swing seat.

- Instruct children not to use the equipment in a manner other than intended.
- Instruct children not to get off equipment while it is in motion.
- To prevent entanglement and strangulation, dress children appropriately using well-fitting shoes and avoiding ponchos, scarves, jackets with neck drawstrings, helmets with straps, and other loose-fitting clothing that is potentially hazardous while using equipment.
- Instruct children not to climb when the equipment is wet.
- Instruct children not to attach items to the playground equipment that are not specifically designed for use with the equipment, such as, but not limited to, jump ropes, clothesline, pet leashes, cables and chain as they may cause a strangulation hazard.



ADVERTENCIA



Este producto es para niños de 3 a 12 años de edad. Este producto es para uso residencial únicamente. No lo instale sobre concreto, asfalto, tierra empaquetada o cualquier otra superficie dura. La caída sobre una superficie dura podría ocasionar serias lesiones.

Si se presta atención a los siguientes enunciados y avisos de advertencia se reduce la probabilidad de producirse lesiones serias o mortales:

- Los niños de todas las edades deben estar bajo la supervisión de un adulto en el lugar.
- Los niños no deben caminar junto, en frente, detrás de o entre las piezas móviles.
- Indique a los niños no torcer las cadenas o sogas de los columpios ni pasarlas por encima de la barra de soporte superior, ya que puede reducirse la resistencia de las cadenas o sogas, según sea el caso.
- Indique a los niños que eviten impulsar columpios vacíos.
- Enseñe a los niños a sentarse en el centro de los columpios, con todo su peso en los asientos. Nunca deben pararse ni hincarse en el asiento del columpio.
- Indique a los niños no usar el equipo de ninguna forma diferente a la indicada.
- Indique a los niños no bajarse del equipo cuando esté en movimiento.
- Para evitar la posibilidad de que los niños se enreden y estrangulen, vístalos debidamente con zapatos debidamente ajustados y sin ponchos, bufandas, chamarras con cordones de apriete en el cuello, cascos con correas y otras ropas holgadas que puedan ser peligrosas al usar el equipo.
- Indique a los niños no subirse cuando esté húmedo el equipo.
- Indique a los niños no adherir al equipo de patio de juegos objetos no diseñados específicamente para éste, como cuerdas de saltar, cuerdas de tendedero de ropa, correas de mascotas, cables y cadenas, ya que podrían causar un peligro de estrangulación.



AVERTISSEMENT



Ce produit est conçu pour un usage par des enfants âgés de 3 à 12 ans. Ce produit est réservé à un usage personnel seulement. Ne pas installer sur du béton, de l'asphalte, de la terre compactée ou toute autre surface dure. Une chute sur une surface dure peut entraîner des blessures graves.

L'observation des déclarations et des avertissements suivants réduit les risques de blessures graves ou fatales:

- La présence d'un adulte surveillant les enfants de tous âges doit être assurée.
- Veiller à ce que les enfants ne marchent pas près, devant, derrière ou entre les éléments en mouvement.
- Veiller à ce que les enfants ne tordent pas les chaînes ou cordes de la balançoire. De même, veiller à ce que les enfants ne bouclent pas les chaînes ou les cordes au-dessus de la barre de support supérieure, car cela pourrait en réduire leur solidité.
- Veiller à ce que les enfants ne balancent pas les sièges vides.
- Veiller à ce que les enfants s'assoient au centre des sièges de la balançoire, avec leur plein poids sur le siège. Veiller à ne jamais s'asseoir, s'agenouiller ou se tenir debout sur le siège.
- Veiller à ce que les enfants n'utilisent pas l'équipement à d'autres fins que pour l'usage prévu.
- Veiller à ce que les enfants ne descendent pas de l'équipement lorsqu'il est encore en mouvement.
- Pour éviter l'enlèvement des cordes et des chaînes et ainsi éviter tout risque d'étranglement, veiller à habiller les enfants correctement. Utiliser des soulers bien adaptés. Ne pas mettre des ponchos, foulards, blousons avec des cordons près du cou, casques avec des sangles et tout autre vêtement ample pouvant potentiellement s'avérer dangereux lors de l'utilisation de l'équipement.
- Veiller à ce que les enfants ne grimpent pas sur l'équipement quand celui-ci est mouillé.
- Veiller à ne pas attacher d'objets sur l'équipement de jeu non spécifiquement conçus pour cet équipement, tels que, mais sans s'y limiter, cordes à sauter, cordes à linge, laisses d'animaux, câbles et chaînes. Ceux-ci posent un risque d'étranglement.

Lifetime Products, Inc
Clearfield, UT 84016

www.lifetime.com

12/24/2008 # 1048430

ENHANCE YOUR LIFETIME® PURCHASE BY ADDING ACCESSORIES OR OTHER GREAT PRODUCTS:

To purchase accessories or other Lifetime Products, visit us at:

www.lifetime.com

Or call: 1-800-424-3865



WARRANTY INFORMATION

LIFETIME PLAYGROUND EQUIPMENT 5-YEAR LIMITED FACTORY WARRANTY*

THE MANUFACTURER RESERVES THE RIGHT TO MAKE SUBSTITUTIONS TO WARRANTY CLAIMS IF PARTS ARE UNAVAILABLE OR OBSOLETE.

1. Lifetime Playground systems are warranted to the original purchaser to be free from defects in material or workmanship for a period of five years from the date of original retail purchase. The word "defects" is defined as imperfections that impair the use of the product. Defects resulting from misuse, abuse or negligence will void this warranty. This warranty does not cover defects due to improper installation, alteration or accident. This warranty does not cover damage caused by vandalism, rusting, "acts of nature" or any other event beyond the control of the manufacturer.
2. This warranty is nontransferable and is expressly limited to the repair or replacement of defective playground equipment. If the equipment is defective within the terms of this warranty, Lifetime Products, Inc. will repair or replace defective parts at no cost to the purchaser. Shipping charges to and from the factory are not covered and are the responsibility of the purchaser. Labor charges and related expenses for removal, installation or replacement of the playground system or its components are not covered under this warranty.
3. This warranty does not cover scratching or scuffing of the product that may result from normal usage. In addition, defects resulting from intentional damage, negligence or unreasonable use will void this warranty.
4. Liability for incidental or consequential damages is excluded to the extent permitted by law. While every attempt is made to embody the highest degree of safety in all equipment, freedom from injury cannot be guaranteed. The user assumes all risk of injury resulting from the use of this product. All merchandise is sold on this condition, and no representative of the company may waive or change this policy.
5. This product is not intended for institutional or commercial use; Lifetime Products, Inc. does not assume any liability for such use. Institutional or commercial use will void the warranty.
6. This warranty is expressly in lieu of all other warranties, expressed or implied, including warranties of merchantability or fitness for use to the extent permitted by Federal and state law. Neither Lifetime Products, Inc., nor any representative assumes any other liability in connection with this product. This warranty gives you specific legal rights, and you may also have other rights which vary from state to state.

ALL WARRANTY CLAIMS MUST BE ACCOMPANIED BY A SALES RECEIPT.

REPORT PRODUCT DEFECTS IN WRITING TO:

Lifetime Products, Inc., PO Box 160010 Clearfield, UT 84016-0010 or call (800) 225-3865 M-F 7 a.m. to 5 p.m. MST.

Please include your dated sales receipt and photographs of damaged parts.

Save this owner's manual for future reference and in the event that the manufacturer has to be contacted.

To register the product, visit our Web site at www.lifetime.com



www.lifetime.com

*Warranty is only valid in the United States.