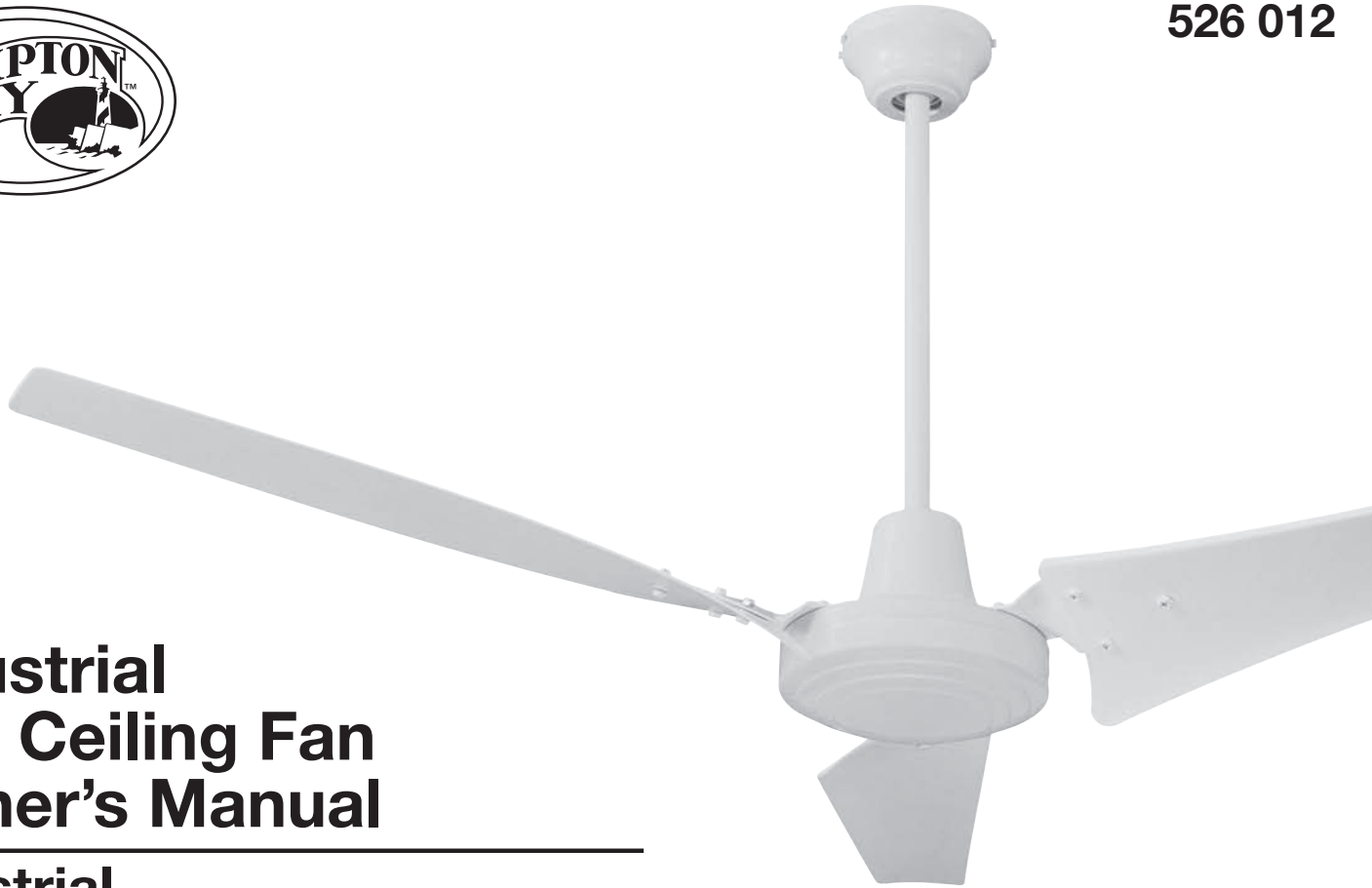




526 012



# Industrial 60 in Ceiling Fan Owner's Manual

---

Industrial  
Ventilador de Techo de 1,52 m  
Manual del Propietario



# 60” Industrial Ceiling Fan by Hampton Bay

4-Speed Reverse Function for Year-  
Round Comfort and Savings

Single-mount Installation

Steeper Blade Pitch for  
Greater Air Movement

Wired Wall Mount  
Control Included

## **QUESTIONS, PROBLEMS, MISSING PARTS:**

Before returning to your local Home Depot, please call our  
Customer Service Team at 1-877-527-0313 or visit [www.homedepot.com](http://www.homedepot.com).

Please reference your SKU (526 012 white)  
or UPC (82392 928568 white).

Thank you for purchasing this Hampton Bay ceiling fan. This product has been manufactured with the highest standards of safety and quality. The finish of this fan is weather resistant, but over time will naturally weather and fade.

## Table of Contents

|                                  |           |
|----------------------------------|-----------|
| <b>Safety Rules .....</b>        | <b>1</b>  |
| <b>Unpacking Your Fan .....</b>  | <b>2</b>  |
| <b>Installing Your Fan .....</b> | <b>3</b>  |
| <b>Care of Your Fan .....</b>    | <b>8</b>  |
| <b>Troubleshooting.....</b>      | <b>8</b>  |
| <b>Specifications .....</b>      | <b>9</b>  |
| <b>Warranty Information.....</b> | <b>10</b> |

## READ AND SAVE THESE INSTRUCTIONS

1. To reduce the risk of electric shock, insure electricity has been turned off at the circuit breaker or fuse box before beginning.
2. All wiring must be in accordance with the National Electrical Code ANSI/NFPA 70-1999 and local electrical codes. Electrical installation should be performed by a qualified licensed electrician.
3. **WARNING:** To reduce the risk of fire or electric shock, do not use this fan with any solid-state fan speed control device.
4. **WARNING:** This ceiling fan is for commercial or industrial use only.
5. The outlet box and support structure must be securely mounted and capable of reliably supporting a minimum of 35 pounds. Use only UL Listed outlet boxes marked “FOR FAN SUPPORT.”
6. The fan must be mounted with a **minimum of 10 feet clearance** from the trailing edge of the blades to the floor.
7. Avoid placing objects in path of the blades.
8. To avoid personal injury or damage to the fan and other items, be cautious when working around or cleaning the fan.
9. Do not use water or detergents when cleaning the fan or fan blades. A dry dust cloth or lightly dampened cloth will be suitable for most cleaning.
10. After making electrical connections, spliced conductors should be turned upward and pushed carefully up into outlet box. The wires should be spread apart with the grounded conductor and the equipment-grounding conductor on one side of the outlet box.
11. This fan is not light kit adaptable.

### WARNING

TO REDUCE THE RISK OF FIRE, ELECTRIC SHOCK OR PERSONAL INJURY, MOUNT FAN TO OUTLET BOX MARKED ACCEPTABLE FOR FAN SUPPORT WITH THE SCREWS PROVIDED WITH THE OUTLET BOX. MOST OUTLET BOXES COMMONLY USED FOR THE SUPPORT OF LIGHTING FIXTURES ARE NOT ACCEPTABLE FOR FAN SUPPORT AND MAY NEED TO BE REPLACED. CONSULT A QUALIFIED ELECTRICIAN IF IN DOUBT.

### WARNING

TO REDUCE THE RISK OF PERSONAL INJURY, DO NOT BEND THE BLADE BRACKETS (ALSO REFERRED TO AS “FLANGES”) DURING ASSEMBLY OR AFTER INSTALLATION. DO NOT INSERT OBJECTS IN THE PATH OF THE BLADES.

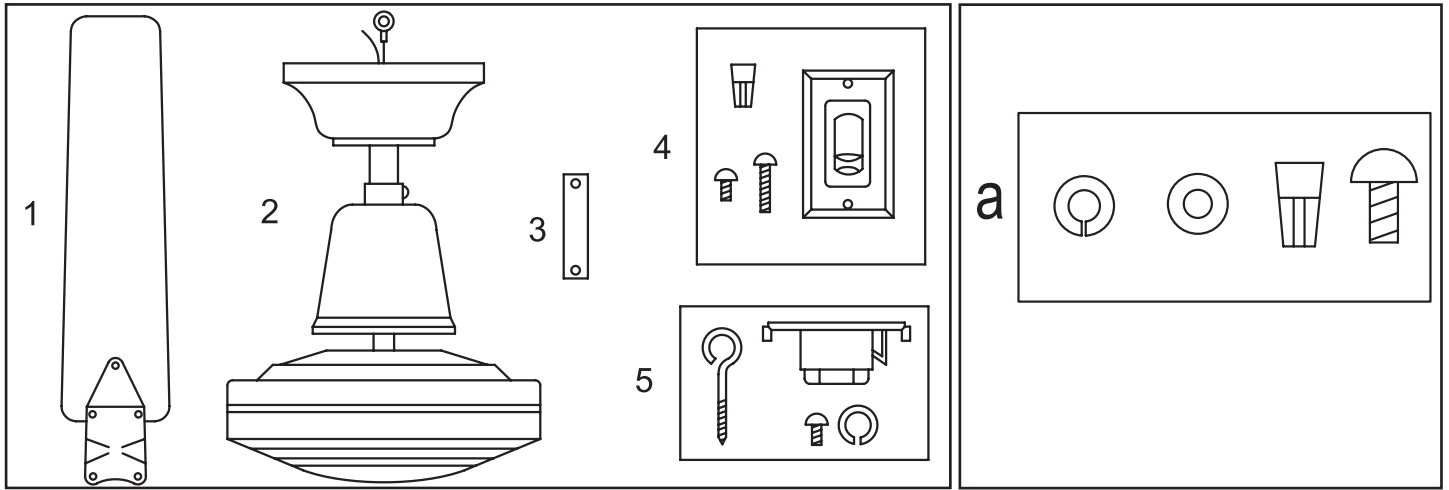
### WARNING

TO REDUCE THE RISK OF SHOCK, THIS FAN MUST BE INSTALLED WITH A WALL-CONTROL/SWITCH.

### WARNING

TO REDUCE THE RISK OF FIRE, ELECTRIC SHOCK OR PERSONAL INJURY, WIRE ONLY A SINGLE WALL-CONTROL PANEL/SWITCH AND CEILING FAN UNIT TOGETHER. WIRING TWO OR MORE CEILING FANS TO ANY WALL-CONTROL PANEL/SWITCH MAY CAUSE THE CIRCUITRY TO FAIL BY OVERHEATING. PLEASE DO NOT ATTEMPT TO DEFEAT THIS FEATURE OF THE CEILING FAN SYSTEM AS DOING SO WILL VOID THE WARRANTY, BOTH EXPLICIT AND IMPLICIT STIPULATIONS THEREOF.

*Safety Rules 1.*



Unpack your fan and check the contents. You should have the following items:

1. Blades with blade arms pre-attached (3)
2. Fan assembly with downrod, coupler cover and canopy pre-attached
3. Extra 18" downrod
4. 4-speed wall control assembly - to be used with only one ceiling fan
5. Mounting plate assembly

- a. Electrical hardware  
(3 plastic wire connectors, 6 screws, 6 lockwashers, 6 flat washers)

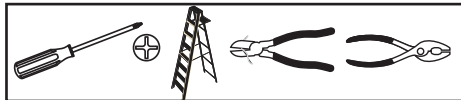
NOTE: A REVERSING SWITCH IS FIXED WITH THE COUPLER.

IMPORTANT: THIS PRODUCT AND/OR COMPONENTS ARE COVERED BY ONE OR MORE OF THE FOLLOWING U.S. PATENTS: 5,947,436; 5,988,580; 5,971,573; 6,010,306; 6,039,541; 6,046,416 AND OTHER PATENTS PENDING.

## 2. Unpacking Your Fan

## Tools Required

Phillips screw driver, straight slot screw driver, adjustable wrench, step ladder, and wire cutters.



## Mounting Options

If there isn't an existing mounting box, then read the following instructions. **Disconnect the power by removing fuses or turning off circuit breakers.**

Secure the outlet box directly to the building structure. Use appropriate fasteners and building materials. The outlet box and its support must be able to fully support the moving weight of the fan (at least 35 lbs.) **Do not use plastic outlet boxes.**

### WARNING

TO REDUCE THE RISK OF FIRE, ELECTRIC SHOCK OR PERSONAL INJURY, MOUNT FAN ONLY TO AN OUTLET BOX MARKED ACCEPTABLE FOR FAN SUPPORT AND USE THE MOUNTING SCREWS PROVIDED WITH THE OUTLET BOX. OUTLET BOXES COMMONLY USED FOR THE SUPPORT OF LIGHTING FIXTURES MAY NOT BE ACCEPTABLE FOR FAN SUPPORT AND MAY NEED TO BE REPLACED. CONSULT A QUALIFIED ELECTRICIAN IF IN DOUBT.

Figures 1, 2, and 3 are examples of different ways to mount the outlet box.

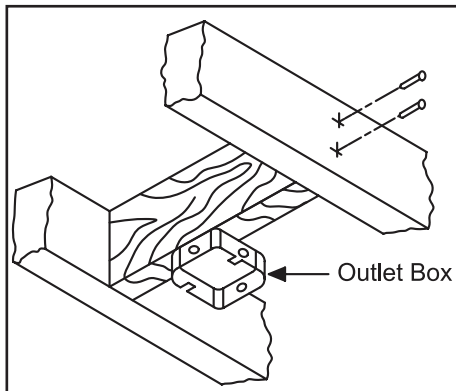


Figure 1

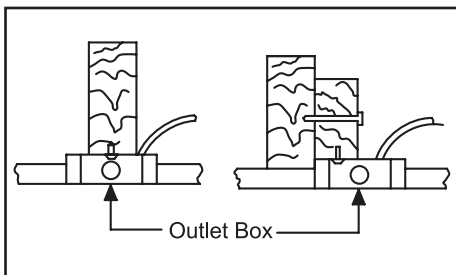


Figure 2

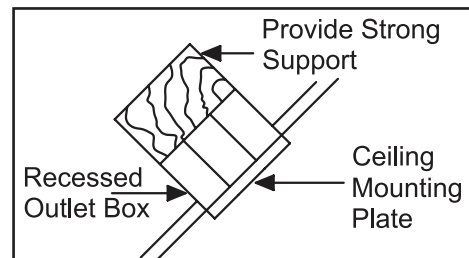


Figure 3

Note: You may need a longer downrod to maintain proper blade clearance when installing on a steep, sloped ceiling. **The maximum angle allowable is 30°. If the canopy touches downrod, remove the decorative canopy bottom cover and turn the canopy 180° before attaching the canopy to the mounting plate.**

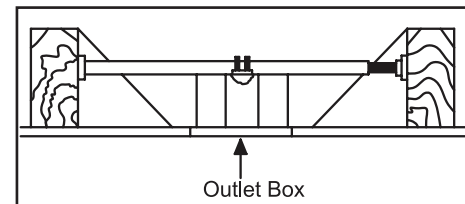


Figure 4

To hang your fan where there is an existing fixture but no ceiling joist, you may need an installation hanger bar as shown in Figure 4 (available at your Hampton Bay retailer).

## Installing Your Fan 3.

# Hanging the Fan

**REMEMBER** to turn off the power. Follow the steps below to hang your fan properly.

**NOTE:** The distance from the ceiling to the bottom of the fan blades will be approximately 14 inches for the 6 inch downrod.

**NOTE:** An extra 18" downrod is included that will increase this distance to 26 inches. Please see next page for steps on changing the downrod prior to installation.

Take the fan assembly out of the box. Note that the downrod, coupler cover and canopy are pre-assembled at the factory.

# Installing Fan to the Outlet Box

## WARNING

TO REDUCE THE RISK OF FIRE, ELECTRIC SHOCK OR PERSONAL INJURY, MOUNT FAN ONLY TO AN OUTLET BOX MARKED ACCEPTABLE FOR FAN SUPPORT AND USE THE MOUNTING SCREWS PROVIDED WITH THE OUTLET BOX.

1. Pass the 120-volt supply wires through the center hole in the ceiling mounting plate as shown in Figure 5.

2. Install the ceiling mounting plate on the outlet box, by sliding the mounting plate over the two screws provided with the outlet box (Figure 5). When using close-to-ceiling mounting, it is important that the mounting plate be level. If necessary, use leveling washers (not included) between the mounting plate and the outlet box. Note that the flat side of the mounting plate is toward the outlet box (Figure 5).
3. Securely tighten the two mounting screws.
4. Carefully lift the assembly up to the ceiling mounting plate. If using close-to-ceiling mounting, hang the fan on the hook provided by utilizing one of the holes at the outer rim of the ceiling canopy (Figure 6). Seat the hanger ball in the mounting plate socket. Make sure the tab on the mounting plate socket is properly seated in the groove in the hanger ball (Figure 6).

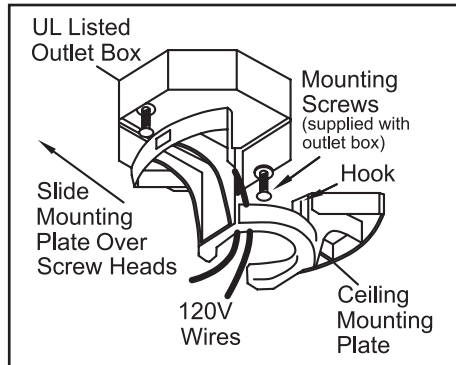


Figure 5

## CAUTION

WHEN MOUNTING THE FAN ON A SLOPED CEILING, THE STANDARD BALL/DOWNROD MOUNTING METHOD MUST BE USED. MAKE SURE THE MOUNTING PLATE SLOTS ARE ON THE LOWER SIDE BY SLIDING THE MOUNTING PLATE FROM THE TOP DOWN.

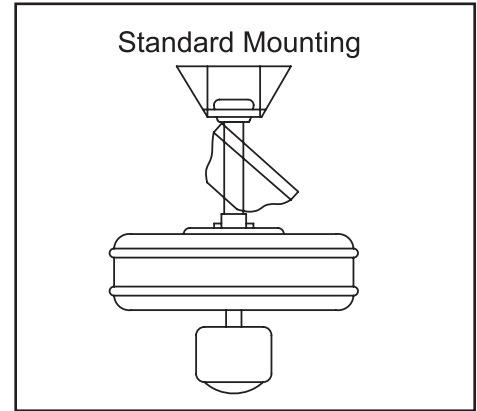


Figure 6

## WARNING

THE HOOK AS SHOWN IN FIGURE 6 IS ONLY TO BALANCE FAN WHILE ATTACHING WIRING. FAILURE TO HANG AS SHOWN IN FIGURE 6 MAY RESULT IN HOOK BREAKING CAUSING THE FAN TO FALL. HOOK MUST PASS MUST PASS FROM INSIDE TO OUTSIDE OF CANOPY.

## WARNING

WHEN USING THE STANDARD BALL/DOWNROD MOUNTING, THE TAB IN THE RING AT THE BOTTOM OF THE MOUNTING PLATE MUST REST IN THE GROOVE OF THE HANGER BALL. FAILURE TO PROPERLY SEAT THE TAB IN THE GROOVE COULD CAUSE DAMAGE TO WIRING.

## Changing the Downrod (Optional)

Please see the following steps on changing the downrod prior to installation.

1. Loosen the hanger ball by removing the set screw at the top of the downrod which holds the hanger ball to the downrod, slide the hanger ball down the downrod and remove the support pin.
2. Unscrew the green groundwire from the downrod. Release the canopy from the downrod.
3. Remove the coupler cover from the downrod by loosening the screw which holds coupler cover to the downrod.
4. Remove the 6" downrod from the fan motor by pulling out the split pin and removing the nut, spring washer, flat washer and bolt from the coupler.
5. Put the 18" downrod in the place where the 6" downrod was.
6. Insert the bolt through the coupler and downrod holes. Replace flat washer and spring washer. Screw the hexagonal nut onto the bolt. Secure the bolt by inserting the split pin and bending the ends to prevent it from

falling out of the holes.

7. Secure the coupler cover and downrod by tightening the screw on the coupler cover.
8. Slide the canopy and hanger ball through the downrod and screw the green groundwire onto the top of the downrod.
9. Insert the support pin in the holes at the top of the 18" downrod. Make sure the support pin is properly seated in the grooves in top of the hanger ball.
10. Replace the set screw which holds hanger ball to the downrod and tighten it firmly.

## Connecting the Safety Cable

1. Turn the J wood screw into the ceiling.
2. Place the looped end of the safety cable onto the hook loop of the wood screw as shown in Figure 7 and then close the hook loop completely, or connect the safety cable directly to the outer joist or hanging structure.

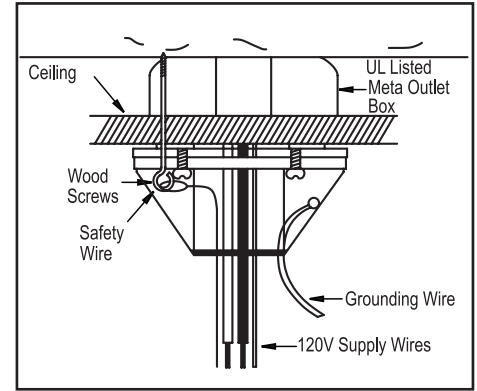


Figure 7

## Making the Electrical Connections

**REMEMBER** to disconnect the power. If you feel you do not have enough electrical wiring knowledge or experience, have your fan installed by a licensed electrician.

Follow the steps below to connect the fan to your household wiring. Use the wire connecting nuts supplied with your fan. Secure the connectors with electrical tape. Make sure there are no loose strands or connections.

**Step 1** Connect the fan supply (black) wire to the black wire from the wall control as shown in Figure 8.

**Step 2** Connect the neutral fan (white) wire to the white neutral household wire.

**Step 3** Connect the two green fan ground wires, located on the downrod and mounting bracket, to the household ground wire.

**Step 4** After connecting the wires, spread them apart so that the green and white wires are on one side of the outlet box and the black wire is on the other side.

**Step 5** Turn the wire connecting nuts upward and push the wiring into the outlet box.

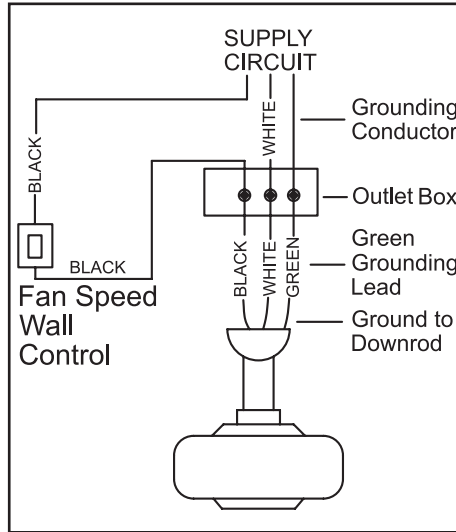


Figure 8

## WARNING

EACH WIRE NUT (WIRE CONNECTOR) SUPPLIED WITH THIS FAN IS DESIGNED TO ACCEPT UP TO ONE 12 GAUGE HOUSE WIRE AND TWO WIRES FROM THE FAN. IF YOU HAVE LARGER THAN 12 GAUGE HOUSE WIRING OR MORE THAN ONE HOUSE WIRE TO CONNECT TO THE FAN WIRING, CONSULT AN ELECTRICIAN FOR THE PROPER SIZE WIRE NUTS TO USE.

## WARNING

TO REDUCE THE RISK OF FIRE, ELECTRIC SHOCK, AND/OR PERSONAL INJURY, WIRE ONLY A SINGLE WALL-CONTROL PANEL/SWITCH AND CEILING FAN UNIT TOGETHER. WIRING TWO OR MORE CEILING FANS TO ANY SINGLE WALL-CONTROL PANEL SWITCH MAY CAUSE THE CIRCUITRY TO FAIL BY OVERHEATING. PLEASE DO NOT ATTEMPT TO DEFEAT THIS FEATURE OF THE CEILING FAN SYSTEM AS DOING SO WILL VOID THE WARRANTY, BOTH EXPLICIT AND IMPLICIT STIPULATIONS THEREOF.

## WARNING

LOCKING SLOTS OF CEILING CANOPY ARE PROVIDED ONLY AS AN AID TO MOUNTING. DO NOT LEAVE FAN ASSEMBLY UNATTENDED UNTIL ALL FOUR CANOPY SCREWS ARE ENGAGED AND FIRMLY TIGHTENED.

## Attaching the Fan Blades

**NOTE:** The blade and blade arms are pre-assembled together at the factory. The blades are featured with new technology for higher efficiency. The blades are not reversible.

1. Position the blade assembly on the motor such that the mounting screw aligns with the threaded hole. Turn the screw, spring washer and flat washer into the hole but do not completely tighten. Make sure the second hole in the blade assembly aligns with a hole in the motor.
2. Install a second screw, spring washer and flat washer in the blade assembly in the same manner.
3. Install the remaining blade assemblies as per 1 & 2.
4. Tighten all screws.



## Install 4-Speed Wall Control

### 4-speed wall control assembly - to be used with only one ceiling fan.

See the instruction enclosed with the wall control package.

## Operating Your Fan

Turn on the power and check the operation of the fan.

The slide switch controls direction: forward (switch down) or reverse (switch up).

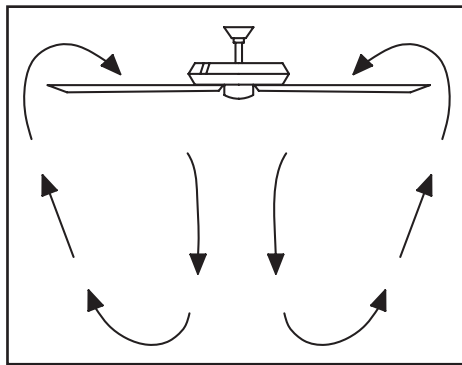


Figure 9

### NOTE

WAIT FOR FAN TO STOP COMPLETELY BEFORE SETTING SLIDE SWITCH TO REVERSE THE DIRECTION OF BLADE ROTATION.

**Warm weather** - (Forward) A downward air flow creates a cooling effect (Figure 9). This allows you to set your air on a higher setting without affecting your comfort.

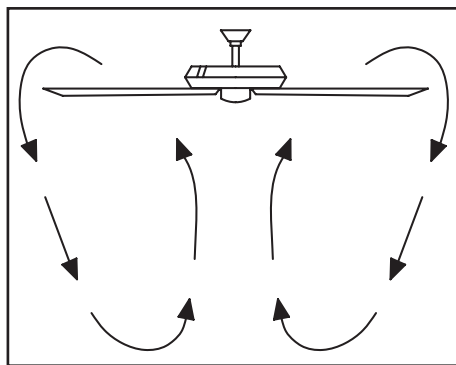


Figure 10

**Cool weather** - (Reverse) An upward airflow moves warm air off the ceiling (Figure 10). This allows you to set your heating unit on a lower setting without affecting your comfort.

## Operating your fan Efficiently:

- To maximize airflow efficiency, the fan must be mounted with a minimum of 10 feet from the trailing edge of the blades to the floor.
- Choose a fan with high airflow efficiency (CFM/watt).
- Use Energy Star rated ceiling fans for best energy saving
- Remember to switch off the fan when you leave the room.

## Care of Your Fan

Here are some suggestions to help you maintain your fan.

1. Because of the fan's natural movement, some connections may become loose. **Check the support connections, brackets, and blade attachments twice a year.** Make sure they are secure. **(It is not necessary to remove fan from ceiling.)**
2. Clean your fan periodically to help maintain its new appearance over the years. Do not use water when cleaning, this could damage the motor, or the wood or possibly cause an electrical shock. Use only a soft brush or lint-free cloth to avoid scratching the finish. The plating is sealed with a lacquer to minimize discoloration or tarnishing. **Warning - Make sure the power is off before cleaning your fan.**
3. You apply a light coat of furniture polish to the wood for additional protection and enhanced beauty. Cover small scratches with a light application of shoe polish.
4. **There is no need to oil your fan.** The motor has permanently lubricated sealed ball bearings.

## Troubleshooting

### Problem

### Solution

Fan will not start

1. Check main and branch circuit fuses or breakers
2. Check line wire connections to the fan and switch wire connections in the switch housing. **CAUTION: Make sure main power is off.**

Fan sounds noisy

1. Make sure all motor housing screws are snug.
2. Make sure the screws that attach the fan blade bracket to the motor hub are tight.
3. Make sure wire nut connections are not rattling against each other or the interior wall of the switch housing. **CAUTION: Make sure power is off.**
4. Allow a 24-hour "breaking in" period. Most noises associated with a new fan disappear during this time.
5. Make sure the canopy is a short distance from the ceiling. It should not touch the ceiling.
6. Make sure your outlet box is secure and rubber isolator pads were used between the mounting bracket and outlet box.

### WARNING

MAKE SURE THE POWER IS OFF AT THE ELECTRICAL PANEL BOX BEFORE YOU ATTEMPT TO MAKE ANY REPAIRS. REFER TO THE SECTION, "MAKING ELECTRICAL CONNECTIONS."

| FAN SIZE | SPEED  | VOLTS | AMPS | POWER USE (watts) | RPM | AIRFLOW (CFM)* | AIRFLOW EFFICIENCY (CFM/watt) | N.W.      | G.W.      | C.F. |
|----------|--------|-------|------|-------------------|-----|----------------|-------------------------------|-----------|-----------|------|
| 60"      | Low    | 120   | 0.42 | 18                | 95  | 2970           | 165                           | 18.59 LBS | 21.01 LBS | 1.91 |
|          | Med    | 120   | 0.60 | 36                | 140 | 4860           | 135                           |           |           |      |
|          | High 1 | 120   | 0.89 | 81                | 218 | 8100           | 100                           |           |           |      |
|          | High 2 | 120   | 0.97 | 107               | 258 | 9630           | 90                            |           |           |      |

Measured according to the Energy STAR® approved Solid State test method.

Distributed by Home Depot U.S.A., Inc.  
2455 Paces Ferry Rd. N.W. Atlanta, Georgia 30339

Vendor Number: 11688



*Specifications 9.*

# *Hampton Bay Lifetime Limited Warranty*

## *Lifetime Warranty on Motor*

Hampton Bay warrants the fan motor to be free from defects in workmanship and material present at time of shipment from the factory for a lifetime after the date of purchase by the original purchaser. Hampton Bay also warrants that all other fan parts, excluding any glass or acrylic blades, to be free from defects in workmanship and material at the time of shipment from the factory for a period of two years after the date of purchase by the original purchaser. We agree to correct such defects without charge or at our option replace with a comparable or superior model if the product is returned to Hampton Bay. To obtain warranty service, you must present a copy of the receipt as proof of purchase. All costs of removing and reinstalling the product are your responsibility. Damage to any part such as by accident or misuse or improper installation or by affixing any accessories, is not covered by this warranty. Because of varying climatic conditions, this warranty does not cover any changes in plated finishes, including rusting, pitting, corroding, tarnishing or peeling. Brass finishes of this type give their longest useful life when protected from varying weather conditions. A certain amount of “wobble” is normal and should not be considered a defect. Servicing performed by unauthorized persons shall render the warranty invalid. There is no other express warranty. Hampton Bay hereby disclaims any and all warranties, including but not limited to, those of merchantability and fitness for a particular purpose to the extent permitted by law. The duration of any implied warranty which cannot be disclaimed is limited to the time period as specified in the express warranty. Some states do not allow limitation on how long an implied warranty lasts, so the above limitation may not apply to you. Hampton Bay shall not be liable for incidental, consequential, or special damages arising out of or in connection with product use or performance except as may otherwise be accorded by law. Some states do not allow the exclusion of incidental or consequential damages, so the above exclusion or limitation may not apply to you. This warranty gives specific legal rights, and you may also have other rights which vary from state to state. This warranty supersedes all prior warranties. Shipping costs for any return of product as part of a claim on the warranty must be paid by the customer.

### IMPORTANT NOTE:

To ensure warranty service, if ever necessary, please register your fan at:  
[gpwarranty.com](http://gpwarranty.com)

You must present a copy of the original purchase receipt to obtain warranty service.

G.P. WARRANTY SERVICE CENTER, INC.  
WARRANTY SECTION  
1951 N.W. 22nd STREET  
FORT LAUDERDALE, FLORIDA 33311

Attach receipt here for  
easy location.