

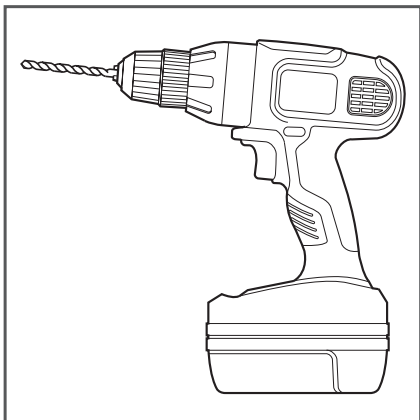


FIREPLACE MANTEL

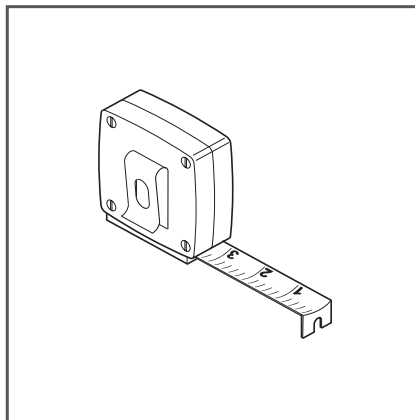
ASSEMBLY INSTRUCTIONS



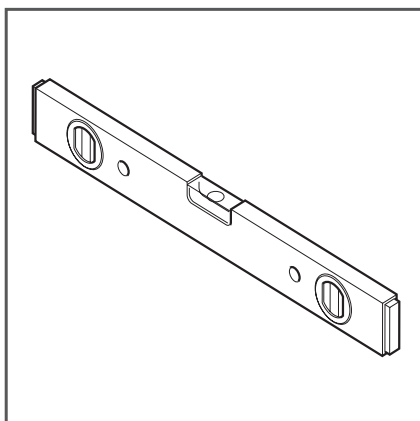
FIREPLACE MANTEL Recommended Tools



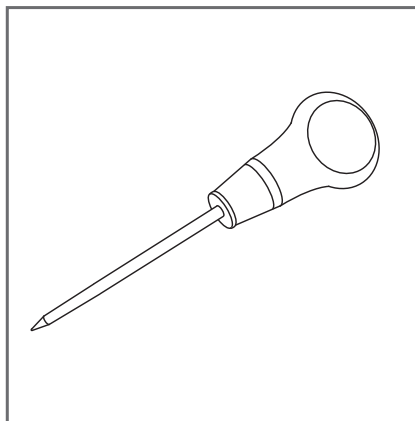
Drill with 1/8", Drill Bit, and
Phillips Bit



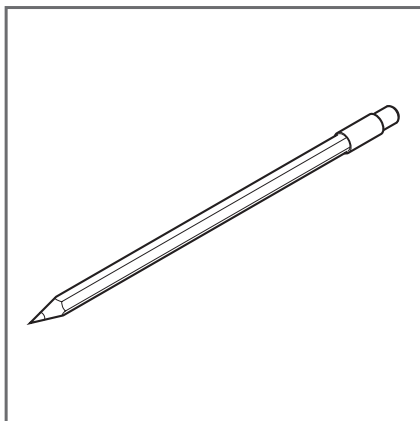
Tape Measure



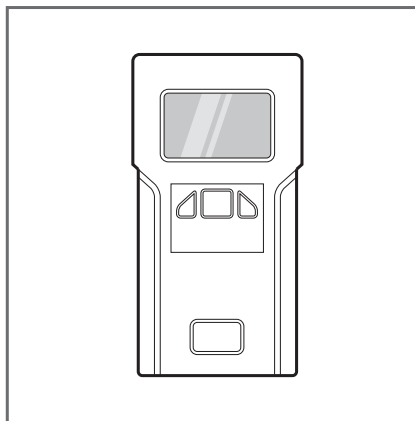
Level



Awl



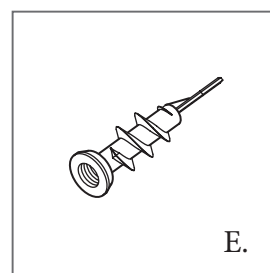
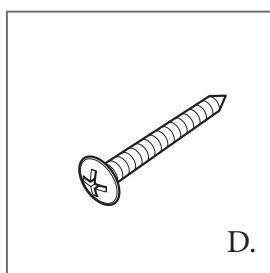
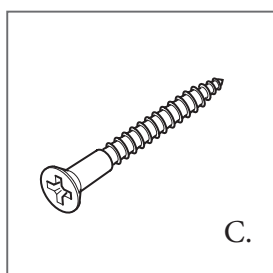
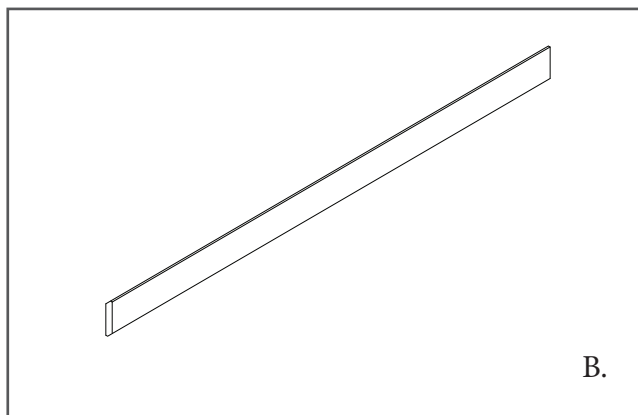
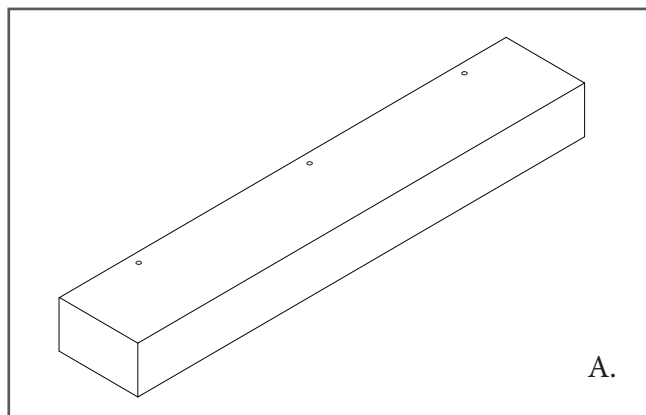
Pencil



Stud Finder

**USE TEAMWORK - WE RECOMMEND
TWO PEOPLE FOR THIS BUILD.**

FIREPLACE MANTEL Parts



PARTS
A. Mantel
B. Cleat
C. Phillips Head Drywall Screw
D. Phillips Head Anchor Screw
E. Anchor

NOTE:

The hardware provided for the mantel installation is intended for drywall installations only. For recommendations on installations involving brick or stone, see the end of this installation guide.

FIREPLACE MANTEL Assembly Instructions

NOTE:
Use wall studs wherever possible for the mantel installation for added strength and stability.

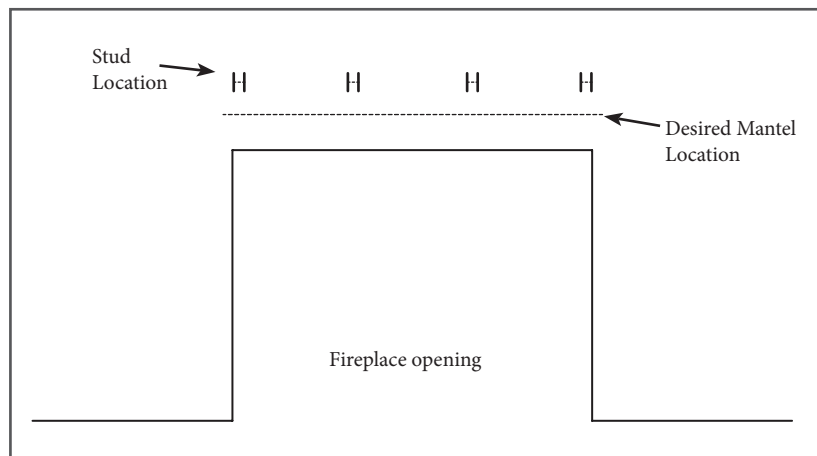


Figure 1

1. Decide at what height the mantel is to be installed. Using a level, mark the location with a pencil.

2. Using a stud finder, locate the studs along the area the mantel will be installed. Mark stud locations with a pencil (Figure 1).

3. Measure four evenly spaced areas along the line made in step 1, utilizing studs where possible.

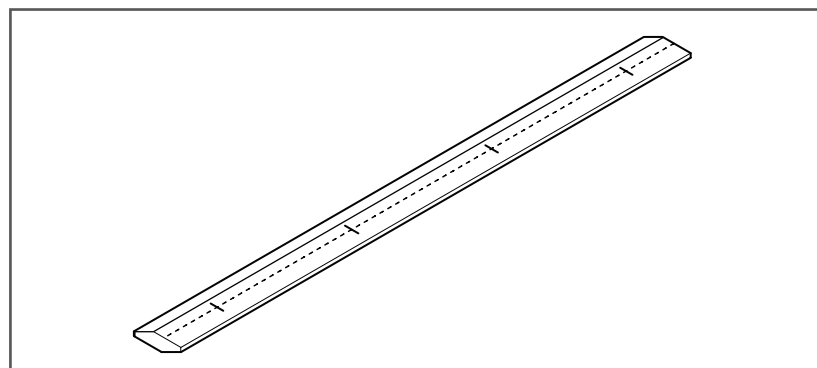


Figure 2

4. Lay the cleat (B) on a smooth, flat surface. Make a line through the center of the cleat. Mark the line with the measurements made in step 3 (Figure 2).

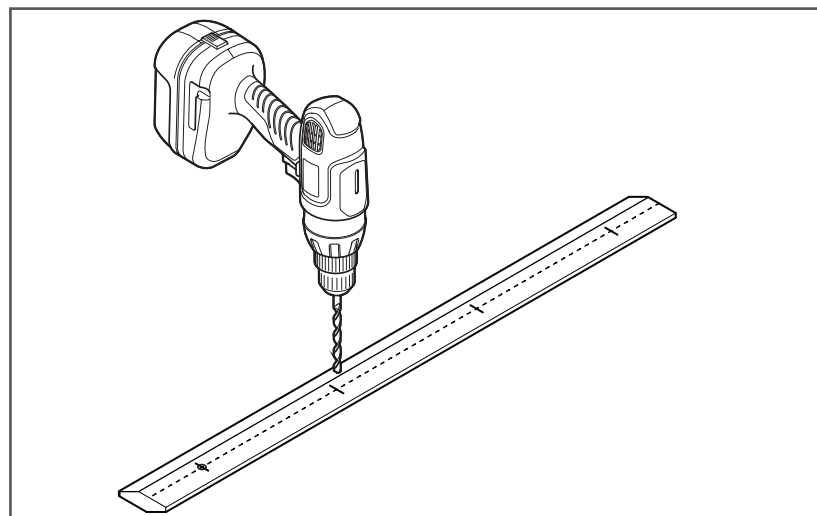


Figure 3

5. Drill pilot holes through measurement lines in the cleat using an 1/8" drill bit (Figure 3).

FIREPLACE MANTEL Assembly Instructions

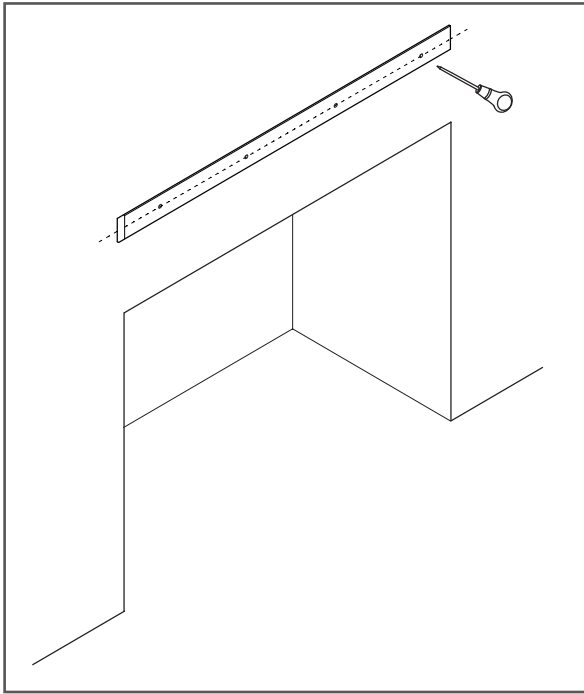


Figure 4

6. Place the cleat on the line made in step 1 (Figure 4).

SUGGESTION:

Use double stick tape on the back of the cleat to help hold the cleat in place while completing step 7.

7. Mark the wall with an awl through the pilot holes in the cleat. Set the cleat aside (Figure 4).

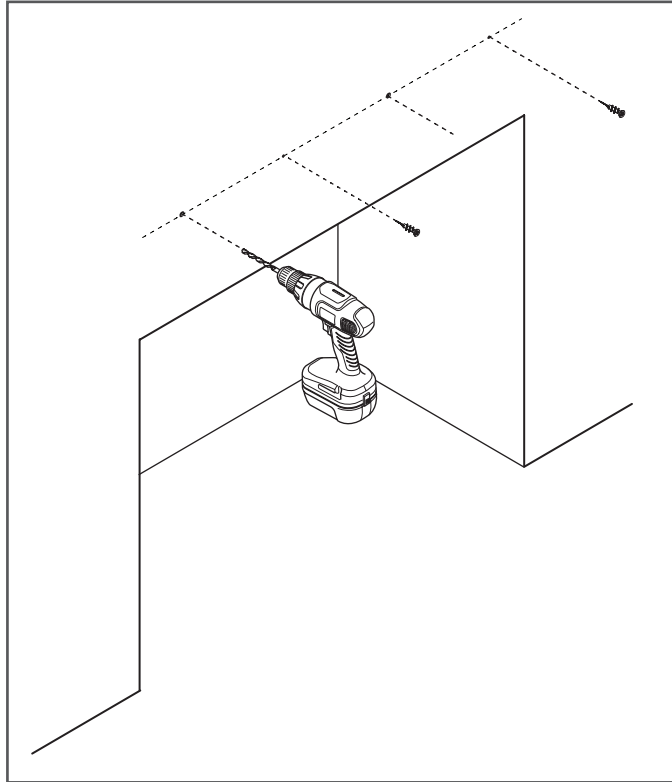


Figure 5

8. Install drywall anchors only where mantel installation does not intersect with a wall stud (Figure 5).

NOTE:

Do not install anchors in wall studs.

9. Drill an 1/8" hole where installation intersects with a wall stud (Figure 5).

FIREPLACE MANTEL Assembly Instructions

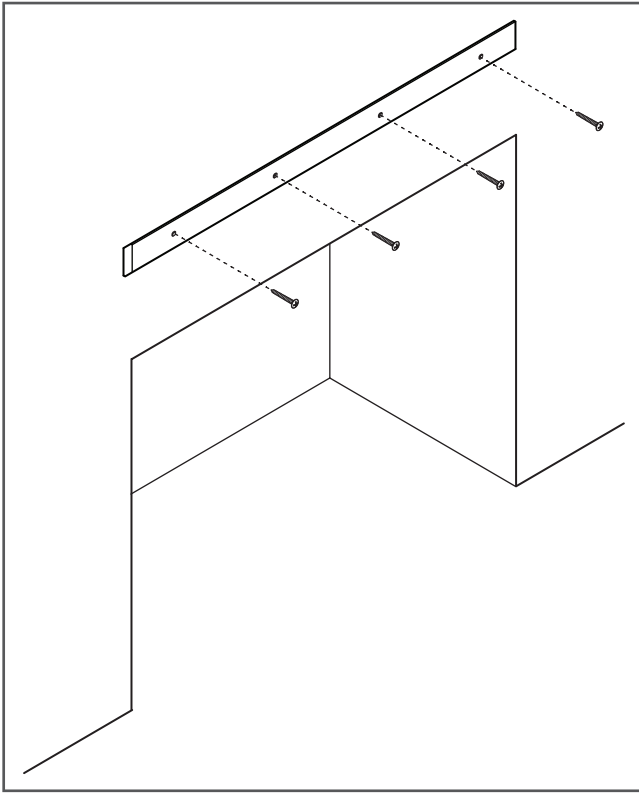


Figure 6

11. Attach the cleat to the wall using anchors (D), where applicable, and screws (Figure 6).

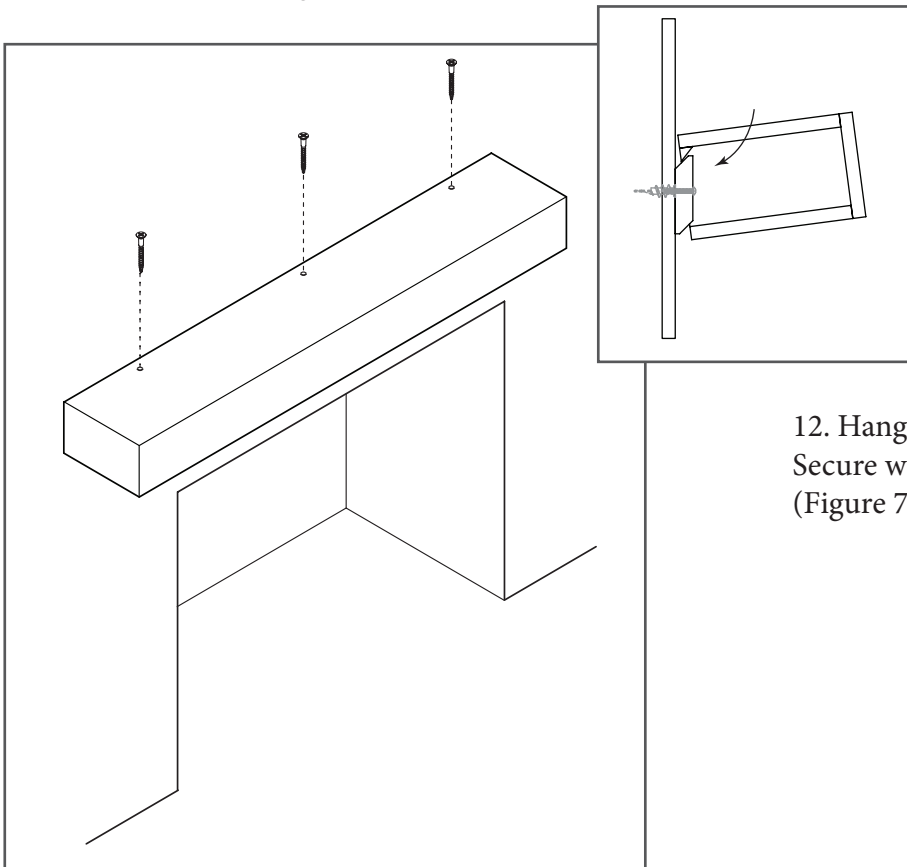
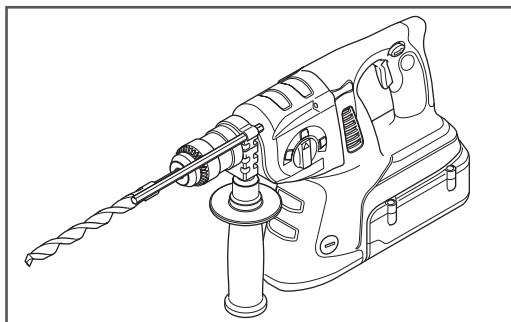


Figure 7

12. Hang the mantel (A) on the cleat. Secure with three drywall screws (C) (Figure 7).

FIREPLACE MANTEL Installing on Brick or Stone

Installation on a brick or stone chimney will require additional tools and hardware. For example, drill bits for drilling into stone and mortar are different from standard drill bits, and you may need a heavy-duty drill:



Consult with a local hardware store for the correct hardware and equipment to use.

For brick chimneys, drilling is usually done in the mortar between bricks. A lead insert is installed for the screw that will hold the cleat in place. Once the cleat has been installed, the rest of the installation is the same as the installation into drywall.

For stone chimneys, drilling may be done in the stone and does not require a lead insert.

WE LOVE WHAT YOU ARE DOING WITH THE PLACE

**CONGRATULATIONS ON YOUR DECISION TO BRING HOME
AN AMERICAN MADE PRODUCT OF THE HIGHEST QUALITY.
WE HOPE YOUR FIREPLACE MANTEL BRINGS ART AND FUNCTION
INTO YOUR LIFE.**

**DESIGNED AND CRAFTED
ENTIRELY IN THE**

U.S.A.



**DON'T BE A STRANGER. FOLLOW US
ON SOCIAL MEDIA.**



support@rusticahardware.com