



NEW CONSTRUCTION WINDOWS

NAIL FIN INSTALLATION



! IMPORTANT! READ ALL INSTRUCTIONS BEFORE BEGINNING INSTALLATION.

Follow your local building codes, customs and building practices for additional installation requirements. The manufacturer will accept no responsibility for air or water leakage above, under, or around the window unit. These instructions are general in nature; for detailed installation instructions by product, contact **Ply Gem Windows at 1-888-9PLYGEM.**

- (Required)** The Rough Opening should be level, plumb, and square, and should be sized according to **Figure 1.**
- (Recommended)** If a weather resistant barrier is used, follow the barrier manufacturer's recommendations for treatment of window openings.
- (Recommended)** If pan flashing is used, it should be installed at this time. Follow the pan flashing manufacturer's recommendations (or ASTM 2112 standards), making sure that the product provides an adequate sill dam height to the interior.
- (Required)** Apply a generous (at least 3/8" bead), continuous bead of exterior-grade sealant to ensure an adequate seal between the back of the nailing fin and the exterior surface of the rough opening (reference Figure 3). The bead should run along the approximate location of where the nails/screws will go through the nailfin. **! If using pan flashing, do not seal the lower sill nailing fin so as to provide adequate drainage.**

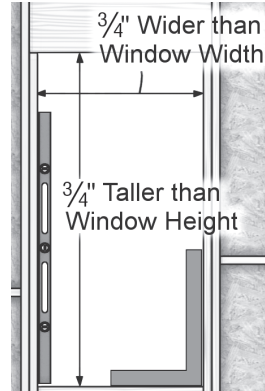


Figure 1

- (Required)** With the window closed and locked, place it in the rough opening and center it from side to side and top to bottom.
- (Required)** With a single approved fastener (see Chart A), fasten the window through the nailfin near the top center of the window.
- (Required)** Square the window side to side (shimming if necessary - see Figure 2) to maintain square and plumb jambs. Make sure the window sill and head are level and not crowned and the jambs are not bowed. If your window is a horizontal sliding window, make sure each meeting rail is supported. **! NOTE:** Over-shimming can cause bowing and prevent proper window operation.
- (Required)** After checking the operation of the window, complete the fastening by installing fasteners through the nailing fin according to **Chart A.**
- (Recommended)** Following the flashing manufacturers' recommendations, apply flashing to the nail fins and surrounding wall surface starting with the bottom, then the sides, and finally the top, creating a shingle effect (reference **Figure 4**). **! NOTE:** Where pan flashing is present, do not use flashing that will impede proper drainage of the pan on the bottom.

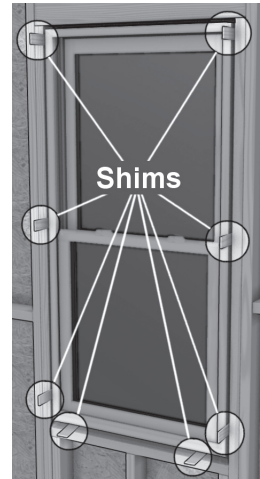
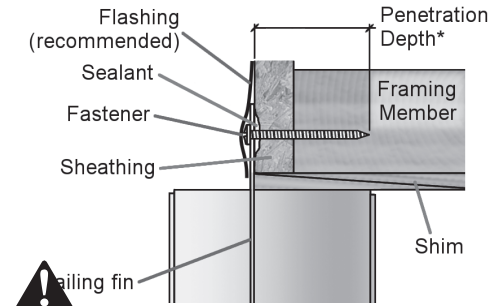


Figure 2

! PRECAUTIONARY NOTES !

- For trim and siding, allow 1/8"-1/4" gap all the way around the window frame to allow for expansion. If exterior is brick or masonry, leave a 3/8" gap between the bottom sill of the window and the masonry to avoid "brick binding".



! Nailing fin
Consult local building codes to verify that sheathing is considered a framing member.

Figure 3 – General Installation

- Exterior wall systems like stucco and EIFS must be designed to manage moisture around the window opening.
- Follow the siding manufacturer's requirements for sealing between the siding and window frames.
- Any low-expansion foam used should conform to AAMA 812-04 (see manufacturer's requirements), but any binding or damage of any type caused by the insulation will not be covered under warranty.
- Do not block or seal weep holes.
- Do not fasten through the sill track.

! For specific instructions on how to install units with flange frame configuration consult www.floridabuilding.org and www.plygemwindows.com.

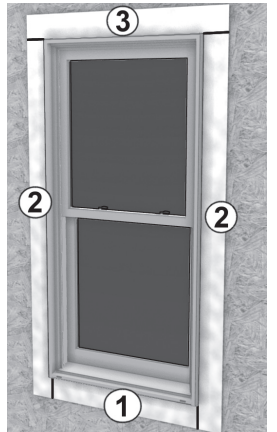


Figure 4

Chart A - Fastener Schedule for New Construction Aluminum

Nailfin Fastener Perimeter Spacing	12"
Fastener Distance from Window Corners	6"
Bldg Framing Penetration	1 1/2" min.
Min. Corrosion-Resistant Nail Size	3/8" Minimum Head diameter
Min. Corrosion-Resistant Screw Size	#8 or Larger Pan Head

Note: Muller units may have additional instructions attached to the unit.

PLACE
NFRG
STICKER
HERE



170097000 REV. A