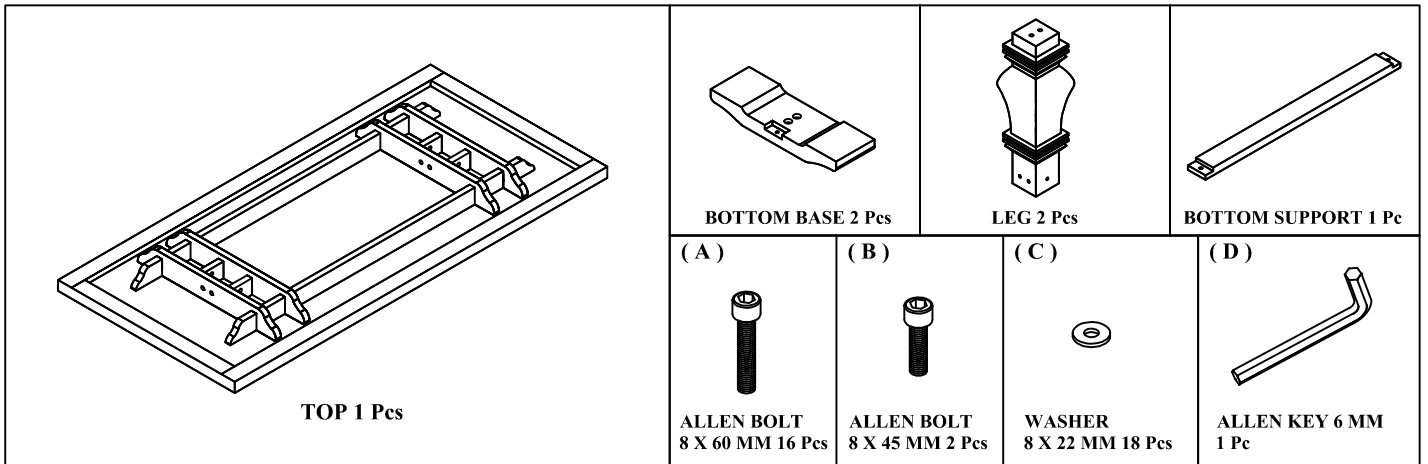


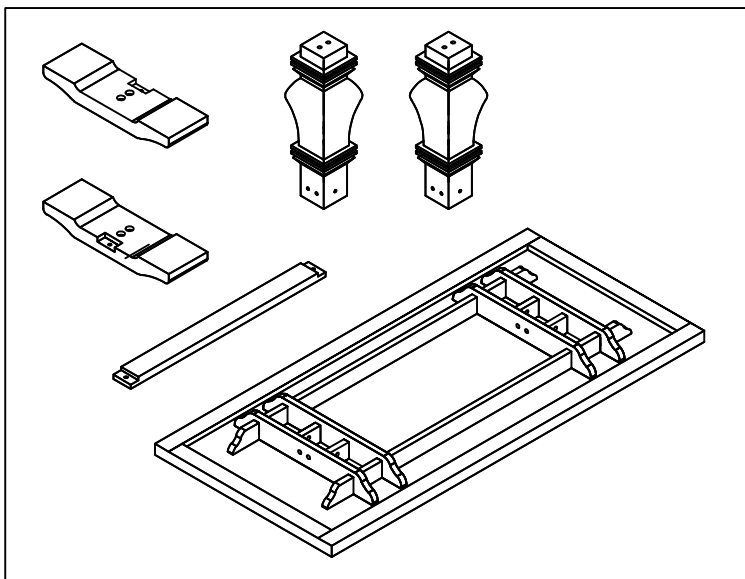
HOME DECORATORS COLLECTION

ASSEMBLY INSTRUCTIONS FOR SKU NO. 94151 ALDRIDGE DINING TABLE



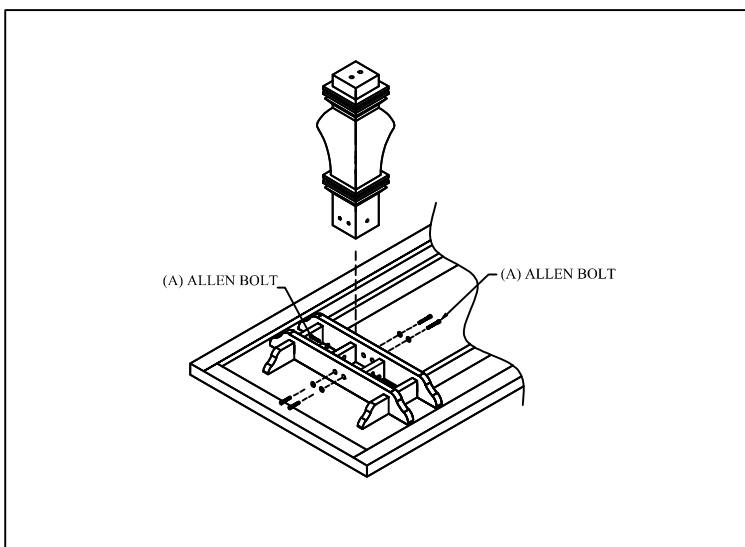
CARE INSTRUCTIONS

1. Hardware may loosen overtime. Periodically check that all connections are tight.
2. Wipe with a soft, dry cloth. To protect finish, avoid the use of chemicals and household cleaners.
3. All hot serving dishes should be placed on a pad.
4. Any liquid spilled onto the furniture should be cleaned up immediately with a damp cloth.



Note : Assembly of this table requires at least 2 adults.

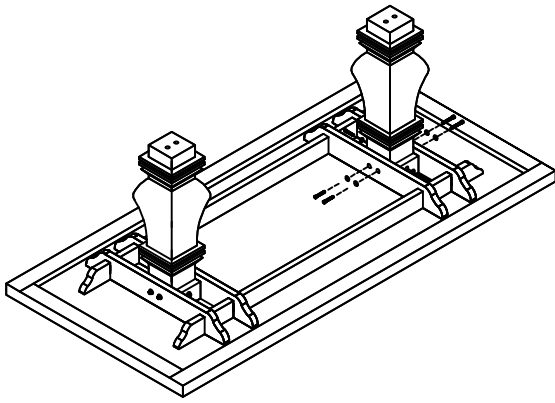
Step -01 Place the table top upside down on a clean padded surface to prevent your top from being scratched or damaged. A blanket or carpet is generally a safe surface.



Step -02 Now take any one leg and insert it into the slot provided in the table top as shown in the image. Now tighten the leg with given allen bolt and washer by allen key.

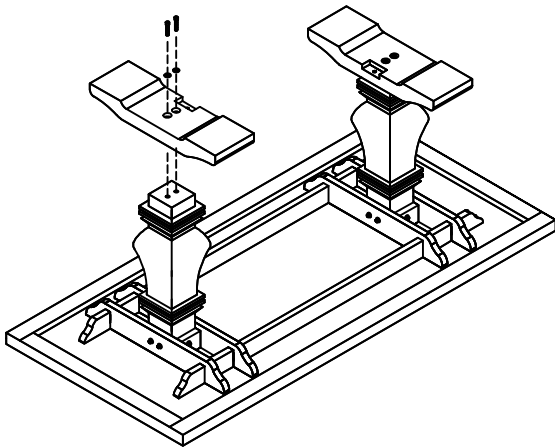
Use 6 (A) Bolts and washers as shown.

Note : Please wait until the table is fully assembled prior to fully tightening bolts.



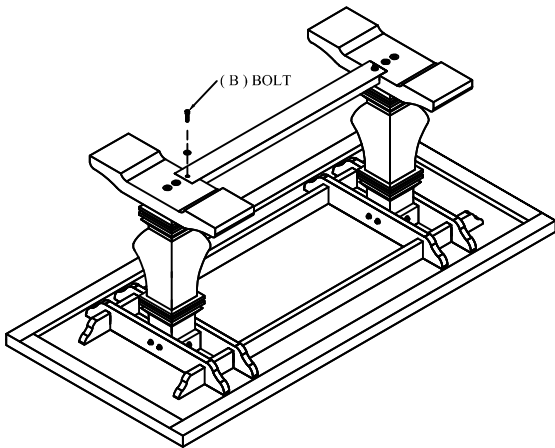
Step -03 Now take second leg and insert it into the slot provided in the table top as shown in the image. Now tighten the leg with given allen bolt and washer by allen key.
Use 6 (A) Bolts and washers as shown.

Note : Please wait until the table is fully assembled prior to fully tightening bolts.



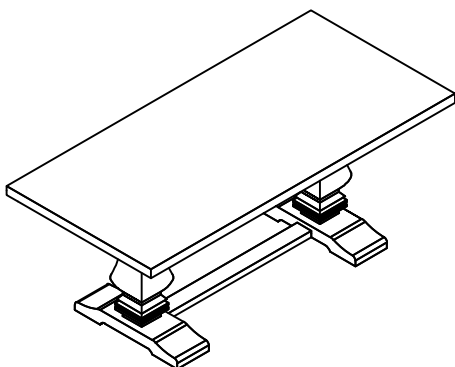
Step -04 Place the base on the leg so the bottom of the leg fits within the slot provided (the cutout on the bottom of the base should face inside). Align the holes of the base with that of the leg and insert allen bolt (A) with washer and tighten with allen key.

Note : Please wait until the table is fully assembled prior to fully tightening bolts.



Step -05 Affix the bottom support with leg base by screwing in the allen bolt (B) with washer by allen key.

Note : Now fully tighten all of the bolts.



Step -06 Carefully stand the table upright. it is now ready for use.