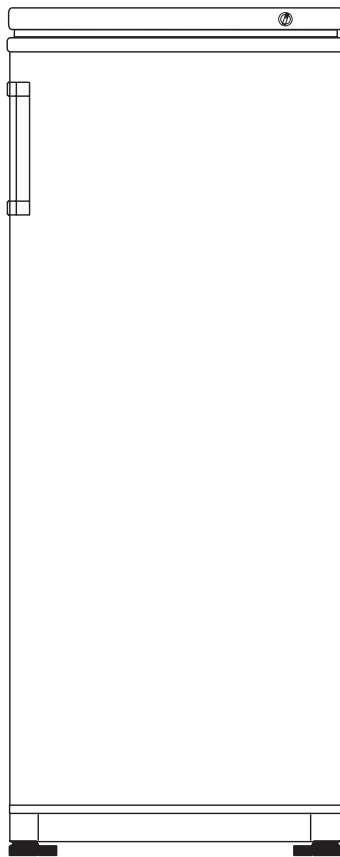




INSTRUCTION MANUAL

MODEL:FRF690



Thank you for buying the Upright Freezer

To use your appliance effectively and safely, please read this instruction book carefully before using the appliance. Retain this manual for future reference.

Guide to this instruction manual

The following Symbols will be found in the text to guide you through the instructions



Safety Instructions



Hints and Tips



Step by step instructions
for operation



Environmental Information

IMPORTANT SAFETY INSTRUCTIONS

These warnings are provided for your safety. Do your best to understand everything in the manual before installing or using this appliance.

Installation

This appliance is heavy. Care should be taken when moving it.

- It is dangerous to alter the specifications or attempt to modify this product in any way.
- The appliance must not stand on the electrical cord. If the electrical cord is damaged, it must be replaced by a qualified electrician.
- Any electrical work required to install this appliance should be carried out by a qualified electrician.
- Parts, which may generate heat such as the condenser grille or compressor, should not be exposed. Whenever possible, the back of the appliance should face against a wall allowing for proper ventilation as specified in the installation instructions.
- The appliance should not be turned on for 2 hours after installation in order to allow the refrigerant to settle.

Child Safety

- Do not allow children to tamper with the controls or play with the appliance.

During Use

- This appliance is designed for household use only, specifically for the storage of perishable food items.
- Frozen food should not be refrozen once it has thawed.
- Do not place carbonated or fizzy drinks in the freezer.
- Popsicles can cause frost/freezer burns if consumed straight from the freezer.
- Do not remove items from the freezer if your hands are damp or wet, as this could

cause skin abrasions or frost and freezer burns.

- Food manufacturers recommended storage times should be adhered to. Refer to relevant instructions.

Maintenance and Cleaning

- Switch off and unplug the appliance before starting any cleaning or maintenance work.
- Do not use sharp instruments to scrape off frost or ice from inside the freezer. (See defrosting instructions).

Servicing

- This product should only be serviced by an authorized technician with genuine factory parts.
- Under no circumstances should you attempt to repair the appliance yourself.
- Repairs carried out by inexperienced persons may cause serious injury and damage to the freezer. Contact your local service center.

Disposing

- When disposing of your appliance, please use an authorized disposal site.
- Remove the plug and ensure that any locks or catches are removed, to prevent young children from being trapped inside.

WARNINGS

- Keep ventilation openings clear of obstruction.
- Do not use mechanical devices or other means to accelerate the defrosting process.
- Do not use electrical appliances inside the freezer.
- If the electrical cord is damaged, it must be replaced by a qualified repair person.
- Be aware that the refrigerant is flammable so use caution during any maintenance on the unit
- Old and damaged freezers should be recycled and disposed by an authorized recycler.
- Improperly discarded appliances can cause environmental damage.
- Young children should be supervised to ensure that they do not play with the freezer.
- Do not damage any of the freezer's circuitry or coils

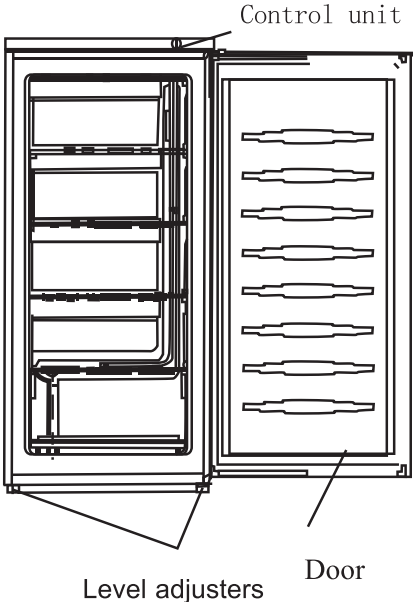


Please read this instruction book carefully before use and retain for future reference.

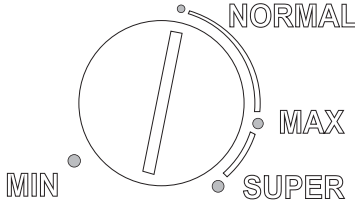
TABLE OF CONTENTS

Important Safety Instructions	2
Description of the Appliance	5
Control Unit	5
Installation Instructions	6
Installation Requirements	6
Ventilation Requirements	6
Leveling	7
Using the Appliance	7
Before Use	8
Thermostat Controls	8
To Start the Appliance	8
The Freezer Compartment	9
Freezing Fresh Food	9
Frozen Food Storage	10
Hints and Tips	10
Normal Operating Sounds	11
Food Storage	11
Energy Saving Advice	11
In the Event of a Power Failure	12
Maintenance and Cleaning	13
Internal Cleaning	13
External Cleaning	13
Defrosting the Freezer	13
When the Appliance is Not in Use	14
Troubleshooting	15
Reversing the Door	16

Description of the Appliance



Control unit



INSTALLATION INSTRUCTIONS

Installation Requirements

To operate this appliance correctly it must not be located where the temperatures will fall below 60.8°F (16°C) or rise above 89.6°F (32°C)

Avoid the following locations: unheated kitchens, unheated basements, greenhouses, garages, and screened in porches.


For correct operation this appliance must be installed in a dry environment out of direct sunlight and away from extreme temperatures from appliances such as ovens or radiators.

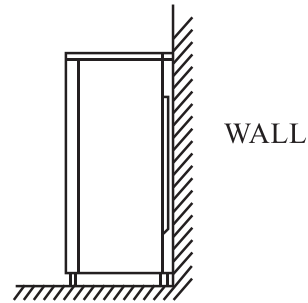
Your appliance will be heavy when loaded with food and must be installed on a sturdy floor.

Ventilation Requirements

Gently push the freezer into place until the top panel rear ventilation grille touches against the wall. When in position a 2 inch clear space above the appliance should be maintained.

If space above the appliance is not available, clearance of 1 inch should be maintained on both sides.

 *Ensure that the appliance does not stand on the electrical cord. Parts that heat up should not be exposed. Whenever possible, the back of the appliance should be close to a wall but leaving the required distance for ventilation.*

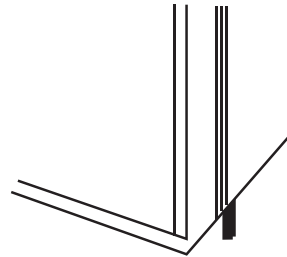



Leveling

The freezer should be level, to eliminate rocking:


Ensure the appliance is upright and both adjusters are in firm contact with the floor so that the cabinet is level.

Adjust the level by screwing out the appropriate level adjuster at the front, (use your fingers or a suitable spanner).



 This appliance is heavy. Care should be taken when moving it.

USING THE APPLIANCE

 This appliance is designed for household use only, specifically for the storage of perishable food items.

This appliance is designed to operate in room temperatures (surrounding air temperature) between 60.8 ° F and 89.6 ° F

If these temperatures are exceeded i.e., colder or warmer, the appliance will not operate correctly. Should the room temperatures be exceeded for long periods, the temperature in the freezer section will rise above -0.04°F and food spoilage

may occur.

Before Use

Remove all packing materials.

Wash the inside of the appliance with lukewarm water and baking soda.

Do not use soap or detergent as the smell may linger.

Thermostat Control

The thermostat control situated in the control panel regulates the temperature of the freezer compartment.

Position “Min” - Cold

Position “Normal” - Colder. (Recommended setting)

Position “Max” – Coldest

Position “Super” -Used to quickly freeze hot foods.

The compressor will work continuously on this setting

The internal temperature will be affected by:

- Room temperature.
- How often the door is opened
- Amount of food in the freezer
- Ventilation space around the freezer

In determining the correct temperature control setting, all these factors have to be considered and some experimentation may be necessary



Do not allow children to tamper with the controls or play with the product.



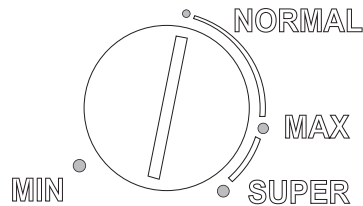
Do not use detergents, abrasive powders or highly perfumed cleaning products, wax polishes or products containing alcohol.

To Start the Appliance

1. Allow the appliance to stand for 2 hours after installation.
2. Plug the freezer into an outlet.
3. Turn the thermostat control to the required setting. A normal setting is usually

suitable for standard operation (see thermostat control).

4. Let the freezer run for approximately 4 hours before placing food inside.



The Freezer Compartment

Your freezer will store frozen food at -0.04°F (-17.8°C) or colder allowing for long term frozen food storage and freezing of fresh food. The temperature is controlled automatically by the thermostat situated in the control panel.

Due to the different installations, usage and room temperatures, adjustments to the temperature settings may be required.

i The best method of determining the correct temperature is by setting an analog freezer thermometer under the frozen food.

The reading must be taken quickly as the thermometer temperature will rise rapidly after removal.

Freezing Fresh Food

Fresh food should be frozen quickly to prevent the formation of ice crystals. The top shelf should be kept clear for freezing fresh food.

Fresh food should be placed on the top shelves clear of obstacles to allow air to circulate around it. Once food is thoroughly frozen it may be shifted down to the lower shelves. The super setting will accelerate the freezing process, but should not be left on for more than 24 hours. No harm will result if you forget to turn down the fast freeze switch after 24 hours, but for reasons of economy, try to remember to turn it down when freezing is complete.

Frozen Food Storage

Prepacked commercially frozen food should be stored in accordance with the manufacturer' instructions and should be put in the freezer as soon as possible after purchase. Your freezer provides for long term storage which generally means up to 3 months but the length of the time can vary and it is important to follow the recommended dates shown on packets of commercially frozen food.



Do not place sealed containers or carbonated liquids such as fizzy drinks into the freezer as it creates pressure on the container which may cause it to explode resulting to damage to the freezer.

Ice cubes should not be consumed immediately after removal from the freezer as it may result in low temperature skin abrasions.

Food manufacturers storage times should be adhered to.

Hints and Tips



Any opened packets of frozen food, should be rewrapped in airtight materials to prevent surface evaporation which causes drying or freezer burn.

Frozen food which is allowed to thaw accidentally should either be used immediately or thrown away. Completely defrosted it can be cooked and then refrozen.



HINTS AND TIPS

Normal Operating Sounds

You may hear faint gurgling or bubbling sounds when the refrigerant is pumped through the coils or tubing.

When the compressor is on, the refrigerant is being pumped through the coils, and you will hear a whirring sound or pulsating noise from the compressor.

A thermostat controls the compressor, and you will hear a faint click when the thermostat cuts in and out.

Food Storage

To obtain the best results from your appliance, neither hot foods nor liquids which may evaporate, should be placed in the freezer compartment.

Do not push food together too much, try to allow air to circulate around each item.

Do not store food uncovered.

Ensure that food placed in the freezer is dated and labeled and used in date order to ensure that food is consumed at its best.

Remove suspect food from your refrigerator.

Energy Saving Advice

Do not install the appliance close to sources of heat, such as an ovens, dishwashers or radiators.

Place the appliance in a cool well ventilated room and make sure that the air openings are not obstructed

- Avoid unnecessary frosting in the cabinet by packing all foods into airtight packages.
- Always allow warm food to cool down to room temperature before storing in freezer.
- Food to be frozen (when cool) should be placed in the refrigerator before being transferred to the freezer.
- Thaw frozen food in the refrigerator. This will ensure safer defrosting of foods and reduce the work of the refrigeration unit.
- Try to avoid keeping the door open for long periods of time. Warm air will enter the cabinet, and cause the unit to have to work harder.
- Ensure there are no obstructions preventing the door from closing properly.
- It is advisable to periodically clean the refrigeration system at the back of the appliance with a duster or vacuum cleaner.

In the Event of a Power Failure

Keep the door closed. If the temperature within your freezer should rise do not refreeze the food without checking its condition.

MAINTENANCE AND CLEANING



Before any maintenance or cleaning work is carried out DISCONNECT the freezer from the outlet

Internal Cleaning

Clean the inside and accessories with warm water and baking soda (5ml to 1/8 gallon of water). Rinse and dry thoroughly.



Do not use detergents, abrasive powders, highly perfumed cleaning products, wax polishes or cleaning products containing bleach or alcohol.

External Cleaning



Wash the outer cabinet with warm soapy water.

Do NOT use abrasive products.

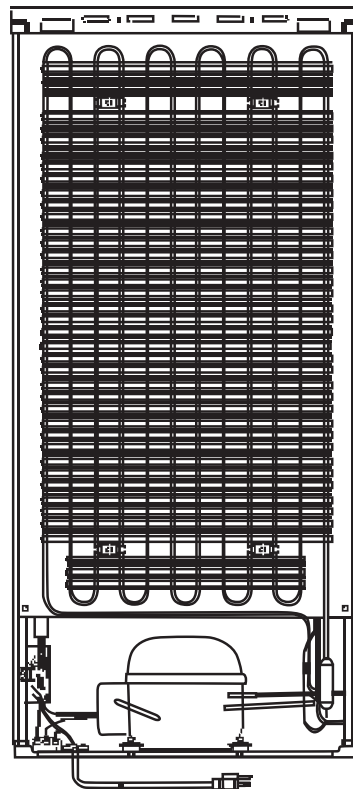
There are sharp edges on the underside of the product so care should be taken when cleaning.

Once or twice a year dust the condenser (black grille) and the compressor at the back of the appliance, with a brush or vacuum cleaner. An accumulation of dust will affect the performance of the appliance and cause excessive electricity consumption.



To Defrost the Freezer

1. Wrap any food in layers of newspaper or blankets.
2. Switch the appliance off at the wall socket and remove the plug.
3. Open the freezer door.
4. Place a suitable container to collect the defrost water.
5. After defrosting, clean and dry the interior.
6. Switch the appliance on and replace the frozen food.





Defrosting can be accelerated up by placing bowls of hot (not boiling) water in the freezer and scraping the inside with a plastic scraper.

If the temperature of frozen food is allowed to rise during defrosting, its storage life may be shortened.

When the Appliance is Not in Use

When the appliance is not in use for long periods of time, disconnect from the electric supply, empty all of the food and clean the appliance, leaving the door ajar to prevent unpleasant smells.

WHAT HAPPENS IF SOMETHING GOES WRONG

Before contracting your local service center, check the following points:

Symptom	
No power to the freezer	Check if there is power at the outlet.
	Check that the fuse has not blown.
The freezer door will not open	Has door just been opened? If so leave for a few minutes to allow the air pressure to equalize.
The temperature in the freezer section is too high	Check that the room temperature is within the setting relative to ambient conditions.
	Check that the thermostat is turned to correct operating limits of 60.8 F (16°C) to 89.6°F (32°C) Relocate the appliance if necessary.
The compressor runs continuously	Adjust the thermostat to give correct temperature control. See page 8.
	Check that the door is closed.
	Large quantities of food have recently been placed in the cabinet / and or door is frequently opened.
	Check that air ventilation is not obstructed.
Excessive frost and ice has built up	Ensure the door is not left open.
	Check that nothing is preventing the door from closing and is the door gasket intact and clean.
	Perform periodic defrosting.
Noise	Refer to normal operation sounds

REVERSING THE DOOR

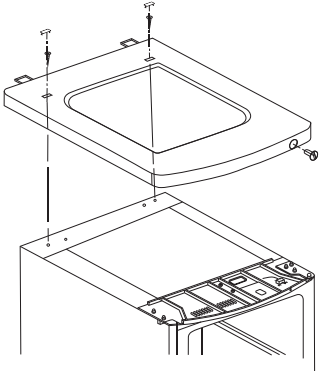
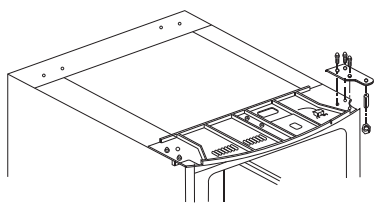
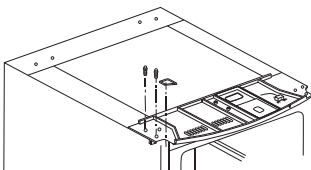
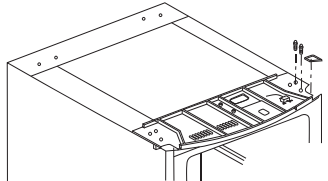
The freezer has been built with the door hinges on the right. If you wish to change the opening direction, follow the instructions below:

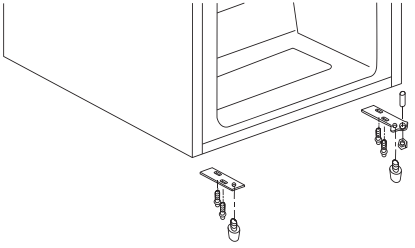
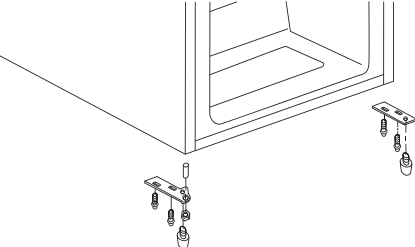
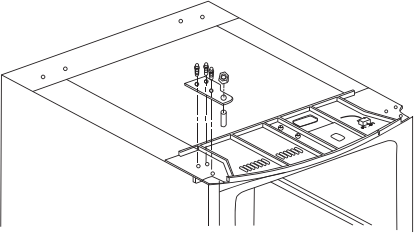
Note:

Unplug the freezer from its electrical outlet.

Empty everything in the freezer, including shelves, food, etc.

All parts removed must be saved to reinstall the door.

<ol style="list-style-type: none">1. Remove the temperature control knob.2. Remove the screw cover (using a slotted head screwdriver). Then remove the screws (using a phillips head screwdriver) that hold the top cover to the cabinet, lift the top cover, place it on a padded surface to prevent scratching.	
<ol style="list-style-type: none">3. Remove the three bolts, then remove the upper hinge that holds the door in place. Lift the door and place it on a padded surface to prevent scratching it.4. Remove the screws that hold the upper hinge pin, then transfer the hinge pin to the opposite side, and tighten the screws.	
<ol style="list-style-type: none">5. Remove the plug buttons from the upper left holes as illustrated and transfer them to the uncover hole at the right side.	
<ol style="list-style-type: none">6. Lay the unit on its back against a solid surface at an angle of no less than 45 degree. Remove the two screws that hold the lower hinge, remove the lower hinge.	

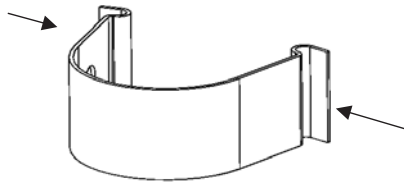
<p>7. Remove the supporting leg and the screws that hold the lower hinge pin from the low hinge ,and transfer them to the opposite side, and tighten the screws.</p> <p>8. Remove the screws using a Phillips head screwdriver, then remove the left hinge, and the left leg.</p>	
<p>9. Rotate the former left leg 180 degrees and attach to the lower right corner, then rotate the former right leg 180 degrees and fasten to the bottom left corner. The door should be able to attach to the lower left hinge.</p> <p>10. Reattach the door to the correct side. Secure and level the door, then tighten the fasteners.</p>	
<p>11. Remove upper right bracket w/ the door hinge. Remove hinge pin, then flip to other side. Rotate the bracket 180 degrees, and fasten to left side. Fit hinge into the upper hole of door. Tighten the bolts to secure the door.</p> <p>12. Transfer the former left side bracket to the right side.</p> <p>13. Replace the top cover by inserting all screws previously removed in step 2. Replace the screw cover.</p> <p>14. Reinsert the temperature control knob</p>	
<p>15. Tools required: -adjustable spanner. -Putty knife -Slotted head Screwdriver. -Phillips head Screwdriver</p>	

Rear Spacing Bracket Installation (optional)

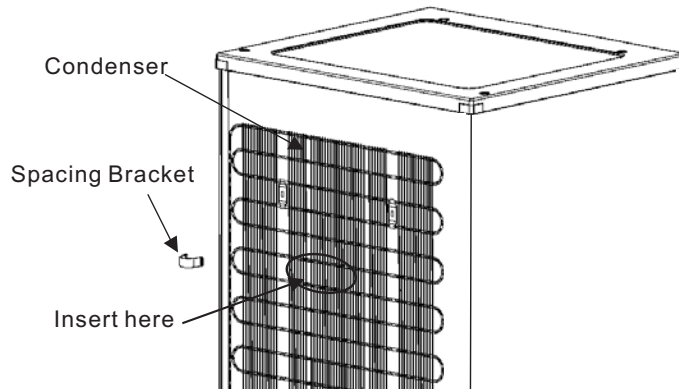
In order to reserve the required space behind the appliances for ventilation, please make sure the rear spacing bracket is well installed before switching on for use.

Note:

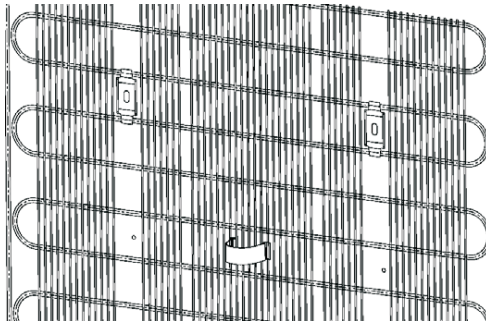
1. Press the spacing bracket on both sides with your fingers.



2. Place the bracket between the condenser vertical bars and within the highlighted area.



3. Release the finger pressure on the bracket and make sure it is secure.



Product Description	Upright Freezer
Model No.	FRF690
Capacity	195 L/6.9 cu ft
Electrical Rating	115 V/60HZ, 1.35A
Unit Dimension (W*D*H)	23.4*25.8*50.2inch
Net Weight(lbs)	121
Power Consumption (kw.h/24 h)	0.96