

CASABLANCA® FAN COMPANY

Models
59106
59107



Owner's Guide and Installation Manual

Stealth

www.CasablancaFanCo.com

For assistance call 1-888-227-2178

TO THE STORE!

DO NOT RETURN THIS ITEM

If parts are missing,

Where Purchased

Date Purchased

Model Number

should you ever need to contact

customer service.

communication MUCH easier

The information below will make

Read and Save These Instructions

IMPORTANT!

1-888-227-2178

Lifetime Limited Warranty

If purchased from our authorized dealer, this ceiling fan is warranted to the original purchaser by Casablanca Fan Company against defects in materials and workmanship for the following:

Motor excluding Electronics..... Lifetime
Component Parts, Electronic or Manual Control, Blades, Light Fixture, and Finish One Year
Light bulbs No Warranty

During the warranty period, we repair (or, at our option, replace at no charge) a defective product. For details, contact Casablanca at 1-888-227-2178 or visit us on the Web at www.CasablancaFanCo.com.

HOW TO OBTAIN SERVICE: Contact Casablanca for the name of the nearest Authorized Service Center or refer to the Authorized Service Centers list included with this Owner's Manual. Do not return your fan without approval from Casablanca Fan Company. Should it become necessary to return your fan to an Authorized Service Center, make sure it is packaged properly to avoid in-transit damage, which is not covered by this warranty.

WHAT IS NOT COVERED:

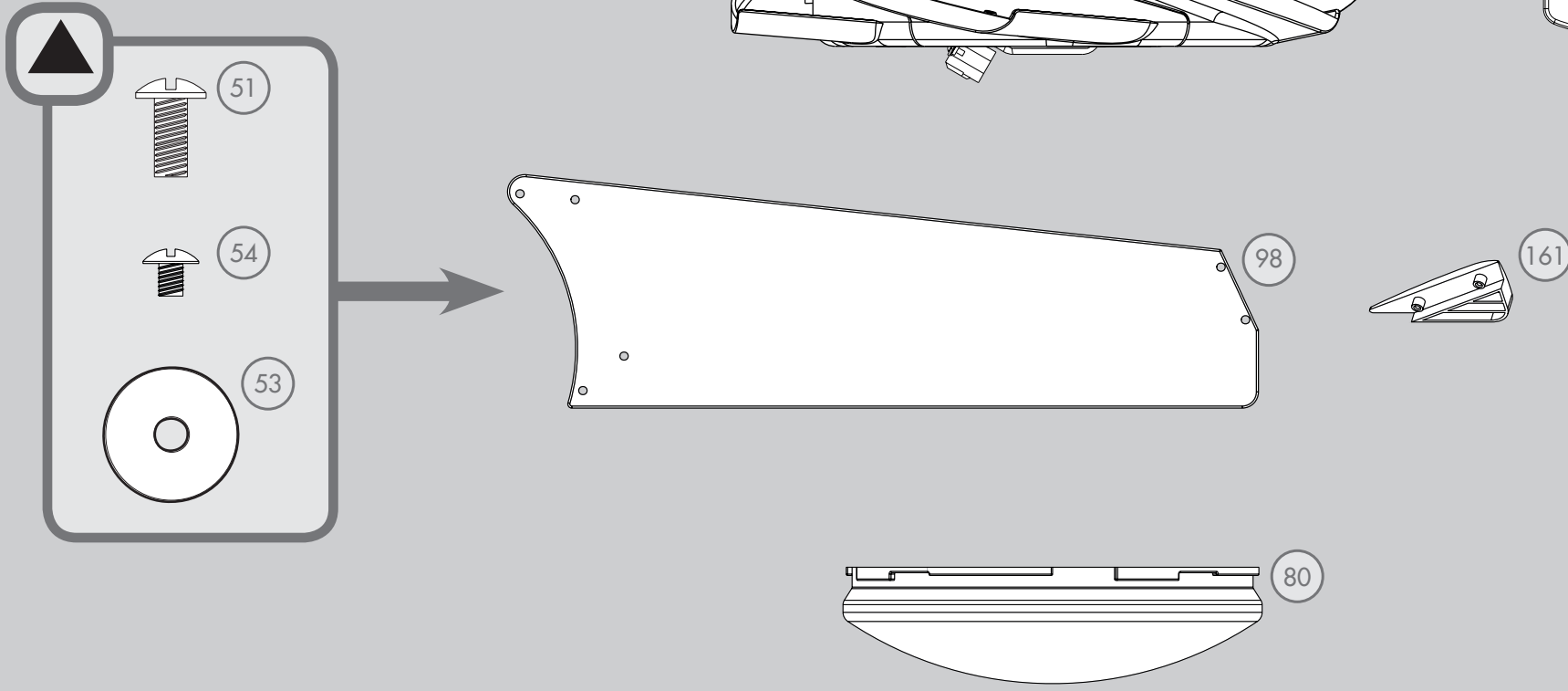
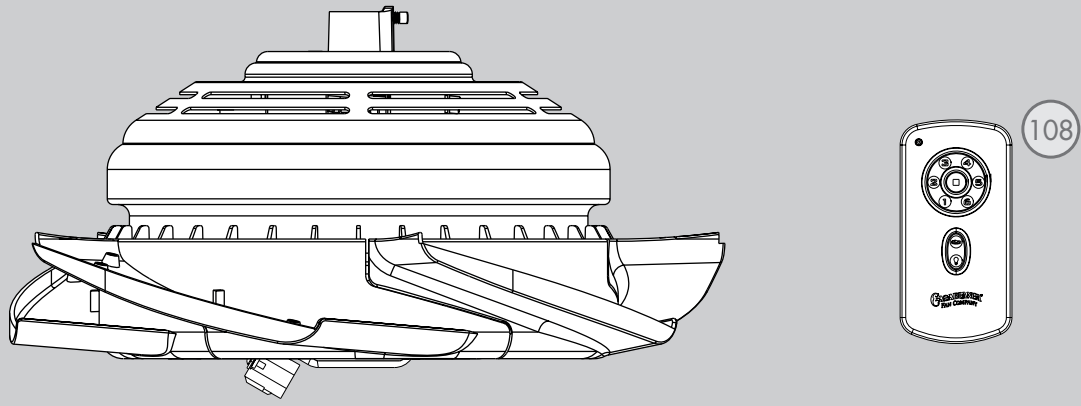
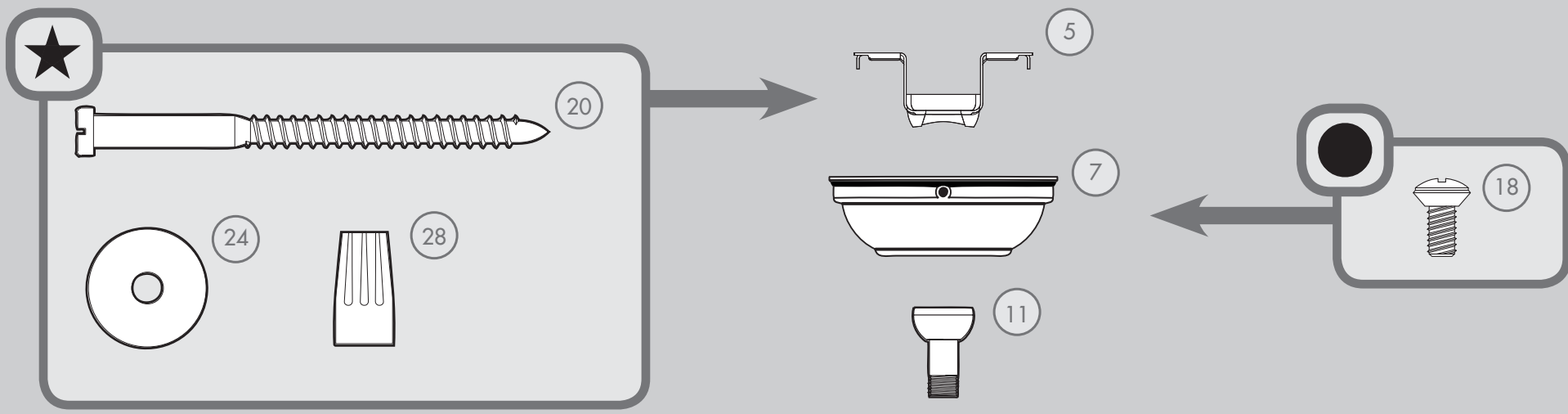
Casablanca Fan Company requires the use of genuine Casablanca accessories with this fan. Where a failure of this fan is caused by the use of accessories not supplied by Casablanca, this warranty is void.

This warranty does not apply if the product has been damaged by improper installation, neglect, accident, misuse, exposure to extremes of heat or humidity, or as a result of service or modification by other than a Casablanca Authorized Service Center. In addition, this warranty does not cover minor variations in plated metal finishes due to the imperfect nature of the plating and finishing process. Handblown glass may contain blisters, seeds, or thin lines. These characteristics are not defects, but substantiate that this is hand blown and handcrafted glass. All costs of installing, removing, and reinstalling the product are the responsibility of the owner. Under-warranty motors requiring repair must be shipped to the factory for replacement. Casablanca will pay for shipping charges incurred in sending the defective product from the customer to Casablanca Fan Company as well as for return UPS shipment. No other expressed warranty is given. The repair or replacement of a product is the consumer's exclusive remedy.

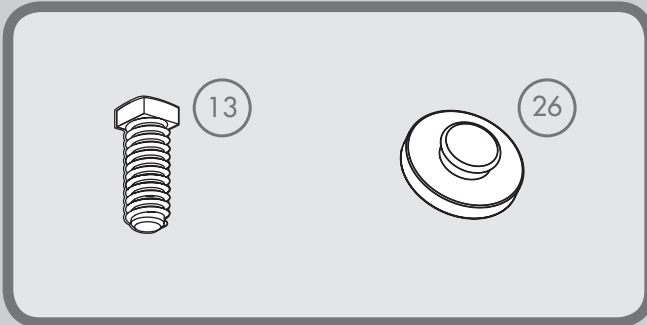
Any implied warranty of merchantability or fitness is limited for consequential or incidental damages.

IN-HOME SERVICE: Casablanca offers In-Home Service where available as follows:

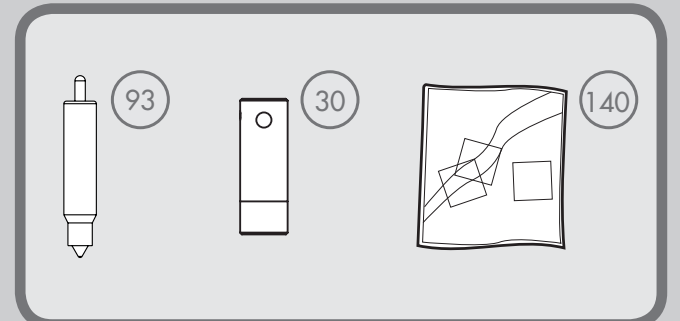
Within the first 120 days, Casablanca will send a field service representative to repair or replace the part or parts deemed to be defective from the factory. Most Service Center contracts cover up to a 30-mile radius from their place of business. Casablanca will not cover repairs caused by improper installation. After the 120-day period, the consumer will be charged for the service call and labor. Casablanca will pay for all defective parts through the duration of the parts warranty. **NOTE:** Service Centers are required to submit a Proof of Purchase with each warranty claim. The consumer must provide a copy of the Proof of Purchase at the time of service. If no in-home service is available, the consumer has the option of sending an in-warranty fan to Casablanca Fan Company in Memphis, TN, for repair. The fan must be packaged properly, shipped freight prepaid, and include a copy of the Proof of Purchase. The fan will be repaired and returned at no charge to the consumer, freight prepaid.




Pre-installed Parts



Included Accessories



Item# in Parts List

 Spare Parts Bag

Hardware drawn to scale
For your convenience, you may receive extra fasteners.

Parts List

Parts List		MODEL #	59106	59107
		DRAWING #	K1912-02	K1912-03
		Weight ±2 lbs	24.5 lbs (11.1 kg)	24.5 lbs (11.1 kg)
		FINISH	Brushed Nickel	Maiden Bronze
Item#	Item Name	Qty.	Part#	Part#
1	Hanging System Kit	1	K0065-01	K0065-01
5	Ceiling Bracket	1		
7	Canopy	1		
11	Downrod Assembly	1		
13	Setscrew	1		
18	Canopy Screw	3		
20	Wood Screw 3"	2		
24	Flat Washer	2		
26	Mounting Isolator	4		
28	Wire Connector	4		
30	Hanger Pipe	1		
50	Hardware Kit	1	K1912-00-861	K1912-00-862
51	Blade Assembly Screw	21		
53	Blade Washer	21		
54	Blade Tip Screw	11		
80	Globe/Shade	1	K1903-01-045	K1903-01-045
93	Halogen Bulb	1	63852-04	63852-04
98	Blade Set	1	K1897-05-203	K1897-05-216
108	Remote Control Transmitter	1	G1055-01	G1055-01
140	Balancing Kit	1	K0118-01	K0118-01
161	Blade Tip Set	1	85061-05	85061-05