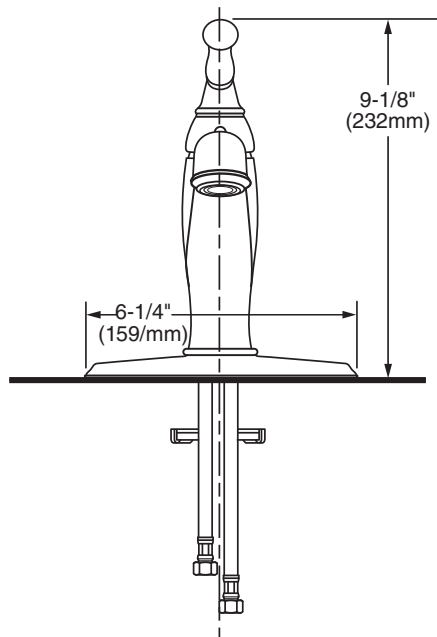


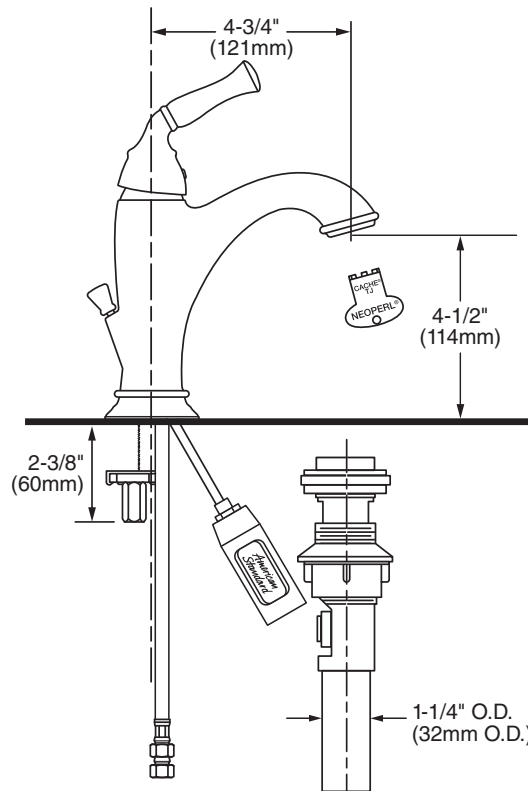


SKU# 260-412 Shown



MODEL NUMBER:

- 7164SF Lavatory Faucet**
 Speed Connect™ Pop-up drain. Lever Handle.
 Satin Nickel (PVD) finish. SKU# 260-412



GENERAL DESCRIPTION:

Single control lavatory faucet on 4" centers. Washerless 40mm ceramic disc valve cartridge. Flex inlet supplies with 3/8" compression thread. Installs with and without deck plate. Metal lever handle. Metal construction. Metal body with color matched underbody. 20" (500mm) long flexible stainless steel drain cable is pre-assembled to faucet body. Non-Metallic Speed Connect™ drain body with 1-1/4 inch (32mm) tail piece. 1.5 gpm/5.7L/min. maximum flow rate.

PRODUCT FEATURES:

- Ceramic Disc Valve Cartridge:** Assures a lifetime of drip-free performance.
- Low Lead:** Meets NSF Standard 61/Section 9 & Prop 65 lead requirements.
- Speed Connect® Drain:**
 - 1/3 the parts, installs in 1/3 the time.
 - No tools or plumbers putty required for installation.
 - No adjustments required - seals the first time, every time.
 - Flexible stainless steel cable - installs effortlessly in tight spaces.
- Longer Spout:** Provides extended reach into lavatory.
- Simple Installation:** Fast and easy one person installation. Faucet drops in from top. Installs with and without deck plate.

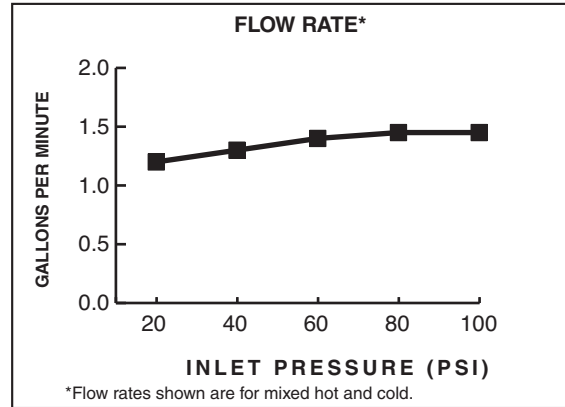
SUGGESTED SPECIFICATION:

Single control lavatory fitting shall feature cast brass waterways with 1/2" male inlet shanks. Shall also feature washerless 40mm ceramic disc valve cartridge. Shall also feature a drain body with stainless steel cable actuation. Fitting shall be American Standard Model # 7164SF. SKU# 260-412.


CODES AND STANDARDS

These products meet or exceed the following codes and standards:

- ANSI A117.1**
- ASME A112.18.1**
- NSF 61/Section 9**
- CSA B 125**



Product Number	Description
7164SF	Lavatory faucet. Non-Metallic Speed Connect™ Pop-up drain. Satin Nickel (PVD) finish. SKU# 260-412.

 Meets the American Disabilities Act Guidelines and **ANSI A117.1** Requirements for the physically challenged.