



2-Burner Infrared Liquid Propane Gas Grill

MODEL: IR2818-1

Français p.31

Español p.60

! WARNING

Improper installation, adjustment, alteration, service or maintenance can cause injury or property damage. Read this instruction manual thoroughly before installing or servicing this equipment.

! WARNING

1. Do not store or use gasoline or other flammable vapors and liquids in the vicinity of this or any other appliance,
2. An LP tank not connected for use should not be stored in the vicinity of this or any other appliance.

! DANGER

- If you smell gas:
1. Shut off gas to the appliance.
 2. Extinguish any open flames.
 3. Open the lid.
 4. If the odor continues, keep away from the appliance and immediately call your gas supplier or fire department.

! WARNING

For Outdoor Use Only







ATTACH YOUR RECEIPT HERE

Serial Number _____ Purchase Date _____



Questions, problems, missing parts? Before returning to your retailer, call our customer service department at 1-888-804-7455, 8 a.m. - 6 p.m., EST, Monday - Thursday, 8 a.m. - 5 p.m., EST, Friday.

	DANGER	
<p>If you smell gas:</p> <ol style="list-style-type: none"> 1. Shut off gas to the appliance. 2. Extinguish any open flame. 3. Open lid. 4. If odor continues, keep away from the appliance and immediately call your gas supplier or your fire department. 		

	WARNING	
<ol style="list-style-type: none"> 1. Do not store or use gasoline or other flammable liquids or vapors in the vicinity of this or any other appliance. 2. An LP cylinder not connected for use shall not be stored in the vicinity of this or any other appliance. 		

Installation Safety Precautions

- Use grill, as purchased, only with LP (propane) gas and the regulator/valve assembly supplied. A conversion kit must be purchased for use with natural gas.
- Grill installation must conform with local codes, or in their absence of local codes, with either the *National Fuel Gas Code, ANSI Z223.1/NFPA 54, Natural Gas and Propane Installation Code, CSA B149.1, or Propane Storage and Handling Code, B149.2, or the Standard for Recreational Vehicles, ANSI A 119.2/NFPA 1192, and CSA Z240 RV Series, Recreational Vehicle Code, as applicable.*
- All electrical accessories (such as rotisserie) must be electrically grounded in accordance with local codes, or *National Electrical Code, ANSI / NFPA 70 or Canadian Electrical Code, CSA C22.1.* Keep any electrical cords and/or fuel supply hoses away from any hot surfaces.
- This grill is safety certified for use in the United States and/or Canada only. Do not modify for use in any other location. Modification will result in a safety hazard.

Call Grill Service Center For Help And Parts

If you have questions or need assistance during assembly, please call 1-888-804-7455. You will be speaking to a representative of the grill manufacturer.

Safety Symbols



The symbols and boxes shown below explain what each heading means. Read and follow all of the messages found throughout the manual.



Product Record

IMPORTANT: Fill out the product record information below.

Model Number _____
Serial Number _____ See rating label on grill for serial number.
Date Purchased _____

	CAUTION	
<p>For residential use only. Do not use for commercial cooking.</p>		

	DANGER	
<p>DANGER: Indicates an imminently hazardous situation which, if not avoided, will result in death or serious injury.</p>		

	WARNING	
<p>WARNING: Indicates an potentially hazardous situation which, if not avoided, could result in death or serious injury.</p>		



	CAUTION	
<p>CAUTION: Indicates a potentially hazardous situation or unsafe practice which, if not avoided, may result in minor or moderate injury.</p>		

TABLE OF CONTENTS

For Your Safety.	2
Grill Service Center.	2
Product Record Information	2
Safety Symbols.	2
Installation Safety Precautions.	2
Grill Warranty.	4
Use and Care.	5-12
Natural Gas Conversion Kit.	13
Parts List.	14
Parts Diagram.	15
Assembly.	16-25
Natural Gas Conversion Instructions.	26 - 28
Troubleshooting.	29

 **WARNING** 

CALIFORNIA PROPOSITION 65

1. Combustion by-products produced when using this product contain chemicals known to the State of California to cause cancer, birth defects, and other reproductive harm.
2. This product contains chemicals, including lead and lead compounds, known to the State of California to cause cancer, birth defects or other reproductive harm.
Wash your hands after handling this product.

 **WARNING** 

GREASE FIRE HAZARD

- Putting out grease fires by closing the grill lid is not possible. Grills are well ventilated for safety reasons.
- Do not use water on a grease fire. Serious personal injury may result. If a grease fire develops, wear gloves to protect hands and turn knobs and LP cylinder off.
- Do not leave grill unattended while preheating or burning off food residue on HI. If grill has not been regularly cleaned, a grease fire can occur that may damage the product.

 **WARNING** 

Side burner cover must be open when side burner is in operation.
To the installer: Leave this manual with the consumer.
To the consumer: Retain this manual for future reference.

NOTICE: Using a water spray bottle to extinguish flame flare-ups can cause thermal shock to firebox porcelain surfaces, and create “feathering” cracks in the porcelain. Water can seep through the cracks and cause the underlying metal to rust.

WARRANTY

CHEF'S GRILL LIMITED WARRANTY

WITH PROOF OF SALE, the following warranty coverage applies when this appliance is correctly installed, operated and maintained according to all supplied instructions.

ONE YEAR Overall Warranty: From the date of sale this appliance is warranted against defects in material or workmanship. A defective appliance will receive free repair or replacement at option of seller.

FIVE YEARS Burner Warranty: From the date of sale, any stainless steel burner that rusts through or burns through will be replaced free of charge. A new burner will be supplied at no charge. You are responsible for the labor cost of burner installation.

All warranty coverage excludes igniter batteries and grill part paint loss, discoloration or surface rusting, which are either expendable parts that can wear out from normal use within the warranty period, or are conditions that can be the result of normal use, accident or improper maintenance.

All warranty coverage applies is void if this appliance is ever used for other than private household purposes.

This warranty covers ONLY defects in material and workmanship, and will NOT pay for:

1. Expendable items that can wear out from normal use within the warranty period, including but not limited to batteries, screw-in base light bulbs and surface coatings or finishes.
2. A service technician to clean or maintain this appliance, or to instruct the user in correct appliance installation, operation and maintenance.
3. Service calls to correct appliance installation not performed by authorized service agents, or to repair problems with house fuses, circuit breakers, house wiring, and plumbing or gas supply systems resulting from such installation.
4. Damage to or failure of this appliance resulting from installation not performed by authorized service agents, including installation that was not in accord with electrical, gas or plumbing codes.
5. Damage to or failure of this appliance, including discoloration or surface rust, if it is not correctly operated and maintained according to all supplied instructions.
6. Damage to or failure of this appliance, including discoloration or surface rust, resulting from accident, alteration, abuse, misuse or use for other than its intended purpose.
7. Damage to or failure of this appliance, including discoloration or surface rust, caused by the use of detergents, cleaners, chemicals or utensils other than those recommended in all instructions supplied with the product.
8. Damage to or failure of this appliance resulting from natural or other catastrophe, such as flood, fire or storm.
9. Damage to or failure of parts or systems resulting from unauthorized modifications made to this appliance.
10. Service to an appliance if the model and serial plate is missing, altered, or cannot easily be determined to have the appropriate certification logo.

Disclaimer of implied warranties; limitation of remedies

Customer's sole and exclusive remedy under this limited warranty shall be product repair or replacement as provided herein. Implied warranties, including warranties of merchantability or fitness for a particular purpose, are limited to one year on the appliance and five years on the burners, or the shortest period allowed by law. Seller shall not be liable for incidental or consequential damages. Some states and provinces do not allow the exclusion or limitation of incidental or consequential damages, or limitation on the duration of implied warranties of merchantability or fitness, so these exclusions or limitations may not apply to you.

This warranty applies only while this appliance is used in the United States.

This warranty gives you specific legal rights, and you may also have other rights which vary from state to state.

USE AND CARE



DANGER



- NEVER store a spare LP cylinder under or near the grill appliance or in an enclosed area.



- Never fill a cylinder beyond 80% full.
- If the information in the two points above is not followed exactly, a fire causing death or serious injury may occur.
- An over filled or improperly stored cylinder is a hazard due to possible gas release from the safety relief valve. This could cause an intense fire with risk of property damage, serious injury or death.
- If you see, smell or hear gas escaping, immediately get away from the LP cylinder and grill appliance and call your fire department.

- Do not store an LP tank in an area where children play.
- ### LP Cylinder
- The LP cylinder used with your grill must meet the following requirements:
 - Use LP cylinders only with these required measurements: 12" (30.5cm) (diameter) x 18" (45.7 cm) (tall) with 20 lb. (9 kg.) capacity maximum.
 - LP cylinders must be constructed and marked in accordance with specifications for LP cylinders of the U.S. Department of Transportation (DOT) or for Canada, CAN/CSA-B339, cylinders, spheres and tubes for transportation of dangerous goods. Transport Canada (TC). See LP cylinder collar for marking.
 - LP cylinder valve must have:
 - Type 1 outlet compatible with regulator or grill.
 - Safety relief valve.
 - UL listed Overfill Protection Device (OPD). This OPD safety feature is identified by a unique triangular hand wheel. Use only LP cylinders equipped with this type of valve.
 - LP cylinder must be arranged for vapor withdrawal and include collar to protect LP cylinder valve. Always keep LP cylinders in upright position during use, transit or storage.



OPD Hand Wheel



LP cylinder in upright position for vapor withdrawal

LP (Liquefied Petroleum Gas)

- LP gas is nontoxic, odorless and colorless when produced. For Your Safety, LP gas has been given an odor (similar to rotten cabbage) so that it can be smelled.
- LP gas is highly flammable and may ignite unexpectedly when mixed with air.

LP Cylinder Filling

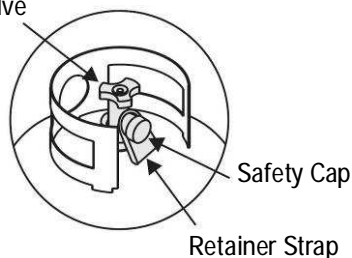
- Use only licensed and experienced dealers.
- LP dealer must purge new cylinder before filling.
- Dealer should NEVER fill LP cylinder more than 80% of LP cylinder volume. Volume of propane in cylinder will vary by temperature.
- A frosty regulator indicates gas overfill. Immediately close LP cylinder valve and call local LP gas dealer for assistance.
- Do not release liquid propane (LP) gas into the atmosphere. This is a hazardous practice.
- To remove gas from LP cylinder, contact an LP dealer or call a local fire department for assistance. Check the telephone directory under "Gas Companies" for nearest certified LP dealers.

LP Tank Removal, Transport and Storage

- Turn OFF all control knobs and LP tank valve. Turn coupling nut counterclockwise by hand only - do not use tools to disconnect. Lift LP tank wire upward off of LP tank collar, then lift LP tank up and off of support bracket. Install safety cap onto LP tank valve. Always use cap and strap supplied with valve.

Failure to use safety cap as directed may result in serious personal injury and/or property damage.

LP Tank Valve



Retainer Strap

- A disconnected LP tank in storage or being transported must have a safety cap installed (as shown). Do not store an LP tank in enclosed spaces such as a carport, garage, porch, covered patio or other building. Never leave an LP tank inside a vehicle which may become overheated by the sun.


LP Tank Exchange

- Many retailers that sell grills offer you the option of replacing your empty LP tank through an exchange service. Use only those reputable exchange companies that inspect, precision fill, test and certify their cylinders. Exchange your tank only for an OPD safety feature-equipped tank as described in the "LP Tank" section of this manual.
- Always keep new and exchanged LP tanks in upright position during use, transit or storage.
- Leak test new and exchanged LP tanks BEFORE connecting to grill.

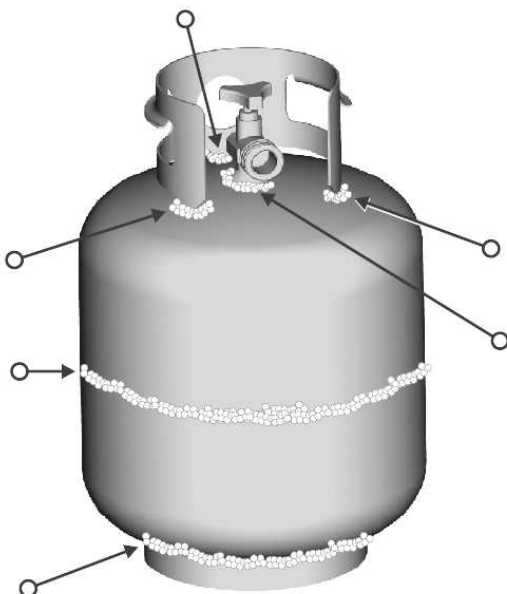
LP Tank Leak Test

For your safety

- Leak test must be repeated each time LP tank is exchanged or refilled.
- Do not smoke during leak test.
- Do not use an open flame to check for gas leaks.
- Grill must be leak tested outdoors in a well-ventilated area, away from ignition sources such as gas fired or electrical appliances. During leak test, keep grill away from open flames or sparks.
- Use a clean paintbrush and a 50/50 mild soap and water solution. Brush soapy solution onto areas indicated by arrows in figure below. Leaks are indicated by growing bubbles.

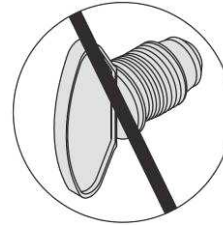
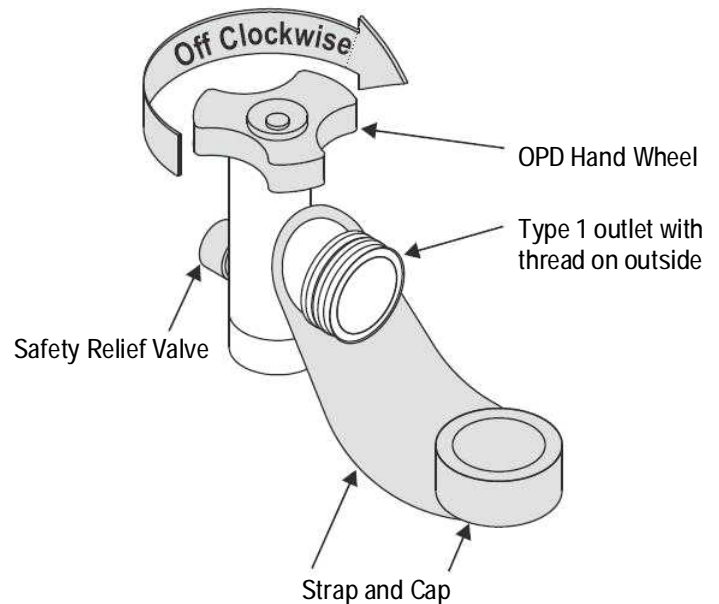
	WARNING	
<p>If "growing" bubbles appear do not use or move the LP tank. Contact an LP gas supplier or your fire department!</p>		

▲ Do not use household cleaning agents. Damage to gas train components (valve/hose/regulator) can result.



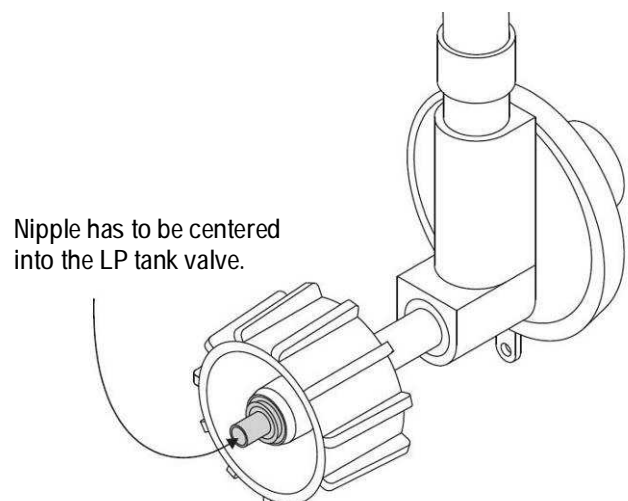
Connecting Regulator To The LP Tank

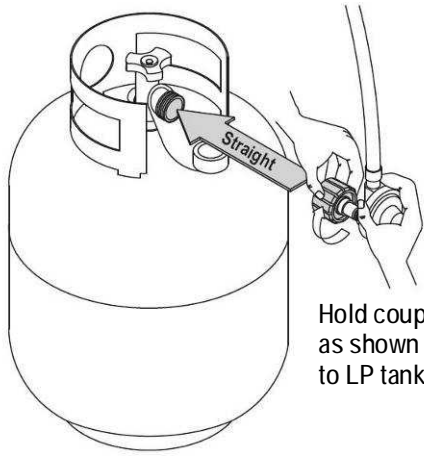
1. LP tank must be properly secured onto grill. (Refer to assembly section.)
2. Turn all control knobs to the OFF position.
3. Turn LP tank OFF by turning OPD hand wheel clockwise to a full stop.
4. Remove the protective cap from LP tank valve. Always use cap and strap supplied with valve.



Do not insert a POL transport plug (plastic part with external threads) into the Type 1 tank valve outlet. It will defeat the Safety Relief Valve feature.

5. Hold regulator and insert nipple into LP tank valve. Hand-tighten the coupling nut, holding regulator in a straight line with LP tank valve so as not to crossthread the connection.



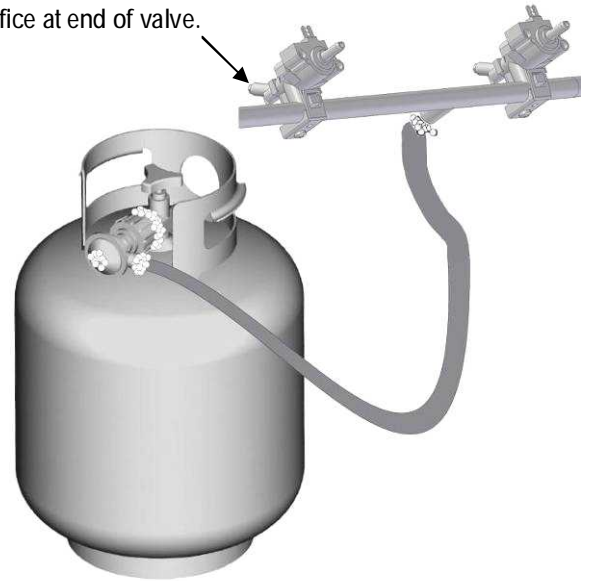


Hold coupling nut and regulator as shown for proper connection to LP tank valve.

Leak Testing Valves, Hose and Regulator

1. Turn all grill control knobs to OFF.
2. Be sure regulator is tightly connected to LP tank.
3. Completely open LP tank valve by turning OPD hand wheel counterclockwise. If you hear a *rushing sound*, turn gas off immediately. There is a major leak at the connection. Correct before proceeding by calling 1-888-804-7455.
4. Brush soapy solution onto areas where bubbles are shown in picture below:

▲ Never remove threaded orifice at end of valve.



6. Turn the coupling nut clockwise and tighten to a full stop. The regulator will seal on the back-check feature in the LP tank valve, resulting in some resistance. An additional one-half to three-quarters turn is required to complete the connection. Tighten by hand only – do not use tools.

NOTE:

If you cannot complete the connection, disconnect regulator and repeat steps 5 and 6. If you are still unable to complete the connection, do not use this regulator! Call 1-888-804-7455 for assistance.

	DANGER	
<ul style="list-style-type: none"> • Do not insert any tool or foreign object into the valve outlet or safety relief valve. You may damage the valve and cause a leak. Leaking propane may result in explosion, fire, severe personal injury, or death. 		

5. If “growing” bubbles appear, there is a leak. Close LP tank valve immediately and retighten connections. If leaks cannot be stopped do not try to repair. Call 1-888-804-7455.

	WARNING	
<ul style="list-style-type: none"> • Outdoor gas appliance is not intended to be installed in or on a boat. • Outdoor gas appliance is not intended to be installed in or on an RV. • Never attempt to attach this grill to the self-contained LP gas system of a camper trailer or motor home. • Do not use grill until leak-tested. • If a leak is detected at any time, STOP and call the fire department. • If you cannot stop a gas leak, <i>immediately</i> close LP cylinder valve and call LP gas supplier or your fire department! 		

6. Always close LP tank valve after performing leak test by turning hand wheel clockwise.

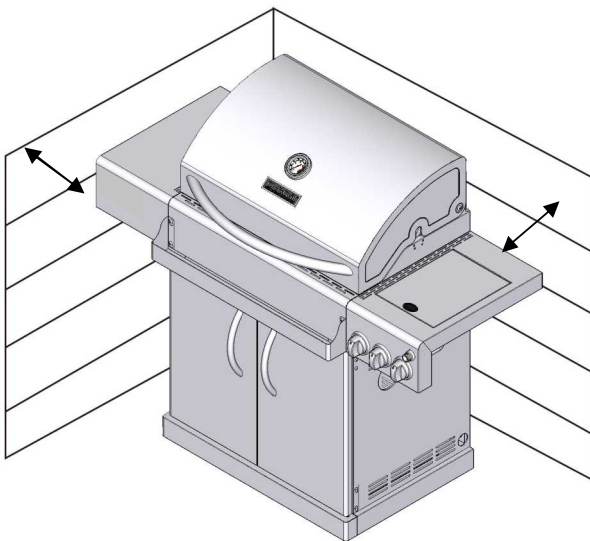


WARNING



For Safe Use of Your Grill and to Avoid Serious Injury:

- Do not let children operate or play near grill.
- Keep grill area clear and free from materials that burn.
- Do not block holes in sides or back of grill.
- Check burner flames regularly.
- Use grill only in well-ventilated space. NEVER use in enclosed space such as carport, garage, porch, covered patio, or under an overhead structure of any kind.
- Do not use charcoal or ceramic briquets in a gas grill. (*Unless briquets are supplied with your grill.*)
- Use grill at least 3 ft. from any wall or surface. Maintain 10 ft. clearance to objects that can catch fire, or to sources of ignition such as pilot lights on water heaters, live electrical appliances, etc.



- **Apartment Dwellers:**
Check with management to learn the requirements and fire codes for using an LP gas grill in your apartment complex. If allowed, use outside on the ground floor with a three (3) foot clearance from walls or rails. Do not use on or under balconies.
- NEVER attempt to light burner with lid closed. A buildup of non-ignited gas inside a closed grill is hazardous.
- Never operate grill with LP cylinder out of correct position specified in assembly instructions.
- Always close LP cylinder valve and remove coupling nut before moving LP cylinder from specified operation position.

Safety Tips

- ▲ Before opening LP cylinder valve, check the coupling nut for tightness.
- ▲ When grill is not in use, turn off all control knobs and LP cylinder valve.
- ▲ Never move grill while in operation or still hot.
- ▲ Use long-handled barbecue utensils and oven mitts to avoid burns and splatters.
- ▲ Maximum load for sideburner and side shelf is 10 lbs.
- ▲ The grease tray must be inserted into grill and emptied after each use. Do not remove grease tray until grill has completely cooled.
- ▲ Clean grill often, preferably after each cookout. If a bristle brush is used to clean any of the grill cooking surfaces, ensure no loose bristles remain on cooking surfaces prior to grilling. It is not recommended to clean cooking surfaces while grill is hot.
- ▲ If you notice grease or other hot material dripping from grill onto valve, hose or regulator, turn off gas supply at once. Determine the cause, correct it, then clean and inspect valve, hose and regulator before continuing. Perform a leak test.
- ▲ Keep ventilation openings in cylinder enclosure (grill cart) free and clear of debris.
- ▲ Do not store objects or materials inside the grill cart enclosure that would block the flow of combustion air to the underside of either the control panel or the firebox bowl.
- ▲ The regulator may make a humming or whistling noise during operation. This will not affect safety or use of grill.
- ▲ If you have a grill problem see the "Troubleshooting Section".
- ▲ If the regulator frosts, turn off grill and LP cylinder valve immediately. This indicates a problem with the cylinder and it should not be used on any product. Return to supplier!



CAUTION







- Putting out grease fires by closing the lid is not possible. Grills are well ventilated for safety reasons.
- Do not use water on a grease fire. Personal injury may result. If a grease fire develops, turn knobs and LP cylinder off.
- Do not leave grill unattended while preheating or burning off food residue on HI. If grill has not been regularly cleaned, a grease fire can occur that may damage the product.

Ignitor Lighting the Grill

1. Read instructions before lighting your grill.
2. Open lid during lighting.
3. Open LP cylinder or natural gas valve.
4. Push any burner control knob in and turn the knob to the left to "HI" position. Keep pressing the knob until the burner is lit.
5. If ignition does not occur in 5 seconds, turn the burner control off, wait 5 minutes for gas to clear away, and repeat the lighting procedure.
6. To light other burners, repeat step 4.

NOTE: If ignitor does not work, follow Match Lighting instructions.

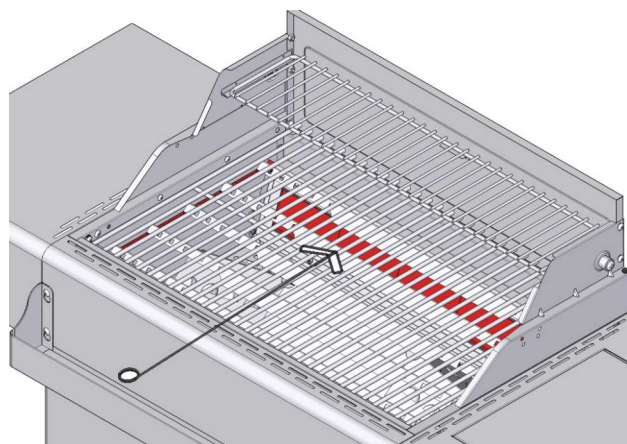
	WARNING	
<p>Turn off controls and tank or gas supply when not in use. Please make sure the drip tray and drip cup are properly installed before turning burners on. Drip tray is hot when burner is on and after grilling. Do not touch the drip tray when it is hot.</p>		

	CAUTION	
<p>If ignition does not occur in 5 seconds, turn the burner control off, wait 5 minutes, and repeat the lighting procedure. If the burner does not ignite with the valve open, gas will continue to flow out of the burner and could accidentally ignite with risk of injury.</p>		

Main Burner Match Lighting

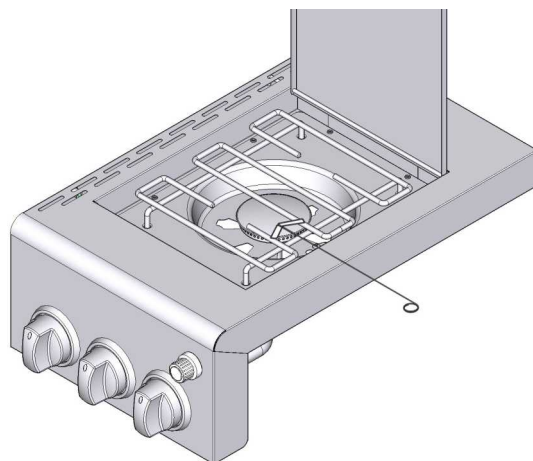
▲Do not lean over grill while lighting.

1. Open lid during lighting.
2. Place match into match holder (hanging from side of cart). Light match, place into the firebox.
3. Push in and turn right knob to HIGH position. Be sure burner lights and stays lit.
4. Light other burners by pushing knob in and turning to HI position.



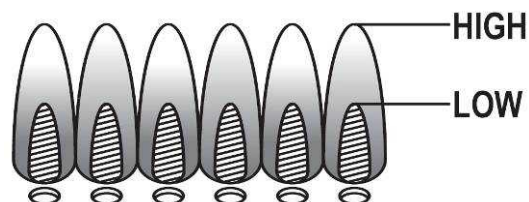
Side Burner Match Lighting

1. Open side burner lid. Turn on gas at LP cylinder.
2. Place match into match holder. Light match. Place lit match near burner.
3. Turn side burner knob to HI. Be sure burner lights and stays lit.



Burner Flame Check

- Remove cooking grates and heat diffusers. Light burners, rotate knobs from HIGH to LOW. You should see a smaller flame in LOW position than seen on HIGH. Perform burner flame check on sideburner, also. Always check flame prior to each use.



Turning Grill Off

- Turn all knobs to position. Turn LP cylinder off by turning hand-wheel clockwise to a full stop.

Ignitor Check

- Turn gas off at LP cylinder. Push the control knob in and turn the knob to the left to "HI" position. "Click" should be heard and spark seen each time between collector box or burner and electrode. See "*Troubleshooting*" if no click or spark.

Valve Check

- **Important:** Make sure gas is off at LP cylinder before checking valves. Knobs lock in OFF position. To check valves, first push in knobs and release, knobs should spring back. If knobs do not spring back, replace valve assembly before using grill. Turn knobs to LOW position then turn back to OFF position. Valves should turn smoothly.

Hose Check

- Before each use, check to see if hoses are cut or worn. Replace damaged hoses before using grill. Use only identical replacement part valve/hose/regulator as specified in the Parts List of this Use and Care Guide.

General Grill Cleaning

- Do not mistake brown or black accumulation of grease and smoke for paint. Interiors of gas grills are not painted at the factory (and should never be painted). Apply a strong solution of detergent and water or use a grill cleaner with scrub brush on insides of grill lid and bottom. Rinse and allow to completely air dry. Do not apply a caustic grill/oven cleaner to painted surfaces.
- **Plastic parts:** Wash with warm soapy water and wipe dry. Do not use citrisol, abrasive cleaners, degreasers or a concentrated grill cleaner on plastic parts. Damage to and failure of parts can result.
- **Porcelain surfaces:** Because of glass-like composition, most residue can be wiped away with baking soda/water solution or specially formulated cleaner. Use nonabrasive scouring powder for stubborn stains.
- **Painted surfaces:** Wash with mild detergent or nonabrasive cleaner and warm soapy water. Wipe dry with a soft nonabrasive cloth.
- **Grease Tray and Cup:** Regularly clean the grease drippings from the Grease Tray and Grease Cup. When the grill has completely cooled down after use, remove the cup from the tray and slide the tray out of the grill. Clean the grease drippings from the cup and tray surfaces by washing with mild detergent or nonabrasive cleaner and warm soapy water. Wipe dry with a soft nonabrasive cloth. Slide the tray back into the grill and replace the cup back into the tray before using the grill again.
- **Stainless steel surfaces:** To maintain your grill's high quality appearance, wash with mild detergent and warm soapy water and wipe dry with a soft cloth after each use. Baked-on grease deposits may require the use of an abrasive plastic cleaning pad. Use only in direction of brushed finish to avoid damage. Do not use abrasive pad on areas with graphics.

- **Cooking surfaces:** If a bristle brush is used to clean any of the grill cooking surfaces, ensure no loose bristles remain on cooking surfaces prior to grilling. It is not recommended to clean cooking surfaces while grill is hot.

Storing Your Grill

- Clean cooking grates.
- Store in dry location.
- When LP cylinder is connected to grill, store outdoors in a wellventilated space and out of reach of children.
- Cover grill if stored outdoors. Choose from a variety of grill covers offered by manufacturer.
- Store grill indoors ONLY if LP cylinder is turned off and disconnected, removed from grill and stored outdoors.

WARNING: To ensure that it is safe to eat, food must be cooked to the minimum internal temperatures listed in the table below.

USDA* Recommended Safe Minimum Internal Temperatures	
Beef, Veal, Lamb and Pork – Whole Cuts**	145° F
Fish	145° F
Beef, Veal, Lamb and Pork – Ground	160° F
Egg Dishes	160° F
Turkey, Chicken & Duck – Whole, Pieces & Ground	165° F

* United States Department of Agriculture

**Allow meat to rest three minutes before carving or consuming.

Food Safety

Food safety is a very important part of enjoying the outdoor cooking experience. To keep food safe from harmful bacteria, follow these four basic steps:

Clean: Wash hands, utensils, and surfaces with hot soapy water before and after handling raw meat and poultry.

Separate: Separate raw meats and poultry from ready-to-eat foods to avoid cross contamination. Use a clean platter and utensils when removing cooked foods.

Cook: Cook meat and poultry thoroughly to kill bacteria. Use a thermometer to ensure proper internal food temperatures.

Chill: Refrigerate prepared foods and leftovers promptly.

How To Tell If Meat Is Grilled Thoroughly

- Meat and poultry cooked on a grill often browns very fast on the outside. Use a meat thermometer to be sure food has reached a safe internal temperature, and cut into food to check for visual signs of doneness.
- Whole poultry should reach 180° F; breasts, 170° F. Juices should run clear and flesh should not be pink.
- Hamburgers made of any ground meat or poultry should reach 160° F, and be brown in the middle with no pink juices. Beef, veal and lamb steaks, roasts and chops can be cooked to 145°F. All cuts of pork should reach 160° F.
- NEVER partially grill meat or poultry and finish cooking later. Cook food completely to destroy harmful bacteria.
- When reheating takeout foods or fully cooked meats like hot dogs, grill to 165° F, or until steaming hot.

Gas Requirements

LP Gas

If your grill is for LP Gas, the regulator supplied is set for an 11-in. water column (WC) and is for use with LP gas only. The factory-supplied regulator and hose must be used with a 20-lb. LP gas tank.

Excess Flow Control and Low Heat

The propane regulator assembly incorporates an excess flow device designed to supply the grill with sufficient gas flow under normal conditions yet control excess gas flow. Rapid changes in pressure can trigger the excess flow device providing a low flame and low temperature. If the tank valve is turned open to allow gas flow while a burner valve is open, the surge of pressure will cause the device to activate. The device will remain closed until the pressure is equalized. This should occur within 5 seconds.

To ensure this does not cause difficulty in lighting the grill, follow these instructions:

1. Make sure all burner valves are "OFF".
2. Open the tank valve and wait 5 seconds.
3. Light the burners one at a time following the lighting instructions.

Helpful Care and Maintenance Hints

Before grilling, pre-heat grill for 15 minutes on "HI" with hood down. To avoid uncontrolled flare-ups or grease fires, grill meats with hood open. Close hood if meats are thick or weather is cold, or if you are using a rotisserie or indirect cooking.

Always protect your hand with a pot holder or cooking glove when coming into contact with a hot surface.

Hood up when grilling meats, especially chicken. Hood down when indirect or rotisserie cooking.

NEVER leave your grill unattended while cooking.

After use, close hood, turn burners to HI for 15 min. for self-cleaning, grease burn off.

Care and Maintenance Time Table Chart

Grill Item	Frequency Based on Normal Use	Cleaning Method
Painted surface	Twice yearly	Car wax
Stainless surface	Twice yearly	Stainless cleaner
All grates	After each use	Burn off and wipe
Stainless grates	15 days	Wire brush/ Dishwasher safe
Porcelain grates	15 days	Scrub pad soapy water /Dishwasher safe
Burner heat tents	30 days	Wire brush
Burners	90 days	Wire brush
Burner box interior	120 days	Interior grill cleaning products (available at Sears)

Natural Gas Conversion Kit

Your grill can be converted to natural gas. The conversion must be performed by a qualified gas technician. The following listed Natural Gas Conversion Kit (sold separately) are required for the conversion.

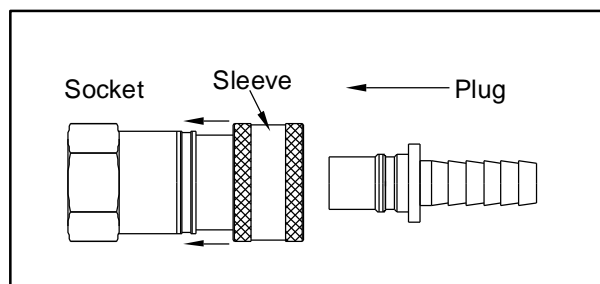
Natural gas conversion kit
 Model # NGKIT-01
 (Manufacturer Part No.: IR2818-1-KIT)

Natural Gas Connection Preparation:

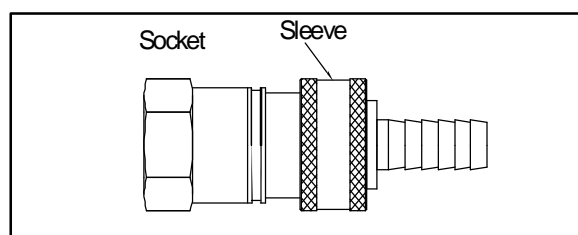
1. Turn off gas supply, and then remove cap on gas supply side.
2. Recommended: Install a shut-off valve on gas supply side before installing the socket.
3. Socket should be installed by an authorized technician in accordance with the national fuel gas code (NFPA 54/ANSI223.1).
4. Before inserting plug, turn on gas supply and leak test all connections including the stem of the shut-off valve and the opening of the socket. For best results, use an ammonia-free soap & water solution.

Operating Instructions:

1. To connect, push back socket sleeve.



2. Insert plug and release sleeve.
3. Push plug until sleeve snaps forward. (Gas will flow automatically. Failure to connect plug properly to socket will inhibit gas flow to the appliance.)



To disconnect

1. Pull Sleeve back. Pull plug out of socket. (Gas is automatically shut off.)
2. Close shut-off valve or turn off gas supply, and replace dust caps on socket and plug.

Natural Gas

Now that your grill is converted to Natural Gas use, it is set for 7-inch water column (WC) pressure, and cannot be used with Propane Gas. Gas pressure is affected by gas line size and the length of gas line run from the house. Follow the recommendations in the chart below.

From House to Grill	
Distance	Tubing Size
Up to 25 ft.	3/8 in. diameter
26-50 ft.	1/2 in. diameter
51-100 ft.	2/3 of the run: 3/4 in. diameter
	1/3 of the run : 1/2 in. diameter
Over 101 ft.	3/4 in. diameter

PARTS LIST

Key	Qty	Description	Manufacturer Part #
1	1	HOOD HANDLE	IR2818-00-4300
2	4	RUBBER PLUG	3219B-8083
3	1	HOOD	IR2818-1-4000
4	1	TEMPERATURE GAUGE	2518-4C-8012
5	1	TEMPERATURE GAUGE BEZEL	3218LTN-00-4001
6	1	TEMPERATURE GAUGE SLEEVE	E3518-00-4009
7	2	MAIN GRID	RB2818ST-00-2001
8	1	WARMING RACK	2818-2T-2002
9	5	HEAT TENT	IR2818-00-2004
10	1	REFLECTOR	IR2818-00-2040
11	1	BURNER BOX	IR2818-00-2000
12	2	NUT	5/16-18 UNC
13	2	HOOD SLEEVE	E3518-00-0001
14	2	SCREW	5/16-18 UNC x 1"
15	2	MAIN BURNER	IR2818-00-2050
16	1	IGNITION PIN (MAIN BURNER)	IR2818-00-8002
17	1	COVER HANDLE	3218LT-00-2804
18	1	SIDE BURNER COVER	E3518-00-6001-1
19	1	SIDE BURNER GRID	IR2818-00-6002
20	1	ELECTRICAL IGNITOR	RT2417S-00-8004
21	1	SIDE BURNER SHELF	IR2818-1-6000
22	1	IGNITION PIN (SIDE BURNER)	L3018SN-00-8007
23	1	SIDE BURNER	IR2818-00-8300
24	1	LPG REGULATOR	IR2818-00-8007
25	3	BEZEL	RT2417S-00-3321
26	3	KNOB	RT2417S-00-3301
27	1	IGNITION PIN (MAIN BURNER)	IR2818-00-8001
28	1	MAIN BURNER HOSE(BACK)	IR2818-00-8003
29	1	MANIFOLD	IR2818-00-3200
30	1	MAIN BURNER HOSE(FRONT)	2518SL-8005
31	1	DRIP TRAY	RB2818TN-00-2600
32	1	SIDE SHELF	IR2818-00-5000
33	1	LEFT PANEL	IR2818-00-1700
34	1	SIDE PANEL BRACKET (LEFT)	2818-2T-1600
35	1	DRIP CUP SUPPORT	2818-2T-1500
36	1	DRIP CUP	P3018-00-1002
37	1	TANK RING	P3018-00-1203
38	1	TANK RING BRACKET	E3518-00-1202
39	1	REAR PANEL	IR2818-00-1200
40	1	RIGHT PANEL	IR2818-00-1800
41	1	SIDE PANEL BRACKET (RIGHT)	2818-2T-1700
42	1	BOTTOM PANEL	IR2818-00-1100
43	2	LOCKING CASTER	RT2417S-00-8005
44	2	CASTER	RT2417S-00-8006
45	1	MAGNET	L3018S-00-1310
46	1	RIGHT DOOR	IR2818-00-1600

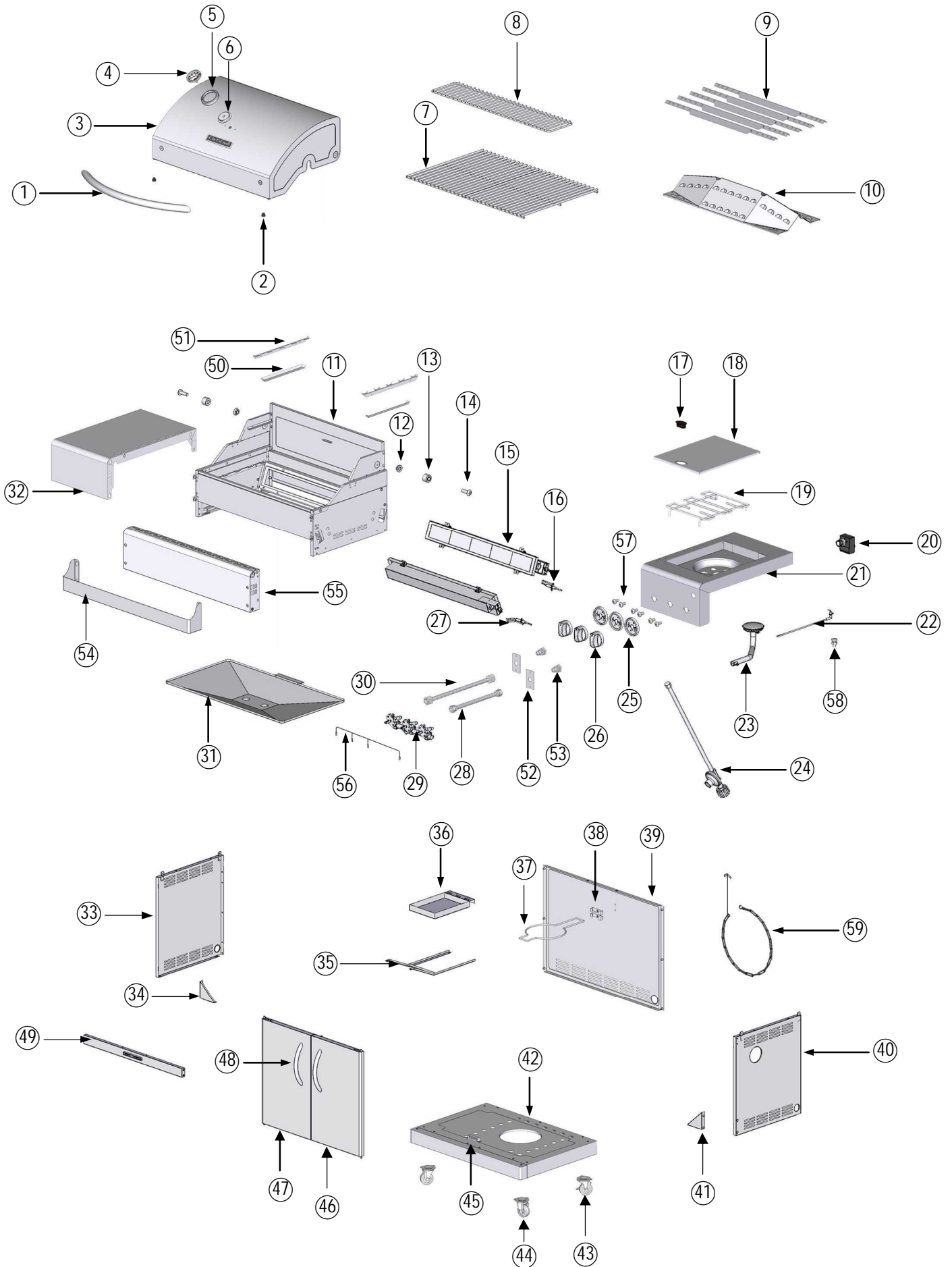
Key	Qty	Description	Manufacturer Part #
47	1	LEFT DOOR	IR2818-00-1400
48	2	DOOR HANDLE	RT2417S-00-1610
49	1	BEAM	IR2818-00-1500
50	2	REFLECTOR SUPPORT	IR2818-00-2143
51	2	HEAT TENT SUPPORT	IR2818-00-2102
52	2	NOZZLE BASE	IR2818-00-6201
53	2	INFRARED NOZZLE	IR2818-00-8005
54	1	CONTROL PANEL	IR2818-00-3211
55	1	CONDIMENT BOX	IR2818-00-3110
56	1	CONTINUOUS IGNITION WIRE	IR2818-00-8009
57	6	SCREW	M4x8
58	1	SCREW AND NUT	5/32-32UNC
59	1	HAND IGNITOR	3019L-1710
	1	HARDWARE PACK	IR2818-1-HARDWARE
	1	PRODUCT MANUAL	IR2818-1-MANUAL

If you are missing hardware or have damaged parts after unpacking grill, call 1-888-804-7455 for replacement.

To order replacement parts after using grill, call 1-888-804-7455

NOTE: Some grill parts shown in the assembly steps may differ slightly in appearance from those on your particular grill model. However, the method of assembly remains the same.

PARTS DIAGRAM



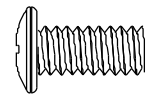
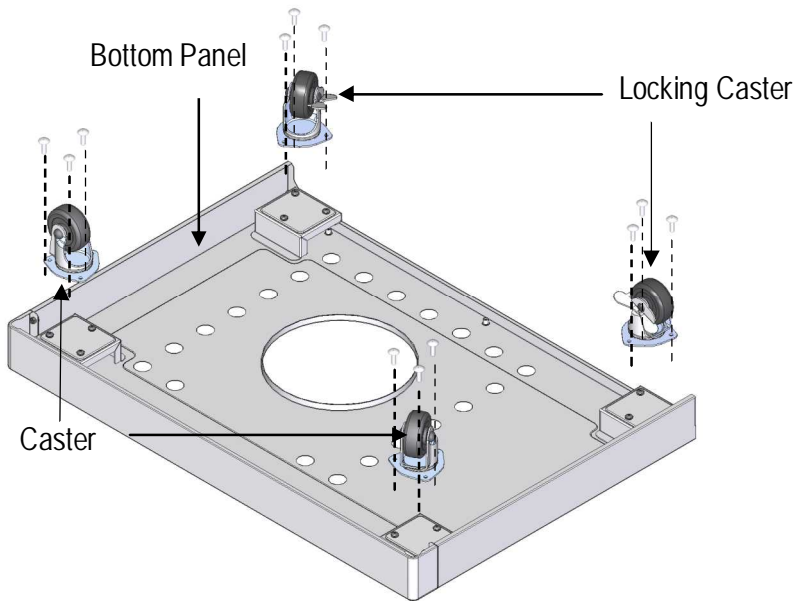
UNPACKING

After removing all parts and hardware pack from the top of the shipping box, and when the only part showing is the grill head, use a box cutting knife to slice down the sides of the box. Be careful of staples along shipping box edges. Remove the corner supports from the box and the styrofoam side pieces from the grill head. With the aid of an assistant, rest grill head on one of the styrofoam side pieces to protect grease tray. Allow grill head to rest on cardboard until placing grill head on cart in Step 10. Open grill lid and remove all packaged parts and packing material.

WARNING: Assemble and place the grill on a flat level surface. Compare the parts and hardware with the list and diagrams. Do not attempt assembly if any part is missing or damaged.

1

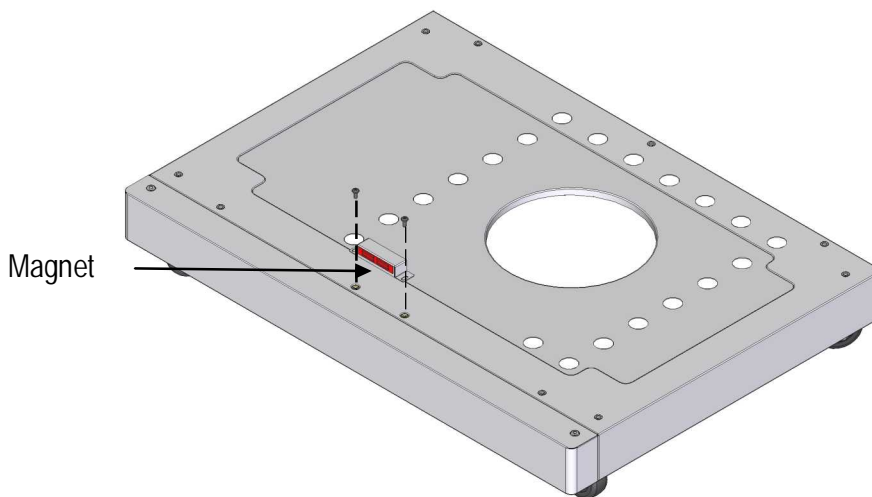
Attach the casters and locking casters to the bottom panel with 12 screws; note that the locking casters are at the back of the grill. Then, turn the bottom panel over.



3/16-24 x 1/2" Screw
Qty. 12

2

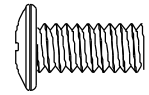
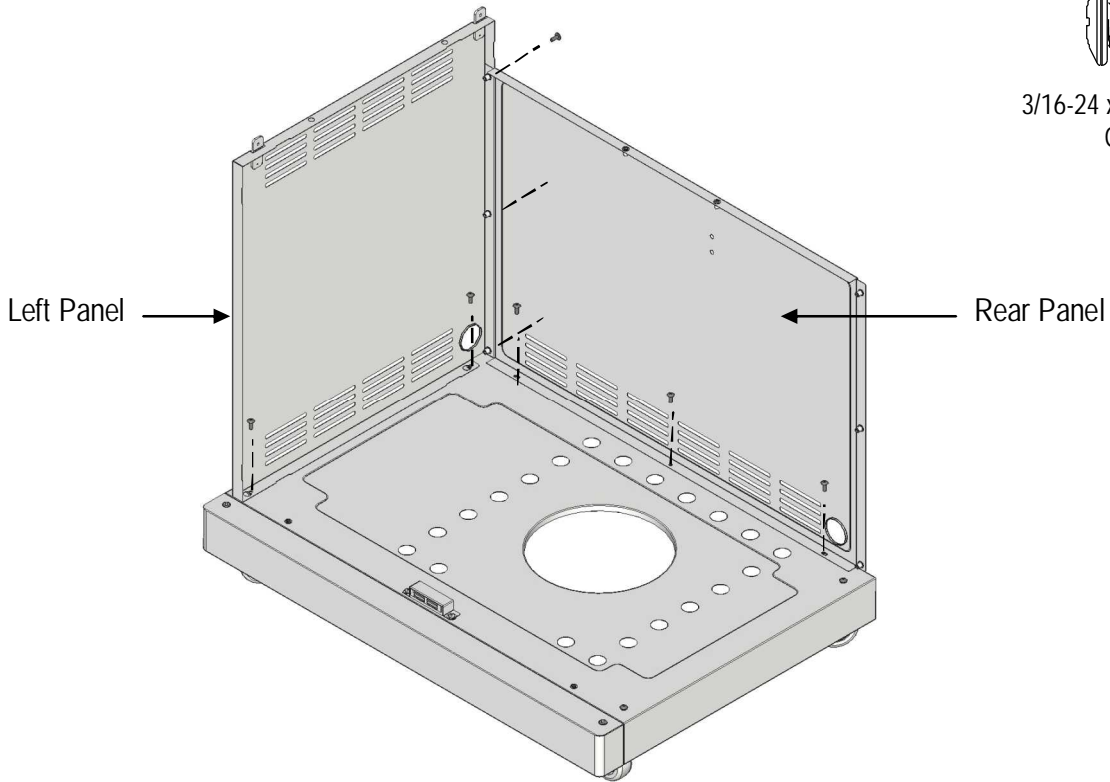
Attach the magnet to the bottom panel with two 5/32-32 x 3/8" screws.



5/32-32 x 3/8" Screw
Qty. 2

3

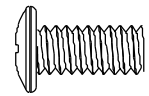
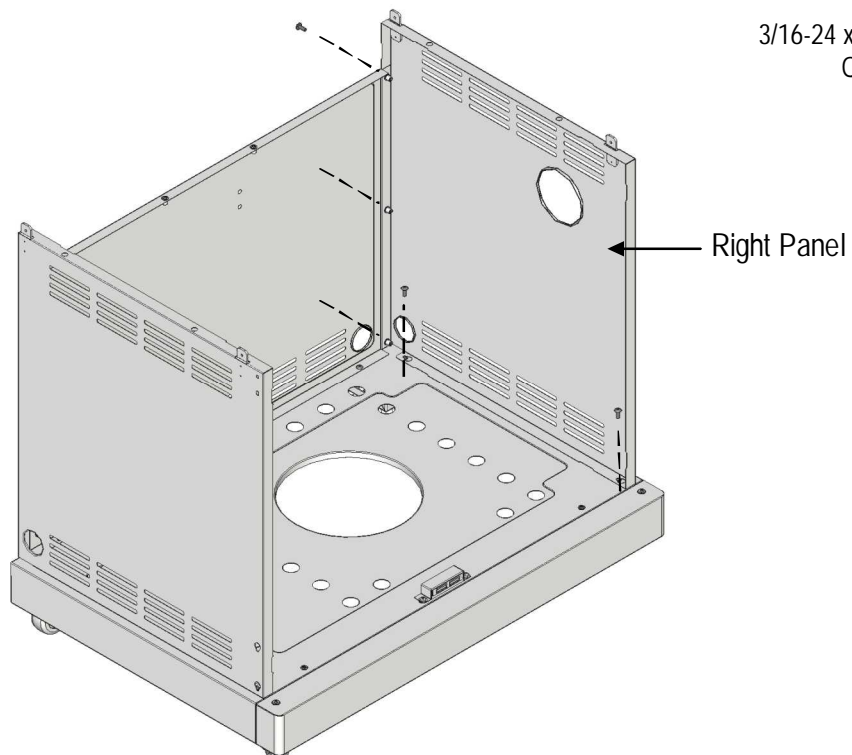
Attach the left panel and rear panel to the bottom panel. There are 3 screws for the rear panel, 5 screws for the bottom panel.



3/16-24 x 1/2" Screw
Qty. 8

4

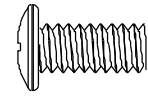
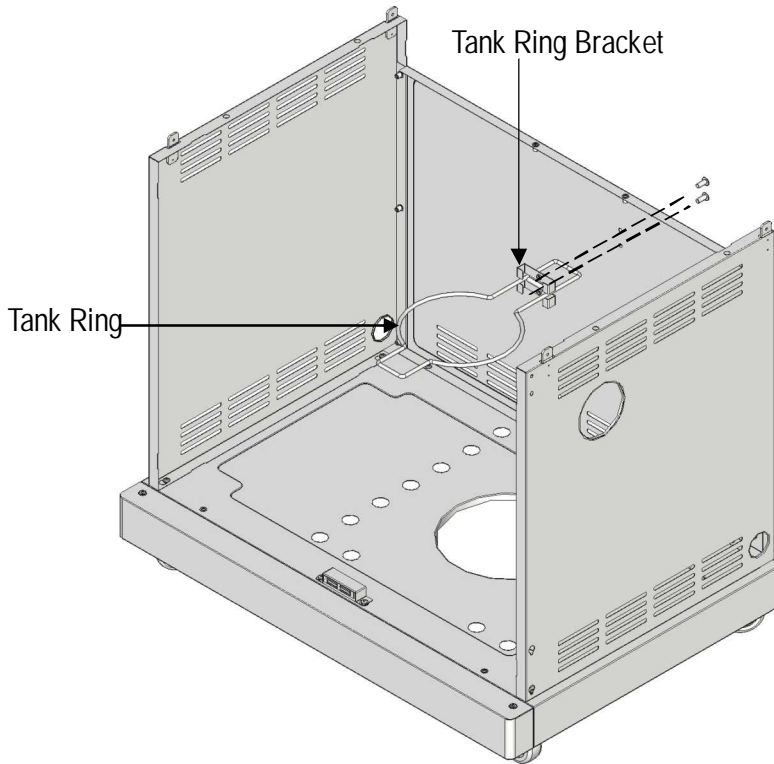
Attach the right panel to the bottom panel and rear panel with 5 screws. There are 2 screws for bottom panel and 3 screws for rear panel.



3/16-24 x 1/2" Screw
Qty. 5

5

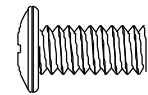
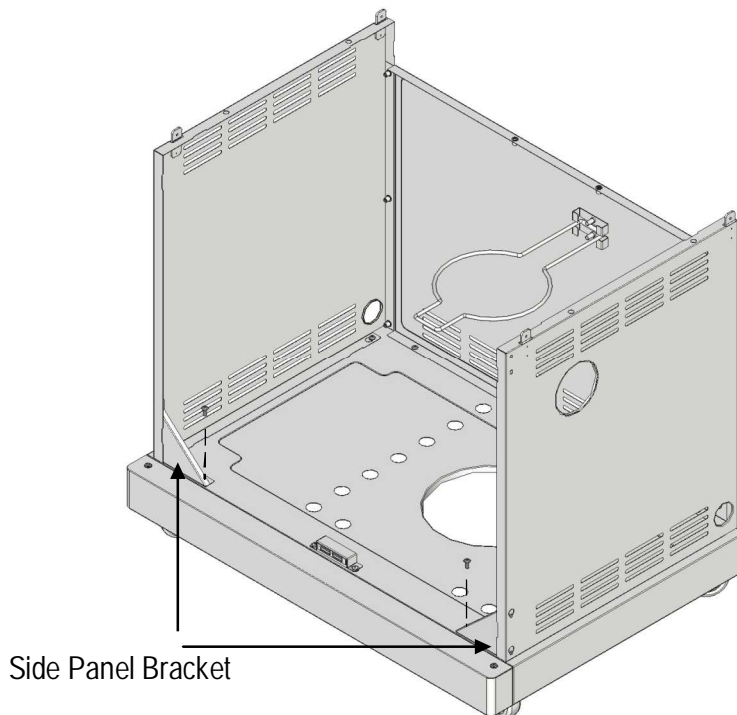
Slide the tank ring bracket onto the end of the tank ring. Attach the bracket to the rear panel with 2 screws.



1/4-20 x 5/8" Screw
Qty. 2

6

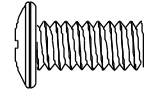
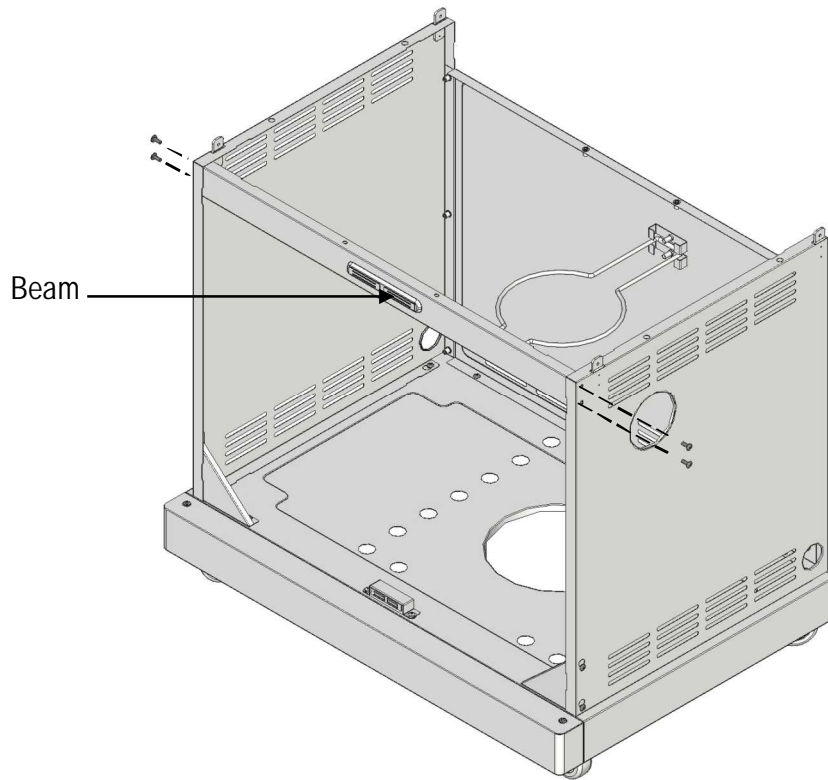
Loosen the two screws in the right and left side panel brackets 3 to 4 turns. Insert the screws through the 2 holes at the base of each side panel and slide the bracket down until it stops. Attach each bracket to the bottom panel with one 3/16-24 x 1/2 in. screw. Retighten the 4 loosened screws.



3/16-24 x 1/2" Screw
Qty. 2

7

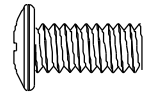
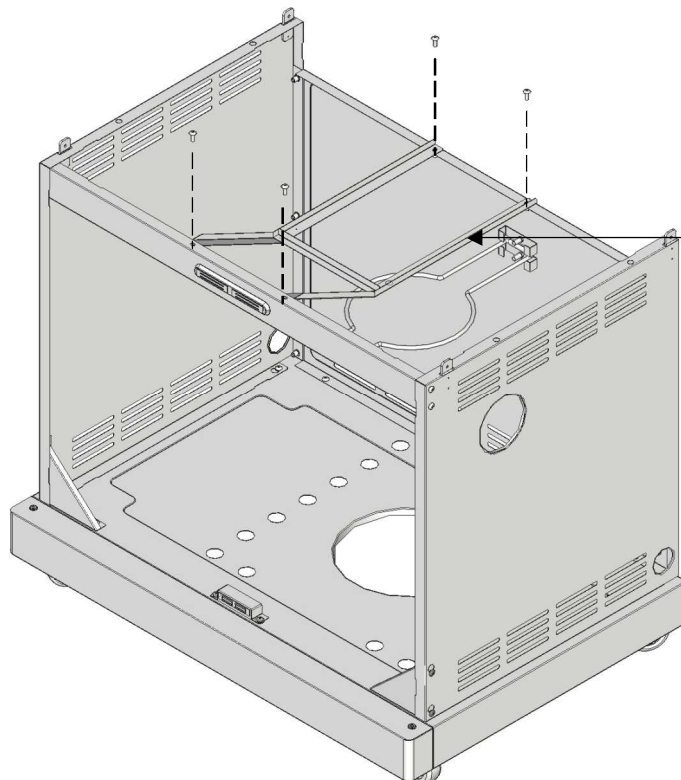
Attach the beam to the side panels with 4 screws.



3/16-24 x 1/2" Screw
Qty. 4

8

Attach the drip cup support to the rear panel and beam with 4 screws, 2 screws for the rear panel and 2 screws for the beam.

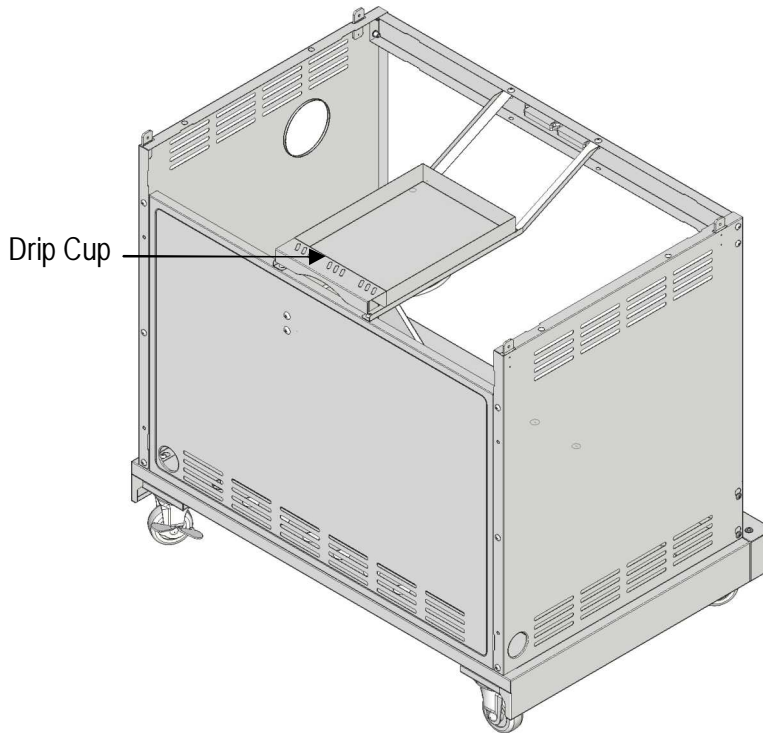


3/16-24 x 1/2" Screw
Qty. 4

Drip Cup Support

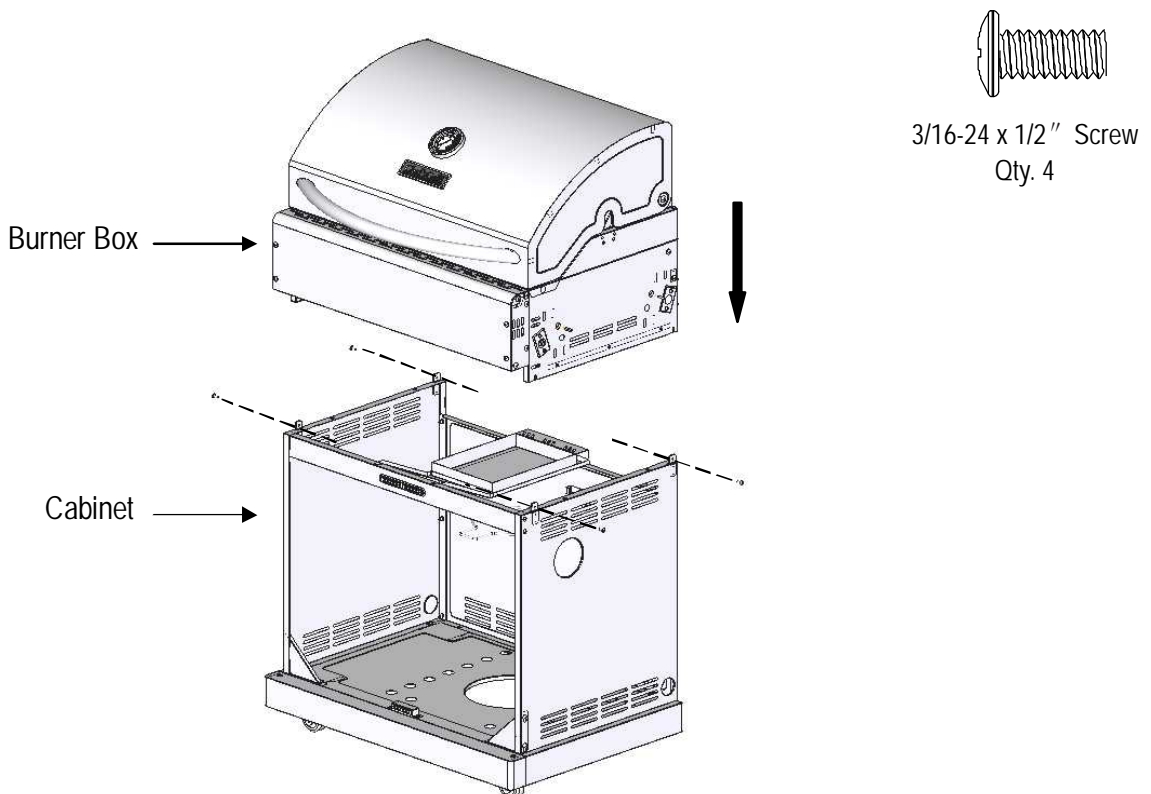
9

Put the drip cup on the drip cup support.



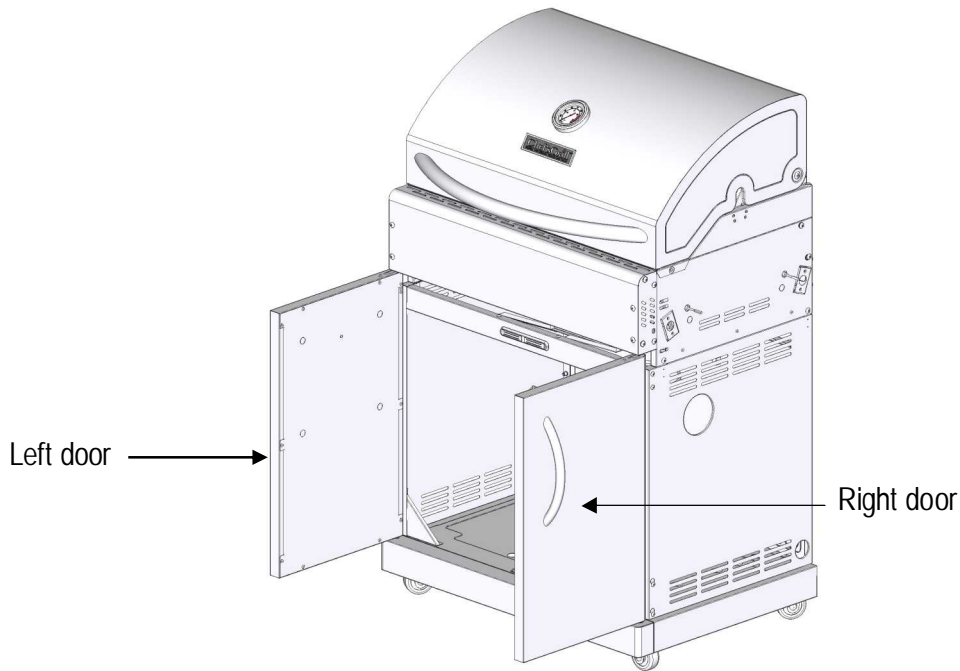
10

Cut tie wraps holding regulator underneath grill head control panel. Be careful not to cut igniter wires or the tie wraps holding the igniter wires in place. With the aid of an assistant, lift and place grill head onto cart. Grill head sides go over attachment tabs on cart. Make sure that regulator and igniter wires hangs inside the cart. Attach head to cart with 4 screws as shown.



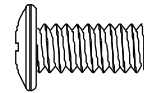
11

For each door, insert bottom hinge pin into hole on bottom panel. Push down on top hinge pin to insert into hole in bottom corner of control panel. Adjust magnets on the bottom panel and front beam to align the magnets with doors, and then tighten magnet screws.

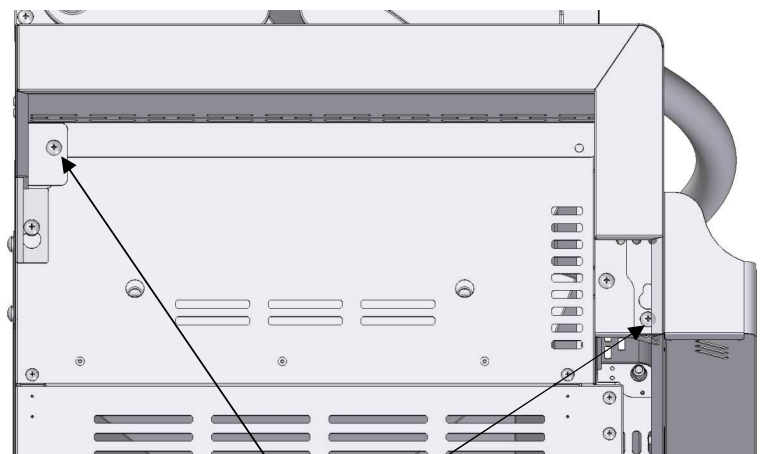
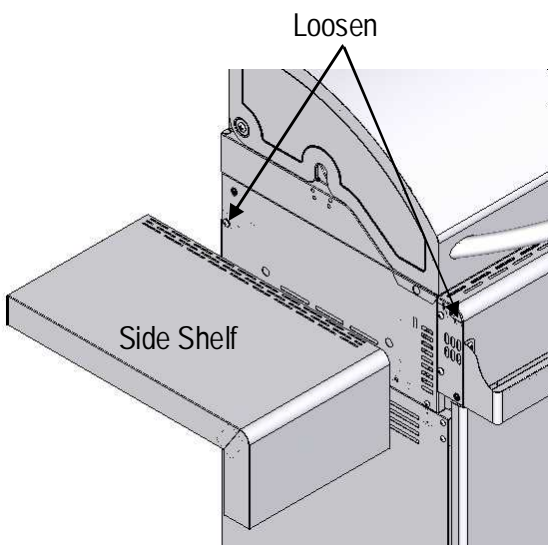
**12**

Side Shelf

Loosen the two screws attached to the left panel of the burner box 3 to 4 turns as shown. Hang the side shelf by the slotted holes in its side onto the loosened screws. Fasten the side shelf with two 1/4-20 x 5/8" screws as shown. Tighten the previously loosened screws.



1/4-20 x 5/8" Screw
Qty. 2

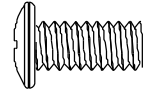


1/4-20 x 5/8" Screw

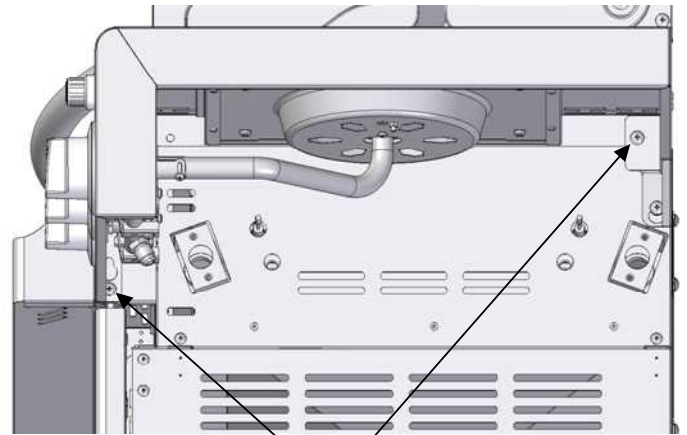
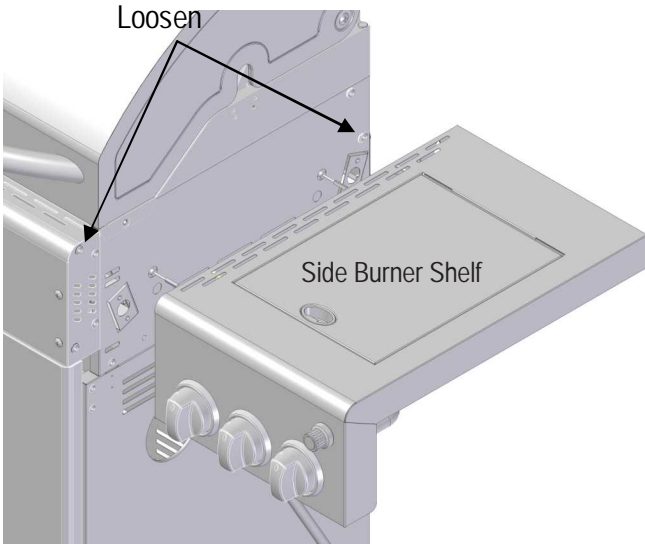
13

Side Burner Shelf

Loosen the two screws attached in the right panel of the burner box 3 to 4 turns as shown. Hang the side burner shelf by the slotted holes in its side onto the two loosened screws. Fasten the side burner shelf with two 1/4-20 x 5/8" screws as shown. Tighten the two previously loosened screws.



1/4-20 x 5/8" Screw
Qty. 2



1/4-20 x 5/8" Screw

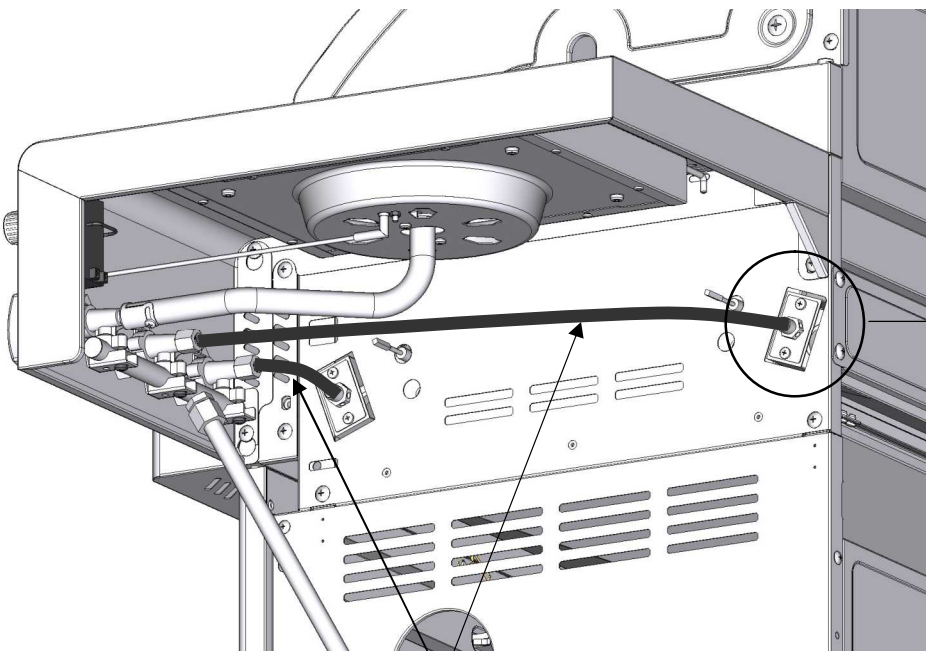
14

Side Burner Shelf

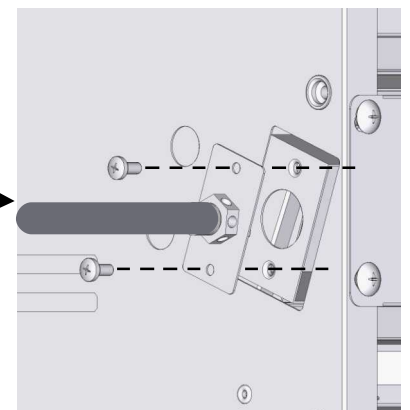
Connect the infrared burner hose to the infrared burner with 4 screws.



5/32-32 x 3/8" Screw
Qty. 4



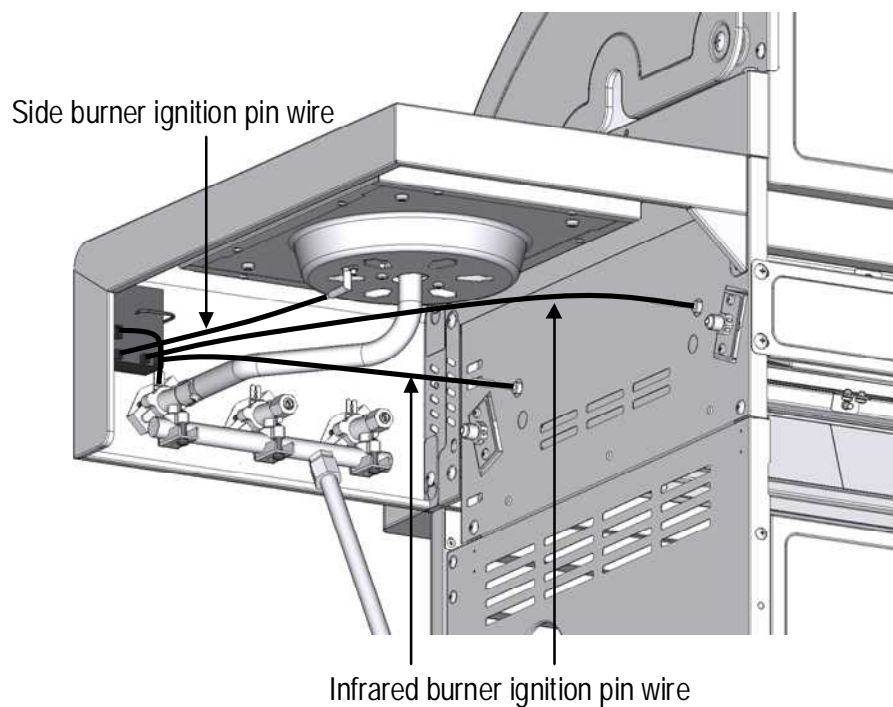
Infrared burner hose



15

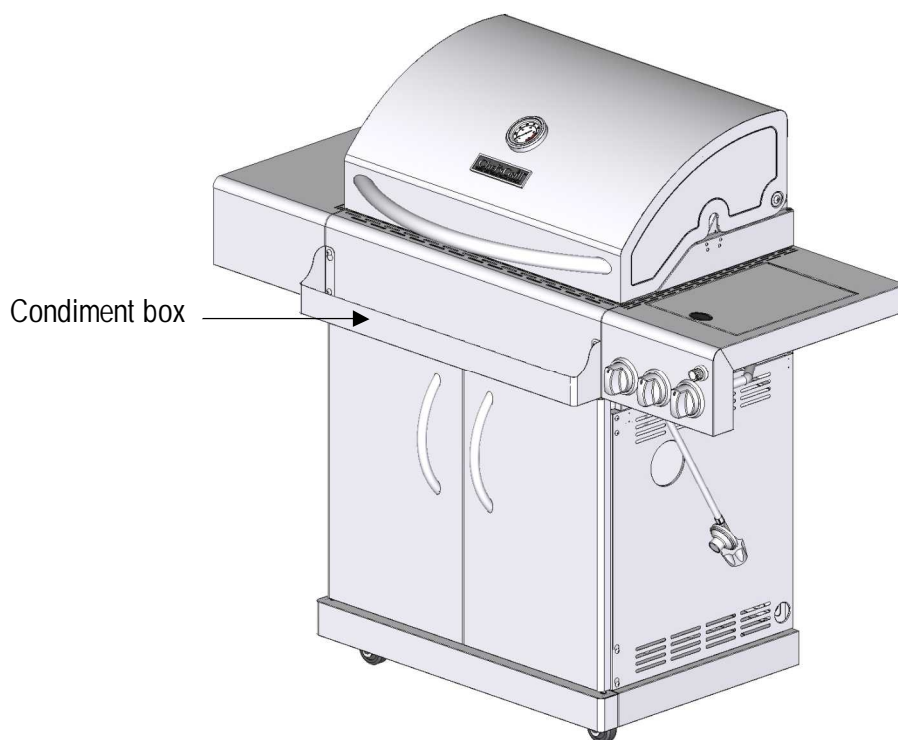
Ignition Wires

Plug the infrared burner ignition pin wires and side burner ignition pin wire into the sockets in the igniter as shown.



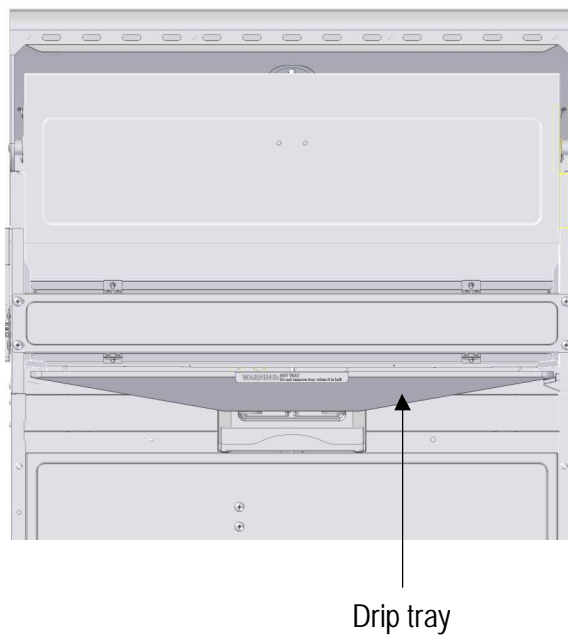
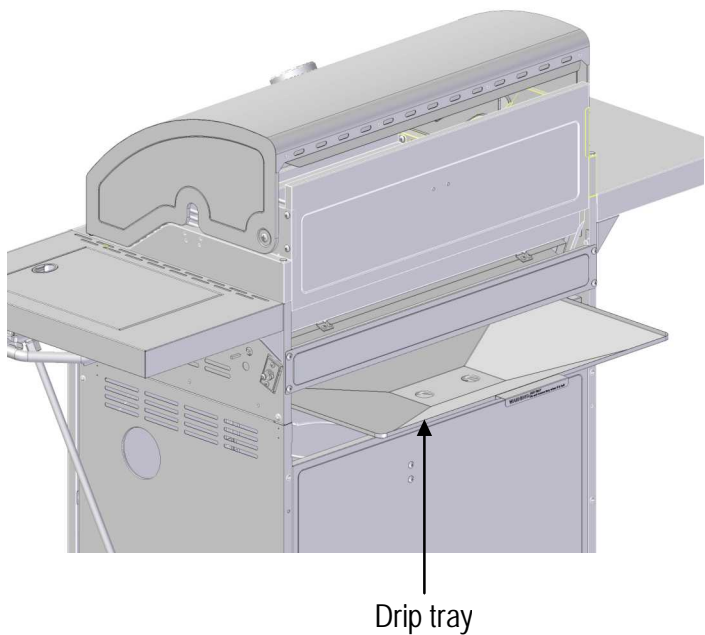
16

Attach the condiment box to the control panel by the slotted holes.



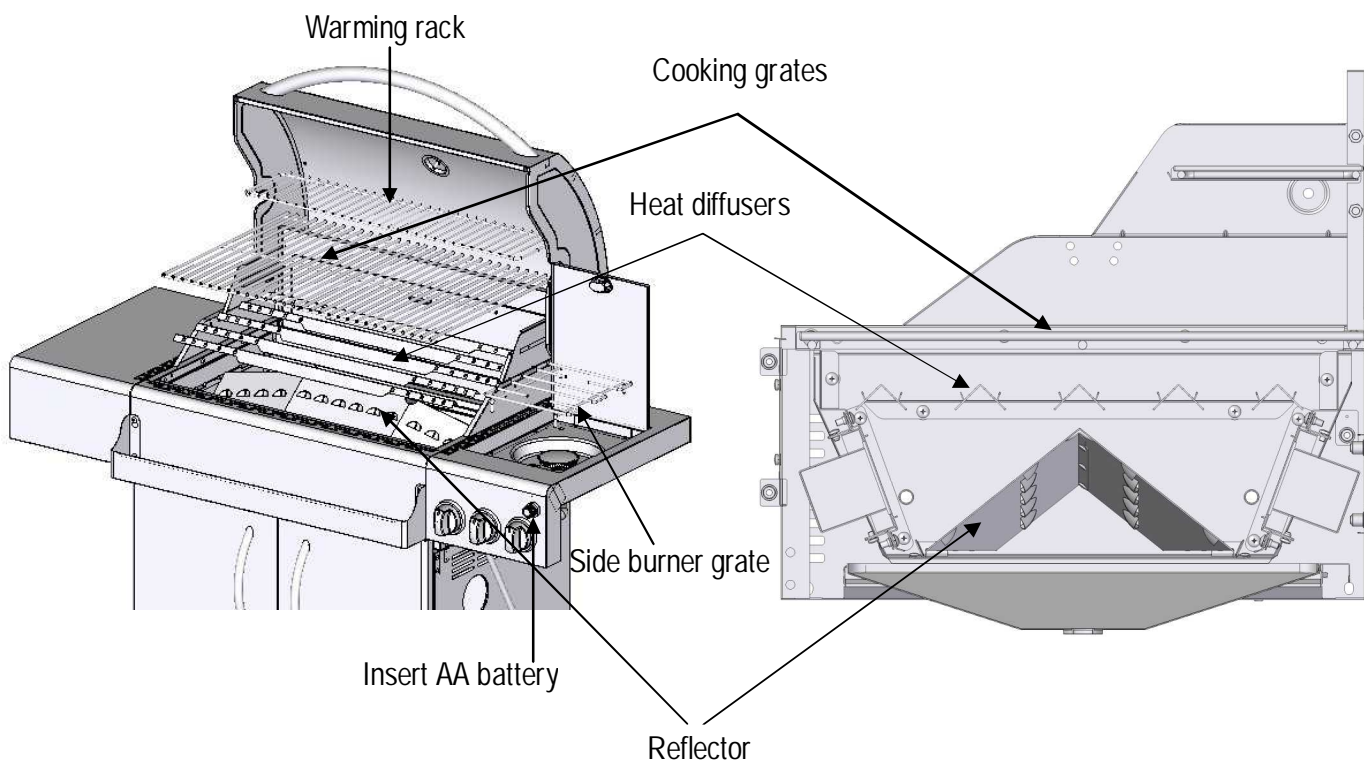
17

Adjust the drip tray until it is secure in the middle bottom of the fire box. This is an "easy clean" tray; it slides easily out of the back of the grill for cleaning. **WARNING:** Make sure the drip tray and drip cup are properly installed before turning burners on.



18

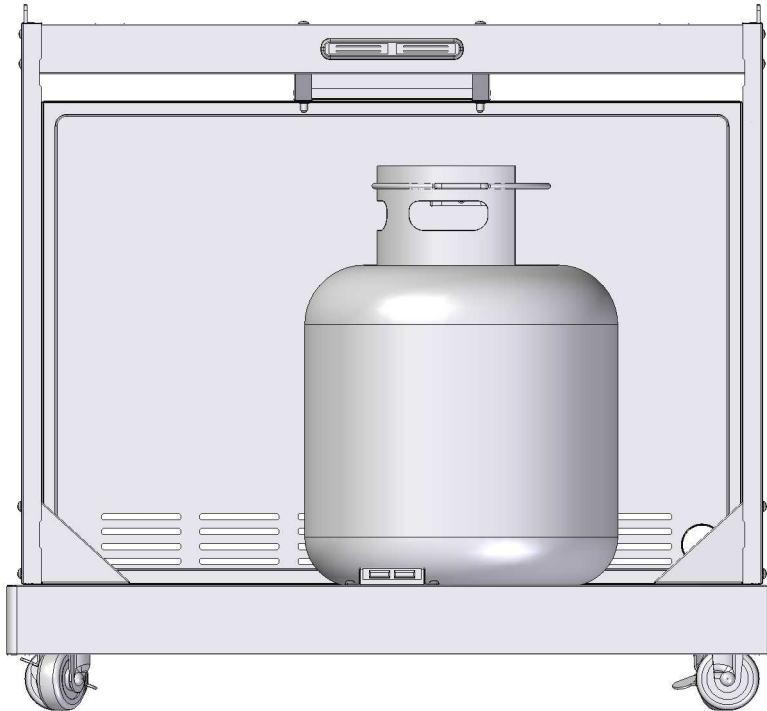
Install the Reflector, Heat Diffusers, Cooking Grates, Side Burner Grate, Warming Rack and Battery. Position the heat diffusers, cooking grates, side burner grate and warming rack as shown. **NOTE:** The diffuser edges fit into slots at left and right of burner box. Fit the back of the warming rack into the clip on the back wall of the burner box. Remove battery cap and insert AA battery with positive pole facing out. Replace cap.



19

LP Tank Installation

Open front doors of cart. Set base of tank into tank support with tank collar opening facing to the right as shown. Set the tank ring hold the tank collar. Connect the regulator to tank (see page 5 of Use and Care section).



Grill Specifications

Net weight: 117 lb.

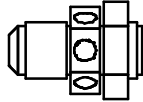

Package weight: 141 lb.

Size: 47.3" H x 53.6" W x 23.6" D

Warming Rack Area (sq. in.): 168

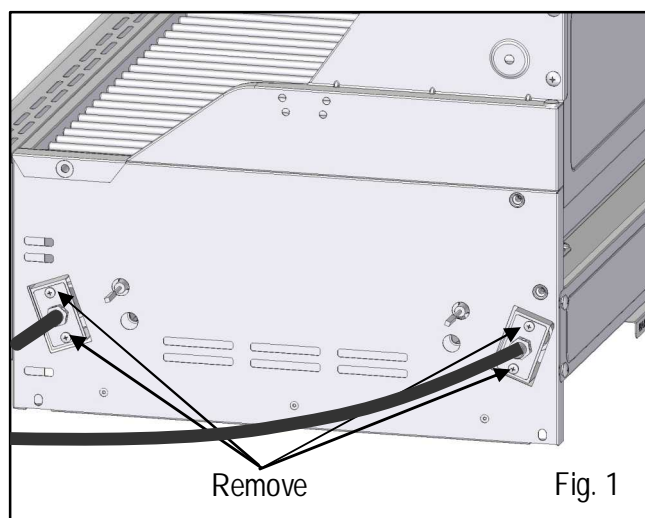
NATURAL GAS CONVERSION INSTRUCTIONS

The NGKIT-01 contains orifices for various grill models. Please select the orifices as listed and discard the rest. Follow the conversion instruction provided with the kit.

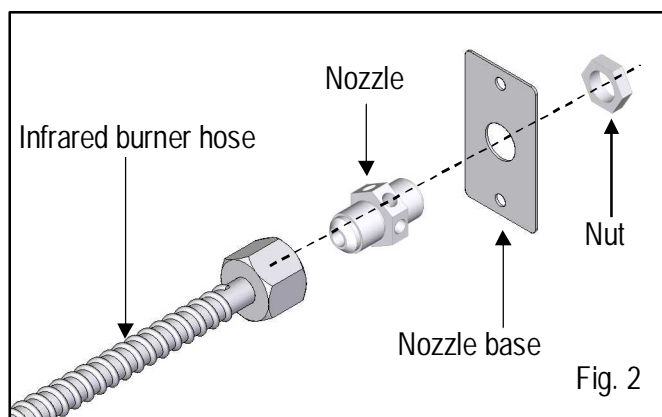
Model	Main burner 1.81mm	Side burner 1.31mm
		
IR2818-1	2 pc	1 pc

Main Burner Conversion

1. Remove the screws at the right panel of the burner box to detach the infrared burner nozzle assembly from the burner box. (Fig. 1)

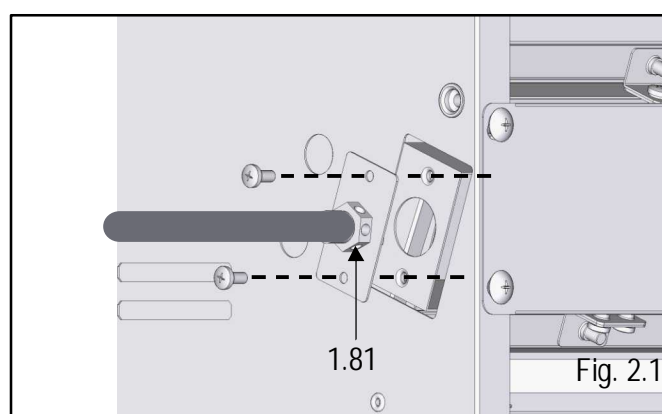


2. Remove the LPG nozzle from the infrared burner hose. Remove the nut to detach the nozzle base from the nozzle. (Fig. 2)



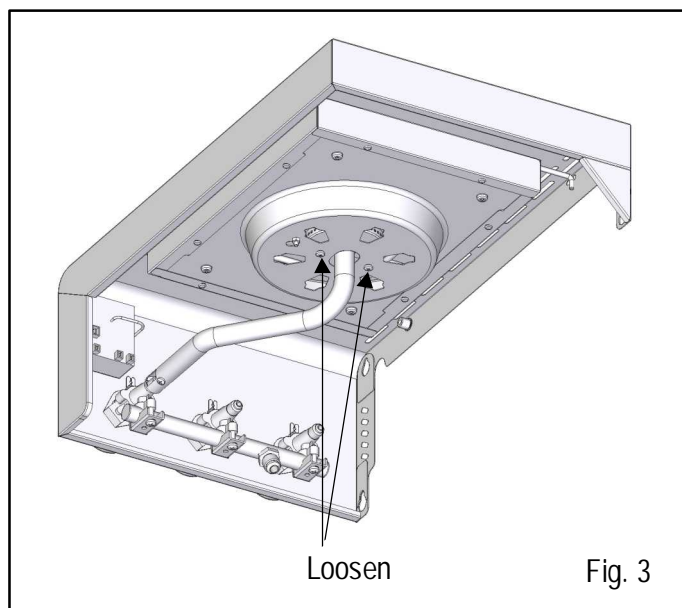
3. Replace the LPG nozzle with the NG nozzle. Install the NG nozzle with the nozzle base to the infrared burner hose. Then, attach the NG nozzle assembly to the burner box with screws.

Make sure you are using the correct nozzle, which is marked "1.81". (Fig. 2.1)

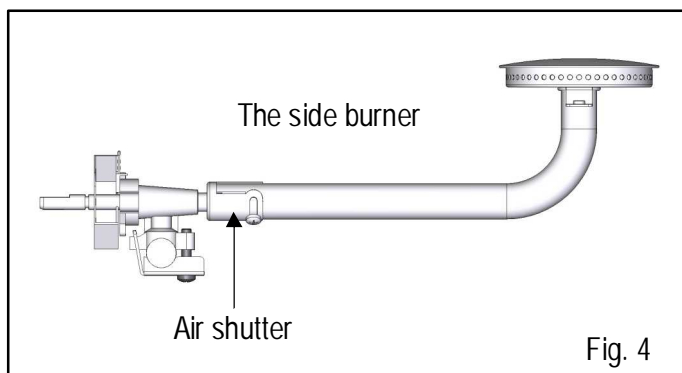


Side Burner Conversion

1. Loosen the side burner screws to expose the side burner valve.
Insert the tool onto the valve and unscrew orifice from end of valve. Put the new orifice into the orifice removal tool and tighten the new orifice into the valve.
Make sure you are using the correct orifice, which is marked "1.31". (Fig. 3)

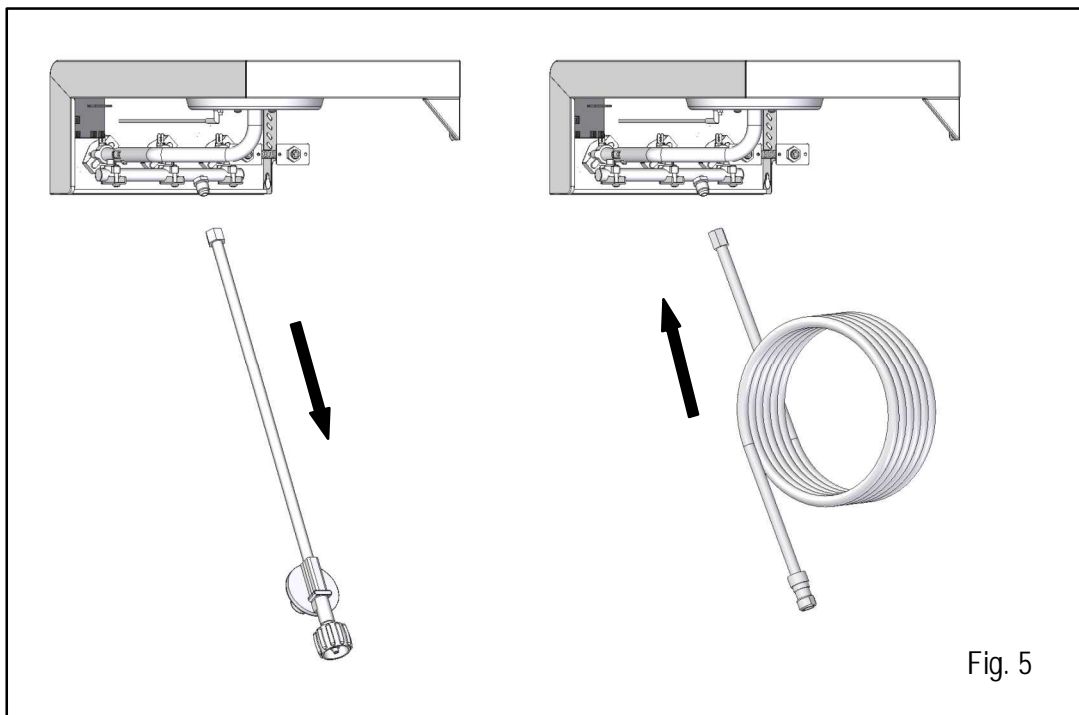


2. Loosen the air shutter screw. Rotate the air shutter to change the opening from the LP to the NG setting. Tighten the screw to fix shutter in position. Engage burner tube over valve as shown. (Fig. 4)
LP: Full open
NG: 1/4" open



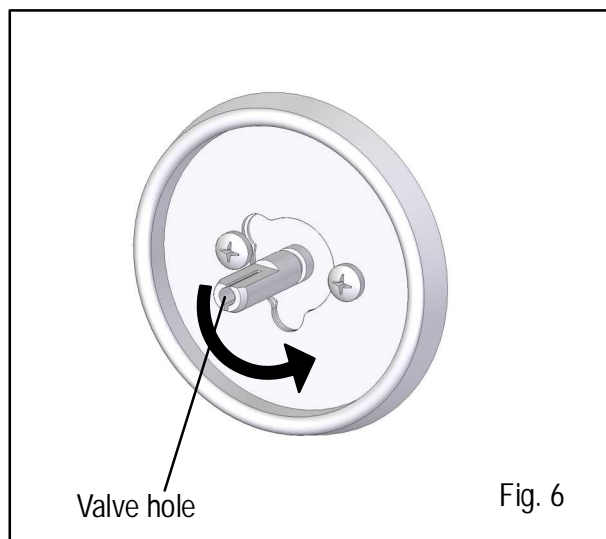
Natural Gas Hose Connection

Remove the LP gas hose and regulator using a wrench, and attach the natural gas hose in its place. (Fig. 5)



Adjust valve control screw

Pull all the knobs off of valve stems. Adjust the screw in the valve hole using the flathead screwdriver. Turn screws two complete turns counterclockwise. (Fig. 6)



Press all the knobs back onto valve stems.
After all the conversions are complete, return heat diffusers to firebox, followed by the grates and warming rack.

TROUBLESHOOTING

Problem	Possible Cause	Corrective Action
Grill or side burner will not light	<ol style="list-style-type: none"> 1. The ignition wire came off the electrical igniter. 2. The distance between the ignition pin and the burner is greater than 0.1-0.2 inch(side burner). 3. The ignition wire is broken. 4. The battery has died. 5. The battery is in the wrong polarity. 6. The electrode tip does not produce sparks at the burner port. 7. No gas supplied. 8. Air shutter opening is too big. 	<ol style="list-style-type: none"> 1. Reconnect the ignition wire to the electrical igniter. 2. Loosen the ignition pin and adjust the distance, then fasten it again. 3. Call customer service for a replacement ignition wire. 4. Install a new AA battery. 5. Change the battery polarity. 6. Reinstall the electrode. 7. Turn on the regulator valve. 8. Loosen the air shutter and adjust the opening to a smaller size.
Burner flame is yellow and gas odor can be smelled	<ol style="list-style-type: none"> 1. The air shutter opening is not properly set. 2. Spiders or insects block the air shutter. 3. Gas leaks 	<ol style="list-style-type: none"> 1. Loosen the air shutter and adjust the opening to have blue flames. 1/4 in. opening for LPG. 2. Clean blockages. 3. Check for the source of gas leaks.
Excessive flare-up	<ol style="list-style-type: none"> 1. Grilling fatty meats while knobs on "HIGH". 2. Spray water on gas flames. 3. Hood closed when grilling. 	<ol style="list-style-type: none"> 1. Grill fatty meats when the grids are cold while the knobs are on the "LOW" setting. Move the meats to the warming rack if flare up continues until flame settles down. 2. Never spray water on gas flames. 3. Hood up when grilling.

Problem	Possible Cause	Corrective Action										
Burner blows out	<ol style="list-style-type: none"> 1. LP tank is empty. 2. Burner is not aligned with the control valve. 3. Gas supply is not sufficient. 	<ol style="list-style-type: none"> 1. Refill the LP Tank. 2. Install the burner correctly. 3. Check the gas supply hose and make sure there are no leaks and no knots. 										
Low heat with the knob in "HI" position	<ol style="list-style-type: none"> 1. Ports are blocked. 2. LP tank has run out. 	<ol style="list-style-type: none"> 1. Clear ports of any obstructions. 2. Refill the LP tank. 										
Low heat, LP gas	The propane regulator assembly incorporates an excess flow device designed to supply the grill with sufficient gas flow. Rapid changes in pressure can trigger the excess flow device, providing a low flame and low temperature.	<p>Please follow these instructions:</p> <ol style="list-style-type: none"> 1. Make sure all burners are "OFF". 2. Open the tank valve and wait 5 minutes. 3. Light the burner one at a time following the lighting instructions listed on the door liner. 										
Sudden drop in gas flow or low flame	<ol style="list-style-type: none"> 1. Out of gas. 2. Excess flow valve tripped. 3. Vapor lock at coupling nut/LP cylinder connection. 	<ol style="list-style-type: none"> 1. Check for gas in LP cylinder. 2. Turn off knobs, wait 30 seconds and light grill. If flames are still low, turn off knobs and LP cylinder valve. Disconnect regulator. Reconnect regulator and leak test. Turn on LP cylinder valve, wait 30 seconds and then light grill. 3. Turn off knobs and LP cylinder valve. Disconnect coupling nut from cylinder. Reconnect and retry. 										
Low heat, natural gas	Gas pressure is significantly affected by gas line and length of gas line from house gas line.	<p>Check your gas line and make corrections by following the chart below.</p> <table border="1" data-bbox="879 1541 1410 1868"> <thead> <tr> <th colspan="2" data-bbox="879 1541 1410 1615">From House to Grill</th> </tr> <tr> <th data-bbox="879 1615 1070 1671">Distance</th> <th data-bbox="1070 1615 1410 1671">Tubing Size</th> </tr> </thead> <tbody> <tr> <td data-bbox="879 1671 1070 1727">Up to 25 ft.</td> <td data-bbox="1070 1671 1410 1727">3/8 in. diameter</td> </tr> <tr> <td data-bbox="879 1727 1070 1783">26 -50 ft.</td> <td data-bbox="1070 1727 1410 1783">1/2 in. diameter</td> </tr> <tr> <td data-bbox="879 1783 1070 1868">51 -100 ft.</td> <td data-bbox="1070 1783 1410 1868">2/3 in. of run 3/4 in. 1/3 in. of run 1/2 in.</td> </tr> </tbody> </table>	From House to Grill		Distance	Tubing Size	Up to 25 ft.	3/8 in. diameter	26 -50 ft.	1/2 in. diameter	51 -100 ft.	2/3 in. of run 3/4 in. 1/3 in. of run 1/2 in.
From House to Grill												
Distance	Tubing Size											
Up to 25 ft.	3/8 in. diameter											
26 -50 ft.	1/2 in. diameter											
51 -100 ft.	2/3 in. of run 3/4 in. 1/3 in. of run 1/2 in.											

Sagittarius Sporting Goods
c/o JDS
108 Leventis Drive.
Columbia, SC 29209, USA



2-BRÛLEUR INFRAROUGE PROPANE LIQUIDE GAZ GRILL

MODÈLE: IR2818-1



AVERTISSEMENT

Une installation, un ajustement, une modification, une utilisation ou un entretien inadéquat peut causer des blessures ou des dommages matériels.
Lisez attentivement le manuel d'instructions avant d'installer ou d'entretenir cet appareil.



AVERTISSEMENT

1. Ne stockez pas ni n'utilisez pas d'essence ou toute autre vapeur ou tout autre liquide inflammable à proximité de cet appareil ou de tout autre appareil.
2. Tout réservoir de gaz non branché ne doit pas être entreposé à proximité de cet appareil ou de tout autre appareil.



DANGER

Si vous sentez une odeur de gaz :

1. Coupez l'alimentation en gaz de l'appareil.
2. Éteignez toute flamme nue.
3. Ouvrez le couvercle.
4. Si l'odeur persiste, tenez-vous à distance de l'appareil et appelez immédiatement le fournisseur de gaz ou le service d'incendie.



AVERTISSEMENT

Pour usage à l'extérieur seulement







JOIGNEZ VOTRE REÇU ICI

Numéro de série _____ Date d'achat _____



Des questions, des problèmes, des pièces manquantes? Avant de retourner l'article au détaillant, appelez notre service à la clientèle au 1-888-804-7455, entre 8 h et 20 h (HNE), du lundi au vendredi.

	DANGER	
<p>Si vous sentez une odeur de gaz :</p> <ol style="list-style-type: none"> 1. Coupez l'alimentation en gaz de l'appareil. 2. Éteignez toute flamme nue. 3. Ouvrez le couvercle. 4. Si l'odeur persiste, éloignez-vous de l'appareil et appelez immédiatement le fournisseur de gaz ou le service d'incendie. 		

	AVERTISSEMENT	
<ol style="list-style-type: none"> 1. Ne rangez pas ou n'utilisez pas d'essence ou d'autres liquides ou vapeurs inflammables à proximité de cet appareil ou de tout autre appareil. 2. Ne rangez aucune bouteille de propane liquide non raccordée (au barbecue) à proximité de cet appareil ou de tout autre appareil. 		

Pour obtenir de l'aide et des pièces, communiquez avec le centre de service pour barbecues.

Si vous avez des questions ou si vous avez besoin d'aide pendant l'assemblage de ce produit, veuillez composer le 1-888-804-7455.

Fiche du produit

IMPORTANT : Veuillez noter les renseignements ci-dessous concernant votre produit :

Numéro de modèle _____ Numéro de série _____ Le numéro de série figure sur l'étiquette du barbecue. Date d'achat _____

	MISE EN GARDE	
<p>Pour un usage résidentiel seulement. N'utilisez pas ce barbecue pour la cuisson à des fins commerciales.</p>		



Mesures de sécurité pour l'installation

- Utilisez le barbecue, tel qu'il a été acheté, seulement avec du gaz propane liquide et l'ensemble régulateur/soupape fourni. Vous devez vous procurer un nécessaire de conversion afin que le barbecue puisse fonctionner au gaz naturel.
- L'installation du barbecue doit être conforme aux codes locaux ou, en l'absence de codes locaux, soit à la norme nationale des États-Unis sur les gaz combustibles ANSI Z223.1/NFPA 54 (*National Fuel Gas Code*) et au Code d'installation du gaz naturel et du propane CSA B149.1, soit au Code sur le stockage et la manipulation du propane CSA B149.2, ou encore à la norme relative aux véhicules récréatifs ANSI A 119.2/NFPA 1192 (*Standard for Recreational Vehicles*) ainsi qu'aux normes CSA Z240 RV, Code pour véhicules récréatifs, selon le cas.
- Tous les accessoires électriques (par exemple le tournebroche) doivent être mis à la terre conformément aux codes locaux, ou en l'absence de tels codes, au Code national de l'électricité, ANSI/NFPA 70, ou au Code canadien de l'électricité, CSA C22.1. Gardez les cordons électriques et les tuyaux d'alimentation en gaz à distance des surfaces chaudes.
- Ce barbecue est homologué uniquement pour une utilisation aux États-Unis et au Canada. Ne le modifiez pas pour l'utiliser dans un autre lieu. Une telle modification représenterait un risque pour la sécurité.

Symboles relatifs à la sécurité

Vous trouverez ci-dessous une explication du sens de chacun des symboles. Lisez et suivez toutes les consignes qui apparaissent dans le présent guide.

	DANGER	
<p>DANGER : Indique une situation dangereuse imminente qui, si elle n'est pas évitée, entraînera la mort ou des blessures graves.</p>		

	AVERTISSEMENT	
<p>AVERTISSEMENT : Indique une situation potentiellement dangereuse qui, si elle n'est pas évitée, entraînera la mort ou des blessures graves.</p>		

	MISE EN GARDE	
<p>MISE EN GARDE : Indique une situation potentiellement dangereuse ou une pratique non sécuritaire qui, si elle n'est pas évitée, pourrait causer des blessures mineures ou modérément graves.</p>		

TABLE DES MATIÈRES



Pour votre sécurité.....	32
Centre de services pour barbecues.....	32
Renseignements relatifs à la garantie.....	32
Symboles de sécurité.....	32
Mesures de sécurité pendant l'installation.....	32
Garantie sur les barbecues.....	34
Utilisation et entretien.....	35-41
Nécessaire de conversion au gaz naturel	42
Liste des pièces.....	43
Schéma des pièces.....	44
Assemblage.....	45-54
Instructions pour la conversion.....	55-57
Dépannage.....	58-59

AVERTISSEMENT

PROPOSITION 65 DE L'ÉTAT DE CALIFORNIE



1. Les produits dérivés de la combustion produits lors de l'utilisation du présent produit contiennent des produits chimiques reconnus par l'État de Californie comme étant cancérigènes, pouvant causer des malformations congénitales et autres problèmes de reproduction.
2. Le présent produit contient des substances chimiques, dont le plomb et des composés de plomb, reconnus par l'État de Californie comme étant cancérigènes, pouvant causer des malformations congénitales et autres problèmes de reproduction.

Veillez vous laver les mains après manipulation dudit produit.

AVERTISSEMENT

DANGER D'INCENDIE DE GRAISSE

- La fermeture du couvercle du grill ne pourra pas éteindre l'incendie de graisse. Pour des raisons de sécurité, les barbecues sont bien ventilés
- Veuillez ne pas utiliser de l'eau sur un feu de graisse. Cela peut occasionner des blessures graves. En cas de feu de graisse, veuillez porter des gants pour protéger les mains et fermer les perilla de contrôle et le détendeur PL.
- Veuillez toujours surveiller le barbecue pendant le préchauffage ou pendant que vous brûlez les résidus alimentaires sur HI. Si le barbecue n'est pas nettoyé de façon régulière, il peut causer un feu de graisse susceptible d'endommager le produit.

WARNING

Le couvercle du brûleur latéral doit être ouvert lorsque le brûleur latéral est en fonctionnement. Pour l'installateur: Laissez ce manuel avec le consommateur. Pour le consommateur: Conservez ce manuel pour référence ultérieure

N.B: L'utilisation de l'eau en bouteille pour éteindre la flamme pourra provoquer un choc thermique sur les surfaces en porcelaine du barbecue, puis fissurer la porcelaine. Cette eau peut suinter à travers ces fissures et provoquer la roue du métal sous-jacent.

GARANTIE

GARANTIE LIMITÉE

Avec PREUVE DE VENTE à l'appui, la garantie suivante s'applique lorsque cet appareil est correctement installé, utilisé et entretenu conformément à toutes les instructions fournies.

VALIDE POUR UN AN à compter de la date de vente de cet appareil, cette garantie couvre les défauts de matériaux ou de fabrication. Un appareil défectueux sera réparé ou le remplacement gratuitement, selon le choix du vendeur.

VALIDE POUR CINQ ANS à compter de la date de vente, tout brûleur en acier inoxydable rouillé ou brûle en entier sera remplacé gratuitement. Si cette rouille ou brûlure apparaît dans la première année suivant l'achat, un nouveau brûleur vous sera installé gratuitement. Si cette rouille ou brûlure apparaît après la première année, un nouveau brûleur vous sera mis à votre disposition. Mais son installation sera à vos frais. Vous êtes responsable du coût du travail d'installation du brûleur après la première année de la vente.

Les piles de l'allumeur, l'écaillage de la peinture, la décoloration et la formation de rouille à la surface des pièces du grill, dans la mesure où ces pièces sont des pièces consommables s'usant normalement pendant la période de garantie ou dans des conditions pouvant résulter d'un usage normal, d'un accident ou d'un mauvais entretien, sont exclus de la garantie.

L'ensemble des garanties appliquées sera nul si cet appareil est utilisé à des fins autres que l'utilisation domestique privée.

Cette garantie couvre **UNIQUEMENT** les défauts de matériel et de fabrication, et **NE S'APPLIQUE PAS** pour:

1. Des articles consommables pouvant s'user par une utilisation normale au cours de la période de garantie, y compris, mais non limité aux piles, vissage, ampoules de base et des revêtements de surface ou de finitions.
2. Un technicien pour nettoyer ou entretenir cet appareil, ou de guider l'utilisateur sur la bonne installation de l'appareil, le fonctionnement et son entretien.
3. Les appels de service visant à corriger l'installation de l'appareil effectué par des agents de service autorisés, ou pour la réparation des problèmes liés aux fusibles, disjoncteurs, câblage de la maison, et les systèmes de plomberie ou de fourniture de gaz résultant d'une telle installation.
4. Dégât sur ou défaillance de cet appareil résultant d'une installation effectuée par des techniciens non autorisés, y compris l'installation qui ne respecte pas les codes électriques, de gaz ou de plomberie.
5. Dégât sur ou défaillance de cet appareil, y compris la décoloration ou la rouille de surface, résultante d'une utilisation et d'un entretien non conforme à toutes les instructions fournies.
6. Dégât sur ou défaillance de cet appareil, y compris la décoloration ou la rouille de surface, résultant d'un accident, une modification, un abus, une mauvaise utilisation ou une utilisation autre que celle autorisée.
7. Dégât sur ou défaillance de cet appareil, y compris la décoloration ou la surface de la rouille, causée par l'utilisation de détergents, nettoyeurs, produits chimiques ou ustensiles autres que ceux recommandés dans toutes les instructions fournies avec le produit.
8. Dégât sur ou défaillance de cet appareil suite à une force majeure ou d'autres catastrophes, telles que les inondations, les incendies ou la tempête.
9. Dégât sur ou défaillance des pièces ou systèmes résultant des modifications non autorisées apportées à cet appareil.
10. Les entretiens sur un appareil n'ayant pas de plaque et de modèle et série, ou celles-ci ayant été altérées, ou encore avec de logo de certification méconnaissable.

Clause d'exonération de responsabilité au titre des garanties implicites; limitation des recours

Le seul et unique recours du client dans le cadre de cette garantie limitée est la réparation du produit ou son remplacement comme susmentionné. Les garanties implicites, y compris les garanties de qualité marchande ou d'adéquation à un usage particulier, sont limitées à un an sur l'appareil et cinq ans sur dommages les brûleurs ou sur la période la plus courte autorisée par la loi. Le vendeur ne sera pas tenu pour responsable des directs ou indirect. Certaines provinces interdisent l'exclusion ou la limitation de dommages directs et indirects, ou la limitation de la durée des garanties de qualité marchande ou d'adéquation à un usage particulier, ainsi les limitations ou exclusions susmentionnées peuvent ne pas s'appliquer dans votre cas.

Cette garantie ne s'applique que lorsque cet appareil est utilisé aux États-Unis.

Cette garantie vous accorde des droits légaux précis auxquels peuvent s'ajouter d'autres droits pouvant varier d'une juridiction à l'autre.

UTILISATION ET ENTRETIEN



- N'entreposez **JAMAIS** de bouteille de GPL de recharge sous ce barbecue, à proximité de celui-ci ou dans un endroit fermé.



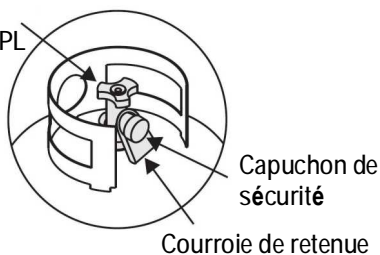
- Ne remplissez jamais la bouteille à plus de 80 % de sa capacité.
- Un incendie peut se produire et entraîner des blessures graves ou la mort si les deux directives précédentes ne sont pas observées attentivement.
- La soupape de sécurité d'une bouteille trop remplie ou entreposée de façon inadéquate peut laisser fuir du gaz. Cette fuite pourrait causer un incendie intense avec risques de dommages matériels, de blessures graves, voire de mort.
- Si vous voyez, sentez ou entendez une fuite de gaz, éloignez-vous immédiatement de la bouteille de GPL et du barbecue et appelez votre service d'incendie.

Démontage, transport et entreposage de la bouteille de GPL

• Tournez tous les boutons de commande ainsi que le robinet de la bouteille en position OFF (fermé). Tournez à la main l'écrou d'accouplement dans le sens contraire des aiguilles d'une montre; n'utilisez pas d'outils pour débrancher la bouteille. Retirez le tuyau de la bouteille de GPL du collet en le soulevant, puis soulevez la bouteille et retirez-la du support. Installez le capuchon de sécurité sur le robinet de la bouteille de GPL. Utilisez toujours le capuchon et la courroie de retenue fournis avec le robinet.

Ne pas utiliser le capuchon de sécurité selon les consignes peut entraîner des blessures graves ou des dommages matériels importants.

Robinet de bouteille de GPL



- Une bouteille de GPL qui a été débranchée pour le transport ou pour l'entreposage doit comporter un capuchon de sécurité. N'entreposez pas de bouteille de GPL dans un endroit fermé comme un abri d'auto, un garage, un porche, une terrasse recouverte ou tout autre édifice. Ne laissez jamais une bouteille de GPL dans un véhicule qui pourrait surchauffer sous le soleil.

- N'entreposez pas de bouteille de GPL dans un endroit où des enfants jouent.
- Bouteille de GPL
- La bouteille de GPL utilisée avec votre barbecue doit répondre aux exigences suivantes :
 - Utilisez seulement une bouteille de GPL respectant les mesures obligatoires suivantes : diamètre de 30,5 cm (12 po), hauteur de 45,7 cm (18 po) et capacité maximale de 9 kg (20 lb).
 - Les bouteilles de GPL doivent être fabriquées et étiquetées conformément aux spécifications du U.S. Department of Transportation (DOT) pour de telles bouteilles ou, pour le Canada, à la norme CAN/CAS-B339, (Bouteilles et tubes utilisés pour le transport des marchandises dangereuses) de Transport Canada (TC). Voir l'étiquette sur le collet de la bouteille de GPL.
 - Le robinet de la bouteille de GPL doit comporter :
 - Un orifice de sortie de type 1 compatible avec le régulateur ou le barbecue.
 - Une soupape de sécurité et de décharge.
 - Un dispositif de protection contre le remplissage excessif (DPRE) homologué UL. Ce dispositif de sécurité est identifié par une poignée triangulaire exclusive. Utilisez seulement une bouteille de GPL dotée de ce type de robinet.
 - La bouteille de GPL doit permettre l'élimination des vapeurs et doit comporter un collet de protection du robinet de la bouteille. Gardez toujours la bouteille de GPL en position verticale pendant l'utilisation, le transport ou l'entreposage.



Poignée du dispositif de protection contre le remplissage excessif

Bouteille de GPL en position verticale pour permettre l'élimination des vapeurs

GPL (Gaz propane liquide)

- Le GPL est non toxique, inodore et incolore lorsqu'il est produit. Pour votre propre protection, une odeur est ajoutée (semblable à l'odeur de chou pourri) afin que vous puissiez le sentir.
- Le GPL est très inflammable et peut s'allumer subitement lorsqu'il est présent dans l'air.

Remplissage de la bouteille de GPL

- Ne faites appel qu'aux services de distributeurs autorisés et expérimentés.
- Le distributeur doit purger la nouvelle bouteille avant le premier remplissage.
- Il ne doit **JAMAIS** remplir la bouteille de GPL à plus de 80 % de sa capacité. Le volume de propane dans la bouteille peut varier en fonction de la température.
- La présence de givre sur le régulateur indique un remplissage excessif. Fermez immédiatement le robinet de la bouteille et appelez votre distributeur de GPL local pour obtenir de l'aide.
- Ne relâchez pas de propane liquide (GPL) dans l'air. Cette pratique est dangereuse.
- Pour vider le gaz contenu dans la bouteille de GPL, demandez l'aide d'un distributeur de GPL ou du service d'incendie local. Consultez l'annuaire téléphonique sous « Gaz propane » pour trouver le distributeur de GPL autorisé le plus près de chez-vous.

Échange de bouteille de GPL

- Plusieurs détaillants de barbecues offrent la possibilité de profiter d'un service d'échange de bouteilles vides. Ne faites appel qu'aux services d'entreprises reconnues qui soumettent leurs bouteilles de gaz à des inspections et à des essais et qui certifient leurs bouteilles de gaz. **N'échangez votre bouteille que contre une bouteille équipée d'un dispositif de protection contre le remplissage excessif décrit dans la section « Bouteille de GPL » du présent guide.**
- Gardez toujours la bouteille de GPL neuve ou échangée en position verticale pendant son utilisation, son transport ou son entreposage.
- Procédez à un **essai d'étanchéité** de la bouteille neuve ou échangée **AVANT** de la brancher au barbecue.

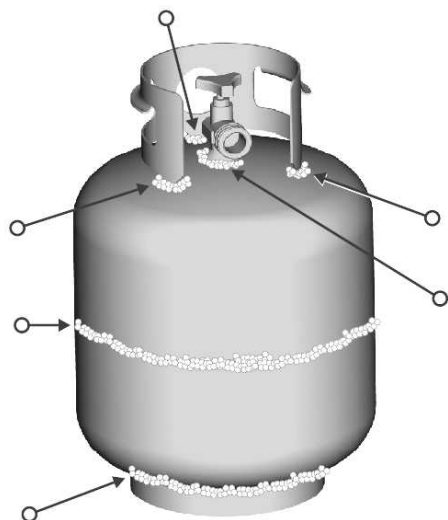
Essai d'étanchéité de la bouteille de GPL

Pour votre propre sécurité

- Il est nécessaire de procéder à un essai d'étanchéité chaque fois que la bouteille de GPL est échangée ou remplie.
- Ne fumez pas pendant l'essai d'étanchéité.
- N'utilisez pas de flamme nue pour détecter une fuite de gaz.
- L'essai d'étanchéité du barbecue doit se faire à l'extérieur, dans un endroit bien aéré, loin des sources d'inflammation comme des appareils ménagers fonctionnant au gaz ou à l'électricité. Durant l'essai d'étanchéité, gardez le barbecue loin des flammes nues ou des étincelles.
- Utilisez un pinceau propre et une solution composée de savon doux et d'eau à parts égales. Appliquez la solution savonneuse sur les endroits indiqués par des flèches sur l'illustration ci-dessous. La formation de bulles indique la présence de fuites.

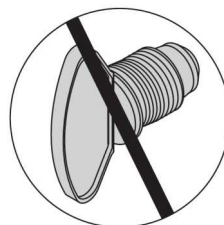
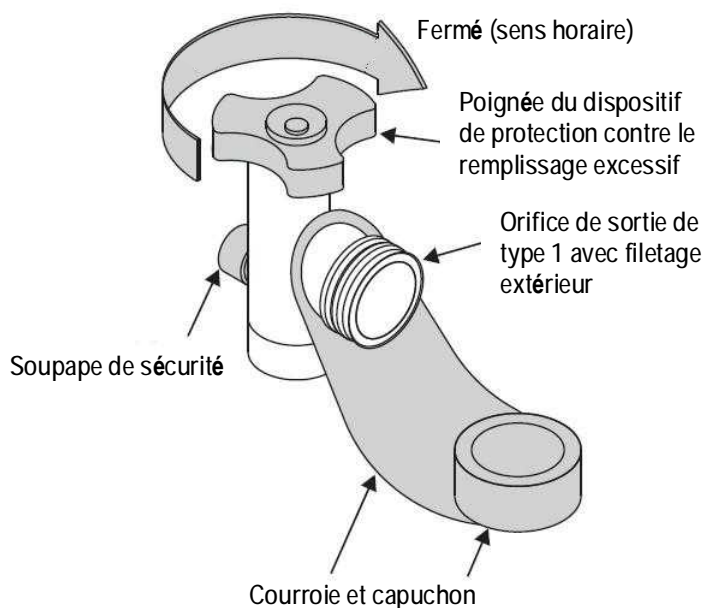
	AVERTISSEMENT	
<p>Si des bulles se forment, n'utilisez pas la bouteille de GPL et ne la déplacez pas. Appelez un fournisseur de GPL ou votre service d'incendie.</p>		

- ▲ **N'utilisez pas de produits d'entretien ménager.** Ils pourraient endommager des composants du circuit de gaz (robinet/tuyau/régulateur).



Connexion du régulateur à la bouteille de GPL

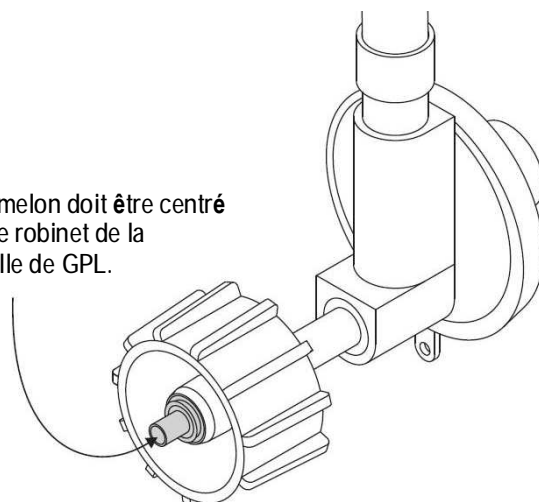
1. La bouteille de GPL doit être reliée au barbecue de façon sécuritaire. (Reportez-vous à la section sur l'assemblage.)
2. Tournez tous les boutons de commande en position d'arrêt (OFF).
3. Fermez la bouteille de GPL en tournant à fond la poignée du dispositif de protection contre le remplissage excessif dans le sens des aiguilles d'une montre.
4. Retirez le capuchon de protection du robinet de la bouteille. Utilisez toujours le capuchon et la courroie de retenue fournis avec le robinet.



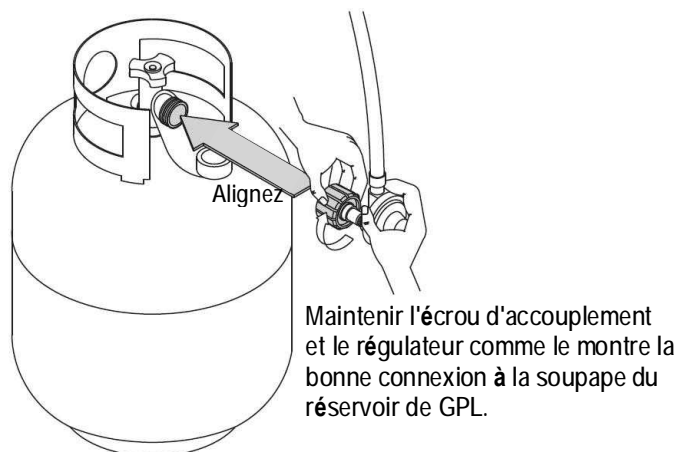
N'insérez pas de bouchon de transport de produits pétroliers (pièce en plastique avec filetage extérieur) dans l'orifice du robinet de type 1. Il empêcherait le dispositif de sécurité du robinet de fonctionner.

5. En tenant le régulateur, insérez le mamelon dans le robinet de la bouteille de GPL. Serrez l'écrou d'accouplement à la main, en tenant le régulateur aligné sur le robinet de la bouteille de GPL de manière à ne pas fausser le filetage.

Le mamelon doit être centré dans le robinet de la bouteille de GPL.



Essai d'étanchéité des robinets, des tuyaux et du régulateur



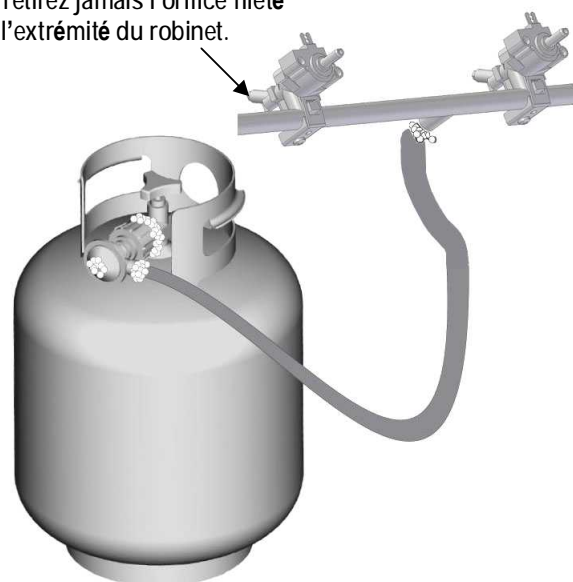
6. Serrez à fond l'écrou d'accouplement en le tournant dans le sens des aiguilles d'une montre. Le régulateur s'attachera de façon étanche au dispositif de non-retour du robinet de la bouteille de GPL, ce qui occasionnera une certaine résistance. Une rotation supplémentaire d'un demi à trois quart de tour est nécessaire pour achever le raccordement. Ne serrez qu'à la main; n'utilisez pas d'outils.

REMARQUE :

Si vous n'arrivez pas à terminer le raccordement, débranchez le régulateur et répétez les étapes 5 et 6. S'il vous est toujours impossible d'achever le raccordement, n'utilisez pas ce régulateur! Composez le 1-888-804-7455 pour obtenir de l'aide.

1. Tournez tous les boutons de commande du barbecue en position d'arrêt (OFF).
2. Assurez-vous que le régulateur est relié de façon étanche au robinet de la bouteille de GPL.
3. Ouvrez le robinet de la bouteille de GPL complètement en tournant la poignée du dispositif de protection contre le remplissage excessif dans le sens contraire des aiguilles d'une montre. Si vous entendez *un son strident*, fermez immédiatement le robinet du gaz. Ce son indique la présence d'une fuite importante dans le raccord. Corrigez le problème avant de poursuivre en communiquant avec le fabricant au numéro 1-888-804-7455 pour obtenir des pièces de rechange.
4. Appliquez la solution savonneuse sur les endroits où des bulles apparaissent sur l'illustration ci-dessous:

- ▲ Ne retirez jamais l'orifice fileté de l'extrémité du robinet.



5. Si des bulles se forment, c'est qu'il y a une fuite. Fermez immédiatement le robinet de la bouteille de GPL et resserrez les raccords. Si vous n'arrivez pas à arrêter les fuites, n'essayez pas de les colmater vous-même. Téléphonez au fabricant en composant le 1-888-804-7455 pour obtenir des pièces de rechange.
6. Fermez toujours le robinet de la bouteille de GPL après chaque essai d'étanchéité en tournant la poignée dans le sens des aiguilles d'une montre.

	DANGER	
<ul style="list-style-type: none">• N'insérez aucun outil ou corps étranger dans l'orifice du robinet ou dans la soupape de sécurité. Vous pourriez endommager le robinet et provoquer une fuite. Une fuite de propane peut causer une explosion, un incendie, des blessures graves ou la mort.		

	AVERTISSEMENT	
<ul style="list-style-type: none">• Ce barbecue n'est pas conçu pour être installé sur un bateau.• Ce barbecue n'est pas conçu pour être installé sur un véhicule récréatif.• Ne tentez jamais de raccorder ce barbecue au système de GPL autonome d'une caravane ou d'une autocaravane.• N'utilisez pas ce barbecue avant d'en avoir vérifié l'étanchéité.• Dès qu'une fuite est détectée, ARRÊTEZ toute activité et appelez le service d'incendie.• Si vous n'arrivez pas à arrêter une fuite de gaz, fermez immédiatement le robinet de la bouteille de GPL et appelez le fournisseur de GPL ou votre service d'incendie.		

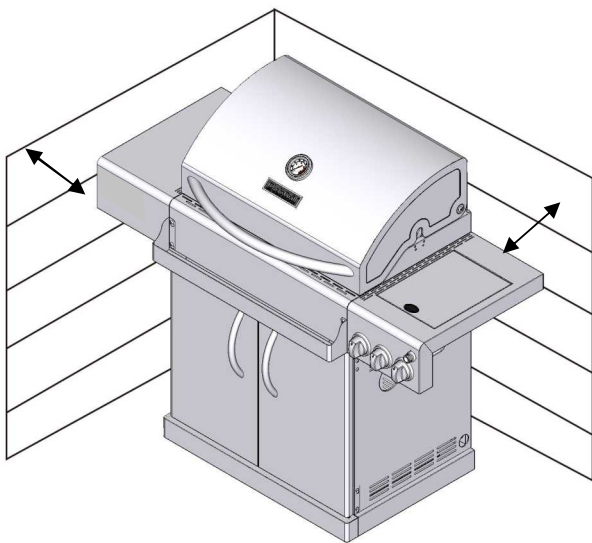


AVERTISSEMENT



Pour utiliser votre barbecue en toute sécurité et pour éviter des blessures graves :

- Ne laissez pas les enfants utiliser un barbecue ou jouer à proximité de celui-ci.
- Gardez l'espace autour du barbecue propre et libre de tout matériel inflammable.
- N'obstruez jamais les orifices sur les côtés et à l'arrière du barbecue.
- Vérifiez périodiquement les flammes des brûleurs.
- N'utilisez cet appareil que dans un endroit bien aéré. Ne l'utilisez JAMAIS dans un endroit fermé comme un abri d'auto, un garage, un porche, une terrasse recouverte ou sous toute structure surplombante quelle qu'elle soit.
- N'utilisez pas de charbon ni de briquettes en céramique dans un barbecue au gaz.
(À moins que les briquettes ne soient fournies avec votre barbecue.)
- Gardez une distance d'au moins 0,91 m (3 pi) entre le barbecue et tout mur ou toute surface.
Gardez une distance de 3,04 m (10 pi) entre le barbecue et tout objet inflammable ou toute source d'inflammation comme la veilleuse d'un chauffe-eau, un appareil électroménager sous tension, etc.



- **Résidents d'un immeuble d'habitation :**
Vérifiez auprès de la direction les exigences et les codes de prévention des incendies s'appliquant à l'utilisation d'un barbecue au gaz propane liquide de pétrole liquéfié dans votre immeuble d'habitation. Si l'utilisation du barbecue est permise, utilisez-le à l'extérieur et au rez-de-chaussée, à une distance de 0,91 m (3 pi) des murs ou des rampes. Ne l'utilisez pas sur ou sous un balcon.
- N'essayez JAMAIS d'allumer un brûleur si le couvercle est fermé. L'accumulation de gaz non brûlé à l'intérieur du barbecue constitue un danger.
- N'utilisez jamais le barbecue lorsque la bouteille de GPL n'est pas dans la position appropriée spécifiée dans les directives d'assemblage.
- Refermez toujours le robinet de la bouteille de GPL et enlevez l'écrou d'accouplement avant de déplacer la bouteille de sa position de fonctionnement.

Conseils de sécurité

- ▲ Avant d'ouvrir le robinet de la bouteille de GPL, vérifiez que l'écrou d'accouplement est bien serré.
- ▲ Lorsque vous n'utilisez pas le barbecue, tournez tous les boutons de commande et le robinet de la bouteille de GPL en position d'arrêt.
- ▲ Ne déplacez jamais le barbecue lorsqu'il est allumé ou encore chaud.
- ▲ Utilisez des ustensiles de cuisson à long manche et des gants de cuisine afin d'éviter les brûlures et les éclaboussures.
- ▲ Le brûleur latéral et la tablette latérale supportent une charge maximale de 4,54 kg (10 lb).
- ▲ Le plateau d'écoulement de la graisse doit être inséré dans le barbecue et vidé après chaque utilisation. Ne l'enlevez pas avant que le barbecue ne soit complètement refroidi.
- ▲ Nettoyez souvent le barbecue, de préférence après chaque utilisation. Si une brosse avec soies est employée pour nettoyer les surfaces de cuisson du barbecue, assurez-vous qu'aucune soie ne reste sur les surfaces avant de procéder à la cuisson. Il est déconseillé de nettoyer les surfaces de cuisson pendant que le barbecue est chaud.
- ▲ Si vous remarquez que de la graisse ou une autre matière chaude s'égoutte du barbecue sur le robinet, le tuyau ou le régulateur, coupez immédiatement l'alimentation en gaz. Déterminez l'origine du problème, corrigez-le, puis nettoyez et inspectez le robinet, le tuyau et le régulateur avant de continuer. Effectuez un essai d'étanchéité.
- ▲ Gardez les orifices d'aération du logement de la bouteille (chariot du barbecue) dégagés et libres de tout débris.
- ▲ N'entreposez pas d'objets ou de matériaux à l'intérieur du chariot du barbecue qui contribueraient à bloquer la circulation d'air dans la partie inférieure du panneau de commande ou du foyer.
- ▲ Le régulateur peut émettre un bourdonnement ou un sifflement en cours de fonctionnement. Cela n'affecte ni la sécurité ni le fonctionnement du barbecue.
- ▲ En cas de problème avec votre barbecue, consultez la section « Dépannage ».
- ▲ Si du givre se forme sur le régulateur, fermez le barbecue et le robinet de la bouteille de GPL immédiatement. Ce givre indique que la bouteille est défectueuse et qu'il ne faut l'utiliser avec aucun appareil. Retournez-la au fournisseur!



MISE EN GARDE



- Il est impossible d'étouffer les feux de graisse en fermant le couvercle. Les barbecues sont bien aérés pour des raisons de sécurité.
- Ne versez pas d'eau sur un feu de graisse. Cela pourrait causer des blessures. Si un feu de graisse se déclare, fermez les boutons et l'alimentation en gaz de la bouteille de GPL.
- Ne laissez jamais le barbecue sans surveillance lorsque vous le préchauffez ou que vous brûlez les résidus de nourriture au réglage maximum (HIGH). Si le barbecue n'a pas été nettoyé régulièrement, un feu de graisse peut se déclarer et pourrait endommager le produit.

Allumage du barbecue à l'aide de l'allumeur

1. Lisez toutes les instructions avant d'allumer votre barbecue.
2. Ouvrez le couvercle lorsque vous procédez à l'allumage.
3. Ouvrez le robinet de la bouteille de GPL ou de gaz naturel.
4. Enfoncez le bouton de commande d'un des brûleurs et tournez-le vers la gauche jusqu'à la position maximale « HI ». Maintenez le bouton enfoncé jusqu'à ce que le brûleur s'allume.

- Si l'allumage ne se produit pas dans les 5 secondes, fermez le bouton de commande du brûleur, attendez 5 minutes pour que le gaz puisse se dissiper et répétez les étapes d'allumage.
- Répétez l'étape 4 pour allumer les autres brûleurs.
REMARQUE : Si l'allumeur ne fonctionne pas, suivez les instructions sur l'allumage au moyen d'une allumette.



AVERTISSEMENT



Fermez les boutons de commande et le robinet de gaz de la bouteille ou de la source d'alimentation lorsque l'appareil n'est pas utilisé.



MISE EN GARDE

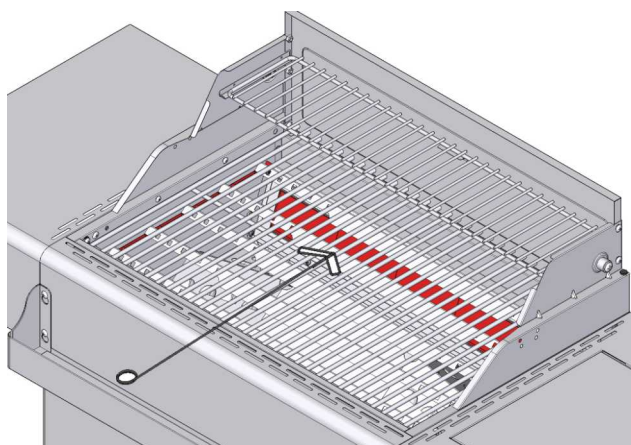


Si le brûleur ne s'allume pas après cinq secondes, tournez le bouton de commande du brûleur jusqu'à la position d'arrêt (OFF), attendez cinq minutes et répétez les étapes d'allumage. Si le brûleur ne s'allume pas lorsque le robinet est ouvert, le gaz continuera de s'échapper du brûleur et pourrait s'enflammer accidentellement et causer des blessures.

Allumage au moyen d'une allumette

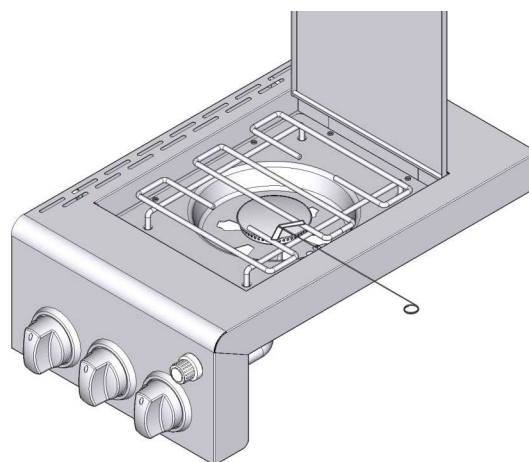
▲ Ne vous penchez pas au-dessus du barbecue lors de l'allumage.

- Ouvrez le couvercle lorsque vous procédez à l'allumage.
- Placez l'allumette dans le support d'allumette (il pend du panneau latéral du barbecue). Allumez l'allumette et placez-la dans le foyer.
- Enfoncez et tournez le bouton de droite jusqu'à la position maximale (HIGH). Assurez-vous que le brûleur s'est allumé et qu'il le reste.
- Allumez les autres brûleurs en enfonceant et en tournant les boutons jusqu'à la position maximale (HIGH).



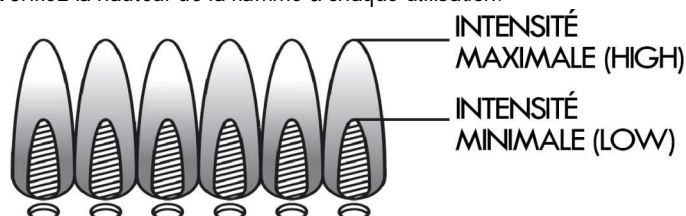
Brûleur de latéral allumette

- Ouvrez le couvercle du brûleur latéral. Allumez le gaz au GPL.
- Placez l'allumette dans le support de match. match de la Lumière. Placez allumette allumée près brûleur.
- Mettez le brûleur latéral bouton pour HI. Soyez sûr que le brûleur allumé et reste allumé



Vérification de la flamme du brûleur

- Retirez les grilles de cuisson et les diffuseurs de chaleur. Allumez les brûleurs et tournez les boutons de la position maximale (HIGH) à la position minimale (LOW). En position minimale, la flamme devrait être plus petite qu'en position maximale. Procédez également à une vérification de la flamme sur le brûleur latéral. Vérifiez la hauteur de la flamme à chaque utilisation.



Arrêt du barbecue

- Tournez tous les boutons en position d'arrêt. Fermez la bouteille de GPL en tournant la poignée à fond dans le sens des aiguilles d'une montre.

Vérification de l'allumeur

- Fermez l'alimentation en gaz à la bouteille de GPL. Enfoncez le bouton de commande et tournez-le vers la gauche en position maximale (HIGH). Vous devriez entendre un « clic » et voir des étincelles chaque fois entre le boîtier du collecteur ou le brûleur et l'électrode. Consultez la section « Dépannage » s'il ne se produit pas de clic ou d'étincelles.

Vérification des robinets

- Important : Assurez-vous que la source d'alimentation en gaz est fermée à la bouteille de GPL avant de procéder à la vérification des robinets. Mettez les boutons en position d'arrêt (OFF). Pour vérifier les robinets, commencez par enfoncez et relâchez les boutons. Ils devraient revenir en place par effet de ressort. Si ce n'est pas le cas, remplacez l'assemblage du robinet avant d'utiliser le barbecue. Tournez les boutons en position minimale (LOW), puis de nouveau en position d'arrêt (OFF). Les robinets doivent tourner facilement.

Vérification des tuyaux

- Avant chaque utilisation, examinez les tuyaux pour détecter toute trace de coupures ou d'usure.
Remplacez les tuyaux endommagés avant d'utiliser le barbecue.
N'utilisez que le système robinet/tuyau/régulateur spécifié dans la liste des pièces de ce guide d'utilisation et d'entretien.

Nettoyage général du barbecue

- Ne confondez pas l'accumulation brune ou noire de graisse et de fumée avec de la peinture. L'intérieur des barbecues au gaz n'est pas peint en usine (et ne devrait jamais être peint). Appliquez une solution puissante de détergent et d'eau ou utilisez un produit de nettoyage pour barbecue et une brosse à récurer sur les surfaces intérieures du couvercle et du fond du barbecue. Rincez et laissez sécher complètement à l'air. N'utilisez pas de produit de nettoyage caustique pour barbecue ou four sur les surfaces peintes.
- **Pièces de plastique** : Lavez à l'eau savonneuse chaude et séchez en essuyant. N'utilisez pas de Citrisol, de produits de nettoyage abrasifs, d'agents de dégraissage ou de produits de nettoyage pour barbecue concentrés sur les pièces en plastique. Cela pourrait les endommager et causer des défaillances dans leur fonctionnement.
- **Surfaces en porcelaine** : La composition de ces surfaces étant semblable à celle du verre, la plupart des résidus peuvent être nettoyés à l'aide d'une solution de bicarbonate de sodium et d'eau ou d'un nettoyant spécialement formulé. Utilisez de la poudre à récurer non abrasive pour les taches tenaces.
- **Surfaces peintes** : Lavez avec un détergent doux ou avec un nettoyant non abrasif et de l'eau chaude savonneuse. Asséchez avec un linge doux et non abrasif.
- **Surfaces en acier inoxydable** : Afin de maintenir l'apparence de qualité supérieure de votre barbecue, lavez les surfaces d'acier inoxydable à l'aide de détergent doux et d'eau chaude savonneuse, puis essuyez-les avec un linge doux après chaque utilisation. Les dépôts de graisse cuits sur la surface peuvent nécessiter l'utilisation d'un tampon nettoyeur en plastique abrasif. Frottez dans le sens du fini afin d'éviter d'endommager les surfaces. N'utilisez pas de nettoyants abrasifs sur les endroits comportant des éléments graphiques.
- **Surfaces de cuisson** : Si une brosse avec soies est employée pour nettoyer les surfaces de cuisson du barbecue, assurez-vous qu'aucune soie ne reste sur les surfaces avant de procéder à la cuisson. Il est déconseillé de nettoyer les surfaces de cuisson pendant que le barbecue est chaud.
- **Plateau à Graisse et la Coupe**: Nettoyer régulièrement les coulures de graisse de la lèchefrite et la Coupe de graisse. Lorsque le gril a complètement refroidi après utilisation, enlever la coupe du bac et faites glisser le bac hors de la grille. Nettoyez les coulures de graisse sur les surfaces de coupe et plateau en lavant avec un détergent doux ou un nettoyant non abrasif et de l'eau chaude savonneuse. Essuyer avec un chiffon doux non abrasif. Faites glisser le bac dans la grille et remplacer la tasse dans le bac avant d'utiliser le gril.

Sécurité alimentaire

La sécurité alimentaire contribue de façon importante à faire de la cuisson à l'extérieur une expérience agréable. Pour protéger la nourriture des bactéries nocives, suivez les quatre étapes de base suivantes.

Nettoyez : Lavez-vous les mains, lavez les ustensiles et toutes les surfaces à l'eau chaude savonneuse avant et après avoir manipulé de la viande et de la volaille crues.

Séparez : Séparez la viande et la volaille crues des aliments prêts à être consommés afin d'éviter toute contamination croisée.

Utilisez un plateau et des ustensiles propres pour retirer les aliments cuits.

Cuisez : Cuisez entièrement la viande et la volaille afin d'éliminer les bactéries. Utilisez un thermomètre pour vous assurer que la nourriture a atteint la température interne adéquate.

Réfrigérez : Réfrigérez sans tarder les aliments cuits et les restes.

Comment savoir si la viande est cuite en profondeur

- La viande et la volaille cuites sur un barbecue brunissent souvent très rapidement à l'extérieur. Utilisez un thermomètre à viande pour vous assurer que la nourriture a atteint une température interne sécuritaire, et faites une entaille dans l'aliment pour vérifier visuellement le degré de cuisson.
- Une volaille entière doit atteindre 82 °C (180 °F); les poitrines doivent atteindre 76,5 °C (170 °F). Les jus qui s'échappent doivent être clairs et la chair ne doit pas être rosée.
- Les hamburgers faits de n'importe quelle viande ou de volaille doivent atteindre 71 °C (160 °F), et leur centre doit être brun, sans jus rosé. Les biftecks, les rôtis et les côtelettes de bœuf, de veau et d'agneau doivent atteindre 63 °C. Toutes les coupes de porc doivent atteindre 71 °C (160 °F).
- Ne grillez JAMAIS partiellement la viande ou la volaille dans le but d'en terminer la cuisson plus tard. Cuisez la nourriture complètement afin de détruire les bactéries nocives.
- Réchauffez les aliments à emporter ou les viandes entièrement cuites comme les hotdogs jusqu'à 74 °C (165 °F), ou jusqu'à ce que de la vapeur s'échappe de l'aliment.

AVERTISSEMENT : Pour s'assurer qu'ils peuvent être consommés en toute sécurité, les aliments doivent être cuits jusqu'aux températures internes indiquées dans le tableau ci-dessous.

Aliments	Température
Boeuf, veau et agneau (morceaux et pièces entières) - mi-saignant	63°C(145 °F)
Boeuf, veau et agneau (morceaux et pièces entières) - moyenne	71°C(160 °F)
Boeuf, veau et agneau (morceaux et pièces entières) - bien cuit	77°C(170 °F)
Porc (morceaux et pièces entières)	71°C(160 °F)
Volaille (par exemple, de poulet, dinde, canard) - morceaux	74°C(165 °F)
Volaille - pièces entières	85°C(185 °F)
Mélanges de viande et viande hachée (par exemple, hamburgers, saucisses, boulettes de viande, pain de viande, plats mijotés) - boeuf, veau, agneau et porc	71°C(160 °F)
Mélanges de viande et viande hachée - volaille	74°C(165 °F)
Plats à base d'oeufs	74°C(165 °F)
Autres (hotdogs, garnitures et restes)	74°C(165 °F)

Rangement de votre Grill

- Nettoyez les grilles de cuisson.
- Stocker dans un endroit sec.
- Lorsque GPL est connecté au grill, stocker à l'extérieur dans un espace bien aéré et hors de portée des enfants.
- Couvrez le grill si entreposé à l'extérieur. Choisissez parmi une variété de grill couvertures offertes par le fabricant.
- Gril à l'intérieur SEULEMENT si le réservoir de gaz est éteint et déconnecté, détaché du grill et entreposé à l'extérieur.

Exigences relatives au gaz

Gaz de pétrole liquéfié

Si vous avez un barbecue fonctionnant au gaz propane liquide, le régulateur fourni sera réglé pour une pression de sortie de 11 po de colonne d'eau (C.E.) et devra être utilisé avec du gaz propane liquide seulement. L'ensemble régulateur de pression et tuyau fourni par l'usine doit être utilisé avec une bouteille de propane liquide de 9,07 kg (20 lb).

Contrôle d'excès de débit et chaleur faible

L'assemblage du régulateur de propane comporte un dispositif d'excès de débit conçu pour assurer une alimentation suffisante en gaz au barbecue sous des conditions normales d'utilisation tout en contrôlant l'excès de débit en gaz. Des changements rapides dans la pression peuvent activer le dispositif d'excès de débit, produisant une flamme plus petite et une basse température. Si le robinet de la bouteille est ouvert pour permettre l'arrivée de gaz alors qu'une soupape de brûleur est ouverte, l'augmentation de pression activera le dispositif. Celui-ci restera fermé jusqu'à ce que la pression soit rétablie. Cela devrait se produire dans un délai de cinq secondes.

Observez les directives suivantes afin que cela ne pose pas de problème pour allumer le barbecue :

1. Assurez-vous que tous les robinets de brûleurs sont fermés (OFF).
2. Ouvrez le robinet de la bouteille et attendez cinq secondes.
3. Allumez les brûleurs un à un en suivant les directives indiquées.

Conseils pratiques pour l'entretien

Avant de commencer la cuisson, fermez le couvercle et préchauffez le barbecue pendant 15 minutes à la position maximale (HIGH). Afin de prévenir les montées de flammes et les feux de graisse, gardez le couvercle ouvert pendant la cuisson des viandes. Fermez le couvercle lorsque vous cuisez des viandes épaisses, lorsque la température est froide ou lorsque vous utilisez un tournebroche ou une méthode de cuisson indirecte.

Protégez vos mains à l'aide de poignées lors de tout contact avec une surface chaude.

Ouvrez le couvercle pour la cuisson des viandes, surtout le poulet. Fermez le couvercle pour la cuisson indirecte ou au tournebroche.

Ne laissez JAMAIS le barbecue sans surveillance durant la cuisson.

Une fois la cuisson terminée, fermez le couvercle et réglez les brûleurs à la position maximale (HIGH) pendant 15 minutes pour nettoyer le barbecue et brûler la graisse.

Tableau de fréquence de l'entretien

Barbecue	Fréquence en fonction d'un usage normal	Méthode de nettoyage
Surface peinte	Deux fois par année	Cire pour voitures
Surface en acier inoxydable	Deux fois par année	Nettoyant pour acier inoxydable
Toutes les grilles	Après chaque utilisation	Brûler et nettoyer
Grilles en acier inoxydable	15 jours	Brosse métallique/lave-vaisselle
Grilles en porcelaine	15 jours	Tampon à récurer avec eau savonneuse / lave-vaisselle
Plaques chauffantes de brûleur	30 jours	Brosse métallique
Brûleurs	90 jours	Brosse métallique
Intérieur du foyer de brûleurs	120 jours	Produits de nettoyage pour l'intérieur des barbecues

Nécessaire de conversion au gaz

Votre barbecue peut fonctionner au gaz naturel. La conversion doit être effectuée par un technicien qualifié. Les éléments du nécessaire de conversion au gaz naturel listés (vendus séparément) sont essentiels pour la conversion.

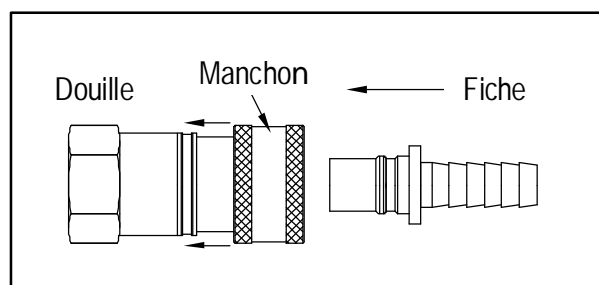
Nécessaire de conversion au gaz naturel
Modèle n° NGKIT-01
(Référence fabricant : IR2818-1-KIT)

Raccord du tuyau d'alimentation en gaz naturel

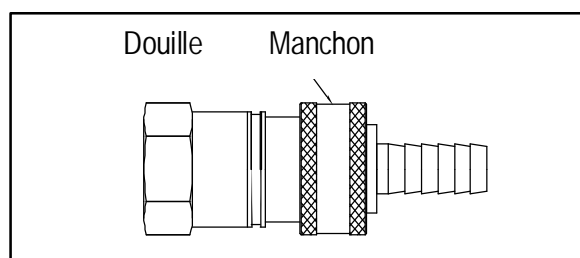
1. Fermez l'alimentation en gaz et retirez le capuchon du côté de l'alimentation en gaz.
2. Recommandation : installez une vanne d'arrêt du côté de l'alimentation en gaz avant d'installer la douille.
3. La douille doit être installée par un technicien autorisé, conformément au Code national de gaz naturel (NFPA 54/ANSI223.1).
4. Avant d'insérer la fiche, ouvrez l'alimentation en gaz et vérifiez tous les raccords pour voir s'il y a des fuites, y compris la tige de la vanne d'arrêt et l'ouverture de la douille. Pour obtenir de meilleurs résultats, utilisez une solution à l'eau et au savon sans ammoniac.

Mode d'emploi :

1. Pour brancher l'alimentation, poussez le manchon de la douille.



2. Insérez la fiche et relâchez le manchon.
3. Poussez la fiche jusqu'à ce que le manchon s'enclenche vers l'avant. (L'alimentation en gaz commencera automatiquement. Si la fiche n'est pas branchée correctement dans la douille, il n'y aura pas de débit de gaz vers l'appareil.)



Pour débrancher :

1. Tirez le manchon vers l'arrière. Enlevez le bouchon mâle de la douille. (L'alimentation en gaz s'arrête automatiquement.)
2. Fermez la vanne d'arrêt et remplacez les capuchons antipoussières sur la douille et sur le bouchon mâle.

Gaz naturel

Si vous avez un barbecue fonctionnant au gaz naturel, le régulateur fourni sera réglé pour une pression de sortie de 7 po de colonne d'eau (C.E.) et devra être utilisé avec du gaz naturel uniquement. La pression du gaz est modifiée par la taille de la conduite de gaz ainsi que par la longueur de la conduite provenant de la conduite de gaz de la maison. Suivez les recommandations du tableau ci-dessous :

De la maison au barbecue	
Distance	Dimensions du tuyau
Jusqu'à 7,62 m (25 pi)	0,95 cm (3/8 po) de diam.
De 7,93 à 15,24 m (26-50 pi)	1,27 cm (1/2 po) de diam.
De 15,54 à 30,48 m (51-100 pi)	1,69 cm (2/3 po) de longueur et 1,91 cm (3/4 po) de diamètre 0,84 cm (1/3 po) de longueur et 1,27 cm (1/2 po) de diamètre
Plus de 30,78 m (101 pi)	1,91 cm (3/4 po) de diam.

LISTA DE PIEZAS

Pièce	Qté	Description	No. pièce
1	1	HOOD POIGNÉE	IR2818-00-4300
2	4	RUBBER PLUG	3219B-8083
3	1	CAPUCHE	IR2818-1-4000
4	1	INDICATEUR DE TEMPÉRATURE	2518-4C-8012
5	1	TEMPERATURE GAUGE LUNETTE	3218LTN-00-4001
6	1	TEMPERATURE GAUGE MANCHES	E3518-00-4009
7	2	GRID MAIN	RB2818ST-00-2001
8	1	RÉCHAUFFEMENT RACK	2818-2T-2002
9	5	CHALEUR TENTE	IR2818-00-2004
10	1	RÉFLECTEUR	IR2818-00-2040
11	1	BRÛLEUR BOX	IR2818-00-2000
12	2	ÉCROU	5/16-18 UNC
13	2	HOOD MANCHES	E3518-00-0001
14	2	VIS	5/16-18 UNC x 1"
15	2	BRÛLEUR PRINCIPAL	IR2818-00-2050
16	1	ALLUMAGE PIN (BRÛLEUR PRINCIPAL)	IR2818-00-8002
17	1	COVER POIGNÉE	3218LT-00-2804
18	1	COVER SIDE BRÛLEUR	E3518-00-6001-1
19	1	SIDE BRÛLEUR GRID	IR2818-00-6002
20	1	ALLUMEUR ÉLECTRIQUE	RT2417S-00-8004
21	1	SIDE BRÛLEUR PLATEAU	IR2818-01-6000
22	1	ALLUMAGE PIN (SIDE BRÛLEUR)	L3018SN-00-8007
23	1	SIDE BRÛLEUR	IR2818-00-8300
24	1	LPG REGULATEUR	IR2818-00-8007
25	3	LUNETTE	RT2417S-00-3321
26	3	BOUTON	RT2417S-00-3301
27	1	ALLUMAGE PIN (BRÛLEUR PRINCIPAL)	IR2818-00-8001
28	1	HOSE BRÛLEUR PRINCIPAL (BACK)	IR2818-00-8003
29	1	COLLECTEUR	IR2818-00-3200
30	1	HOSE BRÛLEUR PRINCIPAL (FRONT)	2518SL-8005
31	1	BAC DE RÉCUPÉRATION	RB2818TN-00-2600
32	1	SIDE PLATEAU	IR2818-00-5000
33	1	PANNEAU GAUCHE	IR2818-00-1700
34	1	SIDE PANEL BRACKET (GAUCHE)	2818-2T-1600
35	1	SUPPORT RRD CUP	2818-2T-1500
36	1	RRD CUP	P3018-00-1002
37	1	TANK RING	P3018-00-1203
38	1	TANK RING CROCHE T	E3518-00-1202
39	1	PANNEAU ARRIÈRE	IR2818-00-1200
40	1	PANNEAU DROIT	IR2818-00-1800
41	1	SIDE PANEL BRACKET (DROITE)	2818-2T-1700
42	1	PANNEAU DU BAS	IR2818-00-1100
43	2	ROULETTE BLOCAGE	RT2417S-00-8005
44	2	ROULETTE	RT2417S-00-8006
45	1	AIMANT	L3018S-00-1310
46	1	PORTE DROIT	IR2818-00-1600

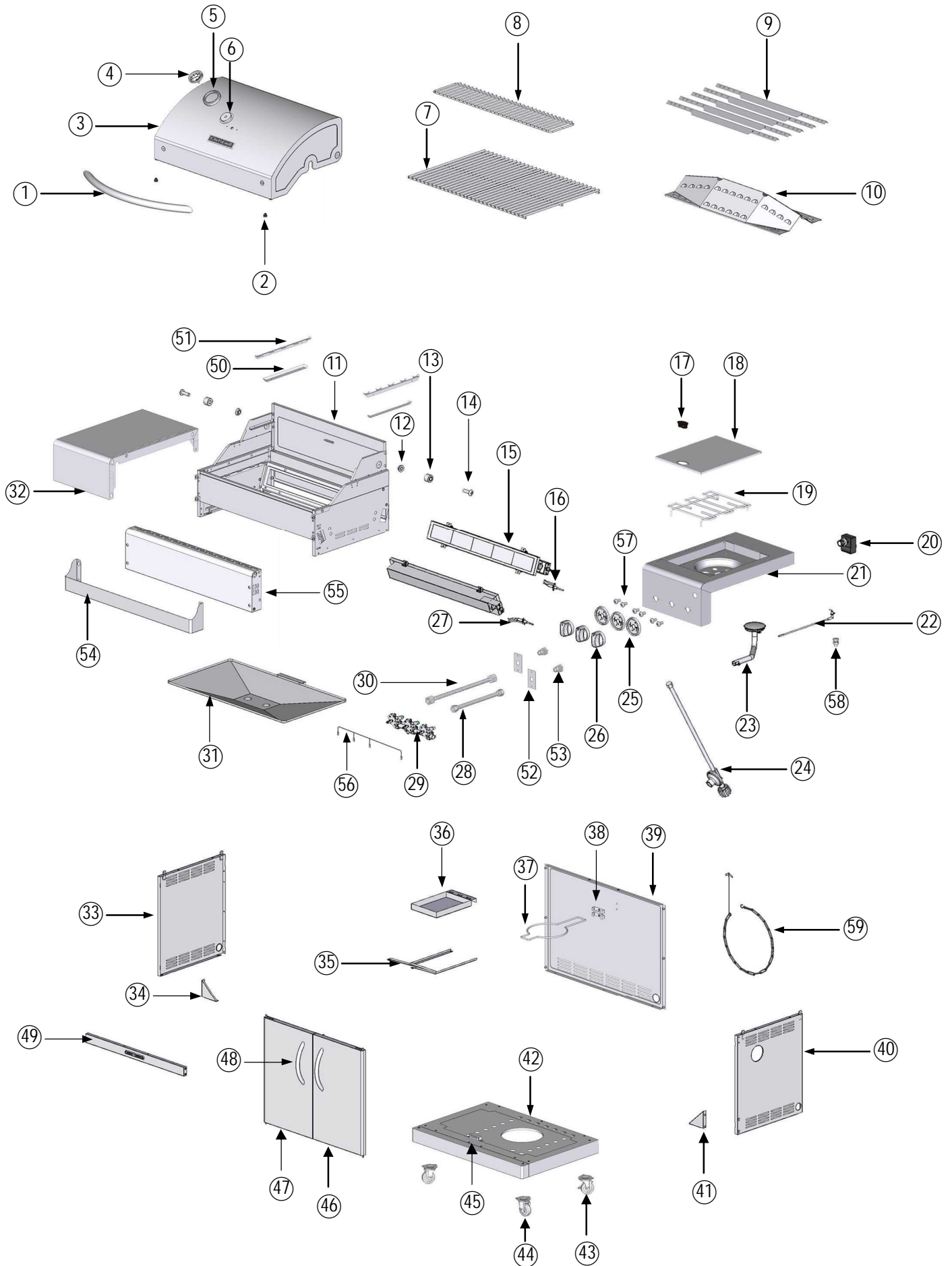
Pièce	Qté	Description	No. pièce
47	1	PORTE GAUCHE	IR2818-00-1400
48	2	POIGNÉE DE PORTE	RT2417S-00-1610
49	1	FAISCEAU	IR2818-00-1500
50	2	SUPPORT RÉFLECTEUR	IR2818-00-2143
51	2	SUPPORT DE CHALEUR TENTE	IR2818-00-2102
52	2	BUSE DE BASE	IR2818-00-6201
53	2	BUSE INFRAROUGE	IR2818-00-8005
54	1	PANNEAU DE CONTRÔLE	IR2818-00-3211
55	1	BOÎTE DE CONDIMENT	IR2818-00-3110
56	1	FIL D'ALLUMAGE CONTINU	IR2818-00-8009
57	6	VIS	M4x8
58	1	VIS ET ECROU	5/32-32UNC
59	1	HAND ALLUMEUR	3019L-1710
	1	MATERIEL PAQUET	IR2818-1-HARDWARE
	1	MANUEL DU PRODUIT	IR2818-1-MANUAL

Pour commander des pièces de rechange après avoir utilisé le barbecue, veuillez également composer le 1-888-804-7455.

S'il manque des ferrures ou si certaines pièces sont endommagées après le déballage du barbecue, composez le 1-888-804-7455 pour obtenir des pièces de rechange.

REMARQUE : Certaines pièces du barbecue illustrées dans les étapes de l'assemblage peuvent différer légèrement des pièces de votre propre modèle de barbecue. Cependant, la méthode d'assemblage demeure la même.

SCHÉMA DES PIÈCES



DÉBALLAGE

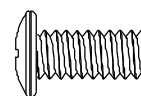
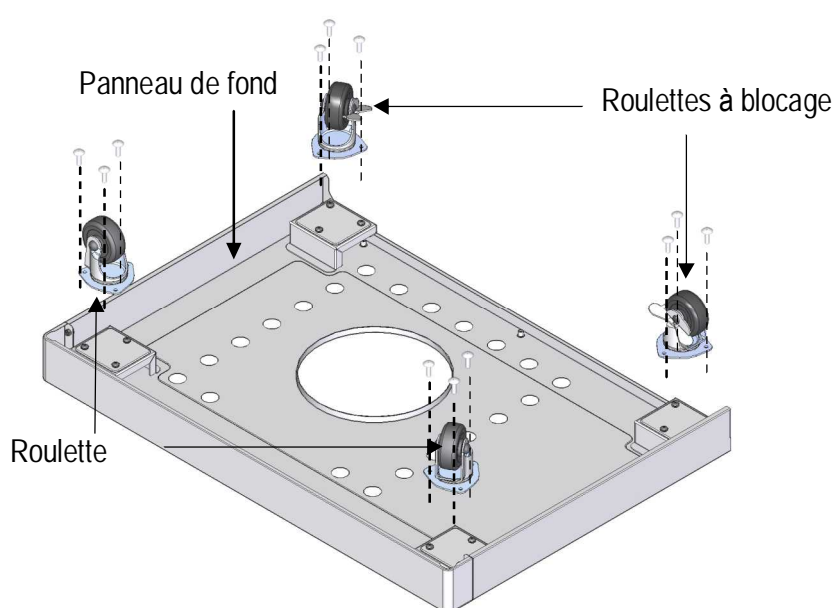
Après avoir déballer toutes les pièces et accessoires du haut de la boîte d'expédition, et que seul le dessus du barbecue paraît, utilisez un couteau et coupez les côtés de la boîte pour l'aplatir. Faites attention aux agrafes le long des bords de la boîte d'expédition. Retirez les supports d'angle de la boîte et les pièces latérales en mousse de polystyrène sur le dessus du barbecue. Demandez de l'aide afin de poser le dessus du barbecue sur l'une des pièces latérales en mousse de polystyrène pour protéger le plateau d'écoulement. Posez le dessus du barbecue sur un carton jusqu'au moment de le placer sur le chariot à l'étape 10.

Ouvrez le couvercle du barbecue et retirez toutes les pièces emballées et les matériaux d'emballage.

AVERTISSEMENT : Assemblez et placez le barbecue sur une surface plane. Comparez les pièces et les ferrures avec la liste et les schémas. Ne procédez pas à l'assemblage si une pièce est endommagée ou manquante.

1

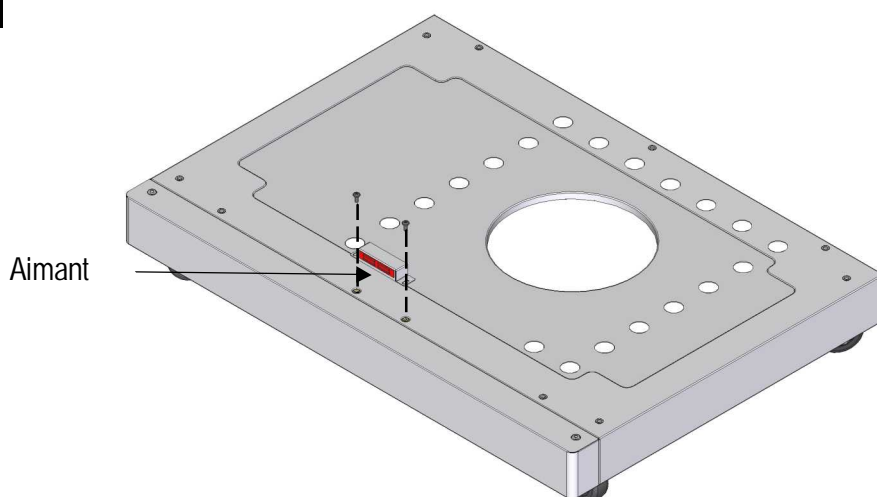
Fixez les roulettes et les roulettes à blocage au panneau inférieur à 12 vis. Notez que les roulettes à blocage sont à l'arrière de la grille. Ensuite retournez le panneau inférieur.



Vis 3 / 16-24 x 1/2 "
Qté. 12

2

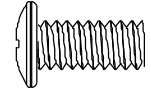
Fixer l'aimant sur le panneau inférieur avec deux vis de 5/32-32 x 3/8.



Vis 5/32-32 x 3/8 "
Qté. 2

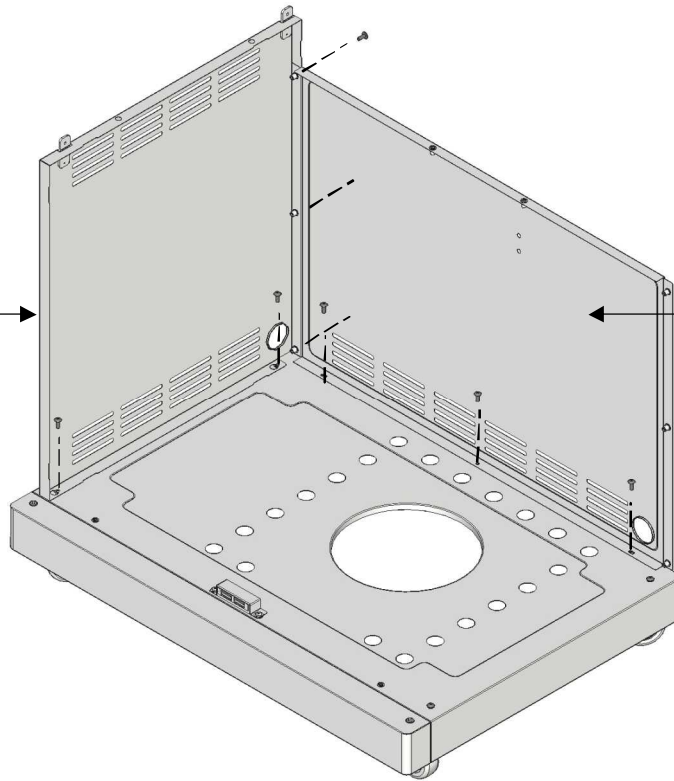
3

Fixez le panneau gauche et le panneau arrière a le panneau inférieur. Il y a 3 vis pour le panneau arrière, 5 vis pour le panneau inférieur.



Vis 3/16-24 x 1/2"
Qté. 8

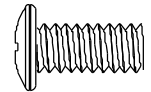
Panneau gauche



Panneau arrière

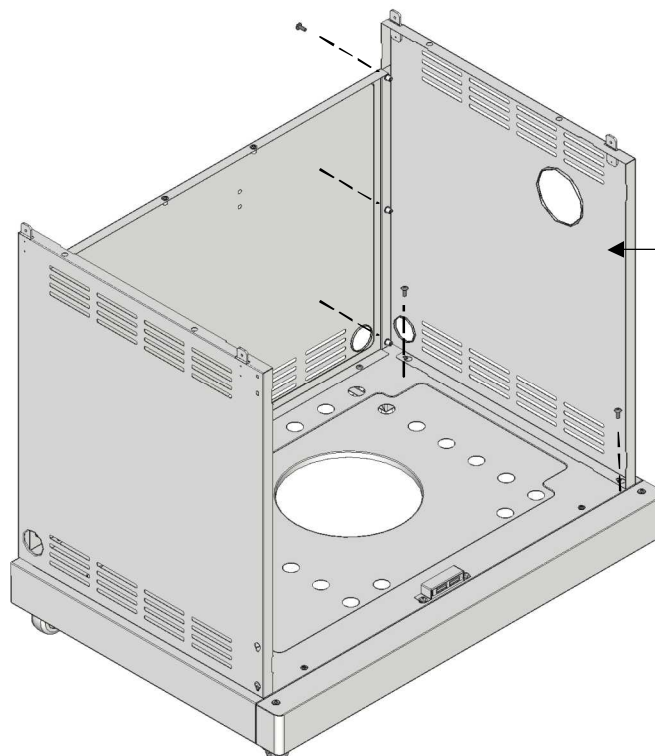
4

Fixer le panneau de droite au panneau inférieur et panneau arrière avec 5 vis. Il y a 2 vis pour le panneau inférieur et 3 vis pour le panneau arrière.



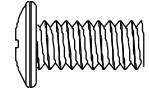
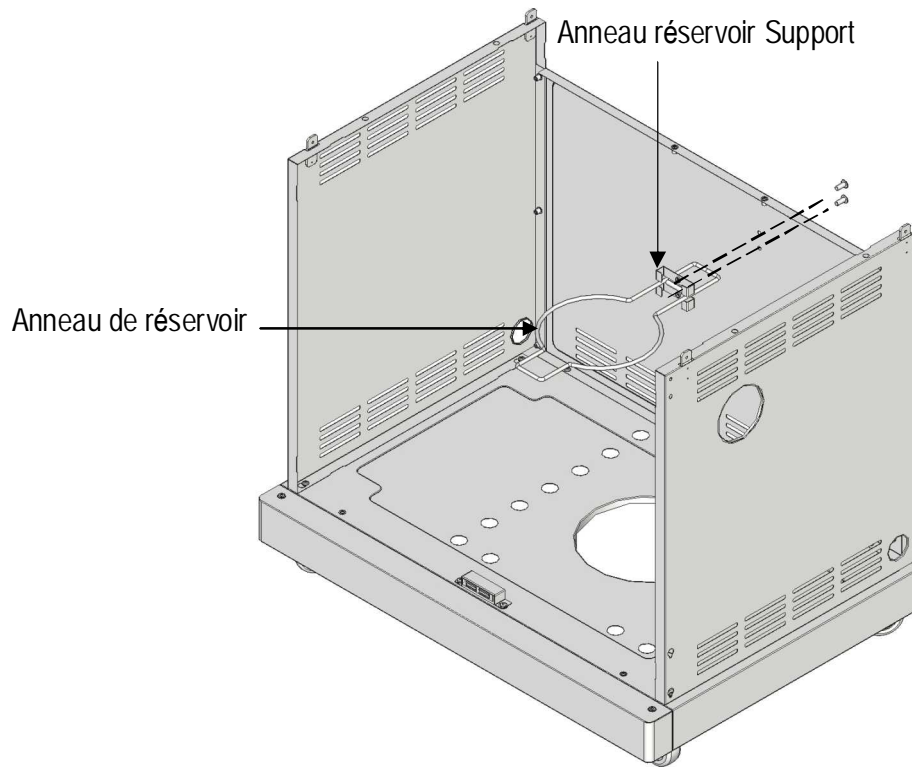
Vis 3/16-24 x 1/2"
Qté. 5

Panneau de droite



5

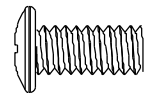
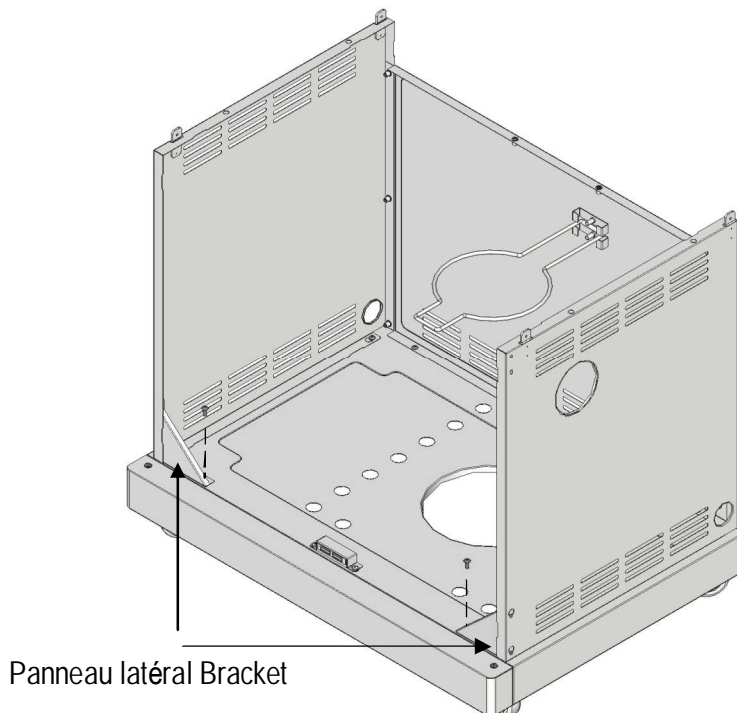
Faites glisser la crochet annulaire du réservoir à l'extrémité de l'anneau de réservoir. Fixer le crochet à l'arrière avec 2 vis.



Vis 1/4-20 x 5/8"
Qté. 2

6

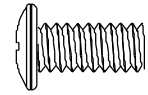
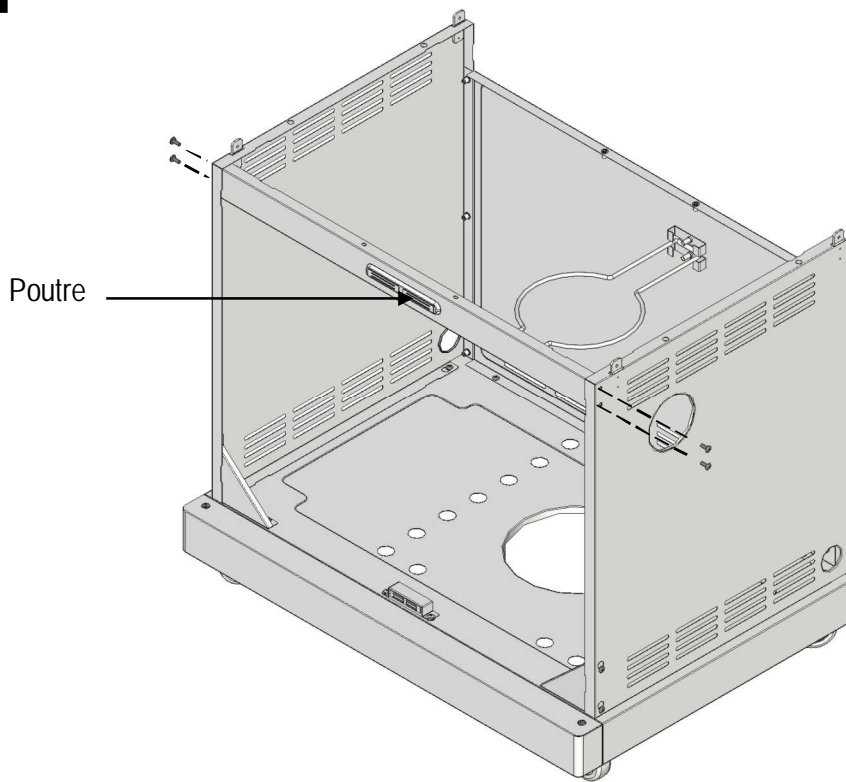
Desserrer les deux vis dans les crochets des panneaux de côté droit et gauche 3 à 4 tours. Insérez les vis dans les 2 trous à la base de chaque panneau latéral et glissez le support vers le bas jusqu'à la butée. Fixez chaque crochet sur le panneau inférieur avec une vis de 3/16-24 x 1/2 pouce. Revissez les 4 vis dévissées.



Vis 3/16-24 x 1/2"
Qté. 2

7

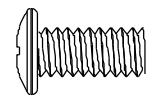
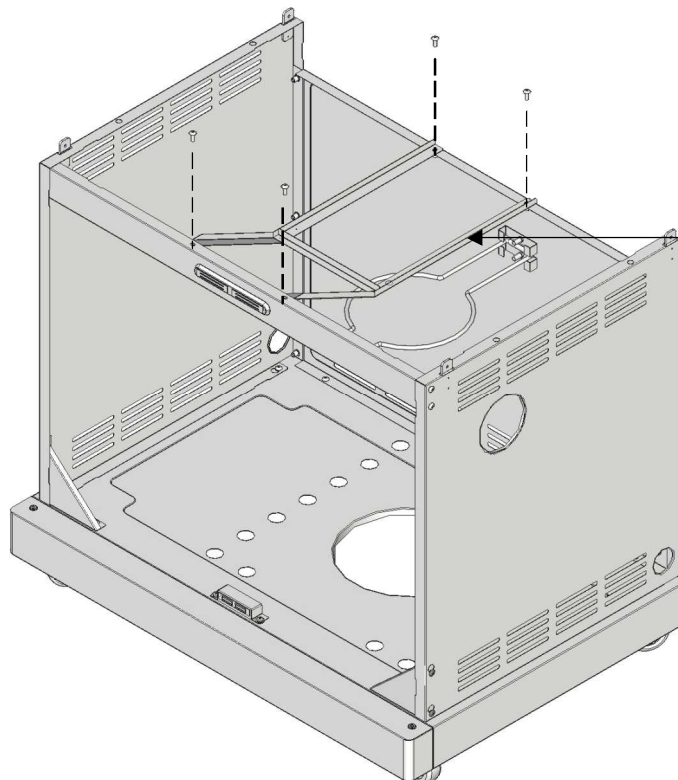
Fixer le poutre sur les panneaux latéraux avec 4 vis.



Vis 3/16-24 x 1/2"
Qté. 4

8

Fixez le support de la cuvette de recueil à le panneau arrière et le faisceau avec 4 vis, 2 vis pour le panneau arrière et 2 vis pour le faisceau.

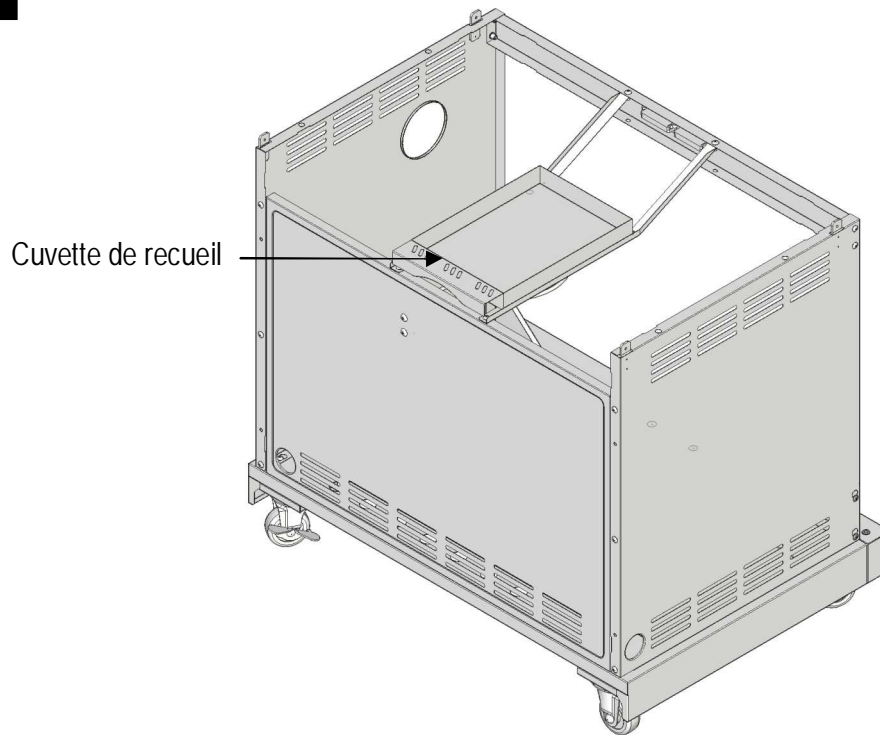


Vis 3/16-24 x 1/2"
Qté. 4

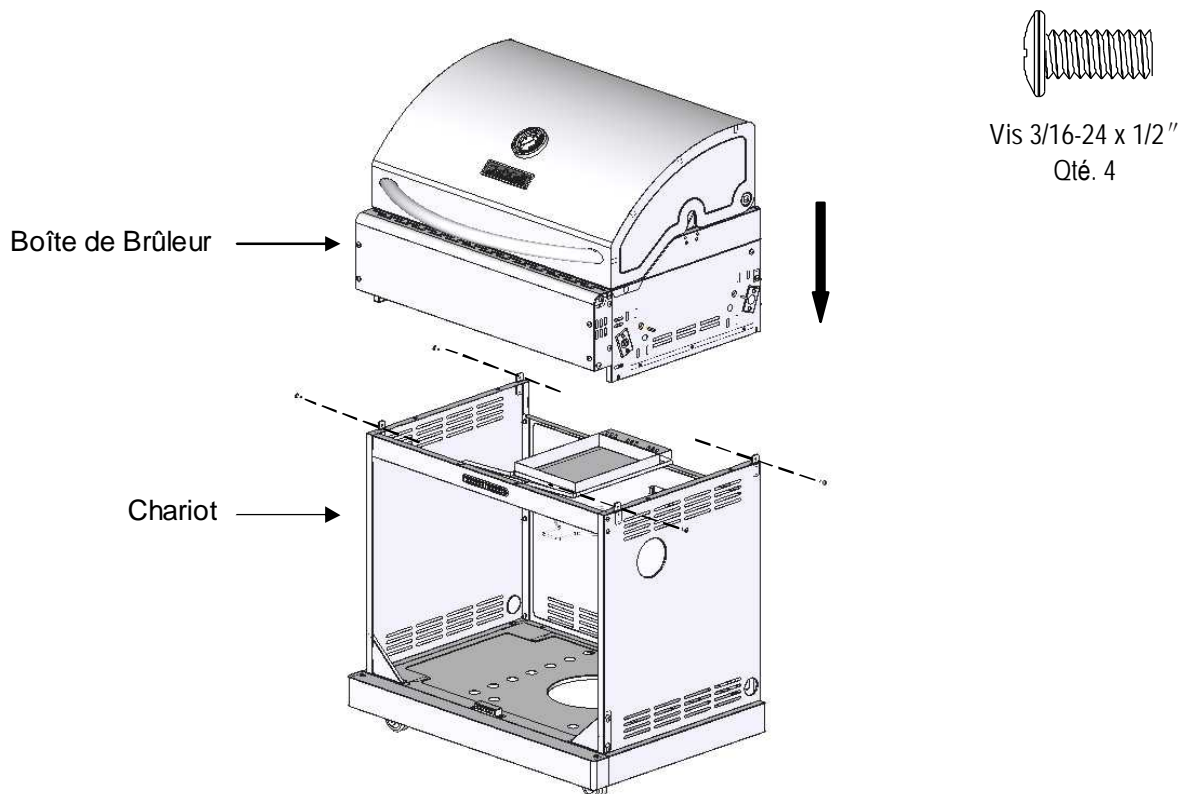
Support de la cuvette

9

Mettez la cuvette de recueil sur le support de la cuvette de recueil.

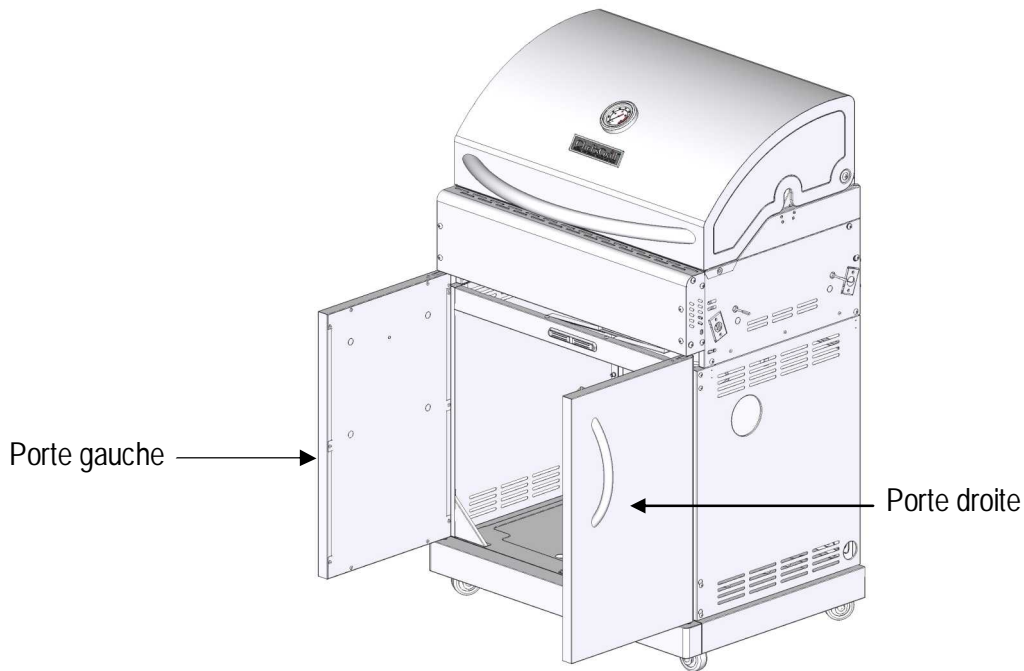
**10**

Couper les surliures tenant régulatrices sous tête de panneau grille. Veillez ne pas couper les fils de bougie ou les attache autobloquantes que tenant les fils d'allumeur en place. À l'aide d'un assistant, soulever et placer la tête de grill sur chariot. Les côtés de la tête de Grill restent sur pattes de fixation sur le chariot. Assurez que le régulateur et la bougie fils sont pandues à l'intérieur du chariot. Fixer la tête de grill a le chariot avec 4 vis, comme illustré.



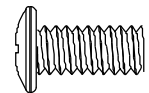
11

Pour chaque porte, insérer l'axe de charnière inférieure dans le trou sur le panneau inférieur. Insérez la charnière de haut pour le- insérer dans le trou dans le coin inférieur du panneau de contrôle. Réglez les aimants sur le panneau inférieur et le poutre avant d'aligner les aimants avec portes et puis serrez les vis de l'aimant.

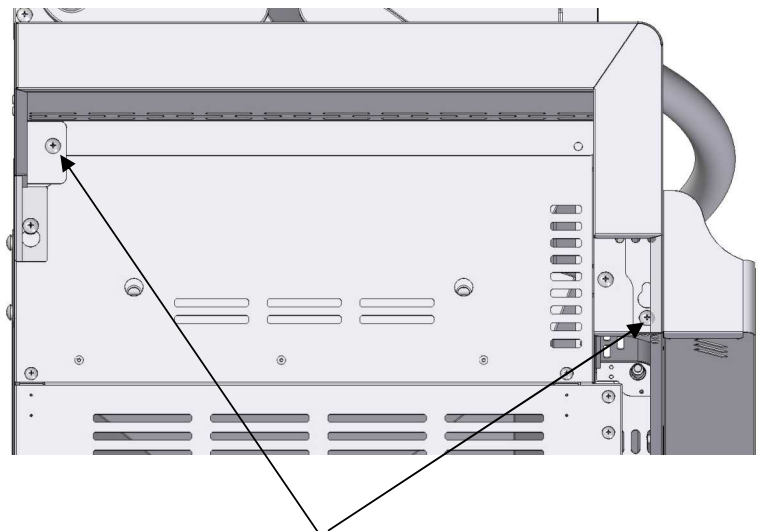
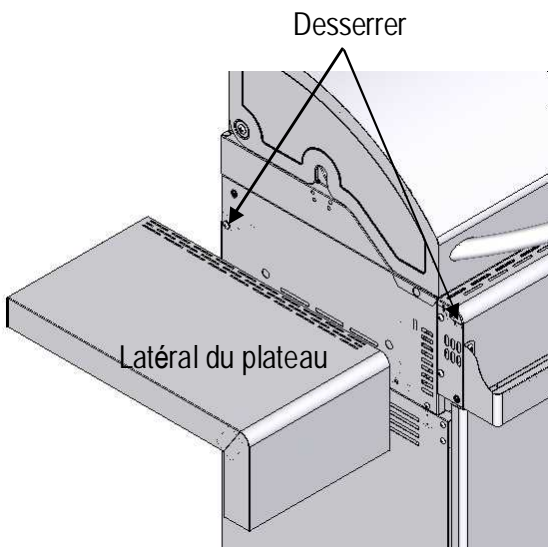
**12**

Latéral du plateau

Desserrer les deux vis fixés au panneau gauche de la boîte de brûleur de 3 ou 4 tours comme indiqué. Accrocher la tablette latérale par les fentes de son côté aux vis desserrées. Fixer la tablette latérale avec deux 1/4-20 x 5/8" screws comme indiqué. Serrer les vis dévissées précédemment.



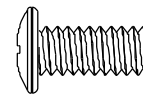
Vis 1/4-20 x 5/8"
Qté. 2



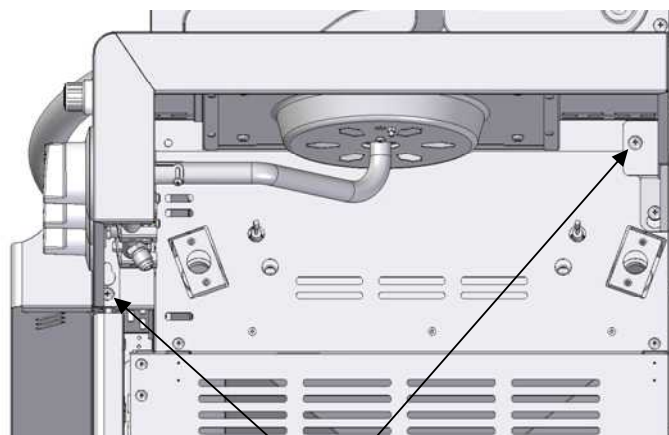
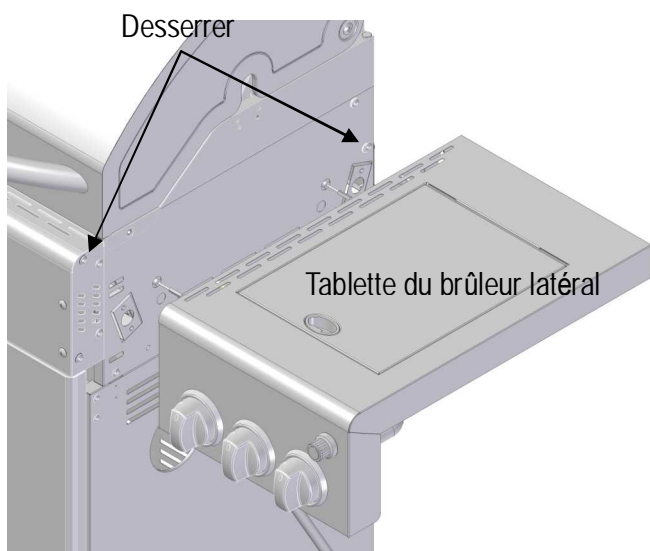
Vis 1/4-20 x 5/8"

13**Tablette du brûleur latéral**

Desserrer les deux vis fixées dans la partie droite de la boîte de brûleur 3 à 4 tours comme indiqué. Accrocher le tablette de brûleur de côté par les fentes de son côté aux deux vis desserrées. Fixer la tablette de brûleur latérale avec deux 1/4-20 x 5/8" screws comme indiqué. Serrer les deux vis précédemment dévissées.



Vis 1/4-20 x 5/8"
Qté. 2



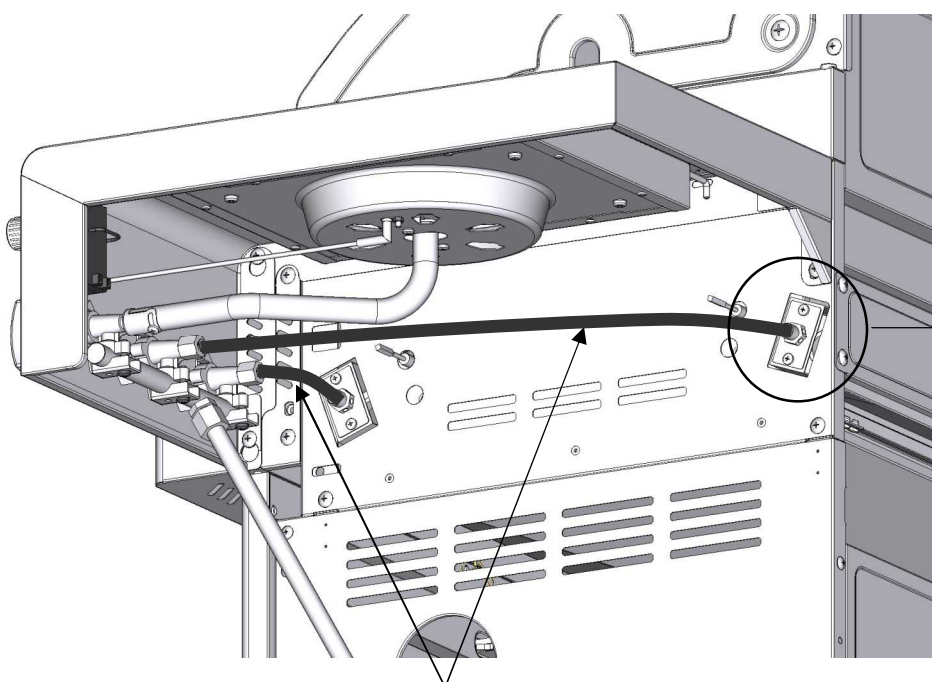
Vis 1/4-20 x 5/8"

14**Tablette du brûleur latéral**

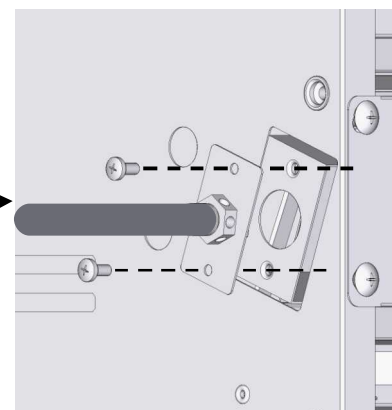
Branchez le tuyau de brûleur infrarouge sur le brûleur infrarouge avec 4 vis.



Vis 5/32-32 x 3/8"
Qté. 4

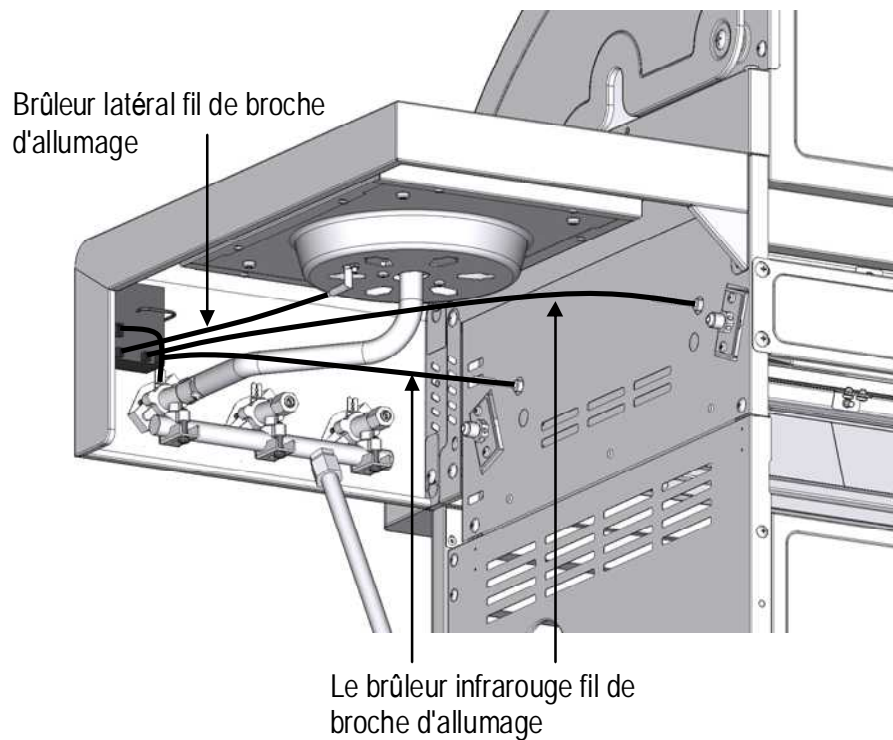


Tuyau de brûleur infrarouge

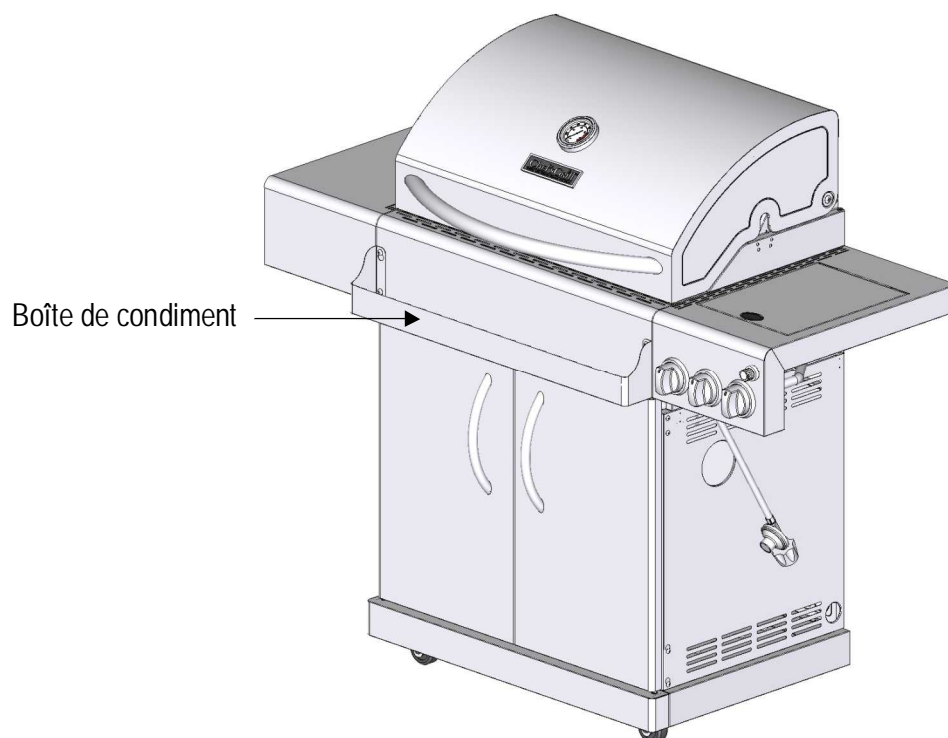


15**Fils d'allumage**

Branchez le câble de goupille d'allumage du brûleur infrarouge et câble de broches côté brûleur d'allumage dans les douilles de l'allumeur tel qu'illustré.

**16**

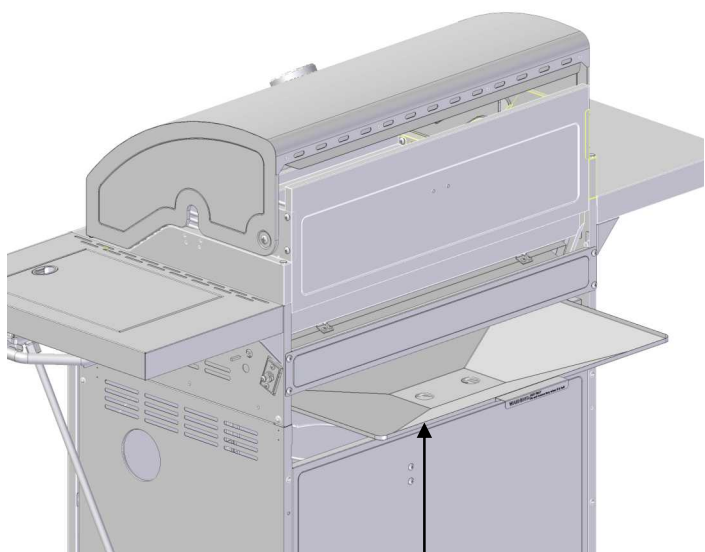
Fixez les boîtes de condiment au panneau de contrôle par les trous fendus.



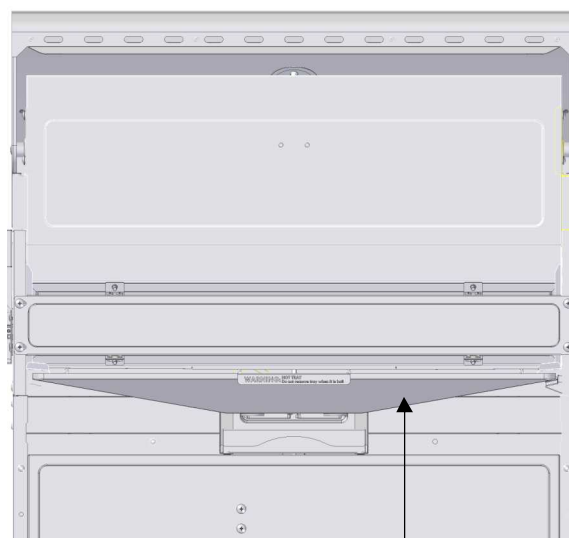
17

Ajuster le plateau d'égouttage jusqu'à ce qu'il est en sécurité dans le milieu bas de la chambre de combustion.

Il s'agit d'un plateau « facile a nettoyer » ; il glisse facilement de l'arrière du gril pour le nettoyage.
AVIS Assurez que le plateau d'égouttage et la cuvette de recueil sont correctement installés avant d'allumer les brûleurs.



Bac de récupération

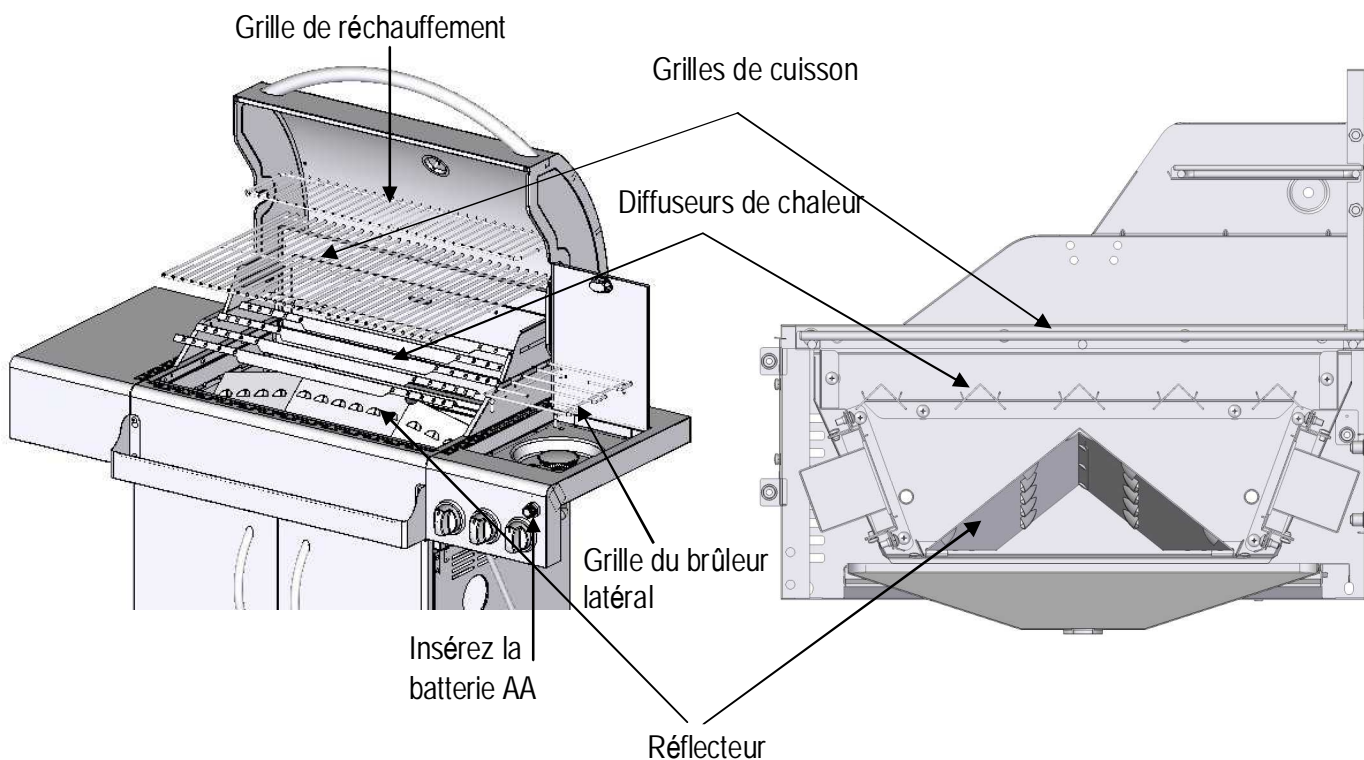


Bac de récupération

18

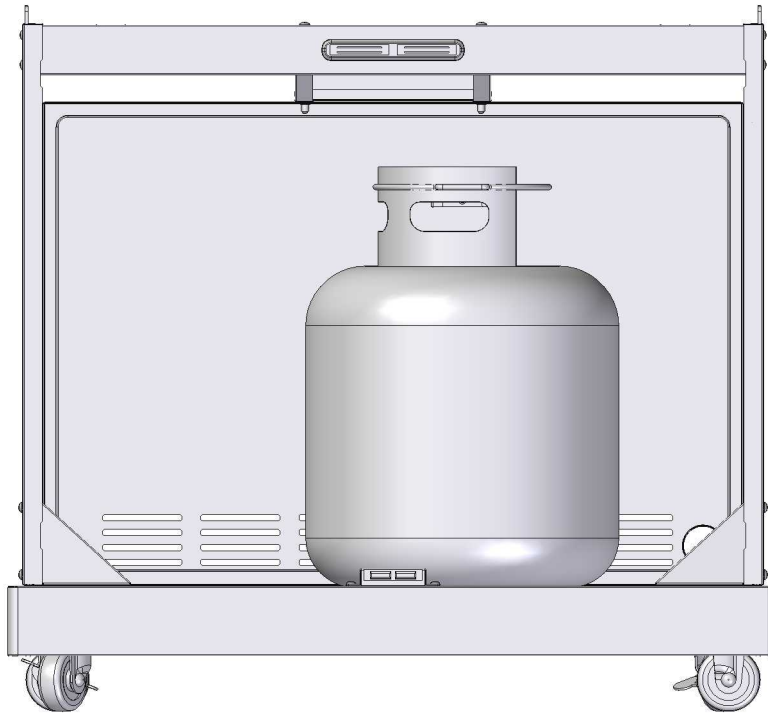
Installer le Réflecteur, Les diffuseurs de chaleur, Les grilles de cuisson, Grille du brûleur latéral, Grille a chauffage et batterie

Positionner le Réflecteur, Les diffuseurs de chaleur, Les grilles de cuisson, Grille du brûleur latéral, Grille a chauffage et batterie NOTEZ: Les bords du diffuseur s'insèrent dans les fentes à gauche et à droite de la boîte de brûleur. Monter à l'arrière de la Grille a chauffage dans le clip sur la paroi arrière de la boîte a bruleur. Enlever le capuchon de la Batterie et insérer la batterie AA avec le pôle positif vers l'extérieur. Remettre le bouchon.



19**Installation d'un réservoir LP**

Ouvrir les Portes devant du chariot. Sertie de base du réservoir en support de réservoir avec louverture du collet de réservoir tourné vers la droite, comme illustré. Sertie l'anneau de réservoir tenez le collet du réservoir. Connecter le régulateur au réservoir (voir page 5 de l'article d'utilisation et d'entretien).

**Grill Spécifications**

Poids net: 117 lb.

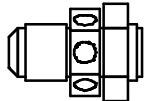

Poids du paquet: 141 lb.

Taille: 47.3 "H x 53.6" W x 23.6 "D

Réchauffement espace rack (sq dans.): 168

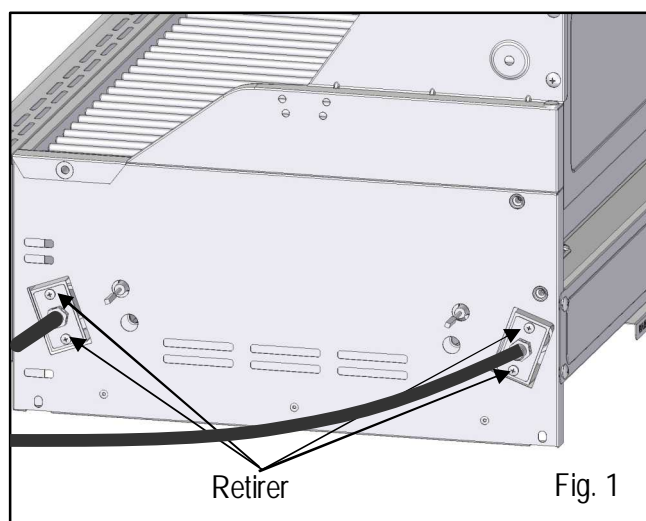
INSTRUCTIONS DE GAZ NATUREL DE CONVERSION

Le NGKIT-01 contient des orifices pour les différents modèles de grille. Voulez sélectionner les orifices énumérés et laisser le reste. Suivez les instructions de conversion fournies avec le kit.

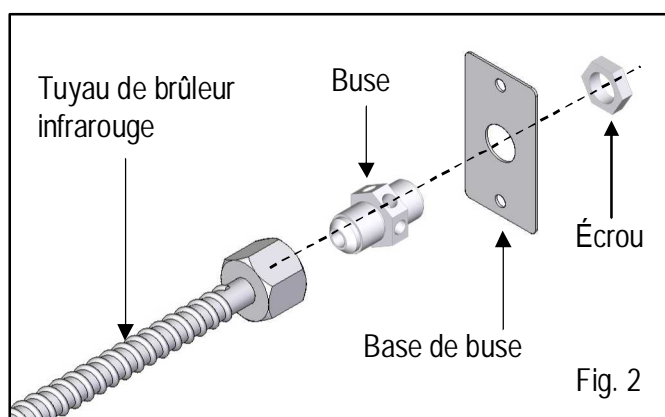
Modèle	Brûleur principal 1.81mm	brûleur latéral 1.31mm
		
IR2818-1	2 pc	1 pc

Brûleur principal Conversion

1. Enlever les vis sur le panneau de droite de la chambre à combustion pour détacher l'ensemble de buse du brûleur principal de la chambre à combustion. (Fig. 1)

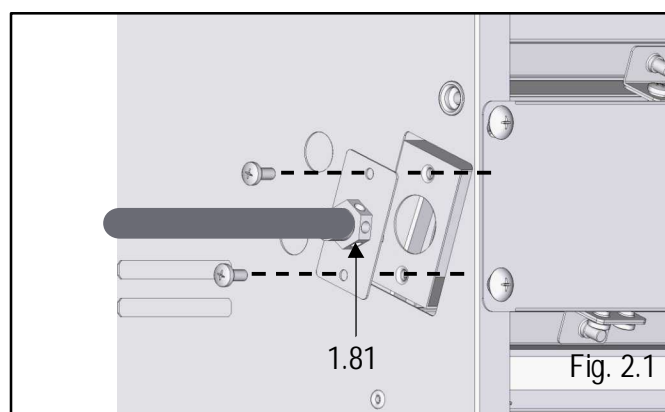


2. Retirer la buse de GPL du tuyau du brûleur infrarouge. Retirer l'écrou pour fixer la base de la buse. (Fig. 2)



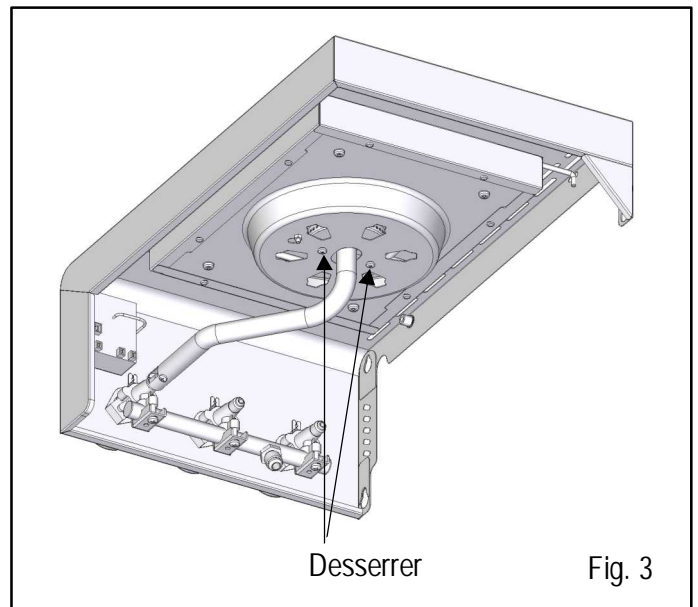
3. Remplacer la buse de GPL avec la buse NG. Installer la buse NG avec la base de la buse sur le tuyau de brûleur infrarouge. Ensuite, fixez l'ensemble de buse NG à la boîte de feu avec des vis.

Assurez-vous que vous utilisez la buse correcte, qui est marqué "1.81". (Fig. 2.1)

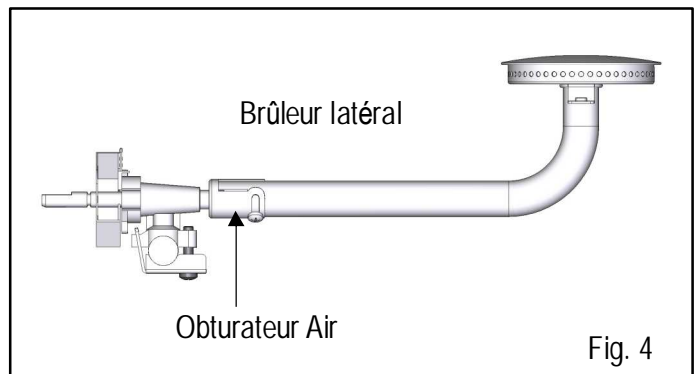


Brûleur lateral Conversion

1. Desserrer la vis du bruleur latéral pour exposer la vanne du brûleur latéral.
Insérer l'outil sur la vanne et dévisser l'orifice de fin de valve. Mettez le nouvel orifice dans l'outil de suppression d'orifice et serrer le nouvel orifice dans la vanne.
Assurez que vous utilisez l'orifice correct, qui est marquée "1.31". (Fig. 3)

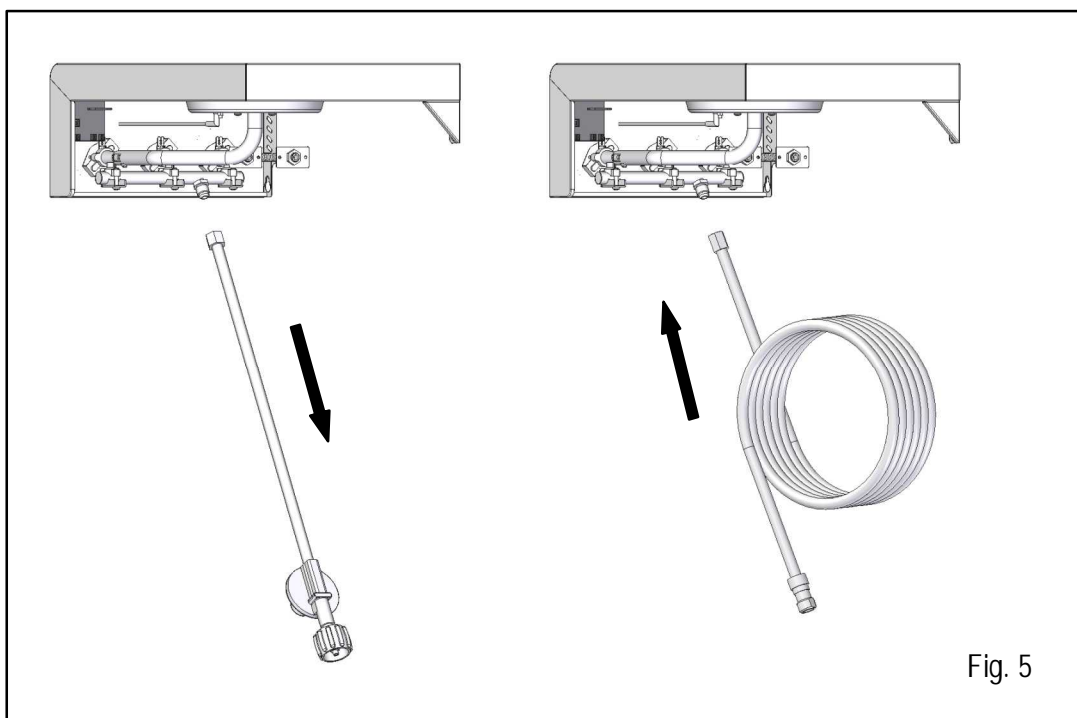


2. Desserrer la vis d'obturation d'air. Faire pivoter l'obturateur d'air pour changer l'ouverture du réglage LP (gaz petroliere liquefier) au réglage NG (gaz naturel).. Serrer la vis pour fixer l'obturateur en position. Engager le tube de brûleur sur vanne comme indiqué. (Fig.4)
P L. (GAZ PETROLIERE LIQUEFIER): Ouverture totale
GN (GAZ NATUREL): ouvert du 1/4" pouce



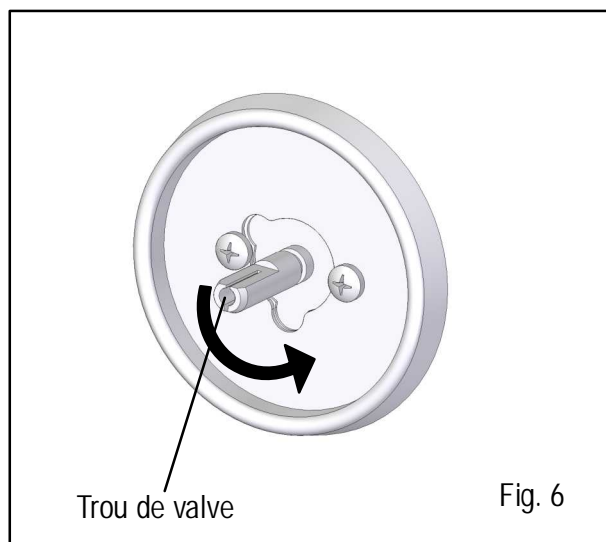
Hose Raccordement au gaz naturel

Retirez le régulateur du collecteur et remplacez-le par le tuyau d'alimentation en gaz naturel de 3,05 m. Veuillez vous assurer que le tuyau est fixé solidement. (Fig. 5)



Ajustement de la vis de réglage du robinet

Retirez tous les boutons des tiges de robinet. Ajustez la vis de chaque trou de robinet à l'aide du tournevis à tête plate. Tournez les vis de deux tours complets dans le sens contraire des aiguilles d'une montre. (Fig. 6)



Appuyez sur tous les boutons de retour sur les tiges de soupape.
Pour terminer la conversion, remettez tous les boulons en place, remplacez les diffuseurs de chaleur dans le foyer, ainsi que les grilles et la grille de maintien au chaud.

Dépannage

Problème	Cause possible	Mesure corrective
Le gril ou le brûleur latéral ne s'allument pas.	<ol style="list-style-type: none"> 1. Le fil d'allumage s'est détaché de la soupape / dispositif d'allumage électronique. 2. L'espace entre la tige d'allumage et le brûleur est plus grande que 2,5 mm / 5,1 mm (brûleur latéral). 3. Le fil d'allumage est brisé. 4. La pile est vide. 5. La polarité de la pile est inversée. 6. Le bout de l'électrode ne produit plus d'étincelle au port du brûleur. 7. Aucune alimentation en gaz. 8. Air ouverture de l'obturateur est trop grand. 	<ol style="list-style-type: none"> 1. Reconnectez le fil d'allumage au dispositif d'allumage électronique. 2. Relâchez la tige d'allumage et réglez l'espacement approprié, puis serrez-la à nouveau. 3. Appelez le service à la clientèle pour obtenir un fil d'allumage de remplacement. 4. Installez une nouvelle pile AA. 5. Inversez la polarité de la pile. 6. Réinstallez l'électrode. 7. Ouvrez la soupape du régulateur. 8. Desserrez l'obturateur d'air et réglez la l'ouverture d'une taille plus petite.
Les flammes sont jaunes et une odeur de gaz est présente.	<ol style="list-style-type: none"> 1. L'obturateur d'air n'est pas réglé correctement. 2. Des araignées ou des insectes bloquent l'obturateur d'air. 3. Fuites de gaz. 	<ol style="list-style-type: none"> 1. Dégagez l'obturateur et ajustez l'ouverture jusqu'à ce que des flammes bleues apparaissent. Gaz propane : ouverture de 6,35 mm. Gaz naturel : ouverture de 3,18 ou moins. 2. Nettoyez les blocages. 3. Trouvez la source de la fuite.
Flambées excessive.	<ol style="list-style-type: none"> 1. Cuisson de viandes grasses avec les boutons réglés à HIGH. 2. Eau vaporisée sur les flammes. 3. Couvercle du gril fermé durant la cuisson. 	<ol style="list-style-type: none"> 1. Faites griller les viandes grasses lorsque la grille de cuisson est froide, et le gaz réglé à "LOW". Placez la viande sur la grille de réchaud si les flambées continuent, jusqu'à ce que les flammes aient diminué. 2. N'arrosez jamais des flammes de gaz avec de l'eau. 3. Laissez le couvercle ouvert pendant la cuisson.
Le brûleur s'éteint.	<ol style="list-style-type: none"> 1. Bonbonne de GPL vide. 2. Brûleur non aligné avec la soupape de contrôle. 3. Alimentation en gaz insuffisante. 	<ol style="list-style-type: none"> 1. Remplissez la bonbonne de GPL. 2. Installez le brûleur correctement. 3. Vérifiez que le boyau d'alimentation en gaz n'a aucune fuite et aucun noeud.

Problème	Cause possible	Mesure corrective											
Faible chaleur; gaz propane.	Le régulateur de propane comprend un dispositif de contrôle d'excès de débit, conçu pour alimenter le gril avec un débit de gaz suffisant. Des changements rapides de pression peuvent déclencher ce dispositif de contrôle, ce qui entraînera une faible flamme et une basse température.	<p>Veillez suivre les directives suivantes:</p> <ol style="list-style-type: none"> 1. Vérifiez que tous les brûleurs sont bien à "OFF". 2. Ouvrez la soupape de la bonbonne et attendez 5 minutes. 3. Allumez un brûleur à la fois, en suivant les directives d'allumage indiquées à l'intérieur de la porte. 											
Faible chaleur; gaz naturel.	La pression de gaz est affectée de façon importante par le type et la longueur de conduite de gaz entre la maison et le gril.	<p>Vérifiez votre conduite de gaz et corrigez la situation selon les directives ci-dessous.</p> <table border="1" style="margin-left: auto; margin-right: auto;"> <thead> <tr> <th colspan="2">De la maison au gril</th> </tr> <tr> <th>Distance</th> <th>Format du tuyau</th> </tr> </thead> <tbody> <tr> <td>Jusqu'à 7,6 m</td> <td>diamètre de 9,5 mm</td> </tr> <tr> <td>7,9 à 15,2 m</td> <td>diamètre de 12,7 mm</td> </tr> <tr> <td rowspan="2">15,5 à 30,5 m</td> <td>8,5 mm de course 12,7 mm</td> </tr> <tr> <td>16,9 mm de course 19,1 mm</td> </tr> </tbody> </table>	De la maison au gril		Distance	Format du tuyau	Jusqu'à 7,6 m	diamètre de 9,5 mm	7,9 à 15,2 m	diamètre de 12,7 mm	15,5 à 30,5 m	8,5 mm de course 12,7 mm	16,9 mm de course 19,1 mm
De la maison au gril													
Distance	Format du tuyau												
Jusqu'à 7,6 m	diamètre de 9,5 mm												
7,9 à 15,2 m	diamètre de 12,7 mm												
15,5 à 30,5 m	8,5 mm de course 12,7 mm												
	16,9 mm de course 19,1 mm												
Faible chaleur avec le bouton à la position "HIGH".	<ol style="list-style-type: none"> 1. Les ports sont bloqués. 2. La bonbonne de GPL est vide. 	<ol style="list-style-type: none"> 1. Nettoyez les ports et éliminez les obstructions. 2. Faites remplir la bonbonne de propane. 											
Baisse soudaine de gaz ou flamme basse.	<ol style="list-style-type: none"> 1. Il n'y a plus de gaz. 2. La soupape d'excès de débit a été déclenchée. 3. Il y a de la vapeur au niveau raccord / bonbonne. 	<ol style="list-style-type: none"> 1. Vérifiez que la bonbonne contient encore du gaz. 2. Fermez les boutons, attendez 30 secondes et allumez le gril. Si les flammes sont encore faibles, fermez les boutons et la soupape de la bonbonne de GPL. Débranchez le régulateur. Rebranchez-le et vérifiez la présence de fuites. Ouvrez la soupape de GPL, attendez 30 secondes puis allumez le gril. 3. Fermez les boutons et la soupape de la bonbonne de GPL. Déconnectez le raccord de la bonbonne. Resserez-le en place et réessayez. 											



2-QUEMADOR DE INFRARROJOS PROPANO LÍQUIDO PARRILLA DE GAS

MODELO: IR2818-1



ADVERTENCIA

La instalación, ajuste, alteración, reparación o mantenimiento inadecuados pueden ocasionar lesiones o daños a la propiedad. Lea detenidamente este manual de instrucciones antes de instalar o reparar este equipo.



ADVERTENCIA

1. No almacene ni utilice gasolina u otros vapores o líquidos inflamables cerca de éste u otro electrodoméstico.
2. No se deben almacenar tanques de PL que no estén conectados y en uso cerca de éste u otro electrodoméstico.



PELIGRO

Si percibe olor a gas:

1. Cierre el suministro de gas hacia el electrodoméstico.
2. Apague cualquier llama directa.
3. Abra la tapa.
4. Si el olor persiste, manténgase alejado del electrodoméstico y llame de inmediato a su proveedor de gas o al departamento de bomberos.



ADVERTENCIA

Sólo para uso en exteriores





ADJUNTE SU RECIBO AQUÍ

Número de serie _____ Fecha de compra _____





Preguntas, problemas, piezas faltantes? Antes de volver a la tienda, llame a nuestro Departamento de Servicio al Cliente al 1-888-804-7455, de lunes a jueves de 8:00 a.m. a 6:00 p.m., y los viernes de 8:00 a.m. a 5:00 p.m., hora estándar del Este.

 **PELIGRO** 

Si detecta olor a gas:

1. Cierre el gas que va a la unidad.
2. Extinga cualquier llama expuesta.
3. Abra la tapa.
4. Si el olor continúa, manténgase alejado de la unidad y llame de inmediato a la compañía que le suministra el gas o al departamento de bomberos local.

 **ADVERTENCIA** 

1. No almacene ni utilice gasolina ni otros líquidos o vapores inflamables cerca de esta ni de ninguna otra unidad.
2. No deberá almacenar cerca de la parrilla ni de ninguna otra unidad un cilindro de LP que no esté conectado para ser utilizado.

Llame al Centro de Servicio de Parrillas para obtener ayuda o repuestos

Si tiene dudas o necesita asistencia durante el ensamblaje, llame al 1-888-804-7455. Hablará con un representante del fabricante de la parrilla.

Registro del producto



IMPORTANTE: Llene la información sobre el registro del producto que aparece a continuación.

Nº del modelo _____

Nº de serie _____

Refiérase a la etiqueta de clasificación de la parrilla para el número de serie.

Fecha de compra _____

 **PRECAUCIÓN** 



Para uso residencial únicamente. No utilice para cocción comercial.

Precauciones de seguridad para la instalación



- Utilice la parrilla, como la compró, sólo con gas LP (propano) y el ensamble de regulador/válvula que se suministra. Deberá comprar un kit de conversión para uso con gas natural.
- La instalación de la parrilla deberá conformarse con la normativa local, o en ausencia de esta, con la *Normativa Nacional para Combustible de Gas, ANSI Z223.1/ NFPA 54, Normativa para instalación de gas natural y propano, CSA B149.1, o la Normativa para almacenaje y manejo de propano, B149.2, o la Norma para vehículos recreacionales, ANSIA 119.2/NFPA 1192, y CSA Z240 Serie RV, Normativa para vehículos recreacionales, según sea aplicable.*
- Todos los accesorios eléctricos (tales como el asador) deberán estar conectados a tierra de conformidad con las normativas locales o con la Normativa Nacional sobre Electricidad, *ANSI/ NFPA 70 o la Normativa Canadiense de Electricidad, CSA C22.1. Conserve los cables eléctricos y/o las mangueras de suministro de combustible alejadas de las superficies calientes.*
- Esta parrilla tiene certificación de seguridad para uso en Estados Unidos y/o Canadá únicamente. No modifique para utilizar en cualquier otra ubicación. La modificación constituirá un riesgo a la seguridad.

Símbolos de seguridad

Los símbolos y recuadros que aparecen a continuación explican lo que cada enunciado significa. Lea y observe todos los mensajes que se encuentran a través del manual.

 **PELIGRO** 

PELIGRO: Indica una situación de peligro inminente que, de no evitarse, resultará en muerte o lesiones graves.

 **ADVERTENCIA** 

ADVERTENCIA: Indica una situación de peligro potencial que, de no evitarse, podría resultar en muerte o lesiones graves.

 **PRECAUCIÓN** 

ADVERTENCIA: Indica una situación de peligro potencial que, de no evitarse, podría resultar en muerte o lesiones graves.

ÍNDICE

Para su seguridad.....	61
Centro de Servicio para la parrilla.....	61
Información de registro del producto.....	61
Símbolos de seguridad.....	61
Precauciones de seguridad para la instalación.....	61
Garantía de la parrilla.....	63
Uso y cuidado.....	64-70
Gas Natural Kit de conversión.....	71
Lista de piezas.....	72
Diagrama de piezas.....	73
Ensamblaje.....	74-83
Instrucciones de conversión de gas natural.....	84-86
Solución de problemas.....	87-88



ADVERTENCIA



La cubierta del quemador lateral debe estar abierto cuando el quemador lateral está en funcionamiento.

Para el instalador: Deje este manual con el consumidor.

Para el consumidor: Conserve este manual para futuras referencias.



ADVERTENCIA



PROPOSICIÓN 65 DE CALIFORNIA

1. Los productos derivados de la combustión producidos al utilizar este producto contienen químicos que, según el parecer del Estado de California, son causa de cáncer, producen deformaciones a los recién nacidos, y otras alteraciones reproductivas.
2. Este producto contiene químicos, como plomo y otros compuestos por este, que, según el Estado de California, son causa de cáncer, y producen deformaciones a los recién nacidos y otras alteraciones reproductivas.

Lave sus manos luego de utilizar este producto.



ADVERTENCIA



PELIGRO DE INCENDIO DE MATERIAS GRASAS

- No es imposible apagar incendios producidos por materias grasas cerrando la tapa de la parrilla. Las rejillas de la misma poseen suficiente ventilación por razones de seguridad.
- No intento apagar incendios producidos por materias grasas arrojando agua, ya que hacerlo podría resultar en daños graves hacia al personal. Utilice guantes para proteger sus manos y gire las perillas y el cilindro de LP.
- Al precalentar o quemar los residuos de comida sobre el HI, no desatienda la parrilla. Un incendio como este puede ocurrir si la misma no ha sido limpiada de manera regular.

ATENCIÓN: El uso de botellas spray para extinguir llamas puede causar choques térmicos que dañen las superficies cerámicas creando grietas sobre las mismas. El agua se podrá filtrar entre las grietas y causar la oxidación del metal.

GARANTÍA

GARANTÍA LIMITADA DE LA PARRILLA

JUNTO A UN COMPROBANTE DE VENTA, la siguiente garantía es efectiva cuando la instalación, manipulación y mantenimiento hayan sido llevados a cabo correctamente según lo establecido en todas las instrucciones suministradas.

Un año de garantía general: A partir de la fecha de venta de este aparato está garantizado contra defectos de material o mano de obra. Un aparato está defectuoso, recibirá la reparación o sustitución gratuita a opción del vendedor.

Quemador de cinco años de garantía: A partir de la fecha de venta, cualquier quemador de acero inoxidable que se oxide o quemaduras a través será reemplazado de forma gratuita. Un nuevo quemador se suministra sin costo alguno. Usted es responsable de los costes laborales de la instalación del quemador.

La garantía no cubre las baterías de ignición, la pérdida de la pintura de la parrilla u oxidación de la superficie; dado que estas partes reemplazables se desgastan por el uso normal de los mismos durante o fuera del periodo de garantía, o que bien pueden resultar del uso y mantenimientos inapropiados, o accidentes.

La garantía no incurrirá cuando el producto no sea utilizado con fines hogareños.

Esta garantía SOLO cubre los defectos en daños materiales y de fabricación, y NO:

1. Los artículos que resulten dañados por el desgaste de su uso normal dentro del periodo de garantía, incluyendo, pero no limitándose a: baterías, focos, y las superficies o terminaciones.
2. Un técnico que limpie o mantenga el aparato, o que guíe al usuario en la instalación, manipulación o mantenimiento del producto.
3. Las llamadas de asistencia cuando se lleva a cabo una instalación por personal no autorizado, o la reparación de mecheros, interruptores de circuito, cableado, y sistemas de plomería o de suministro de gas que resulten de dicha instalación.
4. Los daños o fallas de este producto que resulten de la instalación no realizada por agentes de servicio autorizados, incluyendo las instalaciones que no hayan cumplido con los códigos normativos de electricidad, de gas o de los de plomería.
5. Los daños o fallas de este producto, incluyendo la decoloración u oxidación superficial, resultantes de la mala operación y mantenimientos al no haber seguido las instrucciones provistas.
6. Los daños o fallas de este producto, incluyendo la decoloración u oxidación superficial, resultantes de accidentes, alteraciones, abusos, malos usos o usos distintos a los usos previstos.
7. Los daños o fallas de este producto, incluyendo la decoloración u oxidación superficial, causadas por el uso de detergentes, limpiadores, químicos u otros utensilios distintos a los recomendados en las instrucciones provistas.
8. Los daños o fallas de este producto que resulten de catástrofes naturales, como inundaciones, incendios o tormentas.
9. Los daños o fallas de las partes o sistema, resultantes de modificaciones no autorizadas sobre este producto.
10. Servicios a aquellos productos cuyas placas, con sus respectivos modelos y números de series, hayan sido removidas alteradas; o cuyos logos de certificación no puedan ser determinados con facilidad.

Exclusión de garantías implícitas; limitación de los recursos

El único y exclusivo recurso del cliente contenido en esta declaración de garantía limitada es la reparación o reemplazo del producto. Las garantías implícitas, como las de comerciabilidad o aptitud para un propósito específico, están limitadas a un año para el aparato y a cinco años para los quemadores, o los periodos mínimos establecidos por la ley. El vendedor no será responsable de daños incidentales o causales. Algunos estados y provincias no permiten la exclusión o limitación de los daños incidentales o causales, o la limitación de la duración de las garantías implícitas de comerciabilidad o aptitud para un propósito específico, por lo que estas excepciones o limitaciones no podrían ser aplicables a usted.

Esta garantía solo aplica cuando el aparato es usado dentro de los Estados Unidos.

Esta garantía enumera ciertos derechos específicos suyos, pero podrá ser beneficiado por otros derechos según los diferentes estados.

USO Y CUIDADO



PELIGRO



- **NUNCA** guarde un cilindro de repuesto de LP debajo ni cerca de la parrilla ni en un área encerrada

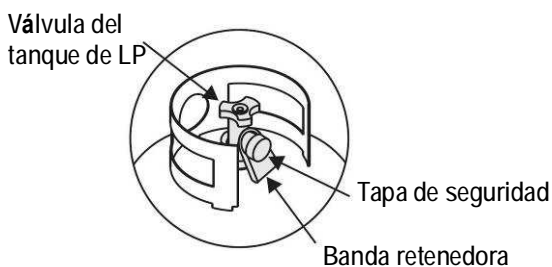


- Nunca llene un cilindro a más del 80% de su capacidad.
- Si la información de los dos puntos anteriores no se sigue exactamente, puede ocurrir un incendio que ocasione la muerte o lesiones graves.
- Un cilindro que se haya llenado excesivamente o inadecuadamente almacenado es un peligro debido a la posibilidad de que la válvula de seguridad para alivio de la presión libere gas. Esto podría ocasionar un incendio intenso con riesgo de daños a la propiedad, lesiones graves o la muerte.
- Si ve, huele o escucha gas escapando, aléjese inmediatamente del cilindro de LP y de la parrilla y llame al departamento de bomberos.

Remoción del tanque de LP, transporte y almacenaje

- Cierre (gire a OFF) todas las perillas de control y la válvula del tanque de LP. Gire la tuerca de acople en el sentido antihorario manualmente solamente – no utilice herramientas para desconectar. Levante el cable del tanque de LP de la anilla del tanque LP, luego levante el tanque y sáquelo del soporte. Instale la tapa de seguridad en la válvula del tanque de LP. Siempre utilice la tapa y la banda que se suministra con la válvula.

No utilizar la tapa de seguridad como se indica puede ocasionar lesiones personales graves y/o daño a la propiedad.



- Un tanque de LP desconectado para almacenar o transportar deberá tener colocada la tapa de seguridad (como se ilustra). No almacene un tanque de LP en espacios cerrados tales como un puesto de estacionamiento, garaje, porche, patio cubierto u otro

edificio. Nunca deje un tanque de LP dentro de un vehículo que pueda recalentarse con el sol.

- No guarde un tanque de LP en un área donde jueguen los niños.

Cilindro de LP

- El cilindro de LP utilizado con su parrilla deberá cumplir con los siguientes requisitos:
- Utilice los cilindros de LP con estas medidas requeridas: 12" (30,5 cm) (diámetro) x 18" (45,7 cm) (alto) con 20 lb. (9,1 kg) de capacidad máxima.
- Los cilindros de LP deberán estar fabricados y marcados de acuerdo con las especificaciones para cilindros LP del Departamento de Transporte de EE.UU. (DOT) o para Canadá, CAN/CSA-B339, cilindros, esferas y tubos para transporte de mercancías peligrosas. Transport Canada (TC). Refiérase al anillo del cilindro LP para las marcas.
- La válvula del cilindro LP deberá tener:
- Salida tipo 1 compatible con el regulador o la parrilla.
- Válvula de alivio de la presión.
- Dispositivo de protección contra el sobrellenado con clasificación UL (OPD). Esta característica OPD de seguridad se identifica por una rueda manual triangular única. Utilice **sólo** los cilindros LP equipados con este tipo de válvula.
- El cilindro LP deberá estar acondicionado para salida de vapor e incluir un anillo para proteger la válvula LP del cilindro. Siempre conserve los cilindros LP en posición vertical durante el uso, tránsito o almacenaje.



Rueda manual OPD

Cilindro de LP en posición vertical para la eliminación del vapor

LP (Gas Licuado de Petróleo)

- El gas propano no es tóxico, inodoro e incoloro cuando se produce. Para su seguridad, el gas LP tiene terminado el juego un olor (similar a col podrida) de manera que se pueda oler.
- El gas propano es sumamente inflamable y puede encender de forma inesperada cuando se mezcla con el aire.

Llenado del cilindro LP

- Utilice sólo distribuidores autorizados y experimentados.
- El distribuidor LP **deberá** purgar el cilindro nuevo antes de llenarlo.
- El distribuidor **NUNCA** deberá llenar el cilindro LP más del 80% del volumen del cilindro LP. El volumen de propano en el cilindro variará con la temperatura.
- Un regulador con escarcha indicará que está sobrellenado. Cierre inmediatamente la válvula del cilindro LP y llame al distribuidor de gas LP local para asistencia.
- No libere gas de propano líquido (LP) en la atmósfera. Esta es una práctica peligrosa.
- Para retirar el gas del cilindro LP, contacte a un distribuidor LP o llame a los bomberos locales para obtener asistencia. Revise el directorio telefónico bajo "Compañías de Gas" para el distribuidor de LP certificado más cercano.


Intercambio del tanque LP

- Muchos distribuidores que venden parrillas ofrecen la opción de reemplazar su tanque vacío de LP a través de un servicio de intercambio. Utilice sólo las empresas de intercambio con reputación que inspeccionan, llenan con precisión, prueban y certifican sus cilindros. Intercambie su tanque sólo por un tanque equipado con la característica de seguridad OPD según se describe en la sección "Tanque LP" de este manual.
- Siempre conserve los tanques LP nuevos e intercambiados en posición vertical durante el uso, transporte o almacenaje.
- Haga la prueba de fugas en los tanques LP intercambiados ANTES de conectarlo a la parrilla.


Prueba de fuga del tanque LP

Para su seguridad

- La prueba de fuga deberá repetirse cada vez que se intercambia o se rellena un tanque de LP.
- No fume durante la prueba de fugas.
- No utilice una llama expuesta para revisar las fugas de gas.
- La parrilla deberá probarse en busca de fugas en exteriores, en un área bien ventilada, alejada de las fuentes de ignición tales como los aparatos de encendido a gas o eléctrico. Durante la prueba de fugas, mantenga la parrilla alejada de las llamas expuestas o chispas.
- Utilice una brocha limpia y una solución de 50/50 detergente suave y agua. Aplique la solución jabonosa en las áreas que indican las flechas de la figura. Las fugas se identifican mediante burbujas crecientes.

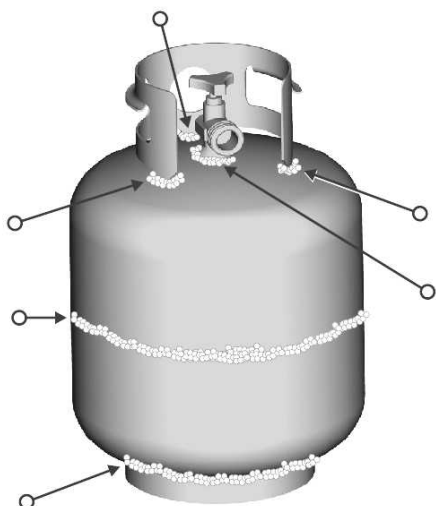


ADVERTENCIA



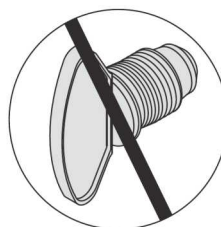
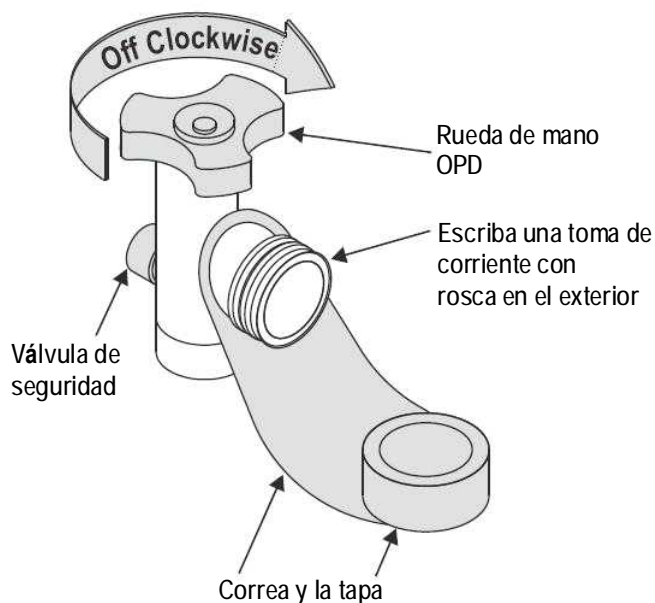
Si aparecen burbujas "creciendo" no utilice ni mueva el tanque de LP. ¡Contacte un distribuidor de gas LP o a los bomberos!

- ▲ No utilice agentes limpiadores domésticos. Podrían causar daños a los componentes y tuberías de gas (válvula/manguera/regulador).



Cómo conectar el regulador al tanque de LP

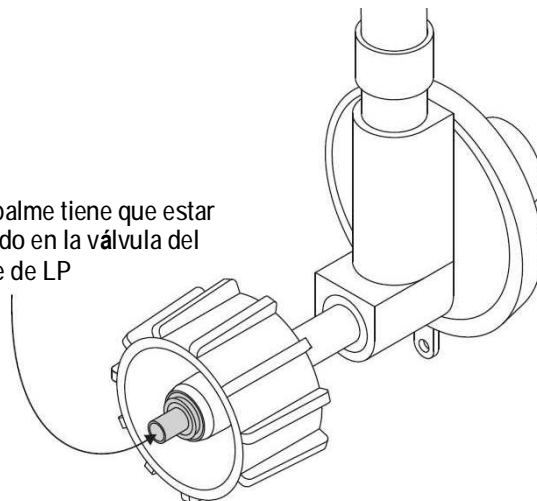
1. El tanque de LP deberá estar adecuadamente fijado a la parrilla. (Refiérase a la sección de ensamblaje).
2. Gire todas las perillas de control a la posición OFF.
3. Coloque el tanque de LP en la posición OFF girando la rueda manual OPD en sentido horario hasta que se detenga totalmente.
4. Retire la tapa protectora de la válvula del tanque LP. Siempre utilice la tapa y la banda que se suministran con la válvula.

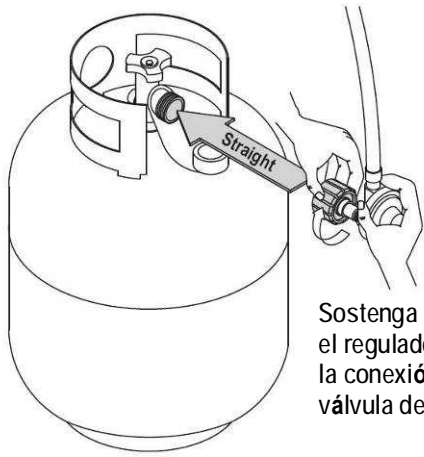


No inserte un tapón de transporte POL (pieza plástica con roscas externas) en la salida tipo 1 de la válvula del tanque. Anulará la función de la válvula de seguridad.

5. Sostenga el regulador e inserte el empalme en la válvula del tanque de LP. Apriete a mano la tuerca de acople, sosteniendo el regulador en línea recta con la válvula del tanque de LP a objeto de no dañar la rosca.

El empalme tiene que estar centrado en la válvula del tanque de LP





Sostenga la tuerca de empalme y el regulador como se ilustra para la conexión adecuada a la válvula del tanque de LP.

- Gire la tuerca de acople en el sentido horario y apriete hasta que se detenga completamente. El regulador sellará en la función disminución de e revisión de la válvula amortiguadora del tanque de LP, lo cual ocasiona cierta resistencia. Se necesita un giro adicional de mitad o tres cuartos para completar la conexión. Apriete a mano únicamente – no utilice herramientas.

NOTA:

Si no puede completar la conexión, desconecte el regulador y repita los pasos 5 y 6. Si aún no puede concluir la conexión, ¡no utilice este regulador! Llame al 1-888-804-7455 para obtener asistencia.

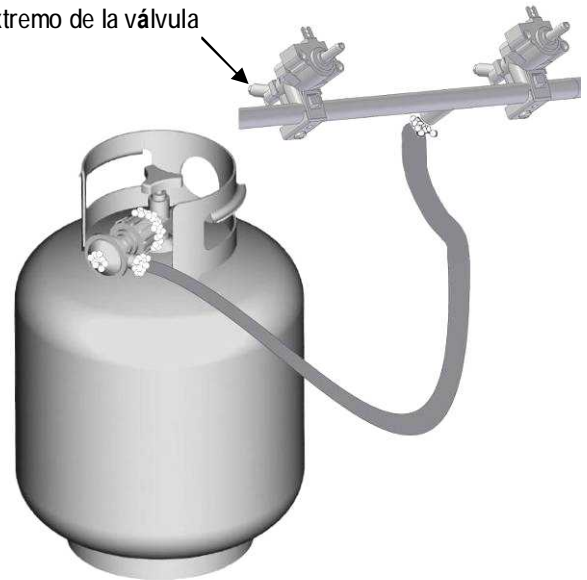
	PELIGRO	
<ul style="list-style-type: none"> No inserte ninguna herramienta ni objeto extraño en la salida de la válvula ni en la válvula de seguridad. Puede dañar la válvula y ocasionar una fuga. Las fugas de propano podrían ocasionar una explosión, incendio, lesiones personales graves o la muerte. 		

	ADVERTENCIA	
<ul style="list-style-type: none"> Las unidades de gas para exteriores no están diseñadas para ser instaladas en un barco. Las unidades de gas para exteriores no están diseñadas para ser instaladas en vehículos recreacionales. Nunca intente fijar esta parrilla al sistema de gas LP autónomo de una caravana, remolque o casa rodante. No utilice la parrilla hasta que haya efectuado la prueba de las fugas. Si detecta una fuga en cualquier momento, PARE y llame a los bomberos. Si no puede detener una fuga de gas <i>inmediatamente</i> cierre la válvula del cilindro LP y ¡llame al distribuidor de gas o a los bomberos! 		

Válvulas para prueba de fugas, manguera y regulador

- Gire todas las perillas de control de la parrilla a la posición OFF (cerrado).
- Cerciórese de que el regulador esté conectado de forma bien ajustada al tanque de LP.
- Abra completamente la válvula del tanque de LP girando la rueda manual OPD en el sentido antihorario. Si escucha un *sonido semejante a una ráfaga*, cierre el gas inmediatamente. Hay una fuga importante en la conexión. Corrija antes de proceder llamando a para obtener piezas de repuesto al 1-888-804-7455.
- Aplique la solución jabonosa con una brocha en las áreas donde aparecen burbujas en la ilustración:

▲ Nunca retire el anillo roscado del extremo de la válvula

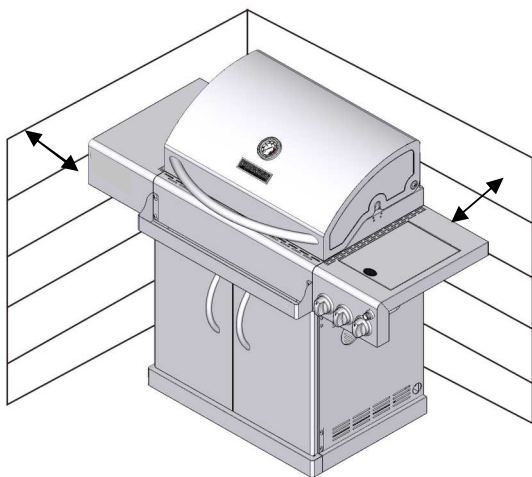


- Si aparecen burbujas que “crecen”, hay una fuga. Cierre la válvula del tanque de LP inmediatamente y vuelva a apretar las conexiones. Si no puede detener las fugas no trate de repararlas. Llame a para pedir piezas de repuesto al 1-888-804-7455.
- Siempre cierre la válvula del tanque de LP después de realizar la prueba de fugas, girando la rueda manual en el sentido horario.

⚠️ ADVERTENCIA ⚠️

Para el uso seguro de su parrilla y para evitar lesiones graves:

- No permita que los niños hagan funcionar la parrilla ni deje que jueguen cerca de ella.
- Conserve el área de la parrilla despejada y sin materiales que pudiesen arder.
- No obstruya los agujeros de los costados o la parte posterior de la parrilla.
- Revise las llamas del quemador regularmente.
- Utilice la parrilla sólo en un espacio bien ventilado. **NUNCA** la utilice en un espacio cerrado tal como un puesto de estacionamiento, garaje, porche, patio cubierto o bajo una estructura de cualquier tipo.
- No use carbón ni briquetas de cerámica en una parrilla de gas. (A menos que las briquetas se suministren con su parrilla.)
- Use la parrilla a una distancia de al menos 3' (91 cm) de cualquier pared o superficie. Mantenga una separación de 10' (3 m) de los objetos que puedan incendiarse o de las fuentes de ignición como luces de encendido de calentadores de agua, electrodomésticos con conexión activa, etc.



- **Ocupantes de apartamentos:**
Revisen con la administración para conocer los requisitos y las normativas sobre incendio relativas al uso de una parrilla de gas LP en su complejo de apartamentos. Si se permiten, utilice fuera sobre piso de planta baja con una separación de 3 pies (91 cm) de paredes o barandas. No utilice en balcones o debajo de ellos.
- **NUNCA** intente encender un quemador con la tapa cerrada. Una acumulación de gas sin encender dentro de una parrilla cerrada es peligrosa.
- Nunca haga funcionar la parrilla si el cilindro de LP no está en la posición correcta especificada en las instrucciones de ensamblaje.
- Siempre cierre la válvula del cilindro de LP y retire la tuerca de acople antes de mover el cilindro de la posición especificada para el funcionamiento.

Consejos prácticos sobre seguridad



- ▲ Antes de abrir la válvula del cilindro de LP, verifique que la tuerca de acople esté bien apretada.
- ▲ Cuando la parrilla no esté en uso, cierre todas las perillas de control y la válvula del cilindro LP.
- ▲ Nunca mueva la parrilla mientras esté en funcionamiento o aún caliente.
- ▲ Utilice utensilios de mango largo para parrilla y guantes para horno para evitar quemaduras o salpicaduras.
- ▲ La carga máxima para el quemador lateral y el anaquel lateral es 10 lb (4,6 kg).
- ▲ La bandeja recolectora de grasa deberá estar insertada en la parrilla y vaciarse después de cada uso. No retire la bandeja de grasa hasta que la parrilla se haya enfriado completamente.
- ▲ Limpie la parrilla a menudo, preferiblemente después de terminar cada parrillada al aire libre. Si utiliza una brocha de cerdas para limpiar cualquiera de las superficies de cocción de la parrilla, cerciórese de no dejar cerdas sueltas en las superficies de cocción antes de asar. No se recomienda limpiar las superficies de cocción mientras estén calientes.
- ▲ Si observa grasa u otro material caliente goteando de la parrilla en la válvula, manguera o regulador, apague el suministro de gas inmediatamente. Determine la causa, corríjala y limpie e inspeccione la válvula, manguera y regulador antes de continuar. Realice una prueba de fugas.
- ▲ Las aberturas de ventilación en el compartimiento del cilindro (en el carrito de la parrilla) deben mantenerse sin obstrucciones ni desechos.
- ▲ No almacene objetos ni materiales dentro del compartimiento del carrito de la parrilla que pudiesen bloquear el flujo del aire de combustión a la parte inferior del panel de control o del tazón de la cámara de combustión.
- ▲ El regulador puede hacer un sonido de silbido o zumbido durante el funcionamiento. Esto no afecta la seguridad ni el uso de la parrilla.
- ▲ Si tiene un problema con la parrilla, refiérase a la "Sección de solución de problemas".
- ▲ Si el regulador se congela, apague la parrilla y la válvula del cilindro de LP de inmediato. Esto indica un problema con el cilindro y no debe ser utilizado con ningún producto. ¡Regrese al distribuidor!



⚠️ PRECAUCIÓN ⚠️

- Apagar los incendios que produce la grasa cerrando la tapa no es posible. Las parrillas están bien ventiladas por razones de seguridad.
- No utilice agua en un incendio ocasionado por la grasa. Podrían ocurrir lesiones personales. Si se desarrolla un incendio originado por la grasa, gire las perillas y el cilindro de LP a la posición de apagado.
- No deje la parrilla desatendida mientras precalienta o limpia mediante el calor los residuos de comidas en "HI". Si la parrilla no se ha limpiado regularmente, puede ocurrir un incendio causado por la grasa que pudiera dañar el producto.

Cómo encender la parrilla con el encendedor

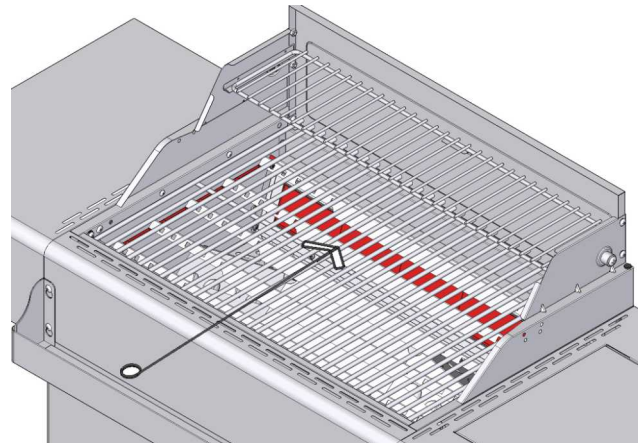
1. Lea las instrucciones antes de encender la parrilla.
2. Abra la tapa durante el encendido.
3. Abra la válvula del cilindro de LP o gas natural.
4. Presione hacia adentro cualquier perilla de control del quemador y gire la perilla hacia la izquierda a la posición "HI".
Continúe presionando la perilla hasta que el quemador se encienda.
5. Si no enciende en 5 segundos, apague el control del quemador, espere 5 minutos para que se disipe el gas y repita el procedimiento de encendido.
6. Para encender otros quemadores, repita el paso 4.
NOTA: Si el encendedor no funciona, siga las instrucciones de encendido con fósforos.

	ADVERTENCIA	
<p>Apague (coloque en OFF) los controles y la alimentación de gas del tanque cuando no esté en uso. Por favor, asegúrese de que la bandeja de goteo y la taza de goteo están instalados correctamente antes de encender los quemadores de encendido. Bandeja de goteo está caliente cuando esta en y después de la parrilla. No toque la bandeja de goteo cuando hace calor.</p>		

	PRECAUCIÓN	
<p>Si no enciende en 5 segundos, apague el control del quemador, espere 5 minutos y repita el procedimiento de encendido. Si el quemador no enciende con la válvula abierta, el gas continuará fluyendo por el quemador y podría encenderse accidentalmente con el riesgo de lesiones.</p>		

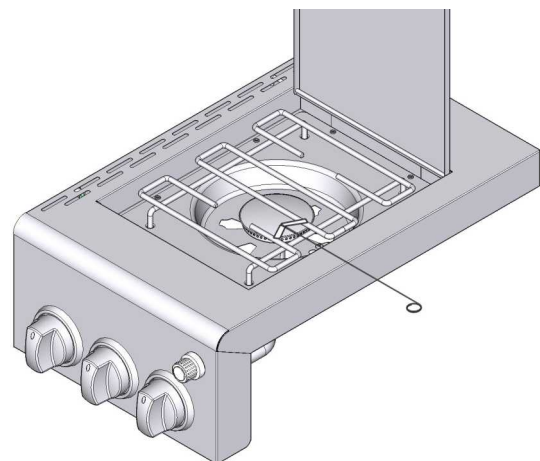
Encendido con fósforos

- ▲ No se incline sobre la parrilla para encenderla.
1. Abra la tapa durante el encendido.
 2. Coloque el fósforo en el portafósforos (que cuelga del costado del carrito). Encienda el fósforo, colóquelo en la cámara de combustión.
 3. Presione hacia adentro y gire la perilla derecha a la posición HIGH. Cerciórese de que el quemador prende y permanece encendido.
 4. Encienda otros quemadores presionando la perilla hacia adentro y girando a la posición HI.



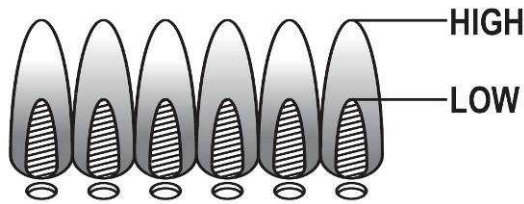
Quemador lateral de ajuste de iluminación

1. Abra la tapa del quemador lateral. Encienda el gas en el tanque de gas.
2. Lugar partido en partido titular. Coinciden con la luz. Coloque partido cama cerca del quemador.
3. Gire el mando del quemador lateral en HI. Sé el quemador se encienda seguras y se mantiene la cama.



Revisión de la llama del quemador

- Retire las rejillas de cocción y los difusores de calor. Encienda los quemadores, gire las perillas de HIGH a LOW. Debe ver una llama más pequeña en la posición LOW que la que vio en HIGH. Efectúe una revisión de la llama del quemador en el quemador lateral también. Siempre revise la llama antes de cada uso.



Cómo apagar la parrilla

- Gire todas las perillas a la posición OFF. Coloque el tanque de LP en la posición OFF girando la rueda manual en sentido horario hasta que se detenga totalmente.

Revisión del encendedor

- Cierre el gas en el cilindro de LP. Presione la perilla de control hacia adentro y gire la perilla hacia la izquierda a la posición "HI". Debe escuchar un "clic" y ver una chispa cada vez entre la caja colectora o el quemador y el electrodo. Refiérase a "Solución de problemas" si no escucha un clic ni ve una chispa.

Revisión de la válvula

- Importante: Cerciórese de que el gas esté apagado en el cilindro de LP antes de revisar las válvulas. Las perillas trancan en la posición OFF. Para revisar las válvulas, primero presione las perillas hacia adentro y suelte, las perillas deben regresar hacia atrás mediante el resorte. Si no lo hacen, reemplace el ensamble de la válvula antes de utilizar la parrilla. Gire las perillas a la posición LOW y luego nuevamente a OFF. Las válvulas deben girar suavemente.

Revisión de la manguera

- Antes de cada uso, revise si las mangueras tienen algún corte o están gastadas. Cambie las mangueras gastadas antes de utilizar la parrilla. Utilice sólo piezas de repuesto idénticas para válvula/manguera/regulador según lo especificado en la Lista de piezas de esta guía de uso y cuidado.

Limpieza general de la parrilla

- No confunda la acumulación de grasa y humo marrón o negro con la pintura. El interior de las parrillas de gas no está pintado de fábrica (y nunca debe pintarse). Aplique una solución fuerte de agua y detergente o utilice un limpiador de parrilla con un cepillo para frotar en las partes internas de la tapa o la parte inferior de la parrilla. Enjuague y deje secar completamente al aire. No aplique limpiador cáustico para parrilla/horno a las superficies pintadas.
- Partes plásticas: Lave con agua caliente jabonosa y seque. No utilice Citrisol, limpiadores abrasivos, desengrasadores ni un limpiador concentrado para parrilla en las partes plásticas. Pueden ocurrir daños y falla en esas partes.
- Superficies de porcelana: Debido a la composición semejante al vidrio, la mayoría de los residuos pueden limpiarse con una solución de bicarbonato de soda/agua o un limpiador especialmente formulado. Utilice polvo no abrasivo

para frotar las manchas rebeldes.

- Superficies pintadas: Lave con detergente suave o limpiador no abrasivo y agua jabonosa tibia. Seque con un paño suave no abrasivo.
- Bandeja de grasa y la Copa: Limpie regularmente los goteos de grasa de la bandeja de grasa y la grasa de la Copa.

Cuando la parrilla se haya enfriado completamente después de su uso, retire la copa de la bandeja y deslice la bandeja de la parrilla. Limpie la grasa de las superficies de la taza y de la bandeja de lavado con un detergente suave o un limpiador no abrasivo y agua tibia jabonosa. Seque con un paño suave no abrasivo. Deslice la bandeja en la parrilla y sustituir la copa de nuevo en la bandeja antes de usar la parrilla nuevamente.

- Superficies de acero inoxidable: Para conservar la apariencia de alta calidad de su parrilla, lávela con agua tibia y detergente suave y séquela con un paño suave después de cada uso. Los depósitos de grasa adherida podrán requerir el uso de una almohadilla de limpieza plástica abrasiva. Utilice sólo en la dirección del acabado cepillado para evitar daños. No utilice la almohadilla abrasiva en áreas con gráficos.

- Superficies de cocción: Si utiliza una brocha de cerdas para limpiar cualquiera de las superficies de cocción de la parrilla, cerciórese de no dejar cerdas sueltas en las superficies de cocción antes de asar. No se recomienda limpiar las superficies de cocción mientras estén calientes.
- Bandeja para grasa y la Copa: Regularmente limpiar la grasa de la bandeja para grasa y el recipiente para la grasa.

Cuando la parrilla se haya enfriado completamente después de su uso, retire la copa de la bandeja y deslice la bandeja de la parrilla. Limpie la grasa de las superficies de la taza y la bandeja de lavado con detergente suave o limpiador no abrasivo y agua tibia jabonosa. Seque con un paño suave no abrasivo. Deslice la bandeja en la parrilla y cambia el vaso de nuevo en la bandeja antes de usar la parrilla de nuevo.

Almacenamiento de su parrilla

- Limpiar las rejillas para cocinar.
- Almacenar en un lugar seco.
- Cuando el tanque de gas está conectado a la parrilla, almacenar al aire libre en un lugar bien ventilado y fuera del alcance de los niños.
- Cubierta de la parrilla si se almacena al aire libre. Elija entre una variedad de parrilla coberturas ofrecidas por el fabricante.
- guarde la parrilla en el interior sólo si el tanque de gas se apaga y desconectada, retirándolo de la parrilla y se almacenan al aire libre.

Seguridad alimentaria

La seguridad alimentaria es una parte muy importante de disfrutar la experiencia de cocinar al aire libre. Para conservar los alimentos protegidos de las bacterias nocivas, siga estos cuatro pasos básicos:

Limpiar: Lávese las manos, los utensilios y superficies con agua caliente jabonosa antes y después de manipular carne o aves crudas.

Separar: Separe las carnes y aves crudas de los alimentos listos para comer para evitar contaminación cruzada. Utilice un plato y utensilios limpios para retirar los alimentos cocinados.

Cocinar: Cocine las carnes y aves completamente para matar las bacterias. Use un termómetro para comprobar las temperaturas internas adecuadas de los alimentos.

Refrigerar: Refrigere los alimentos preparados y las sobras rápidamente.

Cómo saber si la carne está totalmente asada

- La carne y las aves cocinadas a la parrilla a menudo se doran muy rápido por fuera. Use un termómetro de carnes para cerciorarse de que el alimento haya alcanzado una temperatura interna segura y haga cortes para observar señales visibles de cocción.
- Las aves completas deben alcanzar 180° F (82,2°C); pechugas, 170°F (76,7°C). Los jugos deben salir transparentes y la carne no debe estar rosada.
- Las hamburguesas hechas de carne molida o pollo deben alcanzar 160°F (71,1°C), y estar marrones al medio sin jugos rosados. La carne de res, ternera y cordero, los asados y las chuletas pueden cocinarse a 145°F (62,8°C). Todos los cortes de cerdo deben alcanzar 160°F (71,1°C).
- NUNCA ase parcialmente la carne o las aves y termine de cocinar más tarde. Cocine los alimentos completamente para destruir las bacterias nocivas.
- Cuando recaliente los alimentos preparados o las carnes completamente cocidas como perros calientes, ase a 165°F (73,9°C), o hasta que desprendan humo.

ADVERTENCIA: Para cerciorarse de que sean seguro para comer, los alimentos deberán estar cocinados a la temperatura interna mínima indicada en la tabla siguiente.

Temperaturas internas mínimas seguras recomendadas por el USDA*	
Res, ternera, cordero y cerdo: Cortes enteros**	62,8 °C
Pez	62,8 °C
Res, ternera, cordero y cerdo: Picado	71,1 °C
Platos con huevo	71,1 °C
Pavo, pollo y pato: Trozos enteros y picados	73,9 °C

* Departamento de Agricultura de los Estados Unidos

**Deje reposar la carne por tres minutos antes de cortarla o consumirla.

Exigencias respecto de la conexión de gas

Gas PL

Si su parrilla funciona a gas PL, el regulador provisto

está configurado para una columna de agua de 279,4 mm (mm.c.a.) y sólo se debe usar con gas PL. La manguera y el regulador provistos de fábrica se deben usar únicamente con un tanque de gas PL de 9,10 kg.

Control de flujo excesivo y poco calor

El ensamble del regulador de propano incorpora un dispositivo de control de flujo excesivo diseñado para suministrar suficiente flujo de gas a la parrilla en condiciones normales y, al mismo tiempo, controlar el flujo de gas excesivo. Los cambios bruscos en la presión pueden activar el dispositivo de control de flujo excesivo, y producir una llama y temperatura bajas. Si abre la válvula del tanque para permitir el flujo de gas mientras la válvula del quemador está abierta, el aumento de presión activará el dispositivo. El dispositivo permanecerá cerrado hasta que la presión se regule. Esto debería ocurrir en el plazo de 5 segundos.

Para asegurarse de que esto no cause dificultad para encender la parrilla, siga estas instrucciones:

1. Asegúrese de que todas las válvulas del quemador estén en la posición "OFF" (CERRADO).
2. Abra la válvula del tanque y espere 5 segundos.
3. Encienda los quemadores uno a la vez siguiendo las instrucciones de encendido.

Consejos útiles de cuidado y mantenimiento

Antes de asar, precaliente la parrilla por 15 minutos en la posición "HI" ("ALTA") con la cubierta abajo. Para evitar llamaradas o llamas descontroladas producidas por grasa, ase la carne con la cubierta abierta. Cierre la cubierta si la carne es gruesa, el clima es frío o usa un rostizador o el método de cocción indirecta.

Siempre protéjase la mano con una agarradera o guante para cocinar al tomar contacto con una superficie caliente.

Suba la cubierta al asar carnes, especialmente pollo. Baje la cubierta al usar el método de cocción indirecta o un rostizador.

NUNCA deje la parrilla sin supervisión durante la cocción.

Después de usar, cierre la cubierta, ponga los quemadores en la posición HI durante 15 minutos para realizar una autolimpieza quemando la grasa.

Cuadro de tiempo de cuidado y mantenimiento

Parrilla	Frecuencia según el uso normal	Método de limpieza
Superficie pintada	Dos veces al año	Cera para automóviles
Superficie de acero inoxidable	Dos veces al año	Limpiador para acero inoxidable
Todas las rejillas	Después de cada uso	Queme y limpie
Rejillas de acero inoxidable	15 días	Apto para cepillo de alambre/lavaplatos
Rejillas de porcelana	15 días	Apto para frotar con agua jabonosa/lavaplatos
Cámaras de calor de quemadores	30 días	Cepillo de alambre
Quemadores	90 días	Cepillo de alambre
Interior de la caja del quemador	120 días	Productos de limpieza para el interior de parrillas

Kit de conversión a gas natural

Su parrilla se puede convertir a gas natural. La conversión la debe ejecutar un técnico especializado en gas. A continuación se muestra el Kit de conversión a gas natural (cedente de forma separada) requerido para la conversión.

Kit de conversión a gas natural

Modelo: NGKIT-01

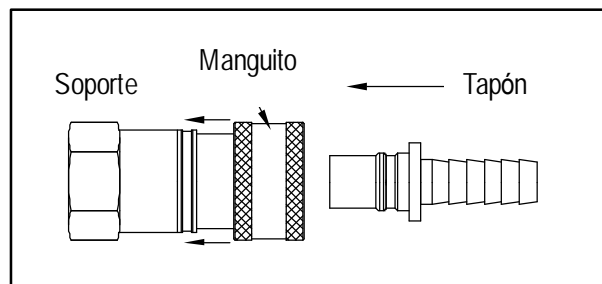
(N. de parte del fabricante: IR2818-1-KIT)

Preparación para la conexión a gas natural:

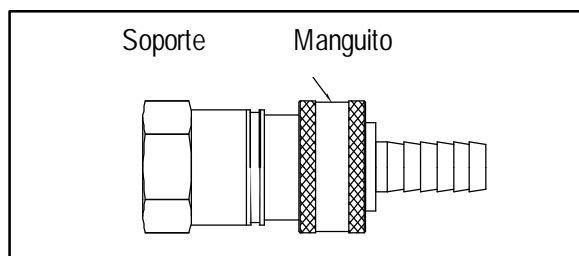
1. Cierre el suministro de gas y luego retire la tapa en el lado del suministro de gas.
2. Recomendado: Instale una válvula de cierre en el lado del suministro de gas antes de instalar el socket.
3. El socket debe ser instalado por un técnico autorizado, de acuerdo con el código nacional de gas combustible (NFPA 54/ANSI223.1).
4. Antes de insertar el tapón, abra el suministro de gas y verifique si las conexiones tienen fugas, incluyendo el vástago de la válvula de cierre y la apertura del socket. Para obtener mejores resultados, utilice una solución de jabón sin amoníaco y agua.

Instrucciones de funcionamiento:

1. Para conectar, presione hacia atrás el manguito del socket.



2. Inserte el tapón y libere el manguito.
3. Presione el tapón hasta que el manguito encaje adelante. (El gas fluirá automáticamente. No conectar el tapón al socket de forma adecuada podría impedir que el gas fluya hacia el electrodoméstico).



Para desconectar

1. Jale el manguito hacia atrás. Saque el tapón del socket. (El gas se corta automáticamente).
2. Cierre la válvula de cierre y reemplace las tapas para polvo en el socket y el tapón.

Gas natural

Si la parrilla es para gas natural, está configurada para una columna de agua de 177,8 mm (mm.c.a.) y es sólo para uso con gas natural. La presión de gas se ve afectada por el tamaño y el largo de la línea de gas proveniente de la casa. Siga las recomendaciones del siguiente cuadro.

Desde la casa hasta la parrilla	
Distancia	Tamaño de las tuberías
Hasta 7,62 m	3/8" de diámetro
De 7,92 m a 15,24 m	1/2" de diámetro
15,54 m a 30,48 m	2/3" de trayecto: 3/4" de diámetro de 1/3" de trayecto: 1/2" de diámetro
Más de 30,78 m	3/4" de diámetro

LISTA DE PIEZAS

Clave	Cant.	Descripción	Pieza del fabricante
1	1	MANGO CAMPANA	IR2818-00-4300
2	4	TAPÓN DE GOMA	3219B-8083
3	1	CAMPANA	IR2818-1-4000
4	1	INDICADOR DE TEMPERATURA	2518-4C-8012
5	1	INDICADOR DE TEMPERATURA DEL BISEL	3218LTN-00-4001
6	1	INDICADOR DE TEMPERATURA DEL MANGA	E3518-00-4009
7	2	RED BÁSICA	RB2818ST-00-2001
8	1	REJILLA PARA CALENTAR	2818-2T-2002
9	5	TIENDA DEL CALOR	IR2818-00-2004
10	1	REFLECTOR	IR2818-00-2040
11	1	CAJA DEL QUEMADOR	IR2818-00-2000
12	2	NUT	5/16-18 UNC
13	2	MANGA CAMPANA	E3518-00-0001
14	2	SCREW	5/16-18 UNC x 1"
15	2	QUEMADOR PRINCIPAL	IR2818-00-2050
16	1	ENCENDIDO PIN (QUEMADOR PRINCIPAL)	IR2818-00-8002
17	1	MANGO CUBIERTA	3218LT-00-2804
18	1	TAPA DEL QUEMADOR SIDE	E3518-00-6001-1
19	1	GRID QUEMADOR LATERAL	IR2818-00-6002
20	1	ENCENDIDO ELÉCTRICO	RT2417S-00-8004
21	1	REPISA DEL QUEMADOR SIDE	IR2818-1-6000
22	1	ENCENDIDO PIN (QUEMADOR LATERAL)	L3018SN-00-8007
23	1	QUEMADOR LATERAL	IR2818-00-8300
24	1	REGULADOR DE GLP	IR2818-00-8007
25	3	BISEL	RT2417S-00-3321
26	3	MANDO	RT2417S-00-3301
27	1	ENCENDIDO PIN (QUEMADOR PRINCIPAL)	IR2818-00-8001
28	1	MANGUERA DEL QUEMADOR PRINCIPAL (ATRÁS)	IR2818-00-8003
29	1	COLECTOR	IR2818-00-3200
30	1	MANGUERA DEL QUEMADOR PRINCIPAL (FRENTE)	2518SL-8005
31	1	BANDEJA	RB2818TN-00-2600
32	1	ESTANTE LATERAL	IR2818-00-5000
33	1	EL PANEL IZQUIERDO	IR2818-00-1700
34	1	PANEL LATERAL SOPORTE (IZQUIERDA)	2818-2T-1600
35	1	SOPORTE DE GOTEO CUP	2818-2T-1500
36	1	PILETA	P3018-00-1002
37	1	DEPÓSITO DE ANILLO	P3018-00-1203
38	1	SOPORTE DEL TANQUE ANILLO	E3518-00-1202
39	1	PANEL TRASERO	IR2818-00-1200
40	1	PANEL DERECHO	IR2818-00-1800

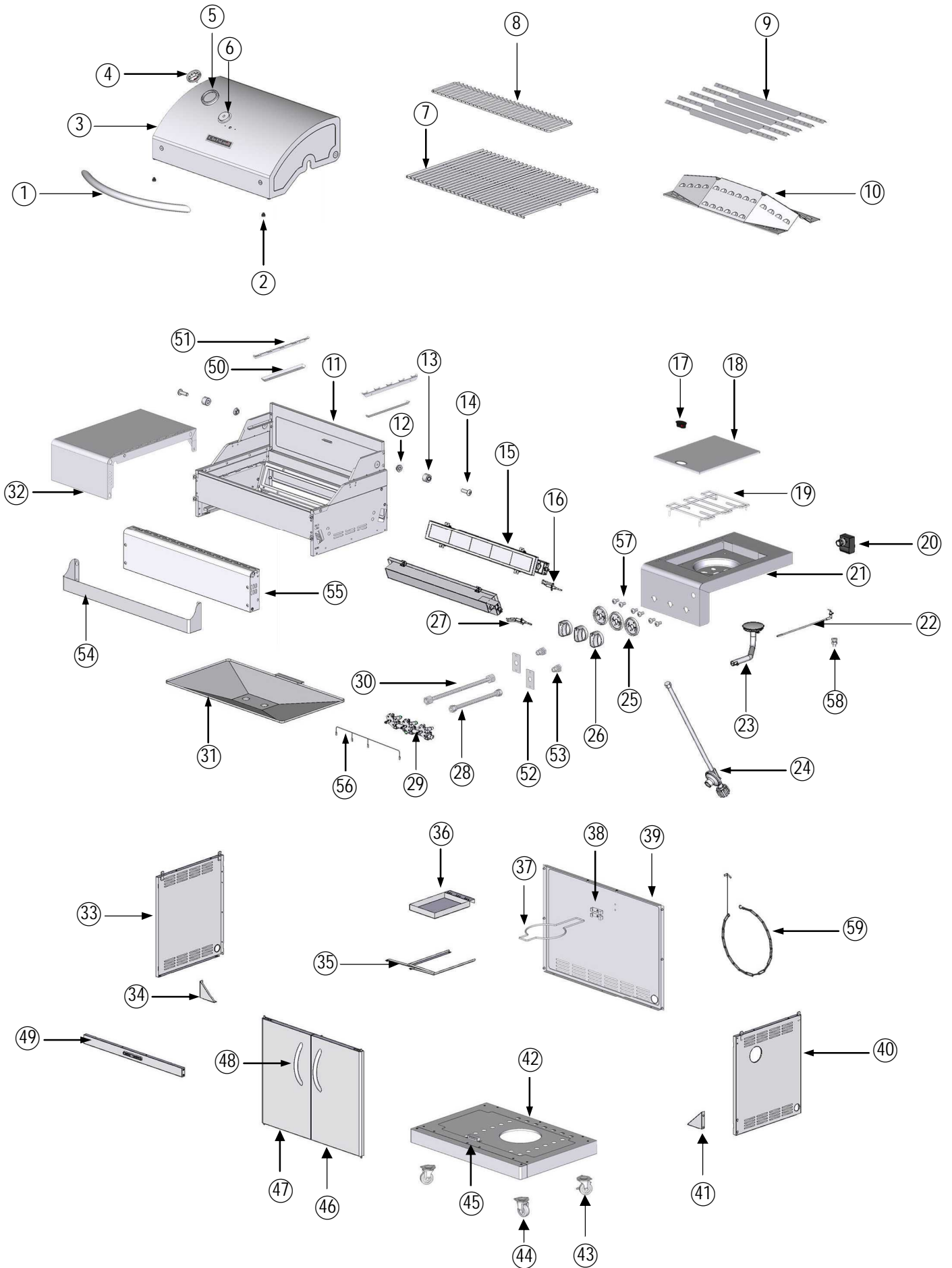
Clave	Cant.	Descripción	Pieza del fabricante
41	1	PANEL LATERAL SOPORTE (DERECHA)	2818-2T-1700
42	1	PANEL INFERIOR	IR2818-00-1100
43	2	BLOQUEO DE RUEDAS	RT2417S-00-8005
44	2	CASTER	RT2417S-00-8006
45	1	IMÁN	L3018S-00-1310
46	1	PUERTA DERECHA	IR2818-00-1600
47	1	PUERTA IZQUIERDA	IR2818-00-1400
48	2	MANGO PUERTA	RT2417S-00-1610
49	1	BEAM	IR2818-00-1500
50	2	SOPORTE REFLECTOR	IR2818-00-2143
51	2	SOPORTE EL CALOR	IR2818-00-2102
52	2	BASE DE LA BOQUILLA	IR2818-00-6201
53	2	BOQUILLA INFRARROJO	IR2818-00-8005
54	1	PANEL DE CONTROL	IR2818-00-3211
55	1	CAJA DE CONDIMENTO	IR2818-00-3110
56	1	CONTINUA CABLE DE ENCENDIDO	IR2818-00-8009
57	6	TORNILLO	M4x8
58	1	TORNILLO Y TUERCA	5/32-32UNC
59	1	IGNITOR MANO	3019L-1710
	1	PAQUETE DE HARDWARE	IR2818-1-HARDWARE
	1	MANUAL DEL PRODUCTO	IR2818-1-MANUAL

Si le faltan aditamentos o hay piezas dañadas luego de desempacar la parrilla, llame al 1-888-804-7455 para ordenar su repuesto.

Para pedir las piezas de repuesto luego de utilizar la parrilla, llame al 1-888-804-7455

NOTA: Algunas piezas de la parrilla que se muestran en los pasos de ensamblaje pueden variar ligeramente en su apariencia de las que se encuentran en su modelo de parrilla particular. Sin embargo, el método de ensamblaje sigue siendo el mismo.

DIAGRAMA DE LAS PIEZAS



DESEMPACAR

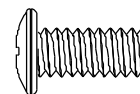
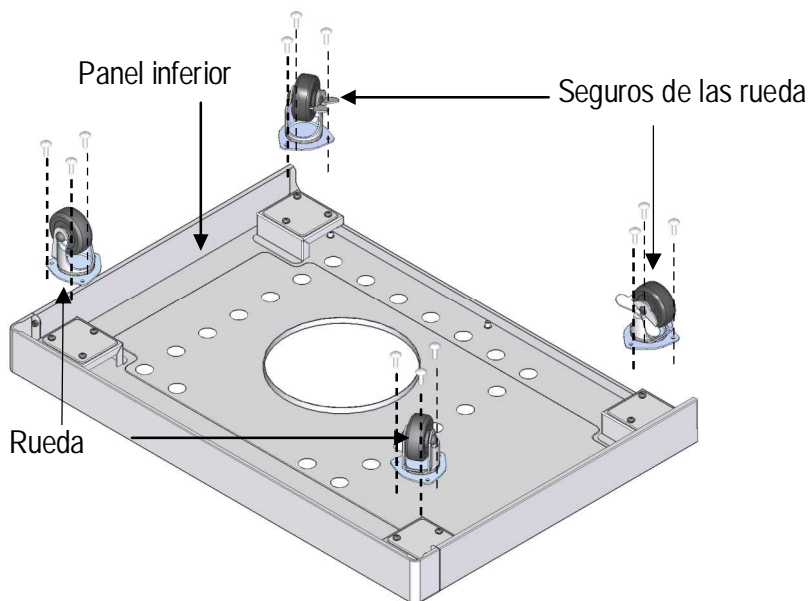
Después de quitar el empaque las partes y hardware de la parte superior de la caja de envío y cuando se muestre solamente la parte superior de la parrilla, use un cuchillo para cortar los lados de la caja. Tenga cuidado con las grapas de los lados de la caja.

Quítele soporte de las esquinas de acero y papel y cartón de la caja y las partes de espuma de estireno de la parte superior de la parrilla. Abra la etapa de la parrilla y quite todas las partes empacadas y el material de empaque. Deje reposar la cabeza de la parrilla en el papel cartón hasta poner la cabeza de la parrilla en el carro según el paso 10.

ADVERTENCIA: Ponga la parrilla en una superficie limpia y nivelada. Compare las partes y el hardware con la lista y los diagramas. No intente ensamblar si hace falta alguna parte o está dañada.

1

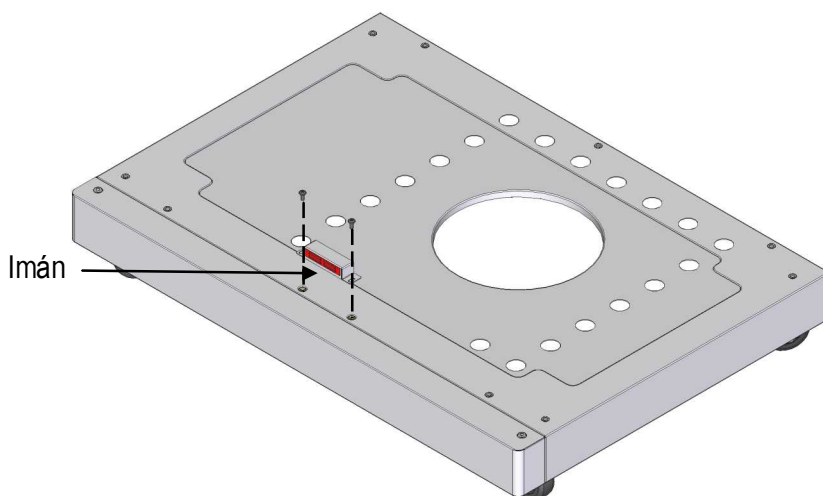
Fije las ruedas y los seguros de las ruedas al panel inferior con 12 tornillos. Nota los seguros de las ruedas están en la parte posterior de la parrilla. A continuación, gire el panel inferior terminado.



Tornillo 3/16-24 x 1/2"
Cant. 12

2

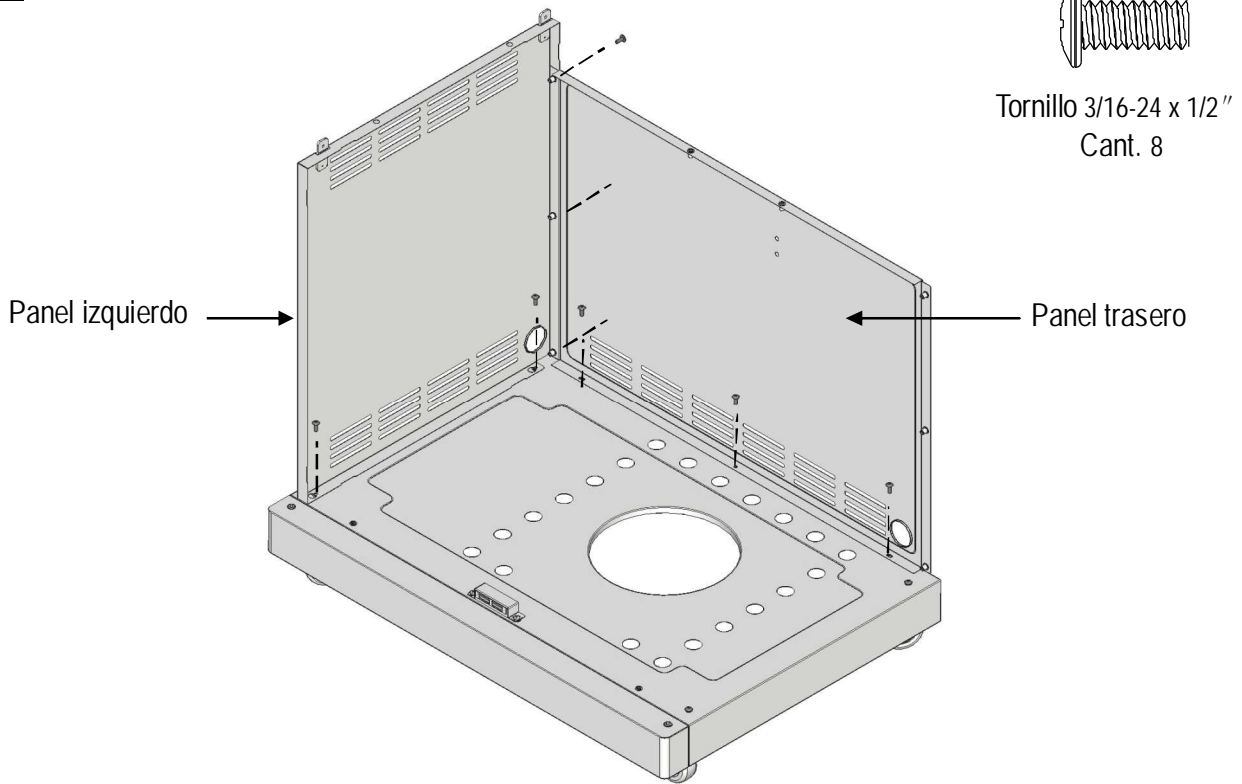
Fije el imán al panel inferior con dos tornillos 5/32-32 x 3/8.



Tornillo 5/32-32 x 3/8"
Cant. 2

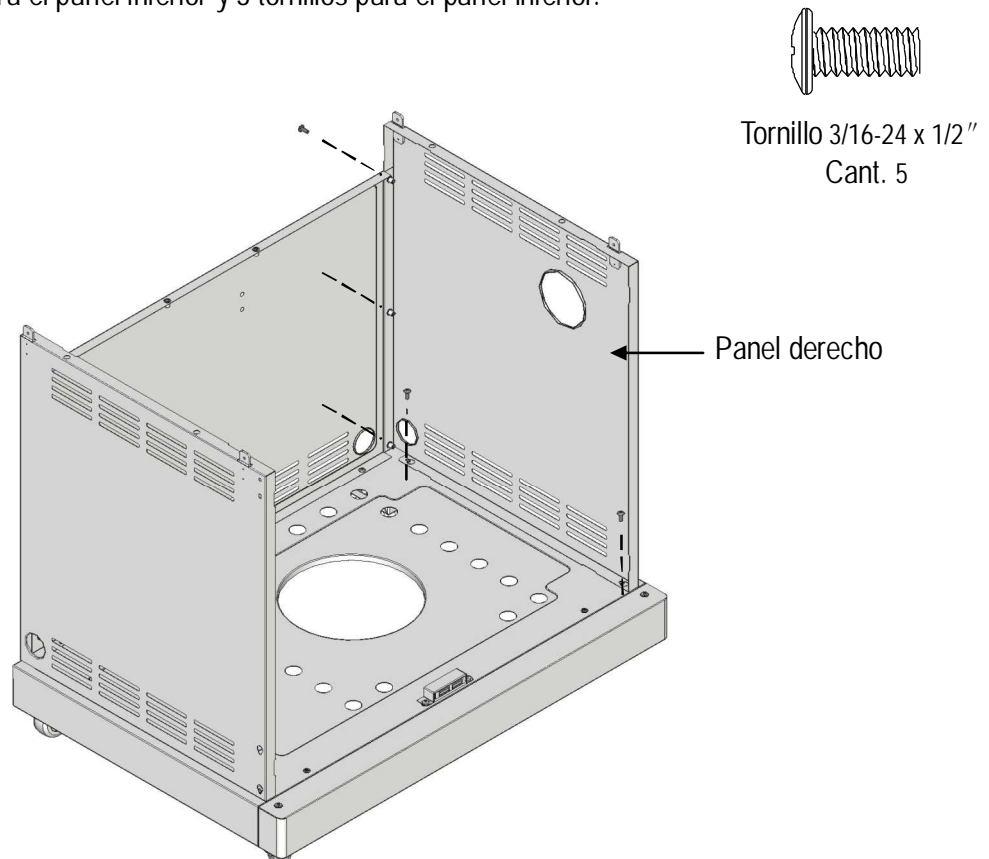
3

Fije el panel izquierdo y el panel trasero al panel inferior. Hay 3 tornillos para el panel trasero, 5 tornillos para el panel inferior.



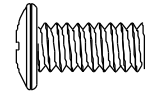
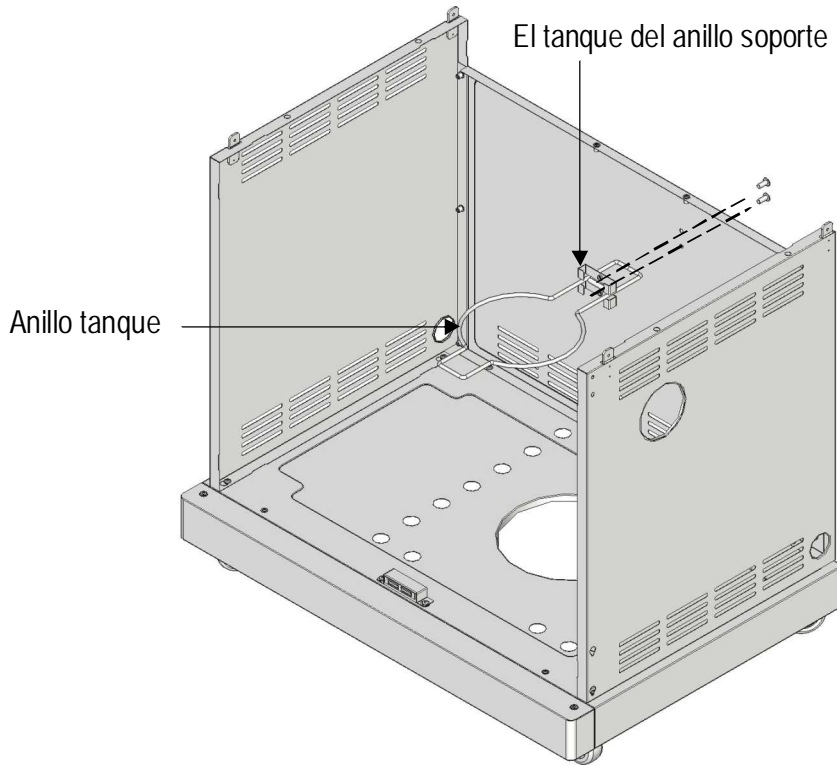
4

Fije el panel derecho al panel inferior y al panel trasero con 5 tornillos. Hay 2 tornillos para el panel inferior y 3 tornillos para el panel inferior.



5

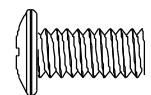
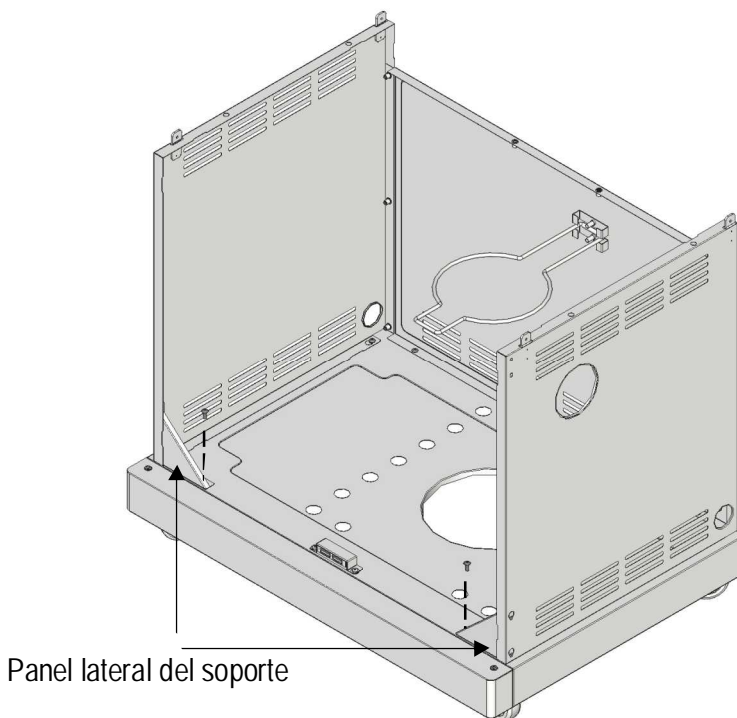
Deslice el soporte de anillo del tanque sobre el extremo del anillo del depósito. Fije el soporte al panel trasero con dos tornillos.



Tornillo 1/4-20 x 5/8"
Cant. 2

6

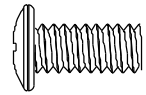
Aflove los dos tornillos en el lado del soporte del panel derecho e izquierdo de 3 a 4 vueltas. Inserte los tornillos a través de los dos agujeros en cada una de la base del panel lateral y deslice el soporte hasta que se detenga. Fije cada soporte a el panel inferior con un tornillo 3/16-24 x 1/2. Apriete los 4 tornillos aflojados.



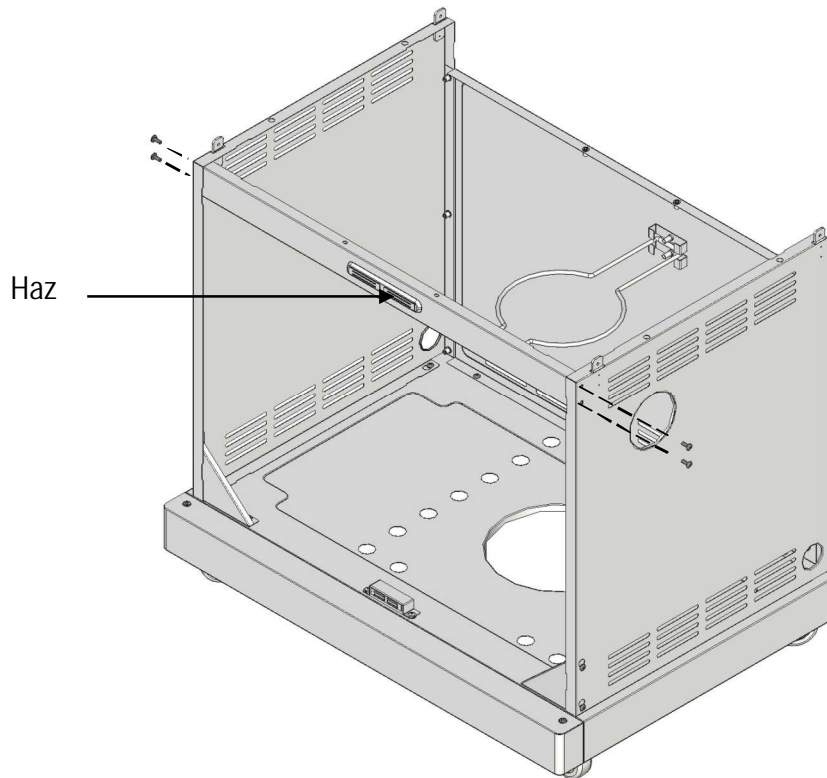
Tornillo 3/16-24 x 1/2"
Cant. 2

7

Fije la barra a los paneles lateral con 4 tornillos.

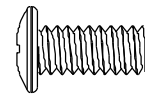


Tornillo 3/16-24 x 1/2"
Cant. 4

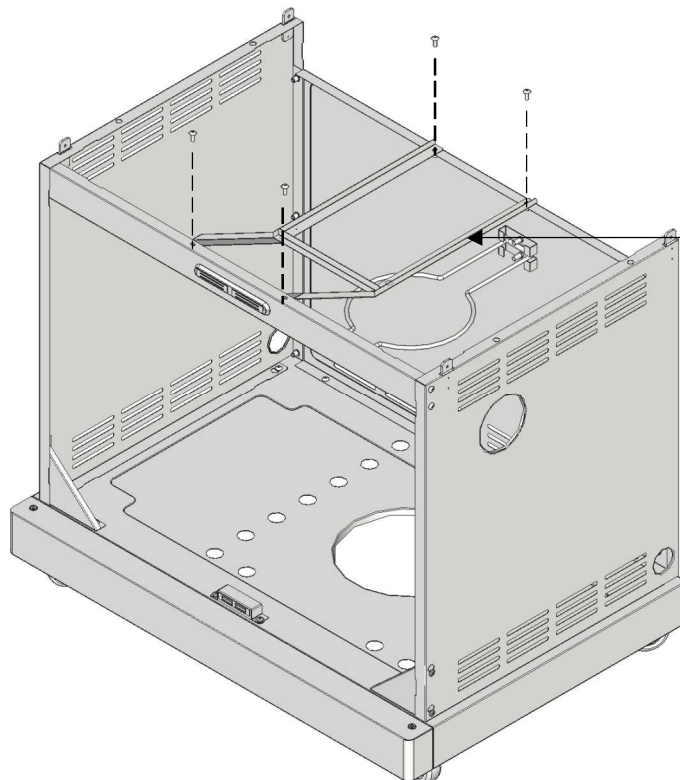


8

Fije el soporte de la taza de goteo al panel posterior y la barra con 4 tornillos, 2 tornillos para el panel trasero y 2 tornillos para la barra.



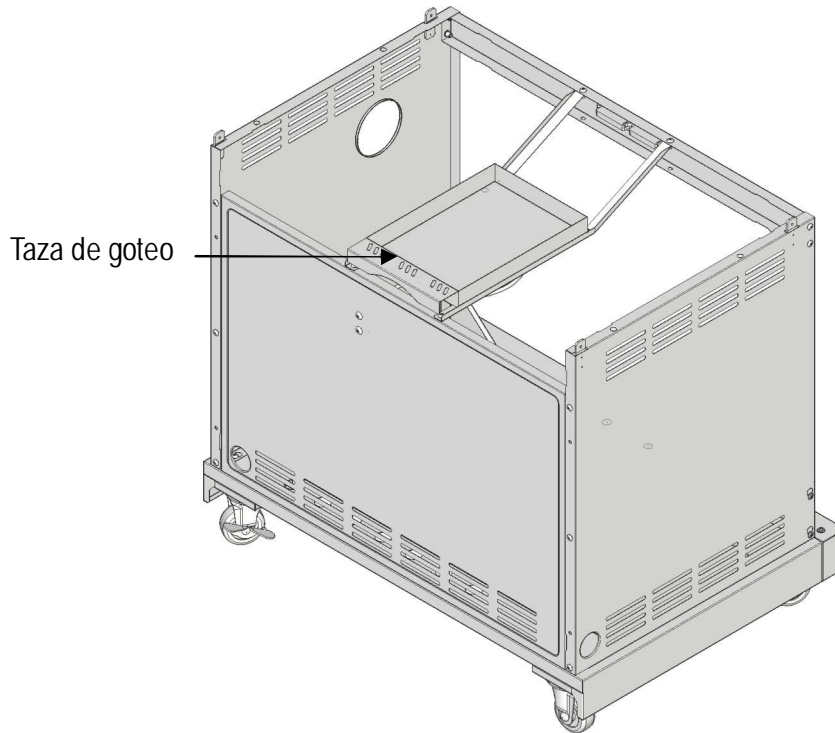
Tornillo 3/16-24 x 1/2"
Cant. 4



Soporte de goteo
Copa

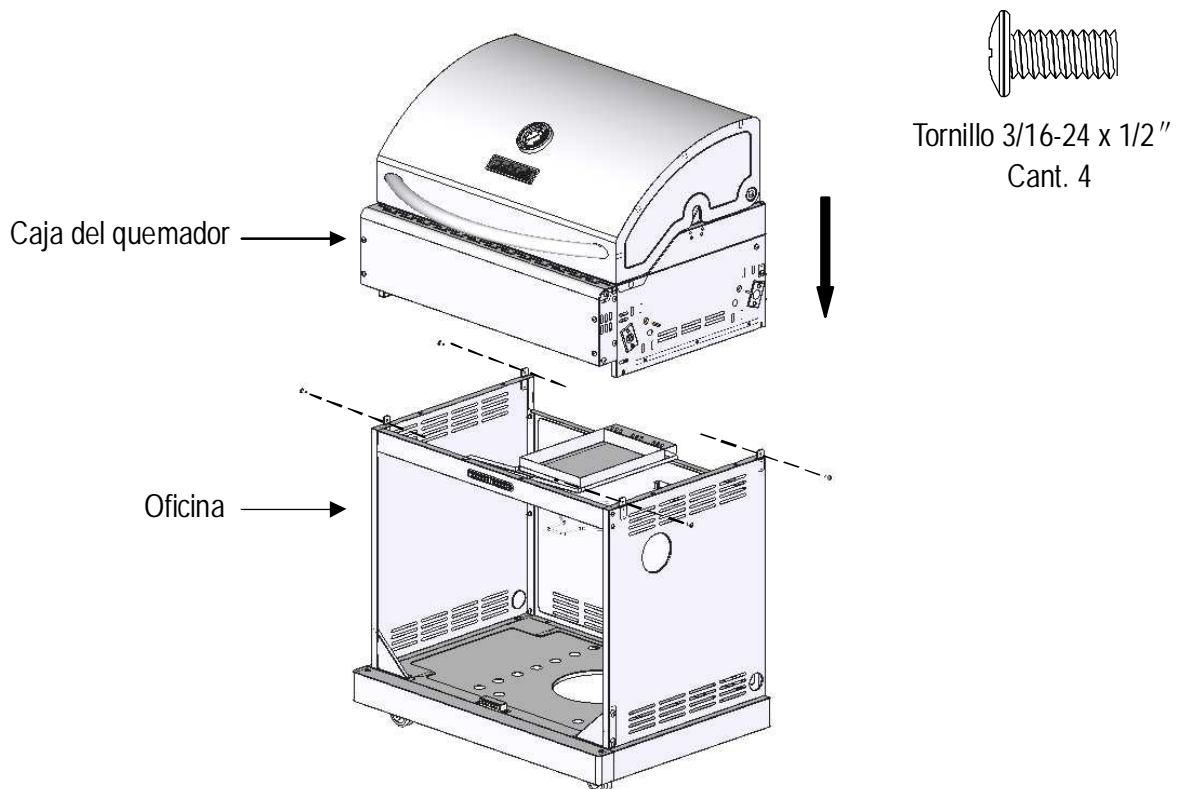
9

Ponga la taza de goteo en el soporte de la taza de goteo.

**10**

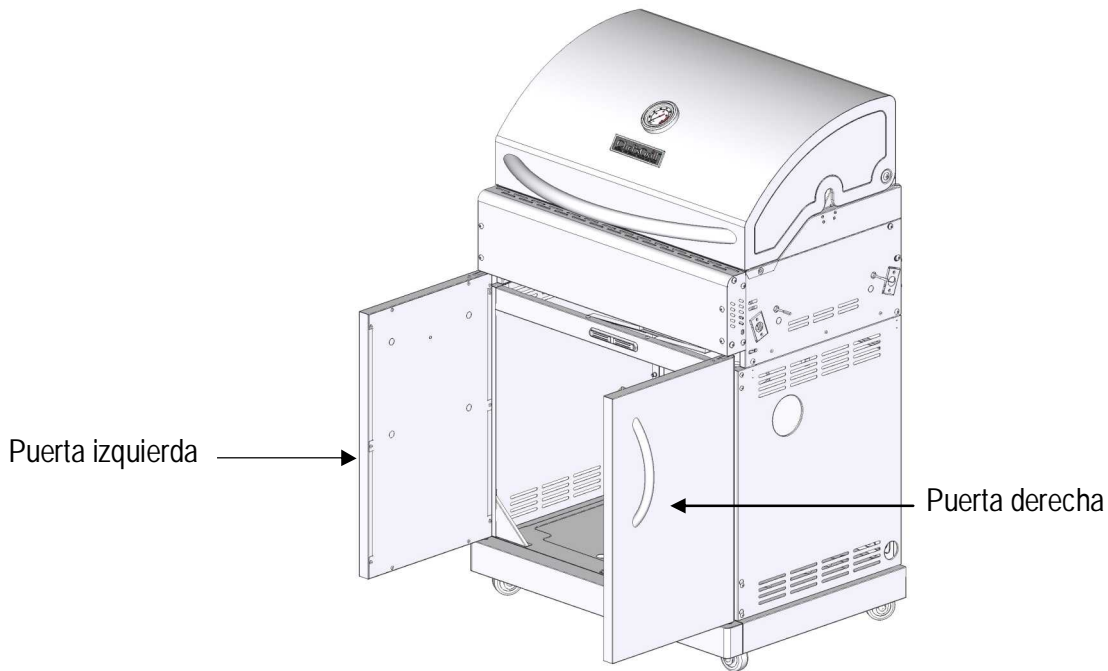
Corte el lazo envuelto que sostiene el regulador de la parrilla inferior del panel principal de control. Tenga cuidado de no cortar los cables de ignición o las abrazaderas que sujetan los cables de ignición en su lugar.

Con la ayuda de un asistente, levante y coloque la cabeza de la parrilla sobre el carro. El lado de la cabeza de la parrilla va sobre las pestañas de fijación en el carro. Asegúrese que el regulador y los cables de ignición cuelgan dentro del carro. Fije la cabeza al carro con 4 tornillos como se muestra.



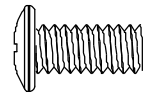
11

Para cada puerta, inserte el pasador de la bisagra inferior en el agujero en el panel inferior. Empuje hacia en el pasador de la bisagra superior hacia el agujero en la esquina inferior del panel de control. Ajuste los imanes en el panel inferior y la barra frontal para alinear los imanes con la puerta, y a continuación apriete los tornillos magnéticos.

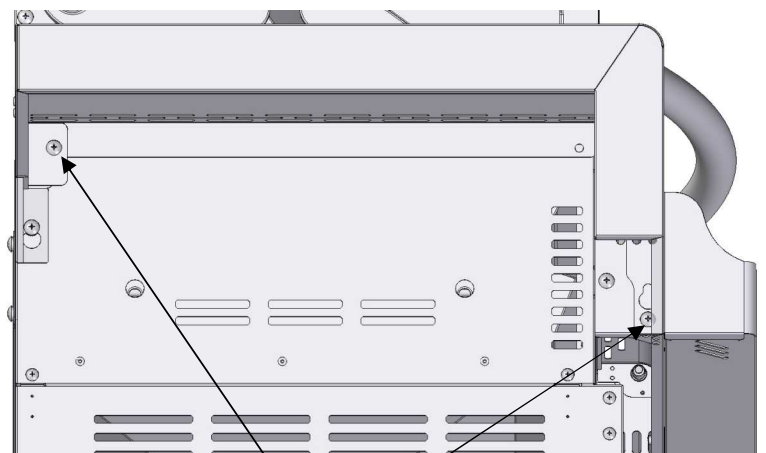
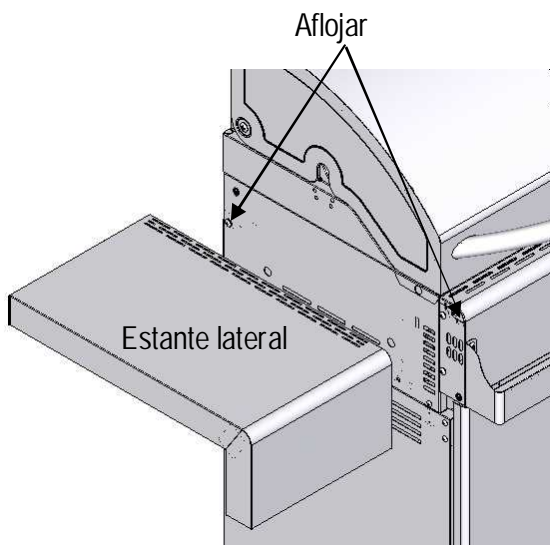
**12**

Estante lateral

Afloje los dos tornillos fijados en el panel izquierdo en la caja quemadora de 3 a 4 vueltas como se muestra. Cuelgue la repisa lateral de los agujeros ranurados en el lado en los tornillos aflojados. Fije la repisa lateral con dos tornillos 1/4-20 x 5/8" como se muestra. Apriete el tornillo previamente aflojado.



Tornillo 1/4-20 x 5/8"
Cant. 2

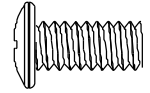


Tornillo 1/4-20 x 5/8"

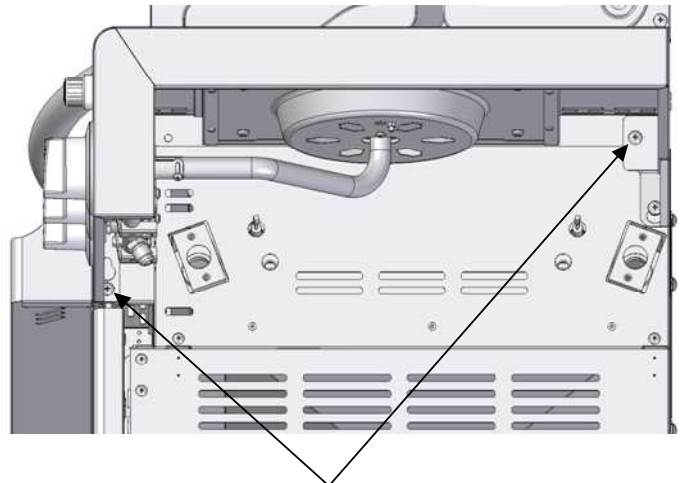
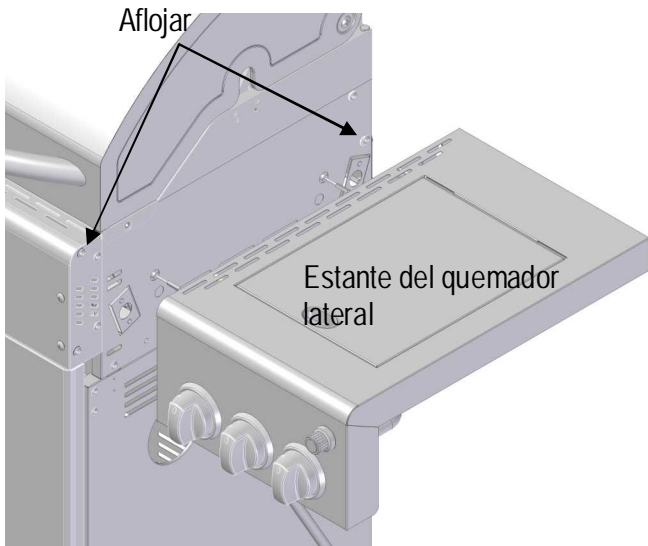
13

Estante del quemador lateral

Afloje los dos tornillos fijos en el panel derecho de la caja quemadora de 3 a 4 vueltas como se muestra. Cuelgue la repisa lateral del quemador de los agujeros ranurados en el lado en los dos tornillos aflojados. Fije la repisa lateral del quemador con dos tornillos 1/4-20 x 5/8" como se muestra. Apriete los dos tornillos previamente aflojados.



Tornillo 1/4-20 x 5/8"
Cant. 2



Tornillo 1/4-20 x 5/8"

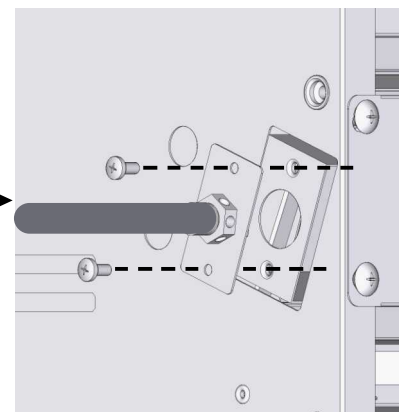
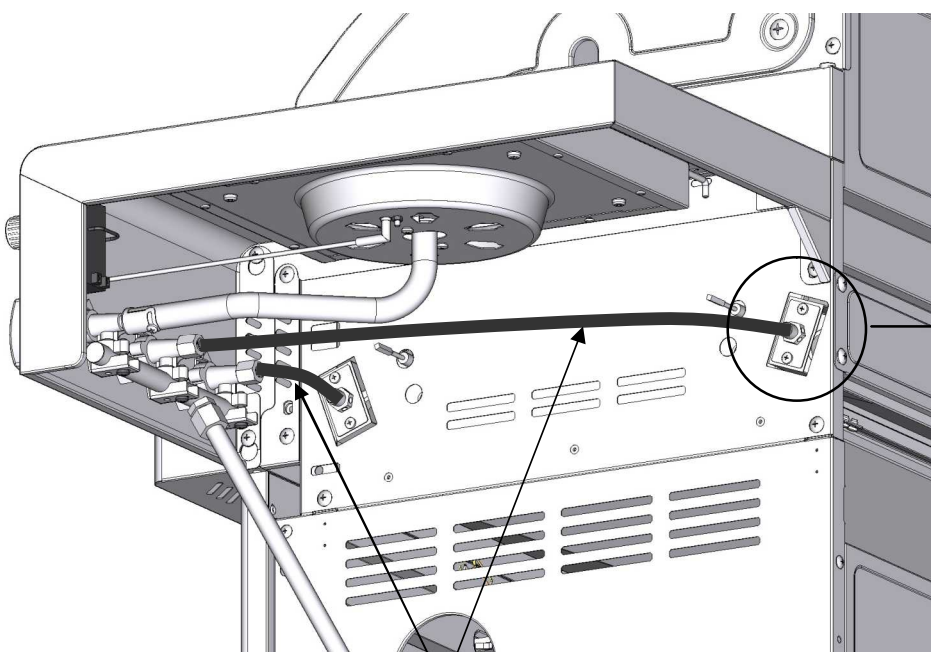
14

Estante del quemador lateral

Conecte la manguera del quemador infrarrojo al el quemador infrarrojo con 4 tornillos.



Tornillo 5/32-32 x 3/8"
Cant. 4



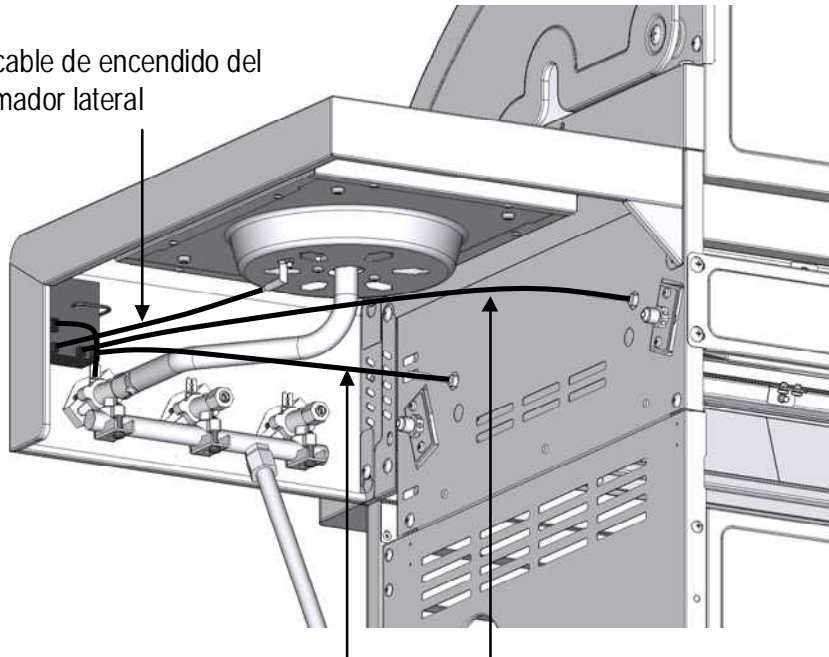
Manguera del quemador de infrarrojos

15

Los cables de encendido

Conecte los cables del pasador del encendido del quemador infrarrojo y el pasador de encendido del quemador lateral en el zócalo en el dispositivo iniciador como se muestra.

Pin cable de encendido del quemador lateral



Pin cable de encendido del quemador de infrarrojos

16

Fije la caja de condimento en el panel de control en los orificios ranurados.

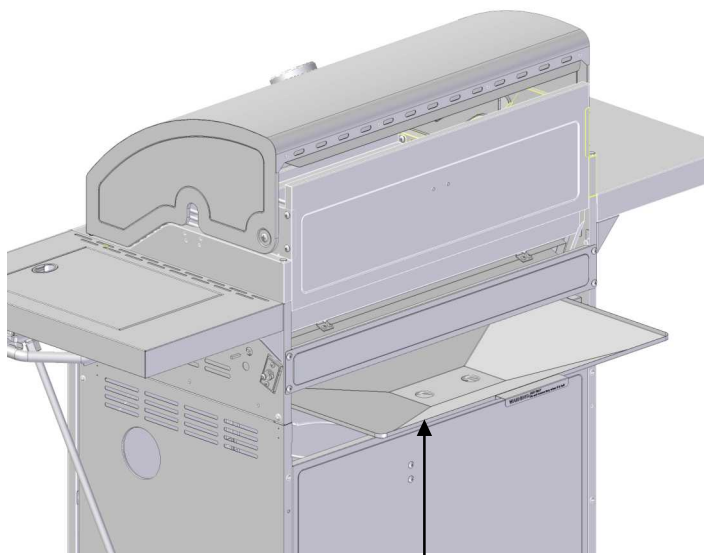
Cuadro de condimento



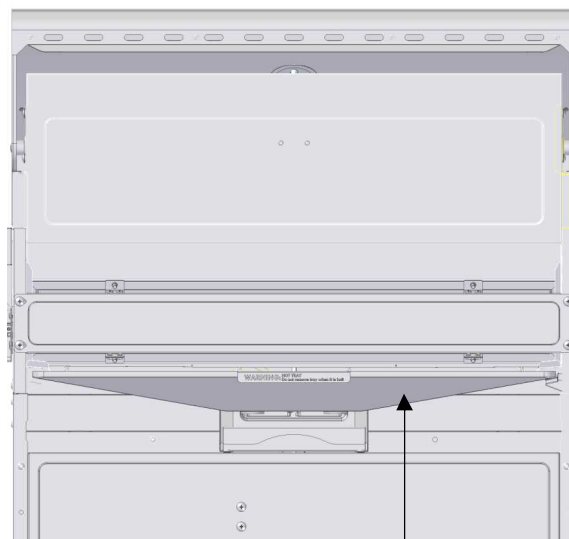
17

Ajuste la bandeja de goteo hasta que quede firme en la parte inferior central de la caja de fuego. Esta es una bandeja "Fácil de limpiar"; Se desliza fácilmente fuera de la parte posterior de la parrilla para su limpieza.

ADVERTENCIA: Asegúrese que la bandeja de goteo y la taza de goteo están instalada apropiada.



Bandeja de goteo

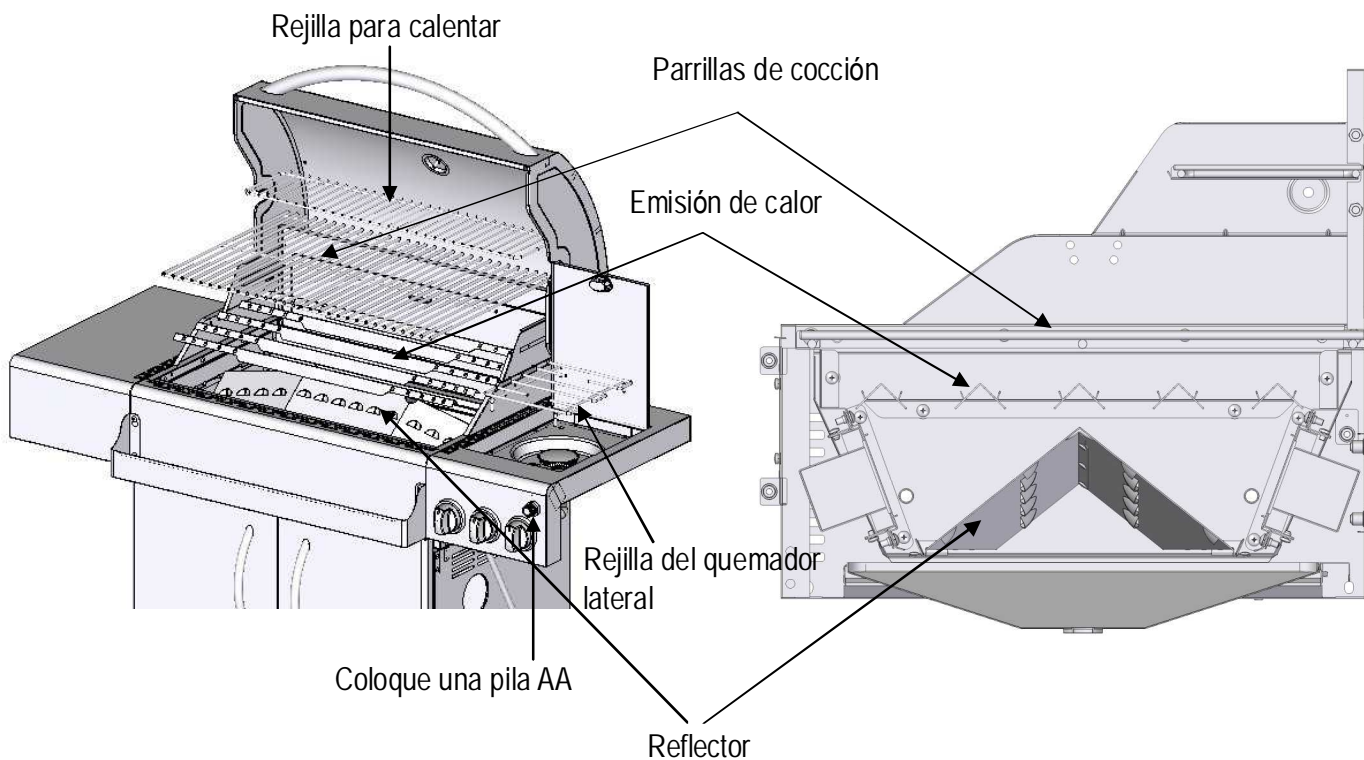


Bandeja de goteo

18

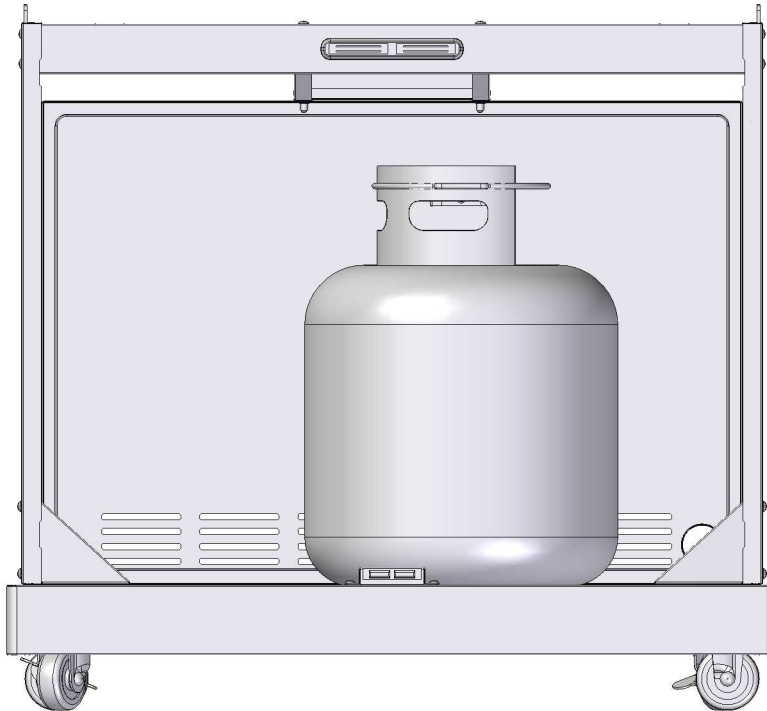
Instale el reflector, los difusores de calor, las rejillas de cocinar, la rejilla del quemador lateral, Rejilla de calentamiento y la batería

Posicione los difusores de calor, las rejillas de cocinar, la rejilla del quemador lateral, Rejilla de calentamiento como se muestra. NOTA: Los bordes del difusor encajan en las ranuras en la izquierda y derecho de la caja quemadora. Encaje de Nuevo la rejilla de calentamiento en el gancho de la pared posterior de la caja quemadora. Remueva la tapa de la batería e inserte la batería AA con el polo positive hacia afuera. Coloque de Nuevo la tapa.



19**Instalación del depósito de LP**

Abrir la puerta delantera del carro. Fije la base del tanque en el soporte del tanque con el mecanismo protector en dirección hacia la derecha como se muestra. Fije el anillo del tanque sostenga el mecanismo protector. Conecte el regulador al tanque (véase la página 5 en la sección de uso y cuidado).



Especificaciones de la parrilla

Peso neto: 117 lbs

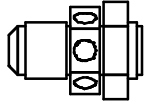

Peso del paquete: 141 lbs

Tamaño: 47.3 "x 53.6" W x 23.6 "D

Rejilla para calentar la zona (cuadrados en): 168

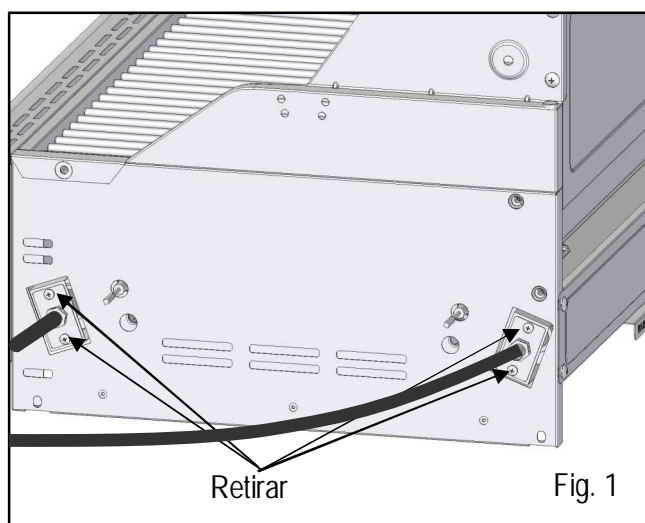
INSTRUCCIONES DE CONVERSIÓN DE GAS NATURAL

El NGKIT-01 contiene orificios para varios modelos de parrilla. Por favor, seleccione los orificios como se listan y descarten el resto. Siga las instrucciones de conversión incluidos con el kit.

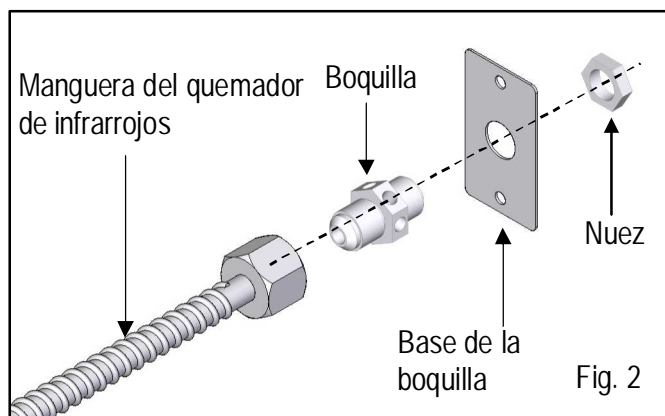
Modelo	Quemador principal 1.81mm	Quemador lateral 1.31mm
		
IR2818-1	2 pc	1 pc

Conversión del quemador principal

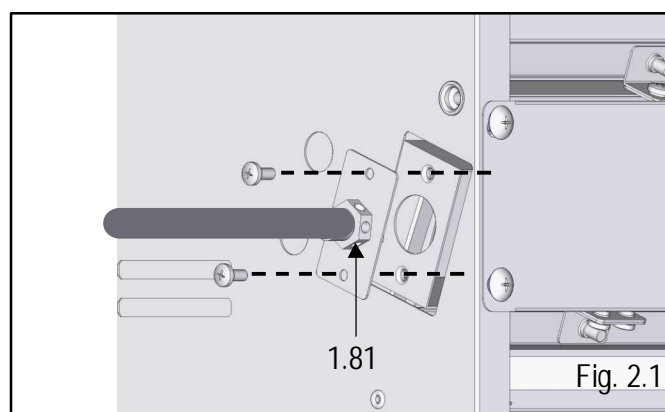
1. Remueva los tornillos en el panel derecho de la caja de fuego para separar el conjunto principal de la boquilla quemadora de la caja de fuego. (Fig. 1)



2. Retire la boquilla de la manguera de GLP quemador de infrarrojos. Retire la tuerca para fijar la base de la boquilla de la boquilla. (Fig. 2)

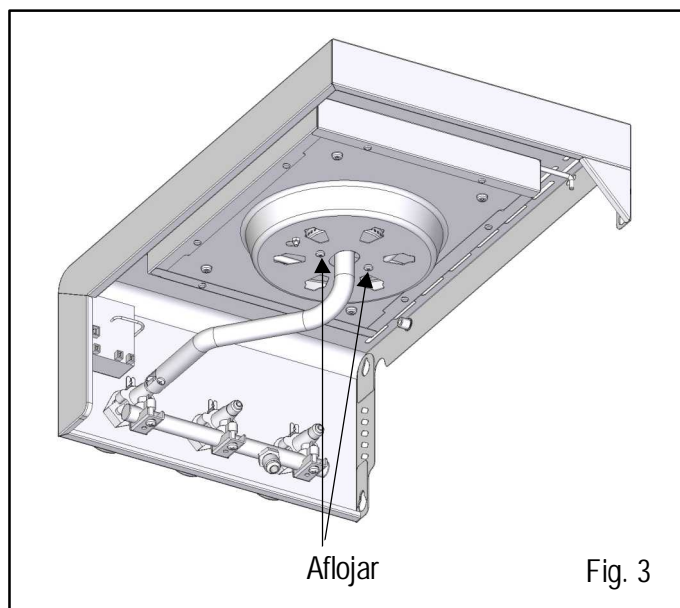


3. Vuelva a colocar la boquilla con la boquilla GLP GN. Colocar la boquilla de gas natural con la base de la boquilla a la manguera del quemador de infrarrojos. A continuación, conecte el conjunto de boquilla NG para la cámara de combustión con tornillos. Asegúrese de que está utilizando la boquilla correcta, que está marcado "1.81". (Fig. 2.1)

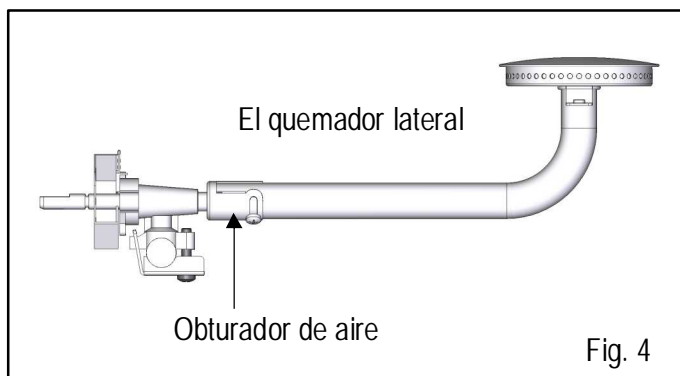


Conversión del quemador lateral

1. Afloje los tornillos laterales del quemador para exponer en la valvular quemadora lateral. Inserte la herramienta hacia la válvula y destornille el orificio desde el extremo de la válvula. Coloque el Nuevo orificio en la herramienta de eliminación de orificio y apriete el nuevo orificio en la válvula. Asegúrese de usar el correcto orificio, el cual es marcado "1.31". (Fig. 3)

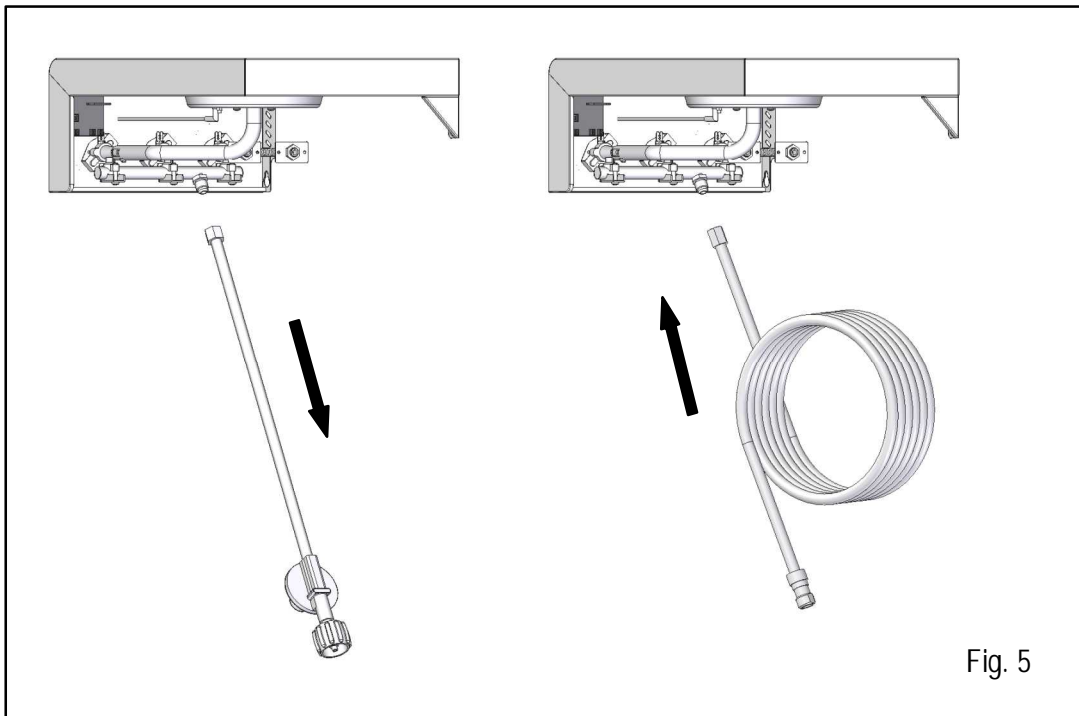


2. Afloje el tornillo del obturador de aire. Gire el obturador de aire para cambiar la apertura del LP para ajustar el GN. Apretar el tornillo para fijar el obturador en su posición. Enganche el tubo quemador sobre la válvula como se muestra. (Figura 4)
LP: Completamente abierta
GN: Abierto 1/4"



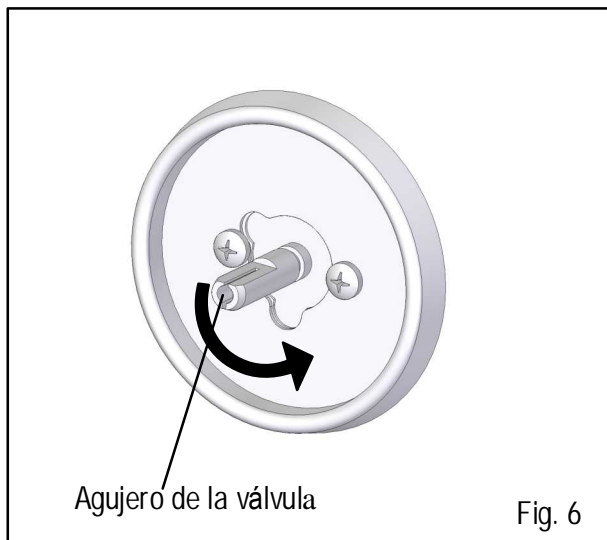
Gas Natural conexión de la manguera

Retire la manguera de gas LP y regulador con una llave, y conectar la manguera de gas natural en lugar ictos. (Fig. 5)



Ajuste el tornillo en cada orificio de la válvula

Jale todas las perillas para retirarlas de los vástagos de las válvulas. Ajuste el tornillo del orificio de la válvula con el destornillador de cabeza plana. Tornillos de seis vueltas completas hacia la izquierda. (Fig. 6)



Pulse todas las perillas de nuevo en vástagos de las válvulas..
Para completar la conversión, volver a instalar todas las perillas, vuelva difusores de calor a la cámara de combustión, seguida de las rejillas y rejilla para calentar.

DetECCIÓN DE PROBLEMAS

Problema	Causa Posible	Solución
La parrilla o el quemador lateral no enciende.	<ol style="list-style-type: none"> 1. El cable de encendido se desprendió del encendedor eléctrico 2. La distancia entre el pasador de encendido y el quemador es más de 2,54 - 5,08mm pulg.(quemador lateral). 3. El cable de encendido está roto. 4. La batería murió. 5. La batería está con la polaridad incorrecta. 6. La punta del electrodo no produce chispas en el puerto del quemador. 7. No entra el gas. 8. Aire abertura del obturador es demasiado grande. 	<ol style="list-style-type: none"> 1. Vuelva a conectar el cable de encendido al encendedor eléctrico. 2. Afloje el pasador de encendido y ajuste la distancia, luego apriételo de nuevo. 3. Llame al departamento de servicio al cliente para emcargar un cable de encendido de repuesto. 4. Instale una nueva batería AA. 5. Cambie la polaridad de la batería. 6. Vuelva a instalar el electrodo. 7. Abra la válvula del regulador. 8. Afloje el obturador de aire y ajustar el la apertura de un tamaño más pequeño.
La llama del quemador es amarilla y hay olor a gas.	<ol style="list-style-type: none"> 1. La abertura del obturador de aire no está ajustado correctamente. 2. Hay arañas o insectos bloqueando el obturador de aire. 3. Escapes de gas. 	<ol style="list-style-type: none"> 1. Afloje el obturador de aire y ajuste la apertura para tener llamas azules. 6,35mm de apertura para gas propano líquido. 3,17mm o menos de apertura para gas natural. 2. Limpie bloqueos. 3. Busque fuentes de escapes de gas.
Se apaga el quemador.	<ol style="list-style-type: none"> 1. El tanque de propano líquido está vacío. 2. El quemador no está alineado con la válvula de control. 3. El suministro de gas no es suficiente. 	<ol style="list-style-type: none"> 1. Vuelva a llenar el tanque de propano líquido. 2. Instale el quemador correctamente. 3. Revise la manguera de suministro de gas y asegúrese de que no haya escapes ni nudos.
Llamaradas excesivas.	<ol style="list-style-type: none"> 1. Asado de carnes grasas a fuego alto "HIGH". 2. Rociado de agua sobre las llamas de gas. 3. Tapa cerrada durante la cocción. 	<ol style="list-style-type: none"> 1. Ase carnes grasientas cuando las parillas estén frías, mientras los botones estén a fuego lento en la posición "LOW". Mueva las carnes a la rejilla para calentar si las llamaradas continúan y hasta que las llamas se controlen. 2. Nunca rocíe agua sobre las llamas de gas. 3. Abra la pata cuando ase.

Problema

Causa Posible

Solución

<p>Poco calor con el botón en la posición "HIGH".</p>	<ol style="list-style-type: none"> 1. Los puertos están bloqueados. 2. El tanque de propano líquido está vacío. 	<ol style="list-style-type: none"> 1. Limpie los puertos de cualquier obstrucción. 2. Vuelva a llenar el tanque de propano líquido. 										
<p>Poco calor, gas natural.</p>	<p>La presión del gas se ve afectada significativamente por la línea de gas y la longitud de la línea de gas desde la línea de gas de la casa.</p>	<p>Revise su línea de gas y haga las correcciones necesarias siguiendo la tabla de abajo.</p> <table border="1" data-bbox="911 600 1444 947"> <thead> <tr> <th colspan="2">De la casa a la parrilla</th> </tr> <tr> <th>Distancia</th> <th>Tamaño de tubería</th> </tr> </thead> <tbody> <tr> <td>hasta 7,62 m</td> <td>0,95 cm de diámetro</td> </tr> <tr> <td>de 7,92 m a 15,24 m</td> <td>1,27 cm de diámetro</td> </tr> <tr> <td>de 15,54 m a 30,48 m</td> <td>2/3 del tramo: 1,90 cm 1/3 del tramo: 1,27 cm</td> </tr> </tbody> </table>	De la casa a la parrilla		Distancia	Tamaño de tubería	hasta 7,62 m	0,95 cm de diámetro	de 7,92 m a 15,24 m	1,27 cm de diámetro	de 15,54 m a 30,48 m	2/3 del tramo: 1,90 cm 1/3 del tramo: 1,27 cm
De la casa a la parrilla												
Distancia	Tamaño de tubería											
hasta 7,62 m	0,95 cm de diámetro											
de 7,92 m a 15,24 m	1,27 cm de diámetro											
de 15,54 m a 30,48 m	2/3 del tramo: 1,90 cm 1/3 del tramo: 1,27 cm											
<p>Poco calor, gas propane líquido.</p>	<p>El regulador de propano tiene un dispositivo de exceso de flujo diseñado para suministrarle a la parrilla suficiente flujo de gas. Los rápidos cambios en la presión pueden disparar el dispositivo de exceso de flujo provocando una llama pequeña y baja temperatura.</p>	<p>Por favor, siga estas instrucciones:</p> <ol style="list-style-type: none"> 1. Asegúrese de que todos los quemadores estén apagados ("OFF"). 2. Abra la válvula del tanque y espere 5 minutos. 3. Encienda los quemadores, uno a la vez, siguiendo las instrucciones de encendido que aparecen en el interior de la puerta. 										
<p>Caída repentina del flujo de gas o poca llama.</p>	<ol style="list-style-type: none"> 1. No hay gas. 2. Se disparó la válvula de flujo excesivo. 3. Acumulación de vapor en la conexión de la tuerca del acoplador y el cilindro de PL. 	<ol style="list-style-type: none"> 1. Compruebe que haya gas en el tanque de propano líquido. 2. Cierre las perillas, espere 30 segundos y encienda la parrilla. Si las llamas siguen bajas, cierre la perilla y la válvula del tanque de propano líquido. Desconecte el regulador. Vuelva a conectar el regulador y pruebe si hay escapes. Abra la válvula del tanque de propano líquido, espere 30 segundos y luego encienda la parrilla. 3. Cierre las perillas y la válvula del tanque de propano líquido. Desconecte la tuerca de unión del tanque. Vuelva a conectar e inténtelo de nuevo. 										

Sagittarius Sporting Goods
c/o JDS
108 Leventis Drive.
Columbia, SC 29209, USA