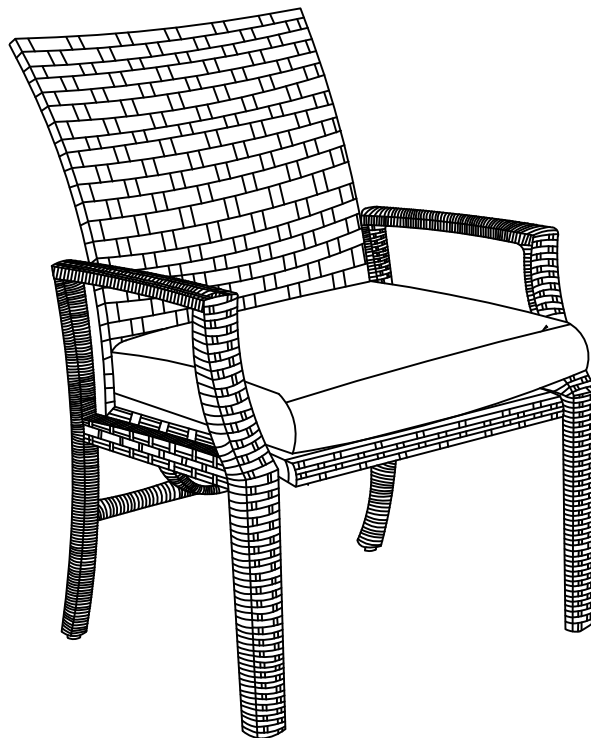




Item # 658 904
Model #151-115-SRC2

USE AND CARE GUIDE

TOBAGO 1-PAIR FULLY WOVEN ROCKING DINING CHAIRS



Questions, problems, missing parts? Before returning to the store,
call Hampton Bay Customer Service
8.00 a.m. - 6.00 p.m., EST, Monday - Friday

1-855-HD-HAMPTON

HAMPTONBAY.COM

THANK YOU


We appreciate the trust and confidence you have placed in Hampton Bay through the purchase of these rocking dining chairs. We strive to continually create quality products designed to enhance your home. Visit us online to see our full line of products available for your home improvement needs. Thank you for choosing Hampton Bay!

Table of Contents

Table of Contents.....	2	Pre-Assembly.....	3
Safety Information.....	2	Planning Assembly.....	3
Warranty.....	2	Hardware Included.....	3
2 Year Frame, Weave and Fabric Limited Warranty.....	2	Package Contents.....	4
What Is Covered.....	2	Assembly.....	5
What Is Not Covered.....	2		
Care Instructions.....	2		

Safety Information

 **DANGER:** Please keep children out of the assembly area during assembly.

 **IMPORTANT:** Please check the tightness of bolts periodically.

Warranty

2 YEAR FRAME/ WEAVE/ FABRIC LIMITED WARRANTY

WHAT IS COVERED

We warrant the frame, weave and fabric to be free of manufacturing defects to the original purchaser for two years.

WHAT IS NOT COVERED

It remains the customer's responsibility for freight and packaging charges to and from our service center. This warranty does not cover commercial use, hardware, acts of nature, fire, freezing and abusive use. In addition, purchased parts are not covered under this warranty. We reserve the right to make substitutions with similar merchandise, if the model in question is no longer in production.

Care Instructions

Before using, wipe with a clean, dry cloth. Do not use bleach or solvents. Treat frame with one-step liquid wax for maximum protection against UV light and salty, damp air. When not in use, store furniture in a cool, dry place. If your set includes cushions or mesh fabric, they may be cleaned by hand with a mild solution of soap and water. Rinse cushion thoroughly and allow to drip dry. Do not machine wash or tumble dry, as cushions may shrink. Do not use bleach or solvents on fabrics.

You may contact our customer service department with any questions by phone at 1-855-HD-HAMPTON or visit www.hamptonbay.com.

Pre-Assembly

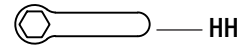
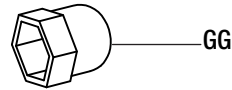
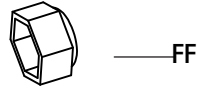
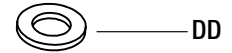
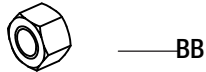
PLANNING ASSEMBLY

It will take two people about 20 minutes to complete the assembly process.

HARDWARE INCLUDED



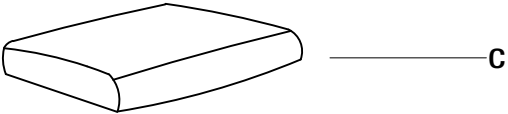
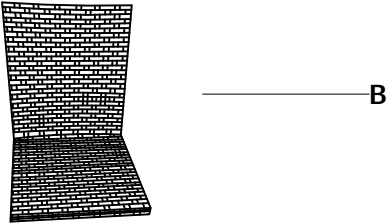
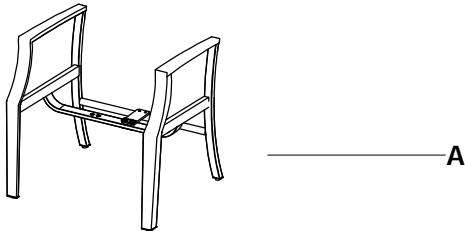
NOTE: Hardware not shown to actual size.



Part	Description	Quantity
AA	Bolt (M8x42)	8
BB	Nut	8
CC	Lock washer	8
DD	Washer	8
EE	Washer plate	8
FF	Bolt cap	16
GG	Nut cap	16
HH	Spanner	2

Pre-Assembly (continued)

PACKAGE CONTENTS



Part	Description	Quantity
A	Chair base	2
B	Seat and back	2
C	Seat pad	2

Assembly

1 Attaching the seat and back to the chair base

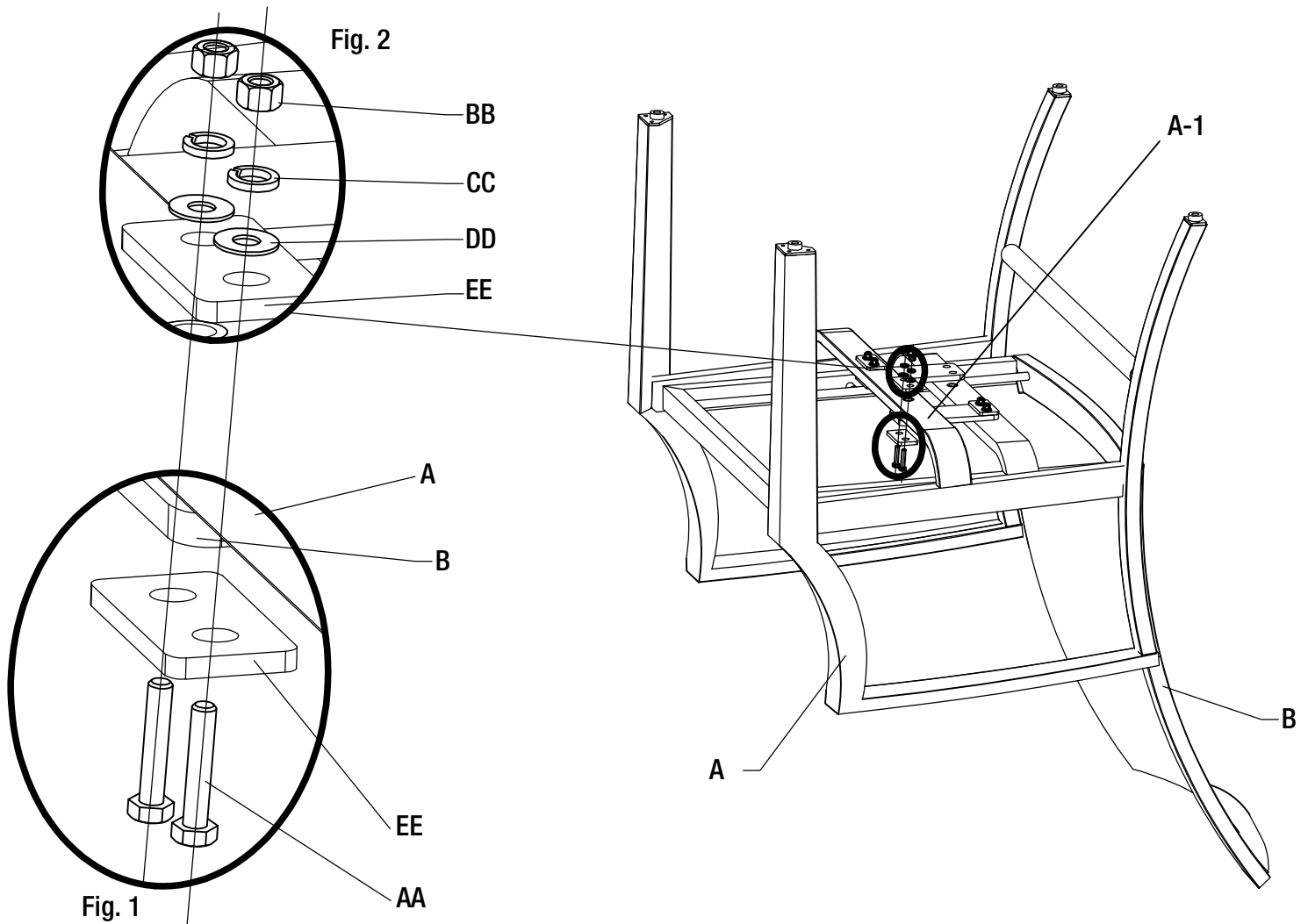
- Place the chair base (A) upside down on a flat, smooth surface.
- Attach the seat and back (B) to the chair base (A) from below the U-bar (A-1) with the bolts (AA) and one washer plate (EE) (see Fig. 1), and above the U-bar (A-1) with one washer plate (EE), washers (DD), lock washers (CC) and nuts (BB) (see Fig. 2) using spanners (HH).



IMPORTANT: Hand tighten bolts (AA) only. Do not fully tighten bolts (AA) until the end of Step 2.

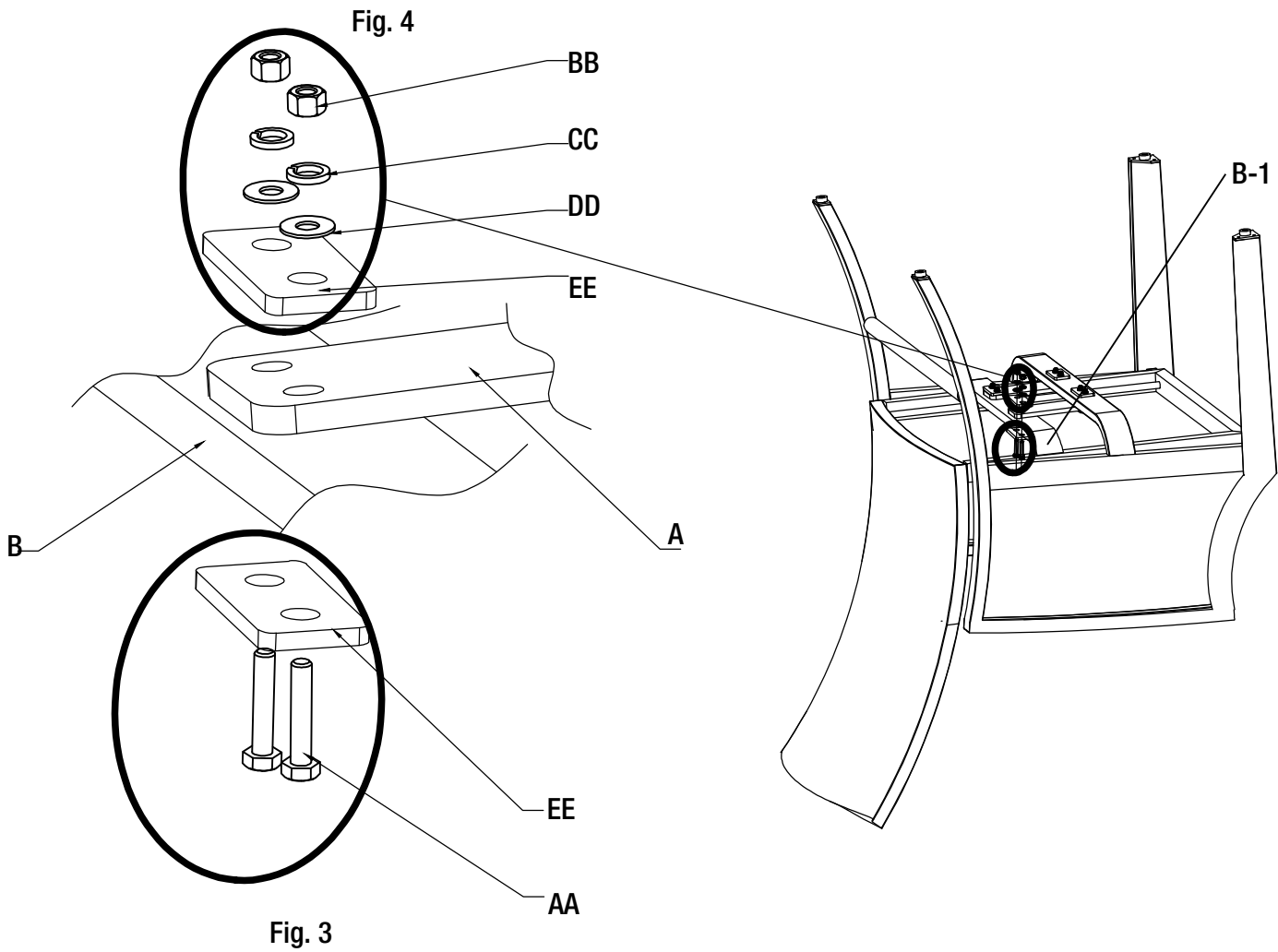


NOTE: You may need to loosen preinstalled bolts to allow for proper alignment of the steel plates on Seat (B) and Base (A).



2 Attaching the seat and back to the chair base (continued)

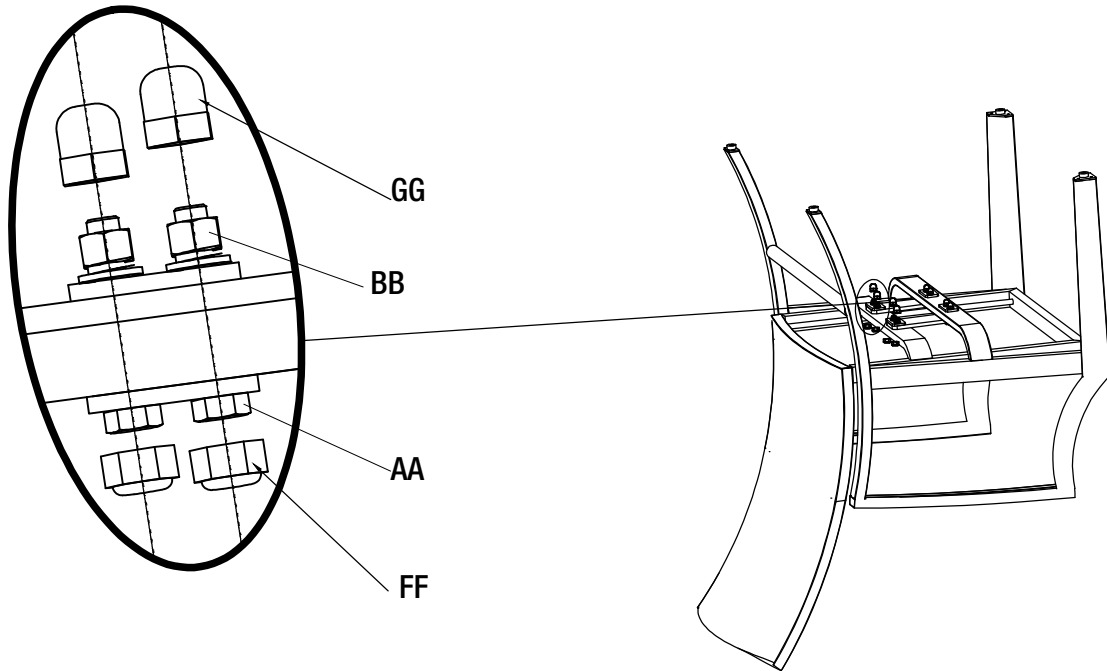
- At the U-bar (B1) attach the chair base (A) to the seat and back (B) from under the U-bar (B-1) with bolts (AA), washer plate (EE) (see Fig. 3), and with washer plate (EE), washers (DD), lock washers (CC) and nuts (BB) (see Fig. 4) using spanners (HH).
- Fully tighten all the bolts (AA) and nuts (BB).



Assembly

3 Attaching the bolt caps

- Cover all the bolts (AA) and pre-installed bolts with bolt caps (FF).
- Cover all the nuts (BB) and pre-installed nuts with nut caps (GG).

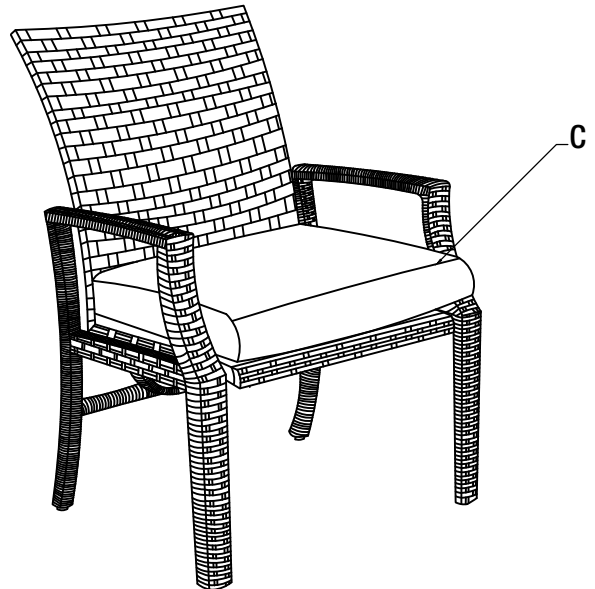
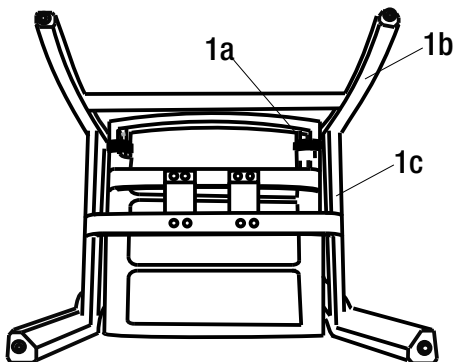


4 Placing the seat pad on the chair

- Place the seat pad (C) on the chair.
- Repeat step 1~4 for the other chair.



IMPORTANT: Please tie the hook and loops to the small bar (1a) underneath the seat panel. Do not try to tie the hook and loops to rear legs (1b) or other tubes (1c).





Questions, problems, missing parts? Before returning to the store,
call Hampton Bay Customer Service
8.00 a.m. – 6.00 p.m., EST, Monday-Friday

1-855-HD-HAMPTON

HAMPTONBAY.COM

Retain this manual for future use.