



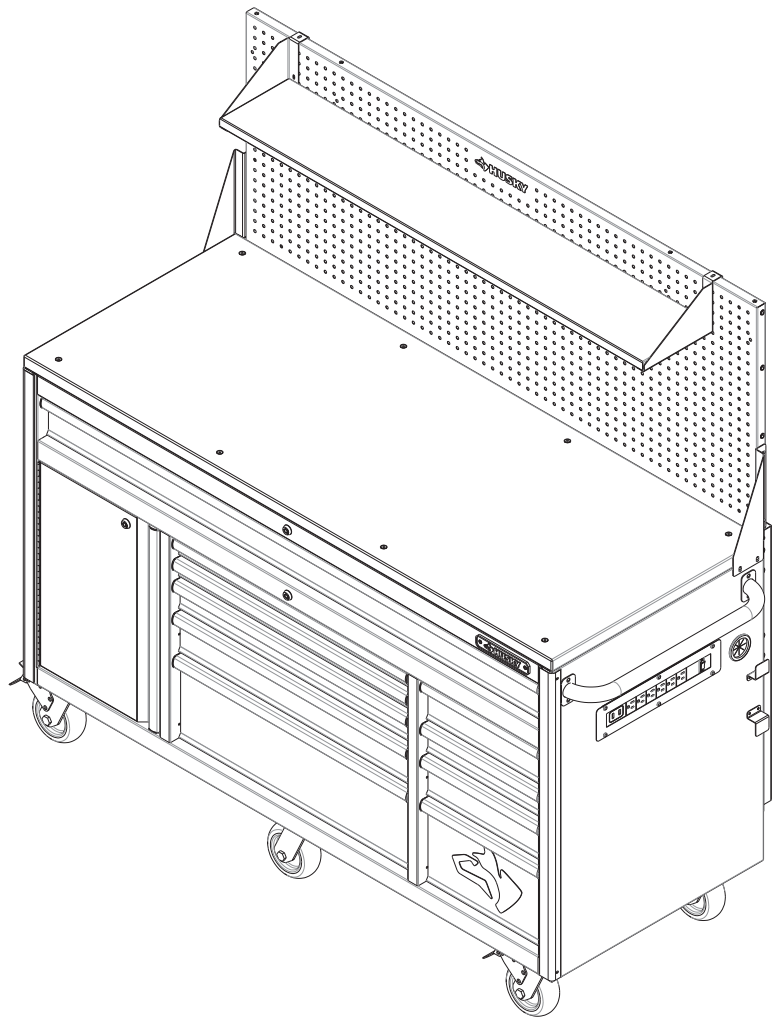
SKU # 1002 227 127
Model # HOTC6010BB2M

USE AND CARE GUIDE

Husky HD 60 in. 10-Drawer 1-Door 24 in. D Mobile Workbench with Pegboard and Shelf, Textured Black Matte

Questions, problems, missing parts?
Before returning to the store, call
Husky Customer Service
8 a.m.- 7 p.m., EST, Monday-Friday
9 a.m.- 6 p.m., EST, Saturday
1-888-43-HUSKY

HUSKYTOOLS.COM



THANK YOU

We appreciate the trust and confidence you have placed in Husky through the purchase of this mobile workbench. We strive to continually create quality products designed to enhance your home. Visit us online to see our full line of products available for your home improvement needs. Thank you for choosing Husky!

Table of Contents

Table of Contents	2	Assembly	6
Safety Information	2	Operation	7
Warranty	3	Maintenance	8
Pre-Assembly	4	Care and Cleaning	8
Tools Required	4	Service Parts	9
Hardware Included	4		
Specifications.....	4		
Package Contents	5		

Safety Information

1. Do not open more than one drawer at a time.
2. Do not let children approach the product.
3. To help prevent the product from tipping, load the product starting with the bottom drawers.
4. Keep the locking casters brake set unless you are moving the cabinet. This will help to prevent the product from rolling.
5. Lock all drawers before moving the product.
6. Make sure all drawers close tightly before locking/unlocking.
7. Do not step in any drawer/drawers.
8. When moving this product, push it rather than pull it.
9. Do not alter this product in any manner.



DANGER: Do not stand on this product. You may fall or cause the product to tip.



DANGER: Do not move the product prior to closing and locking all the drawers. The drawers could come open and make the product unstable and tip.



DANGER: Do not mount this product on a truck bed or any other moving object.



WARNING: Keep the product on a level surface. The product may become unstable and tip if stored or moved on an uneven surface.



CAUTION: Do not lift this product directly with a forklift or tow with any mechanical devices.



CAUTION: Do not exceed the maximum weight loading capacity of pegboard, shelf or drawers. See Specifications on page 4.



CAUTION: Only transport this product when empty. Properly secure when transporting.



CAUTION: Remove hands and objects when lowering the pegboard to avoid pinching or crushing.



CAUTION: Clear all obstructions on pegboard areas before lowering the pegboard to avoid damage to your items or this product.

Plug and Outlet Safety



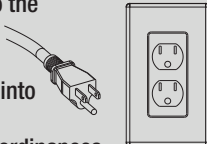
WARNING: Chest/cabinet plugs must match the outlet. Never modify the plug in any way. Do not use any adapter plugs with earth (grounded) chest/cabinet power strips. Unmodified plugs and matching outlets will reduce risk of electric shock.



WARNING: Avoid body contact with earthed or grounded surfaces such as pipes, radiators, ranges and refrigerators. There is increased risk of electric shock if your body is earthed or grounded.



WARNING: Chests/cabinets marked "Grounding Required" have a power strip with a three wire cord and three prong grounding plug. The plug must be connected to a properly grounded outlet (See Figure). If the power strip should electrically malfunction or break down, grounding provides a low resistance path to carry electricity away from the user, reducing the risk of electric shock. The grounding prong in the plug is connected through the green wire inside the cord to the grounding system in the power strip. The green wire in the cord must be the only wire connected to the power strip's grounding system and must never be attached to an electrically "live" terminal. Your power strip must be plugged into an appropriate outlet, properly installed and grounded in accordance with all codes and ordinances.



Warranty

The manufacturer warrants the product to be free from defects in materials and workmanship for a period of three (3) years from date of purchase. This warranty applies only to the original consumer and only to products used in normal use and service. If this product is found to be defective, the manufacturer's only obligation, and your exclusive remedy, is the repair or replacement of the product at the manufacturer's discretion, provided that the product has not been damaged through misuse, abuse, accident, modifications, alteration neglect or mishandling. This warranty shall not apply to any product that is found to have been improperly installed, set-up, or used in any way not in accordance with the instructions supplied with the product. This warranty shall not apply to a failure of the product as a result of an accident, misuse, abuse, negligence, alteration, faulty installation, or any other failure not relating to faulty material or workmanship. This warranty shall not apply to the finish on any portion of the products such as surface and/or weathering, as this is considered normal wear and tear.

The manufacturer does not warrant and specifically disclaims any warranty, whether express or implied, of fitness for a particular purpose, other than the warranty contained herein. The manufacturer specifically disclaims any liability and shall not be liable for any consequential or incidental loss or damage, including but not limited to any labor/expense costs involved in the replacement or repair of said product.

Contact the Customer Service Team at 1-888-43-HUSKY or visit www.huskytools.com.

Pre-assembly

TOOLS REQUIRED



Safety goggles

HARDWARE INCLUDED



NOTE: Hardware not shown to actual size.



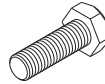
AA



BB



CC



DD



EE

Part	Description	Quantity
AA	Bolt M4x10L	8
BB	Bolt M6 x 15L	12
CC	Washer	24
DD	Bolt M8 x 15L	24
EE	10 mm/13 mm wrench	1

SPECIFICATIONS

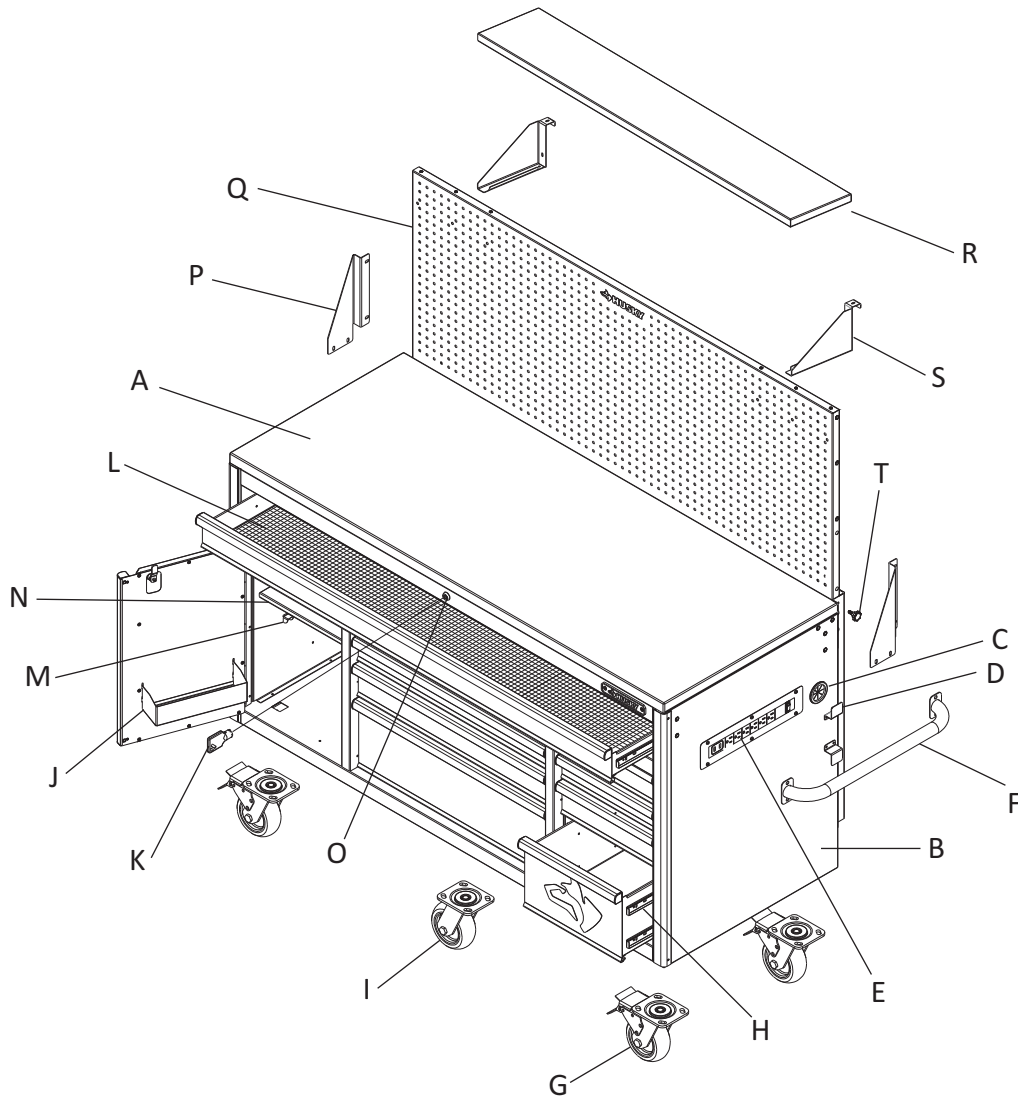
Maximum capacity (per drawer)	100 lbs
Maximum capacity (total unit)	2,200 lbs
Empty weight	451.2 lbs
Maximum pegboard capacity	200 lbs
Maximum shelf on pegboard capacity	40 lbs



NOTE: Begin product assembly close to the final intended location of your mobile workbench. This product is heavy and may be difficult to move after assembly.

Pre-assembly (continued)

PACKAGE CONTENTS



Part	Description	Quantity
A	Wood top	1
B	Tool cabinet	1
C	Grommet	1
D	Cord bracket (set)	1
E	Power strip	1
F	Side handle	1
G	Swivel caster w/brakes	4
H	Drawer slide 100 lbs (pair)	12
I	Swivel caster	2
J	Bottle shelf	1

Part	Description	Quantity
K	Key (set)	3
L	Drawer liner	10
M	Cabinet shelf clip	4
N	Cabinet shelf	1
O	Lock	3
P	Pegboard bracket (set)	1
Q	Pegboard	1
R	Pegboard shelf	1
S	Pegboard shelf bracket (set)	1
T	Locking thumb screw	2

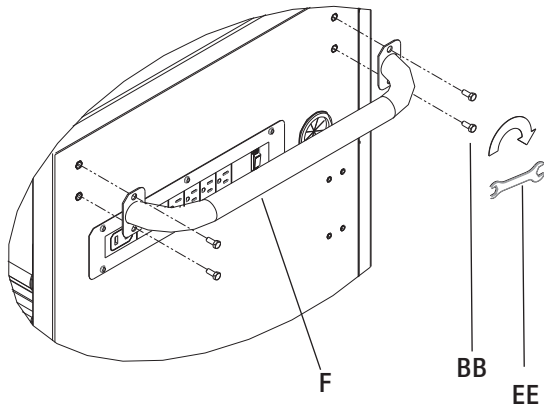
Assembly

1 Attaching the side handle

- Attach the side handle (F) to the cabinet using four bolts (BB).
- Tighten all bolts with the 10 mm wrench (EE).
Do not over tighten the bolts to avoid damage to the finish.



NOTE: The holes in the cabinet are tapped and do not require nuts.



2 Installing the casters



WARNING: Two or more people may be required for this step due to the weight of the workbench.

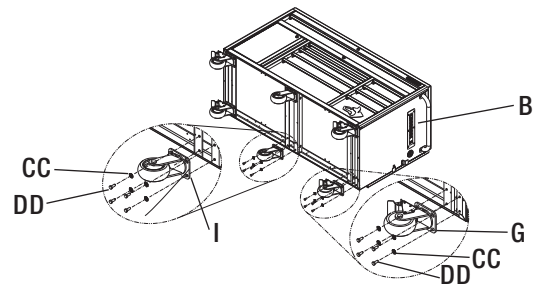


CAUTION: Do not over tighten the screws.



NOTE: The holes for casters are tapped and do not require nuts.

- Ensure all cabinet drawers are securely locked into place using the key (K) and lock (O) on the rolling cabinet (B).
- Lay the rolling cabinet (B) on its back on top of the packaging material to protect the finish.
- Mount the four swivel casters with brake (G) to the rolling cabinet (B) using four bolts (DD) and washers (CC) per caster. The swivel casters with brake (G) should be installed on each end at the cabinet.
- Mount the two swivel casters (I) to the center of the rolling cabinet (B) using four bolts (DD) and washers (CC) per caster.
- Tighten all bolts with a 13 mm wrench.
- Return the rolling cabinet (B) to its upright position.

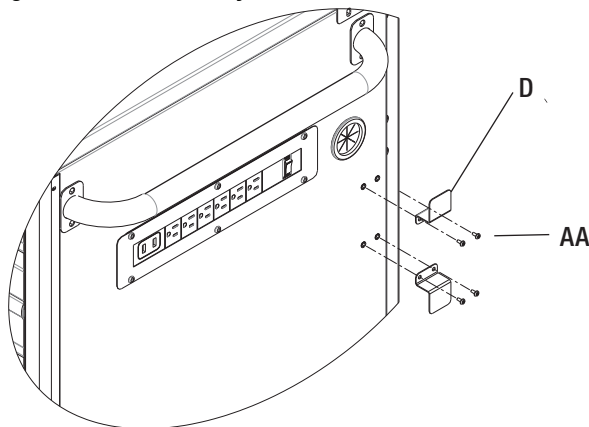


3 Installing the cord brackets



NOTE: The holes in the cabinet are tapped and do not require nuts.

- Attach the cord bracket (D) to the cabinet using two bolts (AA) per bracket.
- Tighten all bolts securely.

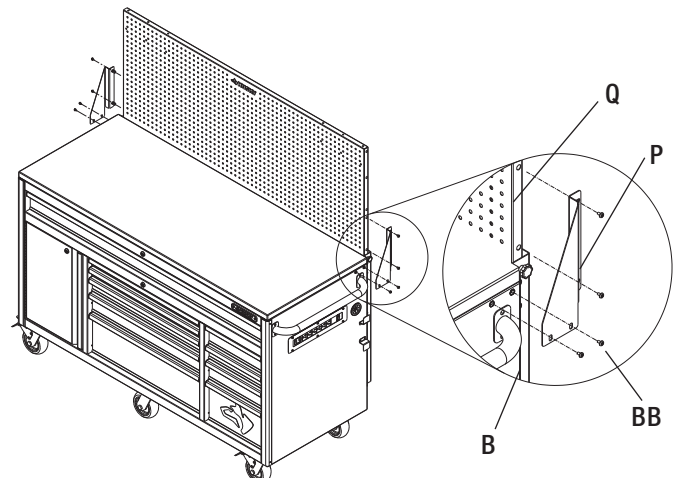


4 Installing the pegboard brackets



NOTE: The holes in the cabinet are tapped and do not require nuts.

- Attach the pegboard bracket (P) to the cabinet (B) and pegboard (Q) using four bolts (BB) per bracket.
- Tighten all bolts securely.



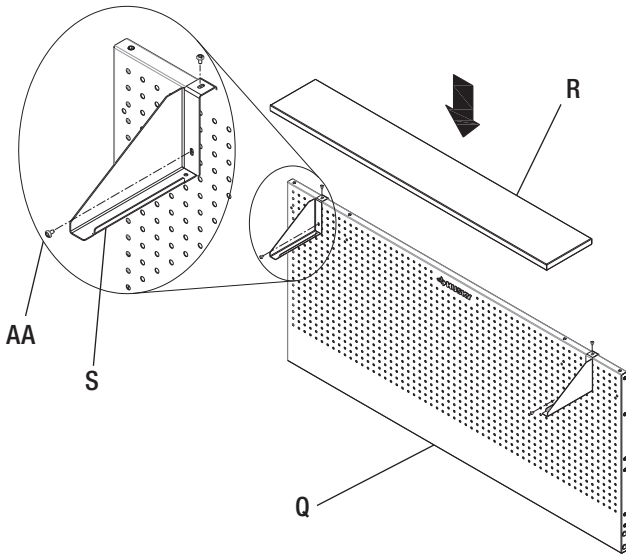
Assembly (continued)

5 Installing the pegboard shelf brackets



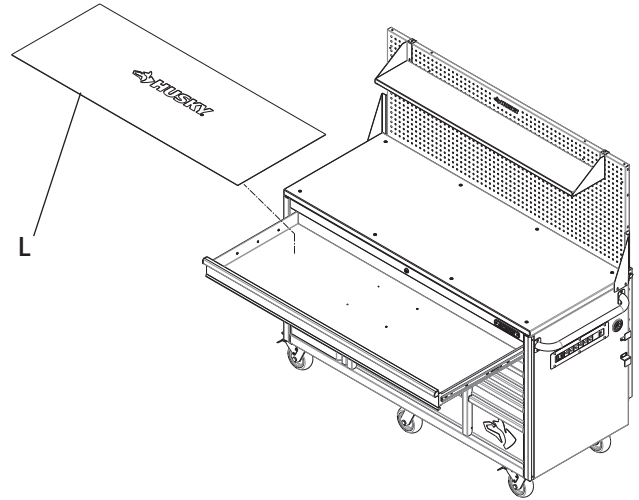
NOTE: The holes in the cabinet are tapped and do not require nuts.

- Attach the pegboard shelf bracket (S) to the pegboard (Q) using two bolts (AA) per bracket.
- Tighten all bolts securely.
- Place the shelf (R) on the bracket safely.



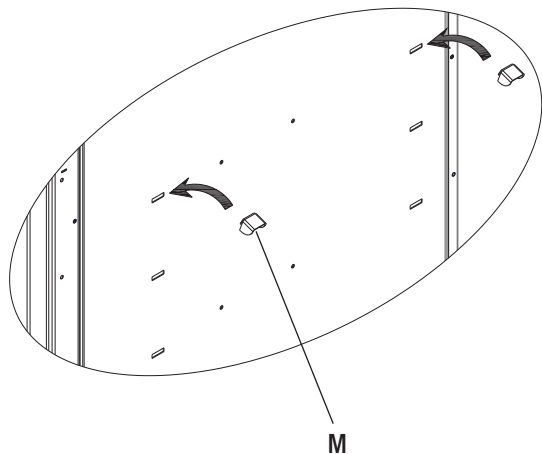
6 Installing the drawer liners

- Place the drawer liners (L) in appropriately-sized drawers to protect the surface.



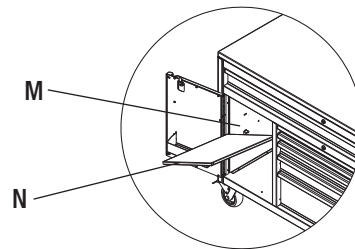
7 Installing the shelf brackets

- Install the four shelf brackets (M) inside the storage area at the desired shelf height location.
- Ensure all shelf brackets are aligned horizontally and are properly seated in the bracket slots.

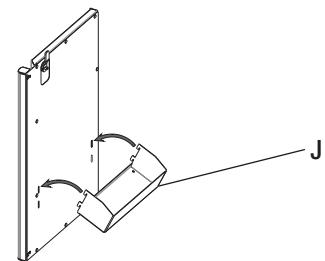


8 Installing the shelf

- Install the shelf (N) inside the storage area so that it sits on top of the four shelf brackets (M) flush and level.



- Install the bottle shelf (J) in the slots on the inside of door.



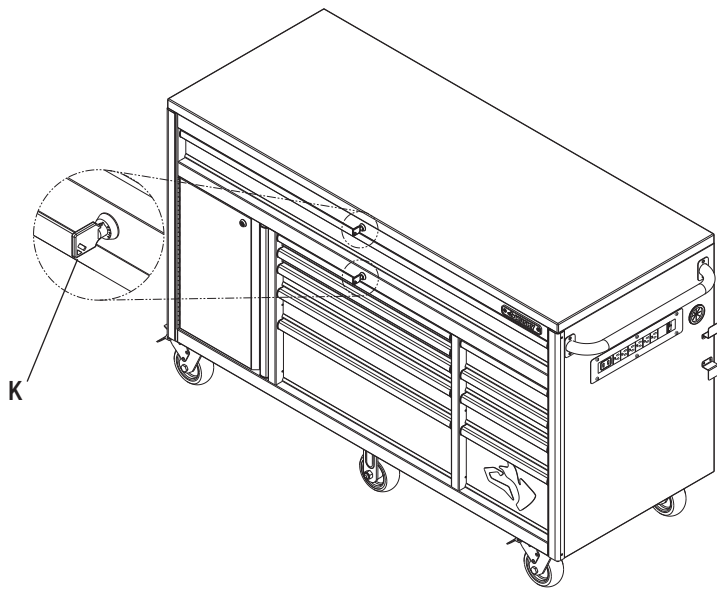
Operation

1 Locking and unlocking the unit



IMPORTANT : The drawers must be fully closed before locking / unlocking the unit.

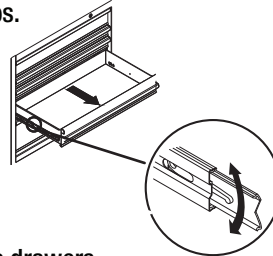
- To lock the unit, insert the key (K) into the lock (O) and turn it one quarter turn counterclockwise. Then remove the key.
- To unlock the unit, insert the key (K) into the lock (O) and turn it one quarter turn clockwise. Then remove the key.



2 Removing/installing the drawers

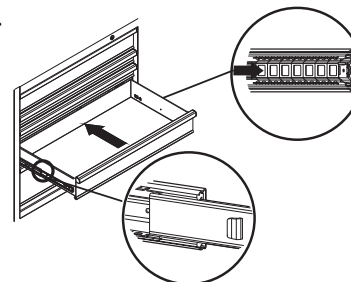
Removing the drawers -

- Fully extend and empty the drawer.
- On the slide, lift up the plastic release lever on one slide and push down the plastic release lever on the other slide. Gently pull the drawer out so the slides can ride over the stops.



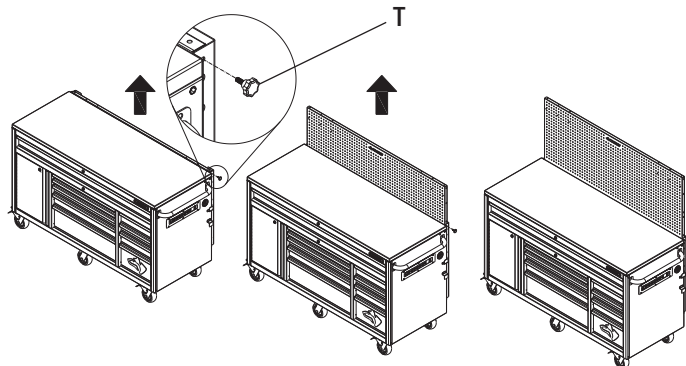
Installing the drawers -

- Pull the slides and slide carrier out until fully extended.
- Hold the slide on the cabinet while aligning it with the slide on the drawer.
- Slightly insert one side and repeat for the other side.
- Slowly push the drawer until it is fully closed to engage the slide.
- Open the drawer and close it to verify proper operation.



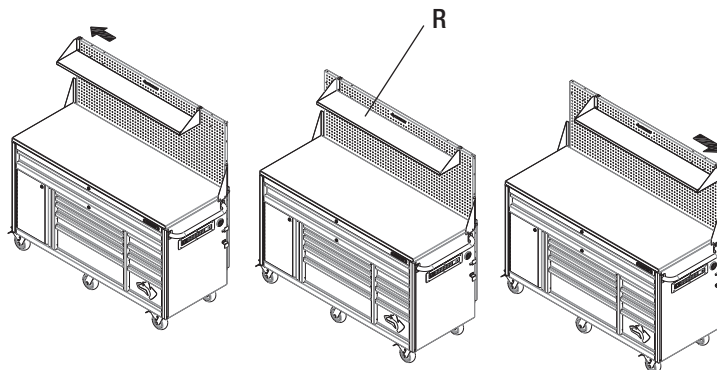
3 Positioning the pegboard

- The pegboard is shipped and secured in its stored location.
- To raise the pegboard to a usable height, remove the locking thumb screws (T) at the top of the pegboard slides.
- The pegboard can be raised to either mid or full height position by pulling straight up. When in mid or full height position, two pairs of ball detents will temporarily hold the pegboard in place.
- The locking thumb screw (T) holes and the tapped holes located in the frame of the pegboard will align.
- Reinstall the locking thumb screws (T) to secure the pegboard.



4 Positioning the pegboard shelf

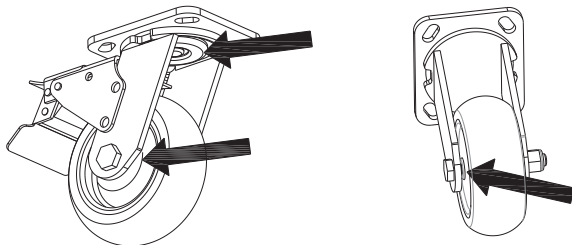
- The pegboard shelf (R) can be installed using the pre-drilled holes on either left side, center, or right side of the pegboard.



Maintenance

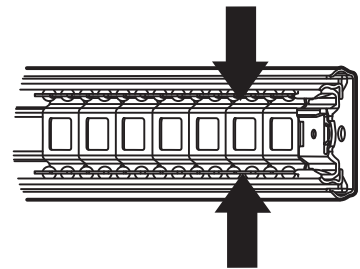
1 Maintaining the casters

- Grease the casters annually using high quality bearing grease.



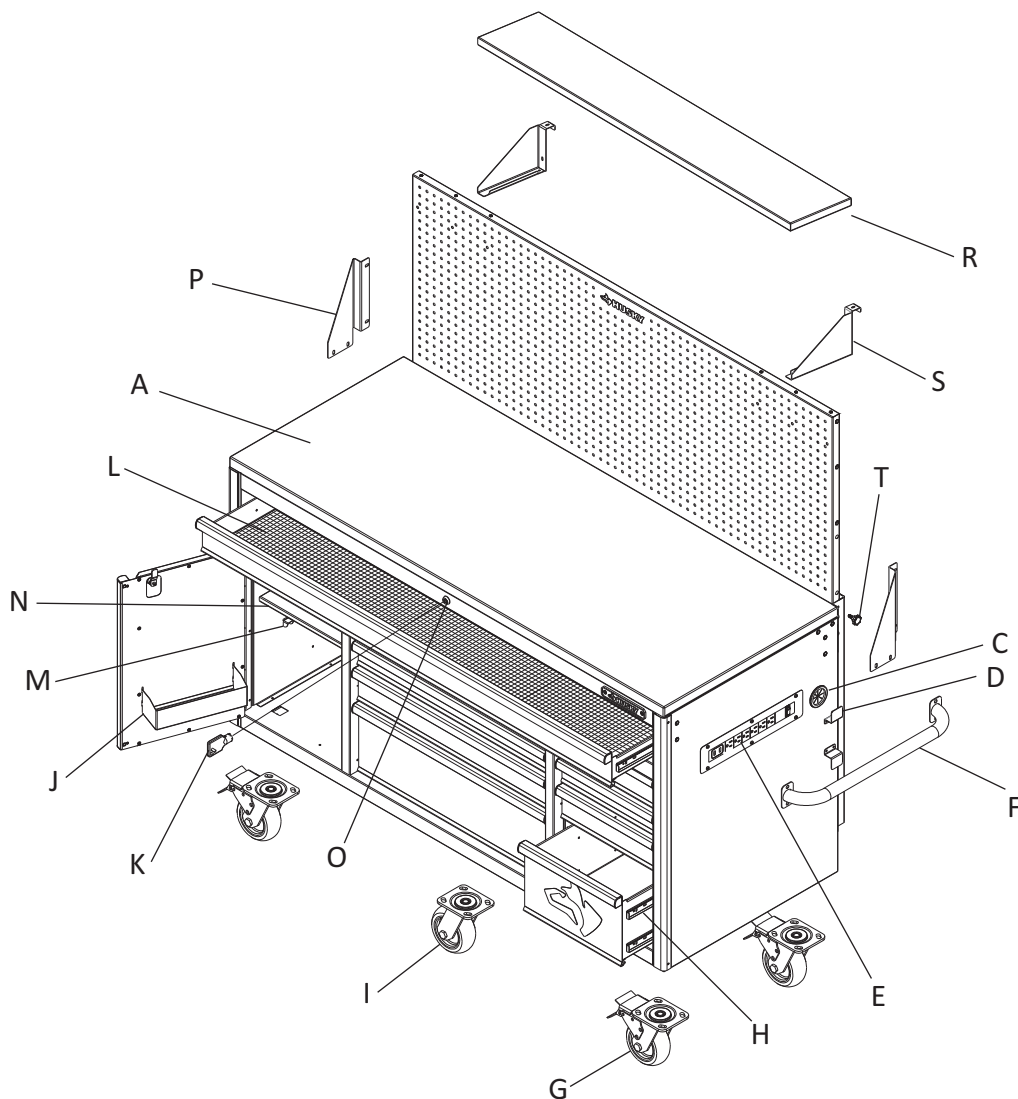
2 Maintaining the drawers

- Periodically clean the drawer trim and inside the drawers with a mild detergent and water.
- Remove grease and oil with a standard, nonflammable cleaning fluid.
- The use of drawer liners is recommended to protect the finish inside the drawers and make the drawers easier to clean. Drawer liners can be purchased at The Home Depot.
- Lubricate the slides semi-annually with grease or equivalent.



Care and Cleaning

- This steel product has been coated with industrial powder coating for a durable finish. To help protect this finish, do not allow harsh chemicals such as oil or grease to remain on the powder coating surface. Use a glass cleaner (Windex® or equivalent product) to clean and maintain all powder coated surfaces.
- The wood top is made of Parawood (also called Rubberwood) which has a polyurethane coating to help protect it from moisture. It can be cleaned with most household cleaners, such as Windex®.



Part	Description	Quantity
A	Wood top	1
C	Grommet	1
D	Cord bracket (set)	1
F	Side handle	1
G	Swivel caster w/brakes	4
H	Drawer slide 100 lbs (pair)	12
I	Swivel caster	2
J	Bottle shelf	1
K	Key (set)	3

Part	Description	Quantity
L	Drawer liner	10
M	Cabinet shelf clip	4
N	Cabinet shelf	1
O	Lock	3
P	Pegboard bracket (set)	1
Q	Pegboard	1
R	Pegboard shelf	1
S	Pegboard shelf bracket (set)	1
T	Locking thumb screw	2



Questions, problems, missing parts? Before returning to the store, call
Husky Customer Service
8 a.m.-7 p.m., EST, Monday-Friday, 9 a.m. - 6 p.m. EST Saturday

1-888-43-HUSKY

HUSKYTOOLS.COM

Retain this manual for future use.