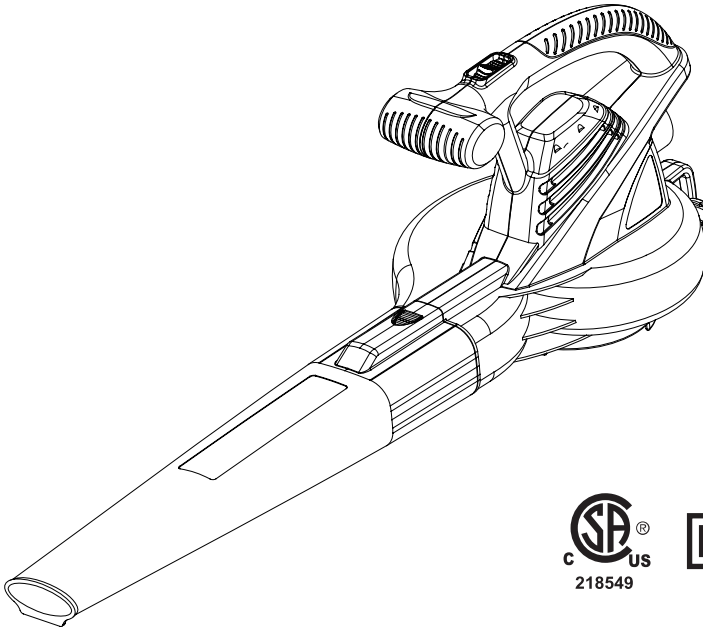



greenworks™

7 AMP ELECTRIC BLOWER

24012




c US
218549



Owner's Manual

TOLL-FREE HELPLINE: 1-888-90WORKS (888.909.6757)

 Read all safety rules and instructions carefully before operating this tool.

CONTENTS

Contents	2
Specifications	2
Important Safety Instructions.....	3-4
Specific Safety Rules.....	5-6
Symbols.....	7-8
Electrical.....	9-10
Know Your Blower.....	11
Assembly.....	12-13
Operation.....	14-15
Maintenance.....	16
Troubleshooting.....	17
Warranty.....	18
Exploded View.....	19
Parts List.....	20
Notes.....	21

SPECIFICATIONS

7 AMP ELECTRIC BLOWER

Motor	120V, AC only, 60Hz, 7.0 Amps
Air velocity.....	160 MPH
Air volume	150 CFM
Unit Weight.....	4.5 lb.



IMPORTANT SAFETY INSTRUCTIONS

READ AND UNDERSTAND ALL INSTRUCTIONS.

Failure to follow all instructions listed below may result in electric shock, fire, and/or serious personal injury.

READ THESE INSTRUCTIONS BEFORE USING THE BLOWER

- Do not operate power tools in explosive atmospheres, such as in the presence of flammable liquids, gases, or dust. Power tools create sparks which may ignite the dust or fumes.
- Avoid body contact with grounded surfaces such as pipes, radiators, ranges, and refrigerators. There is an increased risk of electric shock if your body is grounded.
- Don't expose power tools to rain or wet conditions. Water entering a power tool will increase the risk of electric shock.
- Do not expose to rain; store indoors.
- Do not handle plug or tool with wet hands.
- Use outdoor extension cords marked W-A, W, SW-A, SOW-A, STW-A, STOW-A, SJW-A, SJTW-A, or SJTOW-A. These cords are rated for outdoor use and reduce the risk of electric shock.
- Never allow children to operate the equipment. Never allow adults to operate the equipment without proper instruction.
- Keep all bystanders, children, and pets at least 50 ft. away.
- Always wear safety glasses with side shields. Everyday glasses have only impact resistant lenses. They are NOT safety glasses. Following this rule will reduce the risk of eye injury. Use face mask if operation is dusty.
- Wear eye protection which is marked to comply with ANSI Z87.1 when operating this product.
- Use extra care when cleaning on stairs.
- Do not leave appliance plugged in. Unplug from outlet when not in use and before servicing.
- Use only as described in this manual. Use only manufacturer's recommended attachments.
- Use only identical manufacturer's replacement parts and accessories. Use of any other parts may create a hazard or cause product damage.
- Keep hair, loose clothing, fingers and all body parts away from openings and moving parts.
- Secure long hair so it is above shoulder level to prevent entanglement in any moving parts.
- Wear heavy long pants, boots, and gloves. Avoid loose garments or jewelry that could get caught in moving parts of the machine or its motor.
- Do not operate the equipment while barefoot or when wearing sandals or similar lightweight footwear. Wear protective footwear that will protect your feet and improve your footing on slippery surfaces.

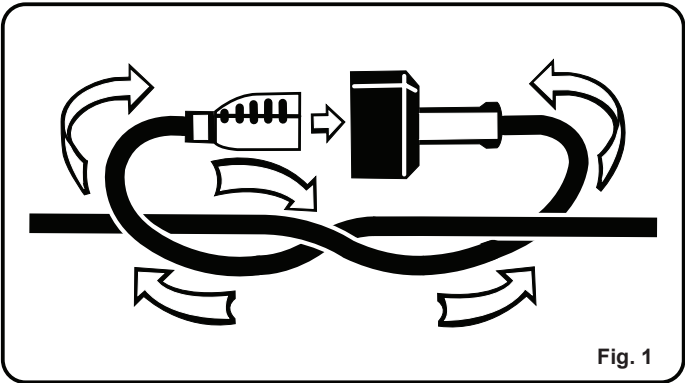
IMPORTANT SAFETY INSTRUCTIONS

- Do not force tool. Use the correct tool for your application. The correct tool will do the job better and safer at the rate for which it is designed.
- Keep firm footing and balance. Do not overreach. Overreaching can result in loss of balance.
- Turn off all controls before unplugging.
- Avoid accidental starting. Be sure the power switch is not on before plugging in. Turn off power switch before unplugging.
- Do not use tool if switch does not turn it on or off. Any tool that cannot be controlled with the switch is dangerous and must be repaired.
- Do not use with damaged plug. If tool is not working as it should or has been dropped, damaged, left outdoors, or dropped into water, return it to an authorized service center.
- Do not operate this unit when you are tired, ill, or under the influence of alcohol, drugs, or medication.
- Do not operate in poor lighting.
- Keep all parts of your body away from any moving parts and all hot surfaces of the unit.
- Do not put any object into openings. Do not use with any opening blocked; keep openings free of dust, lint, hair, and anything that may reduce air flow.
- Check the work area before each use. Remove all objects such as rocks, broken glass, nails, wire, or string which can be thrown or become entangled in the machine.
- Do not pull or carry by cord, use cord as a handle, close a door on a cord, or pull cord around sharp edges or corners. Do not run appliance over cord. Keep cord away from heated surfaces.
- Do not unplug by pulling on cord. To unplug, grasp the plug, not the cord.
- Do not handle plug or appliance with wet hands.
- Do not use with damaged cord or plug. If appliance is not working as it should, has been dropped, damaged, left outdoors, or dropped into water, return it to a service center.
- If the power supply cord is damaged, it must be replaced only by the manufacturer or by an authorized service center to avoid risk.
- Service on the product must be performed by qualified repair personnel only. Service or maintenance performed by unqualified personnel could result in injury to the user or damage to the product.
- In a double insulated appliance, two systems of insulation are provided instead of grounding. No grounding means is provided on a double insulated appliance, nor should a means for grounding be added to the appliance. Servicing a double insulated appliance requires extreme care and knowledge of the system and should be done only by qualified service personnel. Replacement parts for a double insulated appliance must be identical to the parts they replace.
- Not intended for commercial use.

SAVE THESE INSTRUCTIONS

SPECIFIC SAFETY RULES FOR BLOWER

- Extension Cord – To reduce the risk of disconnection of appliance cord from the extension cord during operating, it is possible to tie the extension cord and power cord in a knot to prevent them from becoming disconnected during use. Make the knot as shown in figure 1, then connect the plug end of the power cord into the receptacle end of the extension cord. This method can also be used to tie two extension cords together.



- Make sure your extension cord is in good condition. When using an extension cord, be sure to use one heavy enough to carry the current your product will draw. A wire gauge size (A.W.G.) of at least 14 is recommended for an extension cord 50 feet or less in length. If in doubt, use the next heavier gauge. The smaller the gauge number, the heavier the cord. An undersized cord will cause a drop in line voltage resulting in loss of power and overheating.
- Do not point the blower nozzle in the direction of people or pets.
- Never run the unit without the proper equipment attached. Always ensure the blower tubes are installed.
- When not in use, blower should be stored indoors in a dry, locked up place—out of the reach of children.
- Maintain tool with care. Keep fan area clean for best and safest performance. Follow instructions for proper maintenance.
- Do not attempt to clear clogs from tool without first unplugging it.
- Do not pull or carry by cord, use cord as a handle, or pull cord around sharp edges or corners. Keep cord away from heated surfaces.
- Do not unplug by pulling on cord. To unplug, grasp the plug, not the cord.
- To reduce the risk of electrical shock, do not expose to rain, do not use on wet surfaces. Store indoors.
- If the power supply cord is damaged, it must be replaced only by the manufacturer or by an authorized service center to avoid risk.

SPECIFIC SAFETY RULES FOR BLOWER

- Save these instructions. Refer to them frequently and use them to instruct others who may use this power tool. If you loan someone this power tool, loan them these instructions also.

WHILE OPERATING UNIT AS A BLOWER

- Never point the blower in the direction of people or pets or in the direction of windows. Use extra caution when blowing debris near solid objects such as trees, automobiles and walls.

OTHER SAFETY WARNINGS

- Be sure to secure the unit while transporting.
- Store the unit in a dry area, locked up to prevent unauthorized use or damage, and stored in a high place out of the reach of children.
- Never douse or squirt the unit with water or any other liquid. Keep handles dry, clean and free from debris. Clean after each use. See the Cleaning and Storage instructions.
- Keep these instructions. Refer to them often and use them to instruct other users. If you loan someone this unit, also loan them these instructions.

PROPOSITION 65

W A R N I N G

Some dust created by power sanding, sawing, grinding, drilling, and other construction activities contains chemicals known to cause cancer, birth defects or other reproductive harm. Some examples of these chemicals are:












- Lead from lead-based paints
- Crystalline silica from bricks and cement and other masonry products
- Arsenic and chromium from chemically-treated lumber

Your risk from these exposures varies, depending on how often you do this type of work. To reduce your exposure to these chemicals: work in a well ventilated area, and work with approved safety equipment, such as those dust masks that are specially designed to filter out microscopic particles.

SAVE THESE INSTRUCTIONS




SYMBOLS

Some of the following symbols may be used on this product. Please study them and learn their meaning. Proper interpretation of these symbols will allow you to operate the product better and safer.

SYMBOL	NAME	DESIGNATION/EXPLANATION
V	Volts	Voltage
A	Amperes	Current
Hz	Hertz	Frequency (cycles per second)
W	Watt	Power
min	Minutes	Time
~	Alternating Current	Type of current
≡	Direct Current	Type or a characteristic of current
	Class II Construction	Double-insulated construction
	Wet Conditions Alert	Do not expose to rain or use in damp locations
	Read The Operator's Manual	To reduce the risk of injury user must read and understand operator's manual before using this product.
	Safety Alert	Precautions that involve your safety.
	Keep Bystanders Away	Keep all bystanders at least 50 ft. away.
	Eye Protection	Always wear safety goggles or safety glasses with side shields and, as necessary, a full face shield when operating this product.
	Long Hair	Failure to keep long hair away from the air inlet could result in personal injury.
	Loose Clothing	Failure to keep loose clothing from being drawn into air intake could result in personal injury.
	Ricochet	Thrown objects can ricochet and result in personal injury or property damage.
	Sharp Blade	Danger – Keep hands and feet away from blade.
	No Hand Symbol	Failure to keep your hands away from the blade will result in serious personal injury.

SYMBOLS

The following signal words and meanings are intended to explain the levels of risk associated with this product.

SYMBOL	SIGNAL	MEANING
	DANGER	Indicates an imminently hazardous situation, which, if not avoided, will result in death or serious injury.
	WARNING	Indicates a potentially hazardous situation, which, if not avoided, could result in death or serious injury.
	CAUTION	Indicates a potentially hazardous situation, which, if not avoided, may result in minor or moderate injury.
	CAUTION	(Without Safety Alert Symbol) Indicates a situation that may result in property damage.

SERVICE

Service requires extreme care and knowledge and should be performed only by a qualified service technician. For service we suggest you return the product to your nearest **AUTHORIZED SERVICE CENTER** for repair. When servicing, use only identical replacement parts.

W A R N I N G

To avoid serious personal injury, do not attempt to use this product until you read thoroughly and understand completely the operator's manual. If you do not understand the warnings and instructions in the operator's manual, do not use this product. Call GREENWORKS customer service for assistance.

W A R N I N G



The operation of any power tool can result in foreign objects being thrown into your eyes, which can result in severe eye damage. Before beginning power tool operation, always wear safety goggles or safety glasses with side shields and, when needed, a full face shield. We recommend Wide Vision Safety Mask for use over eyeglasses or standard safety glasses with side shields. Always use eye protection which is marked to comply with ANSI Z87.1.

ELECTRICAL

WARNING

THIS DETHATCHER IS FOR OUTDOOR USE ONLY. DO NOT EXPOSE TO RAIN OR USE IN DAMP LOCATIONS.

GUIDELINES FOR USING EXTENSION CORDS

USE THE PROPER EXTENSION CORD. Make sure your extension cord is in good condition. When using an extension cord, be sure to use one of heavy enough gauge to carry the current your product will draw. An undersized cord will cause overheating. The table below shows the correct size to use depending on cord length and nameplate ampere rating. If in doubt, use the next heavier gauge. The smaller the gauge number, the heavier the cord.

**Ampere rating (on tool faceplate)

MINIMUM GAUGE FOR EXTENSION CORDS (AWG) (WHEN USING 120V ONLY)

Amp Rating		Total Length of Cord in Feet (meters)			
More Than	Not More Than	25' (7.6 m)	50' (15 m)	100' (30.4 m)	150' (45.7 m)
0	6	18	16	16	14
6	10	18	16	14	12
10	12	16	16	14	12
12	16	14	12	Not Recommended	

Make sure your extension cord is properly wired and in good electrical condition. Always replace a damaged extension cord or have it repaired by a qualified technician before use. Keep extension cords away from sharp objects, excessive heat and damp or wet areas.

Use a separate electrical circuit for tools. This circuit should not be less than #12 wire and should be protected with a 15 A time delayed fuse. Before connecting the motor to the power line, make sure the switch is in the OFF position and the electric current is rated the same as the current stamped on the motor nameplate. Running at a lower voltage will damage the motor.

WARNING

KEEP THE EXTENSION CORD CLEAR OF THE TINES AND WORKING AREA. POSITION THE CORD SO THAT IT WILL NOT GET CAUGHT ON LUMBER, TOOLS OR OTHER OBSTRUCTIONS WHILE YOU ARE WORKING WITH A CULTIVATOR. FAILURE TO DO SO CAN RESULT IN SERIOUS PERSONAL INJURY.

ELECTRICAL

WARNING

CHECK EXTENSION CORDS BEFORE EACH USE. IF DAMAGED REPLACE IMMEDIATELY. NEVER USE TOOL WITH A DAMAGED CORD SINCE TOUCHING THE DAMAGED AREA COULD CAUSE ELECTRICAL SHOCK RESULTING IN SERIOUS INJURY.

ELECTRICAL CONNECTION

This tool is powered by a precision built electric motor. It should be connected to a **power supply that is 120 volts, 60 Hz, AC only (normal household current)**. Do not operate this tool on direct current (DC). A substantial voltage drop will cause a loss of power and the motor will overheat. If the product does not operate when plugged into an outlet, double check the power supply.

SPEED AND WIRING

The speed is not constant and decreases under a load or with lower voltage. For voltage, the wiring in a shop is as important as the motor's horsepower rating. A line intended only for lights cannot properly carry a cultivator motor. Wire that is heavy enough for a short distance will be too light for a greater distance. A line that can support one cultivator may not be able to support two or three tools.

FOR ALL DOUBLE-INSULATED APPLIANCES

Replacement Parts — When servicing use only identical replacement parts.

Polarized Appliance Connections — To reduce the risk of electric shock, this appliance has a polarized plug (one blade is wider than the other) and will require the use of a polarized extension cord. The appliance plug will fit into a polarized extension cord only one way. If the plug does not fit fully into the extension cord, reverse the plug. If the plug still does not fit, obtain a correct polarized extension cord. A polarized extension cord will require the use of a polarized wall outlet. This plug will fit into the polarized wall outlet only one way. If the plug does not fit fully into the wall outlet, reverse the plug. If the plug still does not fit, contact a qualified electrician to install the proper wall outlet. Do not change the equipment plug, extension cord receptacle, or extension cord plug in any way.

KNOW YOUR BLOWER

The safe use of this product requires an understanding of the information on the tool and in this operator's manual as well as a knowledge of the project you are attempting. Before use of this product, familiarize yourself with all operating features and safety rules. (See Fig. 2)

BLOWER TUBE

The blower tube can be easily installed on the blower without any additional tools.

CORD RETAINER

A convenient cord retainer helps keep the extension cord connection secure during blower operation.

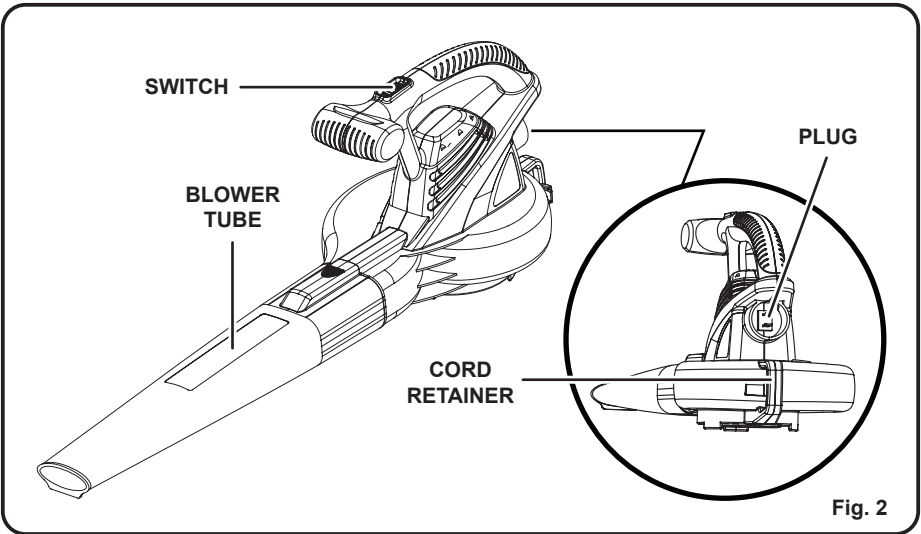


Fig. 2

ASSEMBLY

UNPACKING

- This product requires assembly.

WARNING

This new product has been shipped in a partially assembled condition as described below. Carefully check the packing list below to ensure all items are included in the package; the packing list describes all loose items that are not assembled to the product as shipped. Do not operate the product if any packing list items are already assembled to your product when you unpack it. Call the customer service number below for assistance. Operation of a product that may have been improperly pre-assembled could result in serious personal injury.

- Carefully remove the product and any accessories from the box. Make sure that all items listed in the packing list are included.
- Inspect the product carefully to make sure no breakage or damage occurred during shipping.
- Do not discard the packing material until you have carefully inspected and satisfactorily operated the product.
- If any parts are damaged or missing, please call **1-888- 909-6757** for assistance.

PACKING LIST

- Electric blower
- Blower tube
- Operator's Manual

WARNING

If any parts are damaged or missing do not operate this product until the parts are replaced. Failure to heed this warning could result in serious personal injury

WARNING

Do not attempt to modify this product or create accessories not recommended for use with this product. Any such alteration or modification is misuse and could result in a hazardous condition leading to possible serious personal injury.

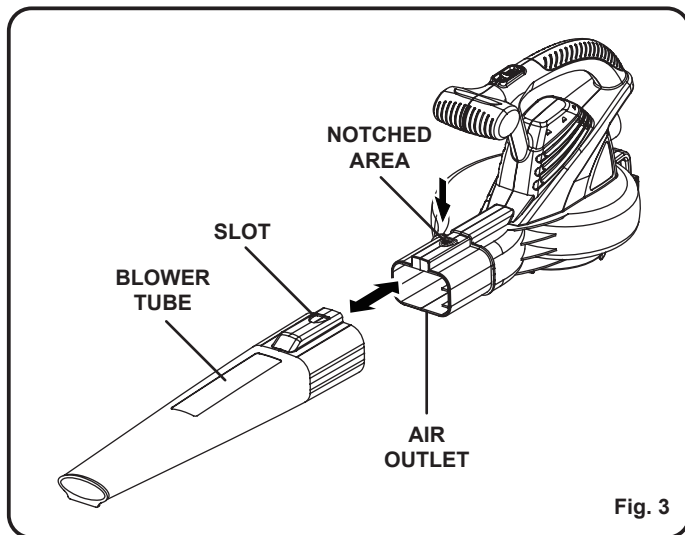
WARNING

Do not connect to power supply until assembly is complete. Failure to comply could result in accidental starting and possible serious personal injury.

ASSEMBLY

ASSEMBLING THE BLOWER TUBE (See Fig. 3)

Slide blower tube forward until the notched areas on the blower housing locks into the slots on the tube.



OPERATION

⚠ WARNING

To reduce the risk of electrical shock, this appliance has a polarized plug (one blade is wider than the other). This plug will fit in a polarized outlet only one way. If the plug does not fit fully in the outlet, reverse the plug. If it still does not fit, contact a qualified electrician to install the proper outlet. Do not change the plug in any way. This unit has a polarized plug (one blade is wider than the other) and will require the use of a polarized extension cord. This unit plug will only fit into a polarized extension cord in one orientation. If the plug does not fully fit into the extension cord, reverse the plug. If the plug still does not fit, obtain a correct polarized extension cord. A polarized extension cord will require the use of a polarized wall outlet. This plug will only fit into a polarized wall outlet in a specific orientation. If the plug does not fit fully into the wall outlet, reverse the plug. If the plug still does not fit, contact a qualified electrician to install the proper wall outlet. Do not change the unit plug, extension cord receptacle, or extension cord plug in any way.

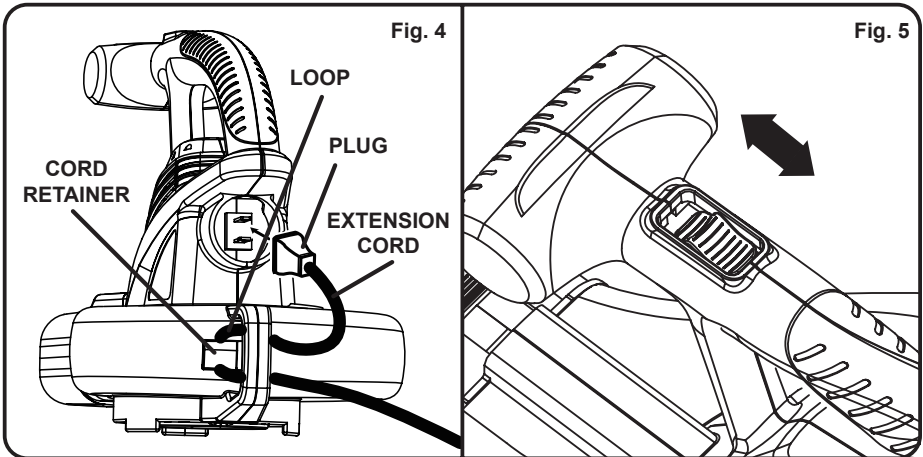
OPERATION

CONNECTING THE POWER CORD

1. Secure the extension cord to the motor housing using the notch at rear of blower. This prevents accidental removal of the electrical cord.
2. Plug the female end of the electrical cord into the receptacle at the back of the unit.

STARTING/STOPPING THE BLOWER (See Fig. 4 - 5.)

- To start the blower, place the power switch in the ON position.
- To stop the blower, place the power switch in the OFF position



OPERATING THE BLOWER (See Fig. 6)

- To keep from scattering debris, blow around the outer edges of a debris pile. Never blow directly into the center of a pile.
- To reduce sound levels, limit the number of pieces of equipment used at any one time.
- Use rakes and brooms to loosen debris before blowing. In dusty conditions, slightly dampen surfaces when water is available.
- Conserve water by using power blowers instead of hoses for many lawn and garden applications, including areas such as gutters, screens, patios, grills, porches, and gardens.
- Watch out for children, pets, open windows, or freshly washed cars, and blow debris safely away.

OPERATION

- Watch out for children, pets, open windows, or freshly washed cars, and blow debris safely away.
- Hold the blower with the handle in your right hand.
(Proper operating position is shown in figure 6.)
- Operate power equipment at reasonable hours only— not early in the morning or late at night when people might be disturbed. Comply with the times listed in local ordinances.
- Operate blower at the lowest possible throttle speed to do the job.
- After using blowers or other equipment, CLEAN UP! Dispose of debris properly.



Fig. 6

MAINTENANCE

SERVICING DOUBLE-INSULATED UNITS

This unit is double insulated. In a double-insulated unit, two systems of insulation are provided instead of grounding. There is no grounding provided and no means of grounding should be added to this unit. Extreme care and knowledge of the system is required when servicing a double-insulated unit. Service should be performed by qualified service personnel only. Replacement parts for a double-insulated unit must be identical to the parts they replace. Refer any repairs to an authorized service dealer. A double-insulated unit is marked with the words "double insulation" or "double insulated."

CLEANING THE UNIT

WARNING

To avoid serious personal injury, always turn the unit off and unplug it before cleaning or servicing. Use a small brush to clean off the outside of the unit. Do not use strong detergents, household cleaners that contain aromatic oils such as pine and lemon, and solvents such as kerosene as they can damage plastic housings or handles. Wipe off any moisture with a soft, dry cloth.

STORAGE

- Store the unit locked up to prevent unauthorized use or damage.
- Store the unit in a dry, well-ventilated area.
- Store the unit out of the reach of children

INSPECT EXTENSION CORDS

Inspect all extension cords periodically. Look closely for deterioration, cuts or cracks in the insulation. Inspect the connectors for damage. Replace cords if defective or damaged.

TROUBLESHOOTING

<u>PROBLEM</u>	<u>POSSIBLE CAUSE</u>	<u>SOLUTION</u>
Unit will not blow.	1. Blocked tube.	1. Clear the blockage as described on page 11.
	2. Unit unplugged.	2. Plug into an outlet or an extension cord.
Unit will not start.	1. Unit is unplugged.	1. Check cord to make sure it is plugged into an electrical outlet.
	2. Defective power switch.	2. Return to place of purchase or return the unit to a repair center.

LIMITED FOUR-YEAR WARRANTY



GREENWORKS™ hereby warrants this product, to the original purchaser with **proof of purchase**, for a period of four (4) years against defects in materials, parts or workmanship. GREENWORKS™, at its own discretion will repair or replace any and all parts found to be defective, through normal use, free of charge to the customer. This warranty is valid only for units which have been used for personal use that have not been hired or rented for industrial/commercial use, and that have been maintained in accordance with the instructions in the owners' manual supplied with the product from new.

Battery carries a one (1) year warranty against defects in workmanship and materials. Batteries must be charged in accordance with the operator's manuals directions and regulations in order to be valid.

ITEMS NOT COVERED BY WARRANTY:

1. Any part that has become inoperative due to misuse, commercial use, abuse, neglect, accident, improper maintenance, or alteration; or
2. The unit, if it has not been operated and/or maintained in accordance with the owner's manual; or
3. Normal wear, except as noted below;
4. Routine maintenance items such as lubricants, blade sharpening;
5. Normal deterioration of the exterior finish due to use or exposure.

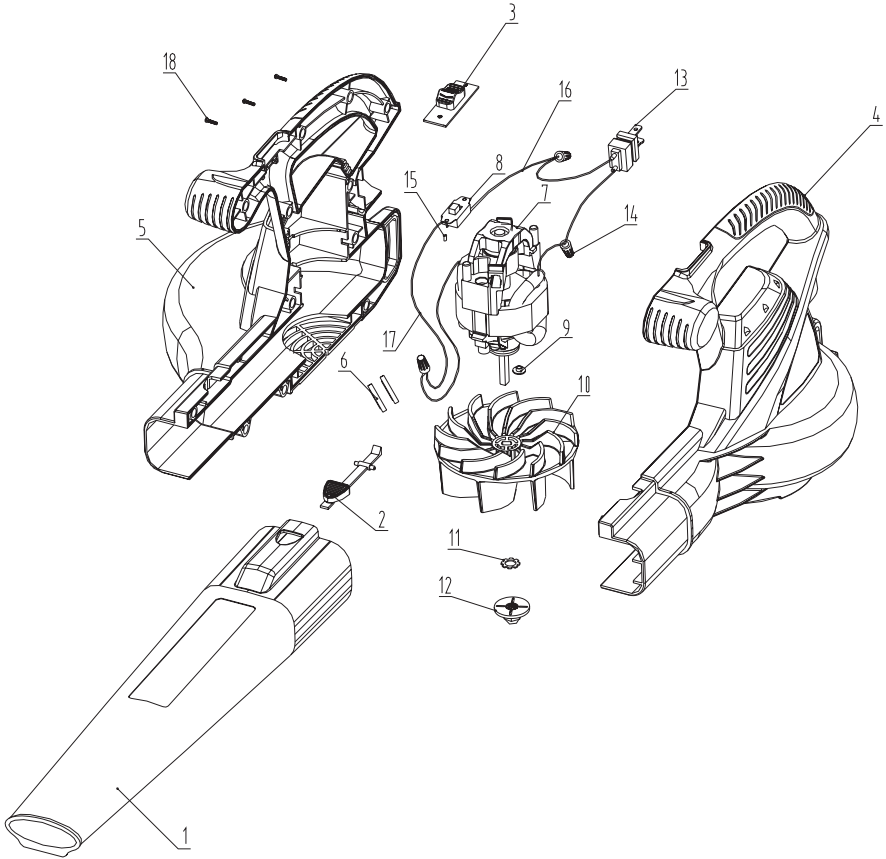
GREENWORKS HELPLINE (1-888-90WORKS):

Warranty service is available by calling our toll-free helpline, 9am to 5pm EST. Monday – Friday at **1-888-909-6757 (1-888-90WORKS)**.

TRANSPORTATION CHARGES:

Transportation charges for the movement of any power equipment unit or attachment are the responsibility of the purchaser. It is the purchaser's responsibility to pay transportation charges for any part submitted for replacement under this warranty unless such return is requested in writing by GREENWORKS.

EXPLODED VIEW



PARTS LIST

ITEM NO.	PART NO.	DESCRIPTION	QTY
1	3410879-1	Tube	1
2	3410679-9	Tube buckle	1
3	34101204-1	Switch board	1
4	31301204-1.R	Right housing	1
5	31301204-1.L	Left housing	1
6	3420311	Foam washer	4
7	3610279-2	Motor	1
8	36301204	Slide switch	1
9	3320179	Bushing	1
10	3410779	Fan	1
11	3340427	Tooth locked washer $\Phi 8$	1
12	3410127-1	Fan cap	1
13	3640179	Plug	1
14	36504161	Cap	3
15	3030311	Shrinkable tube $\Phi 4$	1
16	30302178	Wire (black)	1
17	30303178	Wire (white)	1
18	3220905	Cap screw	12



TOLL-FREE HELPLINE: 1-888-90WORKS (888.909.6757)

Rev: 02 (08-23-11)

 Printed in China on 100% Recycled Paper