



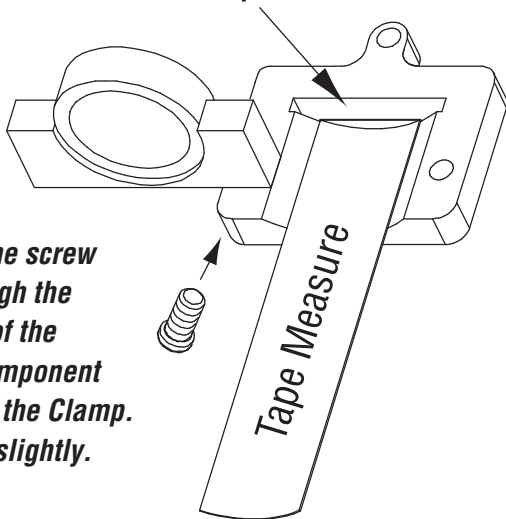
Zip★Rip Tape Measure Attachment

Assembly Instructions

STEP 1

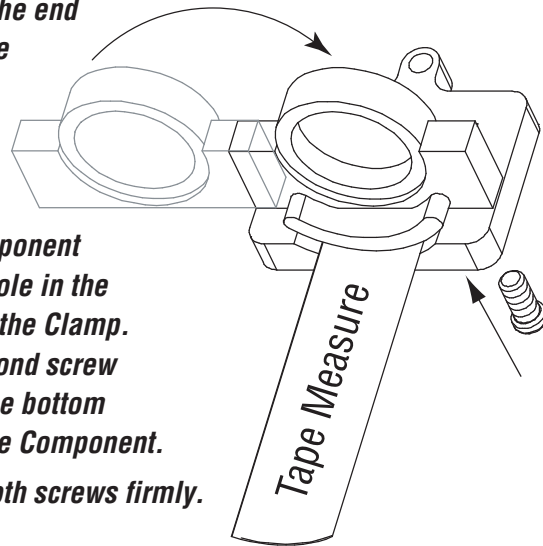
1B. Place the end of the Tape Measure into the slot of the Base Component.

1A. Insert one screw up through the bottom of the Base Component and into the Clamp. Tighten slightly.

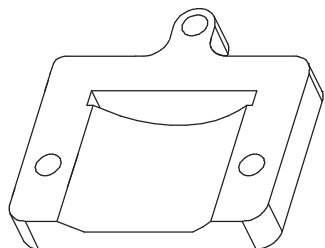


STEP 2

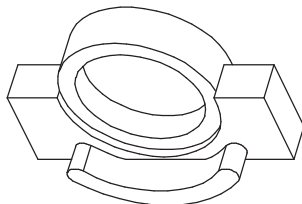
Rotate the Clamp around and over the end of the Tape Measure to align the hole in the Base Component with the hole in the bottom of the Clamp. Insert second screw through the bottom of the Base Component. Tighten both screws firmly.



Parts List



Base Component



Top Clamp



Two (2) Screws

Warranty Information

Thirty (30) day money back guarantee.