

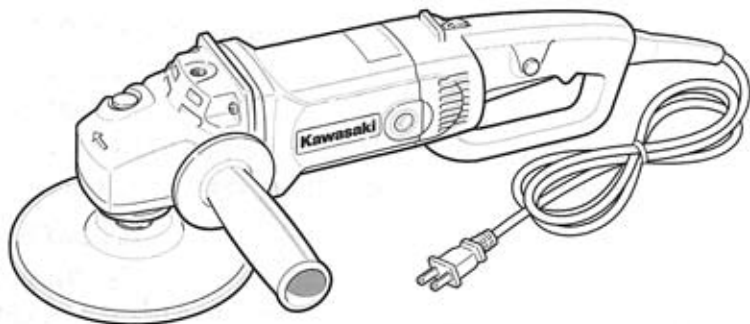
# Kawasaki

COMPONENT  
COMPOSANT  
COMPONENTE  
#691391

## **7 INCH VARIABLE SPEED SANDER / POLISHER INSTRUCTION MANUAL**

## **MANUEL D'UTILISATION POUR PONCEUSE / POLISSEUSE DE 7 PO**

## **MANUAL DE INSTRUCCIONES PARA EL LIJADORA / PULIDOR DE 7 PULGADAS**



THIS MANUAL CONTAINS IMPORTANT INFORMATION REGARDING SAFETY, OPERATION, MAINTENANCE AND STORAGE OF THIS PRODUCT. BEFORE USE, READ CAREFULLY AND UNDERSTAND ALL CAUTIONS, WARNINGS, INSTRUCTIONS AND PRODUCT LABELS. FAILURE TO DO SO COULD RESULT IN SERIOUS PERSONAL INJURY AND/OR PROPERTY DAMAGE.

CE MANUEL CONTIENT DES INFORMATIONS IMPORTANTES CONCERNANT LA SÉCURITÉ, LE FONCTIONNEMENT ET LE REMISAGE DE CE PRODUIT. LIRE, ÉTUDIER ET VEILLER À BIEN COMPRENDRE TOUTES LES MISES EN GARDE ET INSTRUCTIONS ET AUTOCOLLANTS APPOSÉS SUR LE PRODUIT AVANT DE L'UTILISER. NE PAS RESPECTER CES INSTRUCTIONS POURRAIT ENTRAÎNER DES BLESSURES ET/OU DES DOMMAGES MATÉRIELS.

ESTE MANUAL CONTIENE INFORMACIÓN IMPORTANTE SOBRE LA SEGURIDAD, OPERACIÓN, MANTENIMIENTO Y ALMACENAMIENTO DE ESTE PRODUCTO. ANTES DE USARLO, LEA Y COMPRENDA TODAS LAS PRECAUCIONES, ADVERTENCIAS, INSTRUCCIONES Y ETIQUETAS DEL PRODUCTO. DE LO CONTRARIO PODRÍA SUFRIR LESIONES GRAVES O CAUSAR DAÑOS MATERIALES.

IF YOU SHOULD HAVE ANY QUESTIONS OR EXPERIENCE A PROBLEM WITH YOUR ALLTRADE PRODUCT, DO NOT RETURN THIS PRODUCT TO THE STORE. PLEASE CALL OUR CUSTOMER SERVICE DEPARTMENT AT **1-800-590-3723**. BEFORE YOU CALL, HAVE THE FOLLOWING INFORMATION AVAILABLE: MODEL No., DATE PURCHASED AND STORE LOCATION. AN ALLTRADE REPRESENTATIVE CAN RESOLVE YOUR PROBLEM OVER THE PHONE. IF YOU WOULD LIKE TO MAKE A SUGGESTION OR COMMENT, GIVE US A CALL OR EMAIL US AT: [INFO@ALLTRADETOOLS.COM](mailto:INFO@ALLTRADETOOLS.COM). YOUR FEEDBACK IS VITAL TO US.

POUR TOUTE QUESTION OU EN CAS DE PROBLÈME AVEC LE PRODUIT ALLTRADE, NE PAS LE RETOURNER AU MAGASIN OÙ IL A ÉTÉ ACHÉTÉ. APPELER LE SERVICE APRÈS-VENTE AU **1-800-590-3723**. AVANT D'APPELER, VEILLER À SE PROCURER LES INFORMATIONS SUIVANTES : No. DE MODÈLE, DATE DE L'ACHAT ET ADRESSE DU MAGASIN. UN REPRÉSENTANT D'ALLTRADE PEUT RÉSOUDRE VOTRE PROBLÈME PAR TÉLÉPHONE. POUR TOUT COMMENTAIRE OU SUGGESTION, N'HÉSITEZ PAS À NOUS APPELER OU NOUS CONTACTER PAR COURRIEL À L'ADRESSE : [INFO@ALLTRADETOOLS.COM](mailto:INFO@ALLTRADETOOLS.COM). VOS COMMENTAIRES NOUS SONT EXTRÊMEMENT PRÉCIEUX.

SI TIENE DUDAS O SURGEN PROBLEMAS CON SU PRODUCTO ALLTRADE, NO LO DEVUELVA A LA TIENDA LLAME A NUESTRO DEPARTAMENTO DE SERVICIO AL CLIENTE AL **1-800-590-3723**. ANTES DE LLAMAR, TENGA A MANO LA SIGUIENTE INFORMACIÓN: No. DE MODELO, FECHA DE COMPRA Y DIRECCIÓN DE LA TIENDA. UN REPRESENTANTE DE ALLTRADE PUEDE RESOLVER SU PROBLEMA POR TELÉFONO. SI DESEA HACER ALGUNA SUGERENCIA O COMENTARIO, LLÁMENOS O ENVIENOS UN MENSAJE DE CORREO ELECTRÓNICO A [INFO@ALLTRADETOOLS.COM](mailto:INFO@ALLTRADETOOLS.COM). SUS COMENTARIOS SON FUNDAMENTALES PARA NOSOTROS.

## TABLE OF CONTENTS

<b>CONGRATULATIONS!</b> .....	2
<b>INTENDED USE</b> .....	2
<b>SECTION ONE</b>	
GENERAL SAFETY RULES – FOR ALL ELECTRIC POWER TOOLS .....	2
RECOGNIZE SAFETY SYMBOLS, WORDS AND LABELS .....	2-3
IMPORTANT SAFEGUARDS .....	3
WORK AREA .....	4
ELECTRICAL SAFETY .....	4
PERSONAL SAFETY .....	5
TOOL USE AND CARE .....	5-6
SERVICE .....	6
<b>SECTION TWO</b>	
SPECIFIC SAFETY RULES AND/OR SYMBOLS .....	6
IMPORTANT SAFETY RULES FOR SANDER/ POLISHERS .....	6-7
SYMBOLS .....	8
<b>SECTION THREE</b>	
FUNCTIONAL DESCRIPTION .....	9
ASSEMBLY .....	9-11
ATTACHING AUXILIARY HANDLE .....	10
ATTACHING BACKING PAD .....	10
ATTACHING POLISHING BONNET .....	11
ATTACHING SANDING DISCS .....	11
OPERATING THE SANDER/ POLISHER .....	11-14
<b>SECTION FOUR</b>	
MAINTENANCE AND CLEANING .....	15-16
ACCESSORIES .....	16
SPECIFICATIONS .....	16
OTHER CONSUMER DO-IT-YOURSELF (DIY) TOOLS .....	17
<b>SECTION FIVE</b>	
3 YEAR LIMITED WARRANTY .....	17-20

## CONGRATULATIONS!

Thanks for choosing this product. At Alltrade, our aim is to provide you with quality products at an affordable price, and we want you to be totally satisfied with your product and our Customer Service. If any help and advice is needed, please contact us at 1-800-590-3723. Properly cared for, this tool will give you many years of satisfaction.

## INTENDED USE

This tool is intended for consumer use only. This tool is not designed for professional use. The power cord should only be used in approved electrical outlets as described in this manual.

## GENERAL SAFETY RULES – FOR ALL ELECTRIC POWER TOOLS

**⚠ WARNING** READ AND UNDERSTAND ALL INSTRUCTIONS. Failure to follow all instructions listed below may result in electric shock, fire and/or serious personal injury.

## SAVE THESE INSTRUCTIONS FOR FUTURE REFERENCE.

### RECOGNIZE SAFETY SYMBOLS, WORDS AND LABELS

The safety instructions provided in this manual are not intended to cover all possible conditions and practices that may occur when operating, maintaining and cleaning power tools.

Always use common sense and pay particular attention to all the **DANGER**, **WARNING**, **CAUTION** and **NOTE** statements in this manual.



This is the safety alert symbol. It is used to alert you to potential personal injury hazards. Obey all safety messages that follow this symbol to avoid possible injury or death.

**⚠ DANGER**

**DANGER** indicates an imminently hazardous situation which, if not avoided, will result in death or serious injury.

**⚠ WARNING**

**WARNING** indicates a potentially hazardous situation which, if not avoided, could result in death or serious injury.

**⚠ CAUTION**

**CAUTION** indicates a potentially hazardous situation which, if not avoided, may result in minor or moderate injury.

**CAUTION**

**CAUTION** used without the safety alert symbol indicates a potentially hazardous situation which, if not avoided, may result in property damage.

**NOTE**

**NOTE** provides additional information that is useful for proper use and maintenance of this tool. If a **NOTE** is indicated make sure it is fully understood.

## IMPORTANT SAFEGUARDS

**⚠ DANGER**

People with electronic devices, such as pacemakers, should consult their physician(s) before using this product. Operation of electrical equipment in close proximity to a heart pacemaker could cause interference or failure of the pacemaker.

**WARNING:** Some dust created by power sanding, sawing, grinding, drilling and other construction activities contains chemicals known to the State of California to cause cancer, birth defects or other reproductive harm.

Some examples of these chemicals are:

- Lead from lead-based paints.
- Crystalline silica from bricks and cement and other masonry products, and arsenic and chromium from chemically-treated lumber.

Your risk from these exposures varies, depending on how often you do this type of work. To reduce your exposure to these chemicals: work in a well ventilated area, and work with approved safety equipment, such as dust masks that are specially designed to filter out microscopic particles.

**WARNING:** Handling the power cord on corded products may expose you to lead, a chemical known to the State of California to cause cancer and birth defects or other reproductive harm. **Wash hands after handling.**

## WORK AREA

### WARNING


**Keep your work area clean and well lit.** Cluttered work benches and dark work areas may cause accidents or injury.

**Do not operate power tools in explosive areas, such as in the presence of flammable liquids, gases or dust.** Power tools create sparks which may ignite the dust or fumes.

**Keep bystanders, children and visitors away while operating a power tool.** Distractions can cause you to lose control.

## ELECTRICAL SAFETY

### WARNING

**Double insulated tools are equipped with a polarized plug (one blade is wider than the other.) This plug will fit in a polarized outlet only one way. If the plug does not fit fully in the outlet, reverse the plug. If it still does not fit, contact a qualified electrician to install a polarized outlet. Do not change the plug in any way.** Double insulation  eliminates the need for the three wire grounded power cord and grounded power supply system.

**Avoid body contact with grounded surfaces such as pipes, radiators, ranges and refrigerators.** There is an increased risk of electric shock if your body is grounded.

**Don't expose power tools to rain or wet conditions.** Water entering a power tool will increase the risk of electric shock.

**Do not abuse the cord. Never use the cord to carry the tool or pull the plug from an outlet. Keep the cord away from heat, oil, sharp edges, or moving parts. Replace damaged cords immediately.** Damaged cords increase the risk of electric shock.

**When operating the tool outside, use an outdoor extension cord marked "W-A" or "W."** These cords are rated for outdoor use and reduce the risk of electric shock.

Make sure the extension cord being used is in good condition. If there are any cut or nicks (no matter how deep) in the insulation, DO NOT use that cord. Also, make sure the extension cord is heavy enough to carry the current needed by the sander/polisher (see ELECTRICAL REQUIREMENTS). DO NOT use small "around-the-house" lamp extension cords. These cords can easily overheat and/or catch fire when used with power tools.

## PERSONAL SAFETY

### WARNING

**Stay alert, watch what you are doing, and use common sense when operating a power tool. Do not use tool while tired or under the influence of drugs, alcohol or medication.** A moment of inattention while operating power tools may result in serious personal injury.

**Dress properly. Do not wear loose clothing or jewelry. Contain long hair. Keep your hair, clothing, and gloves away from moving parts.** Loose clothes, jewelry or long hair can be caught in moving parts.

**Avoid accidental starting. Be sure switch is off before plugging in.** Carrying tools with your finger on the switch or plugging in tools that have the switch on invites accidents.

**Remove adjusting keys or wrenches before turning the power tool "ON".** A wrench or a key that is left attached to a rotating part of the power tool may result in personal injury.

**Do not overreach. Keep proper footing and balance at all times.** Proper footing and balance enables better control of the power tool in unexpected situations.

**Use safety equipment. Always wear eye protection.** Dust mask, non-skid safety shoes, hard hat or hearing protection must be used for appropriate conditions.

## TOOL USE AND CARE

### CAUTION

**Use clamps or other practical ways to secure and support the workpiece to a stable platform.** Holding the work by hand or against your body is unstable and may lead to loss of control.

**Do not force tool. Use the correct tool for your application.** The correct tool will do the job better and safer at the rate for which it is designed.

**Do not use the tool if the power switch does not turn it "ON" or "OFF".** Any tool that cannot be controlled with the switch is dangerous and must be repaired.

**Disconnect the power cord plug from the power source before making any adjustments, changing accessories or storing the tool.** Such preventive safety measures reduce the risk of starting the tool accidentally.

**Store idle tools out of reach of children and other untrained persons.** Tools are dangerous in the hands of untrained users.

**Maintain tools with care. Keep cutting tools sharp and clean.** Properly maintained tools with a sharp cutting edge are less likely to bind and are easier to control.

**⚠ CAUTION**

Check for misalignment or binding of moving parts, breakage of parts, and any other condition that may affect the tool's operation. If damaged, have the tool serviced before using. Many accidents are caused by poorly maintained tools.

Use only accessories that are recommended by the manufacturer for your model. Accessories that may be suitable for one tool may create a risk of injury when used on another tool.

**SERVICE**

**⚠ CAUTION**

Tool service must be performed only by qualified repair personnel. Service or maintenance by unqualified personnel could result in a risk of injury.

When servicing a tool, use only identical replacement parts. Follow instructions in the Maintenance section of this manual. Use of unauthorized parts or failure to follow Maintenance Instructions may create a risk of shock or injury.

**SPECIFIC SAFETY RULES AND/OR SYMBOLS**

**⚠ WARNING**

Hold tool by insulated gripping surfaces when performing an operation where the cutting tool may contact hidden wiring or its own cord. Contact with a "live" wire will also make exposed metal parts of the tool "live" and shock the operator.

**IMPORTANT SAFETY RULES FOR SANDER/POLISHERS**

**⚠ WARNING**

Before starting sanding operations with the sander/polisher, you should become very familiar with the operation of the tool. If unsure about using the sander for various operations, obtain advice from a qualified person or contact Alltrade Customer Service.

Always secure working material before attempting to use the sander/polisher. Never hold the material with your free hand or across your legs. Small or thin material may flex or vibrate causing loss of control of the tool possibly resulting in injury.

Before turning the sander/polisher "ON," make sure the work area is free of other tools, wood scraps and other debris.

Do not use the sander/polisher for "wet" sanding. This could result in damage to the sander/polisher and/or electrical shock resulting in serious injury or even death to the operator.

**⚠ WARNING**

Inspect the work area thoroughly and remove ALL protruding nails, staples, and other foreign materials.

Turn "OFF" the sander/polisher and disconnect it from the AC power source before making any adjustments.

Keep the handle clean, dry, and free from oil and grease. When cleaning the sander/polisher, DO NOT use solvents containing carbon tetrachloride or acetone. Never use gasoline, paint thinner, or products containing ammonia. These chemicals can damage the plastic parts of the tool.

Do not force the sander/polisher. This tool will work better and safer at the speed and capacity for which it was designed. Do not force the pads into the vehicle being waxed/polished. Apply moderate pressure, allowing the bonnet to rotate freely without being forced.

Never lay the sander/polisher down until the polishing pad has come to a full stop. The backing pad can grab the surface and pull the tool out of your control.

Make sure the vehicle being waxed/polished is free from burrs and any other foreign matter which could damage the tool.

Always wear safety goggles or other approved eye protection when using this tool. Always use an appropriate dust mask or respirator during operations where dust can be generated. To reduce exposure to these chemicals always work in a well ventilated area. Use approved safety equipment and dust masks that are specially manufactured to filter out microscopic particles.

**⚠ CAUTION**

Never install a carbide tipped or steel circular saw blade for use on this Sander/Polisher. Never install a wood carving blade, carving disc with saw chain cutters or a cutting carving disc on this sander/polisher.





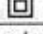
Never install abrasive cut-off discs and wheels, flap wheels, wire brushes or wire wheel brushes.

Never use accessories rated for less than 3000 RPM.

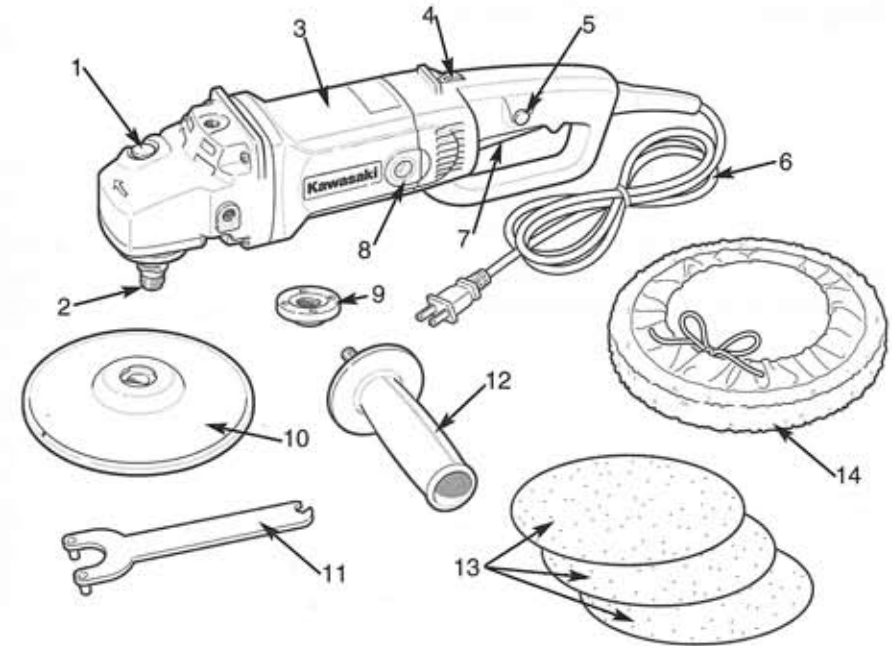


## SYMBOLS

**IMPORTANT:** Some of the following symbols may be used on your tool. Please study them and learn their meaning. Proper interpretation of these symbols will allow you to operate the tool better and safer.

SYMBOL	NAME	EXPLANATION
V	Volts	Voltage (Potential)
A	Amperes	Current
Hz	Hertz	Frequency (Cycles per Second)
W	Watt	Power
Kg	Kilograms	Weight
	Alternating Current	Type of Current
	Direct Current	Type of Current
	Alternating or Direct Current	Type of Current
	Earthing Terminal	Grounding Terminal
	Class II Construction	Denotes Double Insulation
min	Minutes	Time
s	Seconds	Time
$\phi$	Diameter	Size of Drill Bits, Grinding Wheels, etc.
$n_0$	No load speed	No-load Rotational Speed
.../min	Revolutions per Minute	Revolutions, Surface Speed, Strokes, etc. per Minute
1,2,3, ...	Ring Selector Settings	Speed, Torque or Position Settings

## FUNCTIONAL DESCRIPTION



### CONTROLS AND COMPONENTS:

1. Spindle Lock Button
2. Spindle
3. Motor Housing
4. Speed Adjustment Control
5. Lock On Switch
6. Power Cord
7. On/Off Switch
8. Brush Holder Cover
9. Locking Nut
10. Backing Pad

### ACCESSORIES:

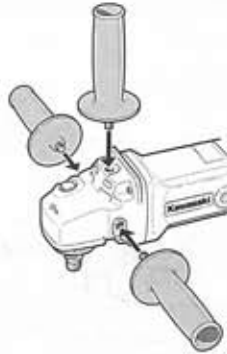
11. Pin Spanner
12. Auxiliary Handle
13. Sanding Discs (3)
14. Wool Bonnet

## ASSEMBLY

**⚠ WARNING** To avoid injury always make sure the sander/polisher is unplugged before attaching the auxiliary handle.

## ATTACHING AUXILIARY HANDLE

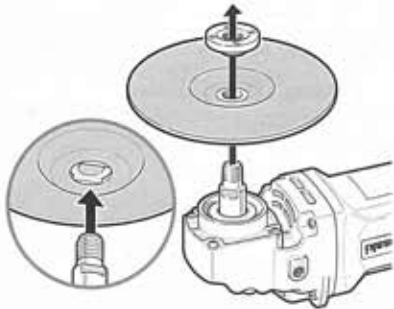
This tool comes with an auxiliary handle which can be attached to either side of the Sander/Polisher, depending on the preference of the operator. This handle is necessary to maintain complete control of the tool and should be used at all times. Make sure this handle is always fastened securely.



## ATTACHING BACKING PAD

**WARNING** Always check the tool warning label for the recommended speed rating on accessories. Never run a wheel or brush over the rated speed. Accessories exceeding the recommended speed may fly apart and cause serious personal injury.

**NOTE** Hubbed wheels do not require mounting flanges.

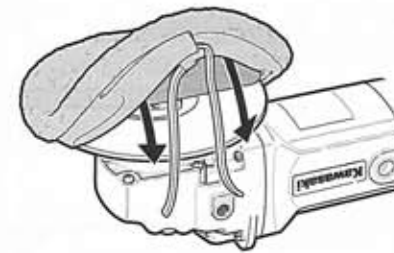
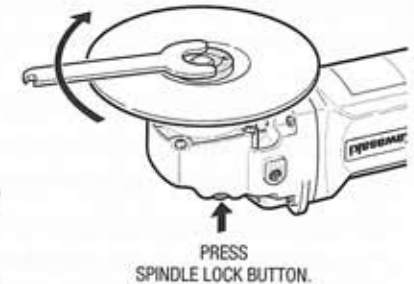


- Place the backing washer over the spindle making sure the fit is tight.
- Place the backing pad on the top of the backing washer ensuring the bore fits into the step of the flange.
- Mount the concave recess side of the locking nut over the spindle.

- Press the spindle lock firm and insure there is no movement in the spindle. Then while the spindle lock is depressed tighten the locking nut in a clockwise direction using the pin spanner.
- Allow the Sander/Polisher to run in idle for at least a minute with the backing pad correctly assembled.

## ATTACHING POLISHING BONNET

1. To install polishing bonnets unplug the tool and place it on a tool rest with the spindle upright.
2. Slide the rubber backing pad onto the spindle.
3. Push in the spindle lock button and screw the threaded outer flange clockwise onto the spindle. Securely hand tighten the threaded outer flange. Insert the enclosed wrench into the holes of the outer flange to tighten.



4. Cover the rubber backing pad with the bonnet. Securely tie bonnet strings and tuck the strings into the bonnet so they do not interfere with polishing.
5. To remove, untie and remove the bonnet. Push in the spindle lock button and turn the outer flange and rubber backing pad counterclockwise.

## ATTACHING SANDING DISCS

1. To install sanding discs, unplug the tool and place it with the rubber backing pad facing up.
2. Peel the protective paper from the sanding disc to expose the adhesive. Mount the sanding disc to the rubber backing pad.
3. To remove the sanding disc, unplug the tool and reverse procedure.

## OPERATING THE SANDER/POLISHER

This tool is for the purpose of sanding/polishing cars, boats, RVs, personal aircraft, motor cycles, hardwood floors and large furniture.

**⚠ WARNING**

**Disconnect the power plug from the AC power source before any assembly, adjustments, or adding/removing accessories.** Following this preventative step reduces the risk of the sander/polisher coming on accidentally and the risk of damage to the workpiece and injury to the operator.

**Don't let familiarity with tools make you careless.** Remember that a careless fraction of a second is sufficient to inflict serious injury.

**Always wear safety goggles or glasses with side shields when operating power tools.** Failure to do so could result in objects thrown into your eyes, resulting in possible serious injury.

**Do not use any attachments or accessories not recommended by the manufacturer of this tool.** The use of attachments or accessories not recommended can result in serious personal injury.

**NOTE**

Remove components from carton and examine contents carefully. Do not discard carton and packing until components are examined.

**PREPARING THE SURFACE:**

For best results the surface should be clean and dry. Most high-gloss surfaces can be cleaned with a mild soap and water solution. For removal of stubborn dirt such as road tar, grease and bug stains you can use a mild ammonia solution such as that used in glass cleaners. Before using any glass cleaning product, check the label for recommended applications and follow directions for use.

Never apply cleaner directly onto surface to be polished. Apply to a clean cloth, then use the cloth to clean the surface.

Do not use any type of abrasive cleanser as it may damage or scratch the surface.

**⚠ WARNING**

**To avoid injury always make sure the sander/polisher is unplugged before attaching accessories.**

**STARTING, STOPPING AND CONTROLLING SPEED:**

- When starting hold the Sander/Polisher firmly with both hands. One hand on the rear handle and the other hand on the side handle.
- The switch can be locked in the "ON" position, a convenience for long sanding/polishing operations.

- To turn the Sander/Polisher "ON" without locking it, apply pressure to the ON/OFF trigger switch. When pressure is released, the trigger switch snaps to the "OFF" position.
- To lock the switch "ON", press the trigger switch and the lock button.
- To unlock the switch, simply press the trigger switch. Switch is spring loaded and will snap back automatically.
- The speed adjustment controls the Sander/Polisher's maximum rotations per minute. The speed will remain variable to the chosen dial setting by use of the trigger switch. Dial settings range from 1 through 6. Lower numbers correspond to lower speeds and higher numbers correspond to higher speeds. Generally, lower speeds are recommended for tight work areas and higher speeds are ideal for large surface areas.
- To control the speed, set the dial at the desired number. Then press the trigger switch. Increase or decrease pressure on the trigger switch to vary the speed. To stop the tool, release the trigger.

**POLISHING:**

**⚠ WARNING**

**To reduce the risk of injury, keep the power cord away from the path of the Sander/Polisher. Otherwise, the power cord may become caught by the pad and wrap around the spindle; this may cut through the cord and expose live wires or make the gear box electrically "live".**

- Always use the side handle for proper control. Move the Sander/Polisher back and forth in long sweeping strokes. Too much pressure, the wrong angle or improper motion may cause swirl marks or burning.
- Read the directions included with your waxes, polishers and finishes for specific polishing instructions.

**PREVENTING PAINT BURNS:**

- It is easy to burn through the paint on a surface. This can occur if you polish at too high a speed or if you allow the polishing pad to stay in one spot for even a short period of time.
- To reduce the risk of burning use very light pressure and keep the Sander/Polisher moving at all times. Always slow polisher speed when working near edges or where there are abrupt changes in the contour of the work surface.



## PREVENTING SNAGGING AND KICK BACK:

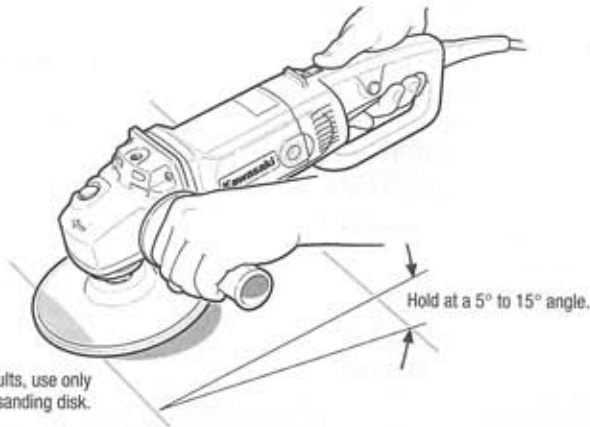
### **⚠ WARNING**

To reduce the risk of injury, follow instructions for preventing snagging. Snagging may cause the tool to kick back and the operator to suddenly lose control of the tool. Always use the side handle to maintain control.

- Snagging occurs when the polishing pad/bonnet gets caught on rough edges of a work surface. Snagging can cause the tool to suddenly “kick back” and it may cause the pad to burn through paint.
- To reduce the risk of snagging, use the Sander/Polisher at low speeds when polishing rough surfaces. For hard to reach areas such as near trim or between mirror and window on a vehicle, do not take chances with a polisher. Polish these surfaces by hand.

## SANDING:

- Use a clamp or vise to hold your work, freeing both hands to control your tool. Firmly grasp the rear handle and side handle before starting and while the tool is in operation. Allow sanding disc to come to a full speed before beginning to sand.
- Hold tool at 5° to 15° angle as shown to ensure proper sanding pressure and control. Too great an angle will result in too much pressure and could cause excessive wear to the disc and workpiece. Too small an angle will reduce control.
- Use long, sweeping, side to side strokes, advancing forward to produce the desired finish.



## MAINTENANCE AND CLEANING

### **⚠ WARNING**

When servicing, use only identical replacement parts. Use of any other parts may create a hazard or cause product damage.

**CLEANING:** To avoid accidents, be sure to disconnect the tool from the electrical power source before any cleaning or maintenance. The tool can be cleaned by using compressed dry air. If compressed air is not available, a soft natural bristle paint brush will work. Always wear safety goggles when cleaning tools with compressed air.

Always wear safety goggles or glasses with side shields during power tool operation or when blowing dust. If operation is dusty also wear a dust mask.

### **CAUTION**

Avoid using certain cleaning agents and solvents. Chemicals like gasoline, carbon tetrachloride, acetone, paint thinner or ammonia products can damage the plastic parts of the tool. Use clean clothes to remove dirt, dust, oil, grease, etc.

### **⚠ WARNING**

Do not at any time let brake fluids, gasoline, petroleum-based products, penetrating oils, etc. come into contact with plastic parts. Chemicals can damage, weaken or destroy plastic which may result in serious personal injury.

Electric tools used on fiberglass material, wallboard, spackling compounds or plaster are subject to accelerated wear and possible premature failure because the fiberglass chips and grindings are highly abrasive to bearings, brushes, commutators, etc. Consequently, we do not recommend using this tool for extended work on these types of materials. However, if you do work with any of these materials, it is extremely important to clean the tool using compressed air.

## LUBRICATION:

All the bearings in this tool are lubricated with a sufficient amount of high grade lubricant for the life of the unit under normal operating conditions. Therefore no further lubrication is required.

## POLISHING BONNETS:

The polishing bonnet is reusable. For maximum life and performance, hand wash after use and allow them to dry. If needed, the bonnets can be machine washed in cold water with a small amount of detergent and then machined dry using low heat.

### MOTOR AND INTERNAL COMPONENTS:

The motor and internal components are designed to be maintenance free. The exterior surface can be cleaned with a mild soap and damp sponge.

If you suspect a problem with the motor and other internal components, do not attempt to remove the motor housing or otherwise expose the internal components. Call 1-800-590-3723 for the authorized service dealer nearest you.

### ACCESSORIES

Use only accessories that are recommended by the manufacturer for your model. Accessories that may be suitable for one tool may become hazardous when used on another tool.

Always attach grounded (3-prong) extension cords to grounded (3-hole) outlets.

If you must use an extension cord, be sure that the gauge is large enough to carry the amount of current necessary for your power tool. If not, your tool may experience a loss of power, excessive voltage drop or overheating. The smaller the gauge number, the heavier the cord (see table on next page).

#### RECOMMENDED SIZES OF EXTENSION CORDS 120 VOLT AC 60 HZ TOOLS

TOOL CURRENT RATING	CONDUCTOR SIZE IN A.W.G				
	AMPERE	10FT.	25FT.	50FT.	100FT.
3-6		18	18	18	18
6-8		18	18	18	16
8-10		18	18	18	14
10-12		16	16	14	14
12-16		14	12	12	-
16-20		12	12	12	-

### SPECIFICATIONS

SPECIFICATIONS	
Voltage	120V ~ 60 Hz
Rated Current	11 A
No Load Orbit/Min	1000-3000 opm
Pad Diameter	7 in.

### OTHER CONSUMER DO-IT-YOURSELF (DIY) TOOLS

Alltrade offers a full range of Kawasaki™ tools that make DIY jobs easy. If you would like further information on the following products, please contact Alltrade Customer Service Department at 1-800-590-3723.

Cordless Drills/Screwdrivers	Reciprocating Saws
Impact Wrenches	Routers
Sanders	Rotary Tools
Jigsaws	Corded and Cordless Multi-Purpose Tools
Circular Saws	Wide Range of Accessories and more
Angle Grinders	

### 3 YEAR LIMITED WARRANTY

#### Express and Exclusive Limited Warranty to Original Retail Buyer

Alltrade Tools LLC (hereinafter "Alltrade") expressly warrants to the original retail purchaser of the accompanying KAWASAKI™ power tool and no one else all parts of the product (except those parts referred to below which are specifically excluded from such warranty (see Exclusions)) to be free from defects in materials and workmanship for a period of three years from original date of purchase, except that such warranty with regard to the battery shall be for a period of two years from original date of purchase, unless the tool is used for commercial or rental purposes.

**SPECIAL WARRANTY NOTE FOR COMMERCIAL OR RENTAL USE:** The above warranty for this Kawasaki™ power tool, including the battery, shall be effective for only 90 days from the original date of purchase if this tool is used for any **COMMERCIAL OR RENTAL PURPOSE.**

The date of purchase shall be the date of shipment to the original purchaser, or the date the original purchaser took possession, custody or control of the product, whichever occurred first. This warranty shall be null and void if the product or any component thereof is modified or altered. This warranty does not apply to any other product and/or component thereof manufactured or distributed by Alltrade, and does not apply to products and/or components thereof designed, manufactured and/or assembled by others, for which Alltrade makes no warranties whatsoever. **THERE ARE NO WARRANTIES WHICH EXTEND BEYOND THE DESCRIPTION ON THE FACE HEREOF.**

#### Warranty Performance

By purchasing the product, purchaser expressly acknowledges and agrees that their sole and exclusive remedy under this warranty shall be strictly limited to the repair

or replacement of any covered nonconforming items or parts thereof provided that any such nonconforming item and/or part is promptly returned to Alltrade's facility postage pre-paid and insured (address: ALLTRADE Warranty Claims & Repair, 1431 Via Plata, Long Beach, CA 90810, Attn: Customer Service #1-800-590-3723) within the applicable warranty period, with a written request by purchaser that Alltrade repair and/or replace the nonconforming item and/or part. We recommend that you keep the original product packaging in the event you need to ship the unit. We suggest the package be insured against loss or in transit damage. When sending your product include your name, address, phone number, dated proof of purchase (or copy), and a statement about the nature of problem. Warranty coverage is conditioned upon purchaser furnishing Alltrade with adequate written proof that they are the original purchaser and of the original purchase date. Parts returned, freight prepaid and insured, to Alltrade's facility (see above address) will be inspected and, at Alltrade's option, repaired and/or replaced free of charge if found to be defective and subject to warranty. Alltrade retains the sole discretion to determine whether any item or part is nonconforming and, if so, whether the item and/or part will be repaired and/or replaced. If the unit is repaired, new or reconditioned replacement parts may be used. If Alltrade chooses to replace the product, it may replace it with a new or reconditioned one of the same or comparable design. The repaired or replaced unit will be warranted under the terms of the remainder of the warranty period. Typically, a defective product that is returned within the first 30 days after the purchase date will be replaced; for items returned after the first 30 days and within the warranty period, covered defective parts not subject to normal wear and tear or other exclusions will be repaired or replaced, at Alltrade's option. During the warranty period, Alltrade will be responsible for the return shipping charges. Alltrade's repair and/or replacement of any nonconforming item and/or part thereof shall constitute fulfillment of all obligations to the purchaser. Alltrade shall not be responsible or liable for any expense, including freight charges, or repairs made outside Alltrade's facility, unless expressly agreed to by Alltrade in writing. Under no circumstances shall Alltrade bear any responsibility for loss of the unit, loss of time or rental, inconvenience, commercial loss or consequential damages.

#### **Exclusions**

This warranty does not cover parts damaged due to normal wear, abnormal conditions, misapplication, misuse, abuse, accidents, operation at other than recommended pressures or temperatures, improper storage or freight damage. Parts damaged or worn by operation in dusty environments are not warranted. Failure to follow recommended operating and maintenance procedures also voids warranty.

This limited warranty does not apply to accessory items such as drill bits, screwdriving bits, circular saw blades, jigsaw blades, grinding wheels, sanding sheets and other related items.

DAMAGE TO THE PRODUCT RESULTING FROM TAMPERING, ACCIDENT, ABUSE, NEGLIGENCE, FAILURE TO FOLLOW INSTRUCTIONS, UNAUTHORIZED REPAIRS OR ALTERATIONS, DAMAGE WHILE IN TRANSIT TO OUR SERVICE FACILITY, USE OF UNAPPROVED OR IMPROPER ATTACHMENTS OR ACCESSORIES, COMMERCIAL AND RENTAL APPLICATIONS OR OTHER CAUSES UNRELATED TO PROBLEMS WITH MATERIAL OR WORKMANSHIP ARE NOT COVERED BY THIS WARRANTY.

Alltrade will not be liable for the following: labor charges, loss or damage resulting from improper operation, maintenance or repairs made by other persons; pre-delivery services such as assembly, oil or lubricants, and adjustment; maintenance services that are normally required to maintain the product.

The use of other than genuine Alltrade Repair Parts will void warranty.

#### **Warranty Disclaimers**

EXCLUSION AND DISCLAIMER OF ALL OTHER EXPRESS WARRANTIES, GUARANTIES AND/OR REPRESENTATIONS. EXCEPT FOR THE LIMITED WARRANTY PROVIDED ABOVE, ALL OTHER EXPRESS WARRANTIES, GUARANTIES AND/OR REPRESENTATIONS BY ALLTRADE AND/OR ITS REPRESENTATIVE(S) REGARDING THE DESIGN, MANUFACTURE, PURCHASE, USE AND/OR OPERATION OF THE PRODUCT OR ANY COMPONENT THEREOF SOLD HEREUNDER, REGARDLESS OF WHETHER ANY SUCH WARRANTY, GUARANTY AND/OR REPRESENTATION, WRITTEN OR ORAL, ARISES BY OPERATION OF LAW AND/OR EQUITY AND/OR BY ANY ACT OR OMISSION OF ALLTRADE AND/OR ITS REPRESENTATIVE(S), OR THE BUYER, ARE HEREBY EXPRESSLY EXCLUDED AND DISCLAIMED BY ALLTRADE AND/OR ITS REPRESENTATIVES. PURCHASER KNOWINGLY AND WILLINGLY WAIVES ANY AND ALL SUCH WARRANTIES AND RIGHTS, CLAIMS AND/OR CAUSES OF ACTION ARISING THEREFROM OR BASED THEREON. PURCHASER'S SOLE AND EXCLUSIVE REMEDY IS AS STATED ABOVE.

EXCLUSION AND DISCLAIMER OF ALL IMPLIED WARRANTIES, INCLUDING THE IMPLIED WARRANTIES OF MERCHANTABILITY AND FITNESS FOR A PARTICULAR PURPOSE. NO WARRANTY, ORAL OR WRITTEN, OTHER THAN THE ABOVE WARRANTY IS MADE WITH REGARD TO THIS PRODUCT. ALL EXPRESS AND/OR IMPLIED WARRANTIES, GUARANTIES AND/OR REPRESENTATIONS BY ALLTRADE AND/OR ITS REPRESENTATIVE(S) REGARDING THE DESIGN, MANUFACTURE, PURCHASE, USE AND/OR OPERATION OF THE PRODUCT OR ANY COMPONENT THEREOF SOLD HEREUNDER, REGARDLESS OF WHETHER ANY SUCH WARRANTY, GUARANTY AND/OR REPRESENTATION, WRITTEN OR ORAL, ARISES BY OPERATION OF LAW AND/OR EQUITY AND/OR BY ANY ACT OR OMISSION OF ALLTRADE AND/OR ITS REPRESENTATIVE(S), OR THE PURCHASER, INCLUDING BUT NOT LIMITED TO THE IMPLIED WARRANTY OF MERCHANTABILITY AND THE WARRANTY OF FITNESS FOR A PARTICULAR PURPOSE, ARE HEREBY EXPRESSLY EXCLUDED AND DISCLAIMED BY ALLTRADE AND/OR ITS REPRESENTATIVES.



PURCHASER KNOWINGLY AND WILLINGLY WAIVES ANY AND ALL SUCH WARRANTIES AND RIGHTS, CLAIMS AND/OR CAUSES OF ACTION ARISING THEREFROM OR BASED THEREON. PURCHASER'S SOLE AND EXCLUSIVE REMEDY IS AS STATED ABOVE.

**Limitation Of Liability**

IN NO EVENT SHALL ALLTRADE AND/OR ITS REPRESENTATIVE(S) BE LIABLE FOR INDIRECT, INCIDENTAL, SPECIAL AND/OR CONSEQUENTIAL DAMAGES OF ANY KIND ARISING OUT OF OR RELATED TO, DIRECTLY OR INDIRECTLY, ANY BREACH OF ANY PROVISION OF ANY AGREEMENT BETWEEN ALLTRADE AND/OR ITS REPRESENTATIVE(S) AND PURCHASER, ANY WARRANTY HEREUNDER, AND/OR THE EXISTENCE, DESIGN, MANUFACTURE, PURCHASE, USE AND/OR OPERATION OF ANY ITEM(S) SOLD HEREUNDER EVEN IF ALLTRADE AND/OR ITS REPRESENTATIVE(S) HAS BEEN ADVISED OF THE POSSIBILITY OF ANY SUCH DAMAGES. IN NO EVENT, WHETHER AS A RESULT OF A BREACH OF CONTRACT, WARRANTY, TORT (INCLUDING NEGLIGENCE) OR OTHERWISE, SHALL ALLTRADE'S AND/OR ITS REPRESENTATIVE(S)' LIABILITY EXCEED THE PRICE OF THE PRODUCT. ANY AND ALL LIABILITY CONNECTED WITH THE USE OF THIS PRODUCT SHALL TERMINATE UPON THE EXPIRATION OF THE WARRANTY PERIODS SPECIFIED ABOVE.

**Limitations on Warranty Disclaimers**

Some states do not allow limitations on how long an implied warranty lasts and some states do not allow the exclusion or limitation of the incidental or consequential damages, so part or all of the above limitations or exclusions may not apply to you. This warranty gives you specific legal rights, and you may also have other rights which vary from state to state.

If your product is not covered by this warranty, please call our Customer Service Department toll free at 1-800-590-3723 for general repair information and charges.

**TABLE DES MATIÈRES**

**FÉLICITATIONS !** ..... 22

**USAGE PRÉVU** ..... 22

**SECTION UN**

    RÈGLES GÉNÉRALES DE SÉCURITÉ – POUR TOUS LES OUTILS .... 22

        RECONNAÎTRE LES SYMBOLES, LES MOTS ET  
        LES ÉTIQUETTES SUR LA SÉCURITÉ ..... 22-23

        IMPORTANT : ..... 23

        LIEU DE TRAVAIL ..... 24

        SÉCURITÉ ÉLECTRIQUE ..... 24

        SÉCURITÉ PERSONNELLE ..... 25

        UTILISATION ET ENTRETIEN DE L'OUTIL ..... 25-26

        DÉPANNAGE ..... 26

**SECTION DEUX**

    REGLES DE SECURITE SPECIFIQUES ET/OU AUTRES SYMBOLES ..... 26

    CONSIGNES DE SÉCURITÉ IMPORTANTES CONCERNANT  
    LES PONCEUSES / POLISSEUSES ..... 27

    SYMBOLES ..... 28

**SECTION TROIS**

    DESCRIPTION FONCTIONNELLE ..... 29

    ASSEMBLAGE ..... 30-32

        INSTALLATION DE LA POIGNÉE AUXILIAIRE ..... 30

        INSTALLATION DU PLATEAU ..... 30-31

        INSTALLATION DU BONNET DE POLISSAGE ..... 31

        INSTALLATION DU DISQUE DE PONÇAGE ..... 31-32

    FONCTIONNEMENT DE LA PONCEUSE/POLISSEUSE ..... 32-35

**SECTION QUATRE**

    ENTRETIEN ET NETTOYAGE ..... 35-36

    ACCESSOIRES ..... 36-37

    CARACTÉRISTIQUES ..... 37

    AUTRES OUTILS POUR LE BRICOLAGE ..... 38

**SECTION CINQ**

    GARANTIE LIMITÉE DE 3 ANS ..... 39-42

**FOR CUSTOMER SERVICE  
POUR LE SERVICE APRÈS VENTE  
OU DU CONSOMMATEUR**

**PARA EL SERVICIO  
PARA EL CONSUMIDOR**

**1-800-590-3723**

Printed in China  
Imprimé dans la Chine  
Impreso en China



**87-1904-60957**

KAWASAKI IS A TRADEMARK LICENSED BY KAWASAKI MOTORS CORP., U.S.A., WHICH DOES NOT MANUFACTURE OR DISTRIBUTE THIS PRODUCT. CONSUMER INQUIRES SHOULD BE DIRECTED TO:

KAWASAKI EST UNE MARQUE DE COMMERCE DE KAWASAKI MOTORS CORP., U.S.A., QUI NE FABRIQUE PAS ET NE DISTRIBUE PAS CE PRODUIT THIS PRODUCT. LES QUESTIONS DES CONSOMMATEURS DOIVENT ÊTRE ADRESSÉES À :

KAWASAKI ES UNA MARCA REGISTRADA CON LICENCIA DE KAWASAKI MOTORS CORP., E.U.A., QUE NO FABRICA NI DISTRIBUYE ESTE PRODUCTO. LAS CONSULTAS DE LOS CONSUMIDORES DEBEN DIRIGIRSE A:

©COPYRIGHT 2008 ALLTRADE TOOLS, LLC.  
1431 VIA PLATA  
LONG BEACH, CA 90810-1462 USA

691391 - 7 in. Sander/Polisher, Ponceuse/Polisseuse de 7 po,  
Lijadora/Pulidor de 7 pulgadas \_Rev 5/23/08