

WF365BTBGWR

Samsung Front-Load Washer

3.6 cu. ft. Capacity DOE

Features

- Steam Washing
- 9 Preset Wash Cycles
- 5 Options
- PureCycle™ (Tub Clean)
- VRT™ – Vibration Reduction Technology
- 1100 rpm Maximum Spin Speed
- Internal Water Heater
- Garment+

Convenience

- Child Lock
- Delay Start – Up to 19 Hours
- 4 Temperature Settings
- 4 Spin Settings
- 4 Soil Settings
- End-of-Cycle Signal
- Dispenser Trays: Main Wash, Softener, Bleach



ENERGY STAR® rated:
Rated CEE Tier 3 & Most Efficient
MEF = 3.13
WCF = 3.0
94 kWh/yr



NSF®-Sanitize



Steam Wash

Available Color



White

Signature Features

NSF®-SANITIZE

- Baby clothes and bedding are now 99.9 percent bacteria free with this certified sanitization cycle.*

* Based on NSF Protocol P172 certification. See NSF.org for more information.

STEAM WASH

- Steam Cycle uses the power of steam to remove stubborn stains without the need for pretreatment.

VRT™ TECHNOLOGY

- Special sensors keep your load balanced, so you'll hardly know your washer is on.



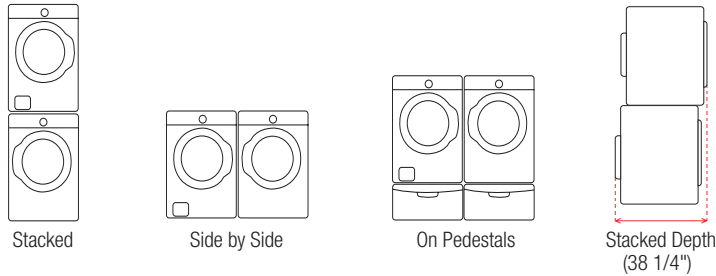
Ranked **"Highest in Customer Satisfaction with Clothes Washers"**
by J.D. Power and Associates.
(4 Consecutive Years)

SAMSUNG

WF365BTBGWR

Samsung Front-Load Washer

Installing Options



3.6 cu. ft. Capacity DOE

9 Preset Wash Cycles:

Normal, Heavy Duty, Permanent Press, Sanitize, Delicates/Hand Wash, Wool, Quick Wash, Rinse and Spin, PureCycle™

5 Options:

Steam, Delay Start – Up to 19 Hours, Signal On/Off Button, Child Lock, Garment+, PureCycle™

4 Temperature Settings:

Hot/Cold, Eco Warm/Cold, Warm/Cold, Cold/Tap Cold

4 Spin Settings:

High, Medium, Low, No Spin

4 Soil Settings:

Heavy, Normal, ▼, Light

2 Signal Level Settings:

On/Off

Dispenser Trays:

Main Wash, Softener, Bleach

Warranty

One (1) Year Parts and Labor
Two (2) Years Control Board
Three (3) Years Stainless Steel Drum
Ten (10) Years Direct Drive Motor

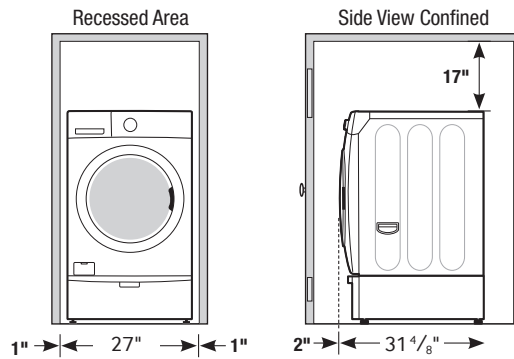
Installing Your Washer

1. Alcove or closet installation

Minimum clearances for closets and alcove:

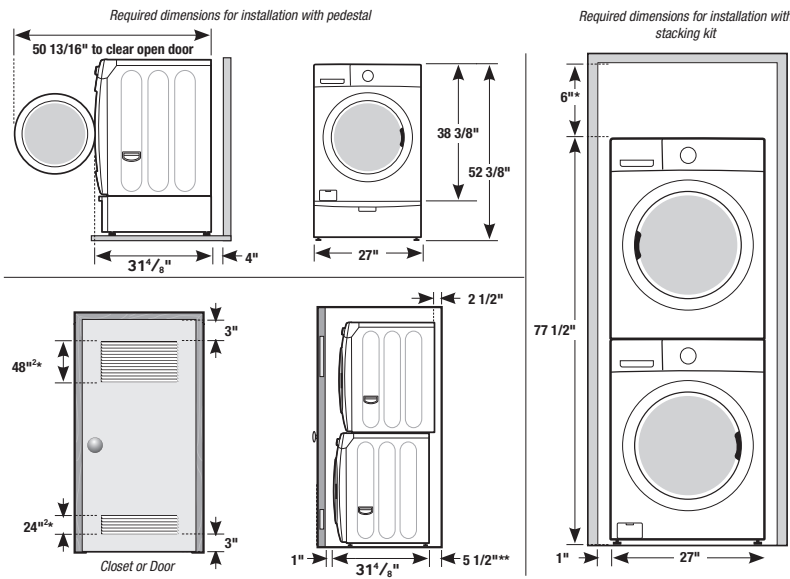
Sides - 1 in. (2.5 cm)
Top - 17 in. (43.2 cm)
Rear - 4 in. (10.2 cm)
Closet Front - 2 in. (5.1 cm)

If the washer and dryer are installed together, the closet front must have at least a 72 in.² (465 cm²) unobstructed air opening. Your washer alone does not require a specific air opening.



Dimensions

2. With optional pedestal base or stacking kit



Product Dimensions & Weight (WxHxD)

Dimensions: 27" x 38³/₈" x 31¹/₈"

Weight: 176.2 lbs

Shipping Dimensions & Weight (WxHxD)

Dimensions: 29³/₈" x 47³/₈" x 33²/₈"

Weight: 185.0 lbs

Color

White

Model #

WF365BTBGWR

UPC Code

036725590915

Matching Dryer (Electric/Gas)

White

DV365ETBGWR

036725591158

White

DV365GTBGWR

036725591240

* Required spacing

** External exhaust elbow requires additional space.

SAMSUNG

Actual color may vary. Design, specifications, and color availability are subject to change without notice. Non-metric weights and measurements are approximate. Samsung received the highest numerical score for clothes washers (2009-2012) and dryers (2008-2012) in the proprietary J.D. Power and Associates Laundry Appliance Studies. SM 2012 study based on 9,339 total responses measuring 12 brands, and measures opinions of consumers about their washer and dryer obtained new in the past 24 months. Proprietary study results are based on experiences and perceptions of consumers surveyed in January-February 2012. Your experiences may vary. Visit jdpower.com.

©2013 Samsung Electronics America, Inc. 85 Challenger Road, Ridgefield Park, NJ 07660. Tel: 800-SAMSUNG. samsung.com. Samsung is a registered trademark of Samsung Electronics Co. Ltd.