

OPERATOR'S MANUAL

QUATTRO™

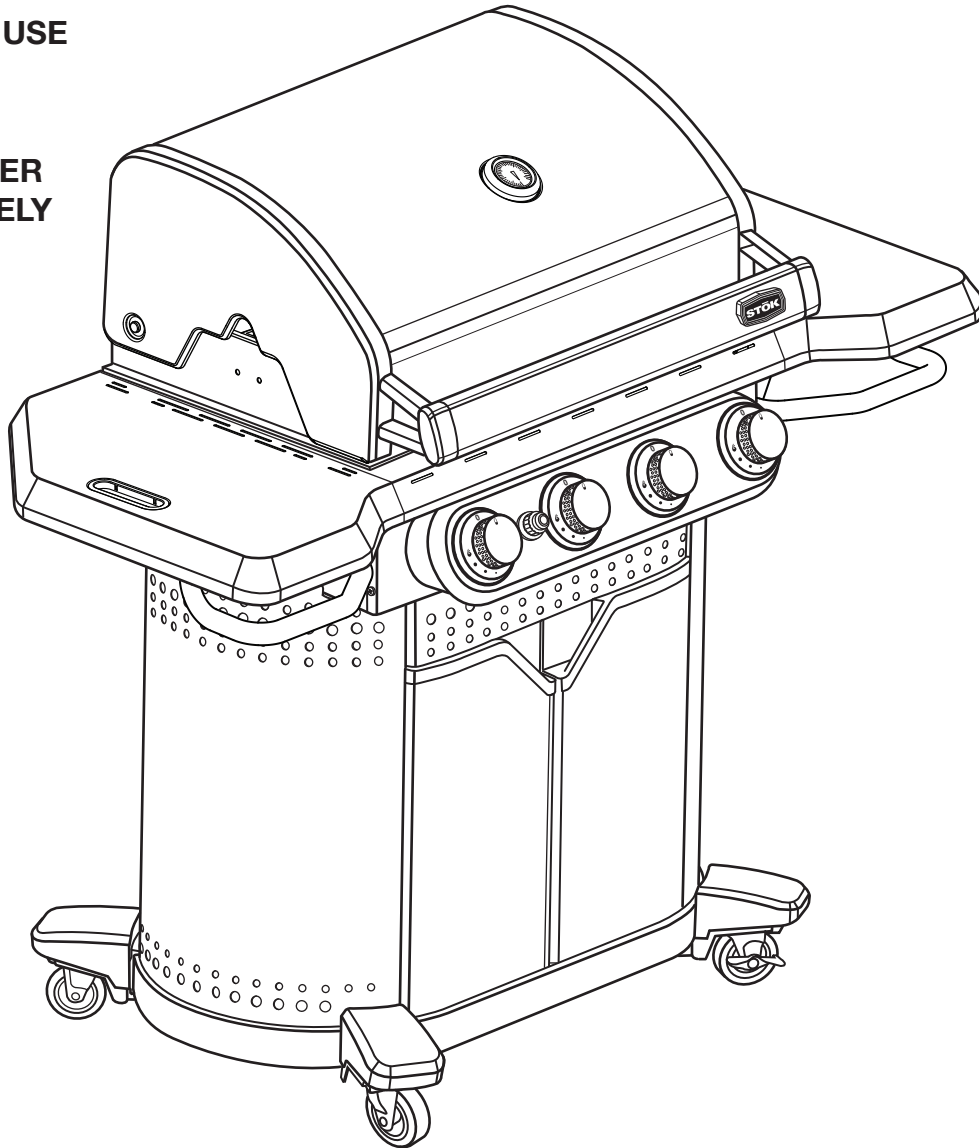
4 Burner LP Gas Grill

SGP4130N



FOR OUTDOOR USE
ONLY

LP GAS CYLINDER
SOLD SEPARATELY



Visit the STOK website at: www.stokgrills.com

⚠ DANGER:

You WILL be KILLED or SERIOUSLY HURT if you do not follow the instructions in this operator's manual.



NOTE TO INSTALLER/ASSEMBLER: Give this Operator's Manual to the consumer so the consumer may retain it for future reference.

SAVE THIS MANUAL FOR FUTURE REFERENCE

TABLE OF CONTENTS

■ Introduction	2
■ General Safety Rules	3-4
■ Specific Safety Rules.....	4
■ Symbols.....	5
■ Features.....	6-7
■ Tools Needed	7
■ Loose Parts	8-9
■ Assembly	10-18
■ Operation.....	19-22
■ Maintenance.....	23-25
■ Troubleshooting.....	26
■ Warranty	27
■ Parts Ordering/Service	Back Page

INTRODUCTION

This grill has many features for making its use more pleasant and enjoyable. Safety, performance, and dependability have been given top priority in the design of this product making it easy to maintain and operate.

DANGER:

If you smell gas:

1. Shut off gas to the appliance.
2. Extinguish any open flame.
3. Open lid.
4. If odor continues, keep away from the appliance and immediately call your gas supplier or your fire department.

WARNING:

1. Do not store or use gasoline or other flammable liquids or vapors in the vicinity of this or any other appliance.
2. An LP cylinder not connected for use shall not be stored in the vicinity of this or any other appliance.

DANGER:

Improper assembly, adjustment, alteration, service, or maintenance can cause property damage, injury, or death. Read the Assembly, Operation, and Maintenance instructions thoroughly before use, assembly, or servicing of this product.

To register your STOK
product, please visit:
<http://register.stokgrills.com>

Pour enregistrer votre
produit de STOK,
s'il vous plaît la visite:
<http://register.stokgrills.com>

Para registrar su producto
de STOK, por favor visita:
<http://register.stokgrills.com>

GENERAL SAFETY RULES

WARNING:

Read and understand all instructions. Failure to follow all instructions listed below, may result in electric shock, fire and/or serious personal injury.

READ ALL INSTRUCTIONS

- This appliance must be installed in accordance with the latest local codes. In the absence of local codes, use the:
 - United States:
 - National Fuel Gas Code, ANSI Z223.1/NFPA 54
 - LP gas Code, NFPA 58
 - Canada:
 - Natural Gas and Propane Installation Code, CSA B149.1
 - Propane Storage and Handling Code, CSA B149.2.
- If an accessory is used on the grill that requires an external electrical power source, the accessory when installed must be electrically grounded in accordance with local codes. In the absence of local codes, use the:
 - United States: National Electrical Code, ANSI/NFPA 70
 - Canada: Canadian Electrical Code, CSA C22.1
- This appliance is for outdoor use only, and shall not be used in a building, garage, shed, balcony, or any other enclosed area.
- Do not use or install this appliance in or on boats or recreational vehicles.
- This grill must be located away from combustible surfaces by no less than 36 inches (914 mm) from back of grill and 36 inches (914 mm) from sides of this grill.
- The grill shall not be used under overhead combustible construction.

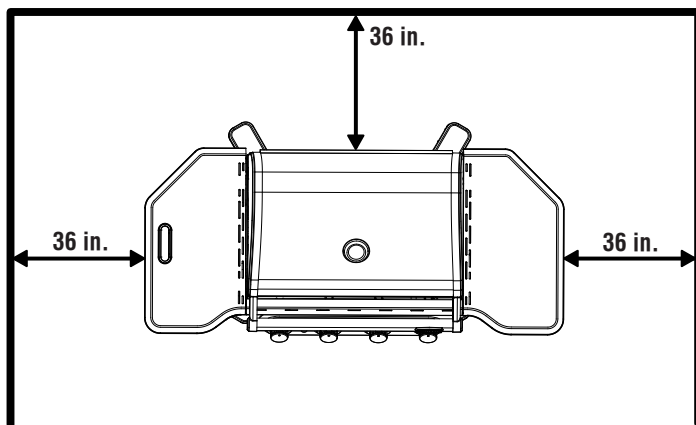


Fig. 1

- Keep area around this appliance free of combustible materials, gasoline, and all other flammable vapors and liquids.
- Do not restrict the flow of combustion and ventilation air.
- Keep ventilation openings of the cylinder enclosure free and clear from debris.
- This grill is not intended for commercial use.
- Never move grill when using or still hot.
- Never use the grill indoors. Toxic fumes can accumulate.
- Always turn off gas at the LP gas cylinder (liquid propane also called liquid petroleum gas) when the appliance is not in use. Disconnect the cylinder before storage.
- Do not alter the grill in any manner.
- Do not use this appliance unless it is fully and properly assembled and all parts are securely fastened.
- Never attempt to light burner with the lid closed. A build up of non-ignited gas inside a closed grill is hazardous.
- Open the cabinet door and inspect the hose for damage before each use. If it is evident there is excessive abrasion or wear, or the hose is cut, it must be replaced prior to the grill being put into operation. The replacement hose assembly shall be that specified by the manufacturer.
- When in use, keep children and pets away at all times.
- Do not leave the grill unattended.
- Do not use charcoal, ceramic briquettes, or lava rock in a gas grill.
- In the event of a grease fire, turn off the burner. Do not attempt to extinguish with water. Use type BC dry chemical fire extinguisher or smother with dirt, sand, or baking soda.
- Keep any electrical cord and fuel supply hose away from any heated surfaces.
- Do not store a spare LP gas cylinder under or near the grill. If not followed exactly, a fire causing death or serious injury may occur.
- Never fill the LP gas cylinder beyond 80 percent full. An overfilled or improperly stored cylinder is a hazard due to possible gas release from the safety release valve. If not followed exactly, a fire causing death or serious injury may occur.
- Only use an LP gas cylinder that includes a collar to protect the cylinder valve.
- If a leak is detected at any time, get away from the LP gas cylinder and call the fire department.

GENERAL SAFETY RULES

- This grill is not intended to be used on a boat, in an RV, camper trailer, or motor home.
- Do not use the grill until leak-tested.
- Periodically check and/or clean the burner/venturi tubes for insects and insect nests. A clogged tube can lead to a fire beneath the grill.
- LP gas cylinders must be stored outdoors out of reach of children and must not be stored in a building, garage, or any other closed in area.
- Do not operate the grill while under the influence of drugs, alcohol, or any medication.
- Stay alert and exercise control. Watch what you are doing and use common sense. Do not operate a grill when you are tired.

SPECIFIC SAFETY RULES

- Use grill only with LP gas and the regulator/valve assembly supplied.
- Check for leaks prior to grilling operations. Do this even if this grill was assembled at the store.
- Do not operate the grill if there is a gas leak present.
- Never use a flame to check for gas leaks.
- Should the burner go out while grilling, turn off the gas valve. Open the lid and wait five minutes before attempting to relight.
- Never lean over an open grill or place hands or fingers on hot surfaces.
- Thoroughly clean the grill regularly.
- Do not block the ventilation holes in the sides or back of the grill.
- Never attempt to use the appliance or any components that have been damaged or exposed to an accidental fire.
- Propane gas is not natural gas. This grill is manufactured for propane gas unless an approved conversion kit is installed. A conversion kit (SGA7000) is sold separately and is required to convert this to natural gas.
- Place dust cap on cylinder valve outlet whenever the cylinder is not in use. Only install the type of dust cap on the cylinder valve outlet that is provided with the cylinder valve. Other types of caps or plugs may result in leakage of propane.
- Do not store or use gasoline or other flammable liquids or vapors in the vicinity of the grill.
- Use heat-resistant mitts or gloves, and long-handled utensils when operating this grill.
- Apartment Dwellers: Check with management to learn requirements and fire codes of using a LP gas grill in your apartment complex.
- Save these instructions. Refer to them frequently and use them to instruct others who may use this grill. If you loan someone this grill, loan them these instructions also.

CALIFORNIA PROPOSITION 65

WARNING:

1. Combustion by-products produced when using this product contains chemicals known to State of California to cause cancer, birth defects, and other reproductive harm. To reduce the risk of exposure to these substances, always use the grill in a well ventilated area.




2. This product contains chemicals, including lead and lead compounds, known to the State of California to cause cancer, birth defects, or other reproductive harm. **Wash your hands after handling this product.**

To minimize exposure to these substances, always operate this unit according to the use and care manual, ensuring you provide adequate ventilation when cooking with gas.




In Massachusetts: All gas products must be installed using a Massachusetts-licensed plumber or gasfitter. A "T" handle type manual gas valve must be installed in the gas supply line to this appliance. This applies to permanently installed natural gas and propane installations. This does not apply to propane portable installations using a 20-lb tank.

SYMBOLS

The following signal words and meanings are intended to explain the levels of risk associated with this product.

SYMBOL	SIGNAL	MEANING
	DANGER:	Indicates an imminently hazardous situation, which, if not avoided, will result in death or serious injury.
	WARNING:	Indicates a potentially hazardous situation, which, if not avoided, could result in death or serious injury.
	CAUTION:	Indicates a potentially hazardous situation, which, if not avoided, may result in minor or moderate injury.
	NOTICE:	(Without Safety Alert Symbol) Indicates important information not related to an injury hazard, such as a situation that may result in property damage.

Some of the following symbols may be used on this product. Please study them and learn their meaning. Proper interpretation of these symbols will allow you to operate the product better and safer.

SYMBOL	NAME	DESIGNATION/EXPLANATION
	Safety Alert	Indicates a potential personal injury hazard.
	Read Operator's Manual	To reduce the risk of injury, user must read and understand operator's manual before using this product.
	Hot Surface	To reduce the risk of injury or damage, avoid contact with any hot surface.

FEATURES

PRODUCT SPECIFICATIONS

BTU rating	48,000	Grilling surface height.....	34.5 in.
Primary grilling surface.....	450 sq. in. (25.75 in. x 17.5 in.)	Fuel source.....	Propane (not included)
Warming rack	150 sq. in. (24.5 in. x 6 in.)	Natural gas convertible ...	Yes (SGA7000 kit sold separately)
Total grill surface	600 sq. in.		

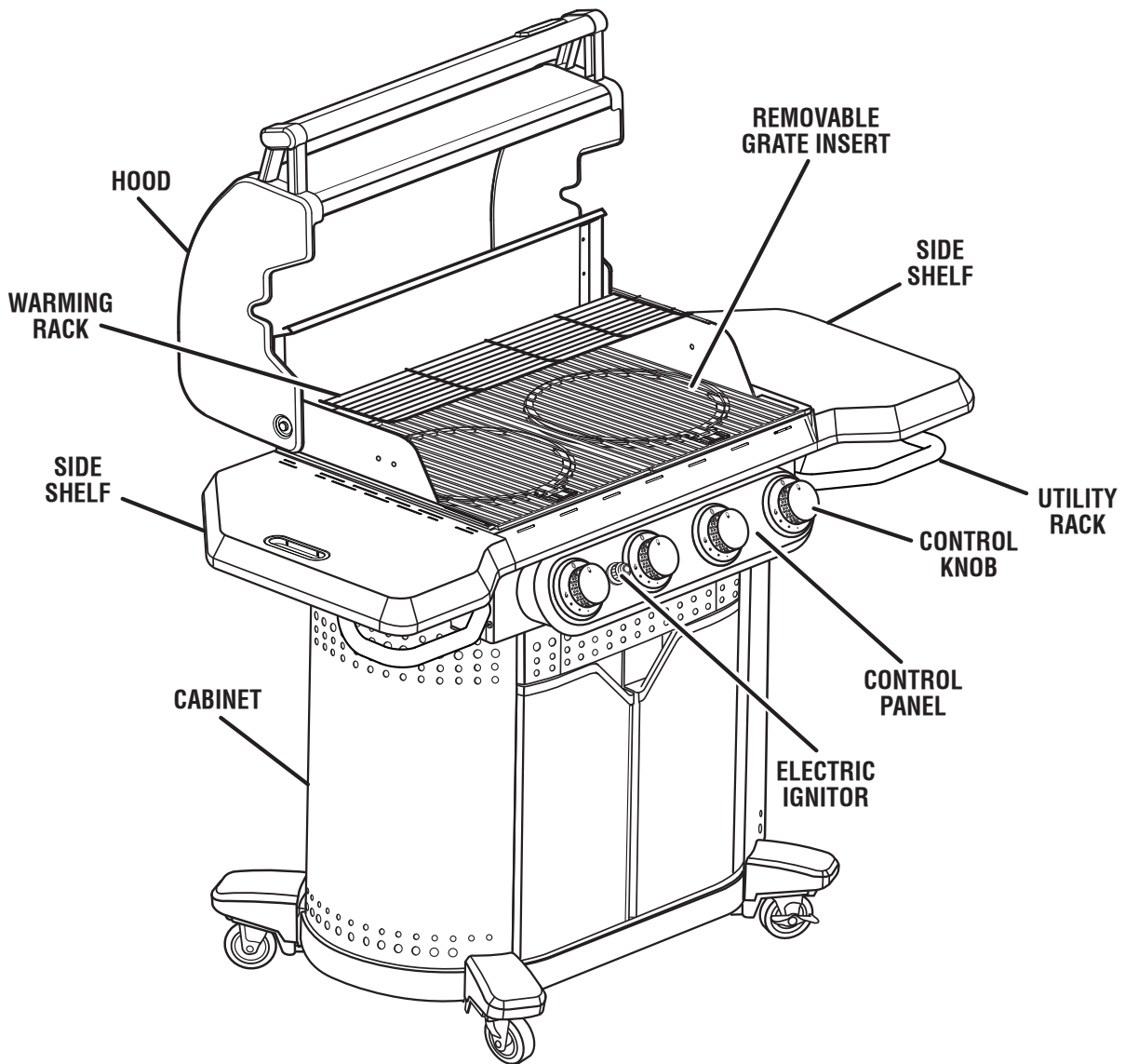


Fig. 2

FEATURES

KNOW YOUR GRILL

See Figure 2.

The safe use of this grill requires an understanding of the information on the grill and in this operator's manual. Before use of this grill, familiarize yourself with all operating features and safety rules.

CABINET - The two-door steel cabinet rolls easily from the place-to-place. The cabinet base has a cut-out to support the LP gas cylinder.

ELECTRIC IGNITOR - The electric ignitor uses a AA battery that lights the gas burners when pushed.

FRONT CONTROL PANEL - Control heat levels from the front of the grill using the control knobs.

INSERT REMOVAL TOOL - Allows you to easily place and remove a variety of STOK cooking inserts.

INSERT STORAGE - Insert storage inside the cabinet stores the pizza stone and can be adjusted to hold other inserts.

PIZZA STONE - Make brick oven quality pizza using the grill and the porous ceramic pizza stone. The pizza stone absorbs heat to promote even cooking. The stone will discolor with use but will not affect performance.

REMOVABLE GRATE INSERTS - Remove one or both of the round porcelain-coated, cast-iron grate inserts when using the pizza stone or other inserts (sold separately).

SIDE SHELVES - Side shelves provide flat surfaces for your convenience.

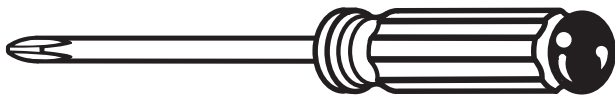
SPICE RACK - Keep spices close at hand by storing them in the convenient adjustable spice rack attached to the inside of the cabinet door.

TEMPERATURE GAUGE - The temperature gauge in the hood measures the air temperature inside the grill. The air temperature is never as hot as the cooking surface temperature.

WARMING RACK - Located inside the hood, the warming rack keeps cooked food warm until serving time.

TOOLS NEEDED

The following tools (not included or drawn to scale) are needed for assembly and making adjustments:



PHILLIPS
SCREWDRIVER



ADJUSTABLE WRENCH

Fig. 3

LOOSE PARTS

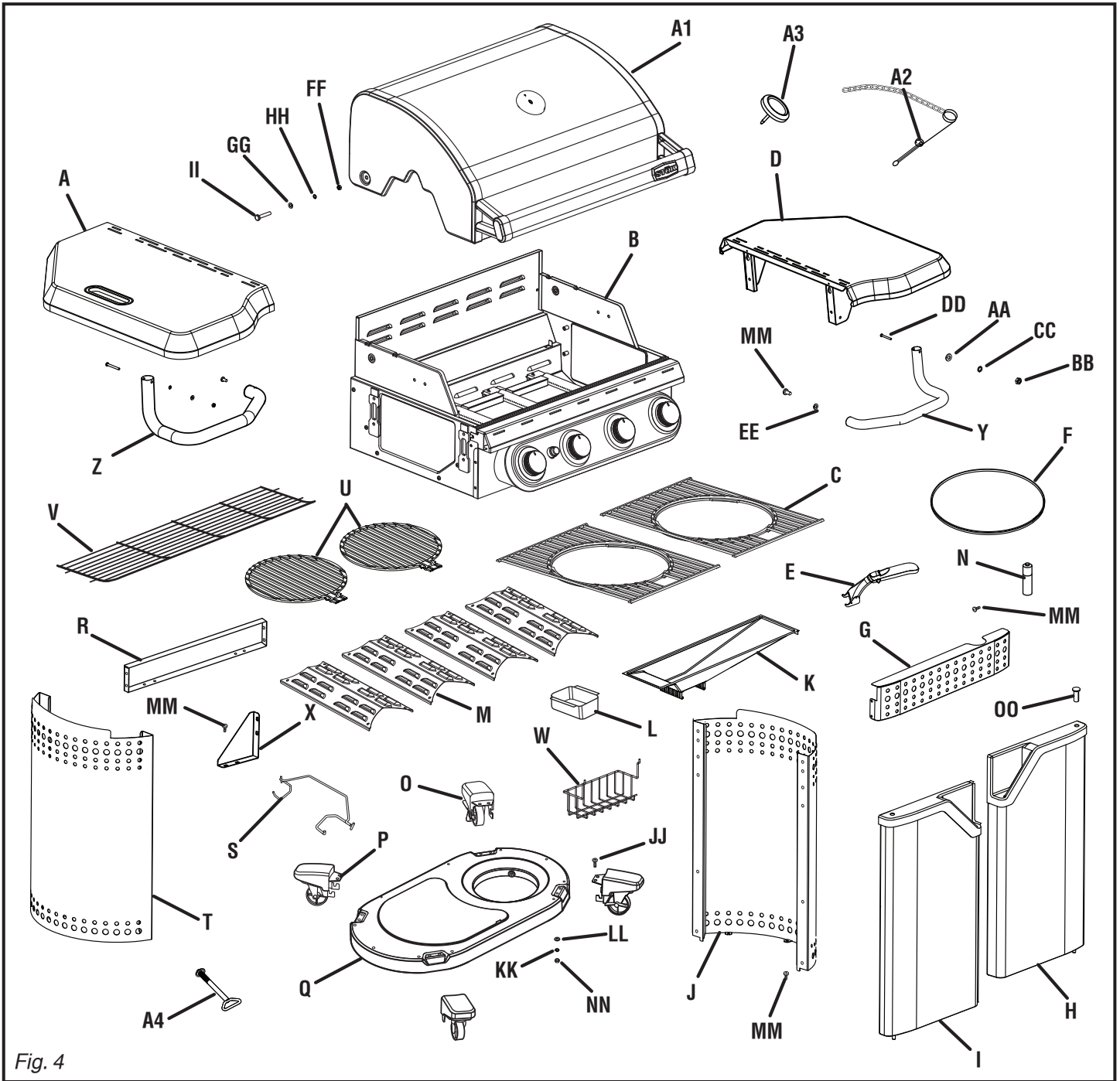


Fig. 4

LOOSE PARTS

Description	Qty.	Description	Qty.
A - Side shelf (left).....	1	HARDWARE BLISTER PACK	
B - Firebox assembly	1	AA - Lock washer, M4	2
C - Grate	2	BB - Hex nut, M4	2
D - Side shelf (right)	1	CC - Washer, M4.....	2
E - Insert removal tool.....	1	DD - Bolt, M4 x 40 mm	2
F - Pizza stone.....	1	EE - Flat washer SS.....	1
G - Front panel	1	FF - Hood nut, M6.....	2
H - Door (right)	1	GG - Washer M6.....	2
I - Door (left).....	1	HH - Lock washer, M6	2
J - Side panel (right)	1	II - Hood bolt, M6.....	2
K - Grease tray.....	1	JJ - Bolt, M6 x 15	8
L - Grease cup.....	1	KK - Lock washer	8
M - Heat tent.....	4	LL - Washer, M6.....	8
N - AA Battery	1	MM - Bolt, M5 x 12 mm	36
O - Locking caster assembly (right side of base).....	2	NN - Hex nut, M6	8
P - Caster assembly (left side of base).....	2	OO - Pin.....	2
Q - Bottom panel.....	1		
R - Rear panel	1		
S - Insert storage bracket	1		
T - Side panel (left).....	1		
U - Removable grate insert	2		
V - Warming rack	1		
W - Spice rack	1		
X - Brace.....	4		
Y - Utility bar (right).....	1		
Z - Utility bar (left)	1		
A1- Hood assembly	1		
A2- Match stick lighter.....	1		
A3- Temperature gauge assembly	1		
A4 - Cylinder retention bolt/washer/screw.....	1		

ASSEMBLY

UNPACKING

This product requires assembly.

- Carefully lift grill from the carton and place it on a level work surface.

NOTE: This grill is heavy. To avoid back injury, keep your knees bent and lift with your legs, not your back, and get help when needed.

! WARNING:

Do not use this product if any parts on the Loose Parts List are already assembled to your product when you unpack it. Parts on this list are not assembled to the product by the manufacturer and require customer installation. Use of a product that may have been improperly assembled could result in serious personal injury.

- Inspect the grill carefully to make sure no breakage or damage occurred during shipping.

- Do not discard the packing material until you have carefully inspected the grill, identified all loose parts, and satisfactorily operated the grill.

NOTE: Some loose parts are located inside the grill assembly beneath the hood.

- If any parts are damaged or missing, please call 1-800-847-5993 for assistance.

! WARNING:

If any parts are damaged or missing, do not operate this grill until the parts are replaced. Use of this product with damaged or missing parts could result in serious personal injury.

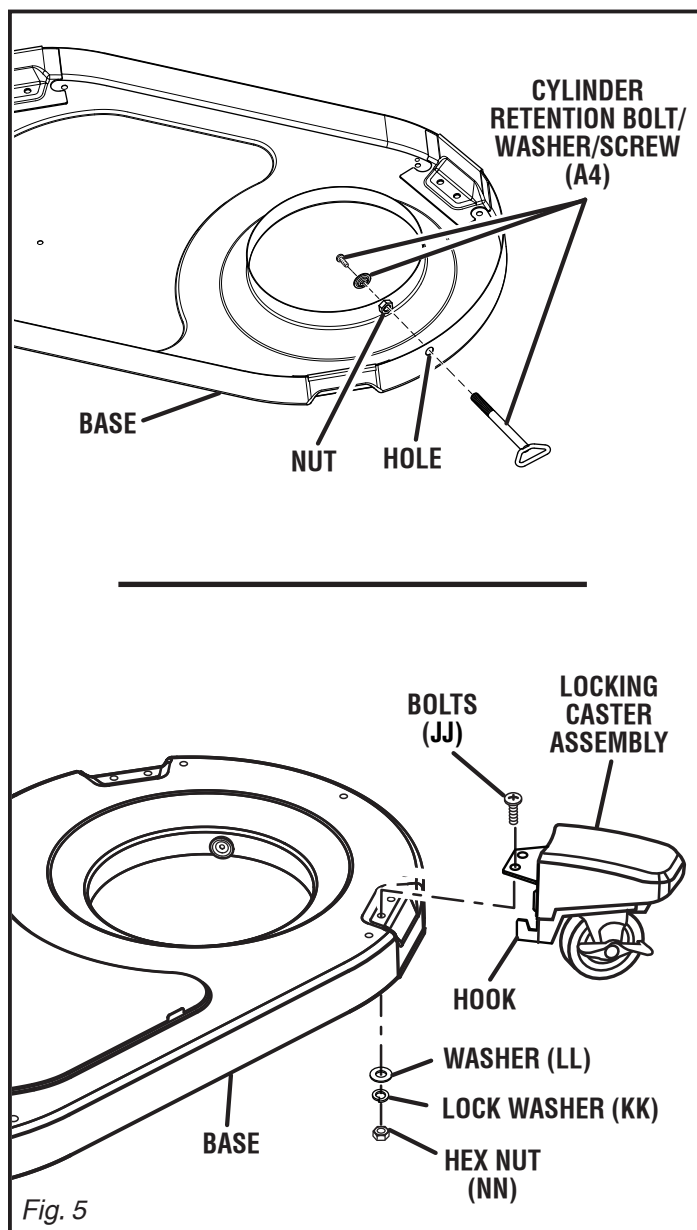
! CAUTION:

Some parts may contain sharp edges that may cause personal injury. Wear protective gloves if necessary.

STEP 1: INSTALLING THE CYLINDER RETENTION BOLT AND CASTER ASSEMBLY

See Figure 5.

- Use a Phillips screwdriver to remove the screw at the end of the cylinder retention bolt. Remove the washer.
- Insert the bolt through the hole and screw it into the nut attached to the base. Turn the bolt clockwise until the end comes through the nut.
- Reinstall the washer and the screw onto the bolt and securely tighten the screw.



The right side of the base has a circular cut-out where the LP gas tank will be placed. The two locking caster assemblies should be installed on the right side of the base.

- Tilt the caster assembly so the hook on the underside of the caster can be placed under the base.
- Keeping the hook under the base, tilt the back of the caster assembly until the holes in the caster assembly align with the holes in the base.
- Slide bolts (2), M6 x 15 mm (JJ), through the tab on the rear of the caster assembly and into the base.
- Using washers (LL), lock washers (KK), and hex nuts, M6 (NN), tighten caster assembly securely to the base.
- Repeat for the other three caster assemblies.
- Set the base on a flat surface.

ASSEMBLY

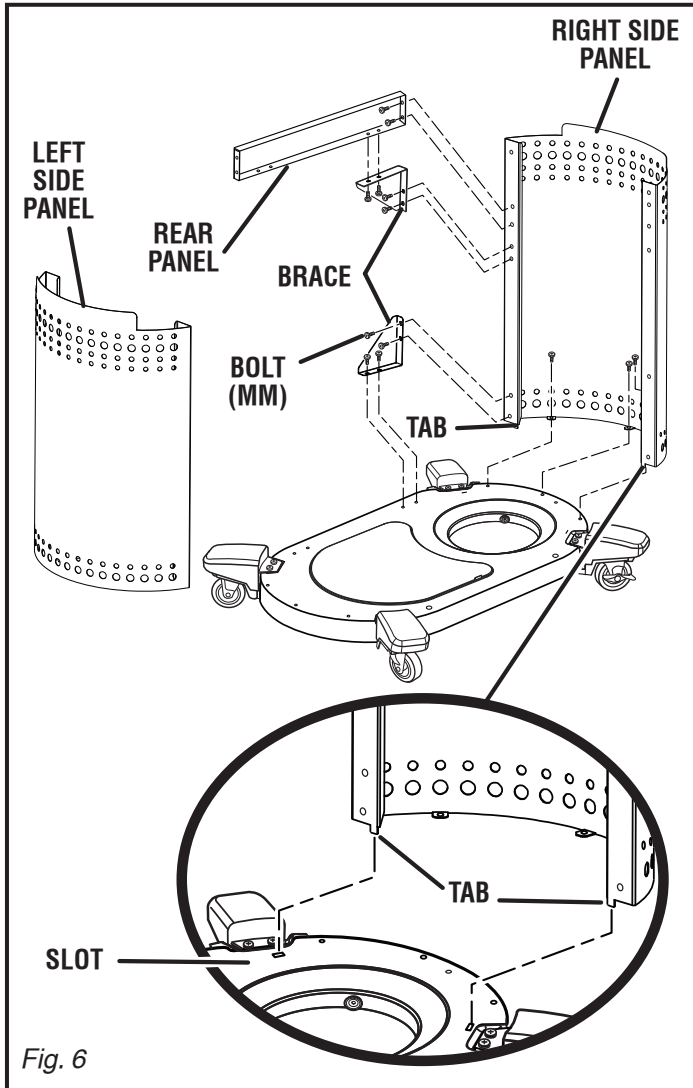


Fig. 6

STEP 2: ASSEMBLING SIDE PANELS TO THE BASE

See Figure 6.

- Slide the tabs into the slots then sit the panel on the base aligning the holes in the tabs at the bottom of the right side panel with holes on the left side of the base.
- Slide bolts, M5 x 12 mm (MM) three per side, through both the tab and into the base. Tighten securely.
- Repeat above steps to install the left side panel.

STEP 3: ASSEMBLING BRACES AND REAR PANEL

See Figures 6 - 7.

Installing the rear panel:

- Place bolts, M5 x 12 mm (MM), through the side of the rear panel and into the side panel. Tighten securely. Repeat for the other side.

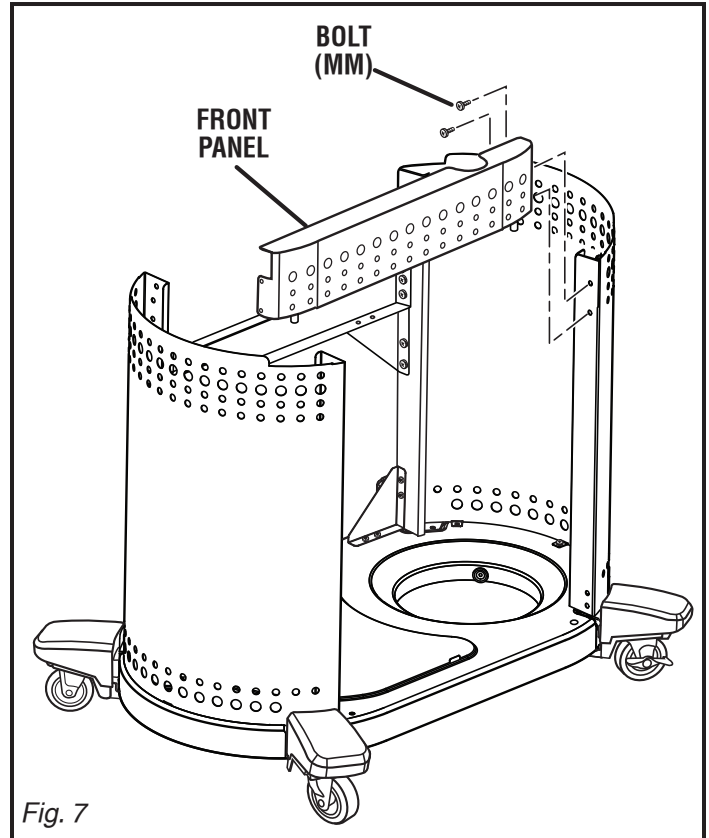


Fig. 7

Installing the braces:

- Secure two braces to the base and side panels using M5 x 12 mm bolts (MM). Tighten securely.
- Secure the remaining two braces to the side and rear panels using M5 x 12 mm bolts (MM). Tighten securely.

Installing the front panel:

- From the front of the base, align the holes in the front panel with the holes at the top of the side panels.
- Secure the front panel to the side panels using four bolts, M5 x 12 mm (MM).

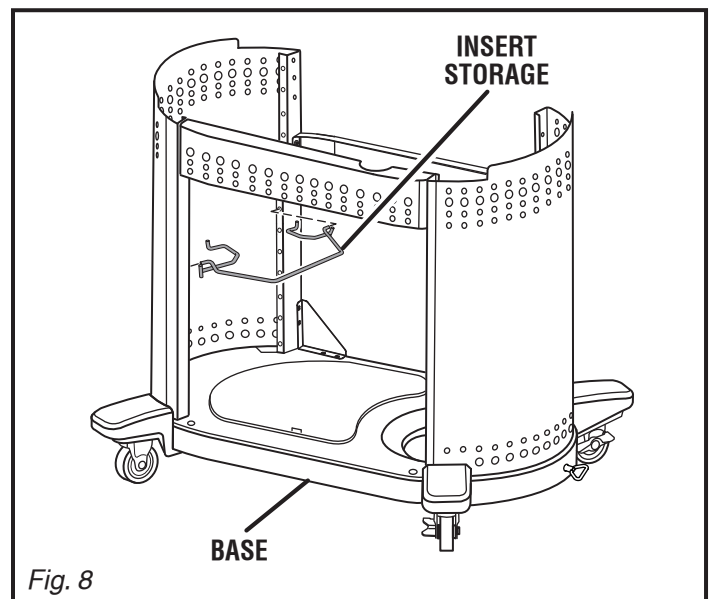


Fig. 8

ASSEMBLY

STEP 4: ATTACHING INSERT STORAGE TO BASE

See Figure 8.

- Insert the wire frame for insert storage into the holes inside the cabinet.
- Add additional storage brackets as needed.

STEP 5: MOUNTING THE FIREBOX TO THE CABINET

See Figure 9.

NOTE: This step requires two people to lift and correctly position the grill assembly on the cabinet.

- Lower the firebox assembly onto the cabinet, aligning the holes in the firebox with the holes in the cabinet.

NOTE: Regulator hose should be hanging down inside the cabinet; be careful not to damage.

- Using four bolts, M5 x 12 mm (MM) one in each corner, secure the firebox assembly to the cabinet.

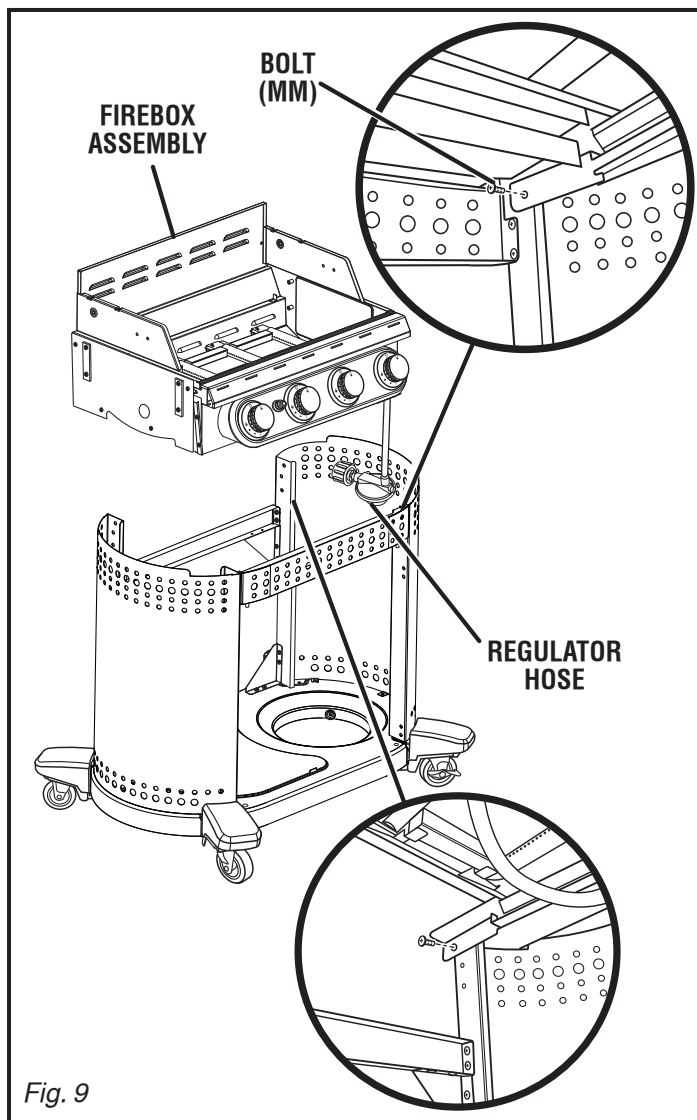


Fig. 9

STEP 6: INSTALLING THE HOOD ONTO THE FIREBOX

See Figure 10.

- To install the temperature gauge, remove the hex nut, lock washer and washer.
- Insert the large threaded post through the large hole in the hood and insert the small post into the small hole in the hood.
- Install the washer, lock washer, and hex nut onto the post. Securely tighten.

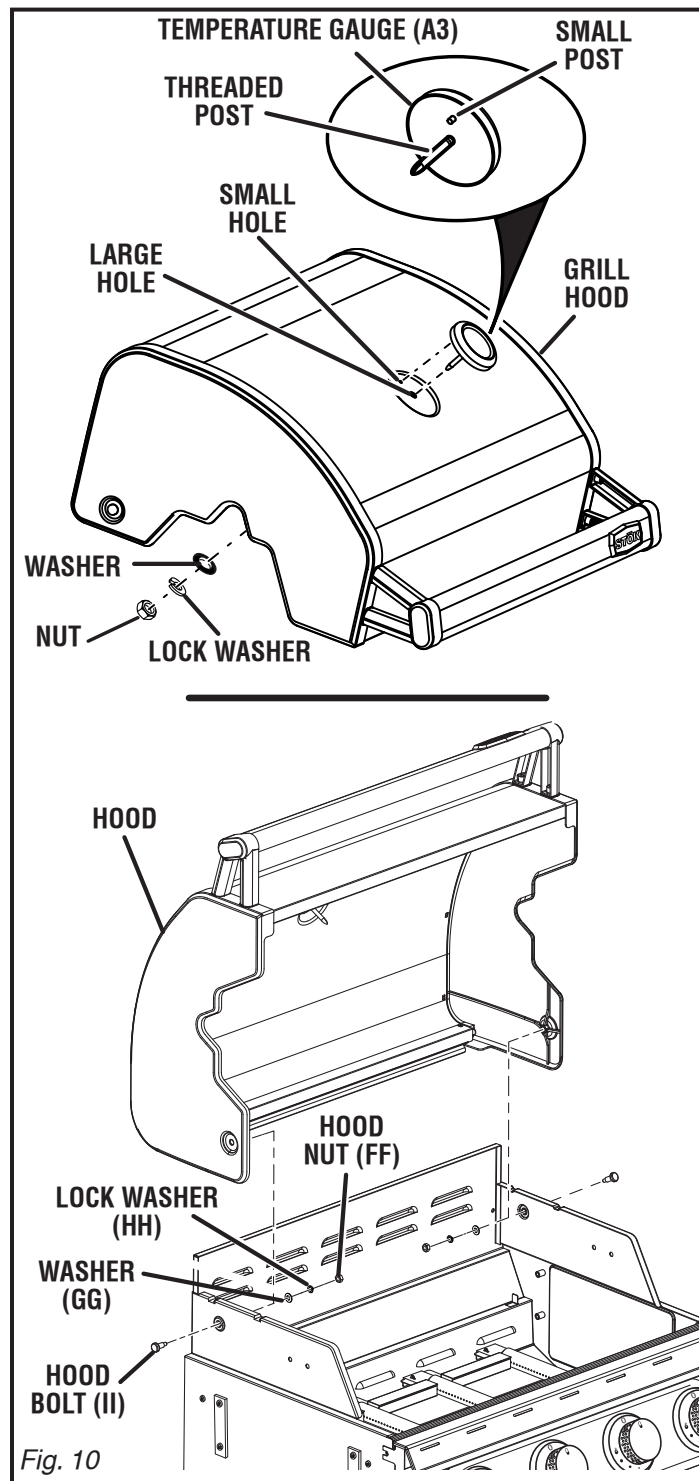


Fig. 10

ASSEMBLY

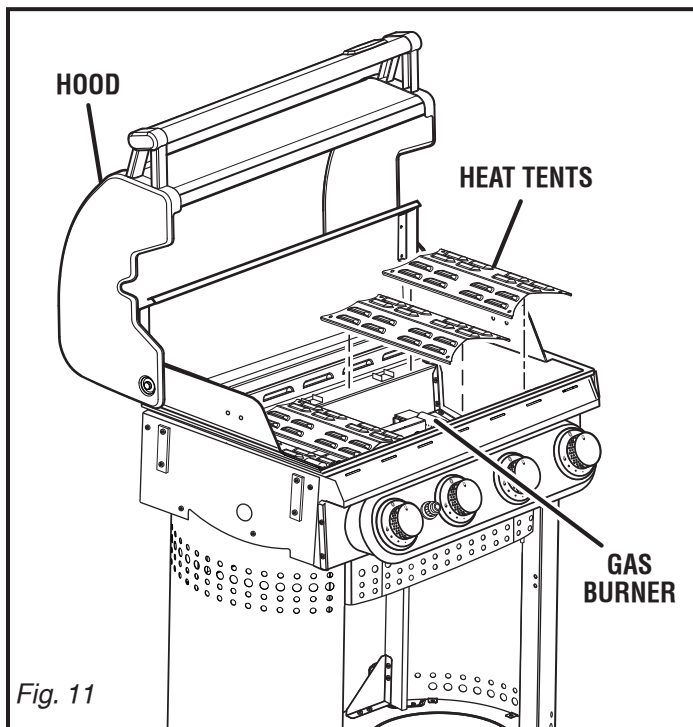
- Align the holes in the hood with the holes in the firebox.
- Insert the hood bolt (II) through the hole in the hood and into the hole in the firebox.
- Slide the washer (GG) and lock washer (HH) onto the hood bolt.
- Securely tighten the hood nuts (FF).

STEP 7: INSTALLING HEAT TENTS

See Figure 11.

Heat tents work to evenly distribute heat inside the grill. Do not grill without the heat tents installed.

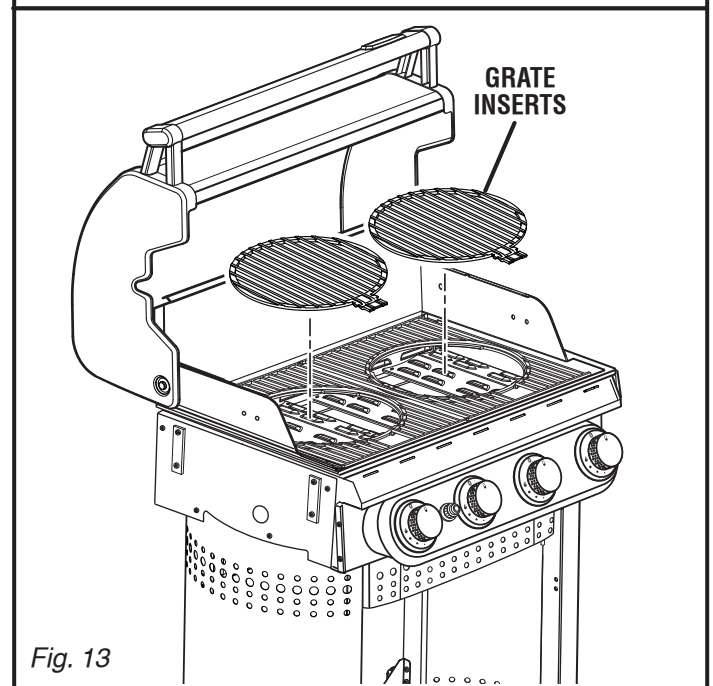
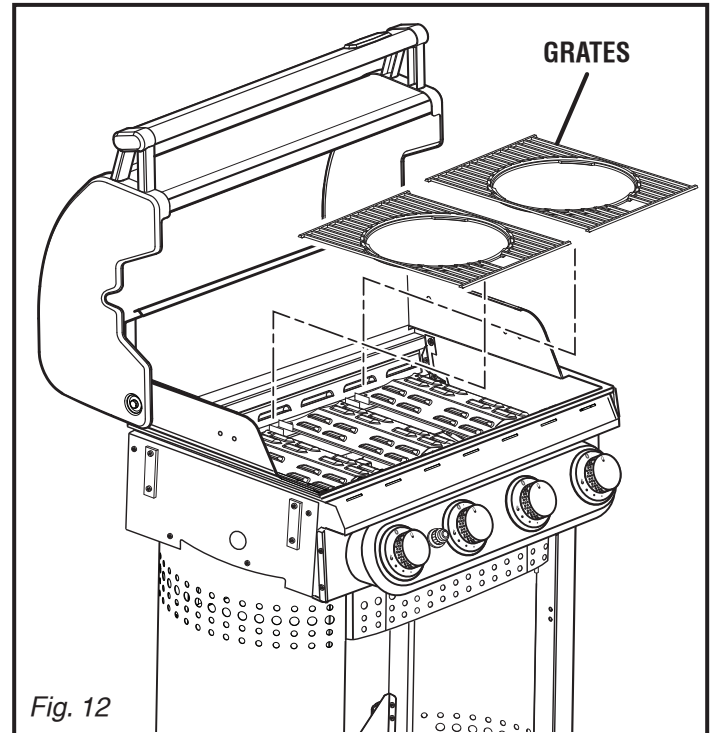
- Fully raise the hood.
- Carefully place the heat tents over the gas burners.



STEP 8: INSTALLING GRATES AND GRATE INSERTS

See Figures 12 - 13.

- Fully raise the hood.
- Carefully lay grates inside the grill assembly.
- Set a round grate insert in the hole of each of the grates.

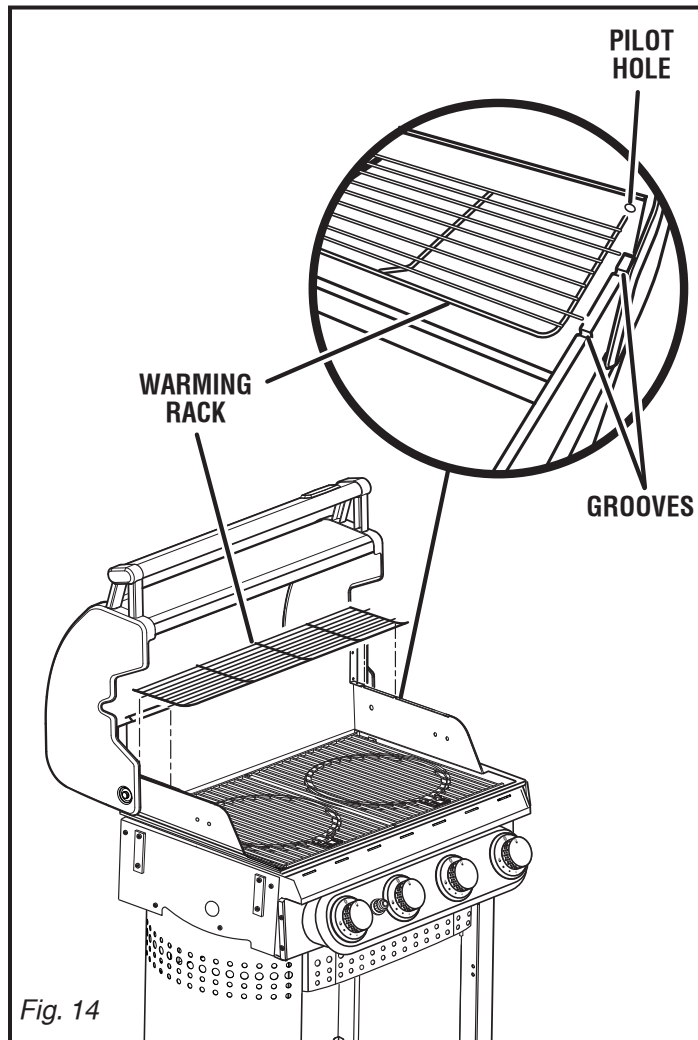


ASSEMBLY

STEP 9: INSTALLING THE WARMING RACK

See Figure 14.

- Fully raise the hood.
- Lay the warming rack in the grooves on each side of the hood and lock it into the rear pilot holes as shown.



STEP 10: INSTALLING SIDE SHELVES

See Figures 15 - 16.

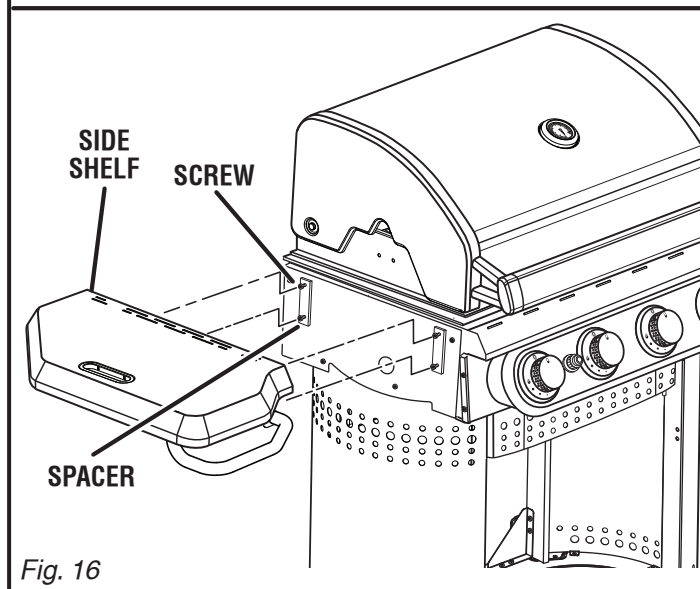
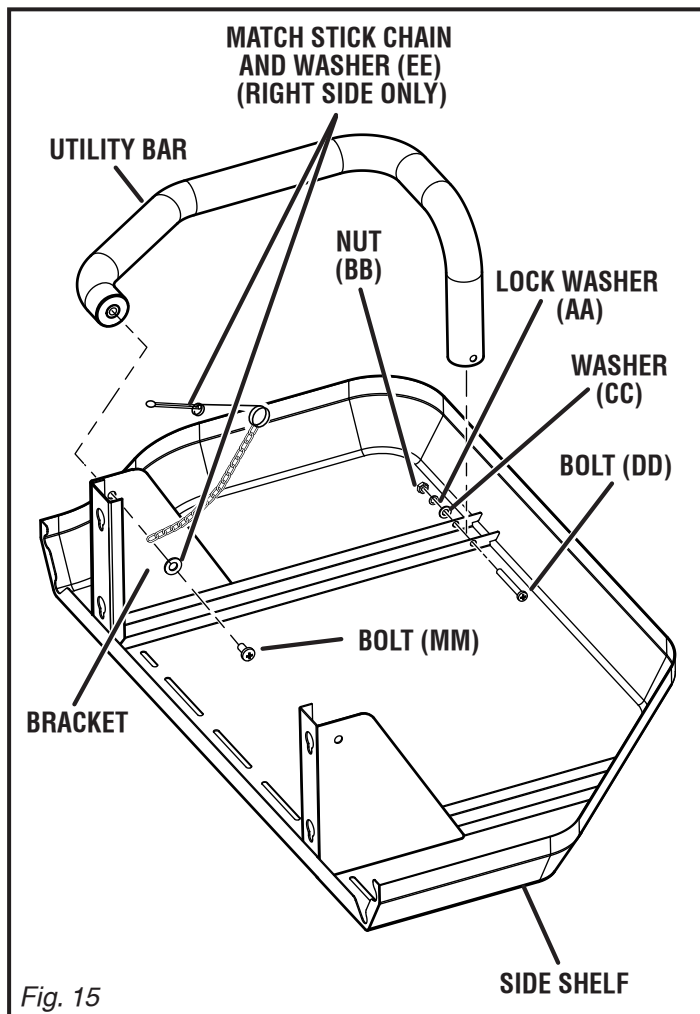
To install the utility bar onto the side shelf:

- Line up holes in utility bar with holes under side shelf.
- Insert M5 x 12 mm bolt (MM) through the hole in the bracket and into the end of the bar.
- On the right side shelf only, place the match stick chain and washer (EE) between the utility bar and bracket.
- Insert M4 x 40 mm bolt (DD) through the holes and bar. Slide the lock washer (AA) and washer (CC) onto the bolt. Securely tighten with hex nut (BB).

To install the side shelf:

- Remove the bottom screw from the spacers on each side of the firebox.
- Loosen the top screw in the spacers.

- Slide the keyhole slot in the side shelf over the top screws.
- Align the holes in the bottom of the spacer to the bottom holes in the side shelf.
- Secure using earlier removed screws and tighten the top screw.

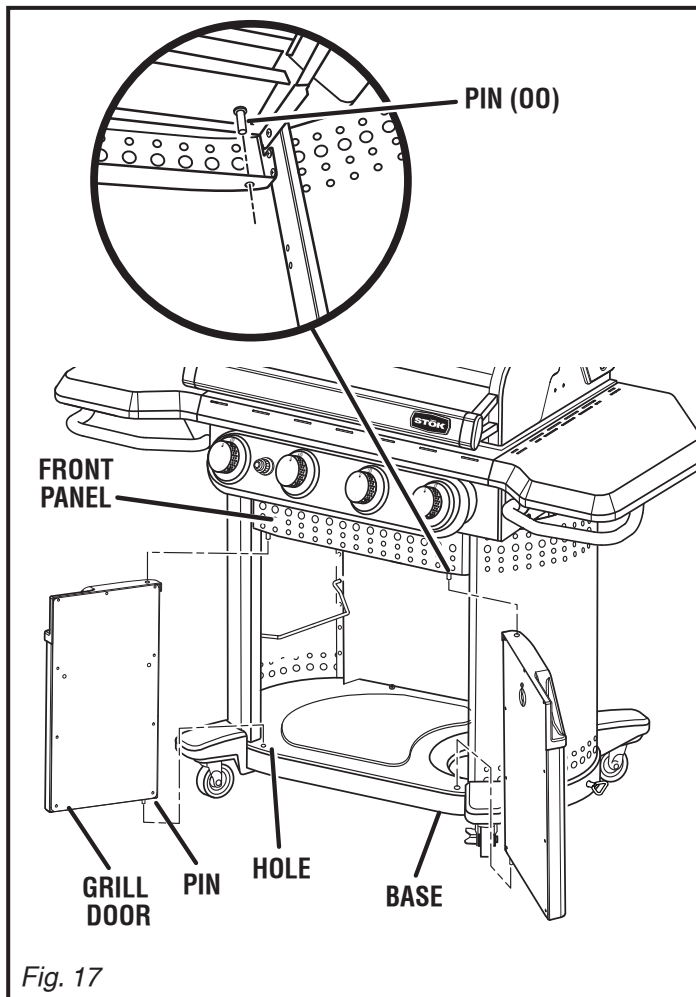


ASSEMBLY

STEP 11: INSTALLING THE GRILL DOORS

See Figure 17.

- Holding the grill door (left) securely, slide the pin in the bottom of the door into the hole in the base of the cabinet.
- Align the hole in the top of the door with the hole (left side) in the front panel.
- From inside the cabinet, slide the pin (OO) into the hole in the front panel and through the hole in the top of the grill door.
- Repeat above steps for the right grill door.

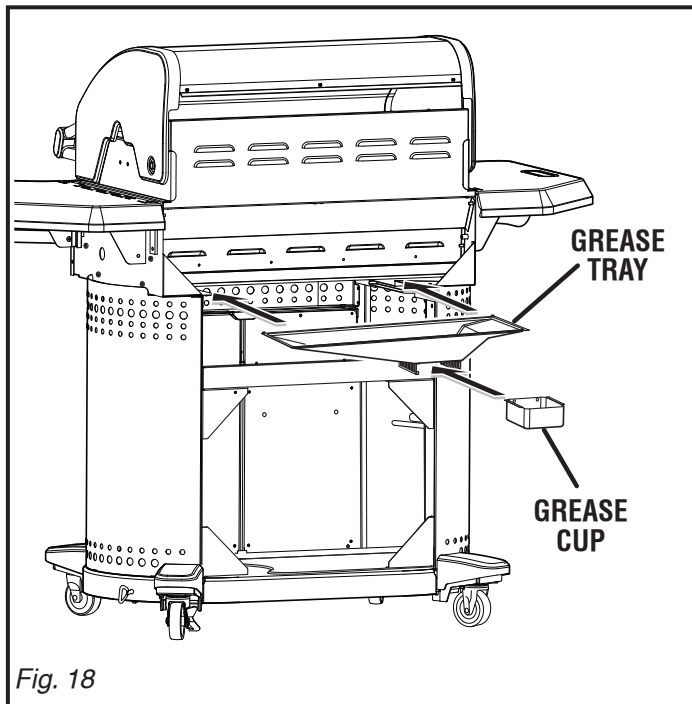


STEP 12: INSTALLING THE GREASE TRAY AND CUP

See Figure 18.

- From behind the grill, slide the grease tray into the tray holders.
- With the grease tray firmly in place, slide the grease cup into the cup holders on the bottom of the grease tray.

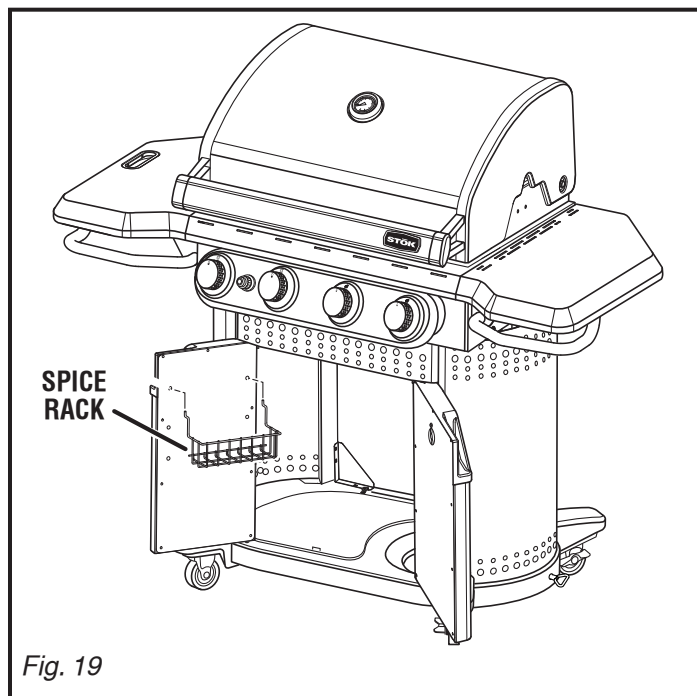
NOTE: Clean the grease tray and cup after each use. Do not remove the grease tray and cup until after the grill has completely cooled.



STEP 13: ATTACHING SPICE RACK TO GRILL DOOR

See Figure 19.

- Tilt bottom spice rack so that the hanging wire and holes in the left grill door align.
- Place wire in holes and let spice rack rest against the inside of the door.



ASSEMBLY

STEP 14: INSTALLING BATTERY IN IGNITOR

See Figure 20.

- Turn the ignitor cap counterclockwise and lift cap from the control panel.
- Slide a AA battery, negative (–) end first, into the ignitor. Be sure spring is still in place inside the ignitor cap.
- Replace ignitor cap.

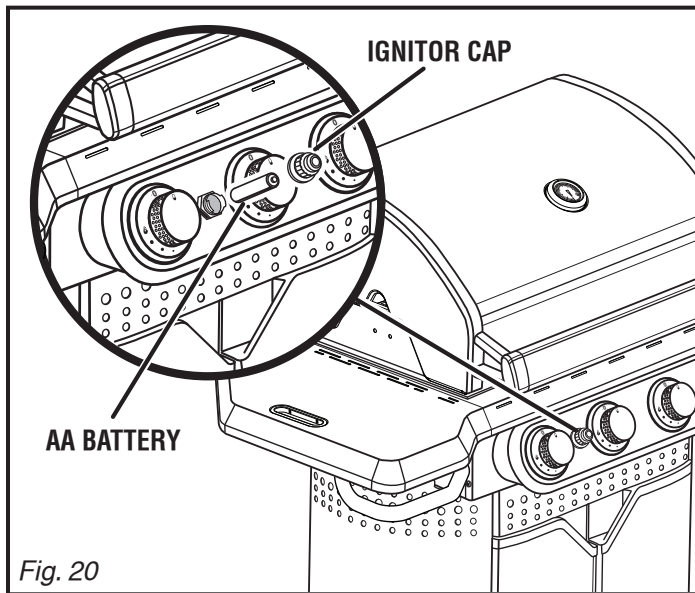


Fig. 20

USING LP GAS (LIQUID PROPANE ALSO CALLED LIQUID PETROLEUM)

LP gas is highly flammable and may ignite unexpectedly when mixed with air. The LP gas cylinder used with this grill must meet the following requirements:

- Constructed and marked in accordance with the *Specifications for LP Gas Cylinders* of the U.S. Department of Transportation (D.O.T.) or the National Standard of Canada, *CAN/CSA-B339, Cylinders, Spheres, and Tubes for Transportation of Dangerous Goods; and Commission*.
- Measurements: 12 in. diameter x 18 in. tall with 20 lb. maximum capacity.
- Cylinder valve must have:
 - Cylinder connection device (Type 1) compatible with the connector for the grill
 - Safety relief valve
 - UL listed Overfill Protection Device (OPD). This OPD safety feature is identified by a unique triangular handwheel. Use only LP gas cylinders with this type of valve.
- Arranged for vapor withdrawal and include collar to protect LP cylinder valve. Always keep LP gas cylinder in upright position during use, transport, or storage.



OPD HANDWHEEL

STEP 15: CONNECTING REGULATOR TO THE LP GAS CYLINDER

See Figures 21 - 24.

- Open cabinet doors.
- Make sure handwheel is in its full off position.
- With knees bent and in proper lifting position, carefully lift the LP gas cylinder. Place the cylinder in the base with the bottom of the cylinder placed securely in the cut-out in the base.
- Turn the cylinder retention bolt clockwise until the cylinder is secured in the base. Do not overtighten.

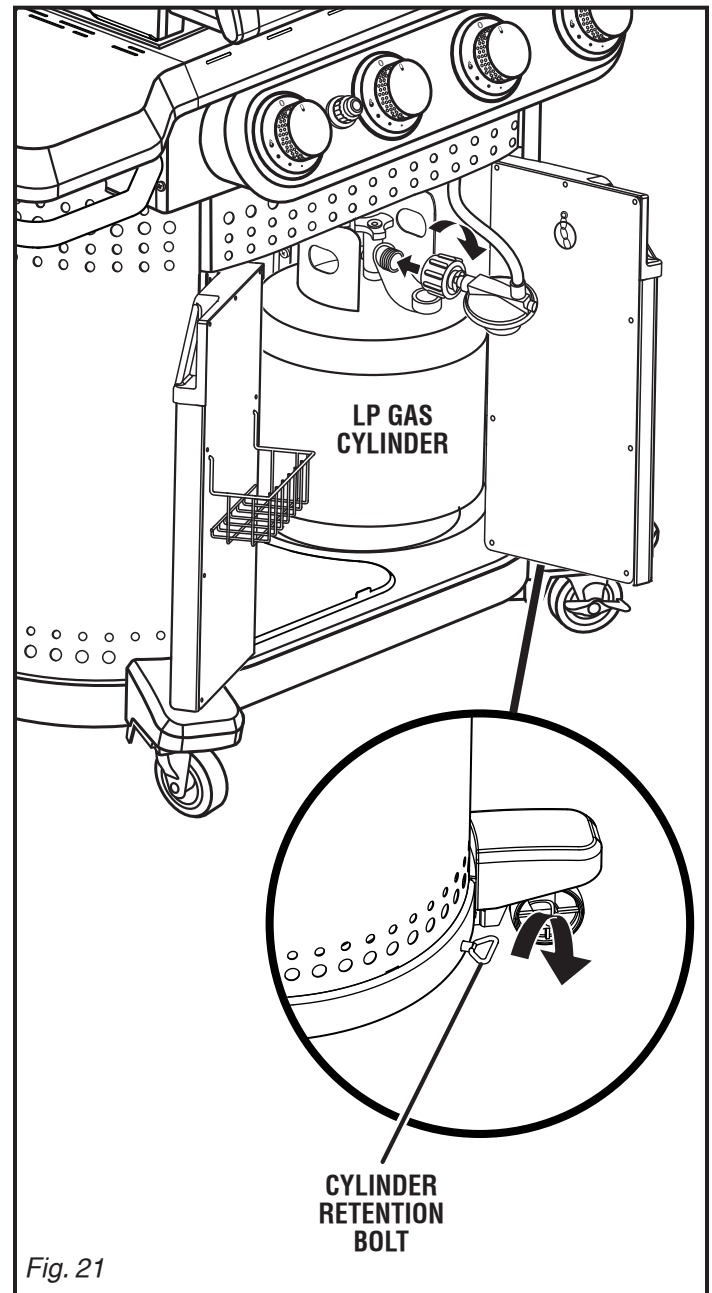


Fig. 21

ASSEMBLY

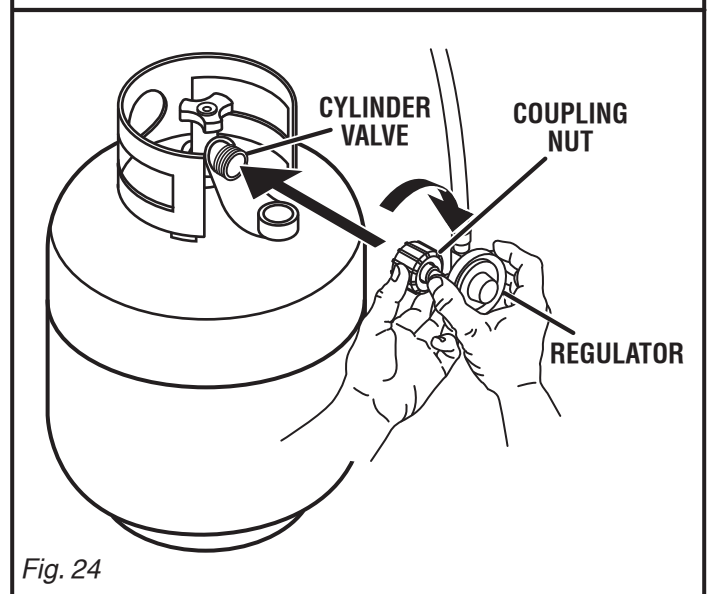
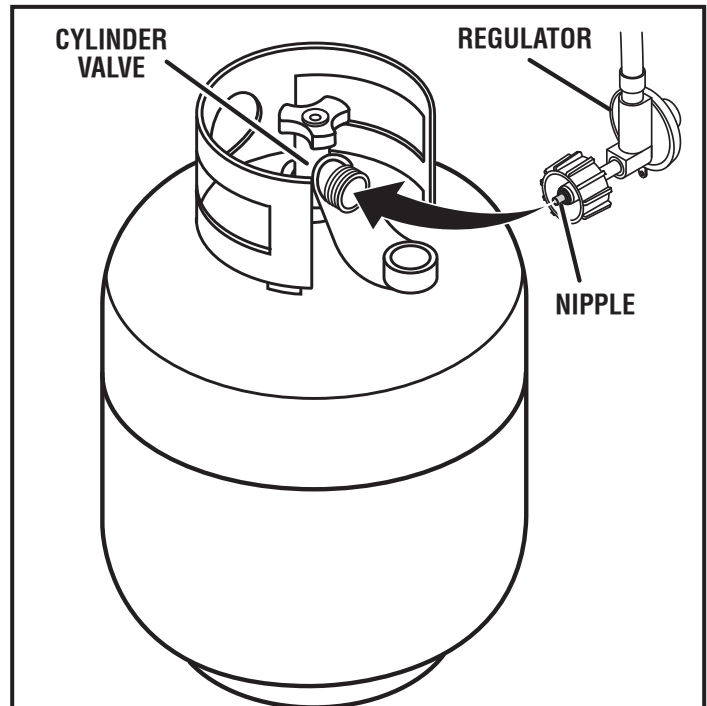
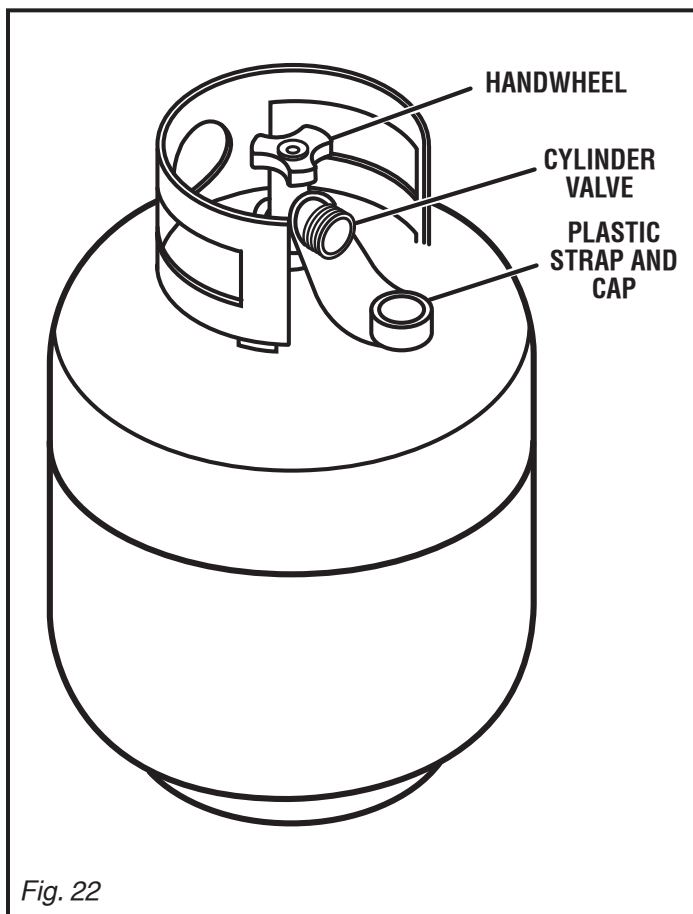
- Remove cap from LP gas cylinder.
- Hold the regulator firmly and insert nipple into the gas cylinder valve.

NOTE: Nipple must be centered in the cylinder valve.

- Holding coupling nut and regulator as shown, turn coupling nut clockwise and tighten by hand taking care not to cross-thread the connection. Do not use tools.

NOTE: The regulator will seal in the cylinder valve resulting in some resistance. **An additional one-half to three-quarters turn is required to complete the connection.** If you cannot complete the connection, disconnect and repeat the above two steps. If you still cannot complete the connection, DO NOT use this regulator!

- Inspect valve connections port and regulator. Look for any damage or debris. Remove any debris. Inspect hose for damage. **Never attempt to use damaged or plugged equipment. See your local LP Gas Dealer for repairs.**



ASSEMBLY

! DANGER:

DO NOT smoke or use an open flame during leak test. If a leak is present, the gas could ignite and result in serious personal injury.

! WARNING:

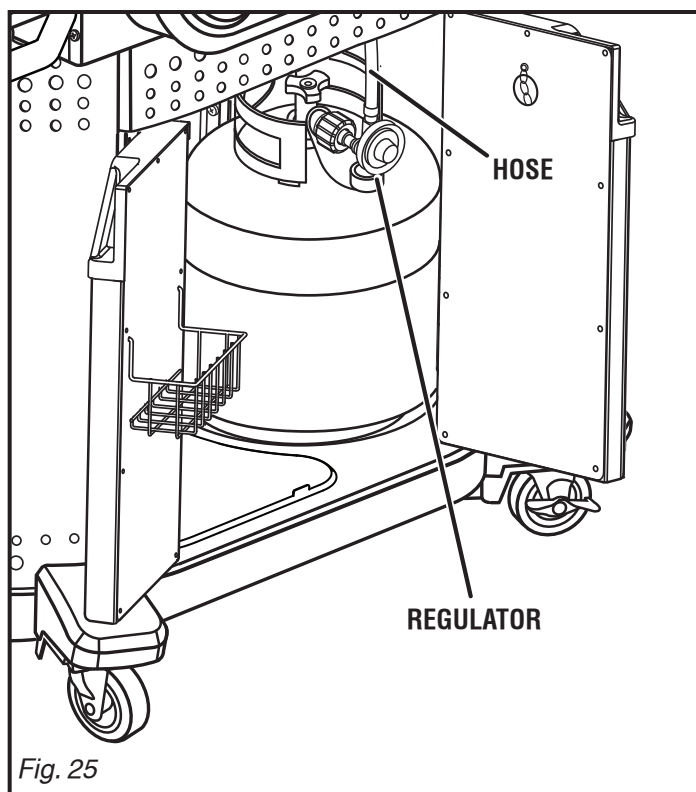
To avoid serious personal injury, always check for gas leaks any time the LP gas cylinder is disconnected and then reconnected.

STEP 16: TESTING VALVES, HOSE, AND REGULATOR FOR LEAKS

See Figure 25.

Connections on the hose and regulator were tested at the factory to ensure no gas leaks were present. However, shipping and handling could loosen connections. As a safety precaution:

- Turn all control knobs on the control panel off.
- Make sure the regulator is properly connected to the LP gas cylinder.
- To open the cylinder valve: turn handwheel counterclockwise.
If you hear a *rushing* sound, immediately turn off the cylinder valve. This sound means there is a major leak at the connection. Correct the problem before proceeding.

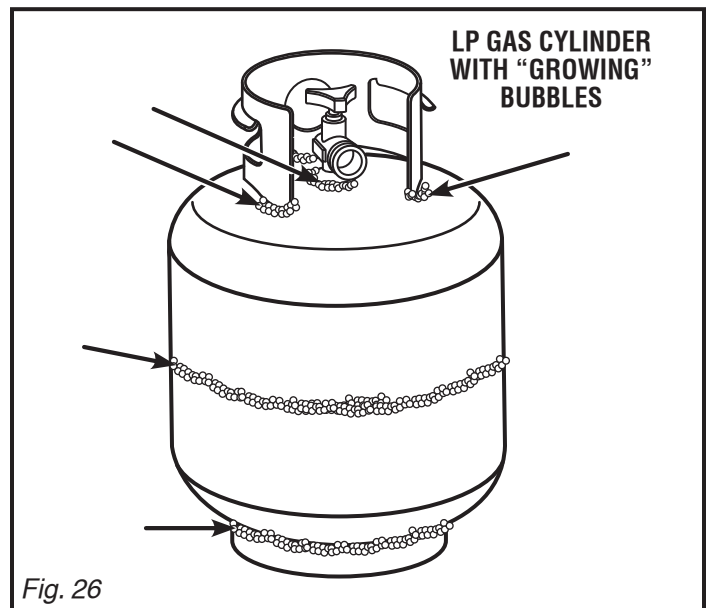


- Using a clean paint brush and a 50/50 mixture of mild soap and water, brush soapy solution over all the connections and fittings on the grill.
- “Growing” bubbles indicate a leak. Close the cylinder valve then retighten all connections.
NOTE: If leaks cannot be stopped, do not try to repair. Call for replacement parts.
- If you are not using the grill immediately after the leak test, close the cylinder valve by turning the valve clockwise).

STEP 17: TESTING THE LP GAS CYLINDER

See Figure 26.

- Turn the control knobs on the control panel off, turn off the LP gas cylinder valve, and disconnect the regulator from the cylinder.
- Remove the LP gas cylinder from inside the cabinet.
- Using a clean paint brush and a 50/50 mixture of mild soap and water, brush soapy solution over areas indicated by arrows.
- “Growing” bubbles indicate a leak. Do not use or move the gas cylinder. Contact a gas supplier or the fire department!
- If you see, smell, or hear the hiss of escaping gas from the liquid propane cylinder:
 - Move away from liquid propane cylinder
 - Do not attempt to correct the problem yourself
 - Call your local fire department



OPERATION



WARNING:

Do not allow familiarity with grill to make you careless. Remember that a careless fraction of a second is sufficient to inflict severe injury.



WARNING:

Do not use any attachments or accessories not recommended by the manufacturer of this grill. The use of attachments or accessories not recommended can result in serious personal injury.

SAFETY TIPS FOR USING THE GRILL

- Before opening the LP gas cylinder valve, check the coupling nut for tightness and perform a leak test.
- Trim excess fat from meat to reduce flare ups from drippings.
- When grill is not in use, turn off all control knobs and the cylinder valve.
- Do not move grill during cooking or while the grill is hot.
- To avoid burns and splatters while cooking and the grill is hot, use long-handled utensils and oven mitts.
- Do not use the grill if the grease tray and grease cup are not clean and properly installed.
- Once the grill has cooled, clean promptly.
- Do not let grease or hot material drip from the grill onto the valve, hose, or regulator. Correct the problem before use.
- If the regulator frosts, immediately turn off the grill and cylinder valve. This indicates a problem with the LP gas cylinder and it should not be used. Return the cylinder to the supplier.
- Do not leave the grill unattended while preheating or burning off food residue. If the grill has not been regularly cleaned as instructed, a grease fire can occur.
- Never use water on a grease fire.
- Perform a burner flame check before each use (see the *Maintenance* section).

GRILLING GUIDE

High — for preheating the grill, searing steaks and other cuts of meat, burning off food residue from grate.

Medium — for most grilling, baking, and roasting.

Low — for cooking fish and other lean foods.

COOKING/GRILLING TIPS

- The best oils to use when grilling meats are high-temperature oils (i.e., peanut, canola, safflower, and cottonseed oils).
- Dry off meat prior to grilling. Dry meat browns; wet meat steams.
- Grill with the hood down.
- Keep grates clean. A clean grate is less likely to be sticky and will last longer.
- Clean the hood and inside the firebox often. A grease build-up is a fire hazard and adds unwanted flavors to your fresh food.
- Before lighting the burners, spray grates with non-stick spray to prevent food from sticking.
- Always preheat the grill 10 - 15 minutes prior to use.
- Before you start grilling, organize the food by cooking technique, required cooking time, and grilling area required.
- Sauces containing sugars and fats can cause flare-ups and burn your food. Apply these sauces only in the last 10 minutes of cooking.
- Marinades and rubs enhance the flavor of food. A dry rub or liquid marinade can be used prior to cooking.
- When using the pizza stone, preheat the stone in the grill approximately 15 minutes to come thoroughly up to the required temperature.

FOOD SAFETY

- Wash hands, utensils, and surfaces with hot soapy water before and after handling raw meat.
- Keep raw meat separate from ready-to-eat foods.
- Use a clean platter and utensils when removing cooked food from the grill.
- Cook meat and poultry thoroughly to kill bacteria.
- Use a meat thermometer to ensure proper internal temperature of meat.
- USDA Recommended Safe Minimum Internal Temperatures of Food:
 - 145°F for beef, veal, lamb, steaks, and roast
 - 145°F for fish
 - 160°F for ground pork, beef, veal, and lamb
 - 160°F for pork
 - 160°F for egg dishes
 - 165°F for turkey, chicken, and duck (whole, pieces, and ground)
- Refrigerate prepared and leftover foods promptly.

OPERATION

CAUTION:

If ignition does NOT occur within 5 seconds, turn the control knob off (O) and wait 5 minutes. Repeat lighting procedures. If burner does NOT ignite with the cylinder valve open, gas will continue to flow of the burner and could accidentally ignite and result in serious personal injury.

IGNITING THE MAIN BURNER

See Figures 27 - 28.

NOTE: Never lean over the grill while lighting burners.

The first time you use your newly purchased grill, it is recommended the grill run on the highest setting for 15 - 20 minutes.

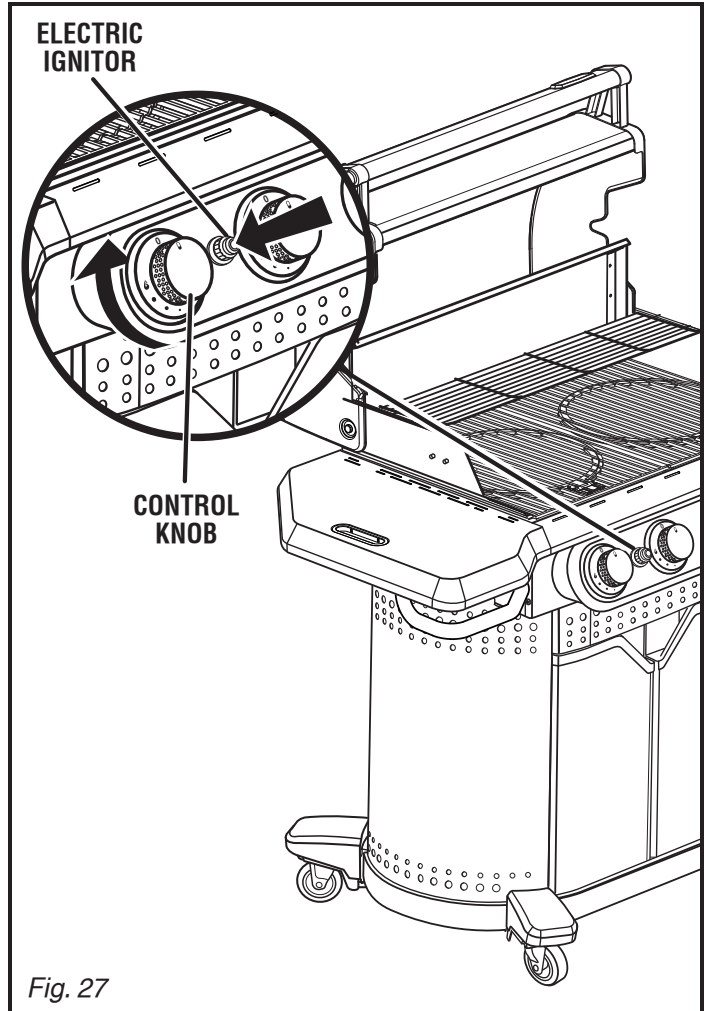
To ignite burners using the electric ignitor:

- Open the hood.
- Turn all control knobs on the control panel off (O).
- Make sure the regulator is tightly connected to the LP gas cylinder and a leak test has been performed.
- Open the cylinder valve completely.
- Push in the far left control knob and turn to ON 🔥.
- Press and hold the electric ignitor until the burner lights. When burner is lit, turn the control knob to the desired setting.

If burner fails to light within five (5) seconds, release the electric ignitor. Turn the control knob off and wait five (5) minutes then repeat the step.


NOTE: Place burner on high and observe flame height which should be approximately 1 inch. If the flame is too high or too low, burner adjustment is required. See *Adjustment* section later in this manual.

- To light adjacent burners: push in and turn on the control knob next to the lit burner to light; or, repeat the lighting procedures for non-adjacent burners.



OPERATION

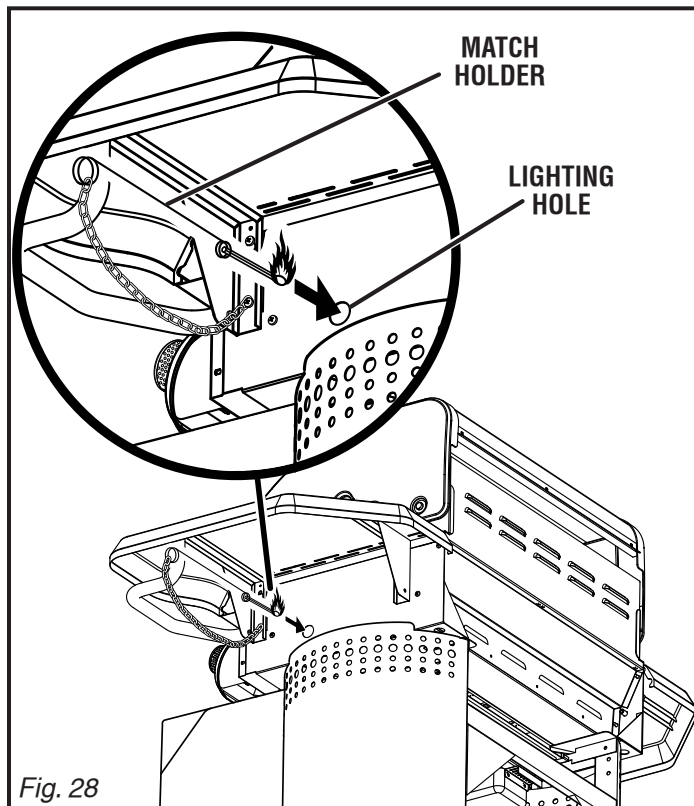
To ignite burners using match lighting:

- Open the hood.
- Turn all control knobs on the control panel off (O).
- Make sure the regulator is tightly connected to the LP gas cylinder and a leak test has been performed.
- Open the cylinder valve completely.
- Using the match holder included with this grill, place a match between the circular wire.
- Light the match and place into lighting hole on the side of the firebox.
- Push in the far right control knob and turn to ON .
- When burner is lit, turn the control knob to the desired setting.

If burner fails to light, extinguish the match then turn the control knob off and wait five (5) minutes then repeat the step.

NOTE: Place burner on high and observe flame height which should be approximately 1 inch. If flame is too high or too low, burner adjustment is required. See the *Adjustment* section later in this manual.

- To light other burners: push in and turn on the control knob next to the lit burner to light.



RESETTING THE GAS REGULATOR SAFETY DEVICE

Since 1995, all regulators include a safety feature that restricts gas flow in the event of a gas leak. If you turn on the control knob before turning on the cylinder valve, you can activate this feature. Even with all the burners turned on high, the grill won't get hotter than 250°F to 300°F. It will then be necessary to reset the gas regulator safety device.

To reset:

- Open the hood and turn all control knobs on the control panel off (O).
- Close cylinder valve completely and disconnect the regulator from the LP gas cylinder.
- Wait 30 seconds then reconnect the regulator.
- Open cylinder valve and follow igniting instructions.

USING THE GRILL AND ACCESSORIES

See Figure 29.

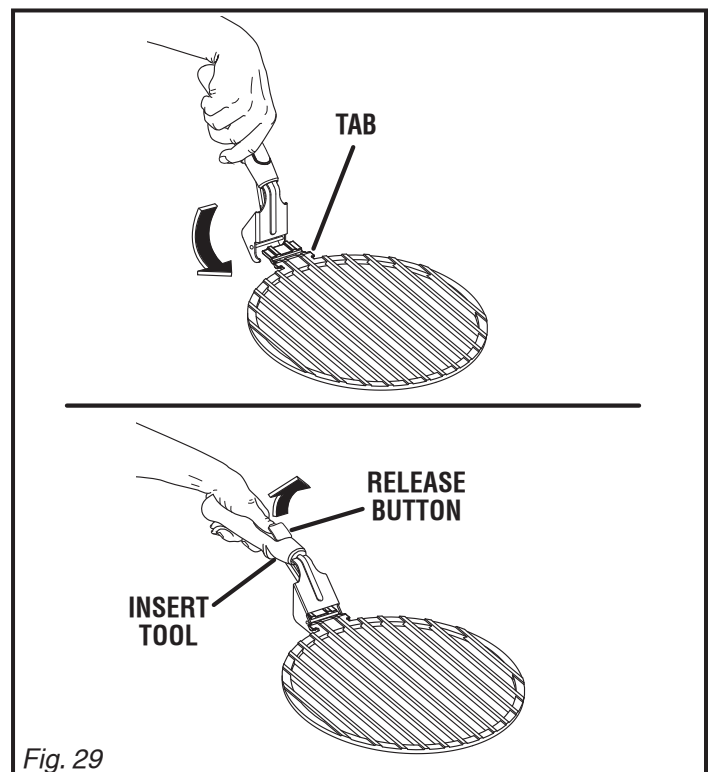
WARNING:

Never use an accessory if the porcelain coating is damaged or chipped. Use with a damaged coating could result in serious personal injury if ingested.

NOTE: Only use the insert removal tool on tabbed inserts.

To use the insert removal tool:

- Slide the hooks on the end of the insert tool under the tab on the insert.



OPERATION

- Lower the tool so that the bottom latch catches under the insert tab.
- To release: Lift the orange release button with your thumb then remove the insert removal tool from the insert.

To use the grate to grill meat:

- Turn on the grill and close the hood. Preheat the grill for 10 - 15 minutes.
- Open the hood and place the meat on clean grates and close the hood. Cooking time will vary depending on personal preference.
NOTE: When grilling fish, the meat is typically done when it flakes easily with a fork. If any part of the meat is glossy in appearance, it is not done.
- When finished cooking, turn the control knobs and cylinder valve off.
- Clean grates, grease tray, and grease cup.



WARNING:

Only place the pizza stone in cold grill. Placing the pizza stone in a hot grill can result in possible serious injury.

To use the pizza stone:

- Using the insert removal tool, lift and remove one of the grate inserts then place the pizza stone in the hole where the grate insert was removed.
- Turn on the grill and close the hood. It will take 15 minutes to heat the stone to a cooking temperature
- Open the hood and place pizza on the pizza stone.
- Cook the pizza.
- When finished cooking, turn the control knobs and cylinder valve off.
- Allow the pizza stone and grill to completely cool.
- Clean grates, grease tray, grease cup, and pizza stone.

MAINTENANCE

! WARNING:

When servicing, use only identical replacement parts. Use of any other parts can create a hazard or cause product damage.

GENERAL MAINTENANCE

Do not mistake brown and black build up of grease and smoke for paint. The inside of the hood is not painted and should never be painted. When cleaning the inside of the hood and grill bottom, use a strong solution of detergent and water with a scrub brush to clean. Rinse thoroughly and allow to air dry. NEVER use a caustic grill cleaner on painted or cooking surfaces.

All plastic parts, stainless-steel and painted surfaces, should be cleaned with warm soapy water and wiped dry. Cooking surfaces should be cleaned with a bristle brush only. Check that no loose bristles remain on the cooking grates prior to using.

Cooking grates:

- Clean before and after each use with a stiff wire brush.

Heat tents:

- Scrape any build up off the heat tents using a wire brush.

Grease tray and grease cup:

- After use, allow the grease in the tray and cup to cool then empty into the garbage.
- Empty after each use to avoid spillage and flare ups.

CLEANING BURNER ASSEMBLY AND CHECKING VENTURI FOR INSECTS

See Figures 30 - 33.

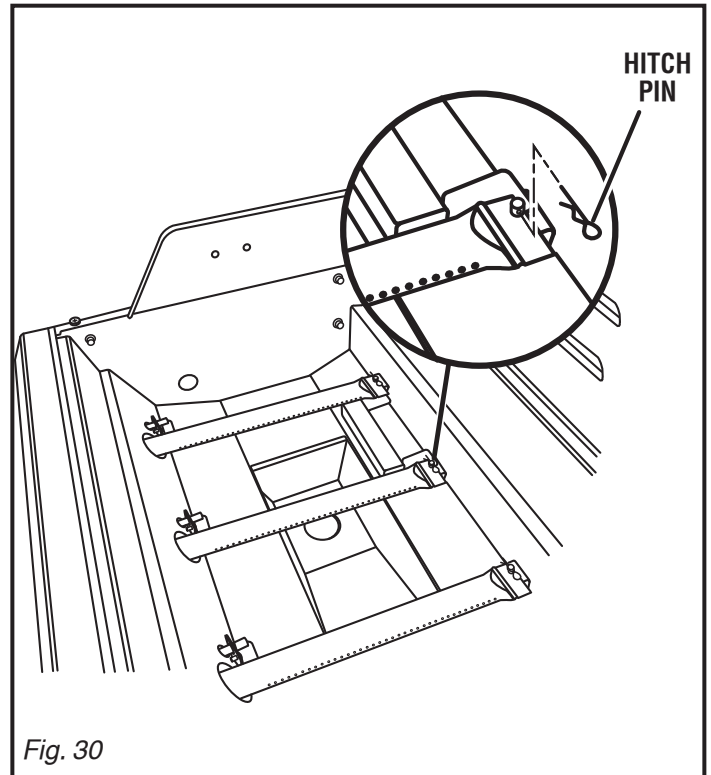
! DANGER:

Failure to clean the burner assembly and checking the venturi as described can result in a fire or explosion resulting in serious injury or death.

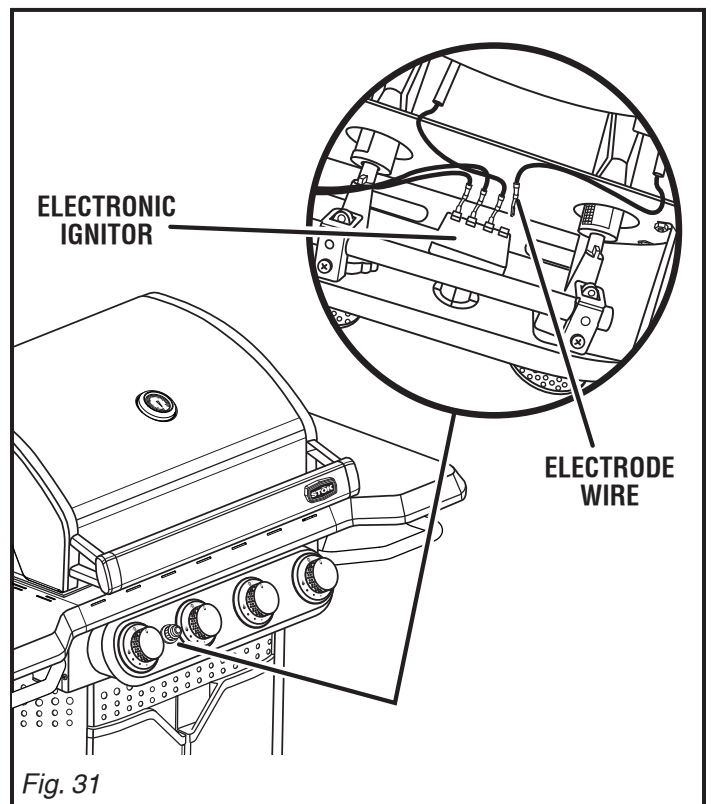
Burners should be cleaned when the grill has been idle for some time. In some parts of the country, spiders and other insects can spin webs, build nests, and lay eggs in the venturi blocking gas flow and causing fire in the tubes known as “flashback”. Flashback can damage the grill and even cause injury.

- Turn all control knobs on the control panel off (O).
- Lift and remove cooking and heat grates from inside the grill.

- Remove hitch pin securing the burner(s) to the bottom of the grill.



- Pull electrode wire from the electronic ignitor.
- Lift burner up and away from the gas valve openings.



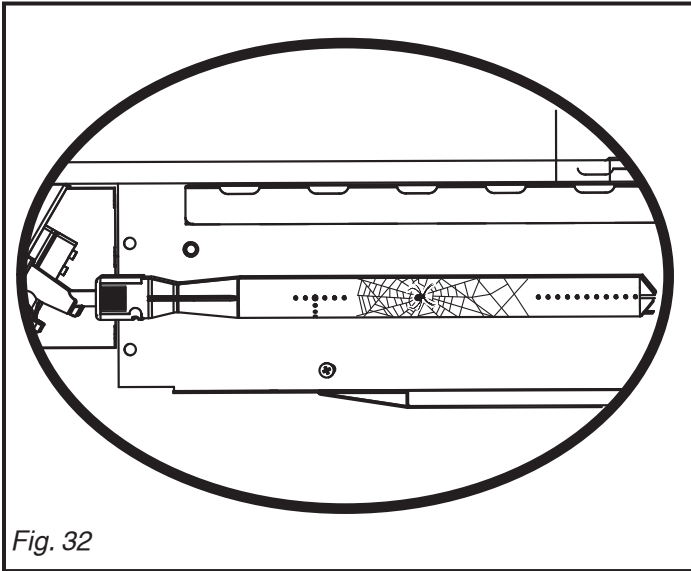


Fig. 32

Clean burner tubes using one of the following three ways:

1. Bend a stiff wire into a small hook. Run the hook through each burner tube several times.
2. Use a narrow bottle brush with flexible hand and run through burner tubes several times. **DO NOT** use a wire brush.



3. Wear eye protection then use an air hose to force air into the burner tube and out through the burner port. Clean any clogged port with an opened paper clip.

- Once burner tubes are clear of debris, use a wire brush to remove food and dirt from the outer surface of the tubes.
- Check burner for damage. Normal wear and corrosion may cause some holes to enlarge. Replace burners if this happens.

NOTE: Burner tubes must reengage valve openings.

- Verify that the gas valve orifice is correctly positioned inside burner inlet.
- Attach the electrode to the burner and carefully replace the burners.
- Slide burners into brackets inside the grill and secure burners using hitch pins.
- Reattach electrode wires to the electronic ignitor.

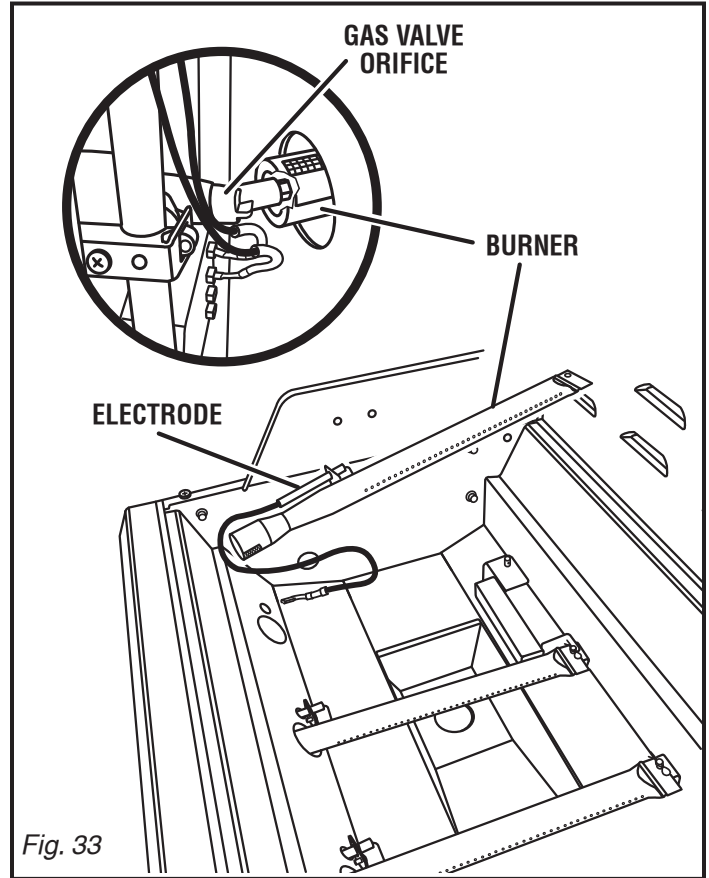


Fig. 33

BURNER FLAME CHECK

See Figure 34.

- Close cylinder valve completely.
- Remove heat grates.
- Turn on cylinder valve completely.
- Light burners and turn the control knobs from high to low. A smaller flame should be seen on low while the high positions flame should be approximately 1 in. in height.
- If only a low flame is seen, you may need to reset the gas regulator safety device as described in the *Operation* section.

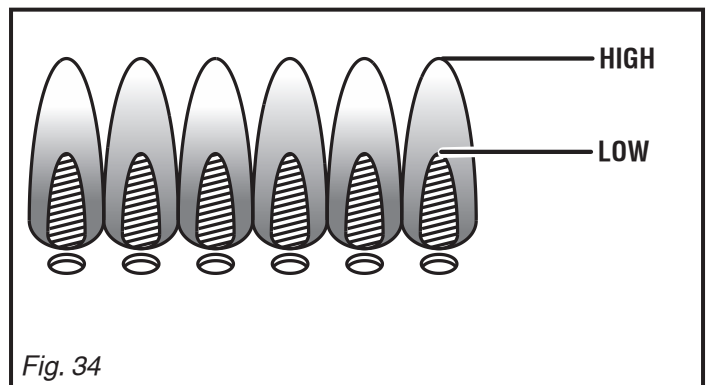


Fig. 34

MAINTENANCE

HOSE CHECK

Close cylinder valve completely. Inspect all hoses before each use. Replace any damaged hoses before using the grill.

NOTE: Only use parts recommended by the manufacturer.

IGNITOR CHECK

Close cylinder valve completely. Press and hold the ignitor. "Click" should be heard and a spark seen between the burner and electrode. If no spark, see the *Troubleshooting* section later in this manual.

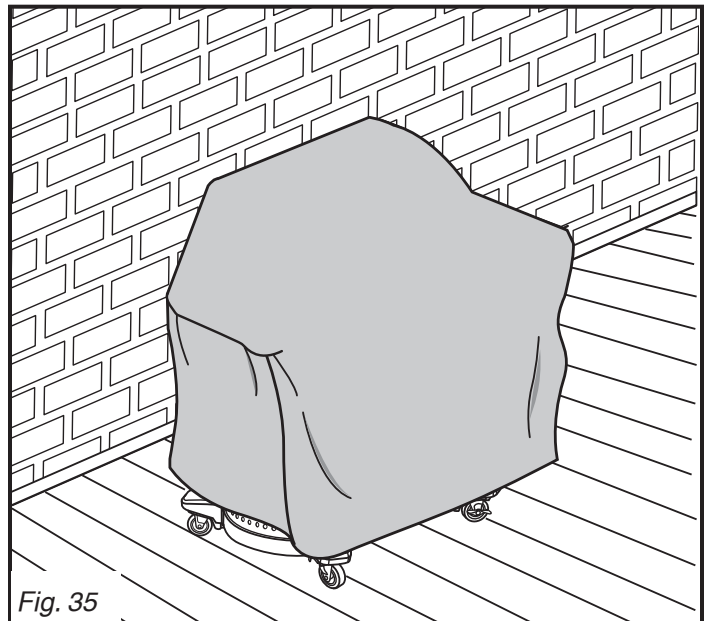
VALVE CHECK

Close cylinder valve completely. Control knobs lock in place when turned off. To check valves: push in knobs and release. If knobs don't spring back, replace the valve assembly before using grill.

STORING THE GRILL

See *Figure 35*.

- Turn all control knobs on the control panel off (O).
- Close cylinder valve completely.
- Hold regulator firmly and turn coupling nut counter-clockwise to disconnect the regulator from the LP gas cylinder.
- Place dust cap on cylinder valve outlet whenever the cylinder is not in use. Only install the type of dust cap on the cylinder valve outlet that is provided with the cylinder valve. Other types of caps or plugs may result in leakage of propane.
- Once cooled, clean grill thoroughly.
- Store in dry location. If storing outside, cover grill with one of the variety of grill covers offered by manufacturers.



TROUBLESHOOTING

PROBLEM	CAUSE	SOLUTION
Smell of gas	Gas cylinder valve open.	Turn off cylinder valve immediately and tighten connections.
	Hose, regulator, or valve leaking.	Turn off cylinder valve immediately and check for damaged hose, regulator, or valve. Perform leak test, see “Testing Valves, Hose, and Regulator for Leaks” in the <i>Assembly</i> section.
Flame flashback beneath control panel	Fire in burner tube due to blockage.	See “Cleaning Burner Assembly and Checking Venturi for Insects” in the <i>Maintenance</i> section.
Gas leak detected from cylinder, regulator, or other connection	Improper installation and loose connections.	Tighten fittings and see “Testing Valves, Hose, and Regulator for Leaks” in the <i>Assembly</i> section.
	Mechanical failure due to rusting or mishandling.	Replace or refill LP gas cylinder.
Grease fire or continuous excessive flames above cooking surface	Grease build up in burner area.	Turn off control knobs and cylinder valve. Leave hood open allowing flames to extinguish. Once cool, clean grill thoroughly.
Burners will not light	LP gas cylinder is empty.	Replace or refill LP gas cylinder.
	Trying to light wrong burner.	See “Igniting the Main Burner” in the <i>Operation</i> section.
	Burner not connected to control knob. Venturi blocked.	Make sure valves are inside the burner tubes. See “Testing Valves, Hose, and Regulator for Leaks” in the <i>Assembly</i> section.
	Vapor lock at coupling nut to LP cylinder.	Turn off control knobs and cylinder valve.
	Ignitor wire(s) are loose, dirty, or not connected.	Reconnect burner electrode wires or replace the ignitor wire assembly. Clean wires and/ or electrode with rubbing alcohol and a clean swab. Tighten all connections.
	Dead battery in ignitor.	Replace the battery in the ignitor.
Decreasing heat or popping sound	LP gas cylinder is empty.	Replace or refill LP gas cylinder.
	Venturi blocked.	See “Testing Valves, Hose, and Regulator for Leaks” in the <i>Assembly</i> section.
Hot spots on cooking surface	Venturi blocked.	See “Testing Valves, Hose, and Regulator for Leaks” in the <i>Assembly</i> section.
Humming noise from regulator	Cylinder valve turned on too quickly.	Turn off control knobs and cylinder valve. Turn valve on slowly.
Yellow flame	Venturi or burners may be blocked.	See “Testing Valves, Hose, and Regulator for Leaks” in the <i>Assembly</i> section.
Inside of lid appears to be peeling	This is a build up of grease. The inside of the lid is not painted.	Clean with a soft bristle brush or scraper.

WARRANTY

STÖK™ GAS GRILL LIMITED WARRANTY

Thank you for purchasing a STÖK™ brand grill. Below is our limited gas grill product warranty. Before submitting a warranty claim, we suggest you read the Operator's Manual that came with your grill. You may discover an easy and simple solution to your problem. If you cannot find the manual, a replacement can be obtained by calling the number below, or by downloading one from our web site at the address below.

What the Warranty Covers:

- Stainless Steel Burners: 10 years against manufacturing and material defects
- All other Grill Parts and Components: 2 years against manufacturing and material defects

The warranty period begins on the date of purchase. The warranty applies only to grills purchased from an authorized retailer in the U.S. or Canada and extends only to the original purchaser and is not transferable.

Although we encourage you to register your gas grill, you do not need to do so in order to submit a warranty claim. Registering your grill, however, will NOT serve as a substitute for a sales receipt. **We cannot honor any warranty claims without a valid sales receipt which shows date and place of purchase.** If STÖK approves the claim, you may be required to return any defective part, which STÖK™ will repair or replace without charge. If a part is not repairable and no longer available, the part may be replaced with a similar part of equal function. Repair or replacement of parts does not extend the warranty period.

Repair or replacement of parts is your exclusive remedy under this limited warranty.

What the Warranty Doesn't Cover:

The limited warranty does not cover damage caused by any of the following:

- Failure to assemble, use or maintain the grill in accordance with the assembly instructions and Operator's Manual or any other misuse or abuse or failure to follow local codes
- Commercial, institutional, apartment complex or other community use
- Gas cylinders or tanks
- Unauthorized modification or repair of the grill or use of unauthorized parts
- Acts of God such as fire, flood, hurricanes, lightning, wind and hail
- Flare-up fires or accidents
- Cleaners other than those recommended in the Operator's Manual or exposure to other chemicals either directly or in the atmosphere (do not store your grill near a pool)
- Food loss or incidental, consequential or special damages
- Scratches, dents, discoloration, surface rust or other cosmetic issues or damages caused by tools during assembly
- Normal wear and tear
- Any consumable accessories provided with your grill such as grilling tools, brushes or cleaners
- Postage, pickup, delivery or other transportation costs
- The cost to remove or install any parts or components or other labor charges

THIS LIMITED WARRANTY IS THE SOLE EXPRESS WARRANTY PROVIDED BY STK. EXCEPT TO THE EXTENT PROHIBITED BY LAW, ANY IMPLIED WARRANTY OF MERCHANTABILITY OR FITNESS FOR A PARTICULAR PURPOSE IS LIMITED TO THE DURATION OF THE ABOVE WARRANTY. NO RETAILER OR OTHER PARTY HAS ANY AUTHORITY TO CREATE ANY OTHER WARRANTY OR ADD TO OR VARY THIS LIMITED WARRANTY. ONE WORLD TECHNOLOGIES, INC.'S *MAXIMUM LIABILITY* IN ANY EVENT UNDER THIS WARRANTY WILL NOT EXCEED THE PURCHASE PRICE PAID BY THE ORIGINAL PURCHASER.

Note that some states, provinces or other jurisdictions do not allow exclusion or limitation of incidental or consequential damages or limits on how long an implied warranty lasts. Some of the above limitations therefore may not apply to you. This limited warranty gives you specific legal rights. You also may have other rights that vary from jurisdiction to jurisdiction.

How to Obtain Warranty Service:

Before returning any parts or components, please contact Customer Service at the number shown below. Please have available the grill's serial number (located inside the right door of the cabinet) and a copy of your sales receipt showing your date and place of purchase. The call must be made within the warranty period.

Returns will not be accepted without a valid return authorization number (RAN) from Customer Service. You will be responsible for paying shipping charges, and you must return the defective part to STÖK™ freight/postage prepaid with the RAN shown on the outside of the package. Returns that do not meet these requirements will be refused. We will return a replacement part to you freight/postage prepaid.

STÖK™ Customer Service (toll free, U.S. and Canada): 1-800-847-5993

STÖK™ web site address: www.stokgrills.com

NOTES

MANUEL D'UTILISATION

QUATTRO™

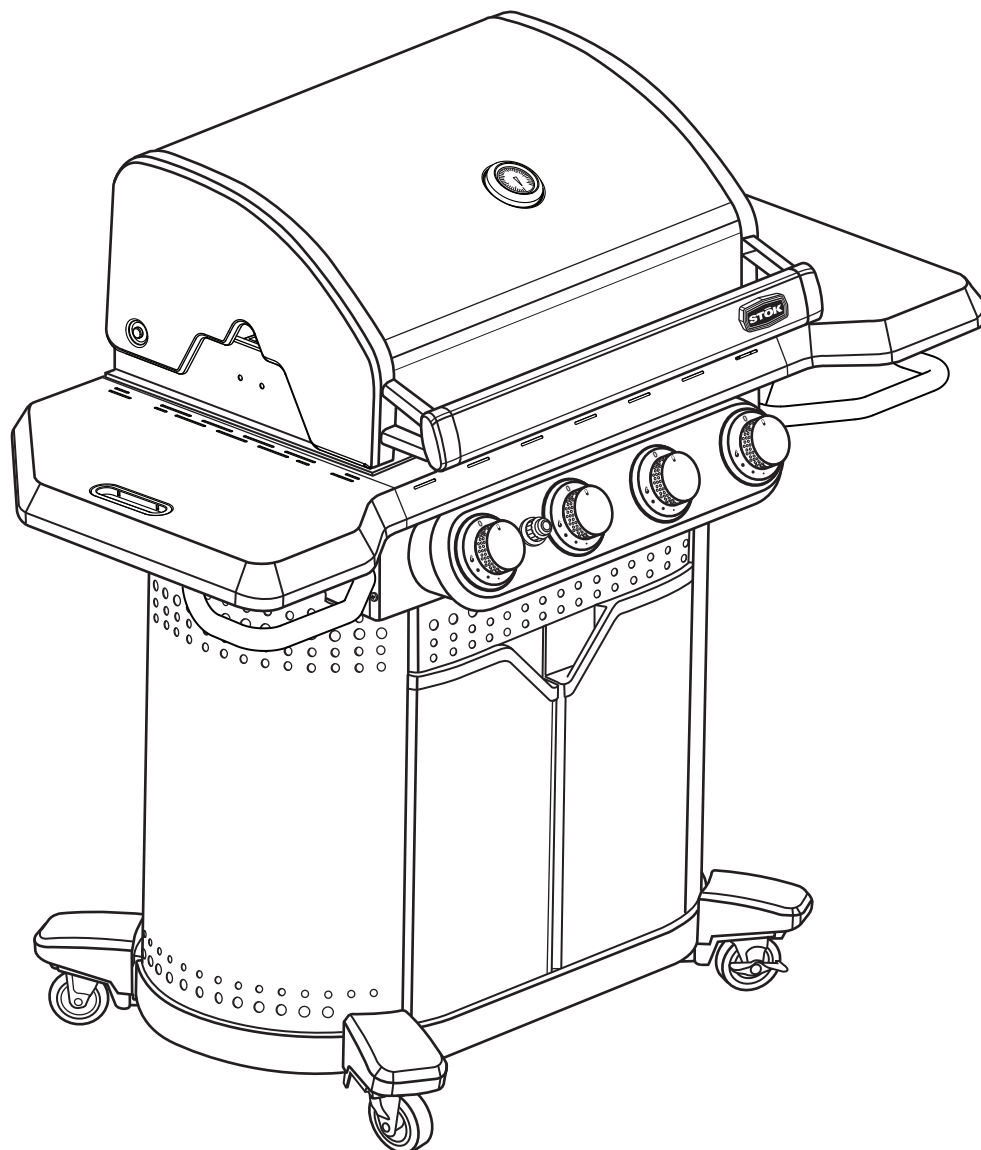
GRIL AUX GAZ DE PÉTROLE LIQUÉFIÉS (GPL) À 4 BRÛLEURS

SGP4130N



UTILISER À L'EXTÉRIEUR
SEULEMENT

BOUTEILLE DE GPL
VENDUE SÉPARÉMENT



Visitez le site Web de STOK à l'adresse suivante : www.stokgrills.com

⚠ DANGER :

Le non-respect des instructions fournies dans ce manuel d'utilisation entraînera des BLESSURES GRAVES, voire MORTELLES.



REMARQUE À L'INTENTION DE L'INSTALLATEUR/ASSEMBLEUR : Remettre ce manuel d'utilisation au propriétaire du gril à titre de référence.

CONSERVER CE MANUEL POUR FUTURE RÉFÉRENCE

TABLE DES MATIÈRES

■ Introduction	2
■ Règles de sécurité générales	3-4
■ Règles de sécurité particulières	4
■ Symboles.....	5
■ Caractéristiques	6-7
■ Outils nécessaires	7
■ Pièces détachées	8-9
■ Assemblage.....	10-18
■ Utilisation.....	19-22
■ Entretien	23-25
■ Recherche de pannes.....	26
■ Garantie	27
■ Commande de pièces/réparation.....	page arrière

INTRODUCTION

Cet parrilla offre de nombreuses fonctions destinées à rendre son utilisation plaisante et plus satisfaisante. Lors de la conception de ce produit, l'accent a été mis sur la sécurité, les performances et la fiabilité, afin d'en faire un outil facile à utiliser et à entretenir.

DANGER :

Si une odeur de gaz se dégage :

1. Fermer l'alimentation en gaz de l'appareil.
2. Éteindre le feu.
3. Ouvrir le capot.
4. Si l'odeur persiste, s'éloigner du gril et appeler immédiatement le fournisseur de gaz ou le service des incendies.

AVERTISSEMENT :

1. Ne pas entreposer ou utiliser d'essence ou d'autres gaz ou liquides inflammables à proximité du gril ou d'un autre appareil.
2. Ne pas entreposer une bouteille de GPL qui n'est pas branchée aux fins d'utilisation à proximité du gril ou d'un autre appareil.

DANGER :

Un assemblage, une modification, un ajustement, un service ou un entretien inadéquats peuvent causer la mort, des lésions corporelles ou des dommages matériels. Lire attentivement les instructions d'assemblage, d'utilisation et d'entretien décrites dans le présent manuel avant d'assembler ou d'employer le gril ou d'en faire l'entretien.

To register your STOK
product, please visit:
<http://register.stokgrills.com>

Pour enregistrer votre
produit de STOK,
s'il vous plaît la visite:
<http://register.stokgrills.com>

Para registrar su producto
de STOK, por favor visita:
<http://register.stokgrills.com>

RÈGLES DE SÉCURITÉ GÉNÉRALES



AVERTISSEMENT :

Lire et veiller à bien comprendre toutes les instructions. Le non-respect de toutes les instructions ci-dessous peut entraîner un choc électrique, un incendie et/ou des blessures graves.

LIRE TOUTES LES INSTRUCTIONS

- Cet appareil doit être installé conformément aux plus récents codes locaux. En l'absence de tels codes, utiliser :
 - États-Unis :
 - National Fuel Gas Code, la norme de l'American National Standards Institute ANSI Z223.1/de la National Fire Protection Association NFPA 54
 - LP gas Code, la norme NFPA 58
 - Canada :
 - le Code d'Installation du gaz naturel et du propane, la norme de l'Association canadienne de normalisation CSA B149.1
 - le Code d'Installation du gaz naturel et du propane, la norme de l'Association canadienne de normalisation CSA B149.1
- Si un accessoire nécessitant une source d'électricité extérieure est utilisé sur le gril, il doit être mis à la terre conformément aux codes locaux. En l'absence de tels codes, utiliser :
 - États-Unis : National Electrical Code, ANSI/NFPA 70
 - Canada : le Code canadien de l'électricité, la norme CSA C22.1
- Cet appareil doit être utilisé à l'extérieur seulement et pas dans un bâtiment, un garage, une remise ou tout autre espace clos.
- Ne jamais utiliser ou installer l'appareil sur des bateaux et dans des véhicules récréatifs (VR).
- L'arrière et les deux côtés de ce gril doivent être éloignés des surfaces combustibles d'au moins 914 mm (36 po).
- Le gril ne doit pas être utilisé sous un toit combustible.

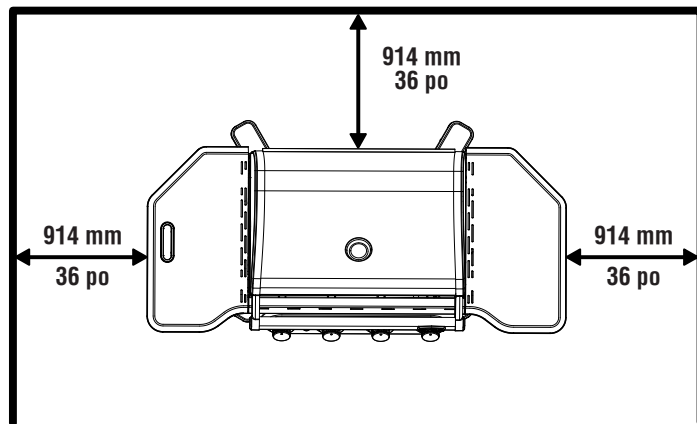


Fig. 1

- Garder l'entourage de cet appareil libre de toute matière combustible, d'essence et de tous autres liquides et vapeurs inflammables.
- Ne pas gêner la circulation d'air de combustion et de ventilation.
- Maintenir les ouvertures de ventilation de la gaine de la bouteille dégagées et libres de tout débris.
- Ce gril ne doit pas être utilisé à des fins commerciales.
- Ne jamais déplacer le gril pendant l'utilisation ou s'il est encore chaud.
- Ne jamais utiliser le gril à l'intérieur. Des vapeurs toxiques peuvent s'accumuler dans la pièce.
- Toujours couper la sortie de gaz sur la bouteille de GPL (le propane liquide est également appelé gaz de pétrole liquéfié) lorsque l'appareil n'est pas utilisé. Débrancher la bouteille avant d'entreposer l'appareil.
- Ne modifier le gril en aucune façon.
- Ne pas utiliser cet appareil s'il n'est pas correctement assemblé et si toutes les pièces ne sont pas bien fixées.
- Ne jamais tenter d'allumer le brûleur lorsque le capot est fermé. L'accumulation de gaz non brûlé dans le gril fermé est dangereuse.
- Avant d'utiliser l'appareil, ouvrir la porte de l'armoire et vérifier l'état du tuyau flexible. Si le tuyau montre des signes d'abrasion ou d'usure excessive, ou s'il est coupé, le remplacer avant d'utiliser le gril. Le tuyau de remplacement doit être conforme aux indications du fabricant de l'appareil.
- Garder les enfants et les animaux domestiques à l'écart pendant l'utilisation de l'appareil.
- Ne pas laisser le gril sans surveillance.
- Ne pas utiliser de charbon de bois, de briquettes de céramique ou de pierres volcaniques dans un gril au gaz.
- En cas d'incendie de graisse, fermer le brûleur. Ne pas tenter d'éteindre ce type d'incendie avec de l'eau. Utiliser un extincteur à poudre de type BC ou étouffer au moyen de terre, de sable, ou d'hydrogénocarbonate de sodium.
- Tenir les cordons d'alimentation électrique et les tuyaux d'alimentation en combustible loin des surfaces brûlantes.
- Ne pas entreposer de bouteilles de GPL de rechange à proximité de l'appareil ou sous celui-ci. En cas de non-respect de ces instructions, un incendie peut entraîner la mort ou des blessures graves.
- Ne jamais remplir la bouteille de GPL au-delà de 80 % de sa capacité. Une bouteille trop remplie ou rangée de façon inappropriée constitue un danger en raison de la possibilité de fuite de gaz provenant de la soupape de sûreté. En cas de non-respect de ces instructions, un incendie peut entraîner la mort ou des blessures graves.
- N'utiliser que des bouteilles de GPL dont la vanne est protégée par un collet.
- Si une fuite est détectée, s'éloigner de la bouteille de GPL et appeler le service des incendies.

RÈGLES DE SÉCURITÉ GÉNÉRALES

- Ce type de gril n'est pas conçu pour une utilisation sur un bateau, dans un VR, dans une caravane ou dans une autocaravane.
- Ne pas utiliser le gril avant d'avoir vérifié et confirmé son étanchéité.
- Procéder à l'inspection et au nettoyage des tubes des brûleurs/buses périodiquement pour en retirer les insectes ou les nids d'insectes. Un tube obstrué peut provoquer un incendie sous le gril.
- Les bouteilles GPL doivent être entreposées à l'extérieur, hors de la portée des enfants. Elles ne doivent pas être entreposées dans un bâtiment, un garage ou un autre espace confiné.
- Ne pas utiliser le gril sous l'influence d'alcool, de drogues ou de médicaments.
- Rester vigilant et garder le contrôle. Se montrer attentif et faire preuve de bon sens. Ne pas utiliser le gril en état de fatigue.

RÈGLES DE SÉCURITÉ PARTICULIÈRES

- Utiliser le gril seulement avec le gaz propane et l'ensemble de régulateur et vanne fourni.
- Vérifier s'il y a des fuites avant d'utiliser le gril. Procéder à cette vérification même si l'appareil a été assemblé au magasin.
- Ne pas utiliser le gril s'il y a une fuite de gaz.
- Ne pas utiliser de flamme pour chercher la provenance d'une fuite de gaz.
- Si le brûleur cesse de fonctionner en cours de cuisson, fermer la vanne de gaz. Ouvrir le capot et attendre 5 minutes avant de tenter de rallumer le gril.
- Ne jamais se pencher vers la surface d'un gril ouvert ni mettre les mains ou les doigts sur une surface chaude.
- Bien nettoyer le gril régulièrement.
- Ne pas obstruer les trous de ventilation qui se trouvent sur les côtés ou à l'arrière du gril.
- Ne jamais essayer d'utiliser un gril ni aucune pièce qui ont été endommagés ou exposés à un incendie.
- Le propane n'est pas du gaz naturel. Ne pas tenter de convertir ce gril au gaz naturel, puisque cela annulera la garantie et que c'est extrêmement dangereux.
- Mettre le capuchon antipoussière sur la sortie de la vanne de la bouteille lorsque celle-ci n'est pas utilisée. Ce barbecue a été fabriqué pour être utilisé avec du gaz propane, sauf si une trousse de conversion approuvée a été installée. Une trousse de conversion (SGA7000) est vendue séparément et est requise pour convertir l'utilisation de ce barbecue au gaz naturel.
- Ne pas entreposer ou utiliser d'essence ou d'autres gaz ou liquides inflammables à proximité du gril ou d'un autre appareil.
- Porter des mitaines ou des gants résistants à la chaleur et employer des ustensiles à long manche pour cuisiner sur le gril.
- Résidents d'immeubles d'habitation : Vérifier auprès des gestionnaires pour connaître les exigences et les codes de prévention des incendies applicables à l'utilisation d'un gril au propane sur les lieux.
- Conserver ces instructions. Les consulter fréquemment et les utiliser pour instruire les autres utilisateurs éventuels. Si ce gril est prêté, il doit être accompagné de ces instructions.

PROPOSITION 65 DE L'ÉTAT DE LA CALIFORNIE

AVERTISSEMENT :

1. Les sous-produits de combustion générés lors de l'utilisation du gril contiennent des substances chimiques reconnues par l'État de la Californie pour causer le cancer, des malformations congénitales et d'autres dommages au système reproducteur. Pour réduire le risque d'exposition à ces substances, toujours utiliser le gril dans un lieu bien ventilé.

2. Cet appareil contient des produits chimiques, notamment du plomb ou des composés de plomb qui, selon l'État de la Californie, peuvent causer le cancer, des anomalies congénitales et d'autres dommages au système reproducteur.




Bien se laver les mains après toute manipulation de ce produit.

Afin de réduire l'exposition à ces substances, toujours utiliser cet appareil conformément au manuel d'utilisation et d'entretien. Ventiler adéquatement les lieux pour toute cuisson au gaz.




Au Massachusetts : L'installation d'appareils au gaz doit être effectuée par un plombier ou un installateur certifié par l'État. Une valve manuelle en T homologuée doit être installée sur le tuyau d'alimentation de l'appareil. Cette exigence s'applique aux appareils au gaz naturel et au propane installés de façon permanente. Elle ne s'applique pas aux installations portatives au propane utilisant une bouteille de 9,09 kg (20 lb).

SYMBOLES

Les termes de mise en garde suivants et leur signification ont pour but d'expliquer le degré de risques associé à l'utilisation de ce produit.

SYMBOLE	SIGNAL	SIGNIFICATION
	DANGER :	Indique une situation extrêmement dangereuse qui, si elle n'est pas évitée, aura pour conséquences des blessures graves ou mortelles.
	AVERTISSEMENT :	Indique une situation potentiellement dangereuse qui, si elle n'est pas évitée, pourrait entraîner des blessures graves ou mortelles.
	ATTENTION :	Indique une situation potentiellement dangereuse qui, si elle n'est pas évitée, pourrait entraîner des blessures légères ou de gravité modérée.
	AVIS :	(Sans symbole d'alerte de sécurité) Indique une information importante ne concernant pas un risque de blessure comme une situation pouvant occasionner des dommages matériels.

Certains des symboles ci-dessous peuvent être utilisés sur produit. Veiller à les étudier et à apprendre leur signification. Une interprétation correcte de ces symboles permettra d'utiliser produit plus efficacement et de réduire les risques.

SYMBOLE	NOM	DÉSIGNATION / EXPLICATION
	Symbole d'alerte de sécurité	Indique un risque de blessure potentiel.
	Lire le manuel d'utilisation	Pour réduire les risques de blessures, l'utilisateur doit lire et veiller à bien comprendre le manuel d'utilisation avant d'utiliser ce produit.
	Surface brûlante	Pour éviter les risques de blessures ou de dommages, éviter tout contact avec les surfaces brûlantes.

CARACTÉRISTIQUES

FICHE TECHNIQUE

Puissance BTU 48 000
Surface de grillage principale 450 pouce carré;
..... 654 mm x 444,5 mm (25,75 po x 17,5 po)
Réchaud 150 pouce carré;
..... 622,3 mm x 152,4 (24,5 po x 6 po)

Surface totale du grill 600 pouce carré
Hauteur de la surface de grillage 34,5 po
Source de combustible propane (non compris)
Natural gas convertible Oui
[trousse de conversion (SGA7000) est vendue séparément]

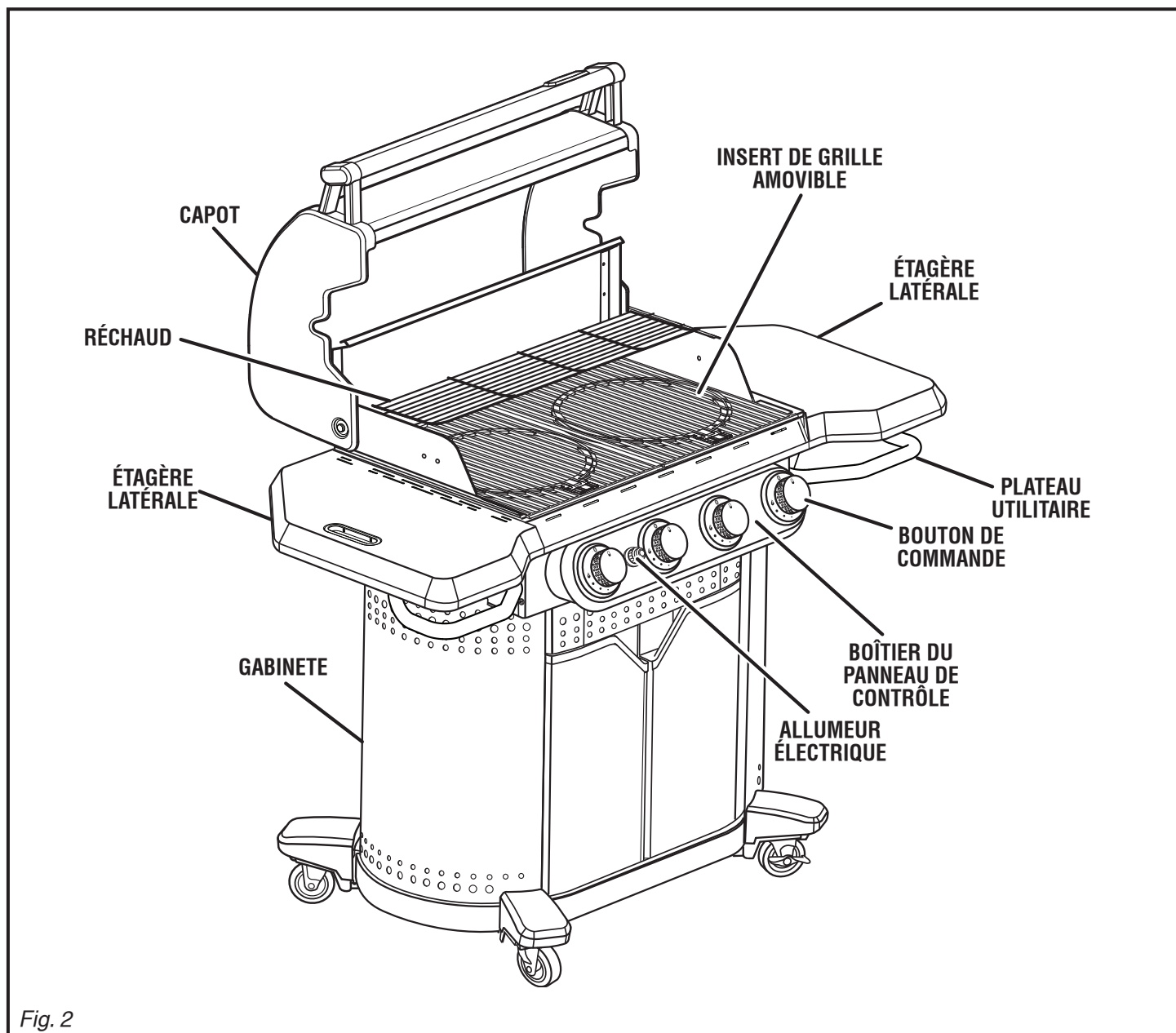


Fig. 2

CARACTÉRISTIQUES

CONNAÎTRE SON GRIL

Voir la figure 2.

L'utilisation sûre de ce gril exige une compréhension des renseignements figurant sur gril et contenus dans le manuel d'utilisation, ainsi qu'une bonne connaissance du projet entrepris. Avant d'utiliser ce gril, se familiariser avec toutes ses caractéristiques et règles de sécurité.

ARMOIRE - L'armoire en acier à deux portes se déplace facilement en roulant d'un endroit à un autre. La base de l'armoire comporte une découpe pour supporter la bouteille de GPL.

ALLUMEUR ÉLECTRIQUE - L'allumeur utilise une pile AA qui allume les brûleurs à gaz quand il est enfoncé.

PANNEAU DE COMMANDE FRONTAL - Contrôler les niveaux de chaleur à partir de l'avant du gril à l'aide des boutons de commande.

OUTIL DE RETRAIT D'INSERTS - Permet de facilement placer ou retirer toute une variété d'inserts STOK.

PORTE-INSERT - Le porte-insert à l'intérieur de l'armoire stocke la pierre à pizza et jusqu'à ce que l'on en ait besoin.

PIERRE À PIZZA - Confectionner une pizza de qualité de four à brique à l'aide du gril et de la pierre à pizza en céramique poreuse. La pierre à pizza absorbe la chaleur pour promouvoir une cuisson uniforme. La pierre se décolore avec le temps mais ceci n'affectera en rien sa performance.

INSERTS DE GRILLES AMOVIBLES - Retirer une ou deux grilles en fonte ronde recouverte de porcelaine pour pouvoir utiliser la pierre à pizza ou d'autres insertions (vendues séparément).

TABLETTES LATÉRALES - Les tablettes latérales offrent des surfaces plates pour commodité.

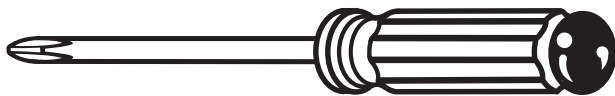
SUPPORT À ÉPICE - Garder les épices à portée de la main en le entreposant dans le support à épice pratique et réglable attaché sur l'intérieur de la porte de l'armoire.

JAUGE DE TEMPÉRATURE - La jauge de température dans le capot mesure la température de l'air à l'intérieur du gril. La température de l'air est toujours inférieure à la température de la surface de cuisson.

PLATEAU DE RÉCHAUFFAGE - Situé à l'intérieur du capot, le plateau de réchauffage conserve les aliments cuits au chaud jusqu'au moment de servir.

OUTILS NÉCESSAIRES

Les outils suivants (non inclus ou dessiné pour escalader) sont nécessaires pour effectuer l'assemblage et les réglages :



TOURNEVIS PHILLIPS



CLÉ A MOLETTE

Fig. 3

PIÈCES DÉTACHÉES

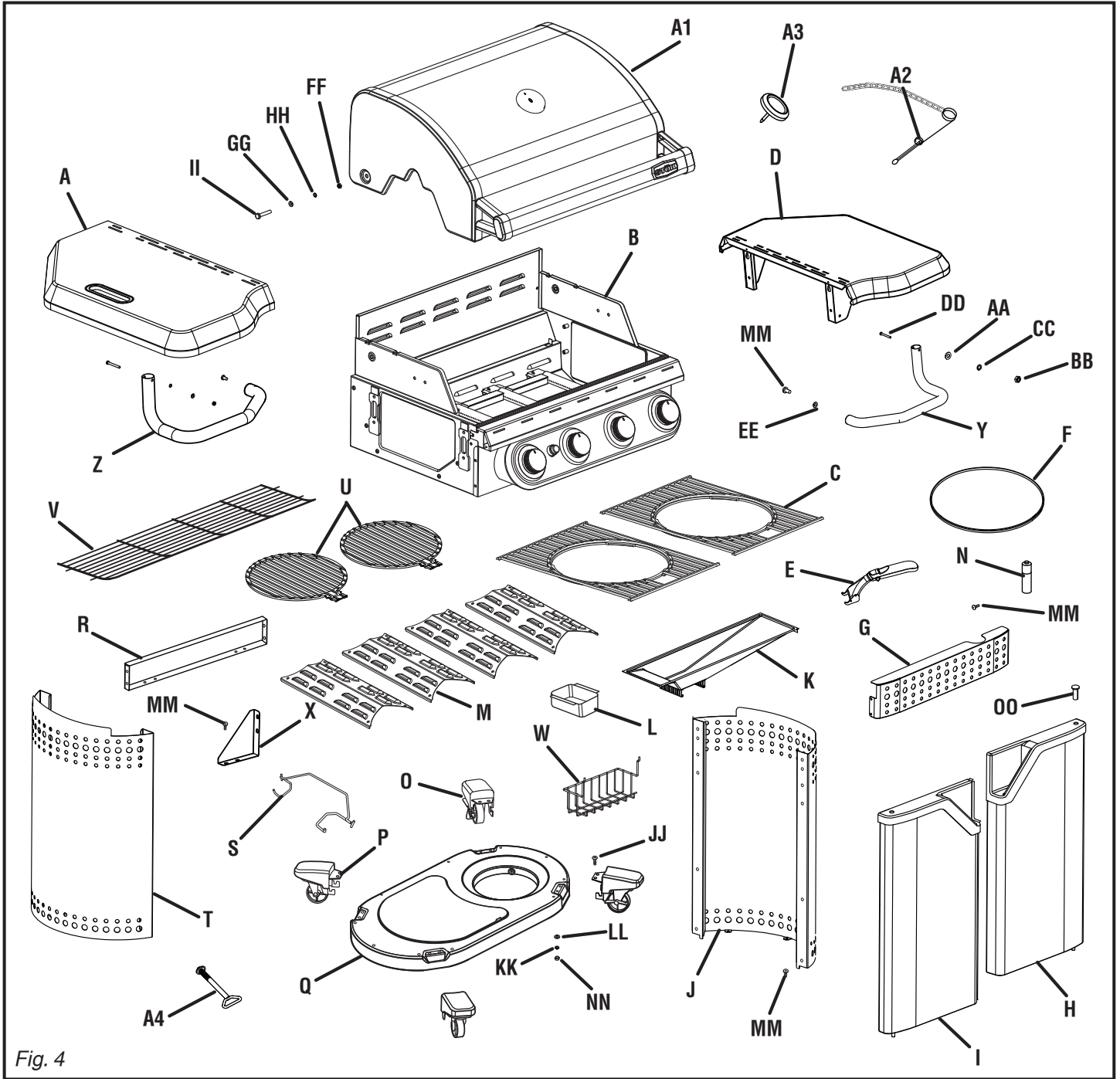


Fig. 4

PIÈCES DÉTACHÉES

Description	Qté	Description	Qté
A - Étagère latérale (gauche).....	1	SACHET BUILLE DE QUINCAILLERIE	
B - Assemblage de la boîte à feu.....	1	AA - Rondelles frein, M4.....	2
C - Grille	2	BB - Écrous six pans, M4	2
D - Étagère latérale (droit)	1	CC - Rondelle, M4.....	2
E - Outil de retrait d'inserts.....	1	DD - Boulon, M4 x 40 mm	2
F - Pierre à pizza.....	1	EE - Rondelle plate SS	1
G - Panneau droit.....	1	FF - Écrous de capot, M6	2
H - Porte (droit).....	1	GG - Rondelle M6.....	2
I - Porte (gauche).....	1	HH - Rondelles frein, M6.....	2
J - Panneau du côté (droit).....	1	II - Boulon de capot, M6	2
K - Plateau à graisse	1	JJ - Boulon, M6 x 15	8
L - Godet à graisse.....	1	KK - Rondelles frein	8
M- Plaque de distribution de chaleur	4	LL - Rondelle, M6.....	8
N - Pile AA.....	1	MM- Boulon, M5 x 12 mm	36
O - Ensemble de roulettes verrouillables (droit de base)	2	NN - Écrous six pans, M6	8
P - Ensemble de roulettes (gauche de base).....	2	OO - Clavette.....	2
Q - Panneau inférieur	1		
R - Panneau arrière	1		
S - Porte-insert	1		
T - Panneau du côté (gauche)	1		
U - Insert de grille amovible	2		
V - Réchaud.....	1		
W- Support d'épice	1		
X - Renfort	4		
Y - Barre polyvalente (droite)	1		
Z - Barre polyvalente (gauche).....	1		
A1- Assemblage du capot	1		
A2- Porte-allumette.....	1		
A3- Ensemble de thermomètre.....	1		
A4- Boulon de retenue de la bouteille/rondelle/vis.....	1		

ASSEMBLAGE

DÉBALLAGE

Ce produit doit être assemblé.

- Sortir soigneusement la grille du carton et la poser sur un plan de travail horizontal.

NOTE : Cet grille est lourd. Pour éviter des problèmes lombaires, garder les genoux pliés, soulever avec les jambes, pas avec le dos et demander de l'aide lorsque nécessaire.

AVERTISSEMENT :

Ne pas utiliser le produit si, en le déballant, vous constatez que des éléments figurant dans la liste des pièces détachées sont déjà assemblés. Certaines pièces figurant sur cette liste n'ont pas été assemblées par le fabricant et exigent une installation. Le fait d'utiliser un produit qui a été assemblé de façon inadéquate peut entraîner des blessures.

- Inspeccione cuidadosamente la grille para verificar que no haya sufrido ninguna rotura o daño durante el transporte.
- Ne pas jeter les matériaux d'emballage avant d'avoir soigneusement examiné grille, s'être assuré qu'aucune pièce ne manque et avoir procédé à un essai satisfaisant.

NOTE : Certaines pièces détachées se trouvent à l'intérieur du grille sous le capot.

- Si des pièces manquent ou sont endommagées, téléphoner au 1-800-847-5993.

AVERTISSEMENT :

Si des pièces manquent ou sont endommagées, ne pas utiliser ce produit avant qu'elles aient été remplacées. Le fait d'utiliser ce grille même s'il contient des pièces endommagées ou s'il lui manque des pièces peut entraîner des blessures graves.

ATTENTION :

Certaines pièces ont des bords tranchants susceptibles de provoquer des blessures personnelles. Porter des gants de protection si besoin est.

ÉTAPE 1 : INSTALLATION DE BOULON DE FIXATION DU RÉSERVOIR ET L'ENSEMBLE DE ROULETTES

Voir la figure 5.

- Utiliser un tournevis à tête cruciforme pour retirer la vis située à l'extrémité du boulon. Retirer la rondelle.
- Insérer le boulon dans le trou et le visser sur l'écrou fixé à la base. Tourner le boulon vers la droite jusqu'à ce que l'extrémité s'insère dans l'écrou.

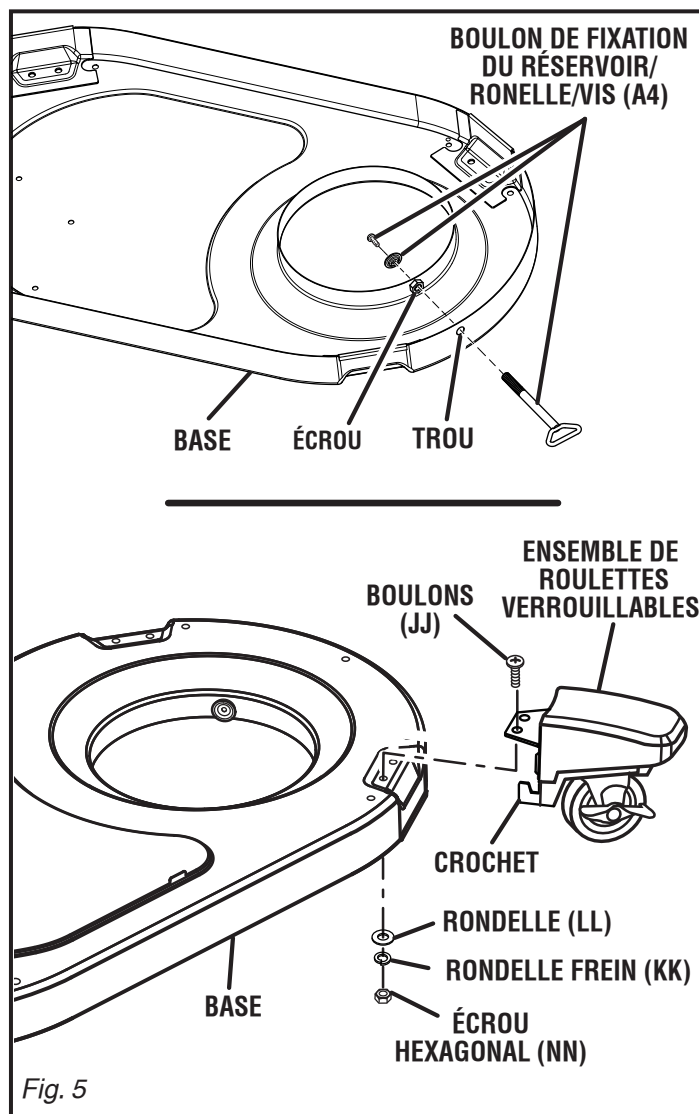


Fig. 5

- Réinstaller la rondelle et la vis sur le boulon et serrer fermement la vis.

La droite de la base possède une découpe circulaire où est placée la bouteille de propane. Les deux ensembles de roulettes verrouillables doivent être installés sur la droite de la base.

- Incliner l'ensemble de roulettes de manière à ce que le crochet sur le dessous de la roulette puisse être placé sous la base.
- Tout en conservant le crochet sous la base, incliner l'arrière de l'ensemble de roulette jusqu'à ce que les trous dans l'ensemble de roulette s'alignent sur les trous de la base.
- Faire glisser les boulons (2), M6 x 15 mm (JJ), à travers la languette sur l'arrière de l'ensemble de roulette et dans la base.
- À l'aide des rondelles (LL), des rondelles frein (KK) et des écrous hexagonaux, M6 (NN), bien serrer l'ensemble de roulette sur la base.
- Répéter pour les trois autres ensembles de roulettes.
- Mettre la base sur une surface plate.

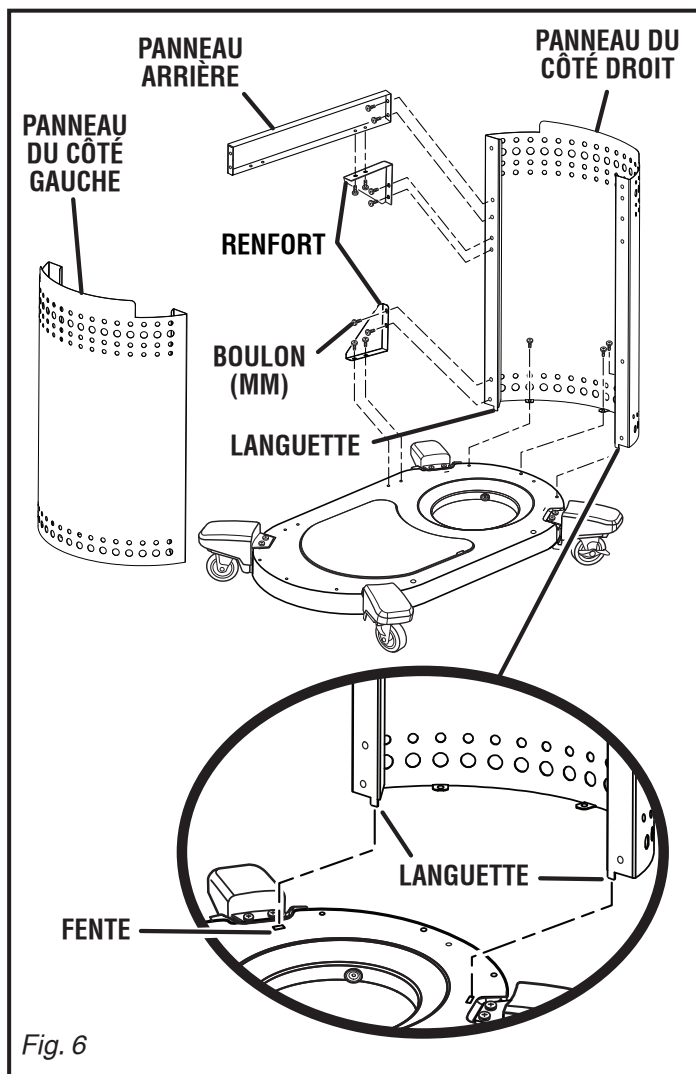


Fig. 6

ÉTAPE 2 : ASSEMBLAGE DES PANNEAUX LATÉRAUX SUR LA BASE

Veja la figura 6.

- Faire glisser les languettes dans les fentes puis posez le panneau sur la base en alignant les trous sur les languettes au dessous du panneau latéral droit avec les trous sur la gauche de la base.
- Faire glisser les boulons, M5 x 12 mm (MM) trois de chaque côté, à travers la languette et dans la base. Bien serrer.
- Répéter les étapes ci-dessus pour installer le panneau latéral gauche.

ÉTAPE 3 : ASSEMBLAGE DE RENFORT ET DES PANNEAUX ARRIÈRE

Voir les figures 6 - 7.

Installation du panneau arrière :

- Placer deux boulons, M5 x 12 mm (MM), à travers le côté du panneau arrière et dans le panneau latéral. Bien serrer. Répéta pour l'autre côté.

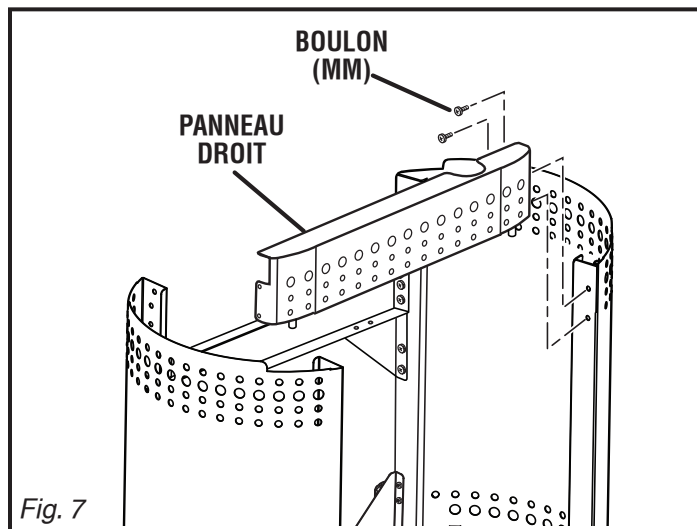


Fig. 7

Installation le renforts :

- Fixer deux renforts à la base et les panneaux arrière qui utilisent M5 x 12 mm boulons (MM). Bien serrer.
- Fixer le rester deux renforts au côté et les panneau arrière qui utilisent M5 x 12 mm boulons (MM). Bien serrer.

Installation du panneau avant :

- À partir du devant de la base, aligner les trous du panneau avant sur les trous en haut des panneaux latéraux.
- Fixer le panneau avant aux panneaux latéraux à l'aide de quatre boulons, M5 x 12 mm (MM).

ÉTAPE 4 : FIXATION DU PORTE-INSERT SUR LA BASE

Voir la figure 8.

- Insérer le cadre à ressort du rangement d'insertions dans les trous situés à l'intérieur de l'armoire.
- Ajouter d'autres supports de rangement si nécessaire.

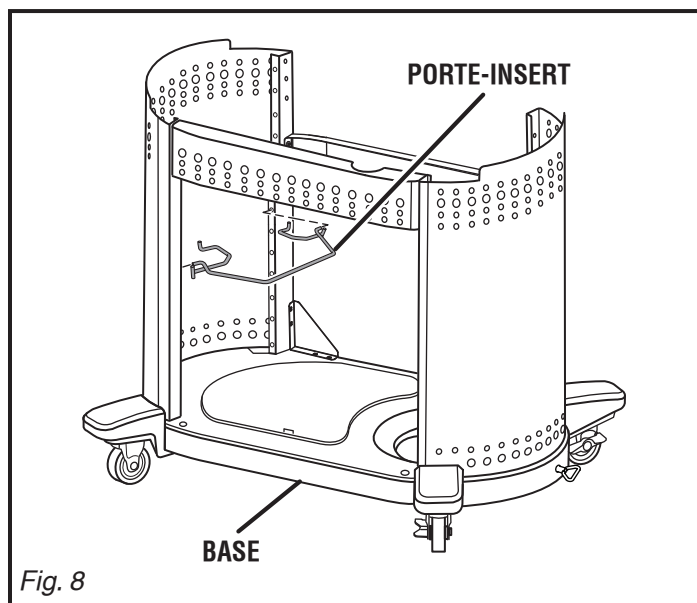


Fig. 8

ASSEMBLAGE

ÉTAPE 5 : MONTAGE DE LA BOÎTE À FEU À L'ARMOIRE

Voir la figure 9.

NOTE : Cette étape requiert deux personnes pour soulever et positionner correctement le grill sur l'armoire.

- Abaisser l'assemblage de boîte à feu dans l'armoire et aligner les trous de la boîte à feu avec les trous de l'armoire.

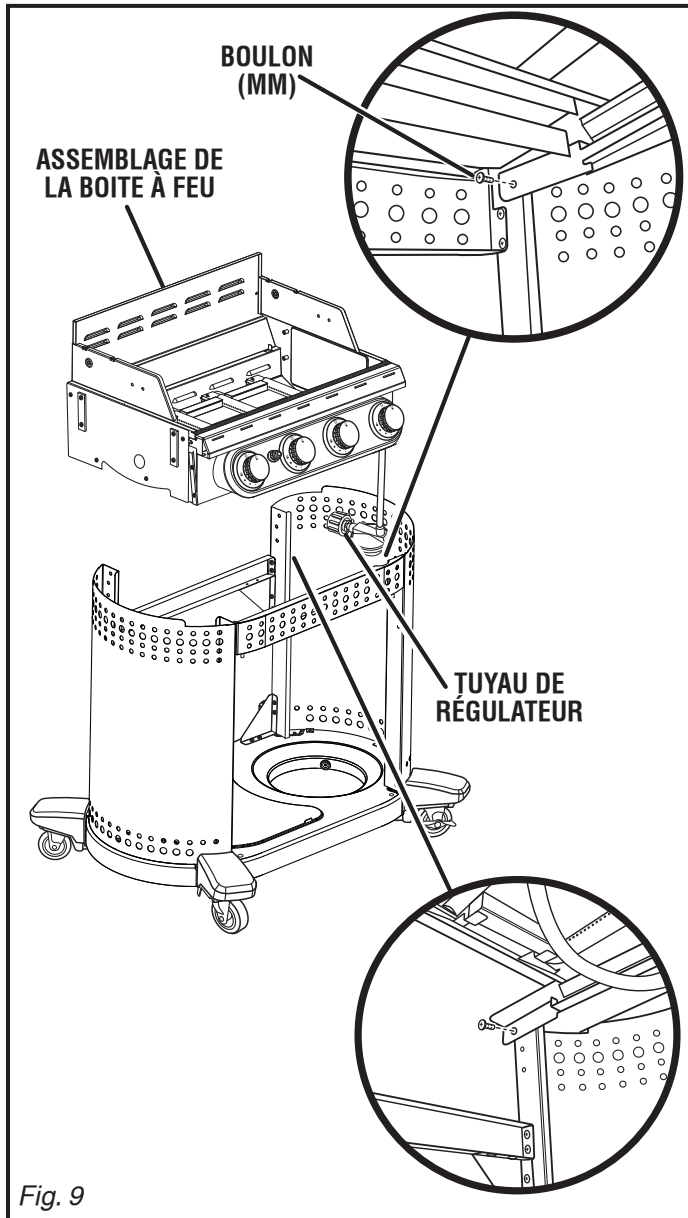
NOTE : Le tuyau du régulateur doit pendre à l'intérieur de l'armoire; faire attention de ne pas l'endommager.

- À l'aide de quatre boulons, M5 x 12 mm (MM), un dans chaque coin, fixer le grill sur l'armoire.

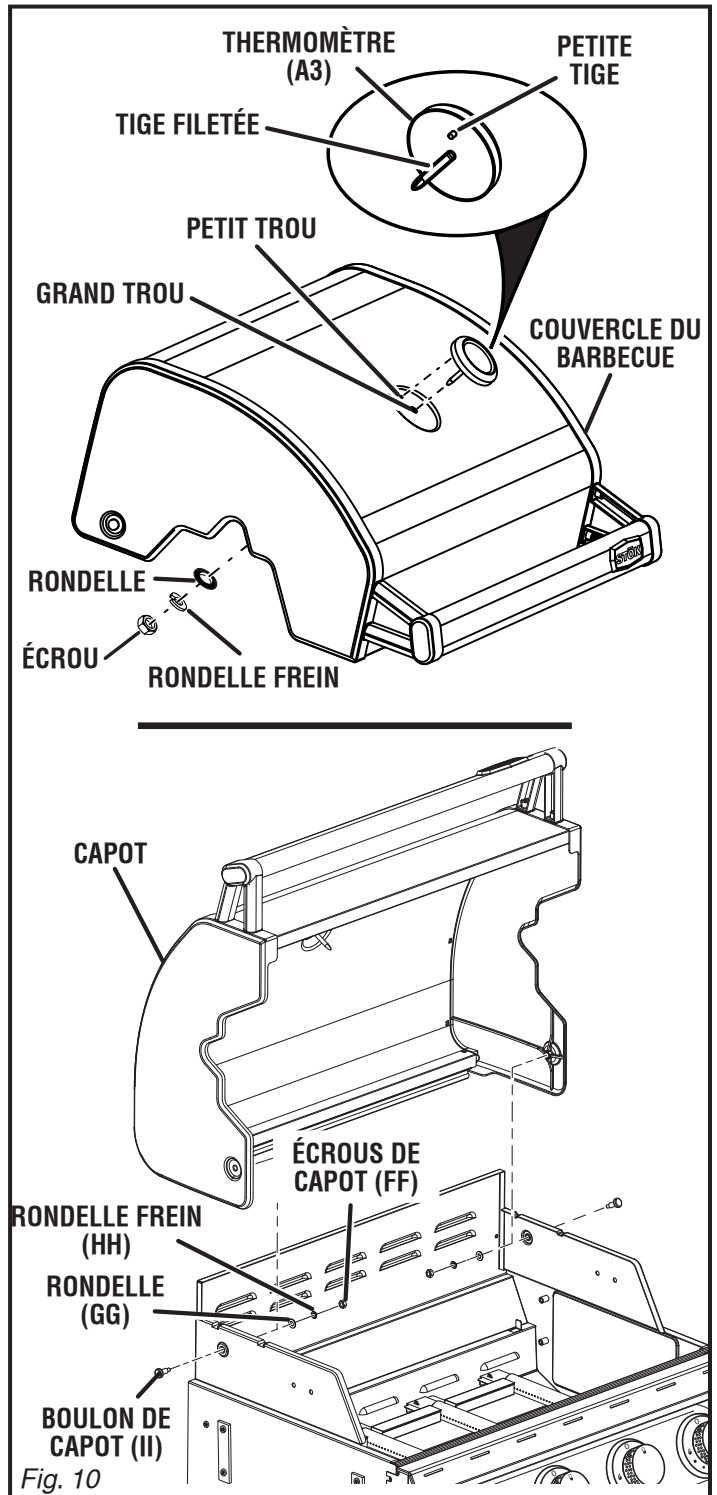
ÉTAPE 6 : INSTALLATION DU CAPOT À LA BOÎTE À FEU

Voir la figure 10.

- Pour installation du thermomètre, retirer l'écrou hexagonal, la rondelle frein et la rondelle du thermomètre.
- Insérer la grosse tige filetée dans le grand trou du couvercle et insérer la petite tige dans le petit trou du couvercle.



- Insérer la rondelle, la rondelle frein et l'écrou hexagonal sur la tige. Serrer fermement.
- Aligner les trous du capot avec les trous de la boîte à feu.
- Insérer le boulon de capot (II) dans le trou du capot et dans le trou de la boîte à feu.
- Insérer la rondelle frein (GG) et la rondelle (HH) sur le boulon de capot.
- Serrer fermement les écrous de capot (FF).



ASSEMBLAGE

ÉTAPE 7 : INSTALLATION DES PLAQUES DE DISTRIBUTION DE CHALEUR

Voir la figure 11.

Les plaques de distribution de chaleur servent à répartir uniformément la chaleur à l'intérieur du gril. Ne pas griller sans les plaques de distribution de chaleur installées.

- Relever complètement le capot.
- Placer avec précaution les plaques de distribution de chaleur sur les brûleurs à gaz.

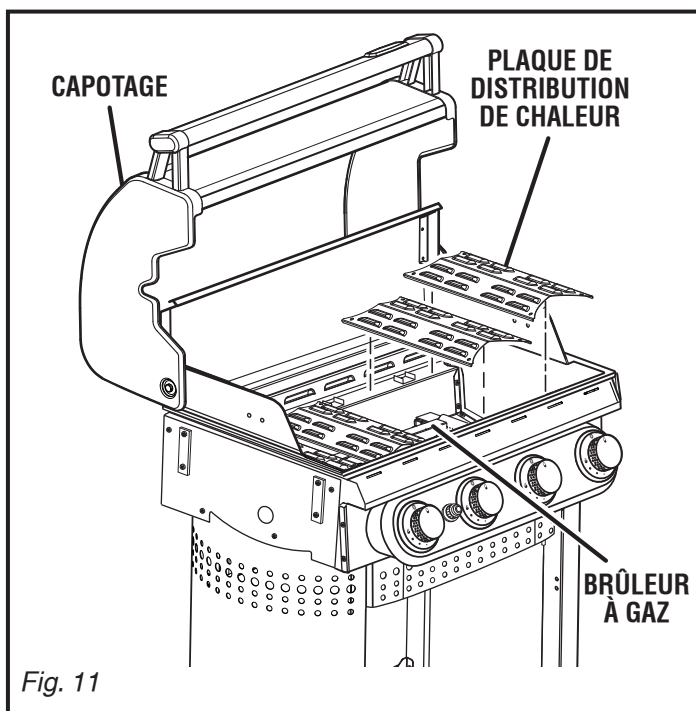


Fig. 11

ÉTAPE 8 : INSTALLATION DES GRILLES ET INSERTS DE GRILLES

Voir les figures 12 - 13.

- Relever complètement le capot.
- Déposer soigneusement les grilles à l'intérieur de l'ensemble de gril.
- Poser un insert de grille rond dans le trou de chacune des grilles.

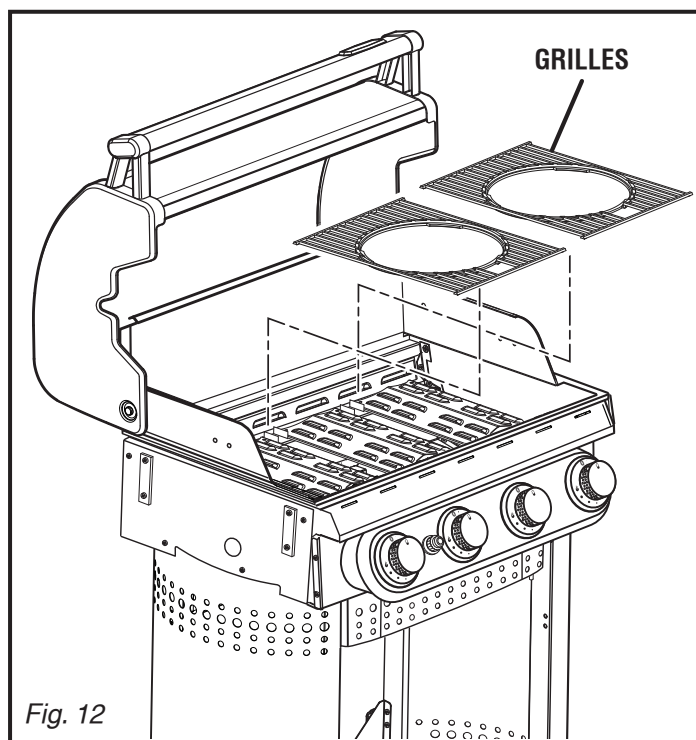


Fig. 12

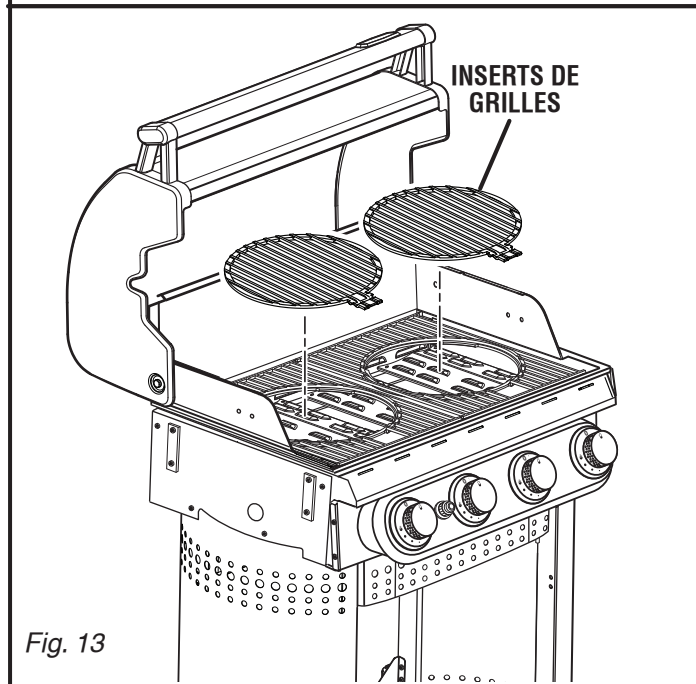


Fig. 13

ASSEMBLAGE

ÉTAPE 9 : INSTALLATION DU PLATEAU DE RÉCHAUFFAGE

Voir la figure 14.

- Relever complètement le capot.
- Déposer la grille-réchaud dans les rainures de chaque côté du capot et bloquer dans les trous arrière du pilote, comme illustré.

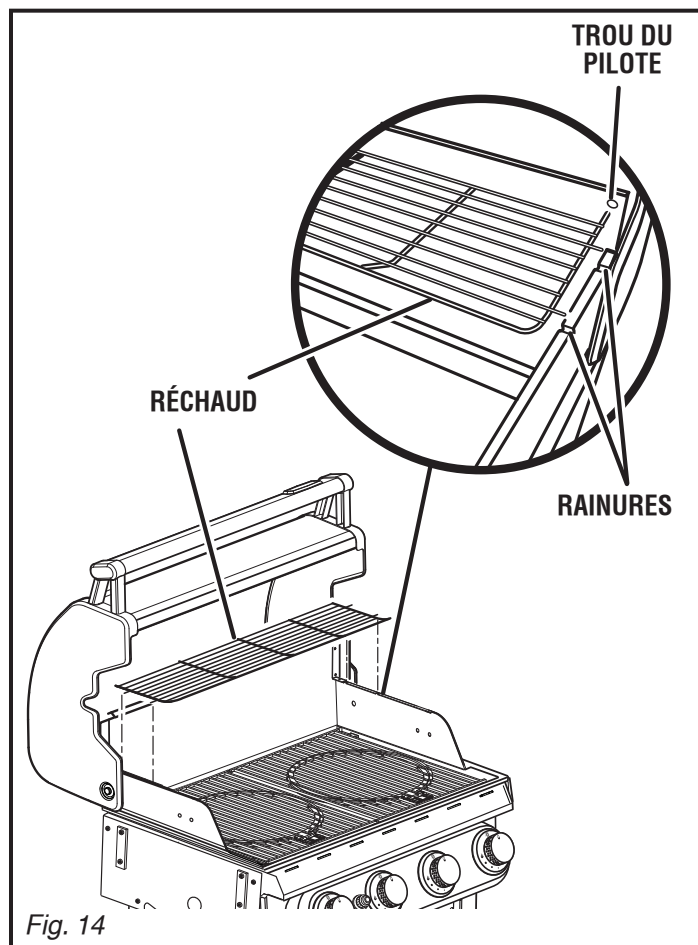


Fig. 14

ÉTAPE 10 : INSTALLATION DES TABLETTES LATÉRALES

Voir la figure 15 - 16.

Pour installer la barre polyvalente à la tablette latérale :

- Aligner les trous de la barre polyvalente avec les trous de la tablette latérale.
- Insérer un boulon M5 x 12 mm (MM) dans le trou du support de fixation et à l'extrémité de la barre.
- Pour la tablette latérale droite seulement, placer la chaîne du porte-allumette et la rondelle (GG) entre la barre polyvalente et le support de fixation.
- Insérer un boulon M4 x 40 mm (DD) dans les trous et la barre. Insérer la rondelle frein (AA) et la rondelle (CC) sur le boulon. Visser fermement l'écrou hexagonal (BB).

Pour installer la tablette latérale :

- Retirer la vis inférieure des entretoises situées de chaque côté de la boîte à feu.

- Dévisser la vis supérieure des entretoises.
- Glisser la fente piriforme de la tablette latérale par-dessus les vis supérieures.
- Aligner les trous au bas des entretoises avec les trous inférieurs de la tablette latérale.
- Sécuriser avec les vis retirées à l'étape précédente et serrer la vis supérieure.

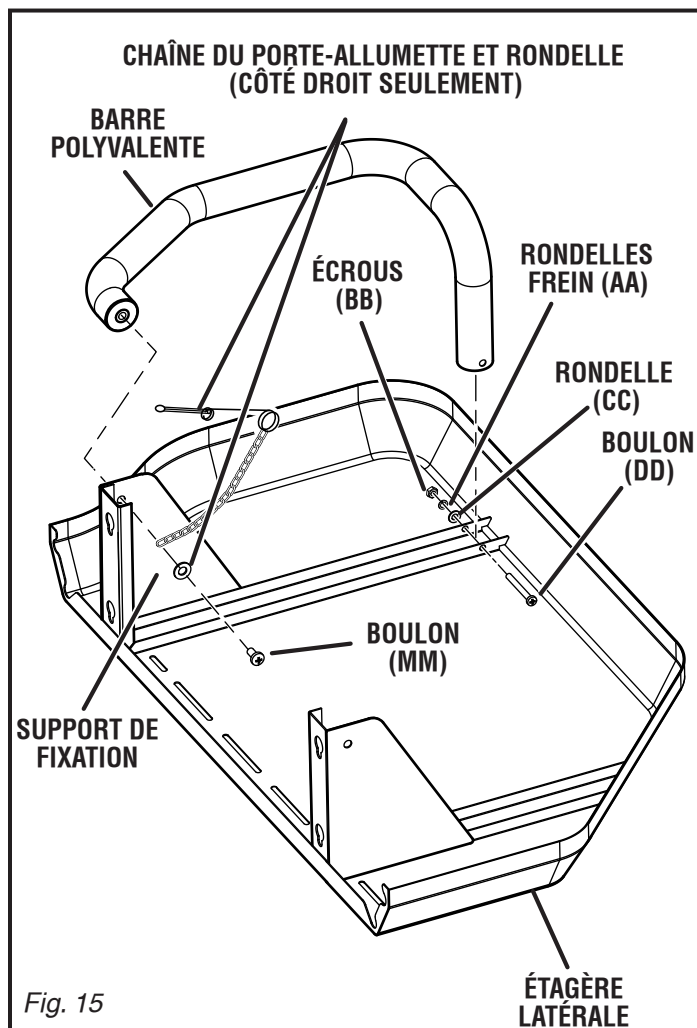


Fig. 15

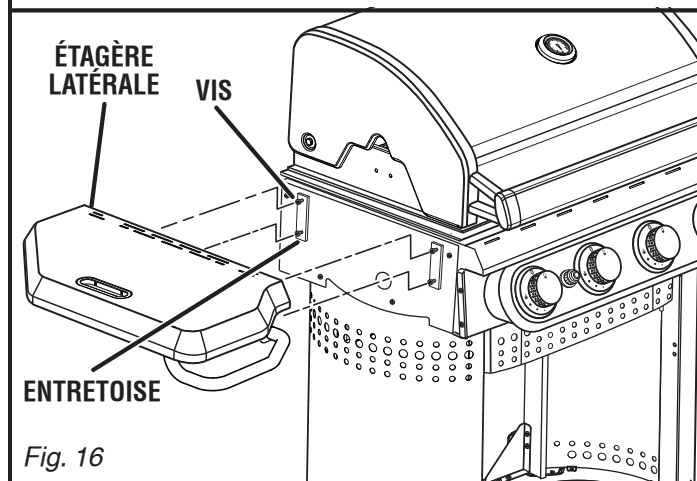
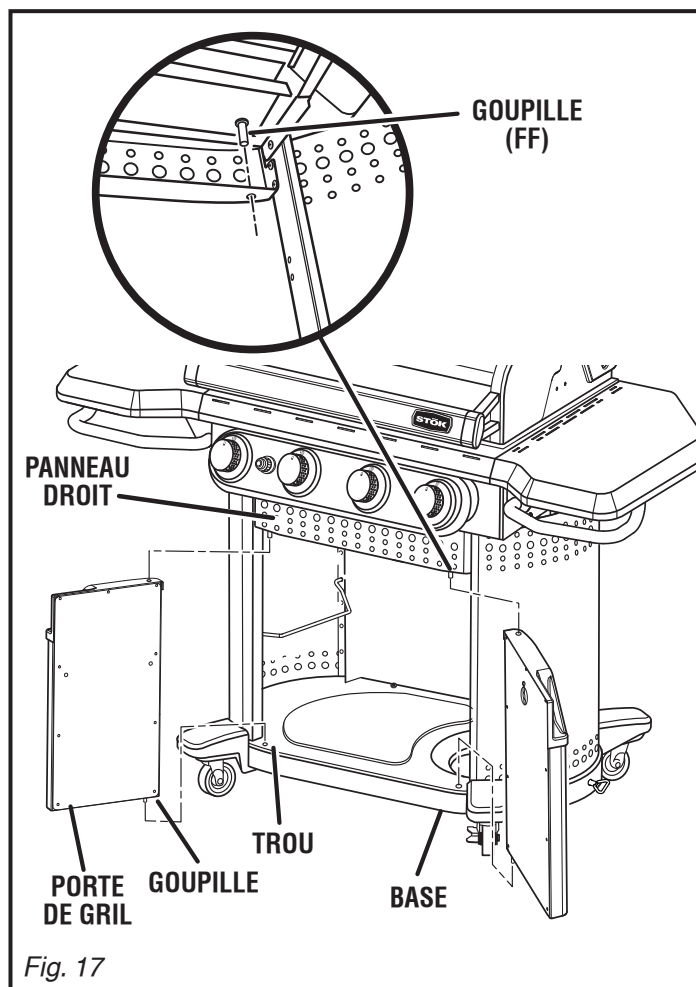


Fig. 16

ÉTAPE 11 : INSTALLATION DES PORTES DU GRIL

Voir la figure 17.

- En maintenant bien la porte du grill (gauche), faire glisser la goupille du bas de la porte dans le trou de la base de l'armoire.
- Aligner le trou du haut de la porte sur le trou (gauche) dans le panneau avant.
- De l'intérieur de l'armoire, faire glisser la goupille de localisation (FF) dans le trou du panneau avant et à travers le trou du haut de la porte de grill.
- Répéter les étapes ci-dessus pour la porte de grill droite.

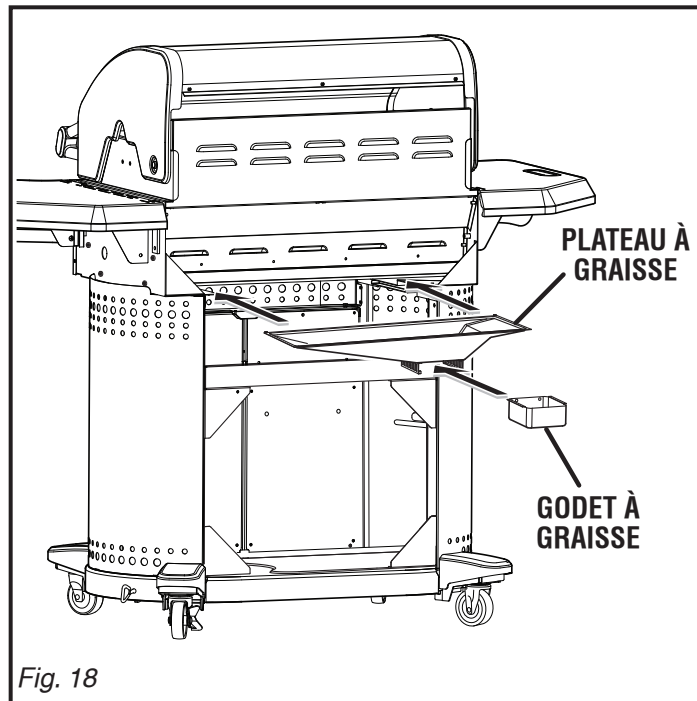


ÉTAPE 12 : INSTALLATION DU PLATEAU ET DU GODET À GRAISSE

Voir la figure 18.

- De l'arrière du grill, faire glisser le plateau à graisse dans les supports de plateau.
- Une fois le plateau à graisse fermement en place, faire glisser le godet à graisse dans le porte-godet sur le fond du plateau à graisse.

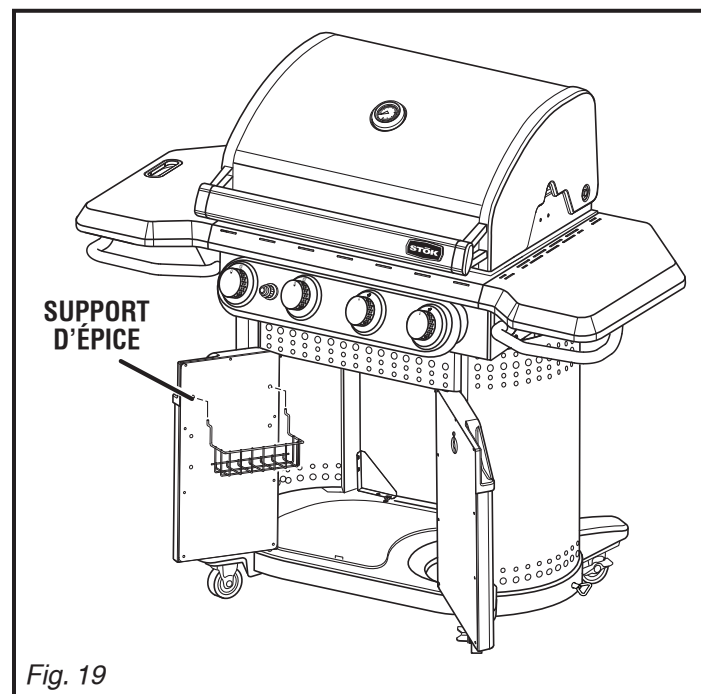
NOTE : Nettoyer le plateau et le godet à graisse après chaque utilisation. Ne retirer ni le plateau ni le godet à graisse avant que le grill soit complètement refroidi.



ÉTAPE 13 : FIXATION DU PORTE-ÉPICES SUR LA PORTE DU GRIL

Voir la figure 19.

- Incliner le porte-épices inférieur de manière à ce que le support métallique et les trous dans la porte de grill gauche s'alignent.
- Placer le support dans les trous et laisser le porte-épices reposer contre l'intérieur de la porte.

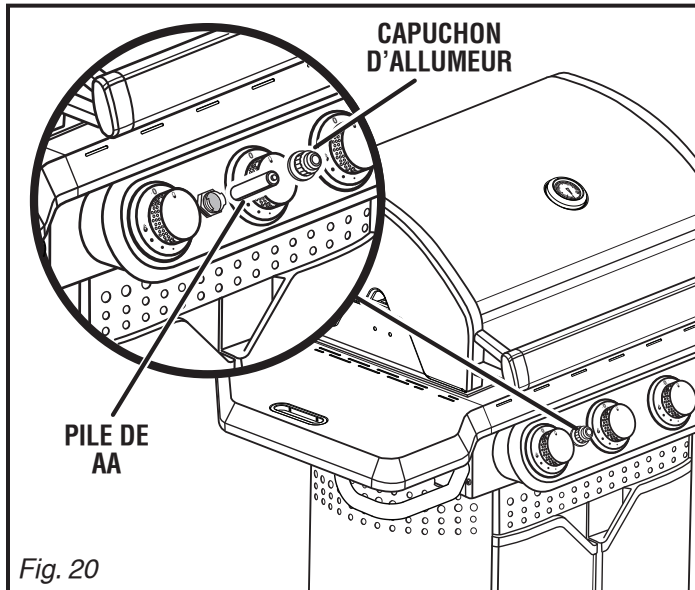


ASSEMBLAGE

ÉTAPE 14 : INSTALLATION DE LA PILE DANS L'ALLUMEUR

Voir la figure 20.

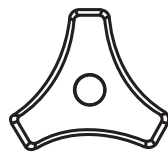
- Tourner le capuchon de l'allumeur dans le sens contraire des aiguilles d'une montre et soulevez le capuchon du panneau de commande.
- Glisser une pile AA, l'extrémité négative (-) en premier, dans l'allumeur. Veiller à ce que le ressort soit toujours en place à l'intérieur du capuchon de l'allumeur.
- Remettre le capuchon de l'allumeur.



UTILISATION DU GPL (PROPANE LIQUIDE ÉGALEMENT APPELÉ PÉTROLE LIQUIDE)

Le propane est hautement inflammable et risque de s'enflammer de manière imprévue quand mélangé à l'air. La bouteille de GPL utilisée avec ce gril doit répondre aux exigences suivantes :

- Construite et marquée conformément aux *Specifications for LP Gas Cylinders* du U.S. Department of Transportation (D.O.T.) ou du National Standard of Canada, *CAN/CSA-B339, Cylinders, Spheres, and Tubes for Transportation of Dangerous Goods; and Commission.*
- Dimensions : 304,8 mm (12 po) de diamètre x 457,2 mm (18 po) de hauteur avec capacité maximum de 9,09 kg (20 lb).
- La vanne de bouteille doit avoir :
 - Dispositif de connexion de bouteille (Type 1) compatible avec le connecteur pour le gril
 - Soupape de sûreté-décharge
 - Dispositif de protection de trop-plein homologué UL (OPD). Cette fonction de sécurité OPD est identifiée par un volant unique triangulaire. Utiliser uniquement les bouteilles de propane ayant ce type de soupape.



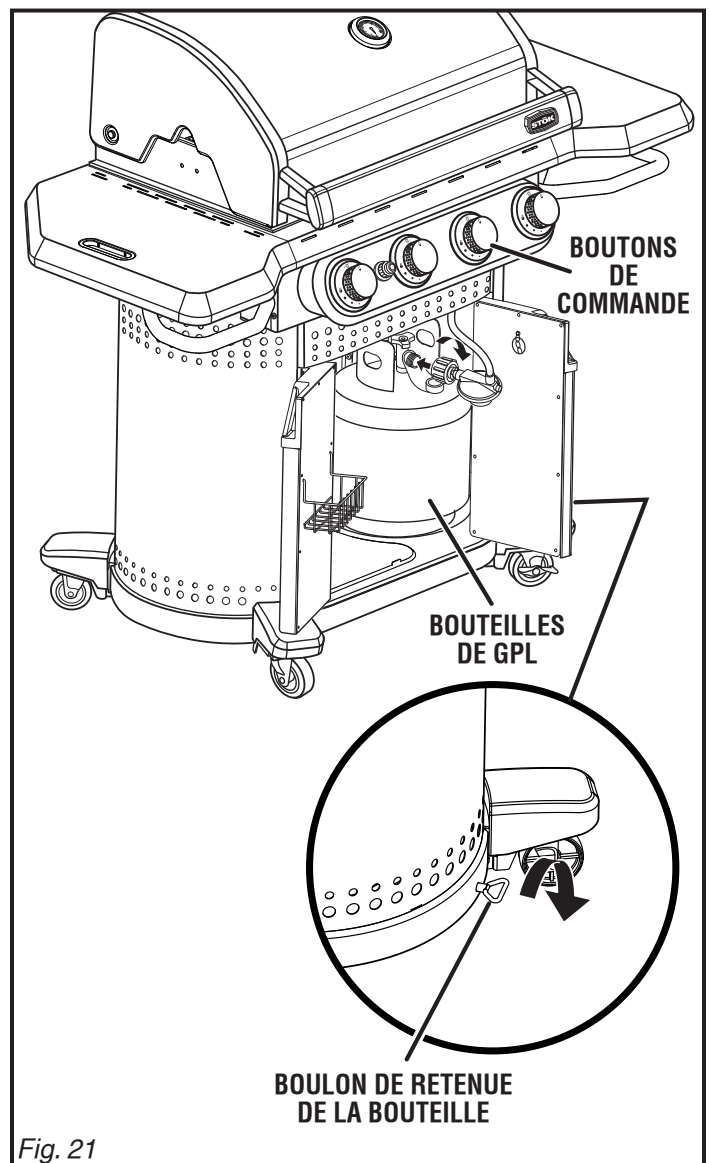
OPD VOLANT

- Aménagé pour le retrait de la vapeur et inclut une collerette pour protéger la vanne de bouteille de GPL. Conserver toujours la bouteille de GPL en position verticale pendant l'utilisation, le transport ou l'entreposage.

ÉTAPE 15 : CONNEXION DU RÉGULATEUR À LA BOUTEILLE DE GPL

Voir les figures 21 - 24.

- Ouvrir les portes de l'armoire.
- Assurer que volant est dans son position d'arrêt.
- Les genoux pliés et en position de levage correcte, soulever soigneusement la bouteille de GPL. Mettre la bouteille dans la base avec le dessous de la bouteille bien placé dans la découpe dans la base.
- Tourner le boulon de retenue de la bouteille dans le sens des aiguilles d'une montre jusqu'à ce que la bouteille soit bien sécurisée dans la base. Ne pas serrer excessivement.
- Retirer le capuchon de la bouteille de GPL.
- Maintenir le régulateur fermement et insérer le mamelon dans la vanne de la bouteille de gaz.



ASSEMBLAGE

NOTE : Le mamelon doit être centré dans la vanne de la bouteille.

- En maintenant l'écrou de raccordement et le régulateur comme il l'est indiqué, tourner l'écrou de raccordement dans le sens des aiguilles d'une montre et serrer à la main en prenant soin de ne pas fausser le filetage de la connexion. Ne pas utiliser d'outils.

NOTE : Le régulateur se scellera dans la vanne de la bouteille résultant en une certaine résistance. **Il faudra tourner de un-demi à trois-quarts de tour pour terminer la connexion.** Si l'on ne peut pas terminer la connexion, déconnecter et refaire les deux étapes ci-dessus. Si l'on ne peut toujours pas terminer la connexion, **NE PAS UTILISER** ce régulateur!

- Inspecter les connexions de soupape transportent et le régulateur. Inspecter les connexions de soupape transportent et le régulateur. Chercher n'importe quels dommages ou n'importe quel débris. Enlever n'importe quel débris. Inspecter le tuyau pour les dommages. **Jamais la tentative à nous avons endommagé ou avons bouché de l'équipement. Voir votre Négociant local de Gaz de LP pour les réparations.**

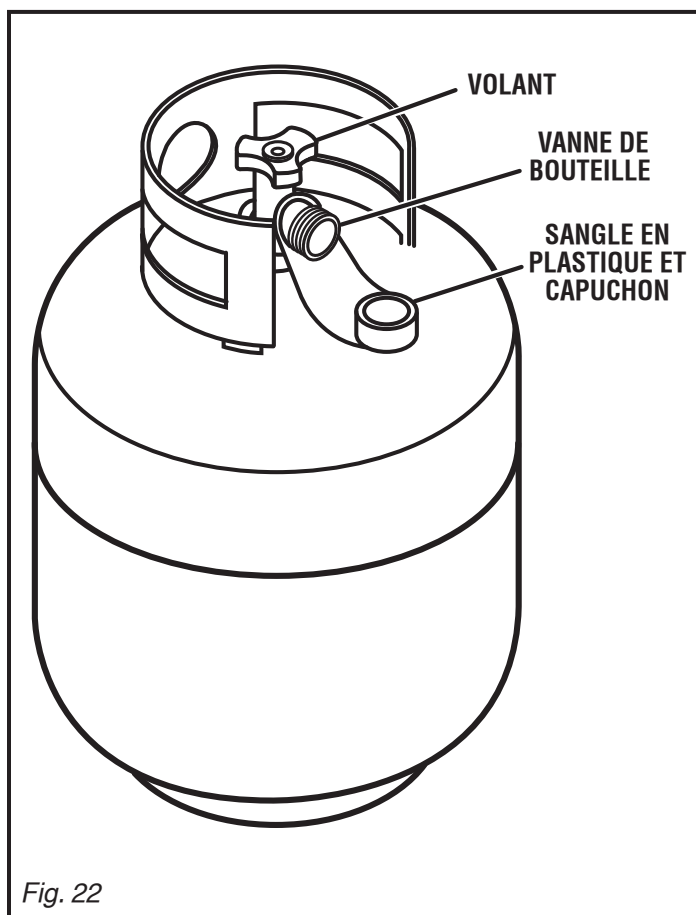


Fig. 22

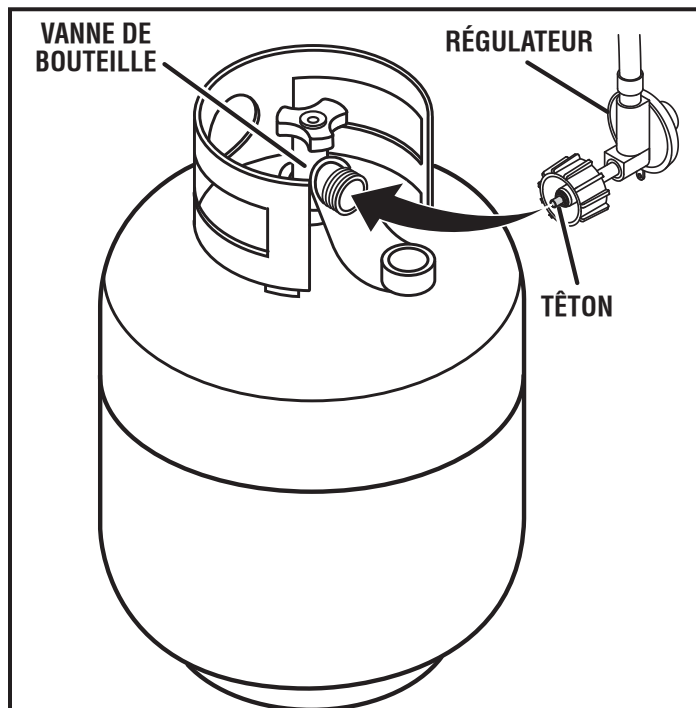


Fig. 23

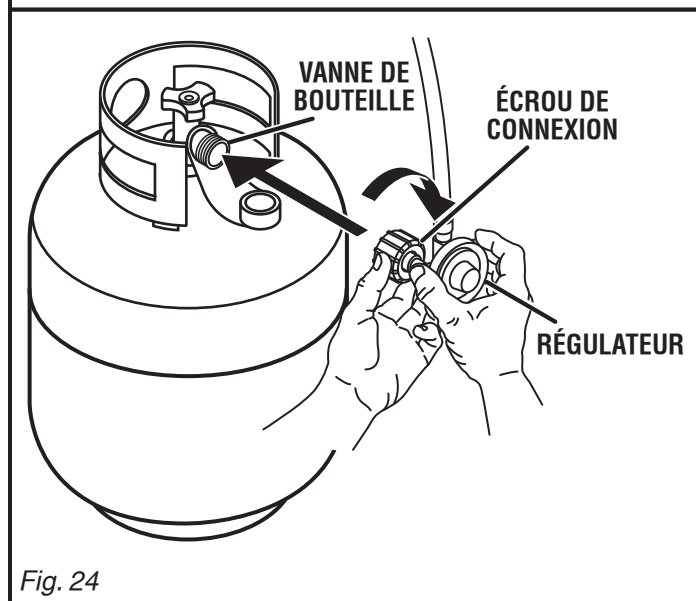


Fig. 24

ASSEMBLAGE

! DANGER :

NE PAS FUMER ni utiliser de flamme nue lors d'un essai d'étanchéité. En présence d'une fuite, le gaz pourrait s'enflammer et provoquer de graves blessures corporelles.

! AVERTISSEMENT :

Pour éviter toute blessure corporelle grave, vérifier toujours la présence éventuelle de fuite de gaz à chaque déconnexion et reconnexion de la bouteille de GPL.

ÉTAPE 16 : ESSAI D'ÉTANCHÉITÉ DES VANNES, DU TUYAU ET DU RÉGULATEUR

Voir la figure 25.

Les connexions sur le tuyau et le régulateur ont été testées en usine pour s'assurer qu'il n'y ait aucune fuite. Néanmoins, les connexions pourraient s'être desserrées pendant le transport et la manutention. Par mesure de sécurité :

- Fermer tous les boutons de commande sur le panneau de commande.
- S'assurer que le régulateur est correctement connecté à la bouteille de GPL.
- Pour ouvrir la vanne de la bouteille : tourner le volant dans le sens contraire des aiguilles d'une montre.

Si l'on entend un bruit *strident*, fermer immédiatement

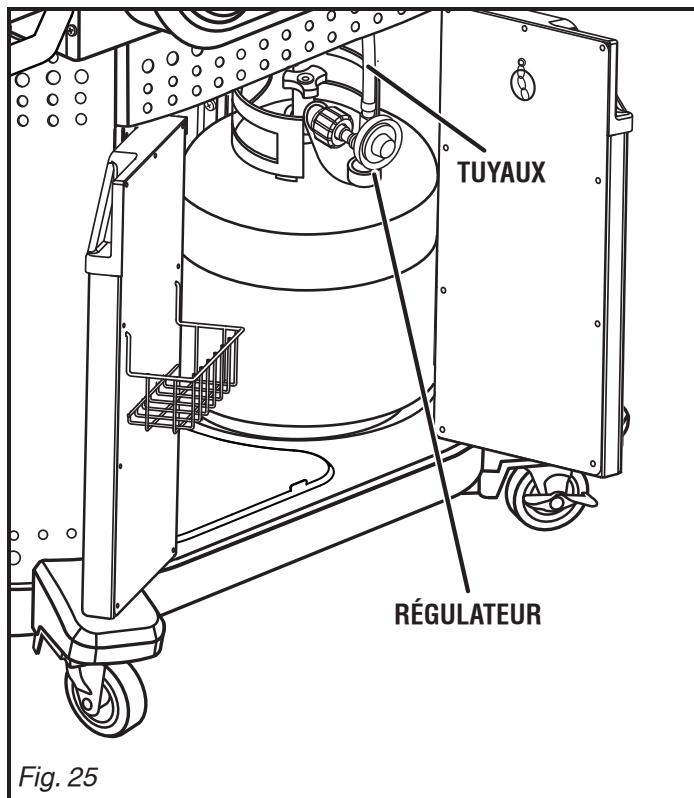


Fig. 25

la vanne de bouteille. Le bruit signifie qu'il existe une fuite importante au niveau de la connexion. Rectifier le problème avant de continuer.

- À l'aide d'un pinceau propre et d'un mélange 50/50 de savon doux et d'eau, appliquer la solution savonneuse sur toutes les connexions et tous les raccords du gril.
 - Des bulles « croissantes » indiquent une fuite. Fermer la vanne de bouteille puis resserrer toutes les connexions.
- NOTE :** Si les fuites ne peuvent être stoppées, ne pas tenter d'entreprendre des réparations. Appeler pour obtenir des pièces de rechange.
- Si l'on n'utilise pas le gril immédiatement après l'essai d'étanchéité, fermer la vanne de bouteille en tournant la vanne dans le sens des aiguilles d'une montre).

ÉTAPE 17 : TESTS DE LA BOUTEILLE DE GPL

Voir la figure 26.

- Fermer les boutons de commande sur le panneau de commande, fermer la vanne de bouteille de GPL et déconnecter le régulateur de la bouteille.
- Sortir la bouteille de GPL de l'intérieur de l'armoire.
- À l'aide d'un pinceau propre et d'un mélange 50/50 de savon doux et d'eau, appliquer la solution savonneuse sur les zones indiquées.
- Des bulles « croissantes » indiquent une fuite. Ne pas utiliser la bouteille de gaz et ne pas la déplacer. Contacter le fournisseur de gaz ou le service des incendies!
- Si l'on voit, on sent ou on entend le sifflement du gaz s'échappant de la bouteille de propane :
 - S'éloigner de la bouteille de GPL
 - Ne pas tenter de rectifier le problème soi-même
 - Appeler le service des incendies

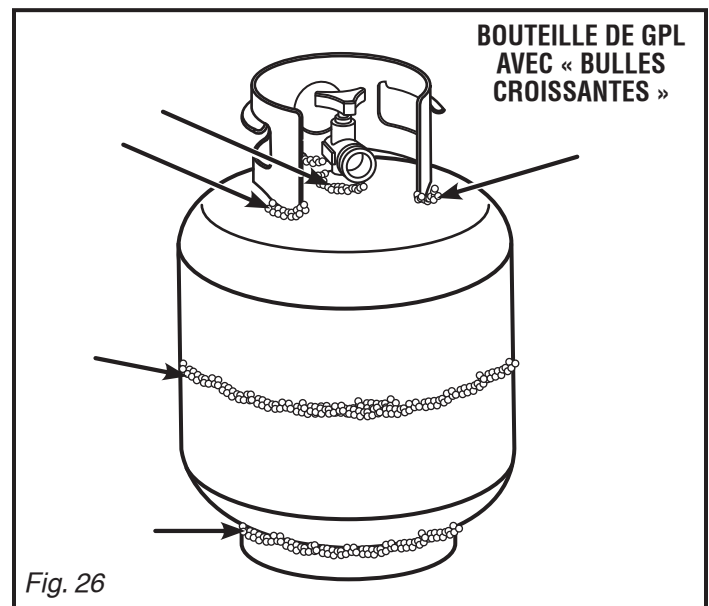


Fig. 26

UTILISATION



AVERTISSEMENT :

Ne pas laisser la familiarité avec gril faire oublier la prudence. Ne pas oublier qu'une fraction de seconde d'inattention peut entraîner des blessures graves.



AVERTISSEMENT :

Ne pas utiliser d'outils ou accessoires non recommandés pour cet outil. L'utilisation de pièces et accessoires non recommandés peut entraîner des blessures graves.

CONSEILS DE SÉCURITÉ POUR UTILISER LE GRIL

- Avant d'ouvrir la vanne de la bouteille de propane, vérifier que l'écrou de raccordement est bien serré et effectuer un essai d'étanchéité.
- Enlever l'excès de graisse de la viande pour diminuer les flambées provenant des jus de viande.
- Lorsque le gril n'est pas utilisé, fermer tous les boutons de commande et la vanne de la bouteille.
- Ne pas déplacer le gril pendant la cuisson ou lorsque le gril est chaud.
- Pour éviter les brûlures et les éclaboussures pendant la cuisson et que le gril est chaud, utiliser des ustensiles à manche long et des gants de cuisinier.
- Ne pas utiliser le gril si le plateau et le godet à graisse ne sont pas propres et ne sont pas correctement installés.
- Une fois le gril refroidi, le nettoyer promptement.
- Ne laisser ni la graisse ni de matière chaude s'égoutter sur la vanne, le tuyau ou le régulateur. Rectifier le problème avant toute utilisation.
- En cas de gel du régulateur, fermer immédiatement le gril et la vanne de la bouteille. Ceci indique un problème au niveau de la bouteille de propane et elle ne doit pas être utilisée. Retourner la bouteille au fournisseur.
- Ne pas laisser le gril sans supervision pendant le préchauffage ou le brûlage de résidu alimentaire. Si le gril n'a pas été périodiquement nettoyé comme indiqué, un incendie de graisse peut se produire.
- Ne jamais utiliser d'eau sur un incendie de graisse.
- Effectuer un contrôle des flammes de brûleur avant chaque utilisation (voir la section *Entretien*).

GUIDE DE CUISSON AU GRIL

High [Fort] — pour préchauffer le gril, saisir les steaks et d'autres morceaux de viande, brûler les résidus alimentaires de la grille.

Medium [Moyen] — pour la majorité de la cuisson au gril, au four ou rôti.

Low [Faible] — pour faire cuire le poisson et d'autres aliments maigres.

CONSEILS DE CUISSON/GRIL

- Les meilleures huiles à utiliser pour griller des viandes sont des huiles à haute température (par ex., huiles d'arachides, de colza, de carthame et de coton).
- Essuyer la viande avant de la faire griller. La viande sèche brunit tandis que la viande humide cuit à la vapeur.
- Faire griller avec le capot fermé.
- Garder les grilles propres. Une grille propre aura moins tendance à accrocher et durera plus longtemps.
- Nettoyer souvent le capot et l'intérieur de la cuve. Un dépôt de graisse est un risque d'incendie et ajoute des saveurs indésirables à vos aliments frais.
- Avant d'allumer les brûleurs, vaporiser les brûleurs d'un aérosol non-adhésif pour empêcher les aliments d'accrocher.
- Toujours préchauffer le gril pendant 10 - 15 minutes avant toute utilisation.
- Avant de commencer à griller, organiser les aliments par technique de cuisson, le temps de cuisson requis et la zone de gril requise.
- Les sauces contenant des sucres et graisses peuvent entraîner des flambées et brûler les aliments. Appliquer ces sauces uniquement pendant les 10 dernières minutes de cuisson.
- Les marinades et marinades sèches rehaussent la saveur des aliments. Une marinade sèche ou liquide peut être utilisée avant la cuisson.
- Lors de l'utilisation de la pierre à pizza, préchauffer la pierre dans le gril pendant approximativement 15 minutes pour qu'elle atteigne complètement la température requise.

INNOCUITÉ DES ALIMENTS

- Se laver les mains, laver les ustensiles et les surfaces à l'eau chaude savonneuse avant et après avoir manipulé de la viande crue.
- Conserver la viande crue à l'écart des aliments prêts à la consommation.
- Utiliser un plat et des ustensiles propres pour retirer les aliments cuits du gril.
- Faire cuire la viande et la volaille complètement afin d'éliminer les bactéries.
- Utiliser un thermomètre à viande pour s'assurer de la température interne appropriée de la viande.
- Températures internes minimum sûres recommandées par l'USDA pour les aliments :
 - 81 °C (145°F) pour le bœuf, le veau, l'agneau, les steaks et les rôtis
 - 81 °C (145°F) pour le poisson
 - 89 °C (160°F) pour le porc, le bœuf, le veau et l'agneau hachés
 - 89 °C (160°F) pour le porc
 - 89 °C (160°F) pour le pl'oef sert
 - 92 °C (165°F) pour la dinde, le poulet et le canard (entiers, en morceaux et hachés)
- Réfrigérer promptement les aliments préparés et les restes.

⚠ ATTENTION :

Si l'allumage ne se produit pas dans les 5 secondes, mettre le bouton de commande sur OFF et patienter 5 minutes. Refaire les procédures d'allumage. Si le brûleur NE s'allume PAS avec la vanne de la bouteille ouverte, le gaz continuera de s'écouler du brûleur et pourrait accidentellement s'enflammer et résulter en de graves blessures corporelles.

ALLUMAGE DU BRÛLEUR PRINCIPAL

Voir les figures 27 - 28.

NOTE : Ne jamais se pencher sur le gril en allumant les brûleurs.

La première fois que l'on utilise le nouveau gril, il est recommandé de laisser le gril marcher sur le réglage le plus haut de 15 à 20 minutes.

Pour allumer les brûleurs à l'aide de l'allumeur électrique :

- Ouvrir le capot.
- Fermer tous les boutons de commande sur le panneau de commande à off (O) [arrêt].
- S'assurer que le régulateur est bien connecté à la bouteille de GPL et qu'un essai d'étanchéité a été effectué.
- Ouvrir complètement la vanne de la bouteille.
- Enfoncer le bouton de commande de l'extrême gauche et tourner sur ON 🔥.
- Appuyer sur l'allumeur électrique dans cinq (5) secondes et le maintenir enfoncé jusqu'à allumage du brûleur. Une fois le brûleur allumé, tourner le bouton de commande sur le réglage souhaité. Si le brûleur ne s'allume pas, relâcher l'allumeur électrique. Fermer le bouton de commande et patienter cinq (5) minutes puis refaire l'étape.

NOTE : Mettre le brûleur sur High [Fort] et observer la hauteur de flamme qui doit être approximativement de 2,54 cm (1 pouce). Si la flamme est trop haute ou trop basse, il faut régler le brûleur. Voir la section *Réglage* plus loin dans ce manuel.

- Pour allumer les brûleurs adjacents : appuyer sur le bouton de commande à côté du brûleur allumé pour allumer; ou refaire les procédures d'allumage pour les brûleurs non adjacents.

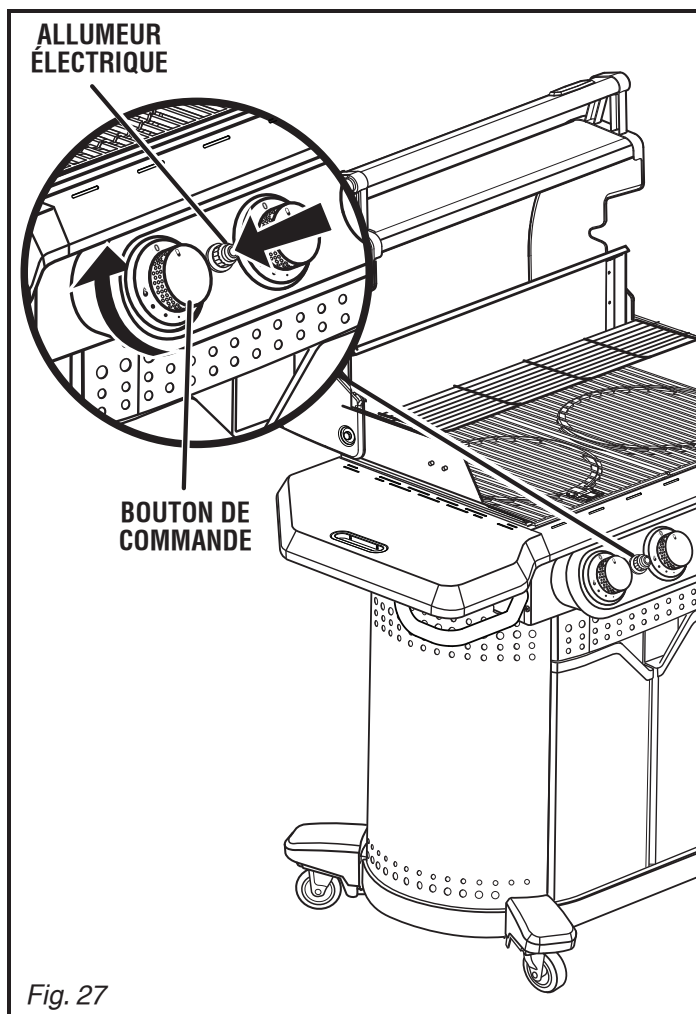


Fig. 27

UTILISATION

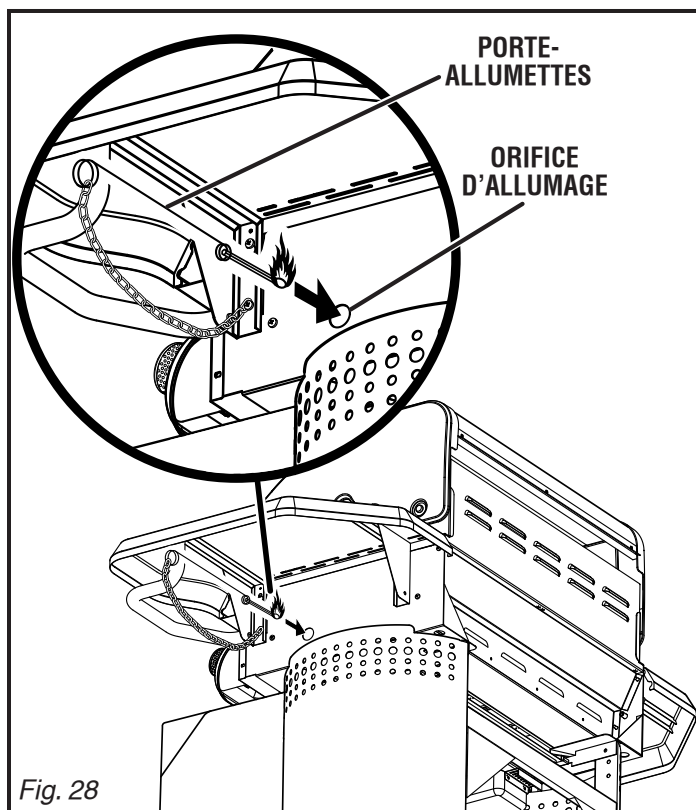
Pour allumer les brûleurs à l'aide d'une allumette :

- Ouvrir le capot.
- Fermer tous les boutons de commande sur le panneau de commande à off (O) [arrêt].
- S'assurer que le régulateur est bien connecté à la bouteille de GPL et qu'un essai d'étanchéité a été effectué.
- Ouvrir complètement la vanne de la bouteille.
- À l'aide du porte-allumette fourni avec ce gril, placer une allumette entre le fil circulaire.
- Allumer l'allumette et la placer dans l'orifice d'allumage sur le côté de la cuve.
- Enfoncer le bouton de commande de l'extrême droite et tourner sur ON 🔥.
- Une fois le brûleur allumé, tourner le bouton de commande sur le réglage souhaité.

Si le brûleur ne s'allume pas, éteindre l'allumette puis fermer le bouton de commande, patienter cinq (5) minutes puis refaire l'étape.

NOTE : Mettre le brûleur sur High [Fort] et observer la hauteur de flamme qui doit être approximativement de 25,4 mm (1 po). Si la flamme est trop haute ou trop basse, il faut régler le brûleur. Voir la section *Réglage* plus loin dans ce manuel.

- Pour allumer les autres brûleurs : enfoncer et ouvrir le bouton de commande à côté du brûleur allumé pour allumer.



RÉINITIALISATION DU DISPOSITIF DE SÉCURITÉ DU RÉGULATEUR DE GAZ

Depuis 1995, tous les régulateurs sont munis d'un dispositif de sécurité qui restreint l'écoulement de gaz en cas de fuite de gaz. Pour activer cette fonction, il suffit d'ouvrir le bouton de commande avant d'ouvrir la vanne de la bouteille. Même avec tous les brûleurs sur High [fort], le gril ne dépassera pas une température de 139 °C (250 °F) à 167 °C (300 °F). Il faudra alors réinitialiser le dispositif de sécurité du régulateur de gaz.

Pour réinitialiser :

- Ouvrir le capot et fermer tous les boutons de commande du panneau de commande à off (O) [arrêt].
- Fermer complètement la vanne de la bouteille et déconnecter le régulateur de la bouteille de GPL.
- Patienter 30 secondes avant de reconnecter le régulateur.
- Ouvrir la vanne de la bouteille et suivre les instructions d'allumage.

UTILISATION DU GRIL ET DES ACCESSOIRES

Voir la figure 29.



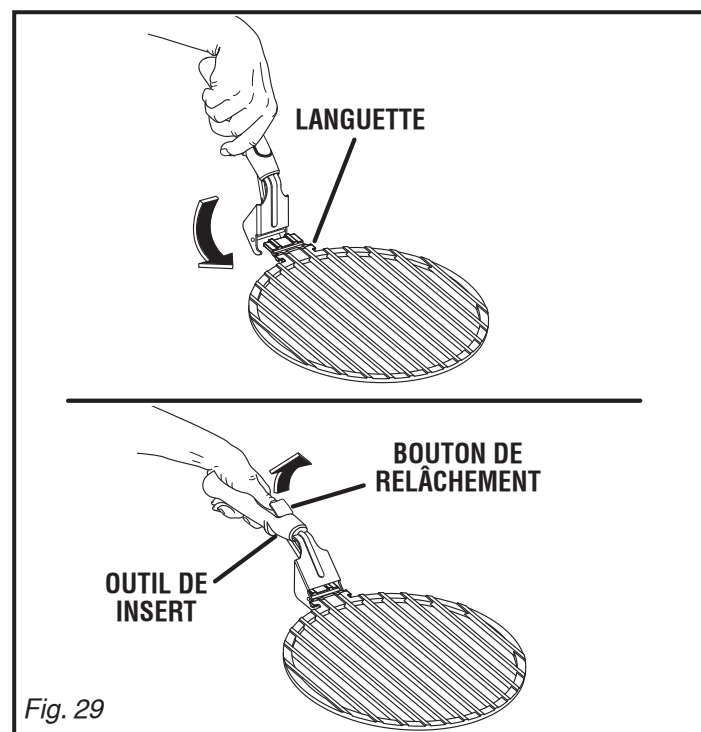
AVERTISSEMENT :

Ne jamais utiliser un accessoire si l'enduit de porcelaine est endommagé ou ébréché. L'utilisation d'un accessoire dont l'enduit est endommagé peut provoquer des blessures graves si les éclats sont avalés.

Pour utiliser l'outil de retrait d'inserts :

NOTE : Utiliser uniquement l'outil de retrait d'inserts sur les inserts à languettes.

- Glisser les crochets de l'extrémité de l'outil de retrait d'inserts sous la languette de l'insert.



UTILISATION

- Abaisser l'outil de manière à ce que l'attache inférieure accroche sous la languette de l'insert.
- Pour relâcher : Relever le bouton de déverrouillage orange avec le pouce puis retirer l'outil de retrait d'inserts de l'insert.

Pour utiliser la grille pour faire griller la viande :

- Allumer le gril et fermer le capot. Préchauffer le gril de 10 à 15 minutes.
- Ouvrir le capot et mettre la viande sur des grilles propres puis fermer le capot. Le temps de cuisson variera en fonction des préférences personnelles.
NOTE : Un poisson cuit au gril est généralement cuit lorsqu'il s'écaille facilement à la fourchette. Si la chair a un aspect lustré, le poisson n'est pas cuit.
- En fin de cuisson, fermer les boutons de commande et la vanne de la bouteille.
- Nettoyer les grilles, le plateau et le godet à graisse.



AVERTISSEMENT :

Placer la pierre à pizza uniquement dans un gril froid. Placer la pierre à pizza dans un gril chaud peut entraîner d'éventuelles blessures corporelles.

Pour utiliser la pierre à pizza :

- À l'aide de l'insert de retrait d'inserts, relever et retirer l'un des inserts de grille puis placer la pierre à pizza dans l'ouverture où l'insert de grille a été retiré.
- Allumer le gril et fermer le capot. Il faudra 15 minutes pour chauffer la pierre à une température de cuisson
- Ouvrir le capot et placer la pizza sur la pierre à pizza.
- Faire cuire la pizza.
- En fin de cuisson, fermer les boutons de commande et la vanne de la bouteille.
- Laisser la pierre à pizza et le gril refroidir complètement.
- Nettoyer les grilles, le plateau et le godet à graisse, et la pierre à pizza.

⚠ AVERTISSEMENT :

Utiliser exclusivement des pièces d'origine pour les réparations. L'usage de toute autre pièce pourrait créer une situation dangereuse ou endommager le produit.

ENTRETIEN GÉNÉRAL

Ne pas confondre les dépôts bruns et noirs de graisse et de fumée pour de la peinture. L'intérieur du capot n'est pas peint et ne doit jamais l'être. Pour nettoyer l'intérieur du capot et le fond du gril, utiliser une solution forte de détergent et d'eau, ainsi qu'une brosse à récurer. Bien rincer et laisser sécher à l'air. **NE JAMAIS** utiliser de nettoyeur caustique pour gril sur les surfaces peintes ou surfaces de cuisson.

Nettoyer toutes les pièces en plastique, les surfaces peintes et en acier inoxydable à l'eau savonneuse chaude, et essuyer. Nettoyer les surfaces de cuisson uniquement avec une brosse en soies. Vérifier qu'aucune soie détachée ne reste sur les grilles de cuisson avant d'utiliser le gril.

Grilles de cuisson :

- Nettoyer avant et après chaque utilisation avec une brosse métallique dure..

Plaques de distribution de chaleur :

- Racler tout dépôt sur les plaques de distribution de chaleur à l'aide d'une brosse métallique.

Plateau et godet à graisse :

- Après utilisation, laisser refroidir la graisse dans le plateau et le godet puis la jeter aux ordures.
- Vider après chaque utilisation pour éviter tout déversement et toute flambée.

L'ASSEMBLÉE DE BRÛLEUR DE NETTOYAGE ET VÉRIFIER BUSES POUR LES INSECTES

Voir les figures 30 - 33.

⚠ DANGER :

Ne pas nettoyer l'ensemble de brûleur ni vérifier les buses tel qu'indiqué peut entraîner un incendie ou une explosion provoquant de blessures graves voire la mort.

Nettoyer les brûleurs lorsque le gril n'a pas été utilisé pendant un certain temps. Dans certaines régions du pays, des araignées et d'autres insectes peuvent filer des toiles, construire des nids et pondre des œufs dans les buses bloquant l'écoulement du gaz et provoquant un incendie dans les tubes connus sous le terme de « retours de flamme. Les retours de flamme peuvent endommager le gril et même provoquer des blessures.

- Fermer tous les boutons de commande sur le panneau de commande off (O) [arrêt].
- Relever et retirer les grilles de cuisson et de chauffage de l'intérieur du gril.
- Enlever goupille de sûreté qui obtient les brûleurs au fond du gril.

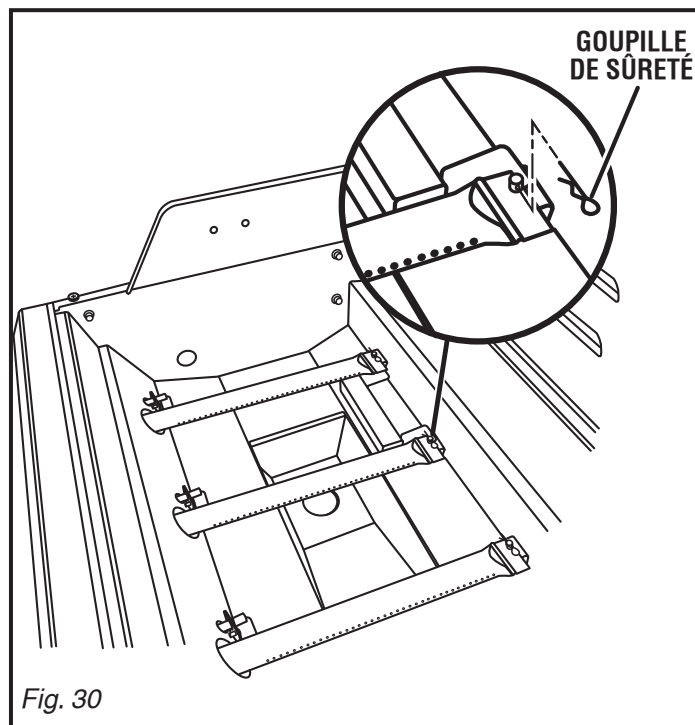


Fig. 30

- Tirer le fil d'électrode de allumeur électrique.
- Elever le brûleur et loin des ouvertures de soupape de gaz.

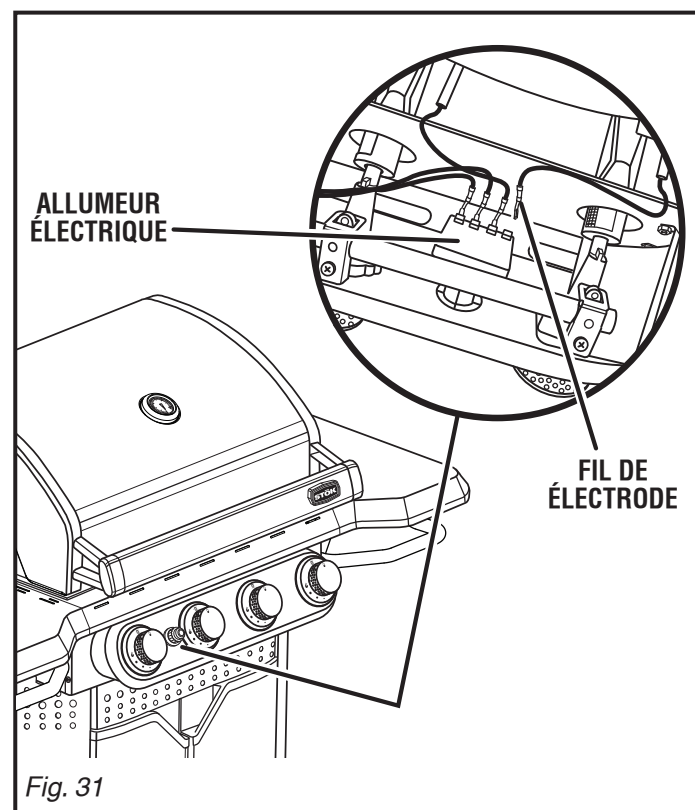


Fig. 31

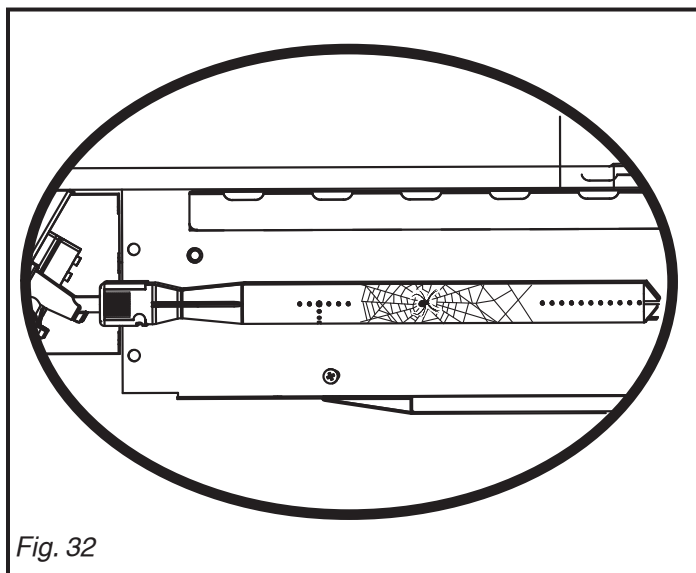


Fig. 32

Nettoyer les tubes de brûleurs d'une des trois manières suivantes :

1. Plier un fil métallique rigide pour former un petit crochet. Passer le crochet à travers chaque tube de brûleur à plusieurs reprises.
2. Utiliser un goupillon étroit avec un manche flexible et le passer à travers les tubes de brûleurs à plusieurs reprises. **NE PAS** utiliser de goupillon métallique.



3. Porter une protection oculaire puis utiliser un tuyau d'air pour forcer l'air dans le tube de brûleur et le faire sortir par l'orifice du brûleur. Nettoyer tout orifice colmaté avec un trombone ouvert.

- Une fois les tubes de brûleurs exempts de débris, utiliser une brosse métallique pour éliminer les aliments et la saleté de la surface externe des tubes.
- Vérifier tout dommage éventuel sur les brûleurs. Une usure normale et la corrosion peuvent provoquer l'élargissement de certains orifices. Dans ce cas, remplacer les brûleurs.

NOTE : Les tubes de brûleurs doivent réenclencher les ouvertures de vannes.

- Vérifier que l'orifice de vanne de gaz est correctement positionnée à l'intérieur de l'admission de brûleur.
- Attacher l'électrode au brûleur et remplacer soigneusement les brûleurs.
- Faire glisser les brûleurs dans les supports à l'intérieur du gril et sécuriser les brûleurs à l'aide des chevilles.
- Rattacher les fils des électrodes à l'allumeur électronique.

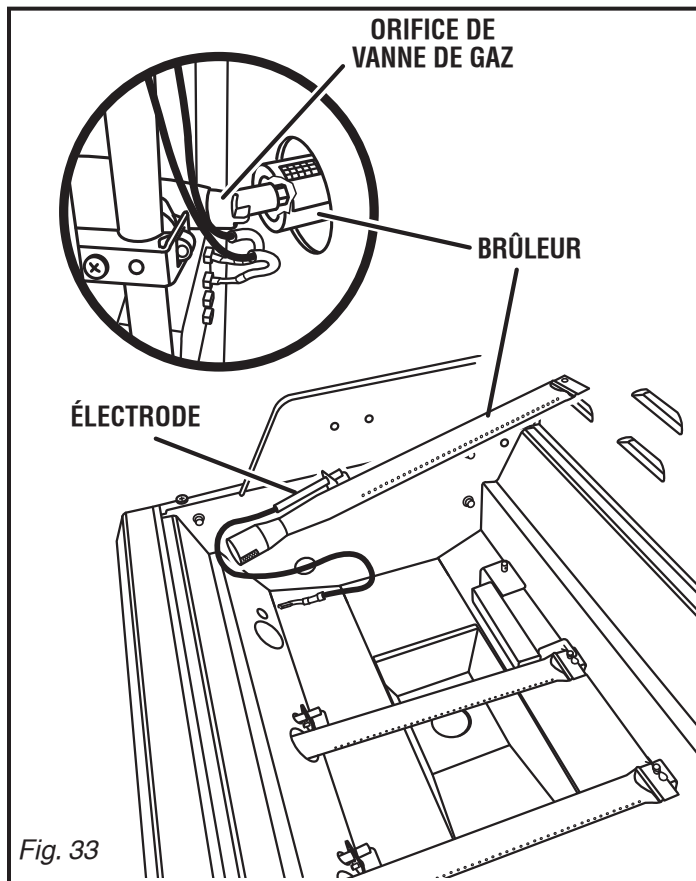


Fig. 33

CONTRÔLE DE FLAMME DE BRÛLEUR

Voir la figure 34.

- Fermer complètement la vanne de la bouteille.
- Retirer les grilles de chauffage.
- Ouvrir complètement la vanne de la bouteille.
- Allumer les brûleurs et tourner les boutons de commande de High [fort] à Low [faible]. Une plus petite flamme doit se voir sur Low tandis que la flamme sur High doit être approximativement de 25,4 mm (1 po) de hauteur.
- Si l'on ne voit qu'une petite flamme, il faut peut-être réinitialiser le dispositif de sécurité du régulateur de gaz tel qu'il l'est décrit dans la section *Fonctionnement*.

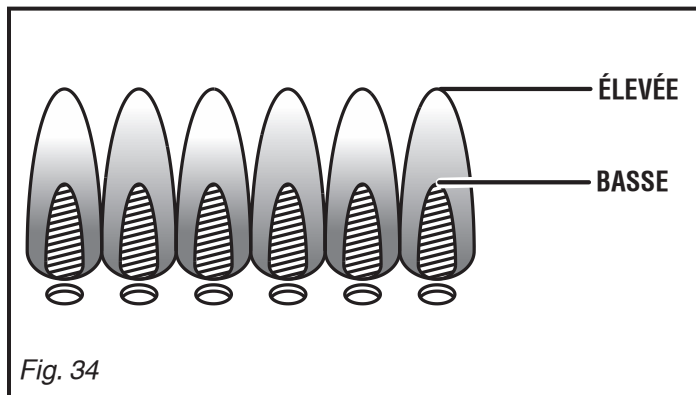


Fig. 34

CONTRÔLE DES TUYAUX

Fermer complètement la vanne de la bouteille. Inspecter tous les tuyaux avant chaque utilisation. Remplacer tout tuyau endommagé avant d'utiliser le gril.

NOTE : Utiliser uniquement des pièces recommandées par le fabricant.

CONTRÔLE DE L'ALLUMEUR

Fermer complètement la vanne de la bouteille. Appuyer sur l'allumeur et le maintenir enfoncé. On doit entendre un « clic » et voir une étincelle entre le brûleur et l'électrode. En l'absence d'étincelle, voir la section *Dépannage* plus loin dans ce manuel.

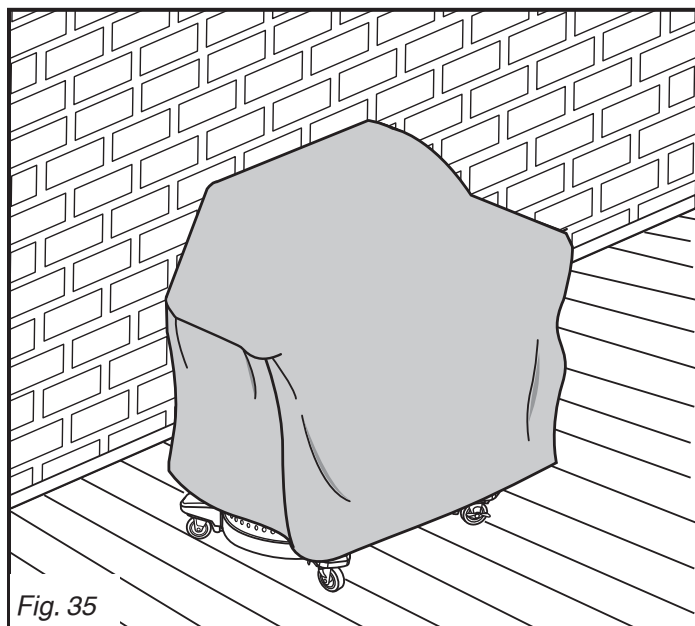
CONTRÔLE DES VANNES

Fermer complètement la vanne de la bouteille. Les boutons de commandes se verrouillent en place lorsqu'ils sont fermés. Pour contrôler les vannes : appuyer sur les boutons et les relâcher. Si les boutons ne reviennent pas automatiquement, remplacer l'ensemble de vanne avant d'utiliser le gril.

ENTREPOSAGE DU GRIL

Voir la figure 35.

- Fermer tous les boutons de commande sur le panneau de commande off (O) [arrêt].
- Fermer complètement la vanne de la bouteille.
- Maintenir fermement le régulateur et tourner l'écrou de raccordement dans le sens contraire des aiguilles d'une montre pour déconnecter le régulateur de la bouteille de GPL.
- Mettre le capuchon antipoussière sur la sortie de la vanne de la bouteille lorsque celle-ci n'est pas utilisée. N'utiliser à cette fin que le type de capuchon antipoussière fourni avec la vanne de la bouteille. D'autres types de capuchons ou de bouchons peuvent entraîner une fuite de propane.
- Une fois refroidi, nettoyer le gril à fond.
- Entreposer dans un endroit sec. Si entreposé à l'extérieur, recouvrir le gril d'une des diverses housses offertes par les fabricants.



RECHERCHE DE PANNES

PROBLÈME	CAUSES	SOLUTION
Odeur de gaz	<p>Vanne de la bouteille de gaz ouverte.</p> <p>Fuite provenant du tuyau, du régulateur ou de la vanne.</p>	<p>Fermer la vanne de la bouteille immédiatement et serrer les raccords.</p> <p>Fermer la vanne de la bouteille immédiatement et vérifier si le tuyau flexible, le régulateur ou la vanne sont endommagés. Effectuer un essai d'étanchéité; consulter la partie « Essai d'étanchéité des vannes, du tuyau et du régulateur » dans la section Assemblage.</p>
Retour de flamme sous le panneau de commande	Incendie dans les tubes des brûleurs en raison d'une obstruction.	Consulter la partie « Nettoyer le module des brûleurs et vérifier si des insectes se trouvent dans les buses » dans la section Entretien.
Fuite de gaz détectée sur la bouteille, le régulateur ou une autre connexion	<p>Installation inappropriée et branchements desserrés.</p> <p>Défaillance mécanique causée par la rouille ou une manipulation négligente.</p>	<p>Serrer les raccords et consulter la partie « Essai d'étanchéité des vannes, du tuyau et du régulateur » dans la section Assemblage.</p> <p>Remplacer ou remplir la bouteille de GPL.</p>
Incendie de graisse ou flammes excessives en continu au-dessus de la surface de cuisson	Accumulation de graisse près des brûleurs.	Fermer le bouton de commande et la vanne de la bouteille. Laisser le capot ouvert et laisser les flammes s'éteindre. Bien nettoyer le grill une fois qu'il est refroidi.
Les brûleurs ne s'allument pas	<p>Bouteille de GPL vide.</p> <p>Tentative d'allumer le mauvais brûleur.</p> <p>Le brûleur n'est pas relié au bouton de commande.</p> <p>Buses obstruées.</p> <p>Bouchon de vapeur au niveau de l'écrou de raccord à la bouteille de GPL.</p> <p>Les fils de l'allumeur sont desserrés, encrassés ou non connectés.</p> <p>Pile de l'allumeur épuisé.</p>	<p>Remplacer ou remplir la bouteille de GPL.</p> <p>Consulter la partie « Allumage du brûleur principal » dans la section Fonctionnement.</p> <p>S'assurer que les vannes se trouvent à l'intérieur des tubes des brûleurs.</p> <p>Consulter la partie « Essai d'étanchéité des vannes, du tuyau et du régulateur » dans la section Assemblage.</p> <p>Fermer les boutons de commande et la vanne de la bouteille.</p> <p>Rebrancher les fils d'électrode des brûleurs ou remplacer les fils de l'allumeur. Nettoyer les fils et/ou les électrodes au moyen d'alcool à friction et d'un écouvillon propre. Serrer tous les raccords.</p> <p>Remplacer la pile de l'allumeur.</p>
Perte de chaleur ou pétarade	<p>La bouteille de GPL est vide.</p> <p>Buses obstruées.</p>	<p>Remplacer ou remplir le cylindre GPL.</p> <p>Consulter la partie « Essai d'étanchéité des vannes, du tuyau et du régulateur » dans la section Assemblage.</p>
Points chauds sur la surface de cuisson	Buses obstruées.	Consulter la partie « Essai d'étanchéité des vannes, du tuyau et du régulateur » dans la section Assemblage.
Bourdonnement du régulateur	Vanne de la bouteille ouverte trop rapidement.	Fermer les boutons de commande et la vanne de la bouteille. Ouvrir la vanne lentement.
Flamme blanche	Les buses ou les brûleurs peuvent être obstrués.	Consulter la partie « Essai d'étanchéité des vannes, du tuyau et du régulateur » dans la section Assemblage.
L'intérieur du capot semble s'écailler	Il s'agit d'une accumulation de graisse. L'intérieur du capot n'est pas peint.	Nettoyer au moyen d'une brosse à poil doux ou d'un racloir.

GARANTIE LIMITÉE DES GRILS AU GAZ STÖK™

Merci d'avoir acheté un gril STÖK™. La garantie applicable aux grils au gaz est décrite ci-dessous. Nous vous recommandons de lire le manuel d'utilisation fourni avec le gril avant que vous présentiez une réclamation au titre de la garantie. Vous pourriez ainsi trouver une solution simple à votre problème. Si vous ne trouvez pas ce manuel, il est possible d'en obtenir un nouvel exemplaire en composant le numéro cidessous ou de le télécharger sur le site Web à l'adresse ci-dessous.

Ce qui est couvert par la garantie :

- Les brûleurs en acier inoxydable : garantie pour une période de 10 ans contre tous vices de matériaux et de fabrication.
- Toutes les autres pièces et tous les autres composants du gril : garantie pour une période de 2 ans contre tous vices de matériaux et de fabrication.

La période de garantie commence à la date d'achat. La garantie s'applique seulement aux grils achetés auprès des détaillants autorisés aux États-Unis et au Canada, n'est offerte qu'à l'acheteur au détail original et n'est pas transférable.

Bien qu'il soit recommandé d'enregistrer le gril au gaz, il n'est pas nécessaire de le faire pour effectuer une réclamation au titre de la garantie. Toutefois, l'enregistrement du gril ne constitue PAS un remplacement du reçu de vente. **Nous ne pouvons accepter de réclamations au titre de la garantie présentées sans reçu d'achat valide qui indique la date et l'endroit de l'achat.** Si STÖK™ approuve la réclamation, le propriétaire peut devoir retourner toute pièce défectueuse, qui sera réparée ou remplacée sans frais par STÖK™. Si une pièce ne peut être réparée et qu'elle n'est plus disponible sur le marché, elle peut être remplacée par une pièce de fonction similaire. La réparation ou le remplacement de pièces ne prolonge pas la période de garantie.

La réparation ou le remplacement des pièces constitue le seul recours en vertu de cette garantie limitée.

Ce qui n'est pas couvert par la garantie :

La garantie limitée ne couvre pas les dommages causés par l'un des facteurs suivants :

- Le manquement à procéder à l'assemblage, à l'utilisation ou à l'entretien du gril conformément aux instructions d'installation et au manuel d'utilisation ou toute autre mauvaise utilisation ou abus ou le non-respect des codes locaux.
- L'utilisation pour des commerces, des institutions, des complexes d'habitation ou d'autres emplois communautaires.
- Bouteille ou réservoir de gaz.
- La modification ou la réparation non autorisée du gril ou l'utilisation de pièces non autorisées.
- Les catastrophes naturelles, comme un incendie, une inondation, une tornade, la foudre, des vents violents et la grêle.
- Les accidents ou les feux couvants.
- Les produits nettoyants autres que ceux recommandés dans le manuel d'utilisation et l'exposition, directe ou dans l'atmosphère, à d'autres produits chimiques (ne pas entreposer le gril près d'une piscine).
- La perte de nourriture ou des dommages directs, indirects ou consécutifs.
- Les égratignures, les entailles, la rouille et la décoloration des surfaces, ou autres problèmes d'apparence ou les dommages causés par les outils lors de l'assemblage.
- L'usure normale.
- Les articles de consommation fournis avec le gril comme les accessoires de cuisson, les brosses et les produits nettoyants.
- Les frais d'affranchissement, de livraison et d'expédition ou autres frais de transport.
- Les frais de retrait ou d'installation des pièces ou des composants ou autres frais de main d'œuvre.

LA PRÉSENTE GARANTIE LIMITÉE CONSTITUE LA SEULE GARANTIE EXPLICITE FOURNIE PAR STÖK™. SAUF DANS LA MESURE OÙ LA LOI L'INTERDIT, TOUTE GARANTIE IMPLICITE DE QUALITÉ MARCHANDE OU D'ADAPTATION À UNE UTILISATION OU À UNE FIN PARTICULIÈRE EST LIMITÉE À LA DURÉE DE LA GARANTIE MENTIONNÉE CI-DESSUS. AUCUN DÉTAILLANT NI TIERS N'A L'AUTORITÉ DE CRÉER UNE NOUVELLE GARANTIE OU D'EFFECTUER DES AJOUTS OU DES MODIFICATIONS À LA PRÉSENTE GARANTIE LIMITÉE. EN AUCUN CAS, EN VERTU DE LA PRÉSENTE GARANTIE, LA RESPONSABILITÉ MAXIMALE DE ONE WORLD TECHNOLOGIES, INC. NE PEUT EXCÉDER LE PRIX D'ACHAT PAYÉ PAR L'ACHETEUR ORIGINAL.

Certains États et certaines provinces ne permettent pas d'exonération ou de réserve pour la couverture des dommages directs ou consécutifs et la durée de toute garantie implicite. Certaines limitations peuvent ne pas s'appliquer à un acheteur particulier. La présente garantie limitée donne à l'acheteur des droits spécifiques et il est possible qu'il ait d'autres droits, qui varient selon les administrations.

Réparations sous garantie :

Avant de retourner des pièces et des composants, communiquer avec le service à la clientèle au numéro indiqué ci-dessous. Avoir en main le numéro de série du gril (à l'intérieur de la porte droite de l'armoire) et une copie du reçu de vente indiquant la date et l'endroit de l'achat. L'appel doit être effectué pendant la période de garantie.

Les retours ne sont pas acceptés sans un numéro d'autorisation de retour valide obtenu auprès du service à la clientèle. L'acheteur doit payer les frais d'expédition et retourner la pièce défectueuse à STÖK™ en port prépayé et indiquer le numéro d'autorisation de retour bien en évidence à l'extérieur du paquet. Les retours qui ne satisfont pas à ces conditions seront refusés. Une pièce de remplacement sera expédiée à l'acheteur en port prépayé.

Service à la clientèle STÖK™ (sans frais aux États-Unis et au Canada) : 1-800-847-5993

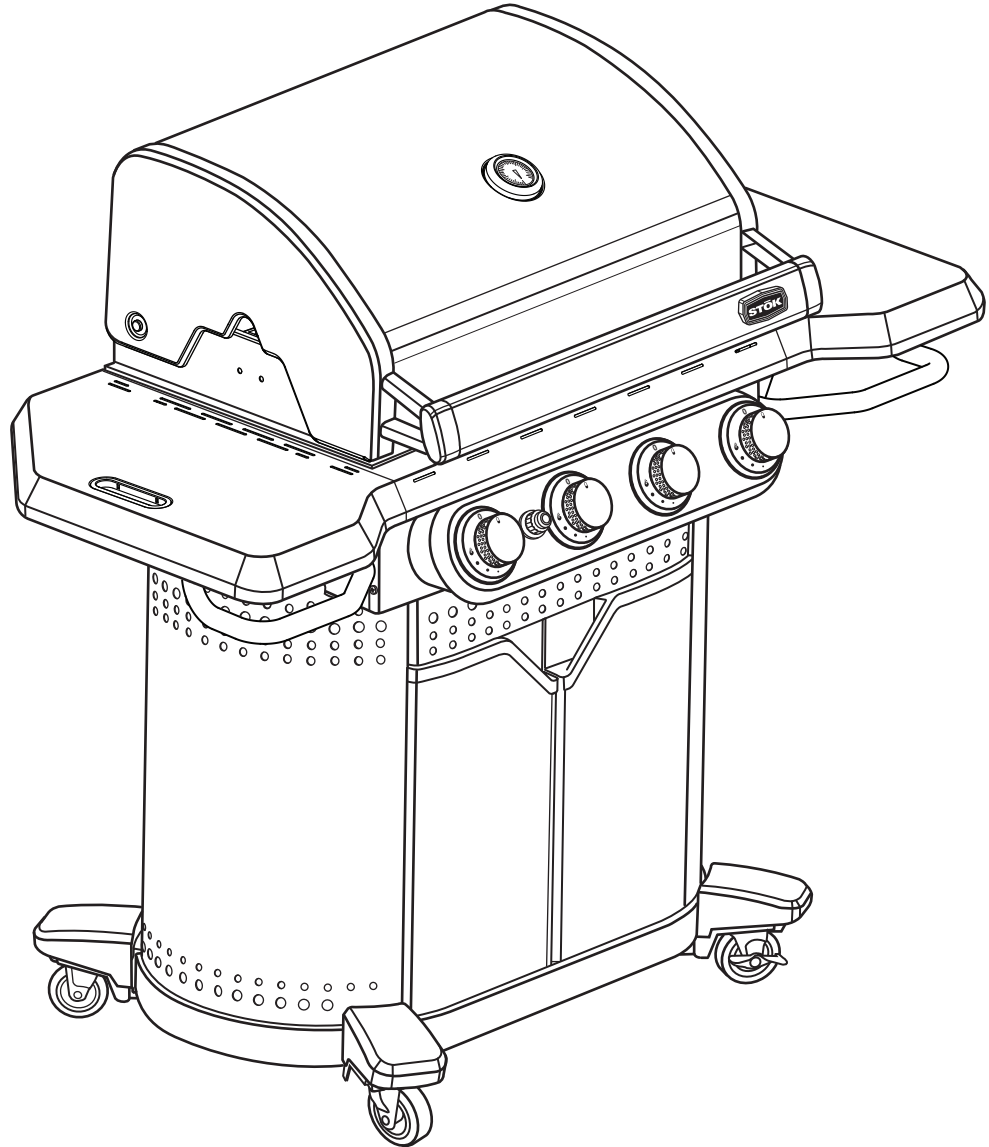
Adresse du site Web de STÖK™ : www.stokgrills.com

MANUAL DEL OPERADOR QUATTRO™ PARRILLA DE GAS PL DE 4 QUEMADORES SGP4130N



PARA USO EN EL
EXTERIOR ÚNICAMENTE

EL TUBO DE GAS PL SE
VENDE POR SEPARADO



Visite el sitio web de STOK en: www.stokgrills.com

⚠ PELIGRO:

El incumplimiento de las instrucciones en este manual del operador puede CAUSARLE LA MUERTE O LESIONARLE GRAVEMENTE.



AVISO PARA EL INSTALADOR/ARMADOR: Entregue este Manual del Operador al consumidor, de modo que el consumidor pueda conservarlo para referencia en el futuro.

GUARDE ESTE MANUAL PARA FUTURAS CONSULTAS

TABLA DE MATERIAS

■ Introducción.....	2
■ Reglas de seguridad generales	3-4
■ Reglas de seguridad específicas.....	4
■ Símbolos.....	5
■ Características.....	6-7
■ Herramientas necesarias	7
■ Piezas sueltas.....	8-9
■ Armado	10-18
■ Funcionamiento.....	19-22
■ Mantenimiento.....	23-25
■ Corrección de problemas	26
■ Garantía	27
■ Pedidos de repuestos	pág. posterior

INTRODUCCION

Este grill ofrece numerosas características para hacer más agradable y placentero su uso. En el diseño de este producto se ha conferido prioridad a la seguridad, el desempeño y la fiabilidad, por lo cual se facilita su manejo y mantenimiento.

PELIGRO:

Si siente olor a gas:

1. Cierre el suministro de gas al aparato.
2. Apague cualquier llama abierta.
3. Abra la tapa.
4. Si el olor persiste, manténgase alejado del aparato y llame de inmediato a su proveedor de gas o a su departamento de bomberos.

ADVERTENCIA:

1. No almacene ni use gasolina ni otros líquidos o vapores inflamables cerca de este aparato ni de ningún otro.
2. No debe almacenarse un cilindro de PL que no esté conectado para usarse cerca de este aparato ni de ningún otro.

PELIGRO:

El armado, el ajuste, la modificación, el servicio técnico o el mantenimiento incorrectos pueden provocar daños a los bienes, lesiones o la muerte. Lea atentamente las instrucciones de Armado, Operación y Mantenimiento antes de usar, armar o realizar servicio técnico a este producto.

To register your STOK
product, please visit:
<http://register.stokgrills.com>

Pour enregistrer votre
produit de STOK,
s'il vous plaît la visite:
<http://register.stokgrills.com>

Para registrar su producto
de STOK, por favor visita:
<http://register.stokgrills.com>

REGLAS DE SEGURIDAD GENERALES

ADVERTENCIA:

Lea y comprenda todas las instrucciones. El incumplimiento de las instrucciones señaladas abajo puede causar descargas eléctricas, incendios y lesiones corporales serias.

LEA TODAS LAS INSTRUCCIONES

- Este aparato debe instalarse de conformidad con los códigos locales vigentes. En caso de que no existan códigos locales, use los siguientes:
 - Estados Unidos:
 - Código Nacional de Gas Combustible, norma 223.1 del Instituto Americano de Normas Nacionales (American National Standards Institute, ANSI)/ norma 54 de la Asociación Nacional de Protección contra Incendios (National Fire Protection Association, NFPA)
 - Código de gas PL, norma 58 de la NFPA.
 - Canadá:
 - Código de Instalación de Gas Natural y Propano, norma B149.1 de la Asociación Canadiense de Normas (Canadian Standards Association, CSA).
 - Código de Almacenamiento y Manipulación de Propano, norma CSA B149.2.
- Si en la parrilla se usa un accesorio que requiere una fuente de alimentación eléctrica externa, al instalar el accesorio, debe conectarse a tierra eléctricamente, de conformidad con los códigos locales. En caso de que no existan códigos locales, use los siguientes:
 - Estados Unidos: Código Eléctrico Nacional, ANSI/NFPA 70.
 - Canadá: Código Eléctrico Canadiense, CSA C22.1.
- Este aparato es para uso en el exterior únicamente, y no debe usarse en un edificio, garaje, cobertizo, balcón ni en ninguna otra área cerrada.
- No use ni instale este aparato en el interior de botes o de vehículos recreativos ni encima de estos.

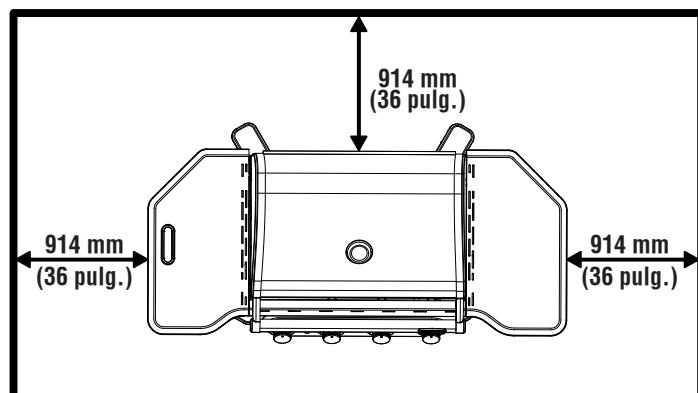


Fig. 1

- Esta parrilla debe ubicarse lejos de superficies combustibles a no menos de 36 pulgadas (914 mm) desde la parte posterior de la parrilla y 36 pulgadas (914 mm) desde los laterales de esta parrilla.
- La parrilla no debe usarse debajo de construcciones combustibles elevadas.
- Mantenga el área alrededor de este aparato libre de materiales combustibles, gasolina, y cualquier otro vapor o líquido inflamable.
- No restrinja el flujo del aire de combustión y ventilación.
- Mantenga las aberturas de ventilación del cerramiento del tubo libres de suciedad.
- Esta parrilla no está diseñada para uso comercial.
- Nunca mueva la parrilla cuando esté en uso o cuando todavía esté caliente.
- Nunca use la parrilla en el interior. Pueden acumularse vapores tóxicos.
- Siempre cierre el suministro de gas al tubo de gas PL (propano líquido también llamado gas licuado de petróleo) cuando el aparato no esté en uso. Desconecte el tubo antes de almacenarlo.
- No modifique la parrilla de ninguna manera.
- No use este aparato, a menos que esté armado en forma completa y adecuada, y que todas las piezas estén firmemente ajustadas.
- Nunca intente encender un quemador con la tapa cerrada. La acumulación de gas no inflamado dentro de una parrilla cerrada es peligrosa.
- Abra la puerta del gabinete e inspeccione la manguera para verificar que no tenga daños antes de cada uso. Si es evidente que hay abrasión o desgaste excesivo, o que la manguera está cortada, esta debe reemplazarse antes de poner en funcionamiento la parrilla. El conjunto de la manguera de reemplazo debe ser el especificado por el fabricante.
- Cuando esté en uso, mantenga a los niños y a las mascotas alejados en todo momento.
- No deje la parrilla sin supervisión.
- No use carbón vegetal, briquetas de cerámica ni roca lava en una parrilla de gas.
- En caso de que se prenda fuego a grasa, apague el quemador. No intente extinguir el fuego con agua. Use polvo químico seco tipo BC como extintor de incendio o sofóque con tierra, arena o bicarbonato sódico.
- Mantenga cualquier cable eléctrico y manguera de suministro de combustible alejados de las superficies calientes.
- No almacene un tubo de gas PL de repuesto debajo de la parrilla ni cerca de esta. Si no se cumple esta indicación, puede producirse un incendio que podría provocar la muerte o lesiones graves.
- Nunca llene el tubo de gas PL por encima del 80% de su capacidad. Un tubo llenado en exceso o almacenado en forma incorrecta constituye un peligro debido a la posible

REGLAS DE SEGURIDAD GENERALES

liberación de gas desde la válvula de alivio de seguridad. Si no se cumple esta indicación, puede producirse un incendio que provoque la muerte o lesiones graves.

- Utilice únicamente un tubo de gas PL que tenga un collar para proteger la válvula del tubo.
- Si en algún momento se detecta una fuga, aléjese del tubo de gas PL y llame al departamento de bomberos.
- Esta parrilla no está diseñada para ser usada en un bote, un vehículo recreativo (recreational vehicle, RV), una casa rodante ni en una caravana.
- No use la parrilla hasta que se haya comprobado que no tiene fugas.

- Revise y/o limpie periódicamente los quemadores/tubos Venturi para verificar que no haya insectos ni nidos de insectos. Un tubo tapado puede producir un incendio debajo de la parrilla.
- Los tubos de gas PL deben almacenarse en el exterior, fuera del alcance de los niños y no deben almacenarse en un edificio, un garaje, ni en ninguna otra área cerrada.
- No opere la parrilla si se encuentra bajo los efectos de drogas, alcohol o medicamentos.
- Permanezca alerta y en control. Preste atención a lo que esté haciendo y use el sentido común. No opere la parrilla cuando esté cansado.

REGLAS DE SEGURIDAD ESPECÍFICAS

- Use la parrilla solo con gas PL y con el conjunto de regulador/válvula suministrado.
- Verifique que no haya fugas antes de asar. Realice este procedimiento incluso si esta parrilla fue armada en la tienda.
- No opere la parrilla si hay una fuga de gas.
- Nunca use una llama para verificar que no haya fugas de gas.
- En caso de que el quemador se apague mientras está asando a la parrilla, cierre la válvula de gas. Abra la tapa y espere cinco minutos antes de intentar volver a prenderlo.
- Nunca se incline sobre una parrilla abierta ni coloque las manos o los dedos de las manos sobre superficies calientes.
- Limpie bien la parrilla regularmente.
- No obstruya los orificios de ventilación que se encuentran en los laterales o en la parte posterior de la parrilla.
- Nunca procure utilizar una parrilla o cualquier componente que se hayan dañado o se han expuesto a un fuego accidental.

- El gas propano no es gas natural. No intente convertir esta parrilla a gas natural, dado que esto anulará la garantía y es extremadamente peligroso.
- Coloque la tapa guardapolvo en la salida de la válvula del tubo cuando el tubo no esté en uso. Solo instale en la salida de la válvula del tubo el tipo de tapa guardapolvo suministrado con la válvula del tubo. Otros tipos de tapas o tapones pueden provocar una fuga de propano.
- No almacene ni use gasolina ni otros líquidos o vapores inflamables en las cercanías de la parrilla.
- Use mitones o guantes resistentes al calor, y utensilios con mangos largos al operar esta parrilla.
- Residentes de departamentos: Consulten con la administración para conocer los requisitos y los códigos sobre incendios respecto del uso de una parrilla de gas PL en su complejo de departamentos.
- Guarde estas instrucciones. Consúltelas con frecuencia y úselas para dar instrucciones a otras personas que puedan usar esta parrilla. Si le presta a alguien esta parrilla, préstele también estas instrucciones.

CALIFORNIA - PROPUESTA DE LEY NÚM. 65



ADVERTENCIA:

1. Los productos secundarios de la combustión que se generan al usar este producto contienen sustancias químicas que el estado de California reconoce que provocan cáncer, defectos de nacimiento y otros daños reproductivos. Para reducir el riesgo de exposición a estas sustancias, siempre use la parrilla en un área bien ventilada.




2. Este producto contiene sustancias químicas, incluidas plomo y compuestos del plomo, que el estado de California reconoce que provocan, cáncer, defectos de nacimiento u otros daños reproductivos. **Lávese las manos después de manipular este producto.**

Para minimizar la exposición a estas sustancias, siempre opere esta unidad de conformidad con el manual de uso y cuidado, y asegúrese de proporcionar ventilación adecuada cuando cocina con gas.




En Massachusetts: Todos los productos de gas deben ser instalados por un plomero o gasista con licencia de Massachusetts. Debe instalarse una válvula de gas manual con mango en "T" en la línea de suministro de gas a este aparato. Esto se aplica a las instalaciones permanentes de gas natural y de propano. Esto no se aplica a las instalaciones portátiles de propano que usan un tanque de 9,09 kg (20 lb).

SIMBOLOS

Las siguientes palabras de señalización y sus significados tienen el objeto de explicar los niveles de riesgo relacionados con este producto.

SÍMBOLO	SEÑAL	SIGNIFICADO
	PELIGRO:	Indica una situación peligrosa inminente, la cual, si no se evita, causará la muerte o lesiones serias.
	ADVERTENCIA:	Indica una situación peligrosa posible, la cual, si no se evita, podría causar la muerte o lesiones serias.
	PRECAUCIÓN:	Indica una situación potencialmente peligrosa la cual, si no se evita, puede causar lesiones leves o moderadas.
	AVISO:	(Sin el símbolo de alerta de seguridad) Indica información importante no relacionada con ningún peligro de lesiones, como una situación que puede ocasionar daños físicos.

Es posible que se empleen en este producto algunos de los siguientes símbolos. Le suplicamos estudiarlos y aprender su significado. Una correcta interpretación de estos símbolos le permitirá utilizar mejor y de manera más segura el producto.

SÍMBOLO	NOMBRE	DENOMINACIÓN/EXPLICACIÓN
	Alerta de seguridad	Indica un peligro posible de lesiones personales
	Lea el manual del operador	Para reducir el riesgo de lesiones, el usuario debe leer y comprender el manual del operador antes de usar este producto.
	Superficie caliente	Para reducir el riesgo de lesiones corporales o daños materiales evite tocar toda superficie caliente.

CARACTERÍSTICAS

ESPECIFICACIONES DEL PRODUCTO

Capacidad nominal en BTU 48 000
Superficie principal para asar..... 450 pulg. cuad.
..... (25,75 pulg. x 17,5 pulg.)
Anaquel calentador 150 pulg. cuad.
..... (24,5 pulg. x 6 pulg.)

Superficie total de la parrilla..... 600 pulg. cuad.
Altura de la superficie para asar..... 34,5 pulg.
Fuente de combustible propano (no incluido)
Convertible a gas natural Sí
[Kit de conversión (SGA7000) se vende por separado]

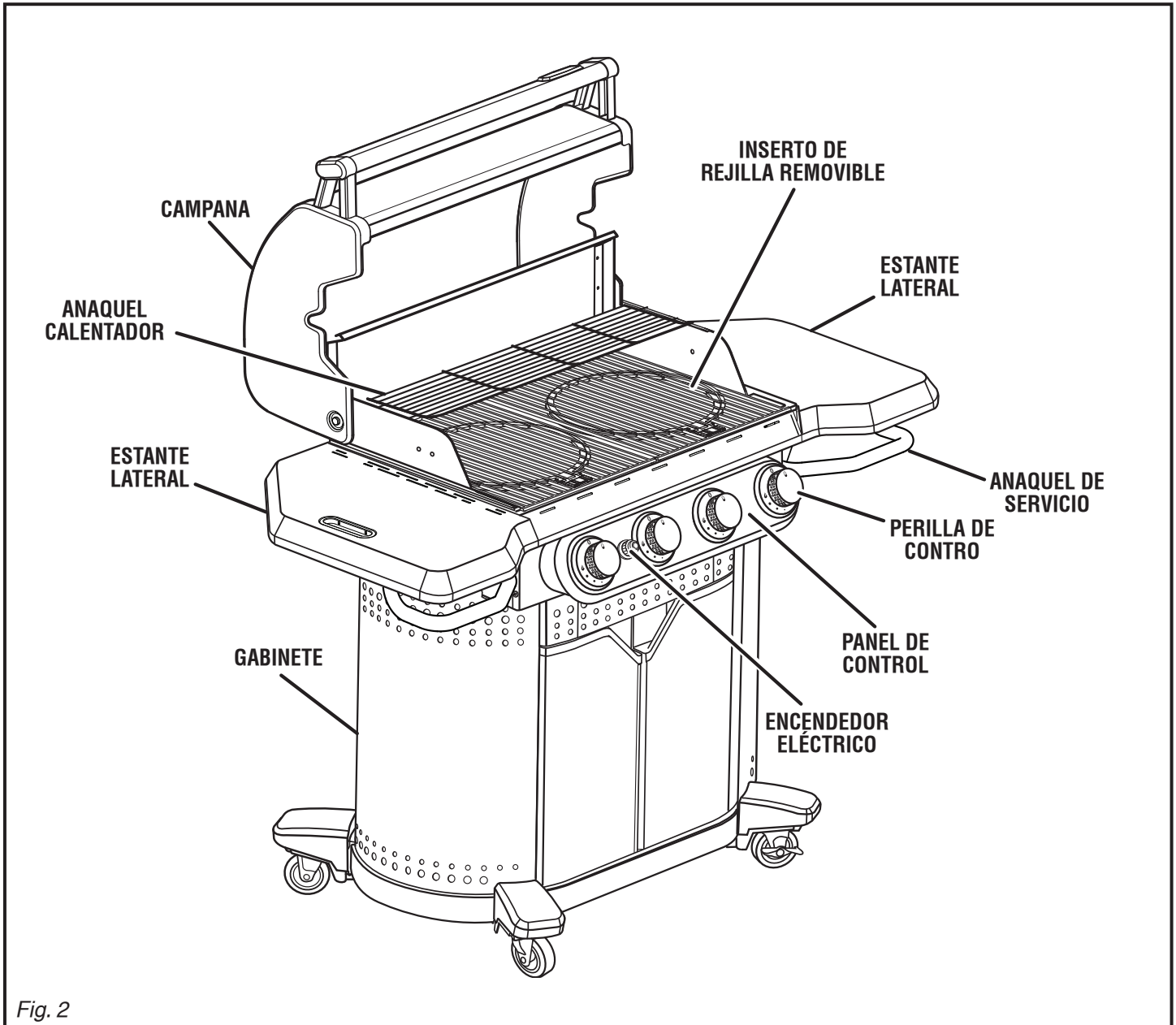


Fig. 2

CARACTERÍSTICAS

CONOZCA SU PARRILLA

Vea la figura 2.

Para usar esta parrilla con la debida seguridad se debe comprender la información indicada en la parrilla misma y en este manual, y se debe comprender también el trabajo que intenta realizar. Antes de usar esta parrilla, familiarícese con todas las características de funcionamiento y normas de seguridad del mismo.

GABINETE - El gabinete de acero de dos puertas se desliza fácilmente de un lugar a otro. La base del gabinete tiene un recorte para apoyar el tubo de gas PL.

ENCENDEDOR ELÉCTRICO - El encendedor usa una batería AA que enciende los quemadores de gas cuando se lo presiona.

PANEL DE CONTROL DELANTERO - Controle los niveles de calor desde el frente de la parrilla usando las perillas de control.

HERRAMIENTA PARA EXTRAER INSERTOS - Le permite colocar y extraer fácilmente una variedad de insertos de cocina STK.

ALMACENAMIENTO DE INSERTO - El almacenamiento de insertos ranurado que se encuentra dentro del gabinete almacena la plancha, la piedra para pizza y la bandeja para vegetales hasta que se necesiten.

PIEDRA PARA PIZZA - Prepare pizza con la calidad de un horno de ladrillos usando la parrilla y la piedra para pizza de cerámica porosa. La piedra para pizza absorbe el calor para permitir una cocción uniforme. La piedra perderá color con el uso, pero esto no afectará el rendimiento.

INSERTOS DE REJILLA REMOVIBLES - Quite una o ambas piezas insertables de la rejilla redonda de hierro fundido recubierta de porcelana cuando utilice la piedra para pizzas u otras piezas insertables (se venden por separado).

ESTANTES LATERALES - Los estantes laterales proporcionan superficies planas para su comodidad.

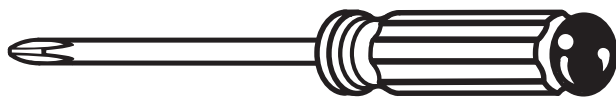
ANAQUEL PARA ESPECIAS - Mantenga las especias al alcance de la mano almacenándolas en el cómodo anaquel ajustable para especias que se encuentra montado en el interior de la puerta del gabinete.

INDICADOR DE TEMPERATURA - El indicador de temperatura que se encuentra en la campana mide la temperatura del aire en el interior de la parrilla. La temperatura del aire nunca es tan caliente como la temperatura de la superficie de cocción.

ANAQUEL CALENTADOR - Ubicado en el interior de la campana, el anaquel calentador mantiene calientes los alimentos cocidos hasta el momento de servirlos.

HERRAMIENTAS NECESARIAS

Para armar la unidad y efectuar ajustes se necesitan las siguientes herramientas (no incluido o dibujado para escalar):



DESTORNILLADOR
PHILLIPS



LLAVE AJUSTABLE

Fig. 3

PIEZAS SUELTAS

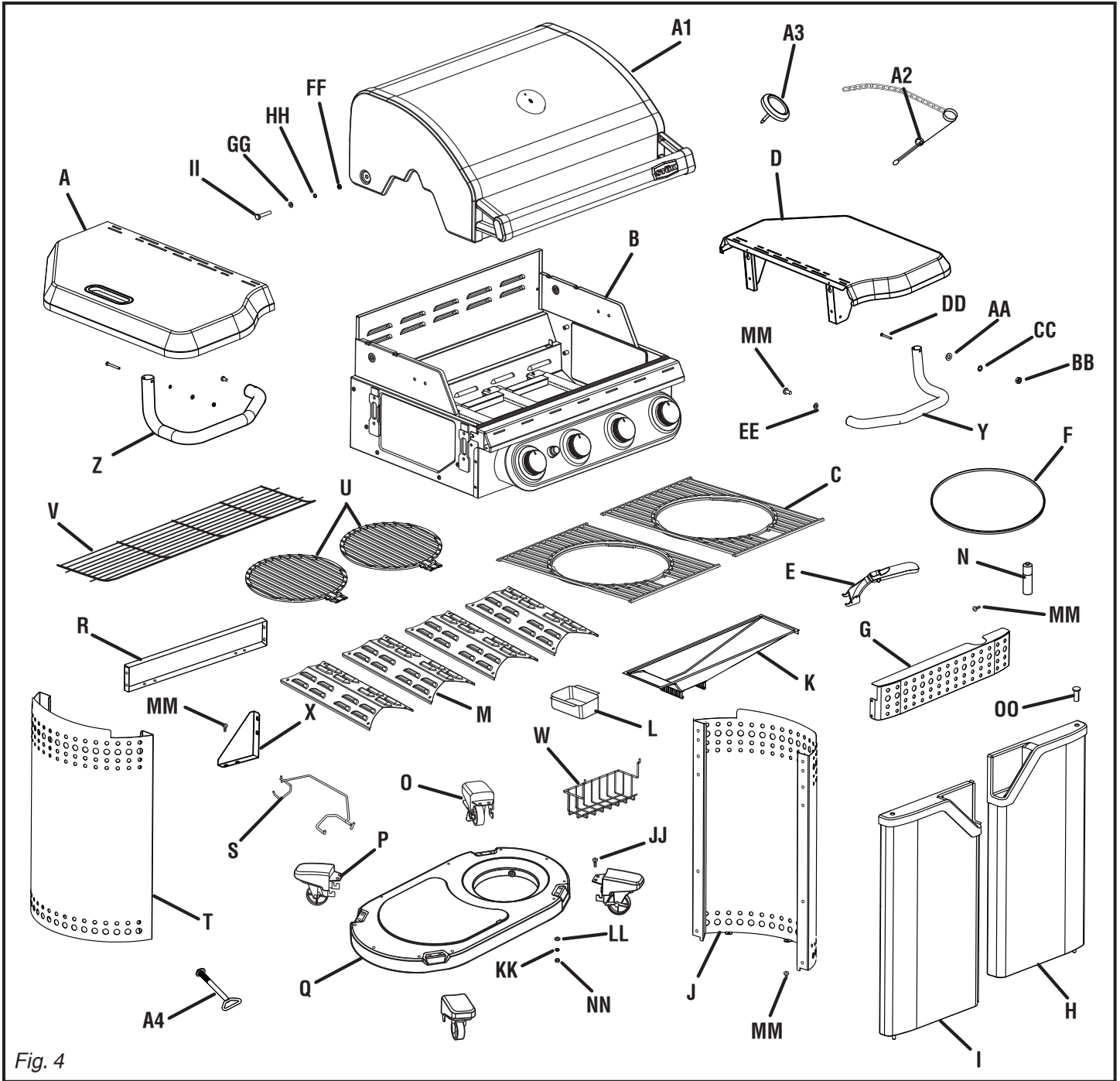


Fig. 4

PIEZAS SUELTAS

Descripción	Cant.	Descripción	Cant.
A - Estante lateral (izquierda).....	1	ENVOLTORIO PLÁSTICO DE PIEZAS DE FERRETERIA	
B - Conjunto de la caja de fuego.....	1	AA - Arandela de seguridad, M4	2
C - Rejilla	2	BB - Tuerca hexagonal, M4	2
D - Estante lateral (derecha)	1	CC - Arandela, M4	2
E - Herramienta para extraer insertos	1	DD - Perno, M4 x 40 mm	2
F - Piedra para pizza	1	EE - Arandela plana SS	1
G - Panel delantero.....	1	FF - Tuerca de la campana, M6	2
H - Puerta (derecha).....	1	GG - Arandela M6	2
I - Puerta (izquierda).....	1	HH - Arandela de seguridad, M6	2
J - Panel lateral (derecha)	1	II - Perno de la campana, M6	2
K - Bandeja para grasa	1	JJ - Perno, M6 x 15	8
L - Depósito para grasa	1	KK - Arandela de seguridad.....	8
M- Difusor de calor	4	LL - Arandela, M6	8
N - Batería AA.....	1	MM- Perno, M5 x 12 mm	36
O - Conjunto de las ruedas con traba (lado derecha de la base).....	2	NN - Tuerca hexagonal, M6	8
P - Conjunto de las ruedas (lado izquierdo de la base)	2	OO - Pasador.....	2
Q - Panel inferior	1		
R - Panel posterior.....	1		
S - Almacenamiento de inserto	1		
T - Panel lateral (izquierda).....	1		
U - Inserto de rejilla removible.....	2		
V - Anaquel calentador.....	1		
W- Anaquel para especia	1		
X - Riostra.....	4		
Y - Barra de servicio (derecho).....	1		
Z - Barra de servicio (izquierdo)	1		
A1- Conjunto de la campana	1		
A2- Encendedor del soporte para fósforos.....	1		
A3- Conjunto de medidor de temperatura	1		
A4- Perno de retención del tubo/arandele/tornillo	1		

DESEMPAQUETADO

Este producto requiere armarse.

- Extraiga cuidadosamente de la gril y colóquela sobre una superficie de trabajo nivelada.

NOTA: Esta gril es pesada. Para evitar lesionarse la espalda, mantenga dobladas las rodillas, levante con las piernas, no con la espalda, y obtenga ayuda cada vez que la necesite.

ADVERTENCIA:

No utilice este producto si alguna pieza incluida en la lista de piezas sueltas (o lista de contenido) ya está ensamblada al producto cuando lo desempaqueta. El fabricante no ensambla las piezas de esta lista en el producto. Éstas deben ser instaladas por el usuario. El uso de un producto que puede haber sido ensamblado de forma inadecuada podría causar lesiones personales graves.

- Inspeccione cuidadosamente la gril para asegurarse de que no haya sufrido ninguna rotura o daño durante el transporte.
 - No deseche el material de empaquetado antes de terminar de inspeccionar cuidadosamente la gril, identificar todas las piezas sueltas y utilizar satisfactoriamente la gril.
- NOTE :** Algunas piezas sueltas están ubicadas en el interior del conjunto de la parrilla detrás de la campana.
- Si hay alguna parte dañada o faltante, llame al 1-800-847-5993, donde le brindaremos asistencia.

ADVERTENCIA:

Si hay piezas dañadas o faltantes, no utilice esta gril sin haber reemplazado todas las piezas. Usar este producto con partes dañadas o faltantes puede causar lesiones serias al operador.

PRECAUCIÓN:

Algunas piezas pueden contener bordes filosos que pueden causar lesiones personales. Si es necesario, use guantes protectores.

PASO 1: INSTALACIÓN DEL PERNO DE RETENCIÓN DEL CILINDRO CONJUNTO DE LAS RUEDAS

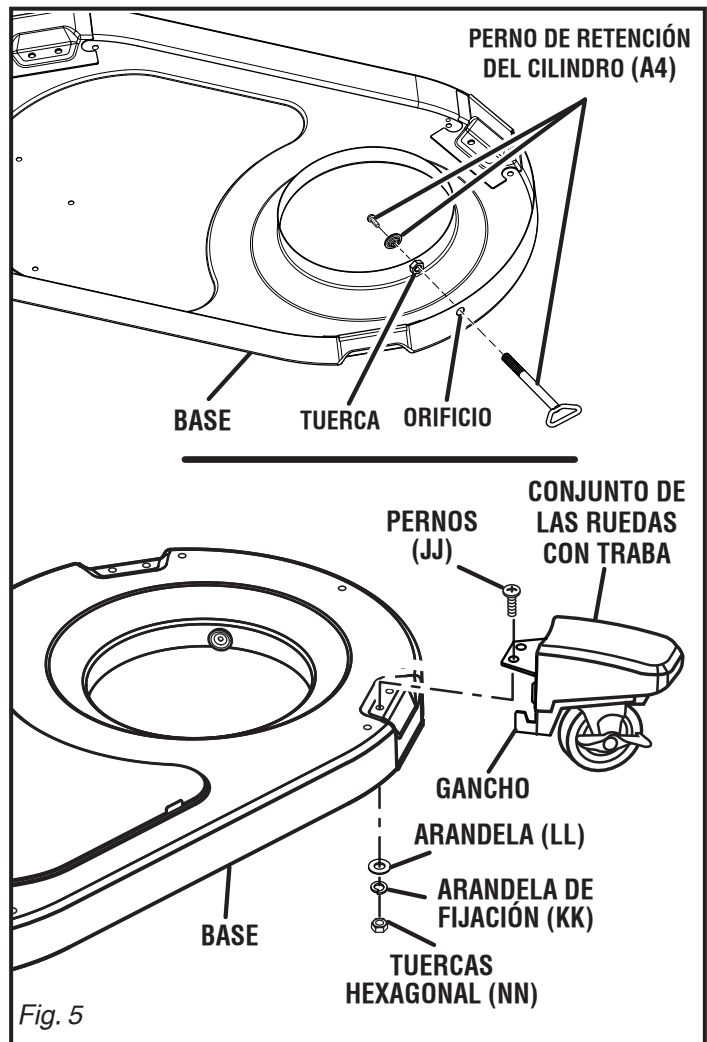
Vea la figura 5.

- Utilice un destornillador Phillips para retirar el tornillo del extremo del perno. Retire la arandela.
- Introduzca el perno por el orificio y atorníllelo dentro de la tuerca sujeta a la base. Gire el perno en sentido horario hasta que el extremo atraviese la tuerca.

- Vuelva a colocar la arandela y el tornillo sobre el perno y apriete el tornillo firmemente.

El lado derecho de la base tiene un recorte circular donde se colocará el tanque de gas PL. Los dos conjuntos de las ruedas con traba deben instalarse en el lado derecho de la base.

- Incline el conjunto de las ruedas de manera que la campana que se encuentra en la parte de abajo de la rueda pueda colocarse debajo de la base.
- Manteniendo la campana debajo de la base, incline la parte posterior del conjunto de las ruedas hasta que los orificios del conjunto de las ruedas se alineen con los orificios de la base.
- Deslice (2) pernos, M6 x 15 mm (JJ), a través de la lengüeta que se encuentra en la parte trasera del conjunto de las ruedas y dentro de la base.
- Usando arandelas (LL), arandelas de seguridad (KK) y tuercas hexagonales M6 (NN), apriete el conjunto de las ruedas firmemente a la base.
- Repita el procedimiento para los otros tres conjuntos de las ruedas.
- Fije la base a una superficie plana.



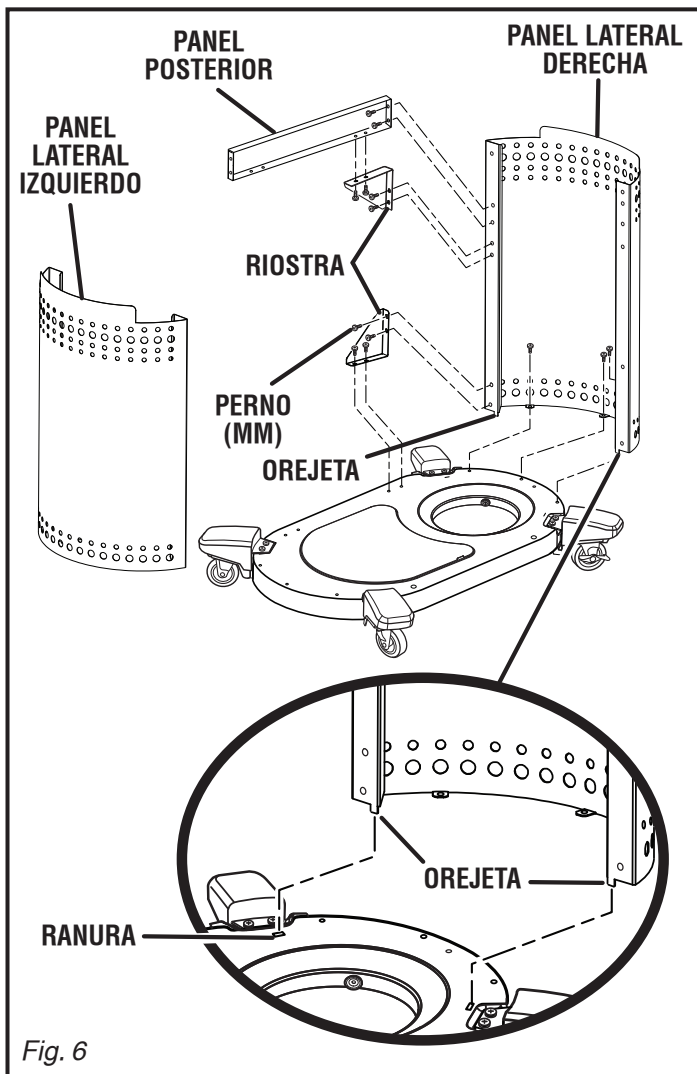


Fig. 6

PASO 2: ARMADO DE LOS PANELES LATERALES Y MONTAJE EN LA BASE

Vea la figura 6.

- Deslice las lengüetas dentro de las ranuras; luego, deje reposar el panel sobre la base, alineando los orificios de las lengüetas que se encuentran en la parte inferior del panel del lado derecho con los orificios del lado izquierdo de la base.
- Deslice tres pernos M5 x 12 mm (MM) por lado, a través de la lengüeta y dentro de la base. Apriete firmemente.
- Repita los pasos anteriores para instalar el panel del lado izquierdo.

PASO 3: ARMADO DEL RIOSTRA Y PANEL TRASERO

Vea las figuras 6 - 7.

Installation du panneau arrière :

- Coloque dos pernos, M5 x 12 mm (MM), a través de la parte lateral del panel trasero y dentro del panel lateral. Apriete firmemente. Repita para otro lado.

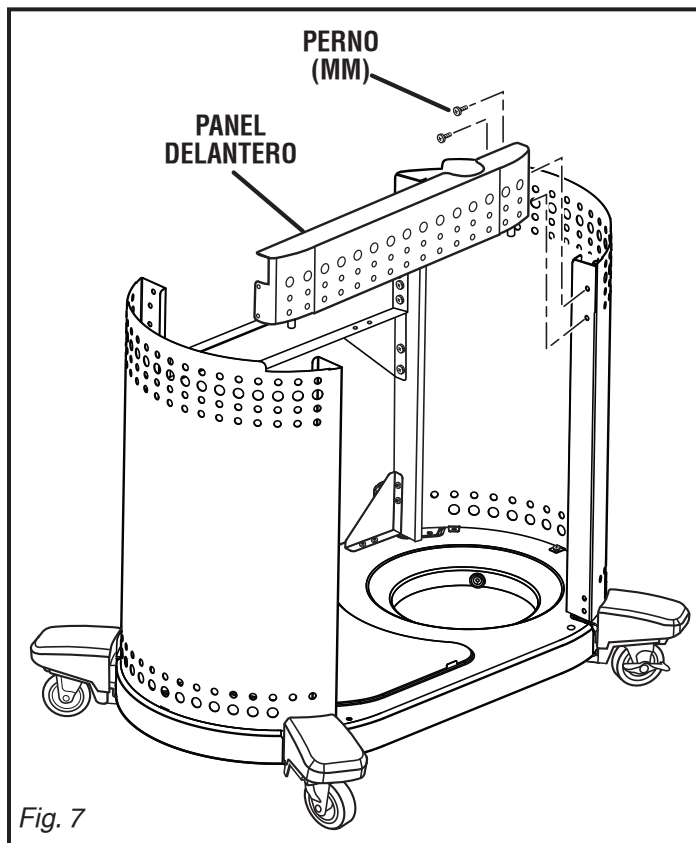


Fig. 7

Installation los riostras:

- Asegure dos riostras de la base y el panel lateral que utilizar M5 x 12 mm pernos (MM). Apriete firmemente.
- Asegure quedarse dos riostras al lado lateral y paneles posterior que utilizan M5 x 12 mm pernos (MM). Apriete firmemente.

Instalación del panel delantero:

- Desde la parte delantera de la base, alinee los orificios del panel delantero con los orificios de la parte superior de los paneles laterales.

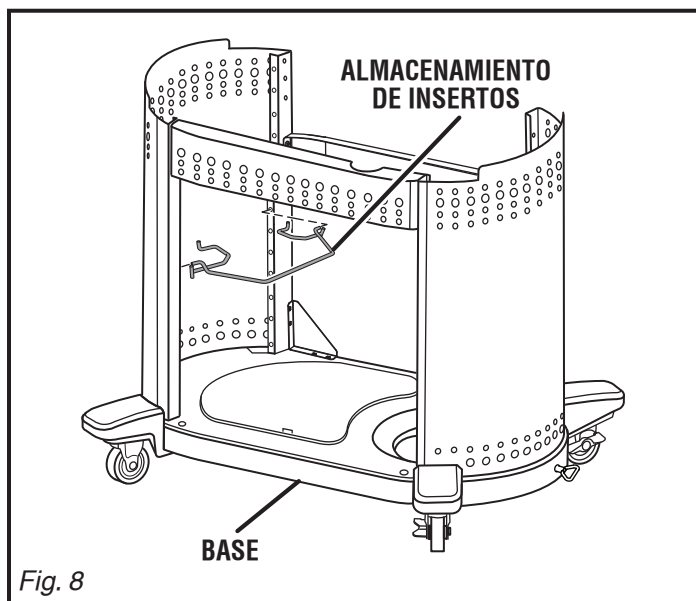


Fig. 8

ARMADO

- Asegure el panel delantero a los paneles laterales usando cuatro pernos, M5 x 12 mm (MM).

PASO 4: MONTAJE DEL ALMACENAMIENTO DE INSERTOS EN LA BASE

Vea la figura 8.

- Introduzca el alambre de montaje para el estante para piezas insertables en los orificios del interior del gabinete.
- Agregue más soportes de almacenamiento según sea necesario.

PASO 5: MONTAJE DEL CONJUNTO DE LA PARRILLA EN EL GABINETE

Vea la figura 9.

NOTA: Este paso requiere que dos personas levanten y ubiquen correctamente el conjunto de la parrilla en el gabinete.

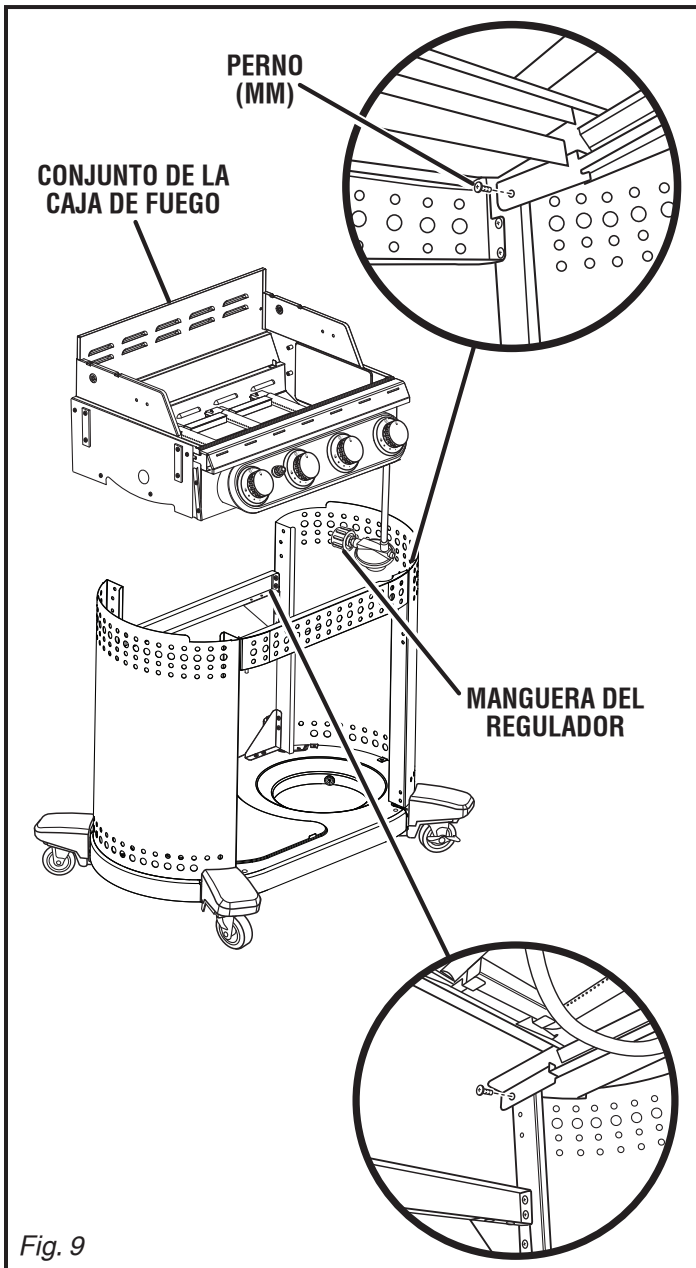


Fig. 9

- Haga descender la caja de fuego sobre el gabinete alineando los orificios de la caja de fuego con los del gabinete.
- NOTA:** La manguera del regulador no debe quedar colgando en el interior del gabinete, tenga cuidado de no dañarla.

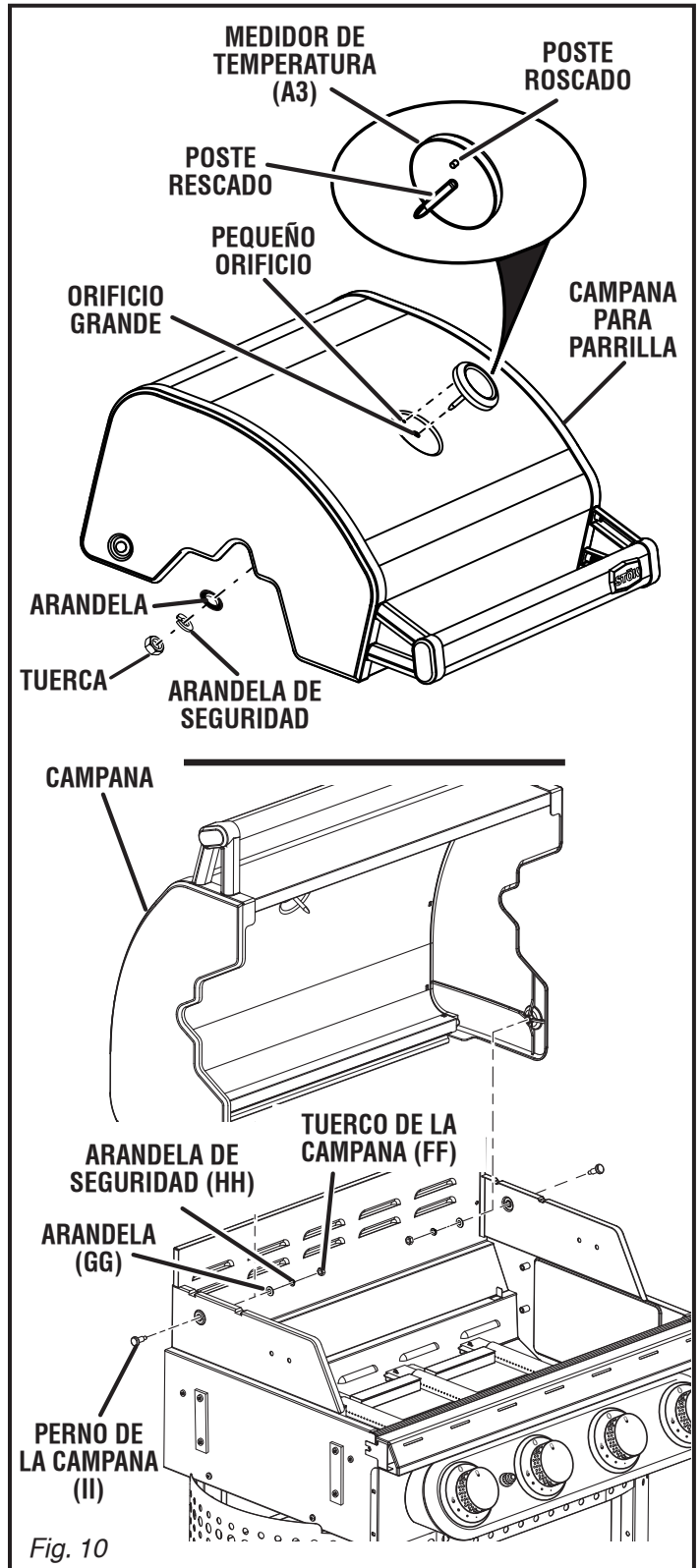


Fig. 10

- Usando cuatro pernos, M5 x 12 mm (MM), uno en cada esquina, asegure el conjunto de la parrilla al gabinete.

PASO 6: INSTALACIÓN DE LA CAMPANA SOBRE LA CAJA DE FUEGO

Vea la figura 10.

- Para instalar del medidor de temperatura, retire la tuerca hexagonal, la arandela de seguridad y la arandela del medidor de temperatura.
- Inserte el poste roscado a través del orificio grande de la campana e inserte el poste pequeño en el orificio pequeño de la campana.
- Instale la arandela, la arandela de seguridad y la tuerca hexagonal en el poste. Apriételos con firmeza.
- Alinee los orificios de la campana con los de la caja de fuego.
- Introduzca el perno de la campana (II) en el orificio de la campana y en el de la caja de fuego.
- Deslice la arandela de seguridad (GG) y la arandela (HH) sobre el perno de la campana.
- Apriete firmemente las tuercas de la campana (FF).

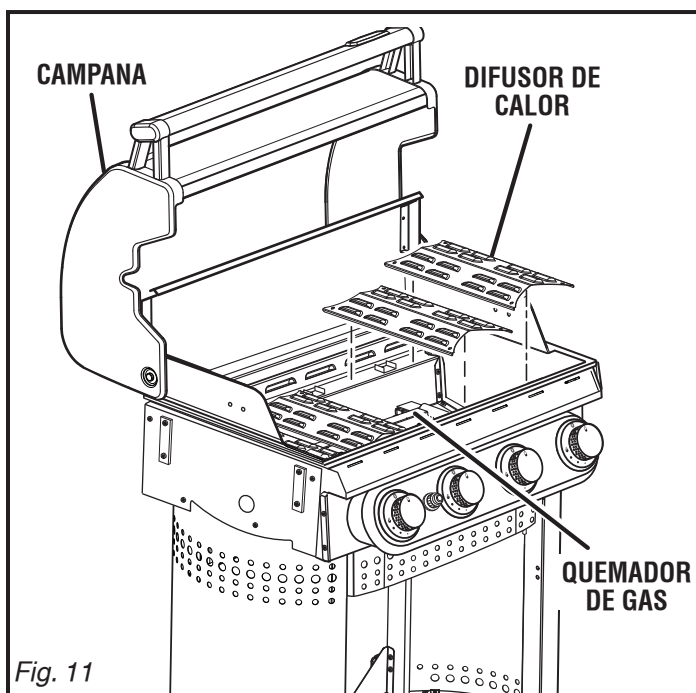


Fig. 12

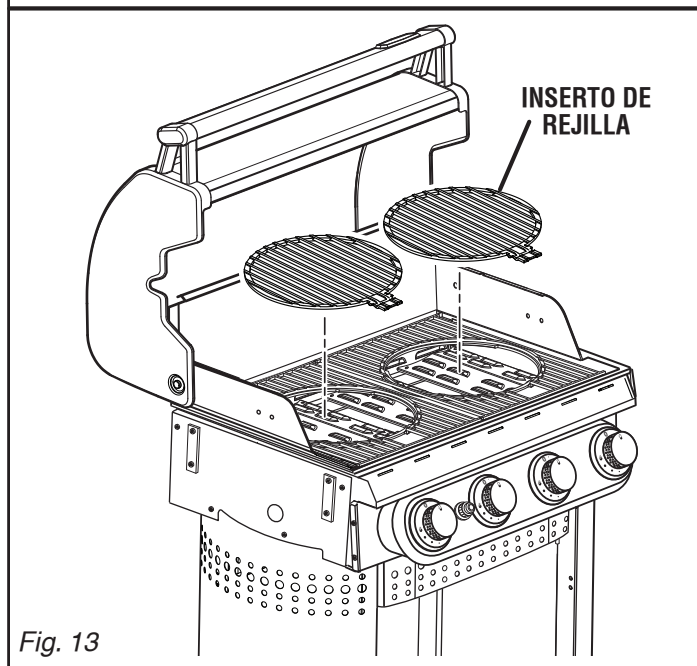


Fig. 13

STEP 7: INSTALACIÓN DE LA DIFUSORES DE CALOR

Vea la figura 11.

Los difusores de calor tienen la función de distribuir el calor en el interior de la parrilla uniformemente. No ase sin haber instalado los difusores de calor.

- Levante completamente la campana.
- Coloque cuidadosamente los difusores de calor sobre los quemadores de gas.

PASO 8: INSTALACIÓN DE LA REJILLA Y DE LOS INSERTOS DE REJILLA

Vea las figuras 12 - 13.

- Levante completamente la campana.
- Cuidadosamente deposite las rejillas en el interior del conjunto de la parrilla.
- Fije un inserto de rejilla redondo en el orificio de cada una de las rejillas.

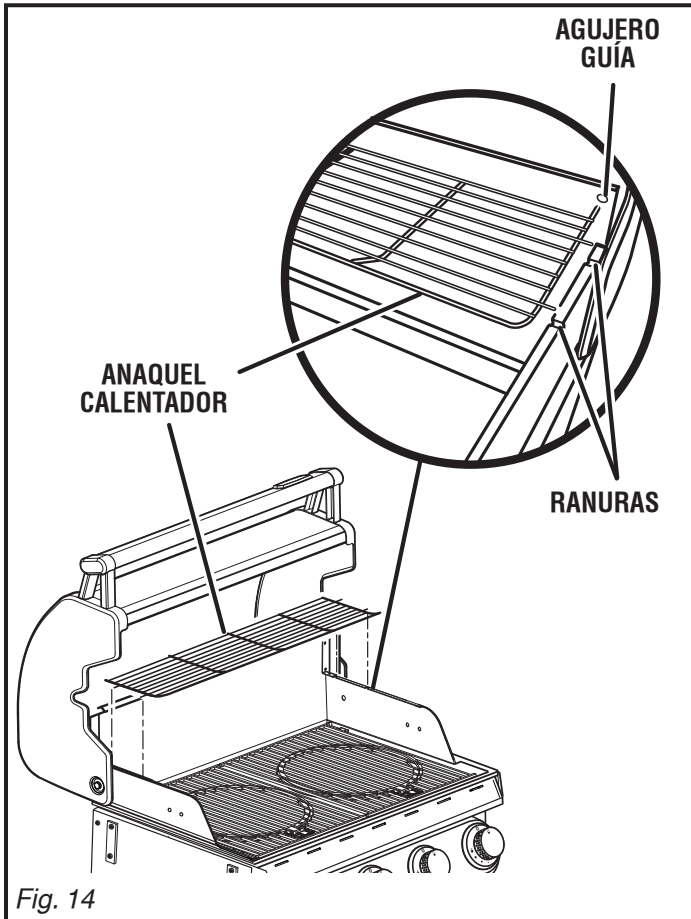
PASO 9: INSTALACIÓN DEL ANAQUEL CALENTADOR

ARMADO

Veja la figura 14.

- Levante completamente la campana.
- Apoye el estante de calentamiento en las ranuras que se encuentran a cada lado de la campana y bloquéela en los agujeros guía como se muestra en la figura.

PASO 10: INSTALACIÓN DE LOS ESTANTES LATERALES



Veja las figuras 15 - 16.

Para instalar la barra de servicio sobre el estante lateral:

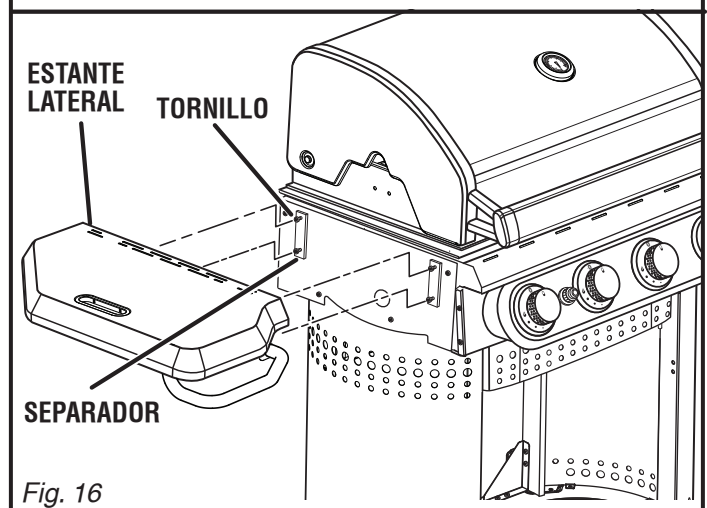
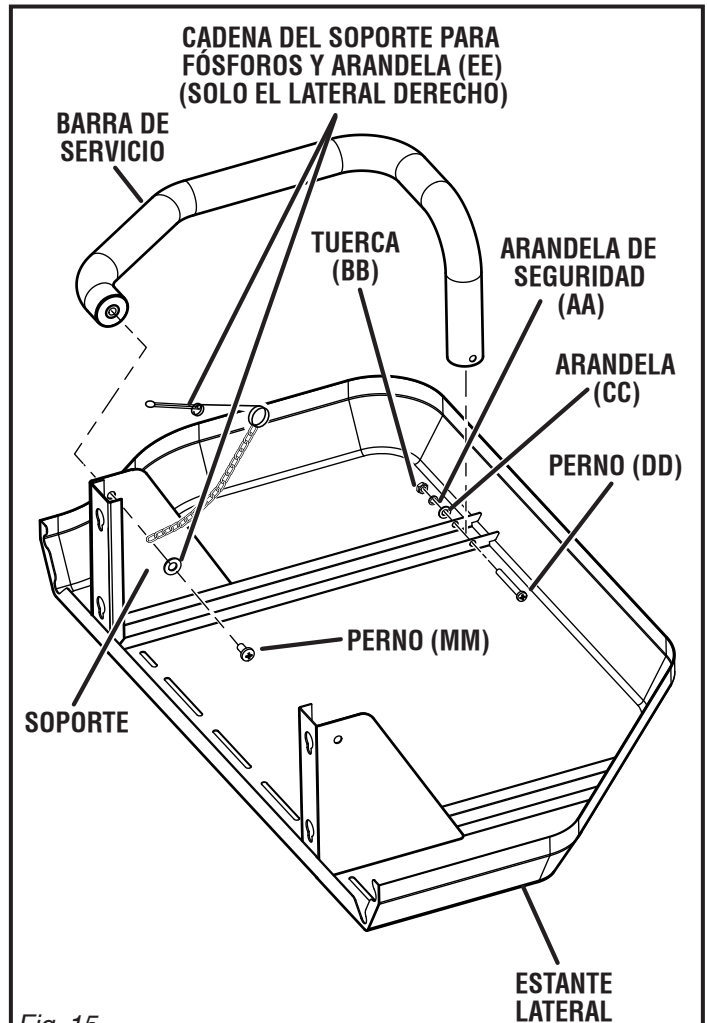
- Alinee los orificios de la barra de servicio con los que se encuentran debajo del estante lateral.
- Introduzca un perno M5 x 12 mm (MM) en el orificio del soporte y en el extremo de la barra.
- Solo en el estante del lateral derecho, coloque la cadena del soporte para fósforos y la arandela (GG) entre la barra de servicio y el soporte.
- Introduzca un perno M4 x 40 mm (DD) a través de los orificios y la barra. Deslice la arandela de seguridad (AA) y la arandela (CC) sobre el perno. Apriete firmemente la tuerca hexagonal (BB).

Para instalar el estante lateral:

- Retire el tornillo inferior de los espaciadores que se encuentran a cada lado de la caja de fuego.
- Afloje el tornillo superior de los espaciadores.
- Deslice la placa con orificios del estante lateral sobre los tornillos superiores.

- Alinee los orificios de la parte inferior del espaciador con los orificios inferiores del estante lateral.
- Fije con los tornillos que retiró antes y apriete el tornillo superior.

PASO 11: INSTALACIÓN DE LAS PUERTAS DE LA PARRILLA



ARMADO

Vea la figura 17.

- Sosteniendo la puerta de la parrilla (izquierda) firmemente, deslice el pasador que se encuentra en la parte inferior de la puerta dentro del orificio de la base del gabinete.
- Alinee el orificio de la parte superior de la puerta con el orificio (lado izquierdo) del panel delantero.
- Desde el interior del gabinete, deslice el pasador de posicionamiento (FF) dentro del orificio del panel delantero y a través del orificio de la parte superior de la puerta de la parrilla.
- Repita los pasos anteriores para la puerta derecha de la parrilla.

PASO 12: INSTALACIÓN DE LA BANDEJA PARA GRASA Y DEL DEPÓSITO PARA GRASA

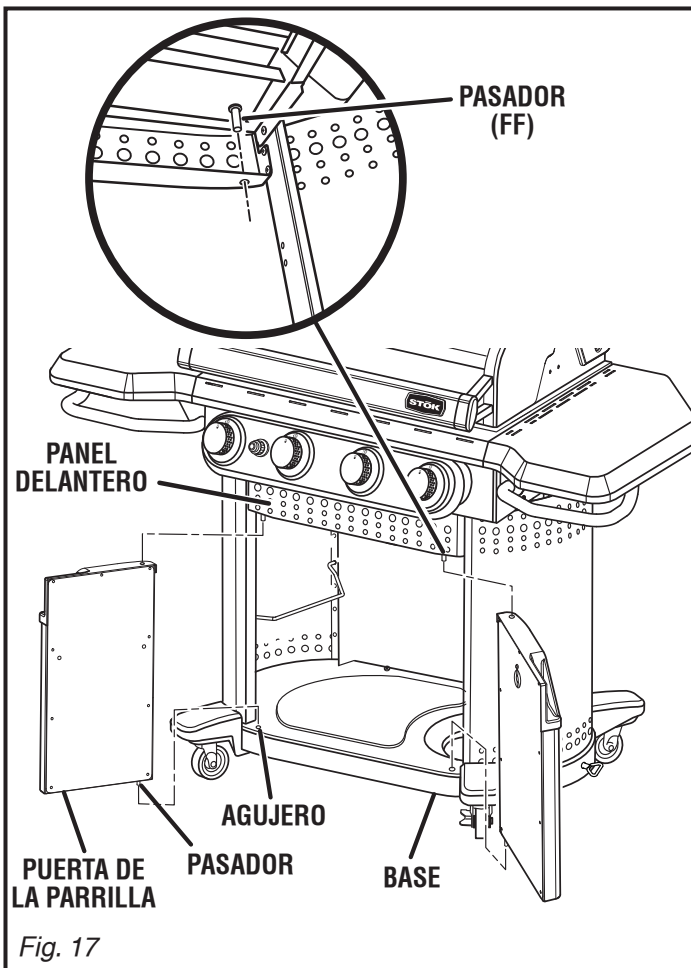


Fig. 17

Vea la figura 18.

- Desde atrás de la parrilla, deslice la bandeja para grasa dentro de los soportes para bandejas.
- Con la bandeja para grasa colocada firmemente en su lugar, deslice el depósito para grasa dentro de los soportes del depósito que se encuentran en la parte inferior de la bandeja para grasa.

NOTA: Limpie la bandeja para grasa y el depósito para grasa después de cada uso. No retire la bandeja para

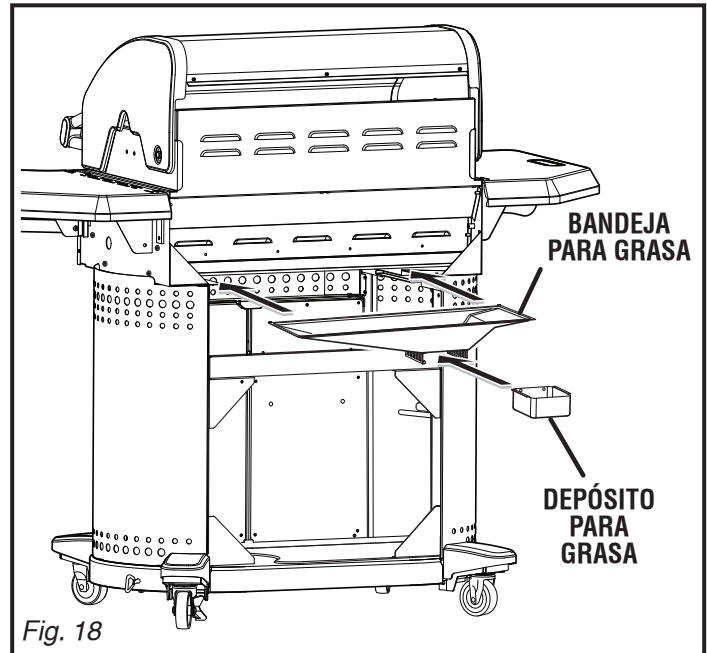


Fig. 18

grasa ni el depósito para grasa hasta que la parrilla se haya enfriado completamente.

PASO 13: MONTAJE DEL ANAQUEL PARA ESPECIAS EN LA PUERTA DE LA PARRILLA

Vea la figura 19.

- Incline el anaquel para especias inferior de manera que el cable colgante y los orificios de la puerta izquierda de la parrilla queden alineados.
- Coloque el cable en los orificios y deje que el anaquel para especias descansa contra el interior de la puerta.

PASO 14: INSTALACIÓN DE LA BATERÍA EN EL ENCENDEDOR

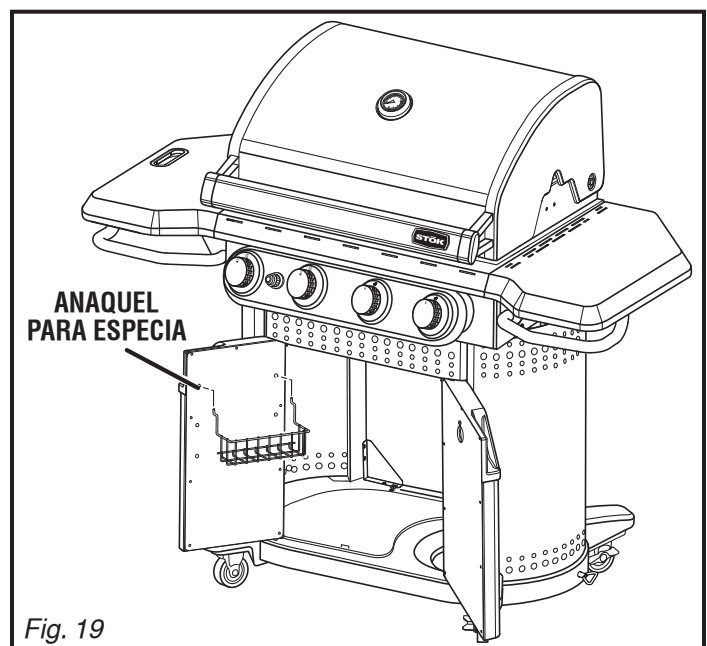


Fig. 19

Vea la figura 20.

- Gire la tapa del encendedor hacia la izquierda y levante la tapa del panel de control.
- Deslice una batería AA, con el extremo negativo (—) primero, dentro del encendedor. Asegúrese de que el resorte todavía se encuentre en su lugar en el interior de la tapa del encendedor.
- Vuelva a colocar la tapa del encendedor.

USO DE GAS PL (PROPANO LÍQUIDO TAMBIÉN LLAMADO PETRÓLEO LÍQUIDO)

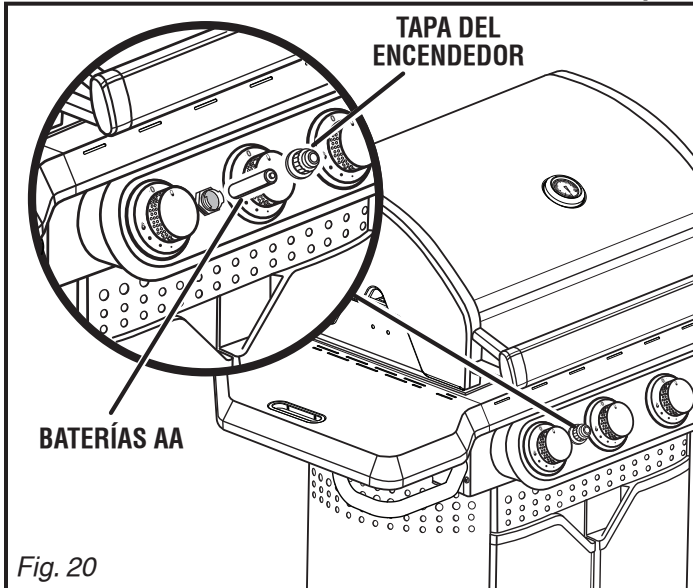


Fig. 20

El gas PL es altamente inflamable y puede prenderse fuego inesperadamente al mezclarse con el aire. El tubo de gas PL usado con esta parrilla debe cumplir con los siguientes requisitos:

- Debe ser construido y marcado según las Especificaciones para tubos de gas PL (Specifications for LP Gas Cylinders) del Departamento de Transporte (Department of Transportation, D.O.T.) de los EE. UU., o según las Normas Nacionales de Canadá (National Standard of Canada), CAN/CSA-B339, Cilindros, esferas y tubos para la Comisión de transportes de artículos peligrosos.
- Medidas: 304,8 mm (12 pulg.) de diámetro x 457,2 mm (18 pulg.) de alto con una capacidad máxima de 9,09 kg (20 lb).
- La válvula del tubo debe tener:
 - Dispositivo de conexión al tubo (Tipo 1) compatible con el conector para la parrilla.
 - Válvula de alivio de seguridad.



OPD MANIVELA
(Overfill Protection Device, OPD) registrado en Underwriter's Laboratories (UL). Esta característica de seguridad OPD está identificada por una manivela triangular exclusiva. Use solo

tubos de gas PL con este tipo de válvula.

- Está preparado para la eliminación de vapor e incluye un collar para proteger la válvula del tubo PL. Siempre conserve el tubo de gas PL en posición vertical durante el uso, transporte o almacenamiento.

PASO 15: CONEXIÓN DEL REGULADOR AL TUBO DE GAS PL

Vea las figuras 21 - 24.

- Abra las puertas del gabinete.
- Asegúrese de que manivella está en su posición apagado.
- Con las rodillas dobladas y en posición adecuada para levantar un objeto, levante cuidadosamente el tubo de gas PL. Coloque el tubo en la base con la parte inferior del tubo ubicada firmemente en el recorte de la base.
- Gire el perno de retención del tubo hacia la derecha hasta que el tubo esté asegurado en la base. No apriete en exceso.
- Retire la tapa del tubo de gas PL.
- Sostenga el regulador firmemente e introduzca la boquilla

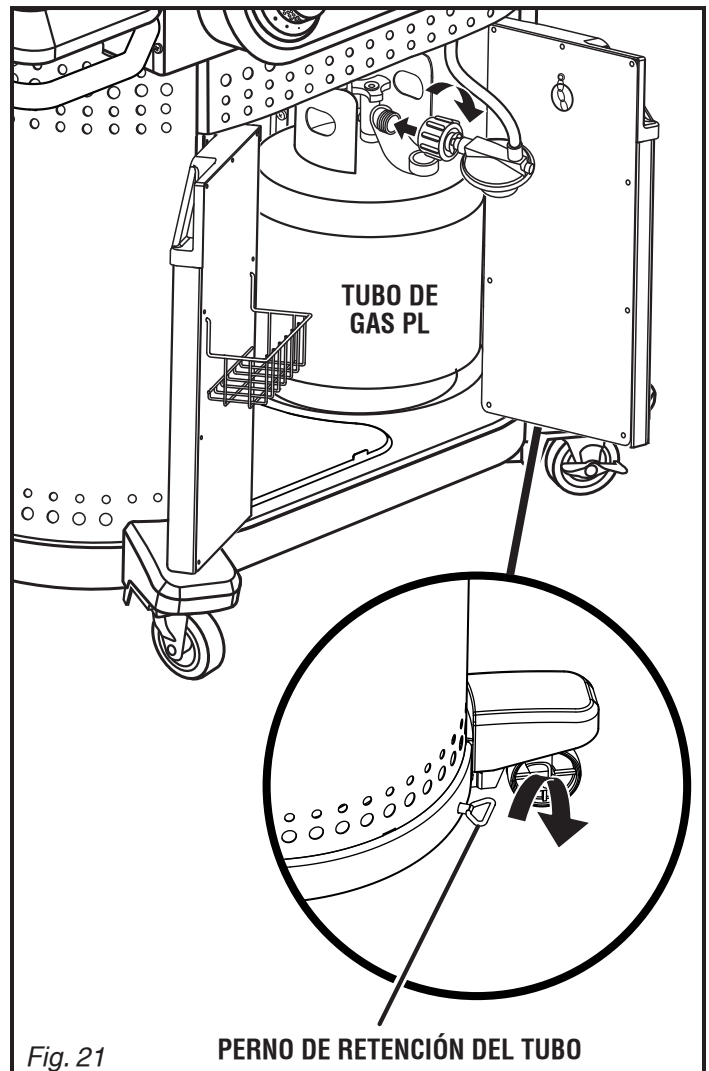


Fig. 21

ARMADO

dentro de la válvula del tubo de gas.

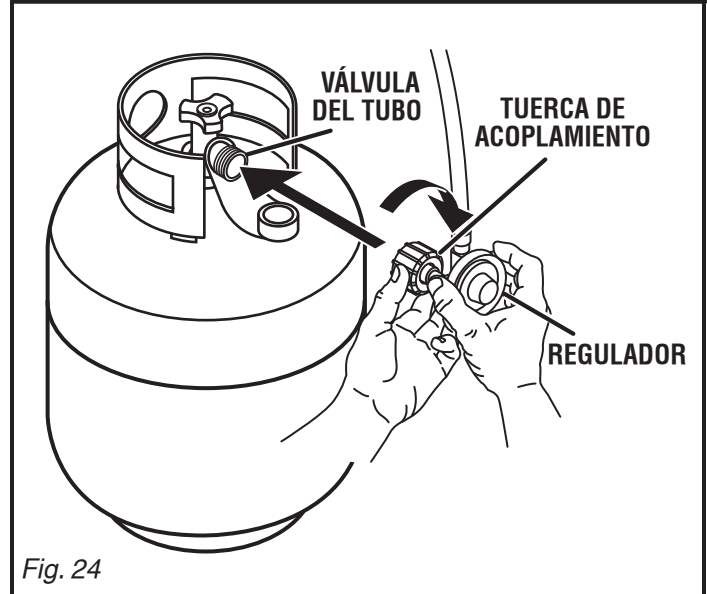
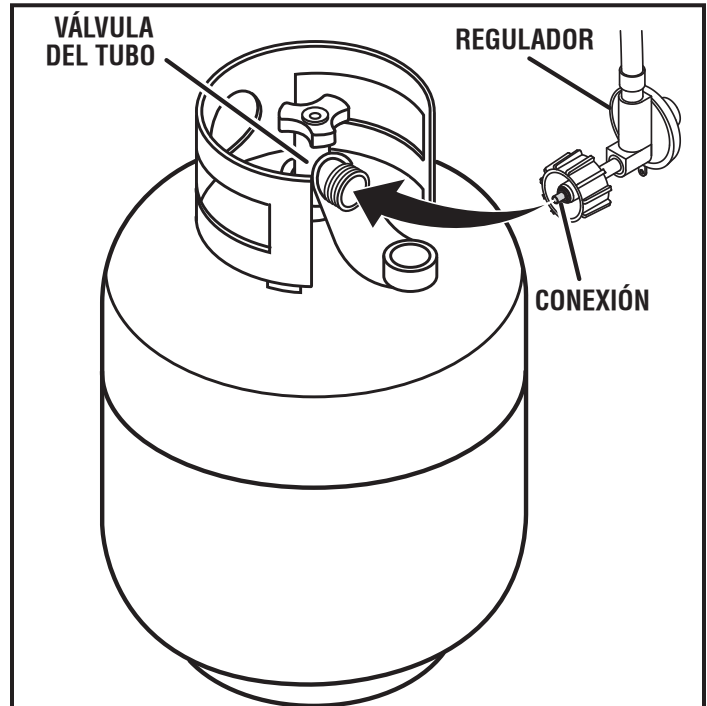
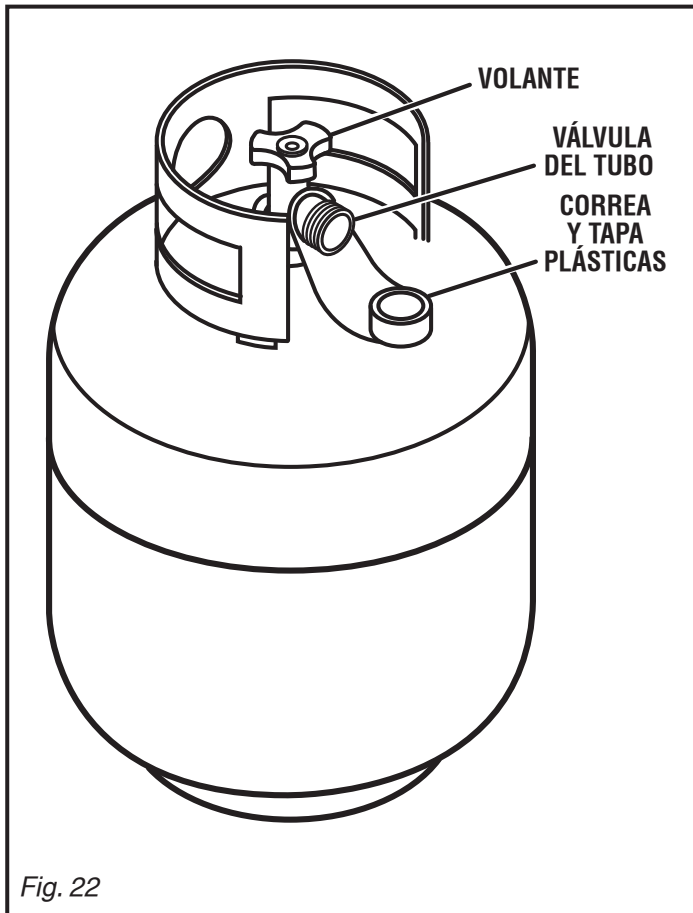
NOTA: La boquilla debe estar centrada en la válvula del tubo.

- Sosteniendo la tuerca de acoplamiento y el regulador como se muestra, gire la tuerca de acoplamiento hacia la derecha y apriete con la mano sin estropear la conexión. No use herramientas.

NOTA: El regulador se sellará en la válvula del tubo, lo que provocará cierta resistencia. **Se requiere de medio giro a tres cuartos de giro adicional para completar la conexión.** Si no puede completar la conexión, desconecte el regulador y repita los dos pasos anteriores. Si aún no puede completar la conexión, ¡NO USE este regulador!

- Inspeccione conexiones de válvula portan y el regulador. Busque cualquier daño o los escombros. Quite cualquier escombros. Inspeccione manga para el daño. **Nunca tentativa a nosotros dañamos ni tapamos equipo. Vea a su Comerciante local de Gas de elepé para reparaciones.**

PASO 16: PRUEBA DE VÁLVULAS, MANGUERA



ARMADO

⚠ PELIGRO:

NO fume ni use llamas abiertas durante la prueba de fugas. Si hay una fuga, el gas podría prenderse y provocar lesiones personales graves.

⚠ ADVERTENCIA:

Para evitar lesiones personales graves, siempre verifique que no haya fugas de gas cada vez que se desconecte y se vuelva a conectar el tubo de gas PL.

Y REGULADOR PARA VERIFICAR QUE NO HAYA FUGAS

Vea la figura 25.

En la fábrica se realizaron pruebas en las conexiones de la manguera y del regulador para asegurar que no hubiera fugas. Sin embargo, el envío y la manipulación pueden aflojar las conexiones. Como precaución de seguridad:

- Apague todas las perillas de control que se encuentran en el panel de control.
- Asegúrese de que el regulador esté conectado correctamente al tubo de gas PL.
- Para abrir la válvula del tubo: gire la manivela hacia la izquierda.

Si escucha un *soplido*, apague la válvula del tubo de

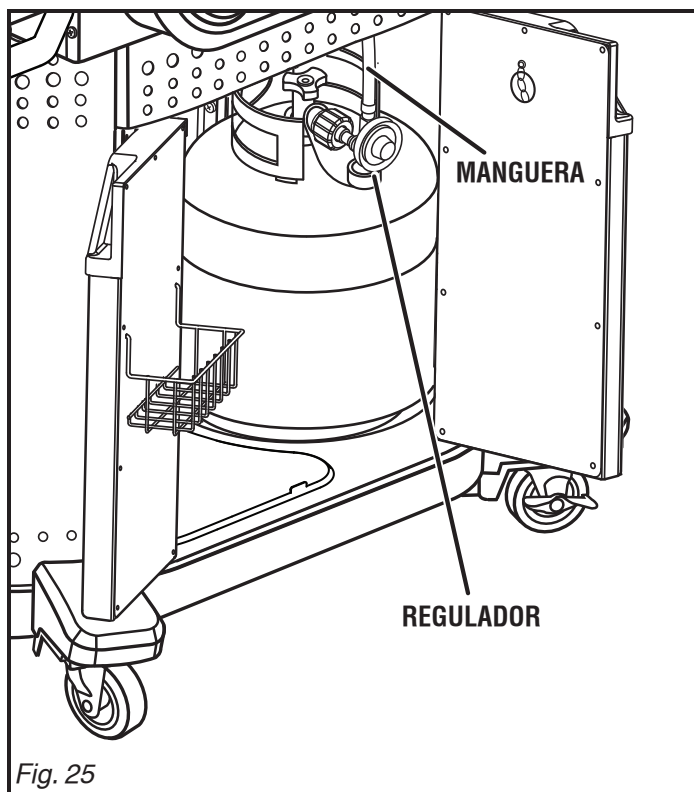


Fig. 25

inmediato. Este sonido significa que hay una fuga importante en la conexión. Corrija el problema antes de continuar.

- Usando un pincel limpio y una mezcla de jabón suave y agua en una proporción 50/50, cepille con solución jabonosa todas las conexiones y los adaptadores de la parrilla.
- La "formación" de burbujas indica que hay una fuga. Cierre la válvula del tubo; luego, vuelva a apretar todas las conexiones.

NOTA: Si no puede detener las fugas, no intente repararlas. Solicite piezas de repuesto.

- Si no usa la parrilla inmediatamente después de la prueba de fugas, cierre la válvula del tubo haciéndola girar hacia la derecha).

PASO 17: PRUEBA DEL TUBO DE GAS PL

Vea la figura 26.

- Turn Apague las perillas de control que se encuentran en el panel de control, apague la válvula del tubo de gas PL y desconecte todo el regulador del tubo.
- Retire el tubo de gas PL desde el interior del gabinete.
- Usando un pincel limpio y una mezcla de jabón suave y agua en una proporción de 50/50, cepille con solución jabonosa las áreas indicadas.
- La "formación" de burbujas indica que hay una fuga. No use ni mueva el tubo de gas. ¡Comuníquese con un proveedor de gas o con el departamento de bomberos!
- Si advierte o huele un escape de gas o escucha el silbido del tubo de propano líquido:
 - Aléjese del tubo de propano líquido.
 - No intente corregir el problema usted mismo.
 - Llame a su departamento de bomberos local.

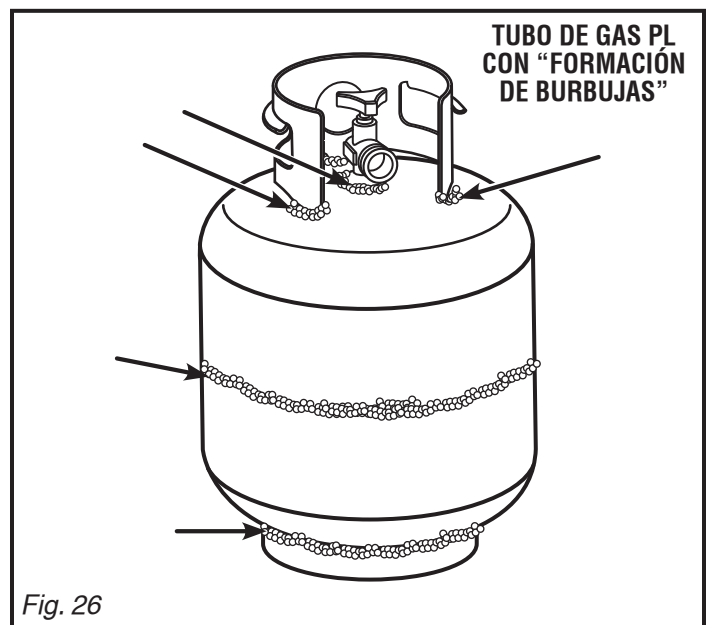


Fig. 26



ADVERTENCIA:

No permita que su familiarización con las gril lo vuelva descuidado. Tenga presente que un descuido de un instante es suficiente para causar una lesión seria.



ADVERTENCIA:

No utilice ningún aditamento o accesorio no recomendado por el fabricante de esta gril. El empleo de aditamentos o accesorios no recomendados podría causar lesiones serias.

CONSEJOS DE SEGURIDAD PARA USAR LA PARRILLA

- Antes de abrir la válvula del tubo de gas PL, verifique el apriete de la tuerca de acoplamiento y realice una prueba de fugas.
- Recorte el exceso de grasa de la carne para evitar que se produzcan llamaradas debido al goteo.
- Cuando la parrilla no esté en uso, apague todas las perillas de control y la válvula del tubo.
- No mueva la parrilla durante la cocción ni cuando la parrilla está caliente.
- Para evitar quemaduras y salpicaduras al cocinar y con la parrilla caliente, use utensilios con mangos largos y mitones de cocina.
- No use la parrilla si la bandeja para grasa y el depósito para grasa no están limpios ni instalados correctamente.
- Una vez que la parrilla se haya enfriado, límpiela inmediatamente.
- No deje que la grasa ni el material caliente goteen desde la parrilla sobre la válvula, la manguera o el regulador. Corrija el problema antes de usarla.
- Si el regulador se congela, apague la parrilla y la válvula del tubo de inmediato. Esto indica que hay un problema con el tubo de gas PL y que no debe usarse. Devuelva el tubo al proveedor.
- No deje la parrilla sin supervisión al precalentar o eliminar residuos de alimentos. Si no se ha limpiado la parrilla regularmente según lo indicado, puede prenderse fuego la grasa.
- Nunca use agua cuando se prenda fuego la grasa.
- Verifique la llama del quemador antes de cada uso (vea la sección *Mantenimiento*).

GUÍA PARA ASAR

Alta — para precalentar la parrilla, dorar filetes y otros cortes de carne y eliminar residuos de alimentos de la rejilla.

Media — para la mayoría de las ocasiones en que se desea asar, hornear y tostar.

Baja — para cocinar pescado y otros alimentos magros.

SEGURIDAD DE LOS ALIMENTOS

- The El mejor aceite para asar carne es aceite de alta temperatura (es decir, aceite de cacahuete, de canola, de alazor y de semillas de algodón).
- Seque la carne antes de asarla. Seque las partes marrones de la carne; la carne húmeda produce vapor.
- Ase con la campana baja.
- Mantenga limpias las rejillas. Una rejilla limpia hará que los alimentos se adhieran menos y durará más tiempo.
- Limpie la campana y el interior de la caja de fuego a menudo. La acumulación de grasa representa un peligro de incendio y agrega sabores no deseados a su alimento fresco.
- Antes de encender los quemadores, rocíe las rejillas con un rociador antiadherente para evitar que los alimentos se adhieran.
- Siempre precaliente la parrilla de 10 a 15 minutos antes de usarla.
- Antes de comenzar a asar, organice los alimentos por técnica de cocción, tiempo de cocción requerido y área para asar requerida.
- Las salsas que contienen azúcar y materia grasa pueden provocar llamaradas y quemar su alimento. Aplique estas salsas solo en los últimos 10 minutos de cocción.
- Los adobos y las mezclas de especias mejoran el sabor de los alimentos. Se puede usar una mezcla de especias seca o un adobo líquido antes de cocinar.
- Al usar la piedra para pizza, precaliente la piedra en la parrilla durante, aproximadamente, 15 minutos para asegurarse de alcanzar la temperatura requerida.

SEGURIDAD DE LOS ALIMENTOS

- Lávese las manos y lave los utensilios y las superficies con agua jabonosa caliente antes y después de manipular carne cruda.
- Conserve la carne cruda separada de los alimentos listos para comer.
- Use una fuente y utensilios limpios al retirar alimentos cocidos de la parrilla.
- Cocine bien la carne y la carne de ave para matar las bacterias.
- Use un termómetro para la carne, a fin de asegurarse de lograr la temperatura interna adecuada de la carne.
- Temperaturas internas mínimas y seguras de los alimentos recomendadas por el Departamento de Agricultura de los Estados Unidos (United States Department of Agriculture, USDA):
 - 81 °C (145 °F) para carne de res, de venado, de cordero, filetes y asados.
 - 81 °C (145 °F) para pescados.
 - 89 °C (160 °F) para carne molida de puerco, de res, de venado y de cordero.
 - 89 °C (160 °F) para puerco.
 - 89 °C (160 °F) para platos con huevo.
 - 92 °C (165 °F) para pavo, pollo y pato (pieza entera, en trozos y molida).
- Refrigere los alimentos preparados y las sobras de los alimentos de inmediato.

! PRECAUCIÓN:

Si la parrilla NO se enciende dentro de 5 segundos, APAGUE (O) la perilla de control y espere 5 minutos. Repita los procedimientos de encendido. Si el quemador NO se enciende con la válvula del tubo abierta, el gas seguirá saliendo del quemador y podría prenderse accidentalmente y provocar lesiones personales graves.


ENCENDIDO DEL QUEMADOR PRINCIPAL

Vea las figuras 27 - 28.

NOTA: Nunca se incline sobre la parrilla mientras enciende los quemadores.

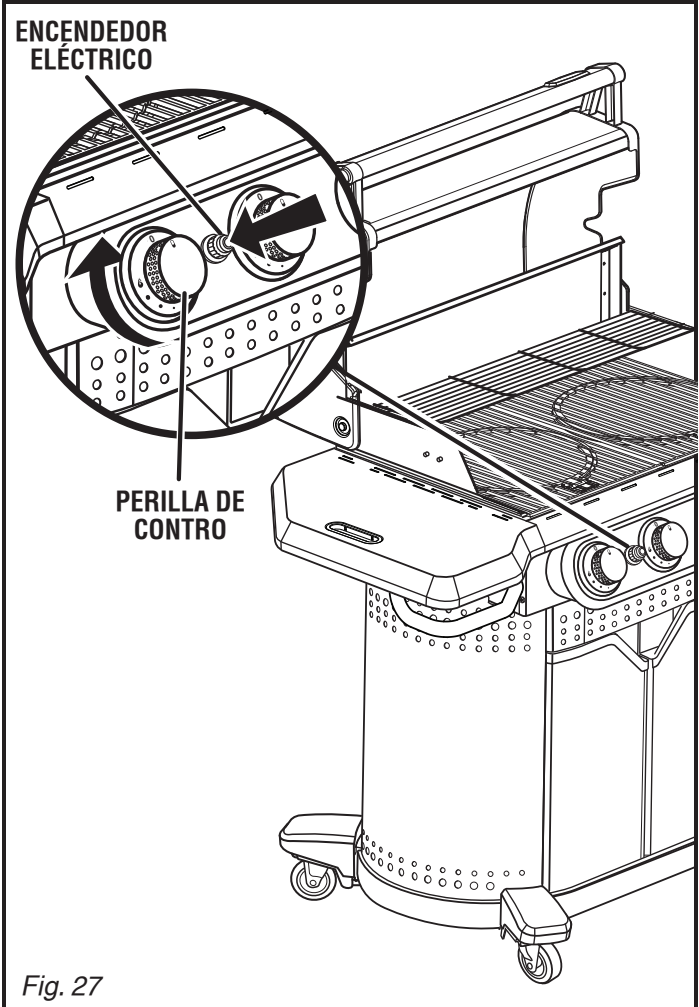
Se recomienda que la primera vez que use su parrilla recién comprada, la parrilla se use en el valor más alto durante 15 a 20 minutos.

Para encender quemadores usando el encendedor eléctrico:

- Abra la campana.
- Apague (O) todas las perillas de control que se encuentran en el panel de control.
- Asegúrese de que el regulador esté bien conectado al tubo de gas PL y de que se haya realizado una prueba de fugas.
- Abra la válvula del tubo completamente.
- Presione la perilla de control del lado izquierdo y gírela a la posición ON 
- Oprima y no suelte el encendedor eléctrico hasta que se encienda el quemador. Cuando se haya encendido el quemador, configure la perilla de control al valor deseado. Si el quemador no se enciende dentro de cinco (5) segundos, suelte el encendedor eléctrico. Apague la perilla de control y espere durante cinco (5) minutos; luego, repita el paso.


NOTA: Coloque el quemador en la posición alta y observe la altura de la llama, que debería ser de aproximadamente 25,40 mm (1 in). Si la llama es demasiado alta o demasiado baja, se requiere un ajuste del quemador. Vea la sección *Ajustes*, más adelante en este manual.

- Para encender los quemadores adyacentes: presione y encienda la perilla de control que se encuentra junto al quemador encendido para encender; o, repita los procedimientos de encendido para los quemadores no adyacentes.



FUNCIONAMIENTO

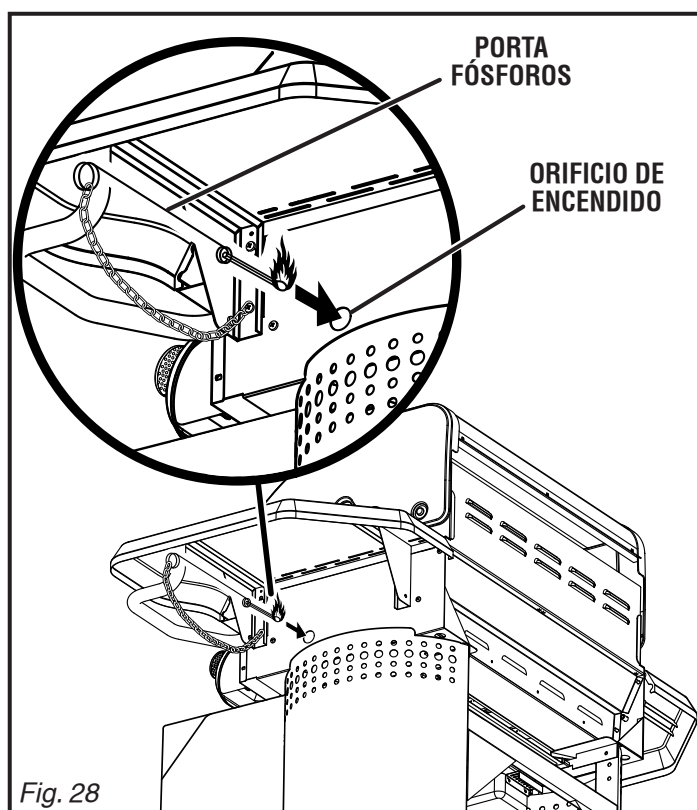
Para encender quemadores con fósforos:

- Abra la campana.
- Apague (O) todas las perillas de control que se encuentran en el panel de control.
- Asegúrese de que el regulador esté bien conectado al tubo de gas PL y de que se haya realizado una prueba de fugas.
- Abra la válvula del tubo completamente.
- Usando el porta fósforos que se incluye con esta parrilla, coloque un fósforo entre el alambre circular.
- Encienda el fósforo y colóquelo en el orificio de encendido en el lado de la caja de fuego.
- Presione la perilla de control derecha y gírela a la posición ON .
- Cuando se haya encendido el quemador, configure la perilla de control al valor deseado.

Si el quemador no se enciende, apague el fósforo; luego, apague la perilla de control y espere cinco (5) minutos; luego, repita el paso.

NOTA: Coloque el quemador en la posición alta y observe la altura de la llama, que debería ser de aproximadamente 25,4 mm (1 pulg.). Si la llama es demasiado alta o demasiado baja, se requiere ajustar el quemador. Vea la sección *Ajustes*, más adelante en este manual.

- Para encender otros quemadores: presione y encienda la perilla de control que se encuentra junto al quemador encendido para encender.



REAJUSTE DEL DISPOSITIVO DE SEGURIDAD DEL REGULADOR DE GAS

Desde 1995, todos los reguladores incluyen una característica de seguridad que restringe el flujo de gas en caso de fuga de gas. Si usted enciende la perilla de control antes de encender la válvula del tubo, puede activar esta característica. Incluso con todos los quemadores configurados en la posición alta, la parrilla no se calentará por encima de 139 °C (250 °F) a 167 °C (300 °F). Entonces será necesario reajustar el dispositivo de seguridad del regulador de gas.

Para reajustar:

- Abra (O) la campana y apague todas las perillas de control que se encuentran en el panel de control.
- Cierre la válvula del tubo completamente y desconecte el regulador del tubo de gas PL.
- Espere 30 segundos y, luego, vuelva a conectar el regulador.
- Abra la válvula del tubo y siga las instrucciones de encendido.

USO DE LA PARRILLA Y DE LOS ACCESORIOS

Vea la figura 29.

Para usar la herramienta para extraer insertos:

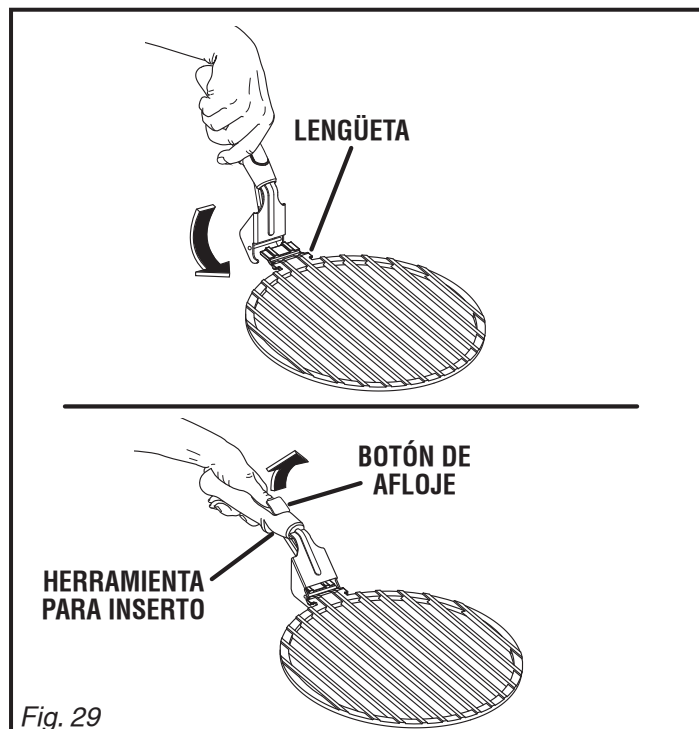
NOTA: Solo use la herramienta para extraer insertos en insertos con lengüetas

- Deslice los ganchos que se encuentran en el extremo de la herramienta para insertos debajo de la lengüeta del inserto.



ADVERTENCIA:

No use un accesorio si el revestimiento de porcelana se encuentra dañado o rajado. Usar el accesorio con el revestimiento dañado puede producir lesiones personales graves si es ingerido.



FUNCIONAMIENTO

- Baje la herramienta de manera que el pestillo inferior encaje debajo de la lengüeta del inserto.
- Para soltar: Levante el botón para soltar de color naranja con el dedo pulgar y, luego, retire la herramienta para extraer insertos del inserto.

Para utilizar la rejilla para asar a la rejilla carne:

- Encienda la parrilla y cierre la campana. Precaliente la parrilla durante 10 a 15 minutos.
- Abra la campana y coloque la carne en las rejillas limpias y cierre la campana. El tiempo de cocción variará según la preferencia personal.

NOTA: Por lo general, al asar pescado la carne está cocida cuando se desmenuza fácilmente con un tenedor. Si cualquier parte de la carne tiene un aspecto brillante, no está cocida.

- Al finalizar la cocción, apague las perillas de control y la válvula del tubo.
- Limpie las rejillas, la bandeja para grasa y el depósito para grasa.



ADVERTENCIA:

Solo coloque la piedra para pizza en la parrilla fría. Colocar la piedra para pizza en una parrilla caliente puede provocar posibles lesiones graves.

Para usar la piedra para pizza:

- Usando la herramienta para extraer insertos, levante y retire uno de los insertos de rejilla y, luego, coloque la piedra para pizza en el orificio de donde retiró el inserto de rejilla.
- Encienda la parrilla y cierre la campana. Tomará 15 minutos calentar la piedra a temperatura de cocción.
- Abra la campana y coloque la pizza en la piedra para pizza.
- Cocine la pizza.
- Al terminar la cocción, apague las perillas de control y la válvula del tubo.
- Deje que la piedra para pizza y la parrilla se enfríen completamente.
- Limpie las rejillas, la bandeja para grasa, el depósito para grasa y la piedra para pizza.

! ADVERTENCIA:

Al dar servicio a la unidad, sólo utilice piezas de repuesto idénticas. El empleo de piezas diferentes puede causar un peligro o dañar el producto.

MANTENIMIENTO GENERAL

No confunda la acumulación marrón y negra de la grasa y del humo con pintura. El interior de la campana no está pintado y no debe pintarse nunca. Al limpiar el interior de la campana y la parte inferior de la parrilla, use una solución fuerte de detergente y agua con un cepillo de restregado para limpiar. Enjuague bien y deje que se seque al aire. NUNCA use un limpiador para parrillas cáustico sobre superficies pintadas o de cocción.

Todas las piezas de plástico, las superficies de acero inoxidable y las superficies pintadas deben limpiarse con agua jabonosa tibia y deben secarse con un paño. Las superficies de cocción deben limpiarse solo con un cepillo de cerdas. Verifique que no queden cerdas sueltas en las rejillas de cocción antes de usarlas.

Rejillas de cocción:

- Límpielas antes y después de cada uso con un cepillo de alambre rígido.

Difusores de calor:

- Raspe cualquier acumulación de los difusores de calor usando un cepillo de alambre.

Bandeja para grasa y depósito para grasa:

- Después de usarlos, deje que la grasa de la bandeja y del depósito se enfríe; luego, vacíelos en la basura.
- Vacíelos después de cada uso para evitar los derrames y las llamaradas.

LIMPIEZA LA CONJUNTO DE QUEMADOR Y VERIFICAR DIFUSOR PARA INSECTOS

Vea las figuras 29 - 32.

! PELIGRO:

No limpiar el conjunto del quemador ni verificar los tubos venturi como se describió puede provocar un incendio o una explosión, que tendrán como consecuencia lesiones graves o la muerte.

Cuando la parrilla no ha estado en uso durante cierto tiempo, deben limpiarse los quemadores. En algunas partes del país, las arañas y otros insectos pueden tejer telarañas, construir nidos y depositar huevos en los tubos venturi, bloquear el flujo de gas y provocar incendios en los tubos conocidos como "retorno de llama". El retorno de llama puede dañar la parrilla e, incluso, provocar lesiones.

- Apague (O) todas las perillas de control que se encuentran en el panel de control.
- Levante y retire las rejillas de cocción y calentamiento del interior de la parrilla.
- Quite pasador del enganche que asegura los quemadores al fondo de la parrilla.

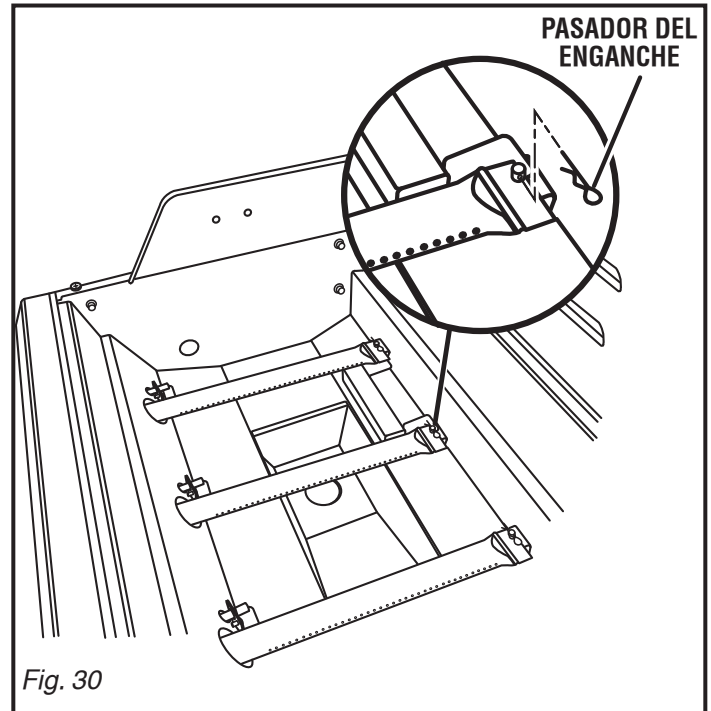


Fig. 30

- Tire cable de electrodo del encendedor electrónico.
- Levante quemador y lejos de las aperturas de válvula de gas.

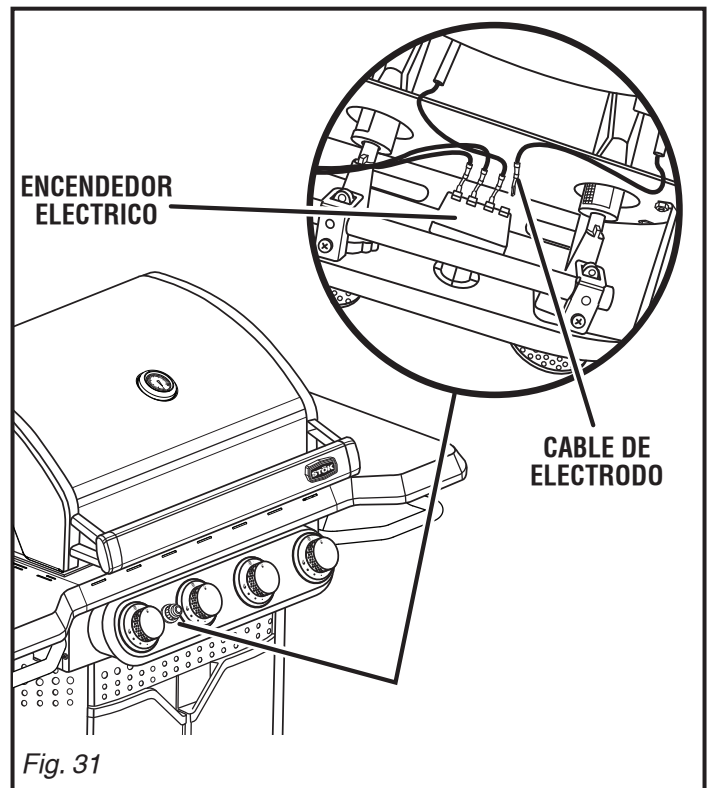
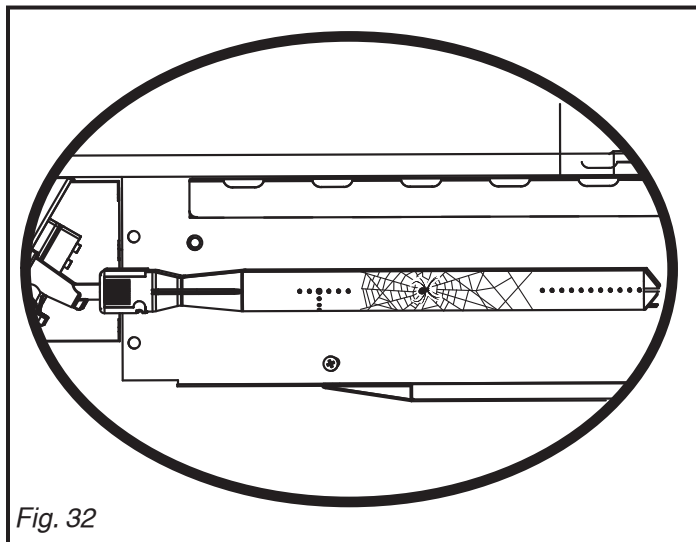


Fig. 31



Limpie los tubos del quemador usando una de las siguientes tres técnicas:

1. Doble un alambre rígido y forme un gancho pequeño. Pase el gancho a través de cada tubo del quemador varias veces.
2. Use un cepillo para botellas angosto con mango flexible y páselo a través de los tubos del quemador varias veces. **NO USE** un cepillo de alambre.



3. Use protección ocular; luego, use una manguera de aire para que el aire ingrese en el tubo del quemador y salga a través del puerto del quemador. Limpie cualquier puerto obstruido con un clip abierto.

■ Una vez que los tubos del quemador ya no tengan suciedad, use un cepillo de alambre para retirar los alimentos y la suciedad de la superficie exterior de los tubos.

■ Verifique que no haya daños en el quemador. El uso y la corrosión normales pueden hacer que algunos orificios se agranden. Si esto sucede, reemplace los quemadores.

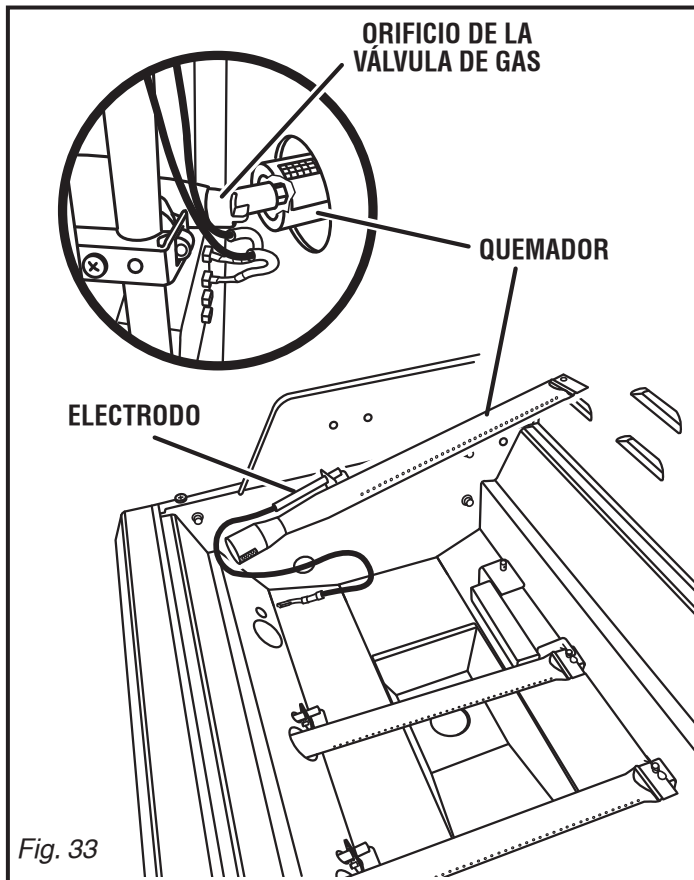
NOTA: Los tubos del quemador deben volver a enganchar las aperturas de la válvula.

■ Verifique que el orificio de la válvula de gas esté ubicado correctamente en el interior de la entrada del quemador.

■ Coloque el electrodo en el quemador y, cuidadosamente, vuelva a colocar los quemadores.

■ Deslice los quemadores dentro de los soportes que se encuentran en el interior de la parrilla y asegure los quemadores usando pasadores de enganche.

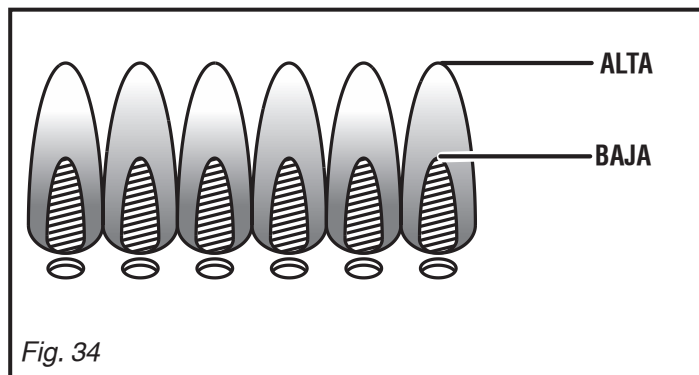
■ Vuelva a conectar los cables del electrodo al encendedor electrónico.



VERIFICACIÓN DE LA LLAMA DEL QUEMADOR

Ve a la figura 34.

- Cierre la válvula del tubo completamente.
- Retire las rejillas de calentamiento.
- Encienda la válvula del tubo completamente.
- Encienda los quemadores y cambie las perillas de control de la posición alta a baja. Se debería ver una llama más pequeña en la posición baja mientras que la llama de las posiciones altas debería tener, aproximadamente, 25,4 mm (1 in) de altura.
- Si solo se ve una llama baja, es posible que necesite reajustar el dispositivo de seguridad del regulador de gas como se describe en la sección *Operación*.



MANTENIMIENTO

VERIFICACIÓN DE LA MANGUERA

Cierre la válvula del tubo completamente. Inspeccione todas las mangueras antes de cada uso. Reemplace todas las mangueras dañadas antes de usar la parrilla.

NOTA: Solo use piezas recomendadas por el fabricante.

VERIFICACIÓN DEL ENCENDEDOR

Cierre la válvula del tubo completamente. Oprima y no suelte el encendedor. Se debe oír un “clic” y se debe ver una chispa entre el quemador y el electrodo. Si no hay chispas, vea la sección *Solución de problemas*, más adelante en este manual.

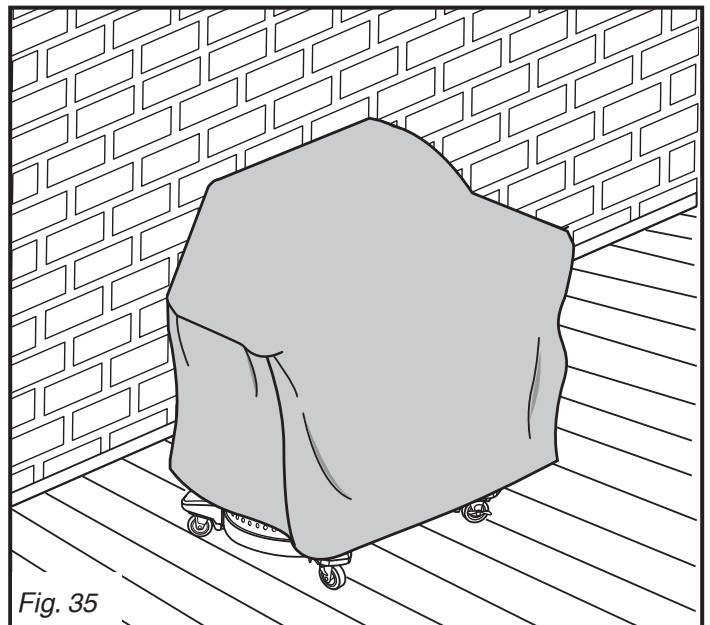
VERIFICACIÓN DE LA VÁLVULA

Cierre la válvula del tubo completamente. Las perillas de control se traban en su lugar cuando se apagan. Para verificar las válvulas: presione las perillas y suéltelas. Si las perillas no vuelven a su lugar, reemplace el conjunto de la válvula antes de usar la parrilla.

ALMACENAMIENTO DE LA PARRILLA

Vea la figura 35.

- Apague (O) todas las perillas de control que se encuentran en el panel de control.
- Cierre la válvula del tubo completamente.
- Sostenga el regulador firmemente y gire la tuerca de acoplamiento hacia la izquierda para desconectar el regulador del tubo de gas PL.
- Coloque la tapa guardapolvo en la salida de la válvula del tubo cuando el tubo no esté en uso. Solo instale el tipo de tapa guardapolvo en la salida de la válvula del tubo que se suministró con la válvula del tubo. Otros tipos de tapas o tapones pueden provocar una fuga de propano.
- Una vez que la parrilla esté fría, límpiela bien.
- Almacénela en un lugar seco. Si la almacena en el exterior, cubra la parrilla con una de las variedades de cubiertas para parrilla ofrecidas por los fabricantes.



CORRECCIÓN DE PROBLEMAS

PROBLEMA	CAUSAS	SOLUCIÓN
Olor a gas	Válvula del tubo de gas abierta. Fuga en la manguera, en el regulador o en la válvula.	Apague la válvula del tubo de inmediato y apriete las conexiones. Apague la válvula del tubo de inmediato y verifique que no haya daños en la manguera, en el regulador ni en la válvula. Realice la prueba de fugas, vea “Prueba de válvulas, manguera y regulador para verificar que no haya fugas” en la sección <i>Armado</i> .
Retorno de llama debajo del panel de control	Fuego en el tubo del quemador, debido a una obstrucción.	Vea “Limpieza del conjunto del quemador y verificación de que los tubos Venturi no contienen insectos” en la sección <i>Mantenimiento</i> .
Fuga de gas detectada en el tubo, el regulador u otra conexión	Instalación incorrecta y conexiones sueltas. Falla mecánica debido a la oxidación o a la manipulación inadecuada	Apriete las conexiones y vea “Prueba de válvulas, manguera y regulador para verificar que no haya fugas en la sección <i>Armado</i> . Reemplace o rellene el tubo de gas PL.
Se prende fuego la grasa o hay llamas excesivas en forma continua sobre la superficie de cocción	Acumulación de grasa en el área del quemador.	Cierre las perillas de control y la válvula del tubo. Deje la campana abierta para permitir que se extingan las llamas. Una vez que la parrilla esté fría, límpiela bien.
Los quemadores no encienden	El tubo de gas PL está vacío. Está intentando encender el quemador incorrecto. El quemador no está conectado a la perilla de control. Tubos Venturi obstruidos. Obstrucción por vapor en la tuerca de acoplamiento al tubo de PL. El (los) cable(s) del encendedor está(n) suelto(s), sucio(s), o no está(n) conectado(s) Batería agotada del encendedor.	Reemplace o rellene el tubo de gas PL. Vea “Ignición del quemador principal” en la sección <i>Funcionamiento</i> . Asegúrese de que las válvulas estén en el interior de los tubos del quemador. Vea “Prueba de válvulas, manguera y regulador para verificar que no haya fugas” en la sección <i>Armado</i> . Cierre las perillas de control y la válvula del tubo. Vuelva a conectar los cables del electrodo del quemador o reemplace el conjunto de cables del encendedor. Limpie los cables y/o el electrodo con alcohol de frotar y un hisopo limpio. Apriete todas las conexiones. Reemplace la batería del encendedor.
Disminución del calor o sonido explosivo	El tubo de gas PL está vacío. Tubos Venturi obstruidos.	Reemplace o rellene el tubo de gas PL. Vea “Prueba de válvulas, manguera y regulador para verificar que no haya fugas” en la sección <i>Armado</i> .
Puntos calientes en la superficie de cocción	Tubos Venturi obstruidos.	Vea “Prueba de válvulas, manguera y regulador para verificar que no haya fugas” en la sección <i>Armado</i> .
Sonido similar a un zumbido proveniente del regulador	La válvula del cilindro se enciende demasiado rápido.	Cierre las perillas de control y la válvula del tubo. Cierre la válvula lentamente.
Llama amarilla	Es posible que los tubos Venturi o los quemadores estén obstruidos.	Vea “Prueba de válvulas, manguera y regulador para verificar que no haya fugas” en la sección <i>Armado</i> .
El interior de la tapa parece desprenderse	Esta es una acumulación de grasa. El interior de la tapa no está pintado.	Limpie con un cepillo de cerdas suaves o con una espátula.

GARANTÍA LIMITADA DE LA PARRILLA DE GAS STÖK™

Gracias por comprar una parrilla STÖK™. A continuación, se encuentra nuestra garantía de producto limitada de la parrilla de gas. Antes de presentar una reclamación de garantía, le recomendamos que lea el Manual del Operador que vino con su parrilla. Puede descubrir una solución fácil y simple a su problema. Si no puede encontrar el manual, puede obtener uno de reemplazo llamando al número que figura a continuación, o descargándolo de nuestro sitio web, en la dirección que figura a continuación.

Qué cubre la garantía:

- Quemadores de acero inoxidable: 10 años contra defectos de fabricación y del material.
- Todas las otras piezas y componentes de la parrilla: 2 años contra defectos de fabricación y del material.

El período de garantía comienza en la fecha de compra. La garantía se aplica únicamente a parrillas compradas a un vendedor minorista autorizado de los EE. UU. o Canadá, se extiende únicamente al comprador original y no es transferible.

Si bien le recomendamos que registre su parrilla de gas, no necesita hacerlo para presentar una reclamación de garantía. Registrar su parrilla, no obstante, no servirá como reemplazo de un recibo de venta. **No podemos reconocer ninguna reclamación de garantía que no cuente con un recibo de venta válido, que indique la fecha y el lugar de compra.** Si STÖK™ aprueba la reclamación, es posible que se le solicite la devolución de cualquier pieza defectuosa, que será reparada o reemplazada por STÖK™, sin cargo. Si una pieza no puede repararse y ya no se encuentra disponible, esta puede ser reemplazada con una pieza similar con la misma función. La reparación o el reemplazo de las piezas no extiende el período de garantía.

La reparación o el reemplazo de las piezas es su único recurso en virtud de esta garantía limitada.

Qué no cubre la garantía:

La garantía limitada no cubre daños provocados por ninguna de las siguientes circunstancias:

- No armar, usar o realizar el mantenimiento de la parrilla de conformidad con las instrucciones de armado y con el Manual del Operador, o cualquier otra forma de uso indebido o abuso, o el incumplimiento de los códigos locales.
- El uso comercial, institucional, en complejos de departamentos u otro uso comunitario.
- Tubos o tanques de gas.
- La modificación o reparación no autorizada de la parrilla o el uso de piezas no autorizadas.
- Casos fortuitos, como incendios, inundaciones, huracanes, rayos, viento y granizo.
- Llamadas de incendios o accidentes.
- Limpiadores que no sean los recomendados en el Manual del Operador o la exposición a otras sustancias químicas, ya sea en forma directa o de la atmósfera (no almacene su parrilla cerca de una piscina).
- Pérdida de alimentos, o daños incidentales, consecuentes o especiales.
- Rayones, abolladuras, descoloración, óxido superficial u otras cuestiones estéticas o daños provocados por las herramientas durante el armado.
- Desgaste normal.
- Ningún accesorio consumible suministrado con su parrilla, como herramientas para asar, cepillos o limpiadores.
- Costos de franqueo, recolección, entrega ni otros costos de transporte.
- El costo de retirar o instalar cualquier pieza o componente, ni otros cargos de mano de obra.

ESTA GARANTÍA LIMITADA ES LA ÚNICA GARANTÍA EXPRESA SUMINISTRADA POR STÖK™. EXCEPTO EN LA MEDIDA PROHIBIDA POR LEY, TODA GARANTÍA IMPLÍCITA DE COMERCIABILIDAD O DE ADECUACIÓN PARA UN FIN EN PARTICULAR ESTÁ LIMITADA A LA DURACIÓN DE LA GARANTÍA DESCRITA MÁS ARRIBA. NINGÚN VENDEDOR MINORISTA NI NINGÚN OTRO TERCERO TIENE AUTORIDAD PARA CREAR ALGUNA OTRA GARANTÍA O PARA AUMENTAR O MODIFICAR ESTA GARANTÍA LIMITADA. LA RESPONSABILIDAD MÁXIMA DE ONE WORLD TECHNOLOGIES, INC. EN CUALQUIER CASO EN VIRTUD DE ESTA GARANTÍA NO EXCEDERÁ EL PRECIO DE COMPRA PAGADO POR EL COMPRADOR ORIGINAL.

Tenga en cuenta que algunos estados, provincias u otras jurisdicciones no permiten la exclusión ni limitación de los daños incidentales o consecuentes, ni límites respecto de la duración de una garantía implícita. Por lo tanto, es posible que algunas de las limitaciones anteriores no se apliquen a usted. Esta garantía limitada le otorga derechos legales específicos. También es posible que tenga otros derechos que varían de una jurisdicción a otra.

Cómo obtener el servicio de garantía:

Antes de devolver cualquier pieza o componente, comuníquese con Servicio al Cliente al número que figura a continuación. Tenga a la mano el número de serie de la parrilla (que se encuentra en el interior de la puerta derecha del gabinete) y una copia de su recibo de venta que indique la fecha y el lugar de su compra. La llamada debe realizarse dentro del período de garantía.

No se aceptarán las devoluciones que no tengan un número de autorización de devolución (return authorization number, RAN) válido emitido por Servicio al Cliente. Usted será responsable de pagar los cargos de envío, y debe devolver la pieza defectuosa a STÖK™ con el flete/franqueo prepagados, con el RAN en la parte externa del paquete. Las devoluciones que no cumplan estos requisitos serán rechazadas. Le devolveremos una pieza de repuesto con el flete/franqueo prepagados.

Servicio al Cliente de STÖK™ (llamada gratuita, EE. UU. y Canadá): 1-800-847-5993

Dirección del sitio web de STÖK™: www.stokgrills.com

**OPERATOR'S MANUAL
MANUEL D'UTILISATION
MANUAL DEL OPERADOR**



QUATTRO™

4 Burner LP Gas Grill

Gril aux gaz de pétrole liquéfiés (GPL) à 4 brûleurs

Parrilla de gas PL de 4 quemadores

SGP4130N

Customer Service Information:

For parts or service, do not return this product to the store. Please call 1-800-847-5993 or visit us online at www.stokgrills.com.

The model number and serial number of this grill is found on a label located inside the right cabinet door. Please record the serial number in the space provided below. When ordering repair parts, always give the following information:

Model No. _____

Serial No. _____



Service après-vente :

Pour acheter des pièces ou pour un dépannage, ne pas retourner ce produit au magasin. Téléphoner au 1-800-847-5993 ou visiter notre site www.stokgrills.com.

Les numéros de modèle et de série du gril sont inscrits sur une étiquette située à l'intérieur de la porte droite de l'armoire. Lors de toute commande de pièces détachées, fournir les informations suivantes :

No. de modèle _____

No. de série _____



Información sobre servicio al consumidor:

Para piezas de repuesto o servicio no devuelva este producto a la tienda. Le suplicamos llamar al 1-800-847-5993 o visitar nuestro sitio en la red mundial, en la dirección www.stokgrills.com.

El número de modelo y el número de serie de esta parrilla se encuentran en la etiqueta ubicada en el interior de la puerta derecha del gabinete. Le suplicamos anotar el número de serie en el espacio suministrado abajo. Al pedir piezas de repuesto siempre proporcione la siguiente información:

Núm. de modelo _____

Núm. de serie _____

ONE WORLD TECHNOLOGIES, INC.

1428 Pearman Dairy Road, Anderson, SC 29625

Phone 1-800-847-5993

www.stokgrills.com

A subsidiary of Techtronic Industries Co., Ltd.

OTC: TTNDY