

FALCON

*Falcon
Monarch
Dor-O-Matic*

Monarch 19 Series Parts Manual

Touch Bar Exit Device

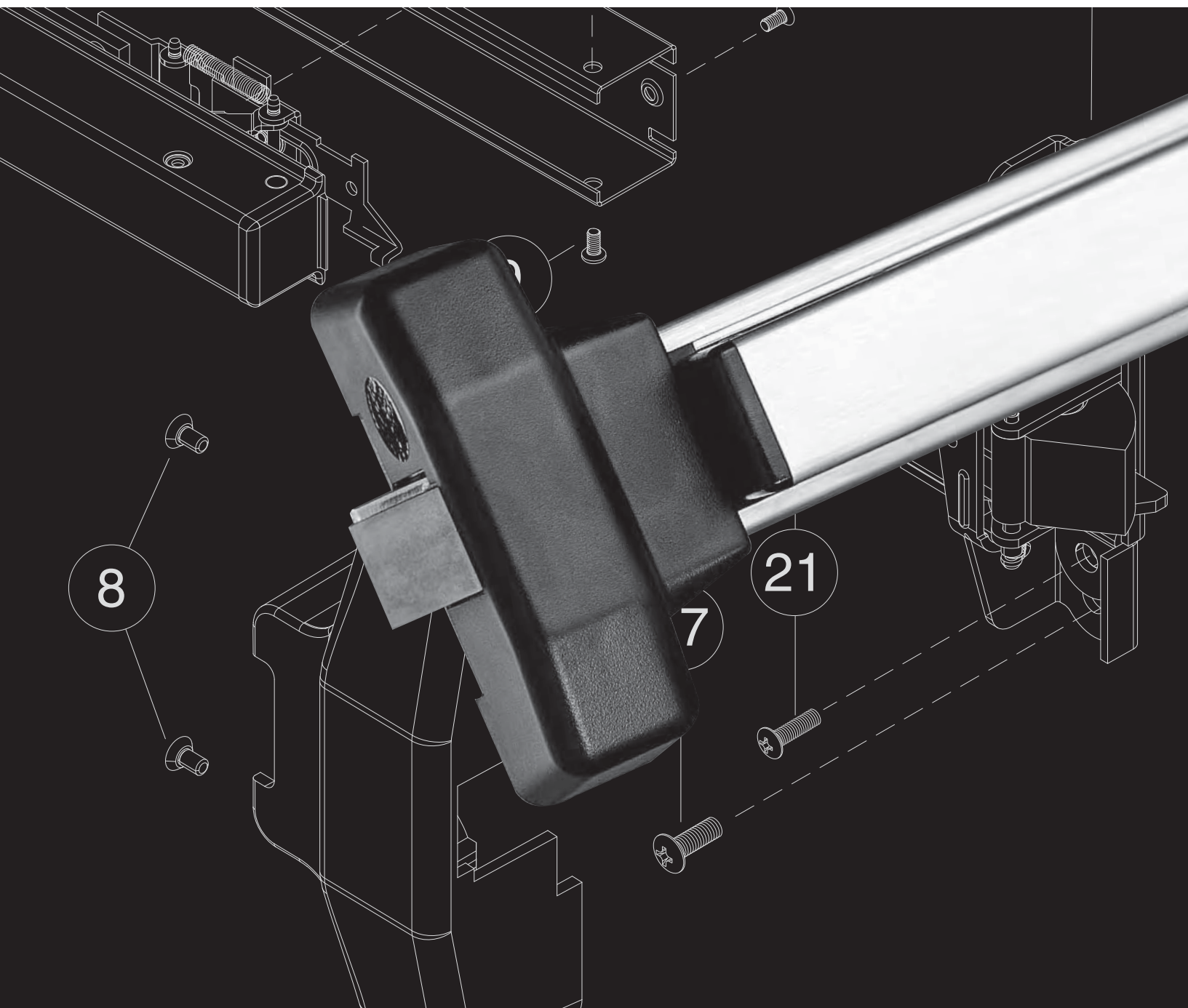


Table of Contents

19 Rim Exit Device - Panic and Fire.....	4-5
19 Surface Vertical Rod Exit Device - Panic and Fire.....	6-7
19 Surface Vertical Rods and Latch Cases - Panic and Fire.....	8-9
19 Series Optional Equipment.....	10

Introduction

This manual contains a listing of replaceable parts and assemblies for the 19 series exit device.

How to Order

Some parts are sold separately. Other parts are available as part of a kit or multiple quantity package. For the best possible service when ordering replacement parts or assemblies, please provide the following information:

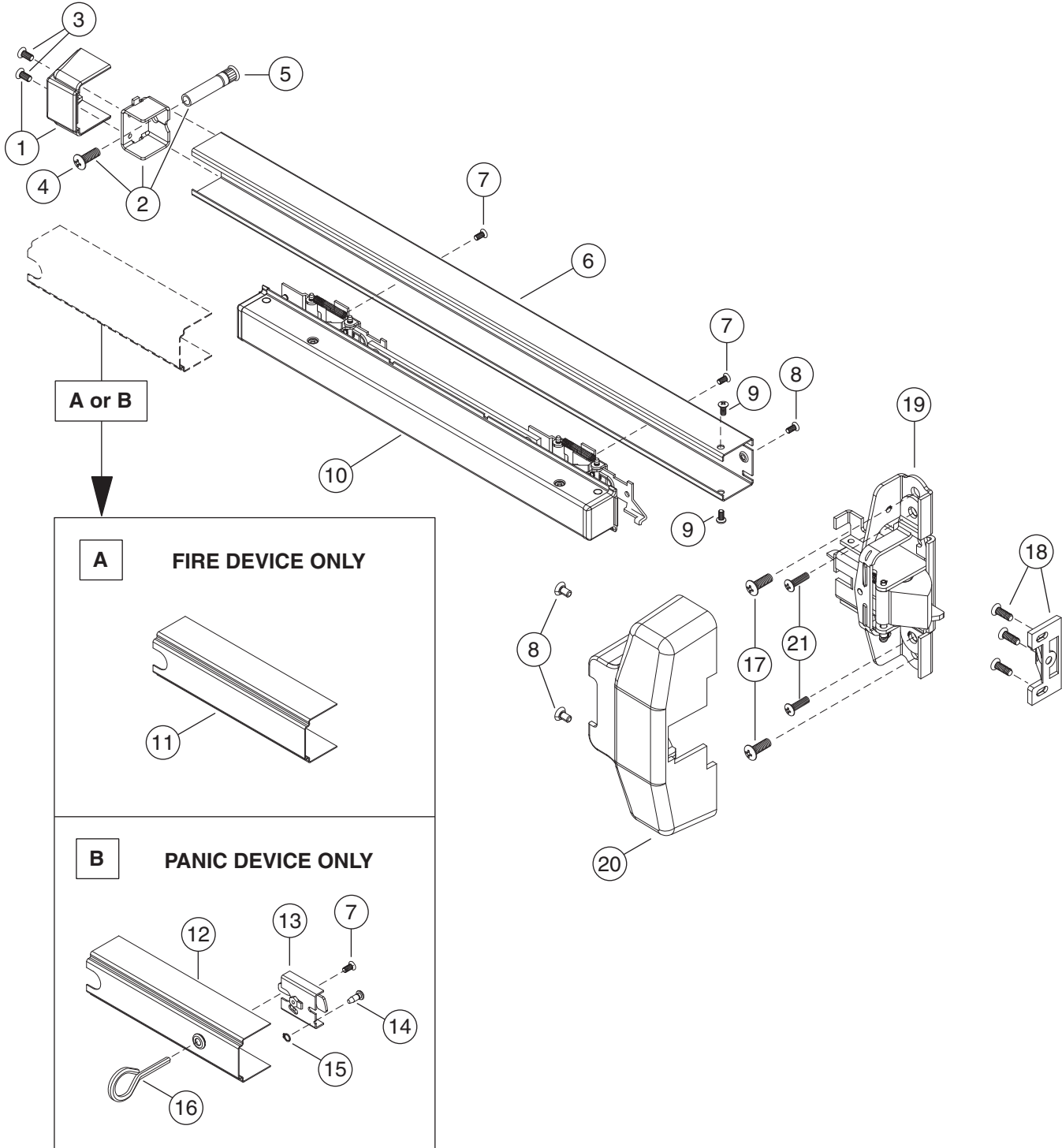
- Part number or assembly number
- Description
- Quantity needed
- Finish desired (if available finish)

Part Number Changes

This manual reflects the product as sold in November 2007. Because of changes to the product and/or manufacturing processes, part numbers can change.

19 & F-19 Rim Exit Device

Fire and Panic



19 & F-19 Rim Exit Device

Panic and Fire

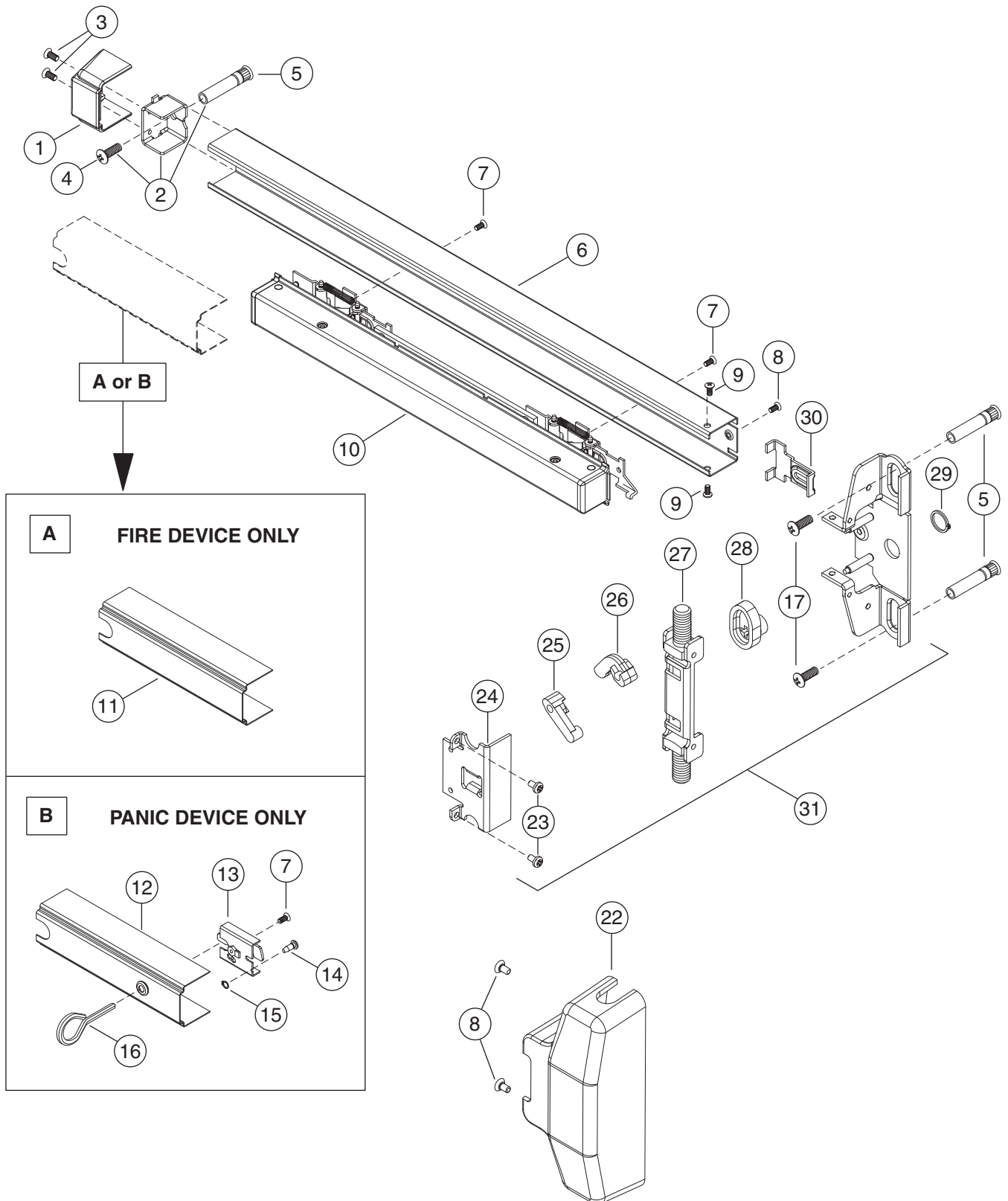
Item No.	Qty.	Part No.	Description	Notes
1	1	600151	Channel End Cap Package	
2	1	600108	End Cap Mounting Bracket with SNB	
3	2	660090	#10-24 x 3/8" UFPHMS with Nylon Patch (Pkg of 2)	A
4	1	660047	1/4"-20 x 3/4" TPHMS Screw	
5	1	4122	1/4"-20 Sex Bolt	A
6	1	6195	Channel 2' Door	A
6	1	6196	Channel 2'5" Door	A
6	1	4107	Channel 3' Door	A
6	1	4108	Channel 4' Door	A
7	3	600184	#8-32 x 3/8" UFPHMS with Nylon Patch	A
8	5	600140	#8-32 x 1/4" UFPHMS (Pkg of 4)	A
9	2	660144	#8-32 x 1/4" PPHMS	
10	1	610277	Touch Bar Sub Assembly 2' Door (9")	A
10	1	610278	Touch Bar Sub Assembly 2'5" Door (14")	A
10	1	190	Touch Bar Sub Assembly 3' Door (20")	A
10	1	191	Touch Bar Sub Assembly 4' Door (26")	A
11	1	4955	Channel Cover 3' Door (Fire Device Only)	A
11	1	4956	Channel Cover 4' Door (Fire Device Only)	A
12	1	184	Dogging Cover Sub Assembly 4' Door (Panic Device Only)	A
12	1	185	Dogging Cover Sub Assembly 3' Door (Panic Device Only)	A
13	1	193	Dogging Sub Assembly (Panic Device Only)	
14	1	4086	Dogging Pin Shaft (Panic Device Only)	
15	1	660443	Retaining Ring (Panic Device Only)	
16	1	2789	7/32" Hex Key (Panic Device Only)	
17	2	660004	1/4"-20 x 3/4" PPHMS	
18	1	630015	F-570 Roller Strike for Panic and Fire - Standard	
19	1	192	19 Rim Center Case Assembly	
20	1	6133	19 Rim Center Case Cover	
21	2	660081	#10-24 x 3/4" PPHMS (Fire Device Only)	
*	1	600123	19-R EO Mounting Pkg	
*	1	600124	F-19-R EO Mounting Pkg	

* Item(s) not shown.

A. Specify by finish: US-32D or SP28/SP313.

19-V & F-19-V Surface Vertical Rod Exit Device

Panic and Fire



19-V & F-19-V Surface Vertical Rod Exit Device

Panic and Fire

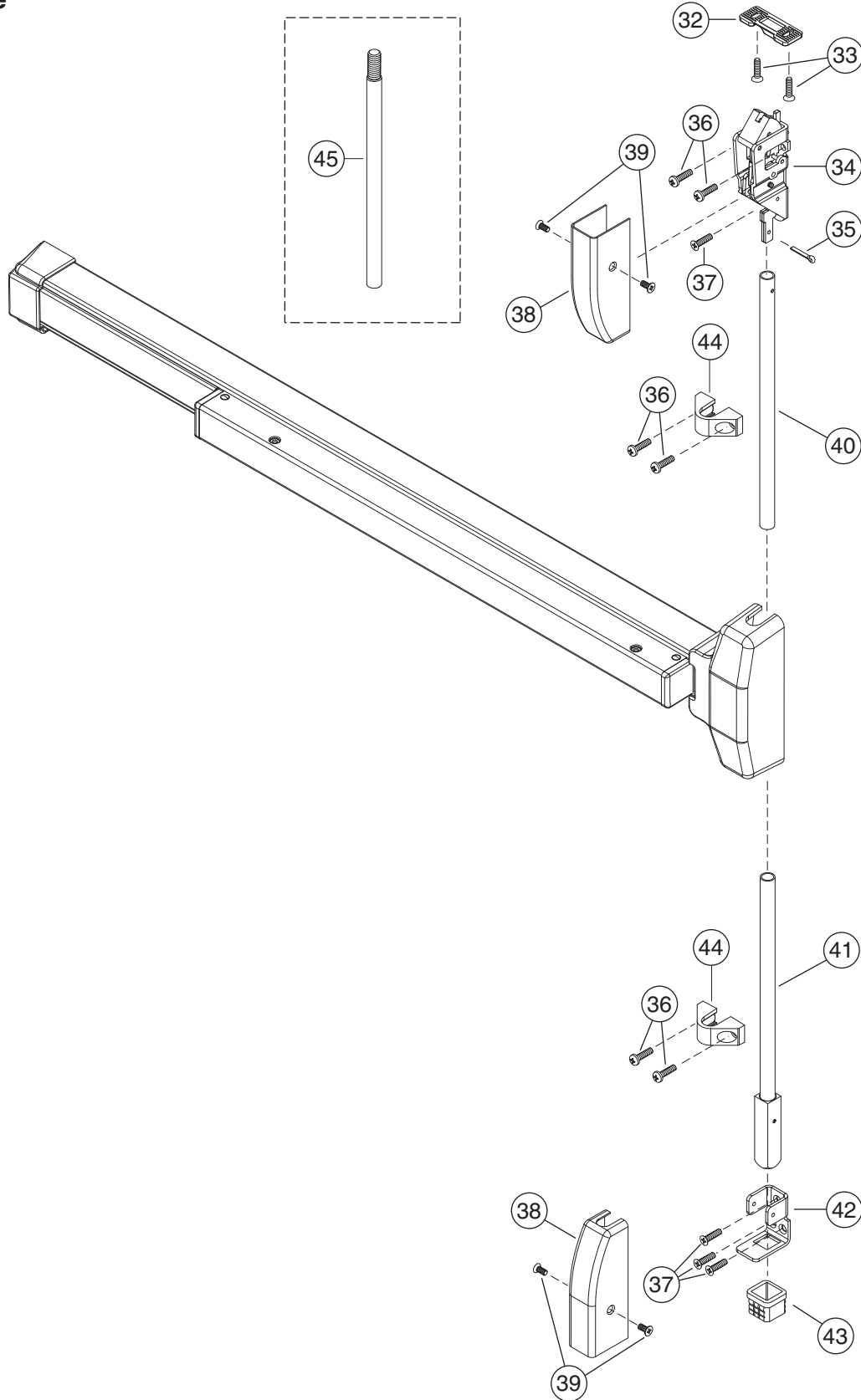
Item No.	Qty.	Part No.	Description	Notes
1	1	600151	Channel End Cap Package	
2	1	600108	End Cap Mounting Bracket with SNB	
3	2	660090	#10-24 x 3/8" UFPHMS with Nylon Patch (Pkg of 2)	A
4	1	660047	1/4"-20 x 3/4" TPHMS Screw	
5	1	4122	1/4"-20 Sex Bolt	A
6	1	6195	Channel 2' Door	A
6	1	6196	Channel 2'5" Door	A
6	1	4107	Channel 3' Door	A
6	1	4108	Channel 4' Door	A
7	3	600184	#8-32 x 3/8" UFPHMS with Nylon Patch	A
8	5	600140	#8-32 x 1/4" UFPHMS (Pkg of 4)	A
9	2	660144	#8-32 x 1/4" PPHMS	
10	1	610277	Touch Bar Sub Assembly 2' Door (9")	A
10	1	610278	Touch Bar Sub Assembly 2'5" Door (14")	A
10	1	190	Touch Bar Sub Assembly 3' Door (20")	A
10	1	191	Touch Bar Sub Assembly 4' Door (26")	A
11	1	4955	Channel Cover 3' Door (Fire Device Only)	A
11	1	4956	Channel Cover 4' Door (Fire Device Only)	A
12	1	184	Dogging Cover Sub Assembly 4' Door (Panic Device Only)	A
12	1	185	Dogging Cover Sub Assembly 3' Door (Panic Device Only)	A
13	1	193	Dogging Sub Assembly (Panic Device Only)	
14	1	4086	Dogging Pin Shaft (Panic Device Only)	
15	1	660443	Retaining Ring (Panic Device Only)	
16	1	2789	7/32" Hex Key (Panic Device Only)	
17	2	660004	1/4"-20 x 3/4" PPHMS	
22	1	6134	19 Vertical Center Case Cover	
23	2	660116	#6-32 x 1/4" PPHMS	
24	1	4144	19 Vertical Housing	
25	1	4152	19 Slidebar Lever	
26	1	4151	19 Drawbar Lever	
27	1	610282	Vertical Slidebar Assembly	
28	1	4161	Retractor Cam	
29	1	660444	Retaining Ring	
30	1	4147	Vertical Drawbar	
31	1	196L	19-R Left Handed Center Case Assembly (Items 23-29)	
31	1	196R	19-R Right Handed Center Case Assembly (Items 23-29)	
*	1	600125	19-V Mounting Pkg	
*	1	600126	F-19-V Mounting Pkg	

* Item(s) not shown.

A. Specify by finish: US-32D or SP28/SP313.

19-V & F-19-V Surface Vertical Rods and Latch Cases

Panic and Fire



19-V & F-19-V Surface Vertical Rods and Latch Cases

Panic and Fire

Item No.	Qty.	Part No.	Description	Notes
32	1	630010	3788 Strike - Surface Vertical Rod Panic and Fire Devices - Standard	
33	5	660002	#10 x 1-1/4" FPHSMS	
33	5	660078	#10-24 x 3/4" FPHMS (Fire)	
34	1	588	Surface Vertical Top Latch Case Sub Assembly - Panic	
34	1	F588	Surface Vertical Top Latch Case Sub Assembly - Fire	
35	1	661102	1/8" x 3/4" Cotter Key	
36	6	660004	#10 x 1-1/4" PPHSMS	
36	6	660081	#10-24 x 3/4" PPHMS (Fire)	
37	5	660002	#10 x 1-1/4" FPHSMS	
37	5	660078	#10-24 x 3/4" FPHMS (Fire)	
38	2	3781	Latch Case Cover	A
39	8	660125	#8-32 x 1/4" UFPHMS	
40	1	3777	Surface Vertical Top Rod Sub Assembly	
41	1	610034	Surface Vertical Bottom Bolt and Rod Assembly	
42	1	610035	Surface Vertical Bottom Guide Assembly	A
43	1	2130	2130 Strike - Surface and Concealed for Panic or Fire - Standard	
44	2	4783	19 Rod Guide	
45	1	650006	Vertical Extension Rod 12"	A
45	1	650007	Vertical Extension Rod 24"	A
45	1	650008	Vertical Extension Rod 36"	A

A. Specify by finish: US-32D or SP28/SP313

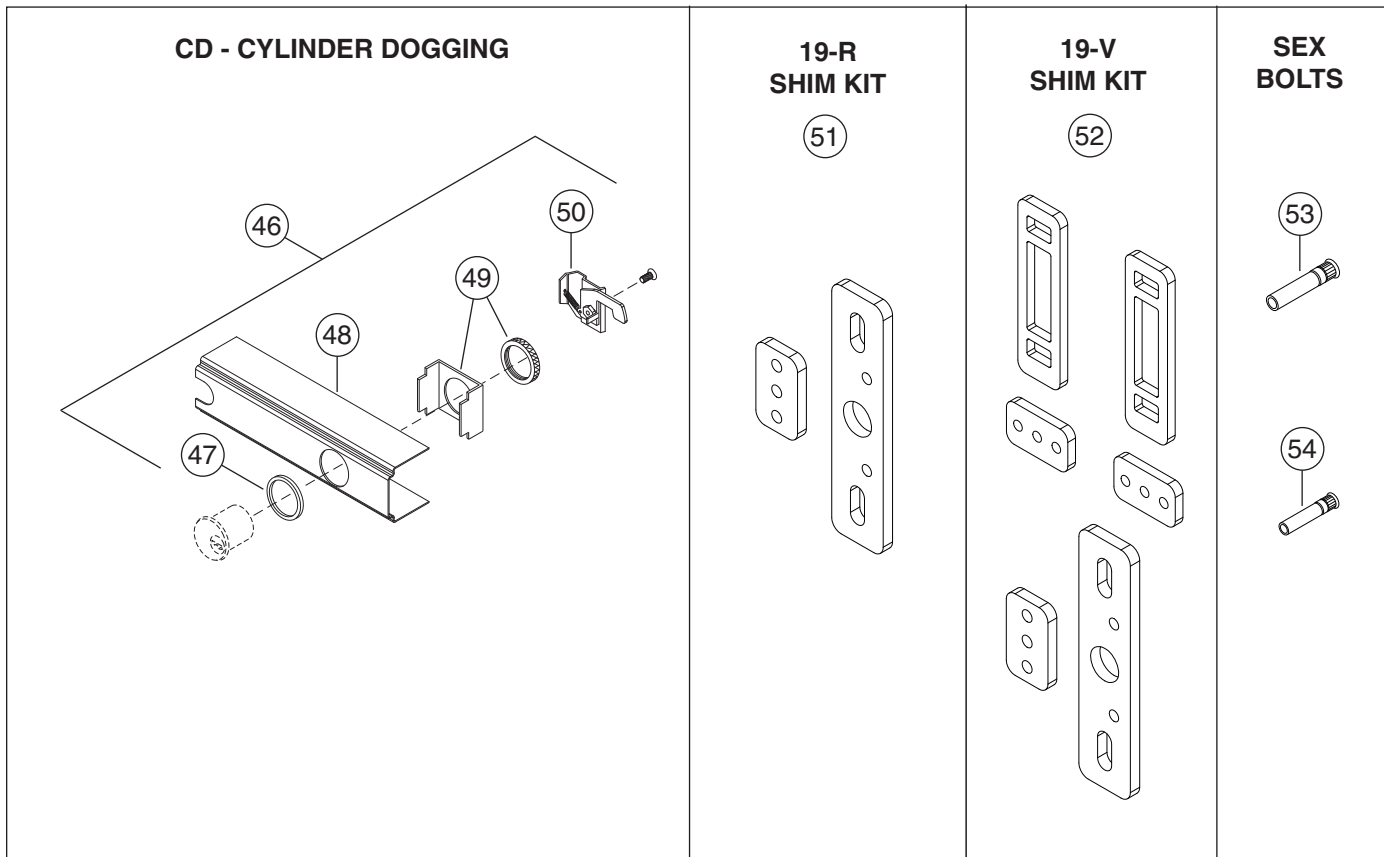
19 Series Optional Equipment

Item No.	Qty.	Part No.	Description	Notes
46	1	650060	19 CD Kit 3' (items 63-66) SP28/SP313 Finish	
46	1	650059	19 CD Kit 3' (items 63-66) US32D	
46	1	650063	19 CD Kit 4' (items 63-66) SP28/SP313 Finish	
46	1	650062	19 CD Kit 4' (items 63-66) US32D	
47	1	3917	CD Cylinder Collar	A
48	1	4950	19 CD Cover Plate 3'	A
48	1	4951	19 CD Cover Plate 4'	A
49	1	600146	CD Cylinder Retaining Bracket Package	
50	1	610106	CD Dogging Sub Assembly	
51	1	650022	19-R 1/4" Shim Kit	
52	1	650023	19-V 1/4" Shim Kit	
53	1	4122	1/4"-20 Sex Bolt**	A
54	1	2729	#10-24 Sex Bolt***	A

** Sold individually, for center case (2)

***Sold individually, for surface vertical latches (3)

A. Specify by finish: US-32D or SP28/SP313





Ingersoll Rand's Security Technologies Sector is a leading global provider of products and services that make environments safe, secure and productive. The Sector's market-leading products include electronic and biometric access control systems; time and attendance and personnel scheduling systems; mechanical locks and portable security, door closers and exit devices, steel doors and frames, architectural hardware and technologies and services for global security markets.

800.266.4456 Locks
800.826.5792 Exit Devices
800.815.1517 Closers

www.falcon.ingersollrand.com www.ingersollrand.com