



Impecca Window/In-Wall Air Conditioner Users Manual

IWA-15KSFP—15,000 BTU WALL UNIT A/C

IWA-18KS—18,000 BTU WALL UNIT A/C

IWA-25KS—25,000 BTU WALL UNIT A/C

Table of Contents:

– Introduction	p.1
– Safety Notices	p.2-3
– What’s In The Box.....	p.4
– Operating Your Air Conditioner	p.5-7
– Installation Instructions.....	p.8
– Window Mounting	p.9-11
– In-Wall Installation	p.12-13
– Masonry Installation.....	p.14
– Care Instructions	p.15
– Troubleshooting	p.16-17
– Various Machine Sounds/Noises	p.17
– Operating Conditions	p.17
– Contact Support	p.17

Regulatory Warnings:

DISPOSAL:

Do not dispose this product as unsorted municipal waste. Collection of such waste separately for special treatment is necessary.

It is prohibited to dispose of this appliance in domestic household waste.

For disposal, there are several possibilities:

- A) The municipality has established collection systems, where electronic waste can be disposed of at least free of charge to the user.
- B) When buying a new product, the retailer will take back the old product at least free of charge.
- C) The manufacturer will take back the old appliance for disposal at least free of charge to the user.
- D) As old products contain valuable resources, they can be sold to scrap metal dealers.

Wild disposal of waste in forests and landscapes endangers your health when hazardous substances leak into ground-water and find their way into the food chain.



CAUTION:

- This appliance is not intended for use by persons (including children) with reduced physical, sensory or mental capabilities, or lack of experience and knowledge, unless they have been given supervision or instruction concerning use of the appliance by a person responsible for their safety.
- Children should be supervised to ensure that they do not play with the appliance.

INTRODUCTION:

Congratulations on your purchase of an IMPECCA™ Electronic Controlled Portable Air Conditioner. Before using this product, it is recommended that you familiarize yourself with the features, functions, and operating procedures described in this manual. Inside you will find many helpful hints on how to use and maintain your air conditioner properly. Just a little preventive care on your part can save you a great deal of time and money over the lifespan of your air conditioner. You will find many answers to common problems in the chart of troubleshooting tips.



SAVE TIME AND MONEY!

If you review our chart of Troubleshooting Tips first, you may not need to call for service at all.

FEATURES AT A GLANCE:

- Quiet Operation
- Energy Saver Function
- Remote Control with LED
- Remote Personal Temperature Sensor (select models)
- Ion Filter (select models)
- Sleep mode
- Eco-Friendly Refrigerant

SAFETY PRECAUTIONS:

To prevent injury and/or property damage, please familiarize yourself with the following instructions and safety precautions. Failure to comply with the instructions and cautions mentioned in this manual may cause harm or damage. The seriousness is classified by the following indications:

⚠ WARNING	This symbol indicates the possibility of serious injury or death.
⚠ CAUTION	This symbol indicates the possibility of injury and/or damage to property.
⊘	Never do this.
★	Always do this.

⚠ CAUTION FOR YOUR SAFETY

- Always contact an authorized service technician for repair or maintenance of this unit.
- Use an authorized and certified technician for installation of this unit.
- This air conditioner is not intended for use by young children or elderly persons without supervision.
- Young children should be supervised to not to operate or play with the air conditioner.
- If the power cord is to be replaced, replacement work should only be performed by certified or authorized technicians.
- All electrical work must be performed in accordance with the national wiring standards and should only be performed by authorized personnel.

NOTE: Due to slight modifications in production, the instructions, features, and/or descriptions found in this manual might vary slightly from your product.

READ THESE NOTICES CAREFULLY—THEY ARE IMPORTANT!

⚠ WARNING

⊕ Plug in power plug properly.	⊘ Do not operate or stop the unit by inserting or pulling out the power plug.	⊘ Do not damage or use an unspecified power cord.
• Otherwise, it may cause electric shock or fire due to excess heat generation.	• It may cause electric shock or fire due to heat generation.	• It may cause electric shock or fire. • If the power cord is damaged, it must be replaced by the manufacturer or an authorised service centre or a similarly qualified person to avoid hazard.
⊘ Do not modify power cord length or share the outlet with other appliances.	⊘ Do not operate with wet hands or in damp environment.	⊘ Do not direct airflow at room occupants only.
• It may cause electric shock or fire due to heat generation.	• It may cause electric shock.	• This could be harmful to your health.
⊕ Always ensure effective grounding/earthing.	⊘ Do not allow water to run into electric parts.	⊕ Always install circuit breaker and a dedicated power circuit.
• Incorrect grounding may cause electric shock.	• It may cause failure of machine or electric shock.	• Incorrect installation may cause fire and electric shock.
⊕ Unplug the unit if strange sounds, smells, or smoke comes from it.	⊘ Do not use the socket if it is loose or damaged.	⊘ Do not open the unit during operation.
• It may cause fire and electric shock.	• It may cause fire and electric shock.	• It may cause electric shock.
⊕ Keep firearms away.	⊘ Do not leave the power cord near heating appliances.	⊘ Do not use the power cord near flammable gas or combustibles, such as gasoline, benzene, thinner, etc.
• It may cause fire.	• It may cause fire and electric shock.	• It may cause an explosion or fire.
⊕ Ventilate room before operating air conditioner if there is a gas leakage from another appliance.	⊘ Do not disassemble or modify unit.	
• It may cause explosion, fire and, burns.	• It may cause failure and electric shock.	

⚠ CAUTION

⊘ When the air filter is to be removed, do not touch the metal parts of the unit.	⊘ Do not clean the air conditioner with water.	⊕ Ventilate the room well when used together with a stove, etc.
• It may cause an injury.	• Water may enter the unit and degrade the insulation. It may cause an electric shock.	• An oxygen shortage may occur.
⊕ When the unit is to be cleaned, switch off, and turn off the circuit breaker.	⊕ Do not put a pet or house plant where it will be exposed to direct air flow.	⊘ Do not use for special purposes.
• Do not clean unit when power is on as it may cause fire and electric shock, it may cause an injury.	• This could injure or be harmful to your pet or plants.	• Do not use this air conditioner to preserve precision devices, food, pets, plants, and art objects. • It may cause deterioration, etc.

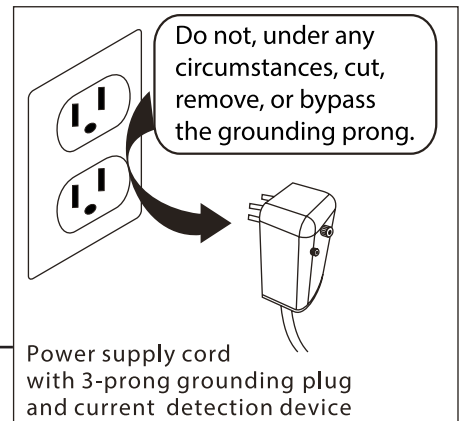
⚠ CAUTION

<ul style="list-style-type: none"> ⊕ Stop operation and close the window in storm or hurricane. 	<ul style="list-style-type: none"> ⊕ Hold the plug by the head of the power plug when unplugging unit. 	<ul style="list-style-type: none"> ⊕ Turn off the main power switch when not using the unit for a long time.
<ul style="list-style-type: none"> • Operation with windows opened may cause wetting of indoor and soaking of household furniture. 	<ul style="list-style-type: none"> • Otherwise, it may cause electric shock and damage. 	<ul style="list-style-type: none"> • It may cause failure of product or fire.
<ul style="list-style-type: none"> ⊖ Do not place obstacles around air-inlets or inside of air-outlet. 	<ul style="list-style-type: none"> ⊖ Ensure that the installation bracket of the outdoor appliance is not damaged due to prolonged exposure. 	<ul style="list-style-type: none"> ⊕ Always insert the filters securely. Clean filter once every two weeks.
<ul style="list-style-type: none"> • It may cause failure of appliance or accident. 	<ul style="list-style-type: none"> • If bracket is damaged, the unit can fall and cause damage, injury or bodily harm. 	<ul style="list-style-type: none"> • Operation without filters may cause failure.
<ul style="list-style-type: none"> ⊖ Do not use strong detergent such as wax or thinner to clean the unit. Use a soft cloth. 	<ul style="list-style-type: none"> ⊖ Do not place heavy object on the power cord and ensure that the cord is not compressed. 	<ul style="list-style-type: none"> ⊖ Do not drink water drained from air conditioner.
<ul style="list-style-type: none"> • Appearance may be deteriorated due to change of product color or scratching of its surface. 	<ul style="list-style-type: none"> • There is danger of fire or electric shock. 	<ul style="list-style-type: none"> • It contains contaminants and could make you sick.
<ul style="list-style-type: none"> ⊕ Use caution when unpacking and installing. Sharp edges can cause injury. 	<ul style="list-style-type: none"> ⊕ If water enters the unit, turn the unit off at the power outlet and switch off the circuit breaker. Isolate supply by taking the power-plug out and contact a qualified service technician immediately. 	

⚠ CAUTION ELECTRICAL INFORMATION

- Be sure your electrical wiring is adequate for the model you have chosen. This information can be found on the serial plate, which is located on the side of the cabinet and behind the grille.
- Be sure the air conditioner is properly grounded. To minimize shock and fire hazards, proper grounding is important. The power cord is equipped with a three-prong grounding plug for protection against shock hazards.
- Your air conditioner must be connected to a properly grounded wall receptacle. If the wall receptacle you intend to use is not adequately grounded or protected by a time delay fuse or circuit breaker, have a qualified electrician install the proper receptacle.
- Ensure the receptacle is accessible after the unit installation.

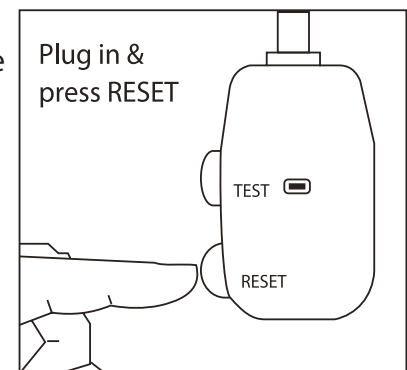
NOTE: The power supply cord with this air conditioner contains a current detection device designed to reduce the risk of fire. In the event that the power supply cord is damaged, it cannot be repaired-it must be replaced with a cord from the Product Manufacturer.



The power supply cord contains a current device that senses damage to the power cord. To test your power supply cord do the following:

1. Plug in the Air Conditioner.
2. The power supply cord will have TWO buttons on the plug head. Press the TEST button, you will notice a click as the RESET button pops out.
3. Press the RESET button, you will notice a click as the button engages.
4. The power supply cord is now supplying electricity to the unit.
(On some models this it also indicated by a light on the plug head.)

- NOTES:**
- Do not use this device to turn the unit on or off.
 - Always make sure the RESET button is pushed in for correct operation.
 - The power supply must be replaced if it fails reset when either the TEST button is pushed, or it cannot be reset.
 - A new power supply can be obtained from the product manufacturer.
 - If power supply cord is damaged, it cannot be repaired. It MUST be replaced by one from the product manufacturer.



WHAT'S IN THE BOX:

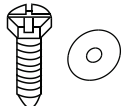

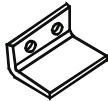
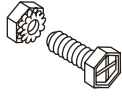
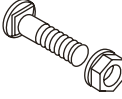
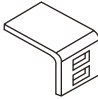
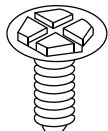
Please verify your box for the following items. Note that some models may not include all items.



1. Air Conditioning Unit
2. Remote control (may differ from photo)
3. User's Guide
4. Remote control user's guide
5. Installation kit (see details below)

INSTALLATION ACCESSORY KIT ITEMS:

TOOLS REQUIRED: large flat blade screwdriver, tape measure, adjustable wrench or pliers, pencil, level, socket wrenches, and Phillips screwdriver.

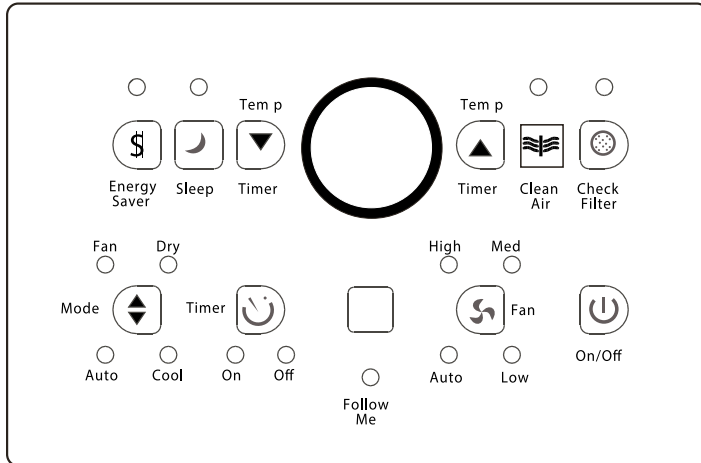
PART (for illustration only, may not be identical)	PART DESCRIPTION:	QUANTITY INCLUDED:
	7/16" locking screw and flat washer for window panels	2t
	3/4" or 1/2" long hex-head screw	4
	Safety Lock	1
	1/2" long screw and locknut	4
	3/4" long flat head bolt and locknut	2
	Sill Angle Bracket	2
	Long hex-head locking screw for top angle, side retainer 5/16" long	10

Avoid damaging your new appliance! If required accessories are missing, please contact technical support. Illustrations may vary slightly from actual appearance of parts or product.

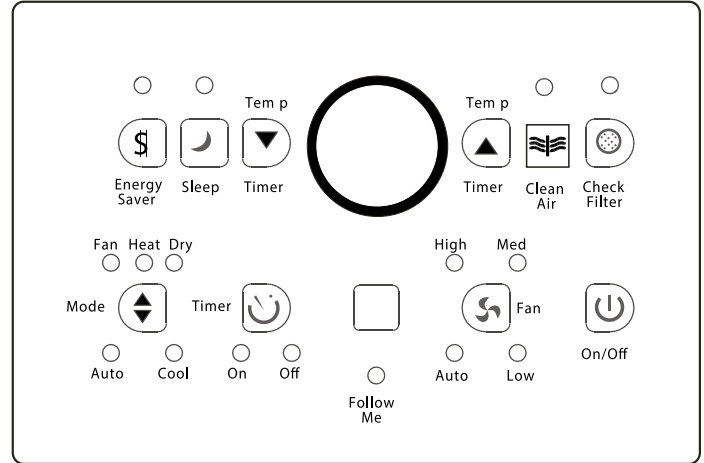
OPERATING YOUR AIR CONDITIONER:

Before you begin, thoroughly familiarize yourself with the control panels as shown below and all its functions, then follow the symbol for the functions you desire. The unit can be controlled by the unit control alone or with the remote.

UNIT CONTROL



(Cooling Only Models)

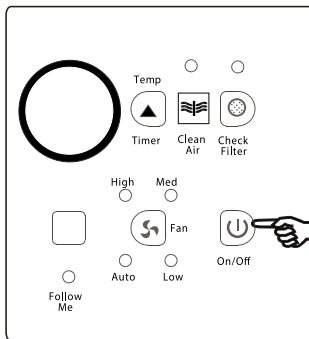


(Heat & Cooling Models)

NOTE: This illustration is for explanation purposes only. The actual appearance of the control panel on the air conditioner you bought may be slightly different.

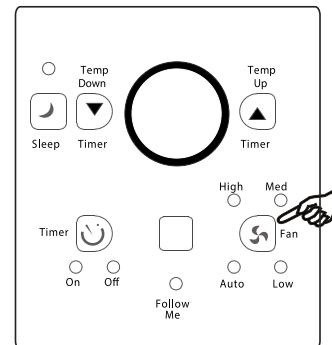
TURNING THE UNIT ON OR OFF:

- Press the On/Off Button.



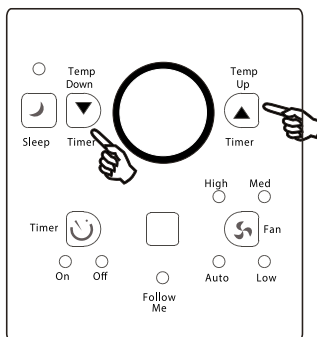
ADJUSTING THE FAN SPEED:

- Use this button to select fan speed.
- Choose between AUTO, LOW, MED, & HIGH.
- The fan speed in HEAT mode can't be changed
- The fan speed in DRY mode is set to low.



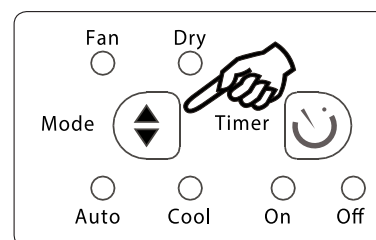
ADJUSTING THE TEMPERATURE:

- Press the up arrow to raise the temperature.
- Press the down arrow to lower the temperature.
- A range of 62°F to 86°F will be maintained.
- To display actual room temperature, use FAN mode.



SET AUTO, COOL, DRY, HEAT OR FAN, MODES:

- Use the mode button to cycle between the modes.
- AUTO mode automatically selects operating mode based on ambient room temperature.
- Fan speed can't be adjusted in AUTO mode.



FAN ONLY MODE:

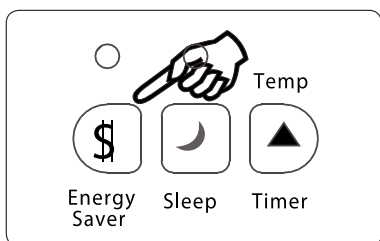
- Use this mode when you'd like to circulate air or exhaust stale air but not run the air conditioner.
- Open the vent in fan mode, but for most efficiency keep it closed during cooling mode.
- The display shows the ambient room temperature.

DRY MODE:

- The unit functions as a dehumidifier in dry mode.
- Some cooling may occur during this mode.

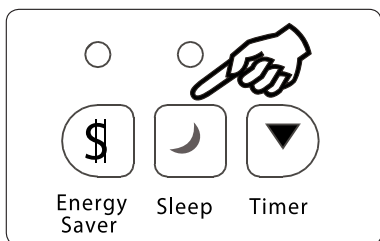
ENERGY SAVE FEATURE:

- With a press of the Energy Save button, the fan continues to blow air through the compressor and provide cooled air. The fan will run for 2 minutes every 10 minutes, and cooling will resume once the room temperature exceeds the set temperature.



SLEEP MODE FEATURE:

- When you push the sleep button, the selected temperature will increase (cooling) or decrease (heating) by 1°C/2°F after 30 minutes. The temperature will then increase (cooling) or decrease (heating) by another 1°C/2°F after an additional 30 minutes.
- The new temperature will be maintained for 7 hours before it returns to the originally selected temperature. This ends Sleep mode and the unit will continue to operate as originally programmed.



TIMER & AUTO START/STOP FEATURE:

- The timer indicator lights are for two separate functions, one to automatically turn the unit on and another to automatically shut it off. Both programs can be set at the same time.

Setting the unit to automatically turn off:

- Push the timer button once (if dehumidifier is running) or twice (if dehumidifier is not running) until the 'OFF' indicator illuminates
- Use the + and – pad to select the number of hours before the unit automatically turns off.
- The time will be programmed after 5 seconds of inactivity and the display will return to show the humidity level.

Setting the unit to automatically turn on:

- Push the timer button once (if dehumidifier is not running) or twice (if dehumidifier is running) until the 'ON' indicator illuminates.
- Use the + and – pad to select the number of hours before the unit automatically turns off.
- The time will be programmed after 5 seconds of inactivity and the display will return to show the humidity level.

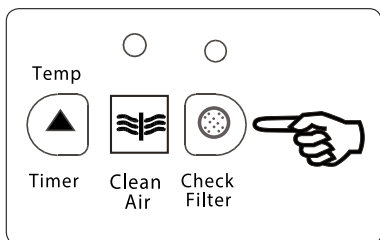
NOTE: Both 'ON' and 'OFF' indicators can be illuminated—the unit will automatically turn itself on and off according to the programmed times.

PERSONAL MAPPING TEMP. SENSOR FEATURE:

- NOTE: This feature can be activated from the remote control ONLY. The remote control acts as a remote thermostat allowing for the precise temperature control at its location.
- To activate the Personal Mapping Temperature Sensor feature, point the remote control towards the unit and press the PMTS button. The remote display is actual temperature at its location. The remote control will send this signal to the air conditioner every 3 minutes interval until press the PMTS button again.
- If the unit does not receive the PMTS signal from the remote control during any 7 minutes interval, the unit will beep to indicate the Personal Mapping Temp Sensing mode has ended.

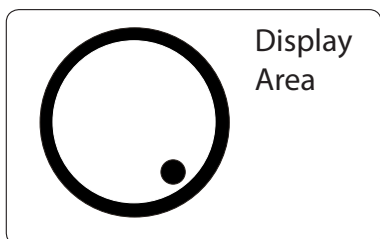
CHECK FILTER FEATURE:

- The indicator light illuminates automatically after 250 hours of operation to help you maintain optimum performance.
- To reset after cleaning the filter, press the Check Filter button and the light will turn off.



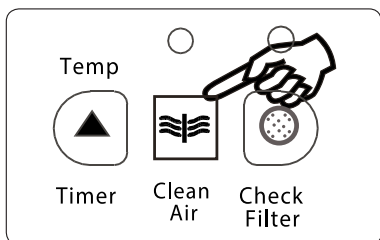
DISPLAYS

- The LCD unit displays the set temperature, or in FAN mode shows the ambient room temperature.



ION CLEAN AIR FEATURE (SELECT MODELS)

- The Ion filter will energize to remove allergens and pollen from the air that passes through the unit.



OTHER USEFUL THINGS

- The COOL function has an automatic 3 minute time delayed start if the unit is turned off and on quickly. This prevents overheating of the compressor and tripping the circuit breaker. The fan will continue to run during this time.
- The display unit is capable of displaying temperature in degrees Fahrenheit or degrees Celsius. To convert from one to the other, press and hold both the Up and Down Temp/Timer buttons at the same time, for 3 seconds.

FRESH AIR VENT CONTROL (SOME MODELS)

The fresh air vent allows the air conditioner to:

1. Recirculate inside air—vent closed (image 1)
2. Draw fresh air in the room—vent open (image 2)
3. Exchange air from the room and draws fresh air into the room—vent & exhaust open (image 3)



Image 1:
Vent closed



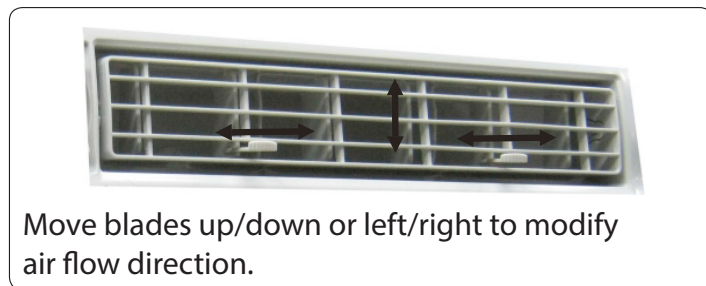
Image 2:
Vent open



Image 3:
Vent & exhaust open

CHOOSING AIR FLOW DIRECTION

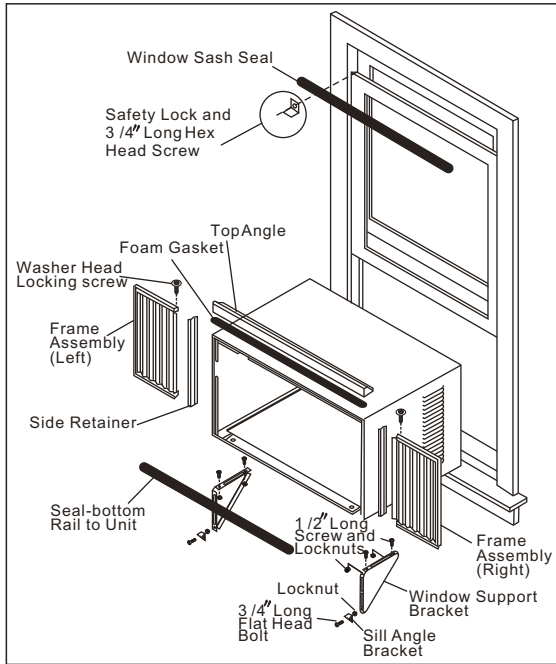
- The 4-way air directional blades allow you to direct the air flow up or down (on some models) and left or right throughout the room as needed. To adjust the directional blades side-to-side. Use the center handles as you move it side-to-side.



Move blades up/down or left/right to modify air flow direction.

INSTALLATION INSTRUCTIONS:

Please read ALL instructions before installing. Two people are recommend to install this product. If a new electrical outlet is required, have the outlet installed by a qualified electrician before installing unit.



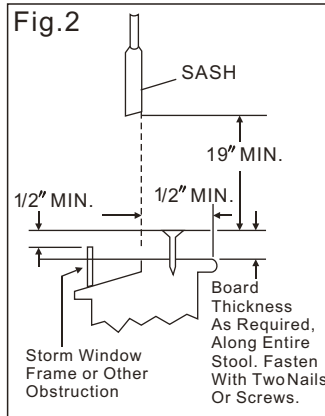
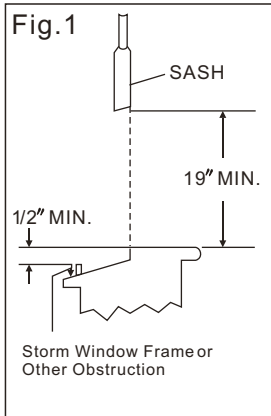
Preliminary Instructions

Do the following before starting to install unit. See illustrations below.

Check dimensions of your unit to determine model type:

Unit Height:	18 5/8"	17 5/8"
Unit Width:	26 1/2"	23 5/8"
Min. Window Opening:	19 1/2"	18 1/2"
Min. Window Width:	31"	26 1/2"
Max. Window Width:	42"	40 1/2"

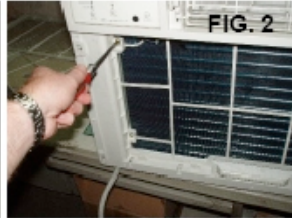
- 1. Check window opening size--** the mounting parts furnished with this air conditioner are made to install in a wooden sill double-hung window. The standard parts are for window dimensions listed above. Open sash to a minimum of 19 inches(483mm). See Fig.1.
- 2. Check condition of window--** all wood parts of window must be in good shape and able to firmly hold the needed screws. If not, make repairs before installing unit.
- 3. Check your storm windows--** if your storm window frame does not allow the clearance required, correct by adding a piece of wood as shown in FIG. 2, or by removing storm window while room air conditioner is being installed.
- 4. Check for anything that could block airflow--** check area outside of window for things such as shrubs, trees, or awnings. Inside, be sure furniture, drapes, or blinds will not stop proper airflow.
- 5. Check the available electrical service-** Power supply must be the same as that shown on the unit serial nameplate. Power cord is 48 inches long. Be sure you have an outlet near.
- 6. Carefully unpack air conditioner-** Remove all packing material. Protect floor or carpet from damage. Two people should be used to move and install unit.



WINDOW MOUNTING:

1 Remove Chassis

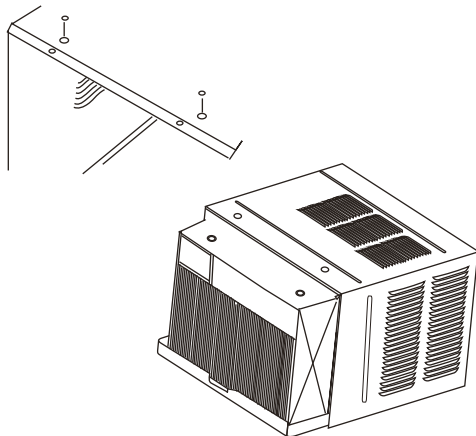
1. Pull down front panel and remove filter.
(See Fig.1).
2. Lift front upwards and place to one side.
3. Locate the four front screws and remove. These screws will be needed to re-install the front later. (See Fig.2).



4. Pry away front from cabinet sides as shown in Fig.3.
5. Gently lift front off unit and place to one side (see Fig.4).



6. Remove shipping screws from top of unit and also on the side by the base if installed.
7. Hold the cabinet while pulling on the base handle, and carefully remove the unit.
8. Add two foam inserts to holes in top of cabinet where shipping screws were removed from.



9. Your unit may come with internal packaging. This packaging must be removed prior to installing the air conditioner back into the cabinet.(see Fig.5).



2 Install Top Angle and Side Bracket

1. Attach foam gasket to top angle above holes as shown in Fig.6.
2. Install top angle and side retainers to cabinet as shown in Fig.6.

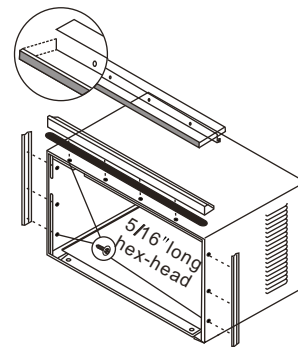


Fig.6

3 Assemble Window Filler Panels

1. Place cabinet on floor, a bench, or a table.
2. Slide "I" section of window filler panel into side retainer on the side of the cabinet (see Fig.7). Do both sides.

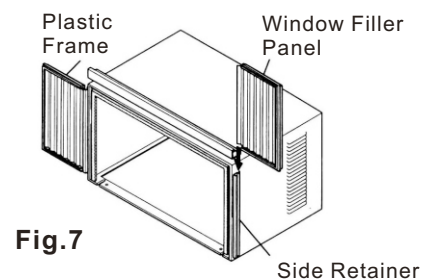
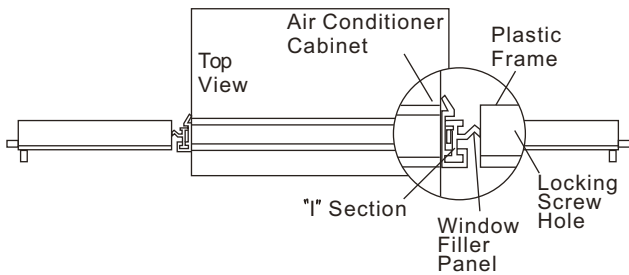


Fig.7

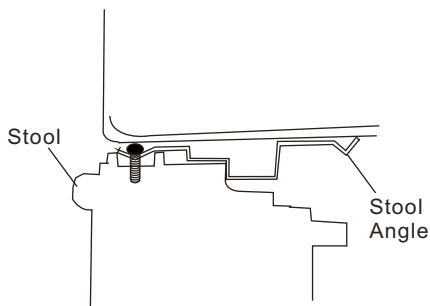
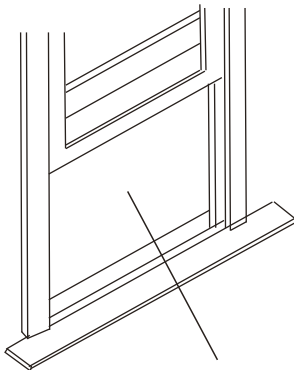
WINDOW MOUNTING (CONTINUED):



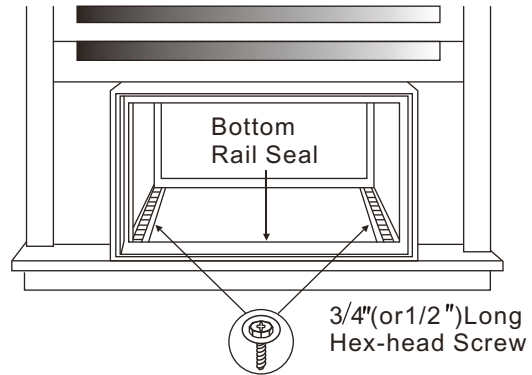
3. Insert top and bottom legs of window filler panel frame into channel in the top angle and bottom rail. Do both sides.
4. Insert washer head locking screws (2) into holes in top leg of filler panel frame (see step 6). Do not totally tighten. Allow leg to slide freely. Screws will be tightened after section 6.

4 Install Top Angle and Side Bracket

1. Open window and mark center of window stool.
2. Place cabinet in window with bottom stool angle firmly seated over window stool as shown. Bring window down temporarily behind top angle to hold cabinet in place.

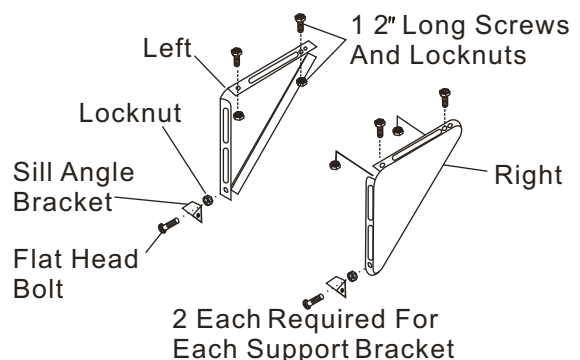
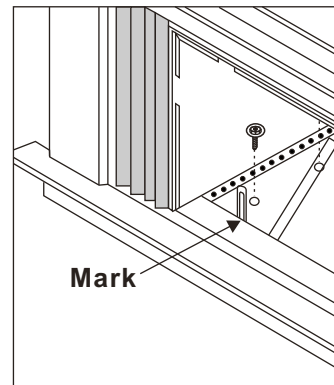


3. Shift cabinet left or right as needed to line up center of cabinet on center line marked on stool.
4. Fasten cabinet to window stool with 2 screws into holes (You may wish to pre-drill pilot holes).
5. Add bottom rail seal over screws to window stool.



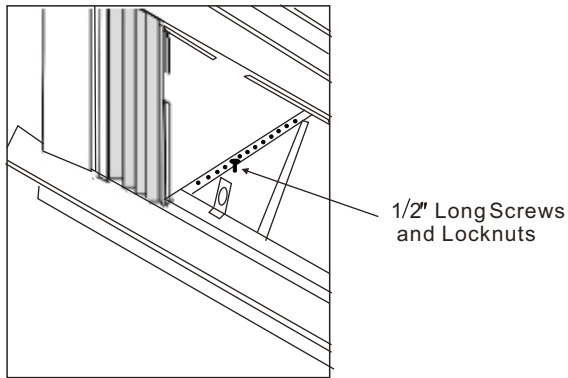
5 Install Support Bracket

1. Hold each support bracket flush against outside of sill, and tight to bottom of cabinet as shown below. Mark brackets at top level of sill, and remove.
2. Assemble sill angle bracket to support brackets at the marked position, as shown. Hand tighten, but allow for any changes later.

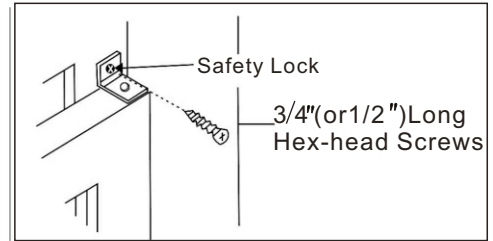


WINDOW MOUNTING (CONTINUED):

3. Install support brackets (with sill angle brackets attached) to correct hole in bottom of cabinet as shown.
4. Tighten all 6 bolts securely.

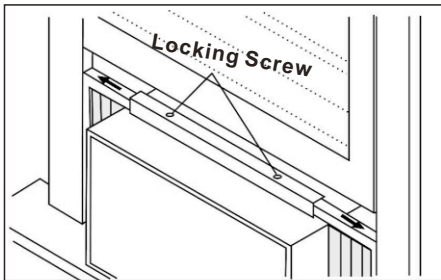


2. Attach right angle safety lock as shown.



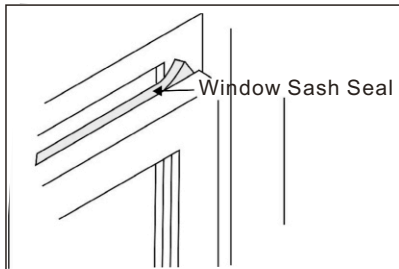
6 Extend Window Filler Panels

1. Carefully raise window to expose filler panel locking screws. Loosen screws so filler panels slide easily.
2. Extend panels to fill window opening completely. Tighten locking screws on top.
3. Close window behind top angle.



7 Install Window Lock and Sash Seal

1. Trim sash seal to fit window width. Insert into space between upper and lower sashes.



8 Install Chassis into Cabinet and Install Front to Unit

1. Lift air conditioner and carefully slide into cabinet leaving 6 inches protruding.
2. DO NOT push on controls or finned coils.
3. Be sure chassis is firmly seated towards rear of cabinet.
4. Installation of front is the reverse of removal outlined in Section 1.

IN-WALL INSTALLATION:

NOTE: Consult local building codes prior to installation, or a qualified carpenter.

1 Select Wall Location

The air conditioner has a slide-out chassis, so that it can be installed through an outside wall as specified below:

Max. Wall thickness: 12' or 10'

IMPORTANT: Side louvers must never be blocked.

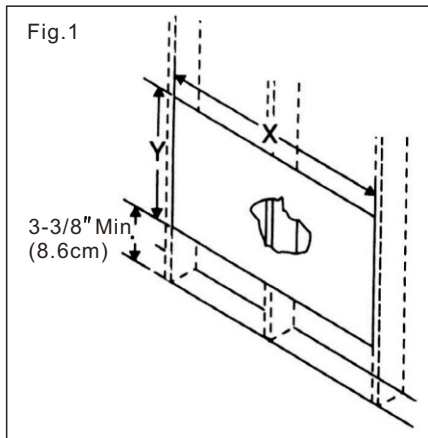
NOTE: All parts needed for Thru-The-Wall Installation are provided, except a wood frame, shims, and 10 wood screws (#10-1" long minimum).

Select a wall surface that:

1. does not support major structural loads such as the frame construction at ends of windows, and under truss-bearing points, etc.
2. does not have plumbing or wiring inside.
3. is near existing electrical outlets, or where another outlet can be installed.
4. faces, and is not blocked to the area to be cooled.
5. allows unblocked airflow from rear sides and end(outside) of installed air conditioner.

2 Prepare Wall

1. Prepare wall in frame construction (including brick and stucco veneer). Working from inside the room, find wall stud nearest the center of area where air conditioner will be installed (by sounding wall, or by magnetically finding nails).
2. Cut or knock out a hole on each side of center stud.
3. Measure between inside edges of every other stud as shown in Fig.1.



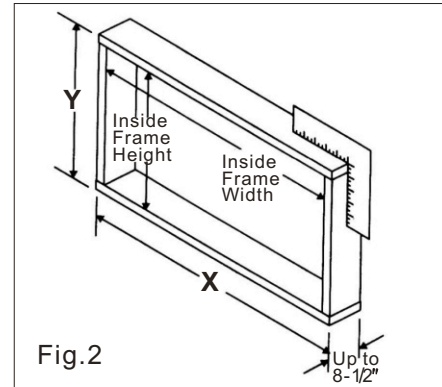
Carefully measure and cut an opening with the following dimensions depending on your model. See Fig.1 and Fig.2.

WIDTH "X" = inside model width plus twice the thickness of framing material used.

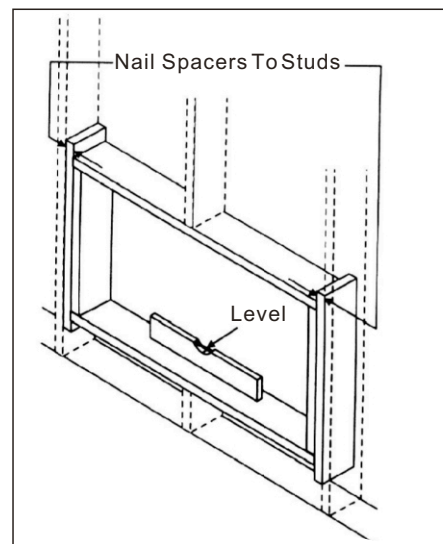
HEIGHT "Y" = inside model height plus twice the thickness of framing material used.

Inside Frame Height: 18 7/8" (47.9cm) or 18" (45.7cm)

Inside Frame Width: 26 3/4" (67.9cm) or 23 7/8" (60.6cm)



4. Build a wooden frame with the INSIDE dimensions of your model listed above. (Measure twice remember). Frame depth should be the same as wall thickness. Fill in the space from the opening to the studs with wood spacers, as shown.
5. Nail frame to spacers to studs with front flush with drywall.



IN-WALL INSTALLATION (CONTINUED):

NOTE: If wall thickness is 8-1/2" or more, add aluminum flashing over bottom of frame opening to assure no water can enter area between inner and outer wall.

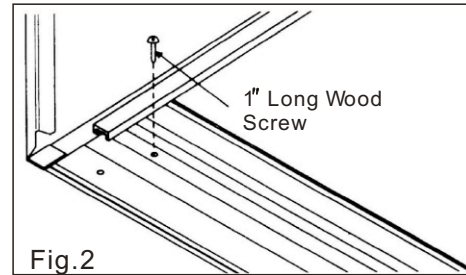
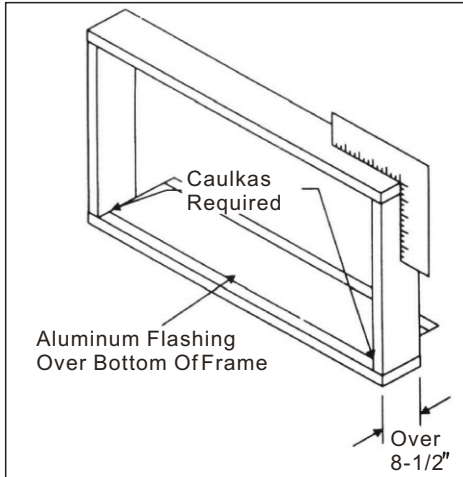
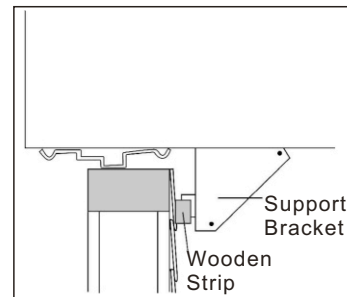


Fig.2

Refer to Step 4 of Window Mounting for assembly of support brackets. A wooden strip nailed to the outside wall should be used in conjunction with sill support angle brackets.



3 Prepare and Install Cabinet

1. Slide chassis from cabinet. Refer back to Step one of Window Mounting.
2. Place cabinet into opening with bottom rail resting firmly on bottom board of wooden frame.
3. Position cabinet to achieve proper slope for water removal. (See Fig.1 below.)

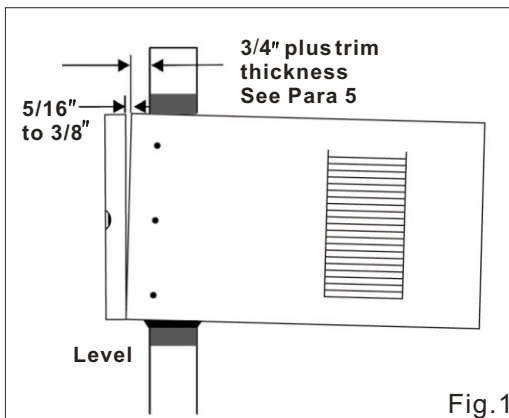
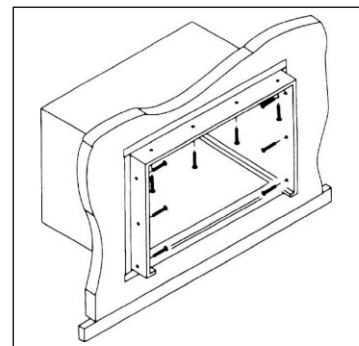


Fig.1

5. Screw or nail cabinet wooden frame using shims if frame is oversized, to eliminate distortion. Remember to maintain proper slop as described in Step 3.



4. Secure bottom rail to wood frame with two large wood screws 1" (2.5cm) long using the two holes in the bottom of the channel resting on frame. (See Fig.2 following).

6. Install chassis into cabinet by following all steps in Step 8 of Window Mounting.

IN-WALL INSTALLATION (CONTINUED):

OPTIONAL: Caulking and installation of trim on interior wall may be done. You can buy wood from your local lumber or hardware supply. On the outside, caulk openings around top and sides of cabinet, and all sides of wood sleeve to the opening.

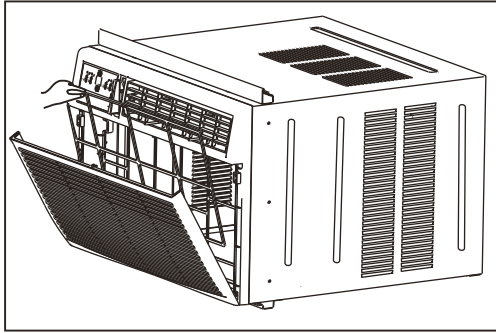
NOTE: See Step 7, Item 3 of Window Mounting Instructions for bottom rail seal location.

MASONRY INSTALLATION:

1. Cut or build a wall opening in the masonry wall similar to the frame construction (refer to Step 2 of Thru-the-wall Installation for a wall thickness greater than 8-1/2").
2. Secure cabinet in place using masonry nails, or the right masonry anchor screws. (Another way to do this is to build an in-between frame of 2x4 s as shown in the Step 2 Prepare Wall illustrations-but make it double framed on either side, and install between masonry wall opening and cabinet. Frame must be securely anchored to masonry wall opening). This way gives very good louver clearance on either side of cabinet.
3. Install a lintel to support masonry wall above cabinet. Existing holes in cabinet can be used and/ or additional holes can be drilled to fasten cabinet at various positions. Be sure that side louver clearance is in accordance with Step 1 above.
4. Install exterior cabinet support brackets as shown in Step 2 of Thru-the-wall installation. Caulk or flash if needed, to provide a weather-tight seal around top and sides of cabinet.
5. To complete installation, apply wood trim molding around room side projection of cabinet.

⚠ CAUTION

Clean your air conditioner occasionally to keep it looking new.
Be sure to unplug the unit before cleaning to prevent shock or fire hazards.



Air Filter Cleaning

The air filter should be checked at least once a month to see if cleaning is necessary. Trapped particles in the filter can build up and cause an accumulation of frost on the cooling coils.

- Push the vent handle to the Vent Closed position (where applicable).
- Open the front panel.
- Grasp the filter, pull up and out.
- Wash the filter using liquid dishwashing detergent and warm water. Rinse filter thoroughly.
- Gently shake excess water from the filter. Be sure the filter is thoroughly dry before replacing.
- Or, instead of washing you may vacuum the filter clean.

Note: Never use hot water over 40°C (104°F) to clean the air filter. Never attempt to operate the unit without the air filter.

Cabinet Cleaning

- Be sure to unplug the air conditioner to prevent shock or fire hazard. The cabinet and front may be dusted with an oil-free cloth or washed with a cloth dampened in a solution of warm water and mild liquid dishwashing detergent. Rinse thoroughly and wipe dry.
- Never use harsh cleaners, wax or polish on the cabinet front.
- Be sure to wring excess water from the cloth before wiping around the controls. Excess water in or around the controls may cause damage to the air conditioner.
- Plug in air conditioner.

Winter Storage

If you plan to store the air conditioner during the winter, remove it carefully from the window according to the installation instructions. Cover it with plastic or return it to the original carton.

TROUBLESHOOTING TIPS:



SAVE TIME AND MONEY!

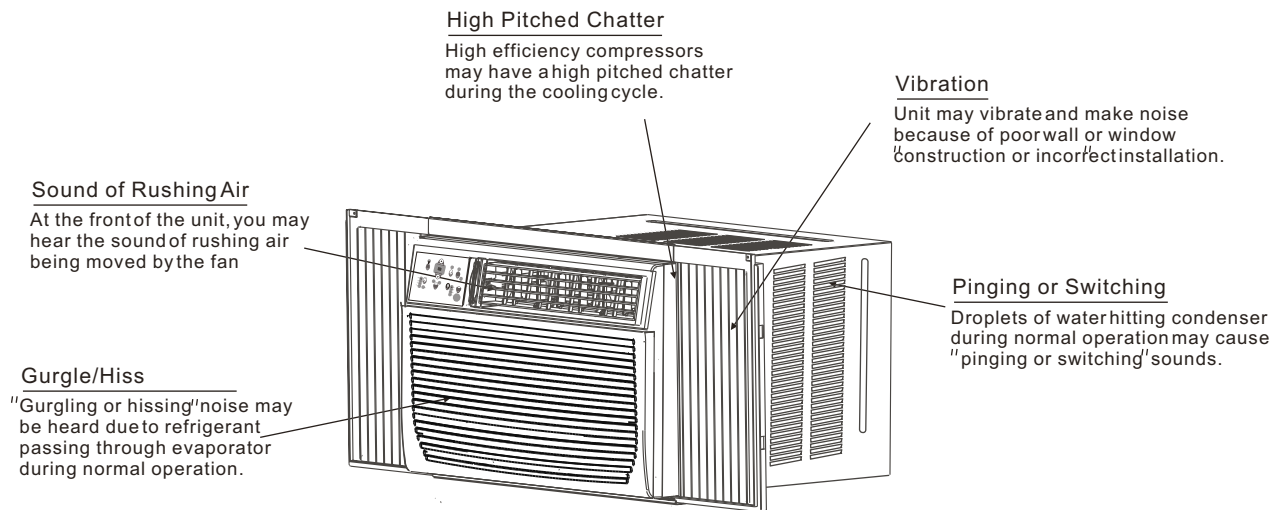
If you review our chart of Troubleshooting Tips first, you may not need to call for service at all.

Problem	Solution
Air conditioner does not start	<i>Wall plug disconnected. Push plug firmly into wall outlet.</i>
	<i>House fuse blown or circuit breaker tripped. Replace fuse with time delay type or reset circuit breaker.</i>
	<i>Plug Current Device Tripped. Press the RESET button.</i>
	<i>Control is OFF. Turn Control ON and set to desired setting.</i>
Air from unit does not feel cold enough	<i>Room temperature below 17°C(62°F). Cooling may not occur until room temperature rises above 17°C(62°F).</i>
	<i>Temperature sensing element touching cold coil, located behind air filter. Straighten tube away from coil.</i>
	<i>Reset to a Lower temperature.</i>
	<i>Compressor shut-off by changing modes. Wait approximately 3 minutes and listen for compressor to restart when set in the COOL mode.</i>
Air conditioner cooling, but room is too warm- ice forming on cooling coil behind decorative front.	<i>Outdoor temperature below 17°C(62°F). To defrost the coil, set FAN ONLY mode.</i>
	<i>Air filter may be dirty. Clean filter. Refer to Care and Cleaning section. To defrost, set to FAN ONLY mode.</i>
	<i>Thermostat set too cold for night-time cooling. To defrost the coil, set to FAN ONLY mode. Then, set temperature to a Higher setting.</i>
Air conditioner cooling, but room is too warm- NO ice forming on cooling coil behind decorative front.	<i>Dirty air filter- air restricted. Clean air filter. Refer to Care and Cleaning section.</i>
	<i>Temperature is set too High, set temperature to a Lower setting.</i>
	<i>Air directional louvers positioned improperly. Position louvers for better air distribution.</i>
	<i>Front of units is blocked by drapes, blinds, furniture, etc. - restricts air distribution. Clear blockage in front of unit.</i>
	<i>Doors, windows, registers, etc. Open- cold air escapes. Close doors, windows, registers.</i>
	<i>Unit recently turned on in hot room. Allow additional time to remove " Stored heat " from walls, ceiling, floor and furniture.</i>
Air conditioner turns on and off rapidly	<i>Dirty air filter- air restricted. Clean air filter.</i>
	<i>Outside temperature extremely hot. Set FAN speed to a Higher setting to bring air past cooling coils more frequently.</i>
Noise when unit is cooling	<i>Air movement sound. This is normal . If too loud, set to a slower FAN setting.</i>
	<i>Window vibration - poor installation. Refer to installation instructions or check with installer.</i>
Water dripping INSIDE when unit is cooling.	<i>Improper installation. Tilt air conditioner slightly to the outside to allow water drainage. Refer to installation instructions - check with installer.</i>

TROUBLESHOOTING TIPS:

Problem	Solution
Water dripping OUTSIDE when unit is cooling.	Unit removing large quantity of moisture from humid room. This is normal during excessively humid days.
Remote Sensing Deactivating Prematurely (some models)	Remote control not located within range. Place remote control within 20 feet & 180°, radius of the front of the unit. Remote control signal obstructed. Remove obstruction.
Room too cold	Set temperature too low. Increase set temperature.

MACHINE SOUNDS/NOISES:



OPERATING CONDITIONS:

Cooling operation	Outdoor temp:	18-43°C(T ₁ Environment)	21-52°C(T ₃ Environment)
	Indoor temp:	17-32 °C(T ₁ Environment)	17-32°C(T ₃ Environment)
Heating operation	Outdoor temp:	-5-24°C(T ₁ Environment)	-7-24°C(T ₃ Environment)
	Indoor temp:	0 -27 °C(T ₁ Environment)	0-30°C(T ₃ Environment)

Note: Performance may be reduced outside of these operating temperatures.

CONTACT SUPPORT:

Impecca customer support can be contacted in the following methods:

- E-mail: service@impeccausa.com
- Online 24/7: www.impeccausa.com
- By phone: +1 (866) 954-4440