

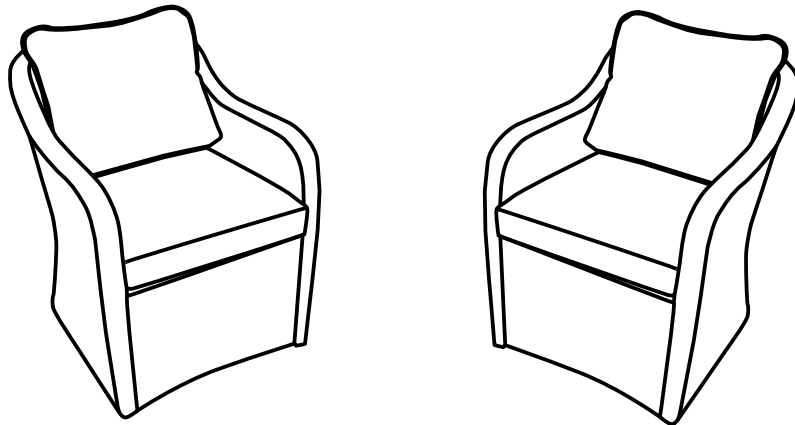


Item # 1000 054 259  
YOW SKU # 658 835  
Model #153-105-LC-PR

## USE AND CARE GUIDE

---

### CANE CROSSING LOUNGE CHAIRS 2-PACK



Questions, problems, missing parts? Before returning to the store,  
call Hampton Bay Customer Service  
8.00 a.m. - 6.00 p.m., EST, Monday - Friday

**1-855-HD-HAMPTON**

**HAMPTONBAY.COM**

---

#### **THANK YOU**


*We appreciate the trust and confidence you have placed in Hampton Bay through the purchase of the two pieces of lounge chairs. We strive to continually create quality products designed to enhance your home. Visit us online to see our full line of products available for your home improvement needs. Thank you for choosing Hampton Bay!*

# Table of Contents

Table of Contents.....	2	Pre-Assembly.....	3
Safety Information.....	2	Planning Assembly.....	3
Warranty.....	2	Hardware Included.....	3
2 Year Frame, Weave and Fabric Limited Warranty.....	2	Package Contents.....	4
What Is Covered.....	2	Assembly.....	5
What Is Not Covered.....	2		
Care Instructions.....	2		

# Safety Information

 **DANGER:** Please keep children out of the assembly area during assembly.

 **IMPORTANT:** Please check the tightness of bolts periodically.

# Warranty

## 2 YEAR FRAME/ WEAVE/ FABRIC LIMITED WARRANTY

### WHAT IS COVERED

We warrant the frame, weave and fabric to be free of manufacturing defects to the original purchaser for two years.

### WHAT IS NOT COVERED

It remains the customer's responsibility for freight and packaging charges to and from our service center. This warranty does not cover commercial use, hardware, acts of nature, fire, freezing and abusive use. In addition, purchased parts are not covered under this warranty. We reserve the right to make substitutions with similar merchandise, if the model in question is no longer in production.

# Care Instructions

Before using, wipe with a clean, dry cloth. Do not use bleach or solvents. Treat frame with one-step liquid wax for maximum protection against UV light and salty, damp air. When not in use, store furniture in a cool, dry place. If your set includes cushions or mesh fabric, they may be cleaned by hand with a mild solution of soap and water. Rinse cushion thoroughly and allow to drip dry. Do not machine wash or tumble dry, as cushions may shrink. Do not use bleach or solvents on fabrics.

You may contact our customer service department with any questions by phone at 1-855-HD-HAMPTON or visit [www.hamptonbay.com](http://www.hamptonbay.com).

# Pre-Assembly

## PLANNING ASSEMBLY

It will take two people about 20 minutes to complete the assembly process.

## HARDWARE INCLUDED



NOTE: Hardware not shown to actual size.



AA



BB



CC



DD

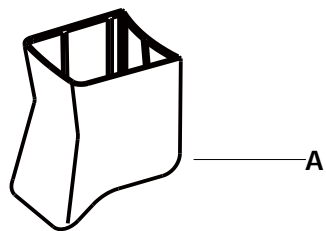


EE

Part	Description	Quantity
AA	Bolt (M6x20)	4
BB	Bolt (M6x35)	8
CC	Washer	12
DD	Bolt cap	12
EE	Wrench	1

# Pre-Assembly (continued)

## PACKAGE CONTENTS



Part	Description	Quantity
A	Chair frame	2
B	Seat panel	2
C	Seat pad	2
D	Back cushion	2

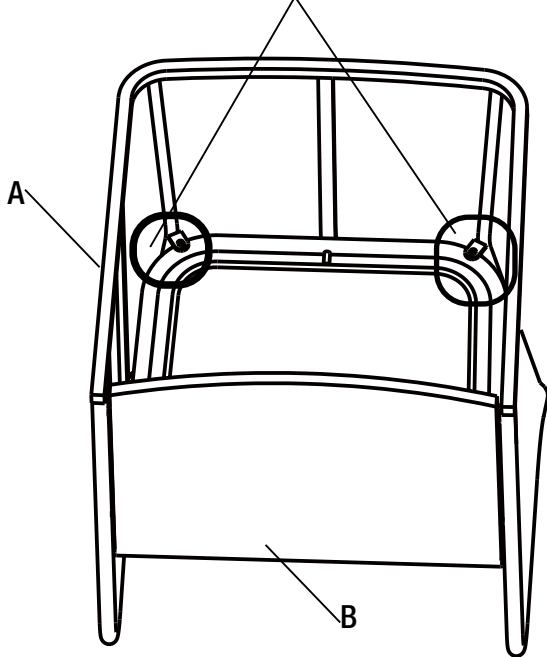
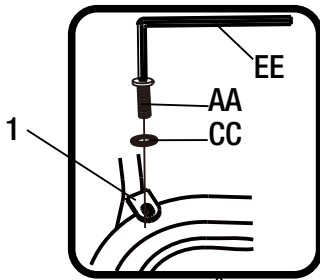
# Assembly

## 1 Attaching the seat panel (1)

- Place the chair frame (A) upside down on a flat, smooth surface.
- Attach the seat panel (B) to the tabs (1) of the chair frame (A) with washers (CC) and bolts (AA) using the wrench (EE). The tabs (1) are located on the rear legs inside the chair frame (A).

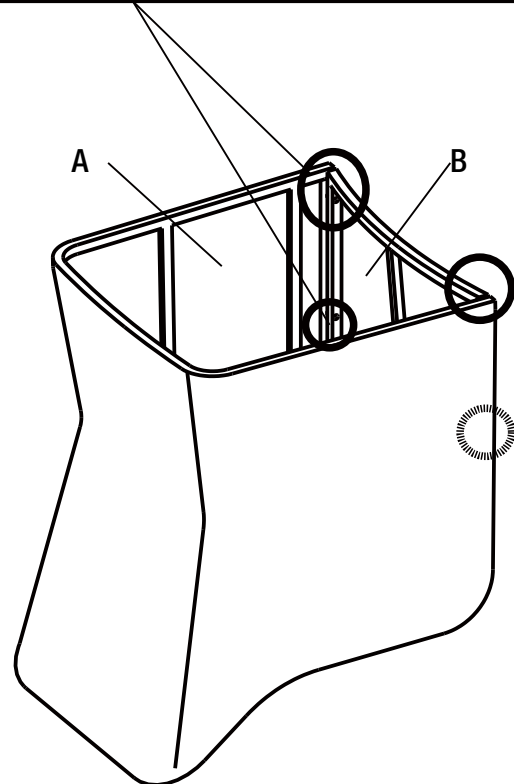
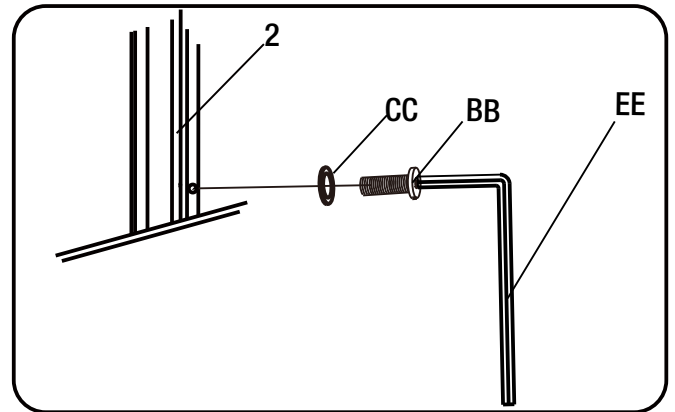


**IMPORTANT:** Do not fully tighten bolts (AA) until the end of Step 2.



## 2 Attaching the seat panel (2)

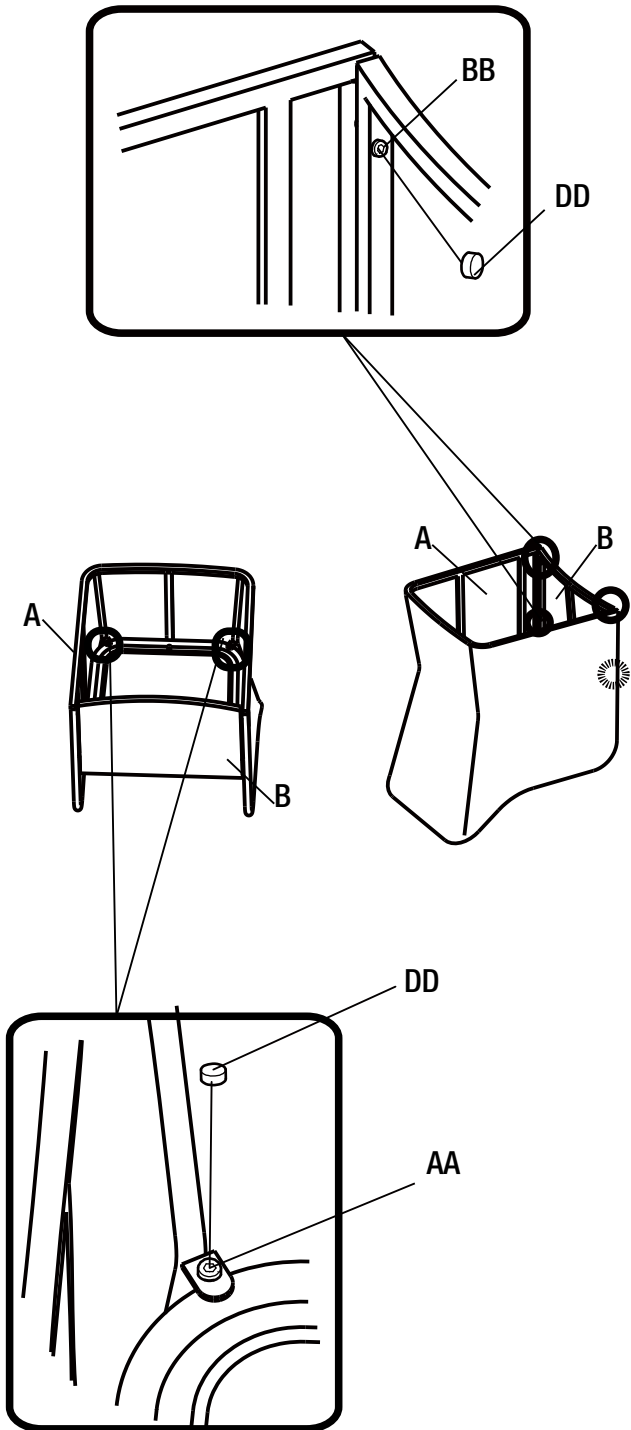
- Attach the seat panel (B) to the front legs (2) of the chair frame (A) with washers (CC) and bolts (BB).
- Fully tighten all the bolts (AA and BB) with the wrench (EE).



# Assembly

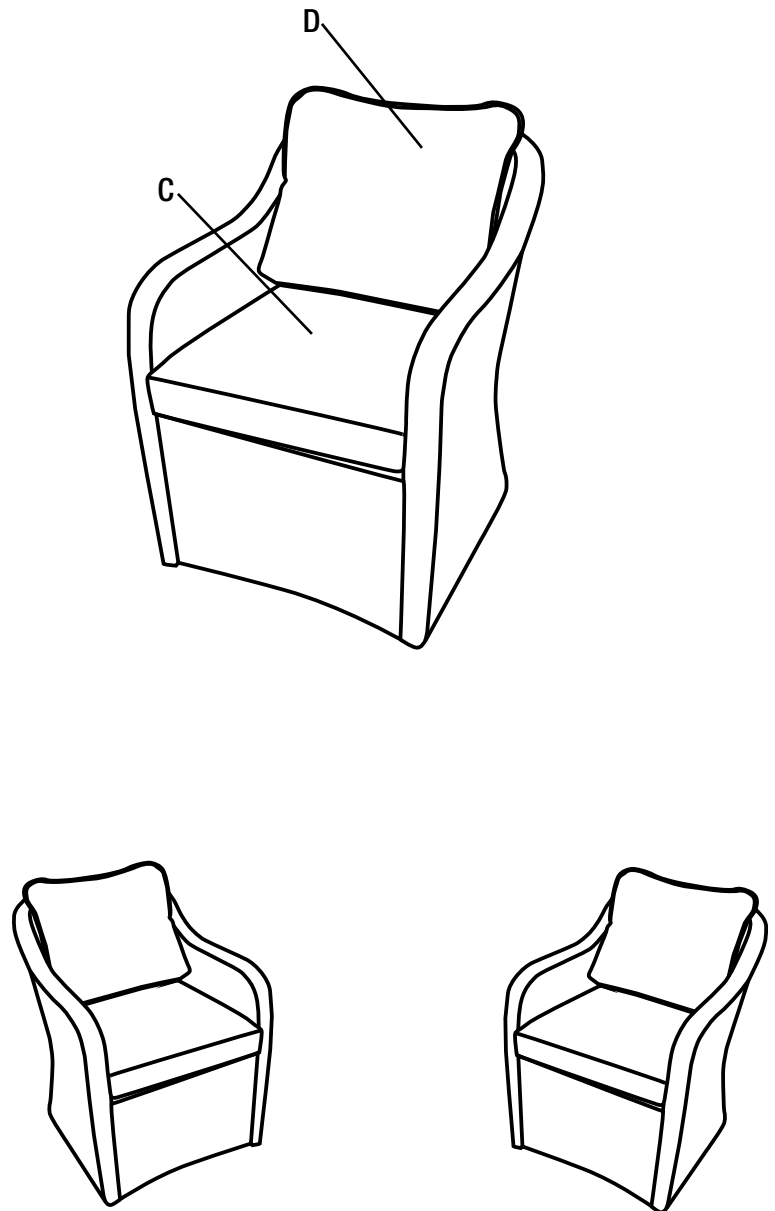
## 3 Attaching the bolt caps

- Cover all the bolts (AA and BB) with plastic bolt caps (DD).



## 4 Placing the cushions on the chair

- Turn the chair upright.
- Place the cushions (C and D) on the chair.
- Repeat steps 1 through 4 for the other chair.





Questions, problems, missing parts? Before returning to the store,  
call Hampton Bay Customer Service  
8.00 a.m. – 6.00 p.m., EST, Monday-Friday

**1-855-HD-HAMPTON**

**HAMPTONBAY.COM**

Retain this manual for future use.