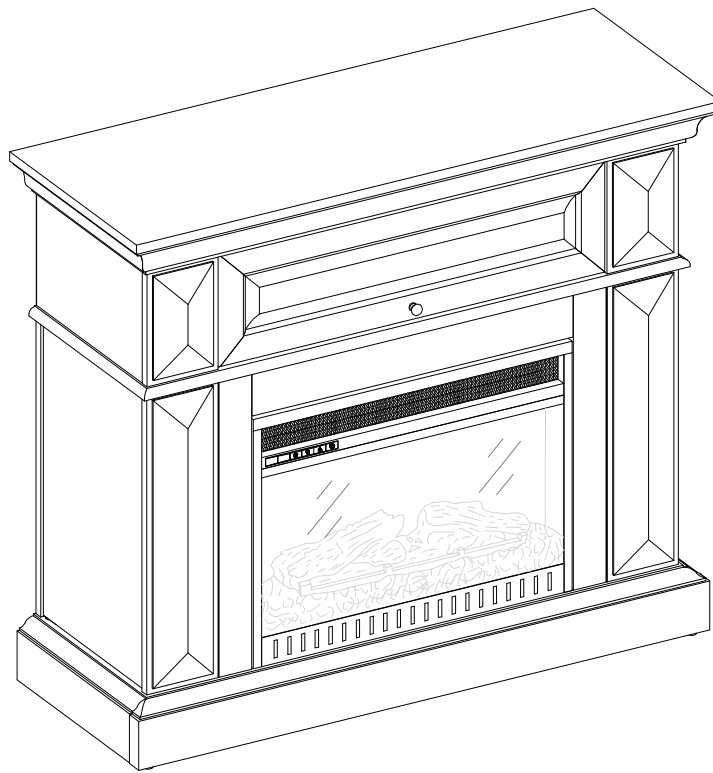


HOME
DECORATORS
COLLECTION

SKU # 1001803993
Model # WSFP42HD-11

ASSEMBLY INSTRUCTIONS

Coleridge 42 inch Mantel Console Infrared Electric Fireplace in Medium Cherry Finish



**Questions, problems, missing parts? Before returning to the store,
call Home Decorators Collection Customer Service
8 a.m. - 6 p.m., EST, Monday-Friday**

1-800-986-3460

HOMEDEPOT.COM/HOMEDECORATORS

THANK YOU

We appreciate the trust and confidence you have placed in Home Decorators Collection through the purchase of this fireplace console. We strive to continually create quality products designed to enhance your home. Visit us online to see our full line of products available for your home improvement needs. Thank you for choosing Home Decorators Collection!

Table of Contents

Table of Contents.....	2
Safety Information.....	2
Warranty	2
Pre-Assembly.....	2
Planning Assembly.....	2
Tools required	2

Hardware Included.....	3
Package Contents	4
Assembly.....	5
Care and Maintenance.....	18

Safety Information

Please read and understand these instructions before assembling and using this console. Save these instructions for future reference.

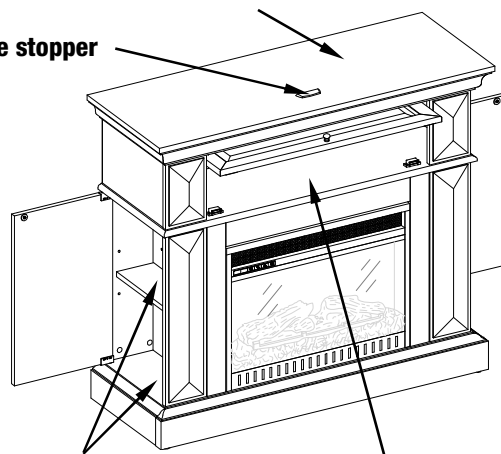
MAXIMUM RECOMMENDED WEIGHT LOADS



WARNING: This unit is not intended for use with CRT TVs. Use only with flat panel TVs and audio/video equipment meeting recommended size and weight limits. Never use with larger/heavier than recommended flat panel TVs or equipment. To avoid instability, place flat panel TV in the centre of the unit; the base of the television must be able to rest on the supporting surface of the unit without over-hanging the edges. Improperly positioned flat panel TVs, or flat panel TVs or other equipment that exceed recommended size and weight limits could fall off or break the unit, causing possible serious injury.

Fits up to most 127 cm / 50 inch flat panel TVs
Maximum load 61.2 kg / 135 lb

Place TV behind the stopper



Maximum load 6.8 kg / 15 lb Maximum load 22.6 kg / 50 lb

Warranty

We are confident that you will be delighted with this purchase. Should this product be defective in workmanship or materials, or fail under normal use, we will repair or replace it for a period of up to one (1) year from date of purchase.

This warranty gives you specific rights and you may also have other rights which vary from state to state.

Contact the Customer Service Team at 1-800-986-3460 or visit www.HomeDepot.com/homedecorators.

Pre-Assembly

PLANNING ASSEMBLY

Compare all parts with the Hardware Included and Package Contents list. If any part appears missing or damaged, do not assemble this product and contact the Customer Service Team at 1-800-986-3460.

TOOLS REQUIRED



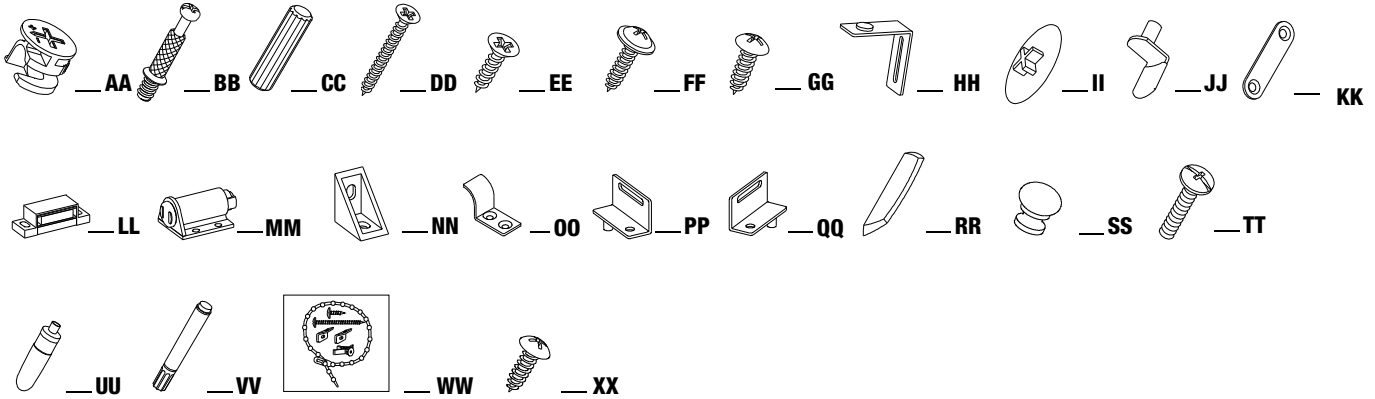
Phillips
screwdriver
(not provided)

Pre-Assembly (continued)

HARDWARE INCLUDED



NOTE: Hardware not shown to actual size.

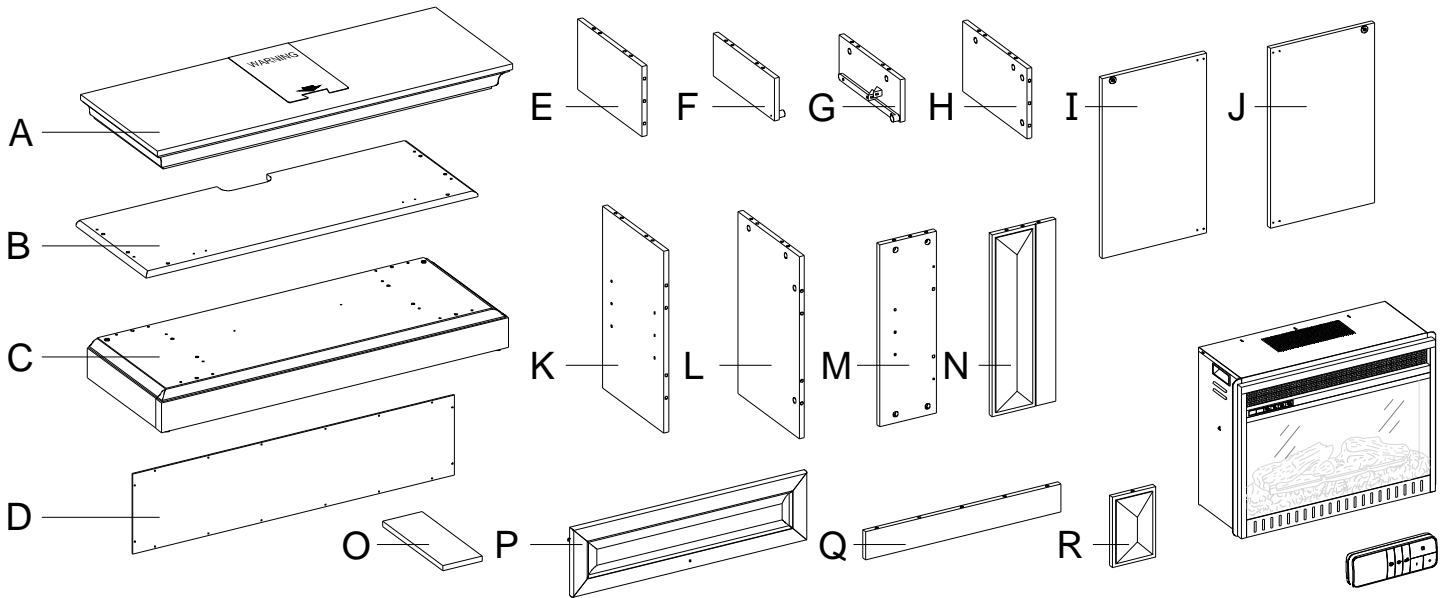


Part	Description	Quantity
AA	Cam lock	39 + 1 extra
BB	Cam bolt	39 + 1 extra
CC	Wood dowel	44 + 2 extra
DD	Long wood screw	14 + 1 extra
EE	Short wood screw	16 + 1 extra
FF	Washer head screw	16 + 1 extra
GG	Long pan head screw	12 + 1 extra
HH	L-shaped metal brace	2
II	Cam lock cover	24 + 1 extra
JJ	Shelf support	8 + 1 extra
KK	Straight metal plate	2
LL	Magnetic catch	2

Part	Description	Quantity
MM	Push magnetic catch	2
NN	Corner connector	2
OO	Hook	2
PP	Left bottom / right upper pivot hinge	2
QQ	Right bottom / left upper pivot hinge	2
RR	Acrylic stopper	1
SS	Knob	1
TT	Knob bolt	1
UU	Glue	1
VV	Touch-up pen	1
WW	Tipping restraint hardware kit	2
XX	Short pan head screw	6 + 1 extra

Pre-Assembly (continued)

PACKAGE CONTENTS



Part	Description	Quantity
A	Top panel	1
B	Center shelf	1
C	Base	1
D	Back panel	1
E	Left upper side panel	1
F	Barrister door left support	1
G	Barrister door right support	1
H	Right upper side panel	1
I	Left door	1
J	Right door	1

Part	Description	Quantity
K	Left lower side panel	1
L	Right lower side panel	1
M	Lower back panel	2
N	Lower front panel	2
O	Adjustable shelf	2
P	Barrister door	1
Q	Center crossbar	1
R	Upper front molding	2
	Fireplace insert	1
	Remote control with battery	1

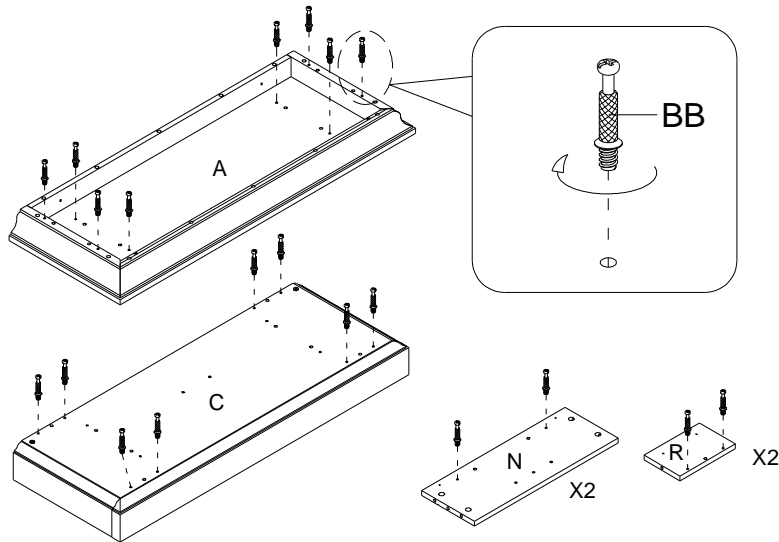
Assembly

1 Screwing the cam bolts



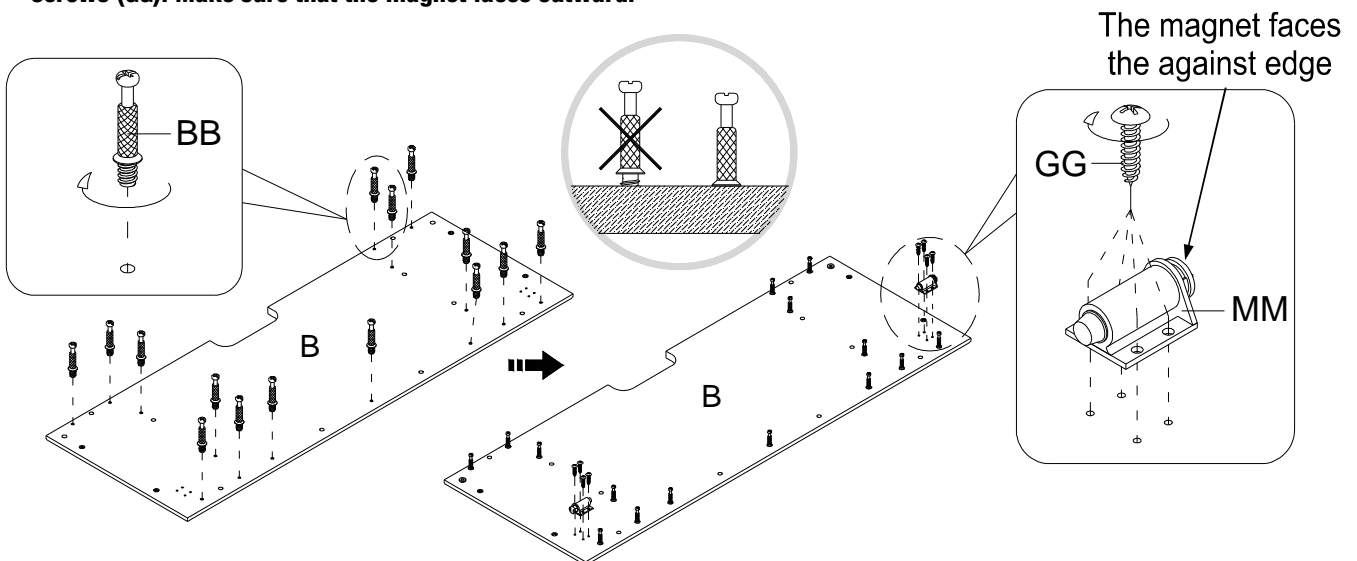
NOTE: Do not fully tighten all bolts until you finish assembling all parts. Once assembled, go back and fully tighten all bolts. This will make the assembly easier.

- Unpack the unit and confirm that you have all the hardware and required parts. Assemble the unit on a carpeted floor or the empty carton to avoid any scratch.
- Securely screw the cam bolts (BB) into the designated small holes on the top panel (A), the base (C), the lower front panels (N) and the upper front moldings (R) by a Phillips screwdriver.



2 Attaching the cam bolts and push magnetic catches

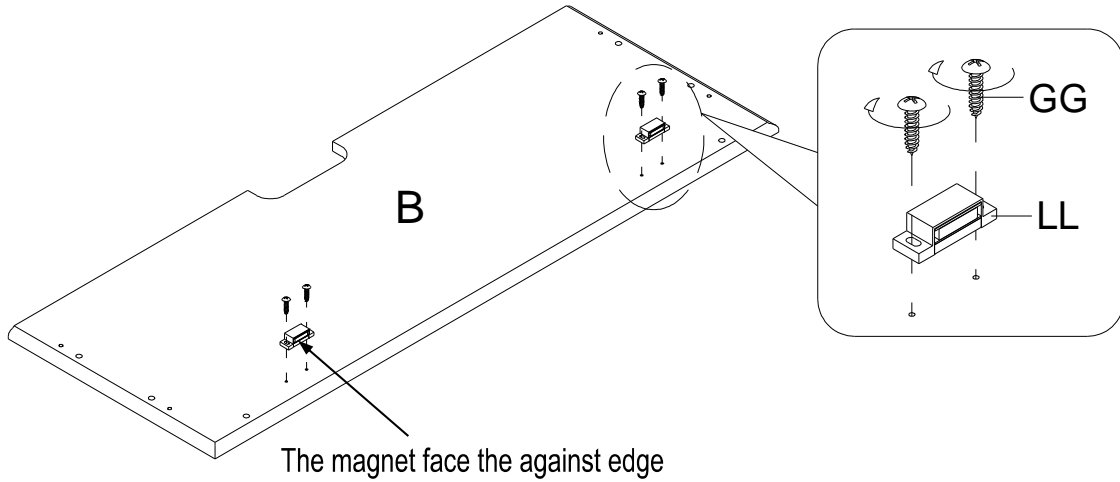
- Securely screw the cam bolts (BB) into the designated small holes on the center shelf (B) by a Phillips screwdriver.
- Using the pilot holes as a guide, fasten two push magnetic catches (MM) to the center shelf (B) with eight long pan head screws (GG). Make sure that the magnet faces outward.



Assembly (continued)

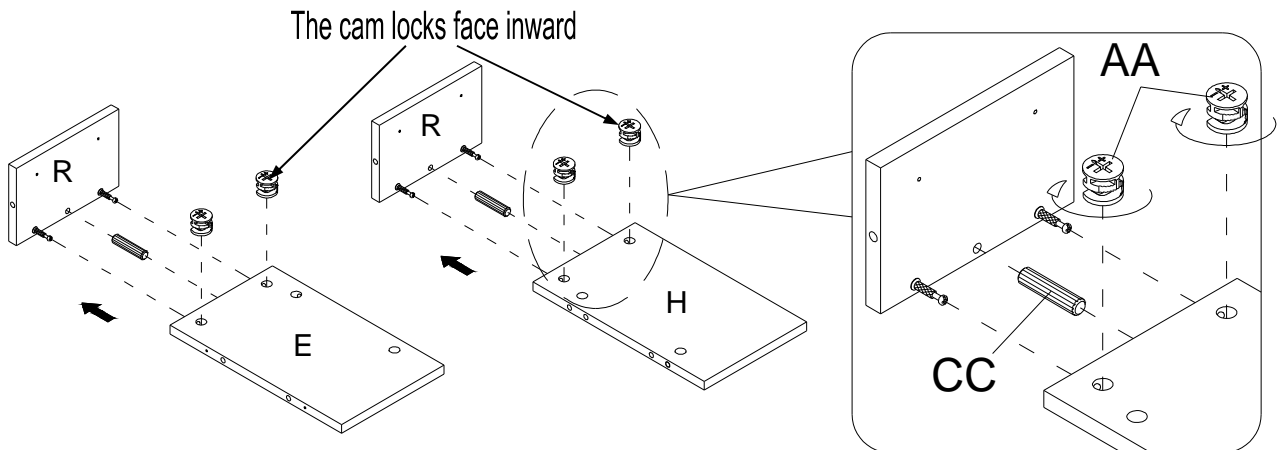
3 Attaching the magnetic catches

- Flip the center shelf (B) around .
- Align two magnetic catches (LL) to the pilot holes on the center shelf (B) keep the magnetic plates facing the finished edge. And then attach the magnetic catches (LL) in place using two long pan head screws (GG) per catch.

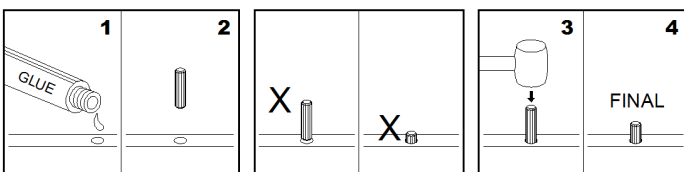


4 Combining the upper moldings and side panels

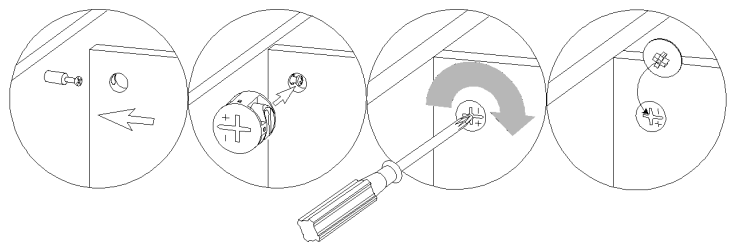
- Glue one wood dowel (CC) into the inner hole of the left upper side panel (E) and attach it to one upper front molding (R) by engaging two cam locks (AA) as shown.
- Repeat the same procedure to combine the other upper front molding (R) and the right upper side panel (H) together.



The dowel assembling guide



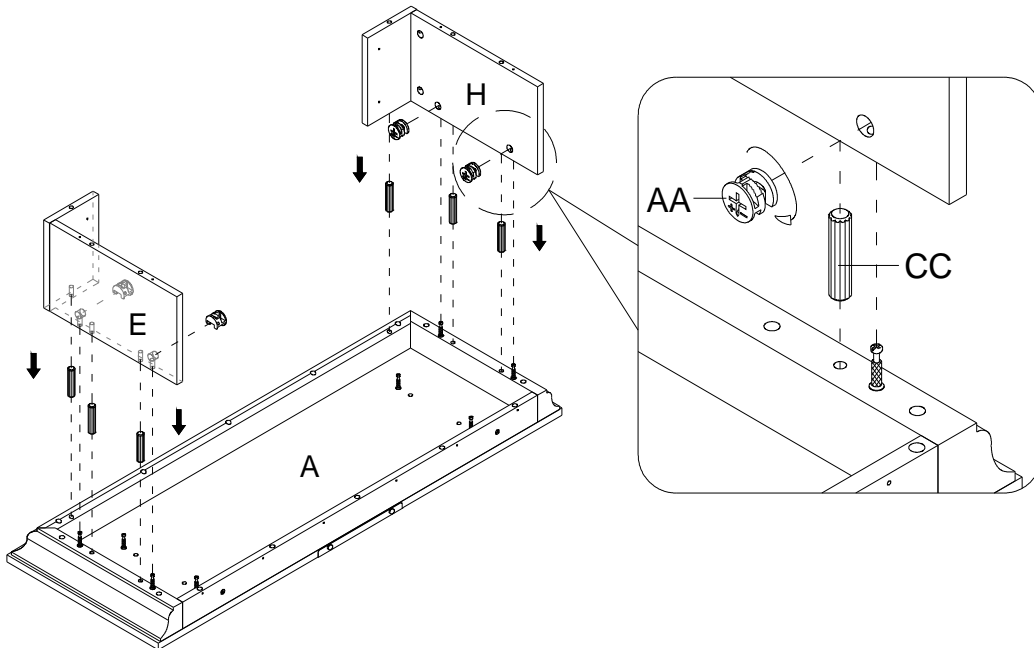
The cam lock assembling guide



Assembly (continued)

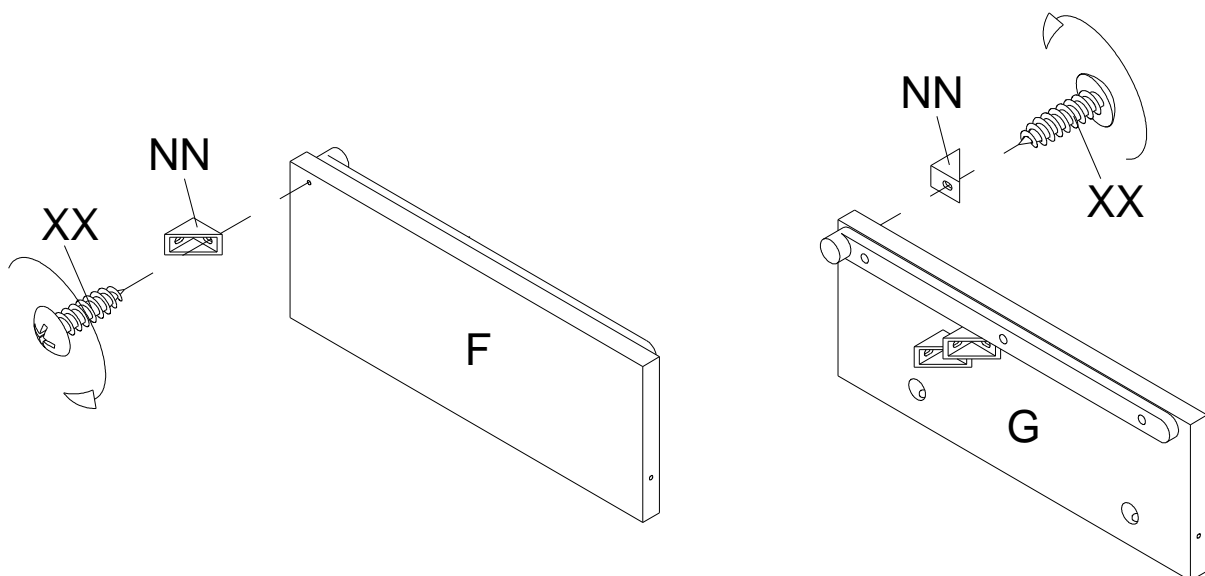
5 Installing the upper side panel assemblies

- Glue six wood dowels (CC) into the inner holes drilled on the top edge of upper side panel assemblies (E, H and R) and attach them to the top panel (A) by engaging four cam locks (AA).



6 Installing the corner connectors

- Using the pilot hole as a guide, fasten one corner connector (NN) to the front bottom corner of barrister door left support (F) with one short pan head screw (XX). Make sure that the front edges are even with each other.
- Repeat the same procedure with the barrister door right support (G)

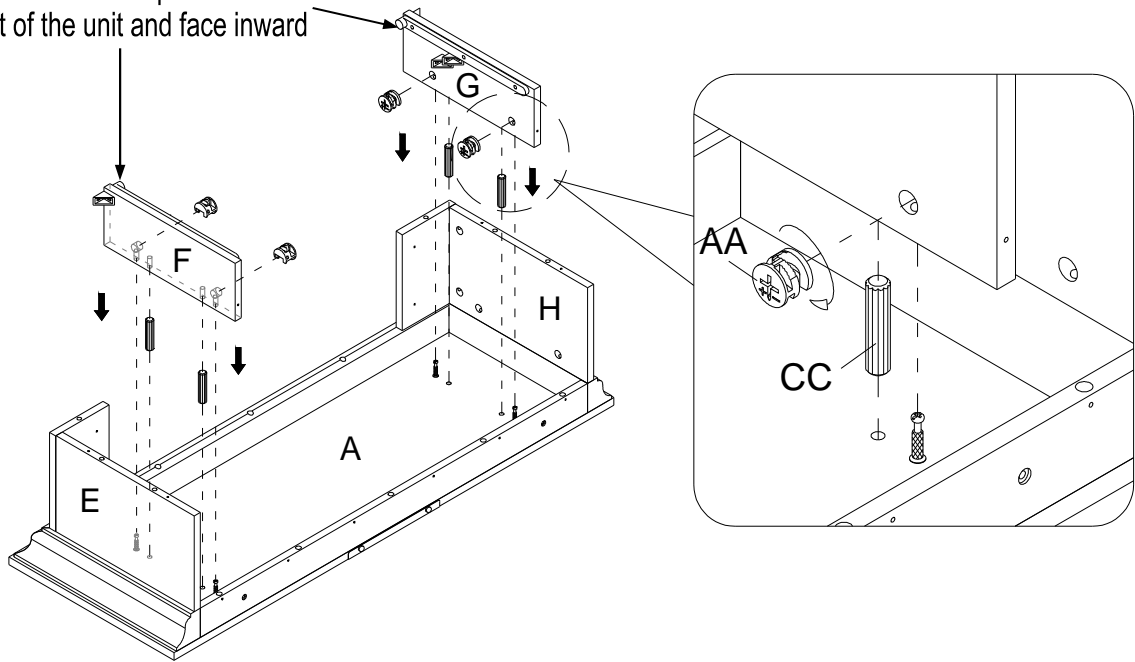


Assembly (continued)

7 Attaching the barrister door supports

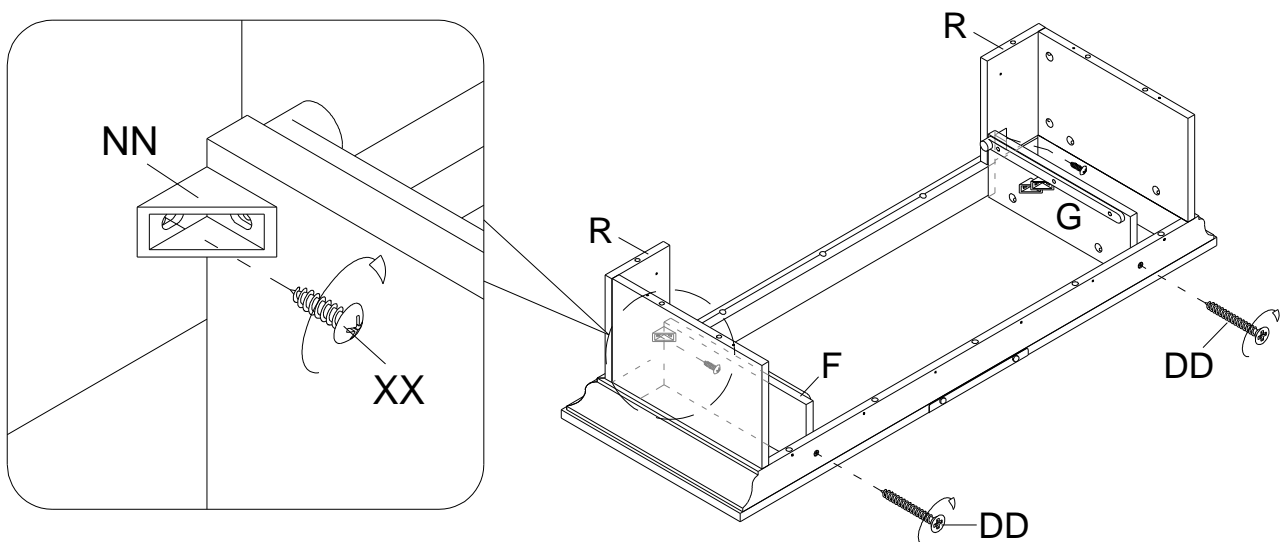
- Glue four wood dowels (CC) into the inner holes on the upper edge of barrister door supports (F and G) and attach them to the top panel (A) by engaging four cam locks (AA).

The hook holders point towards front of the unit and face inward



8 Securing the barrister door supports

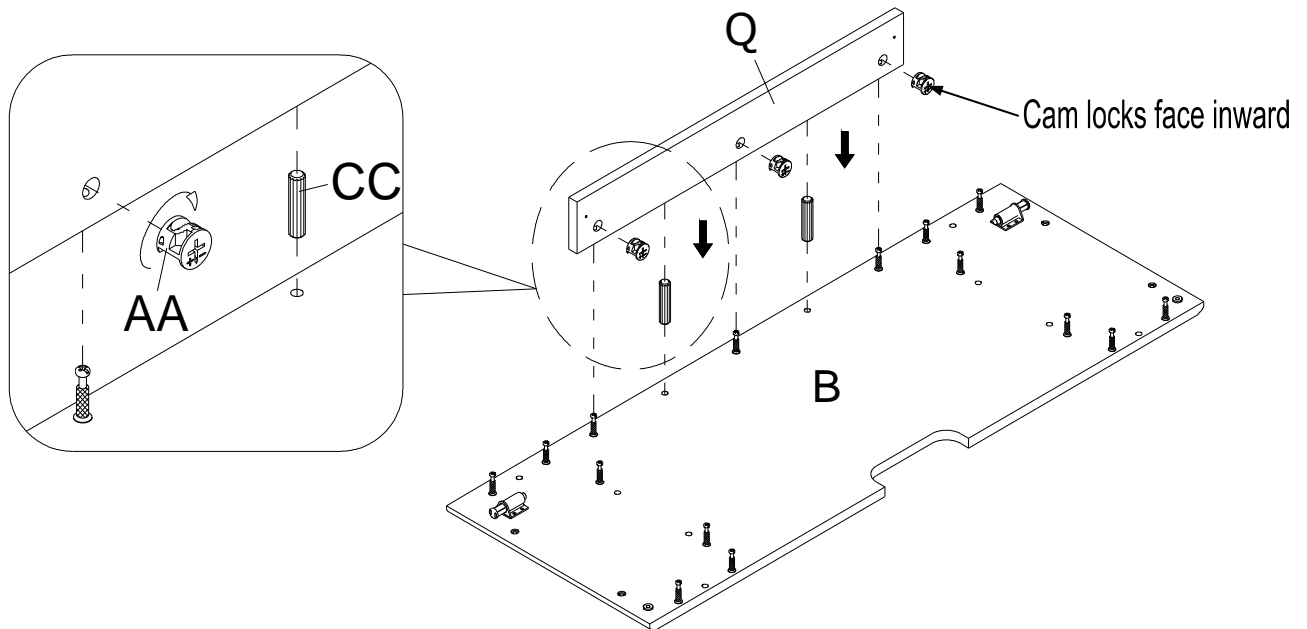
- Fasten the barrister door supports (F and G) to the back stretcher of top panel (A) with two long wood screws (DD).
- Insert two short pan head screws (XX) through the corner connectors (NN) installed on the barrister door supports (F and G) and securely screw into the top front moldings (R).



Assembly (continued)

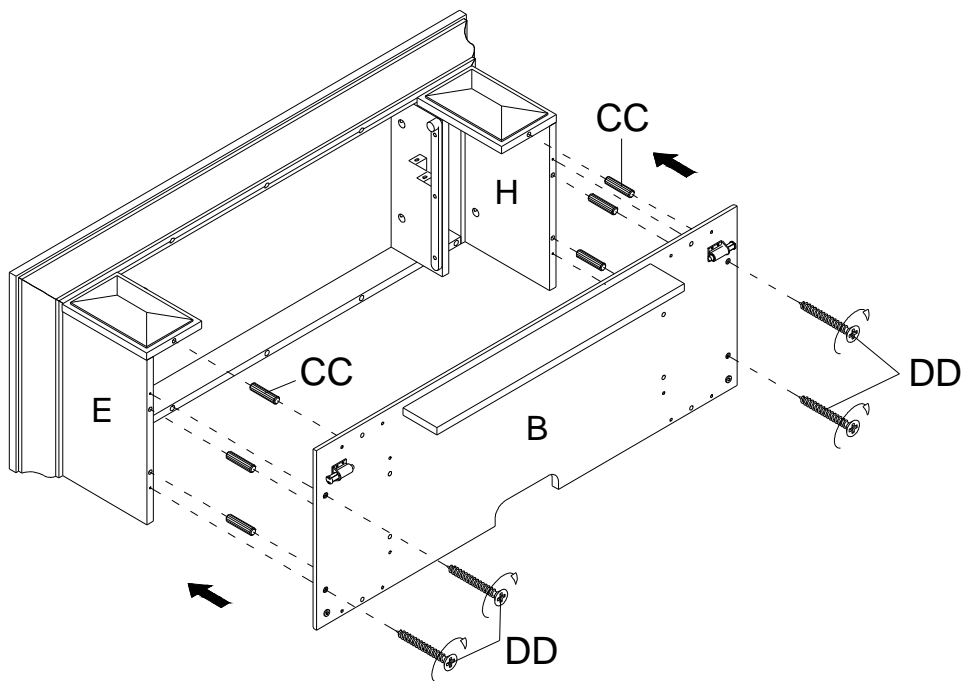
9 Attaching the center crossbar

- Align and attach the center crossbar (Q) to the center shelf (B) with two wood dowels (CC) and three cam locks (AA).



10 Installing the center shelf

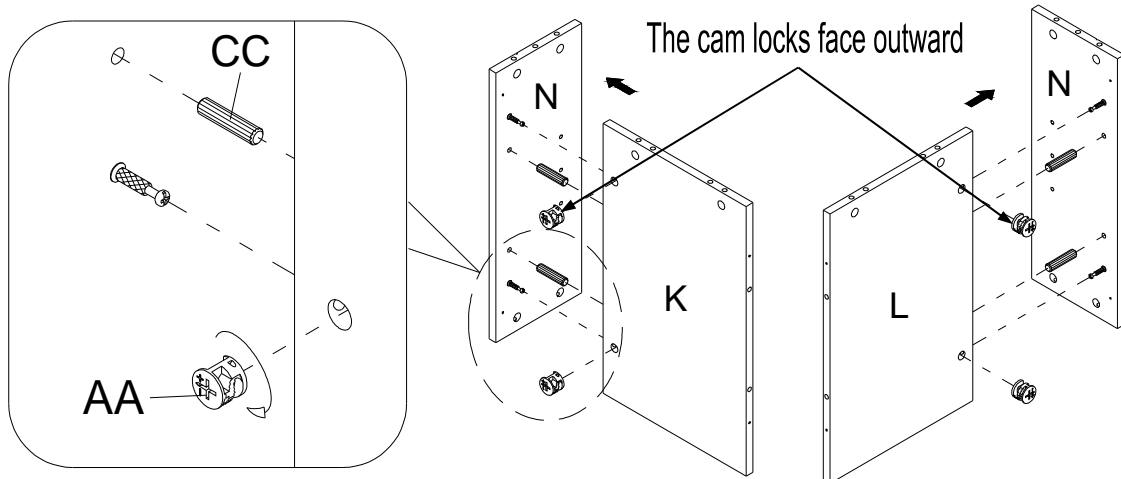
- Glue six wood dowels (CC) into the inner holes at the bottom edge of upper side panels (E and H) and front moldings (R).
- Properly position the center shelf (B) onto the inserted wood dowels (CC) and secure in place by engaging four long wood screws (DD).



Assembly (continued)

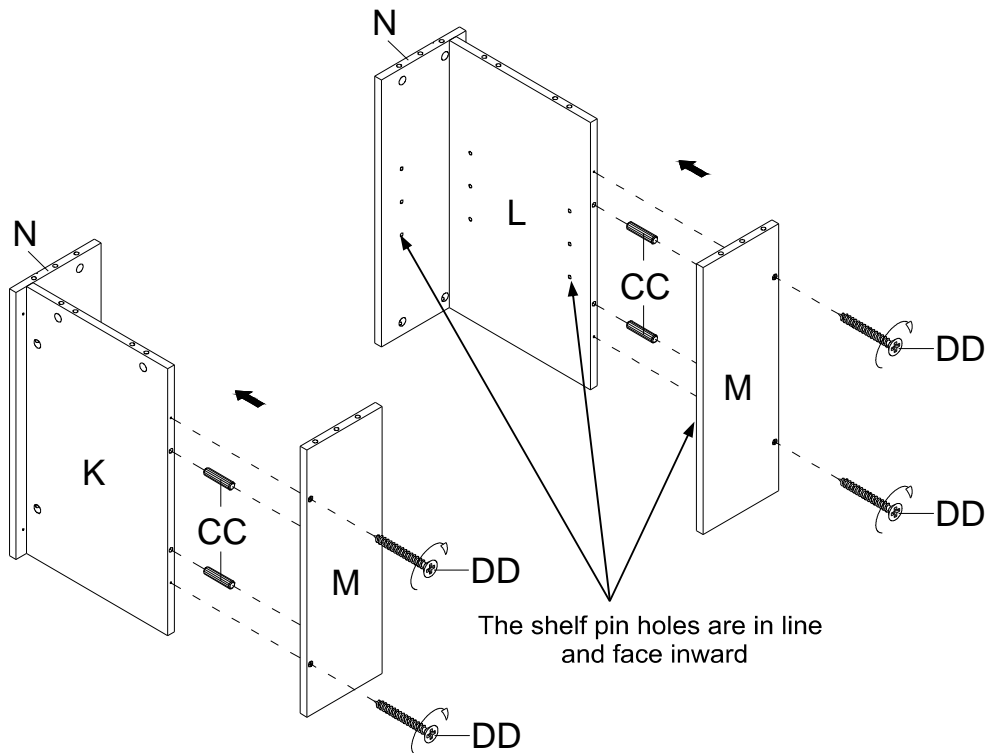
11 Combining the lower panels

- Glue two wood dowels (CC) into the inner holes of left lower side panel (K) and attach it to one lower front panel (N) by engaging two cam locks (AA) as shown.
- Repeat the same procedure to combine the right lower side panel (L) and the other lower front panel (N) together.



12 Attaching the lower back panels

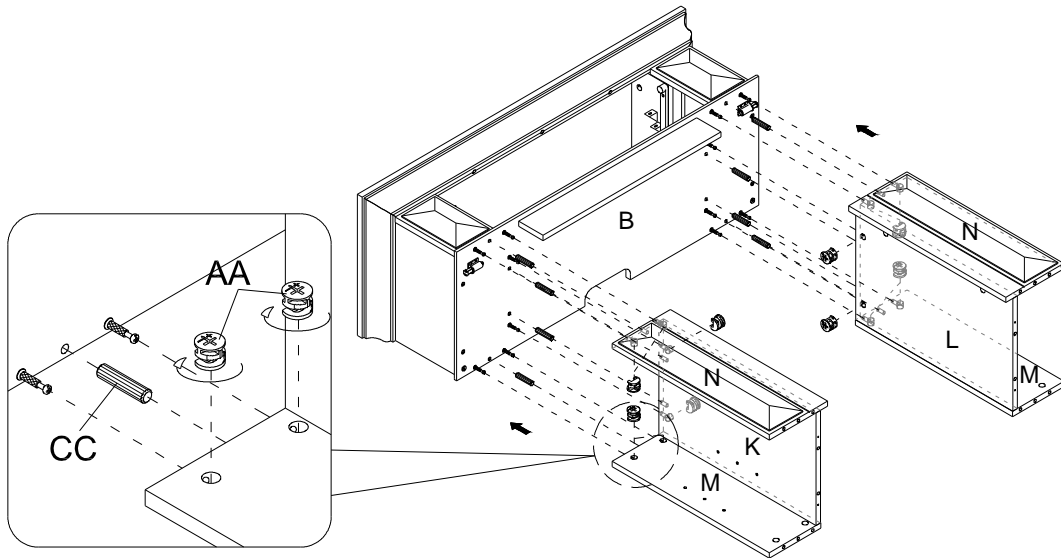
- Align and attach lower back panels (M) to the lower side panels (K and L) with two wood dowels (CC) and two long wood screws (DD) per panel.



Assembly (continued)

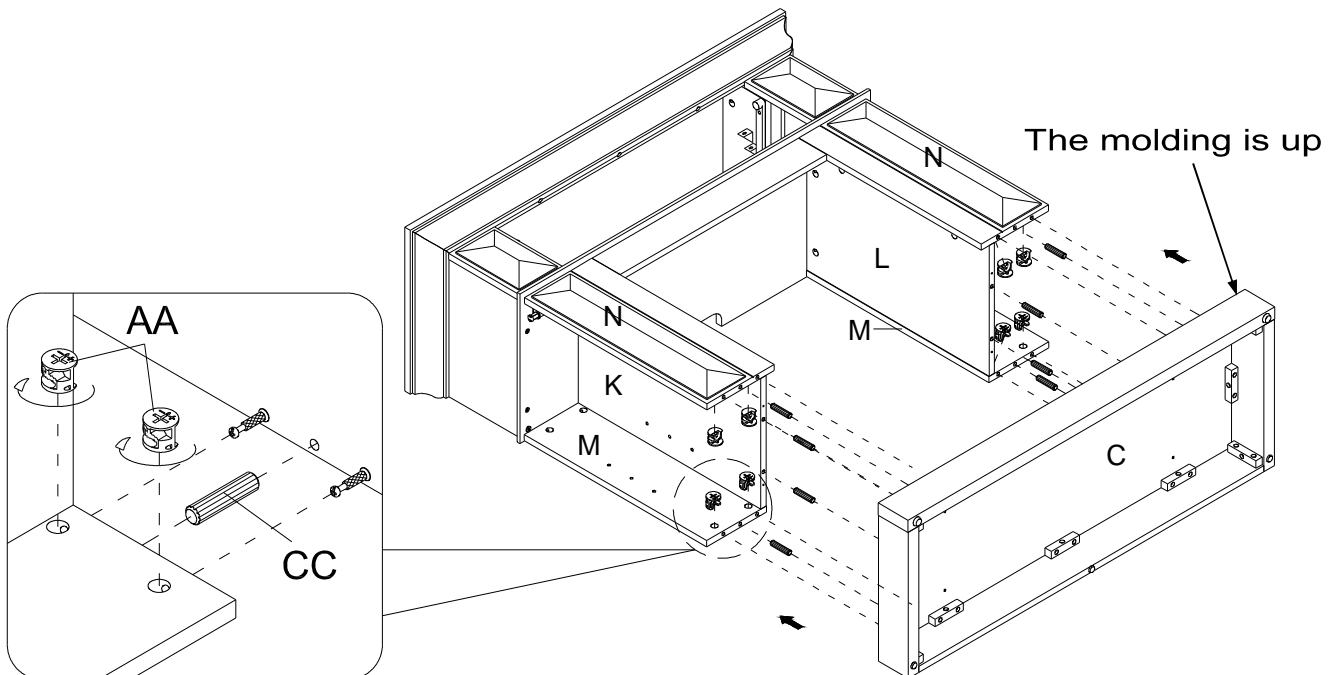
13 Installing the lower side panel assemblies

- Glue eight wood dowels (CC) into the top inner holes of both lower side panel assemblies.
- Align the large holes on center shelf (B) with the inserted wood dowels (CC) and press them together. Secure the lower side panel assemblies in place by engaging twelve cam locks (AA).



14 Installing the base

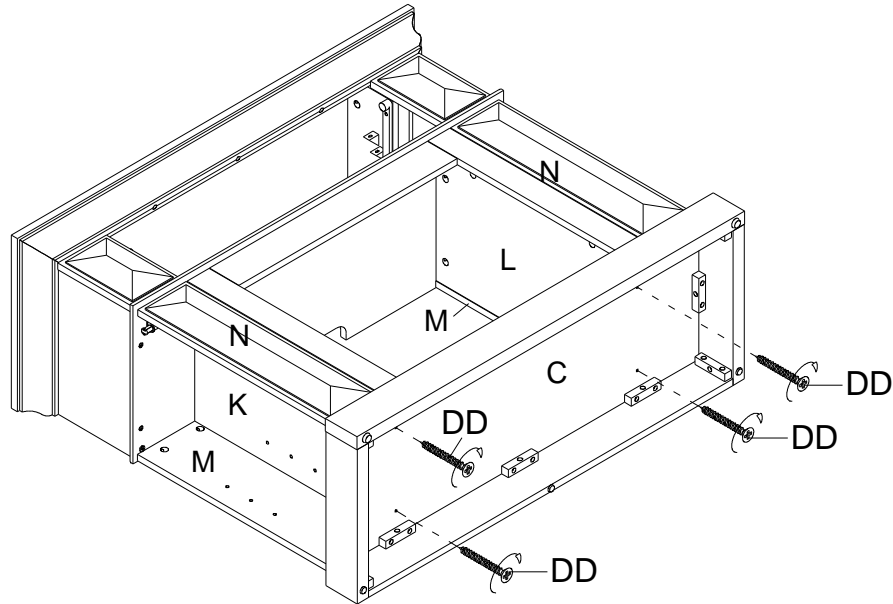
- Align and attach the base (C) to the previous assemblies with eight wood dowels (CC) and eight cam locks (AA). As shown.



Assembly (continued)

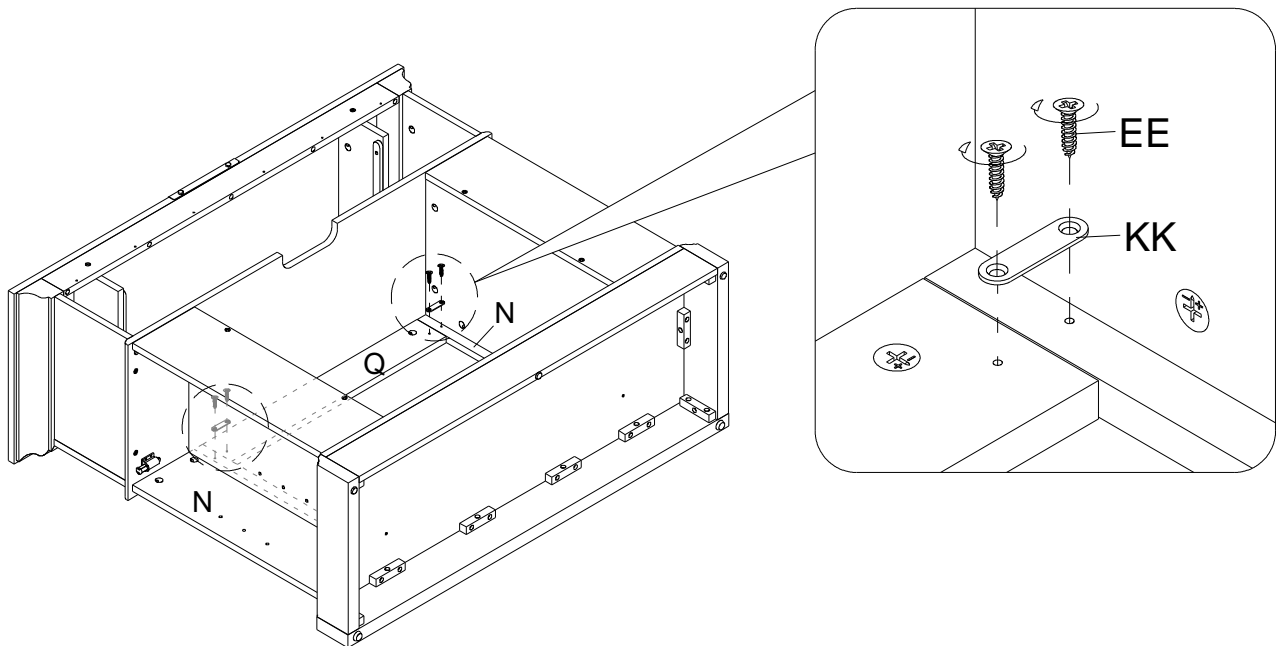
15 Securing the base

- Insert four long wood screws (DD) through the drilled holes on base (C) and securely screw into the lower side panels (K and L).



16 Installing the metal plate

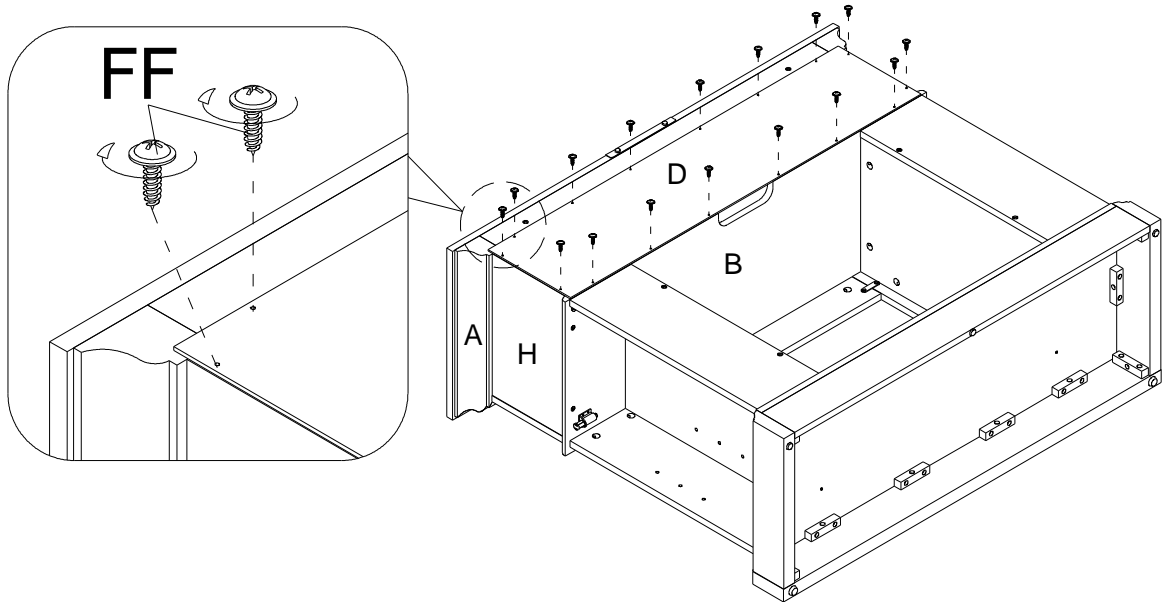
- Flip the assembled unit around at its front edges. Secure the middle crossbar (Q) to both lower front panels (N) by attaching two metal plates (KK) at the joints, using two short wood screws (EE) in each. As shown.



Assembly (continued)

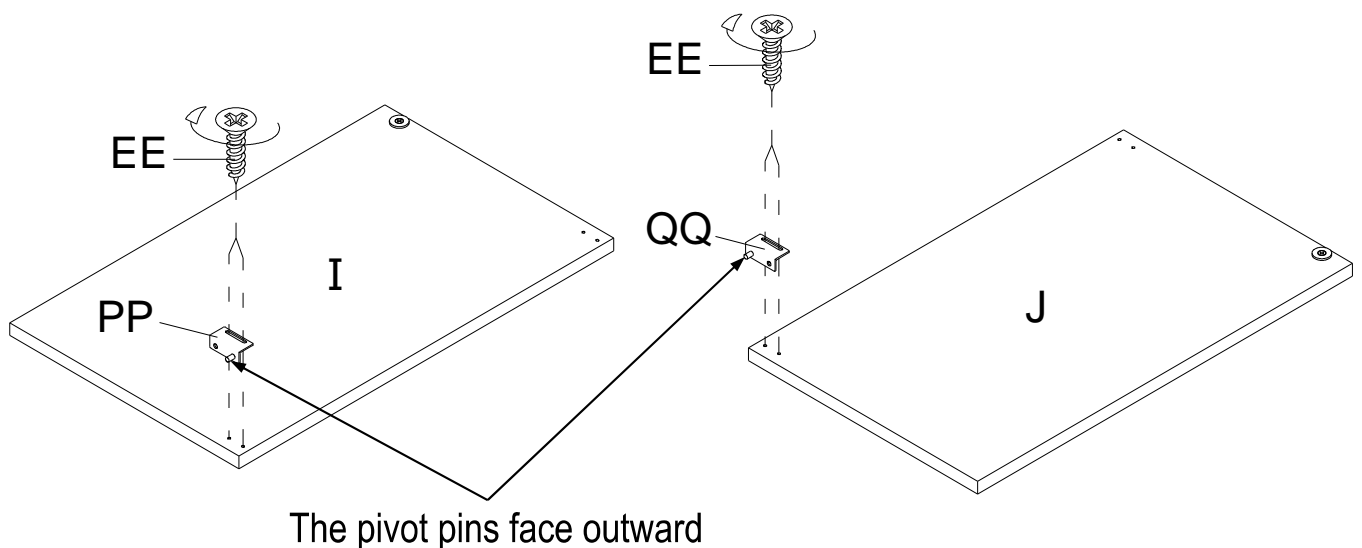
17 Attaching the back panel

- Pick up the back panel (D) and align the drilled holes against the upper long edge with the pilot holes on the back stretcher of the top panel (A). Attach the back panel (D) in place using the provided washer head screws (FF).



18 Attaching the bottom pivot hinges

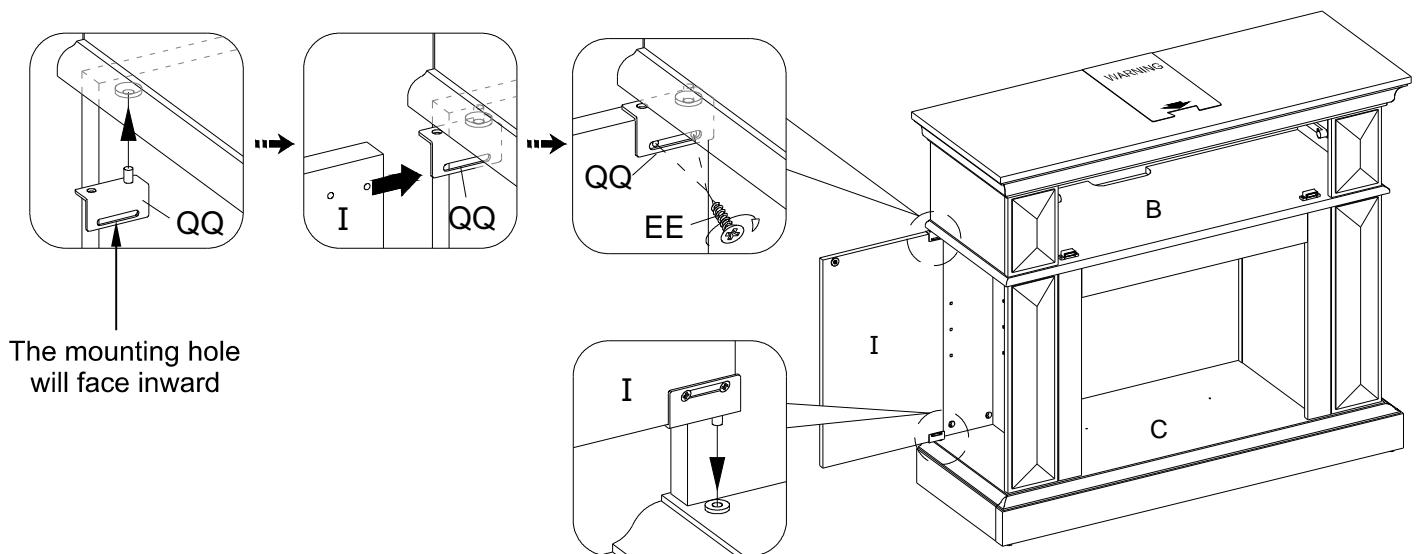
- Using the pilot holes as a guide, attach the left bottom pivot hinge (PP) to the left door (I) with two short wood screws (EE) as shown. Make sure that the pivot pin points towards the against edge.
- Repeat the same procedure to attach the right bottom pivot hinge (QQ) to the right door (J).



Assembly (continued)

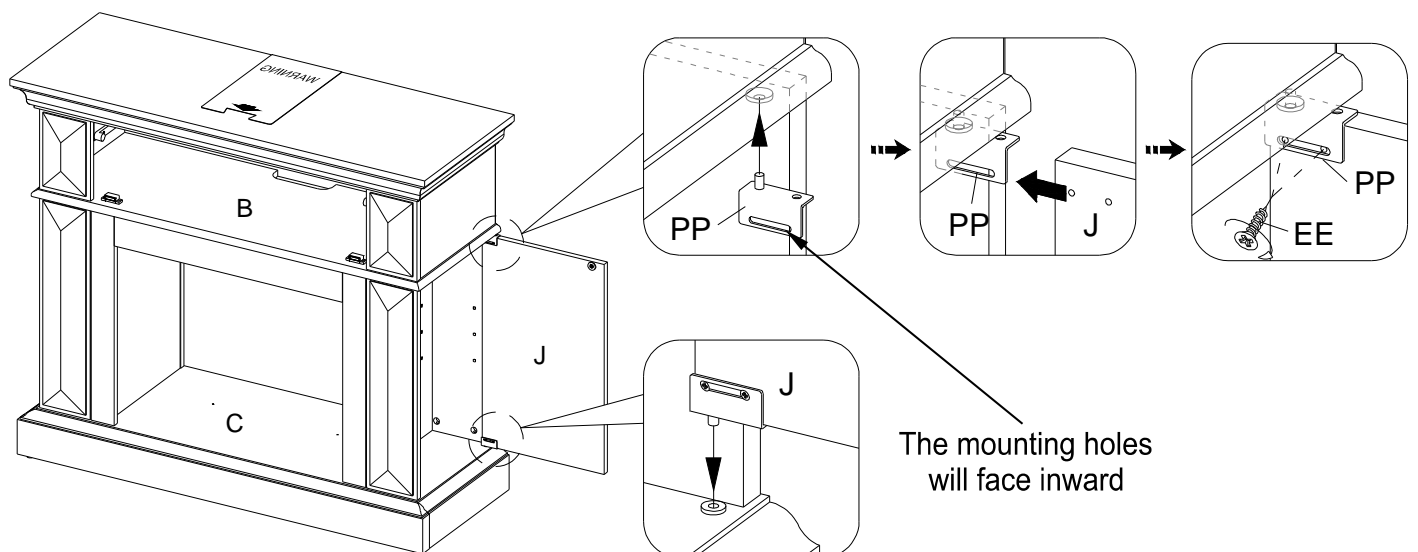
19 Installing the left door

- Stand the assembled unit upright.
- Tilt and insert the pivot pin under the left door (I) into the plastic bushing pre-attached on the base (C).
- Attach the left upper pivot hinge (QQ) to the plastic bushing pre-attached on the center shelf (B) as shown. Make sure that the pivot hinge mounting plate will face inward.
- Fit the left door (I) to the inserted pivot hinge (QQ) making sure the mounting holes overlap the pilot holes on the door panel. Secure the left upper pivot hinge (QQ) to the left door (I) with two short wood screws (EE). Open and close the door to make sure it is aligned and shut correctly. If necessary, adjust the screws for a good fit.



20 Installing the right door

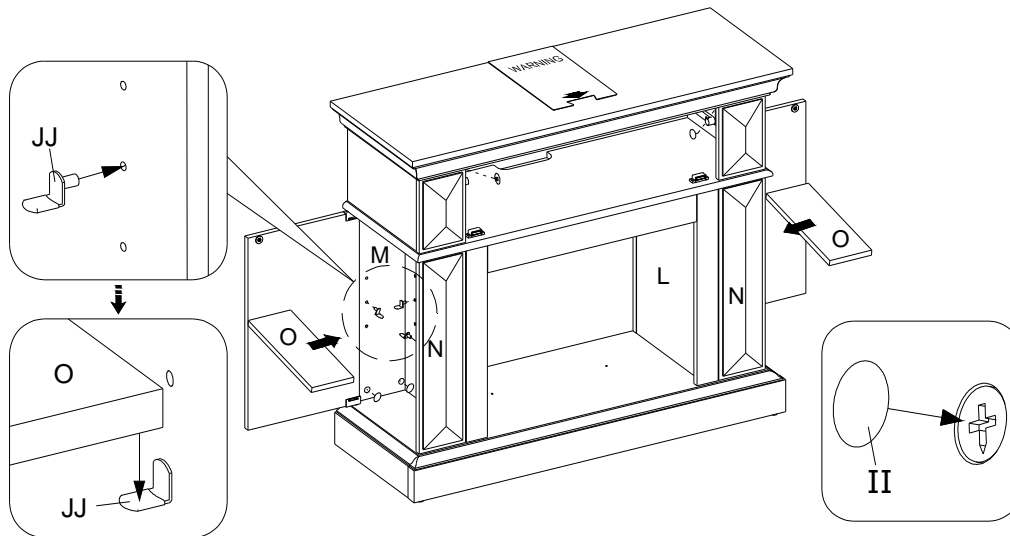
- Repeat the same procedure with the right door (J).



Assembly (continued)

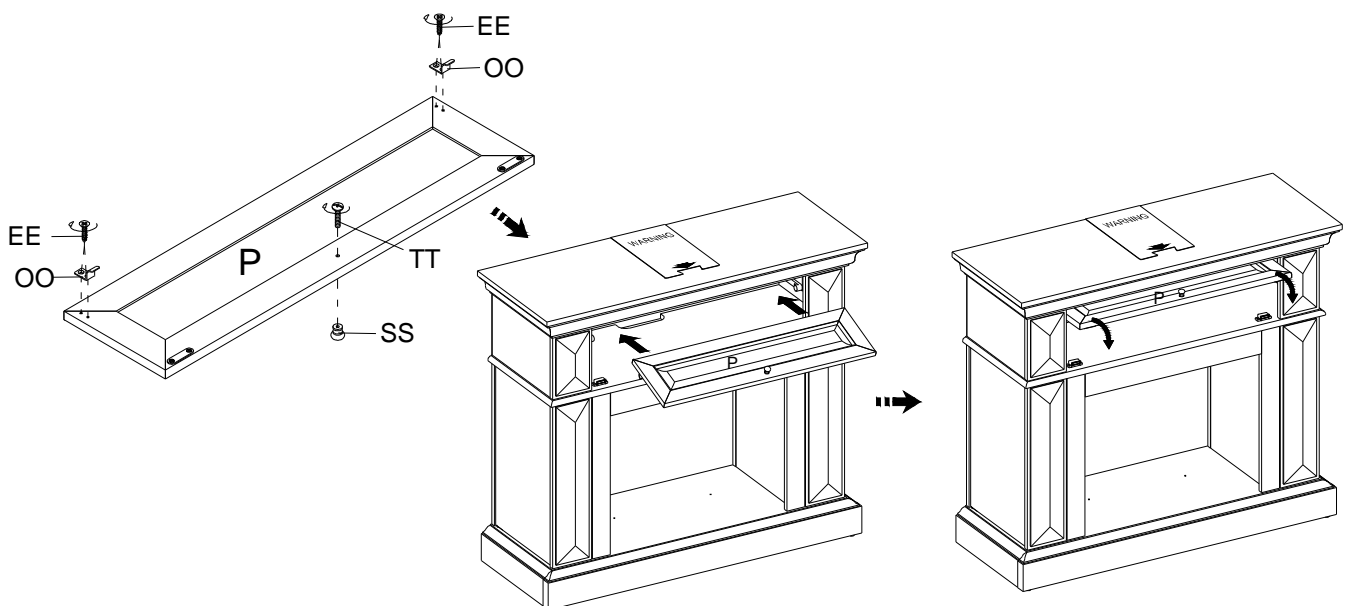
21 Installing the adjustable shelves and cam lock covers

- Open the doors (I and J) and insert four shelf supports (JJ) into the desired holes inside each side compartment. Make sure you place the four shelf supports in the same level so the shelf is not tilted. Rest the adjustable shelves (O) onto the shelf supports (JJ).
- Plug the cam lock covers (II) onto the visible cam locks to conceal the cams.



22 Installing the barrister door

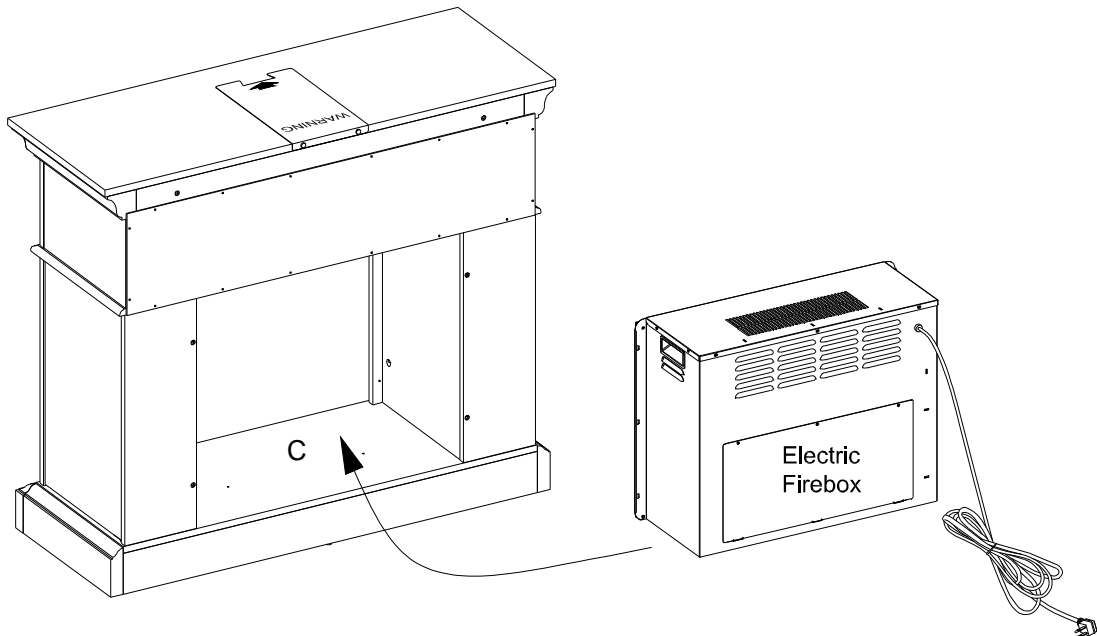
- Using the pilot holes as a guide, fasten two hooks (OO) to the upper corners of barrister door (P) with four short wood screws (EE).
- Attach one knob (SS) to the front side of barrister door (P) with the provide knob bolt (TT).
- Hook the barrister door (P) onto the pre-attached plastic slides on the barrister door supports (F and G) and tuck it underneath the top panel (A) in one smooth motion.



Assembly (continued)

23 Installing the fireplace insert

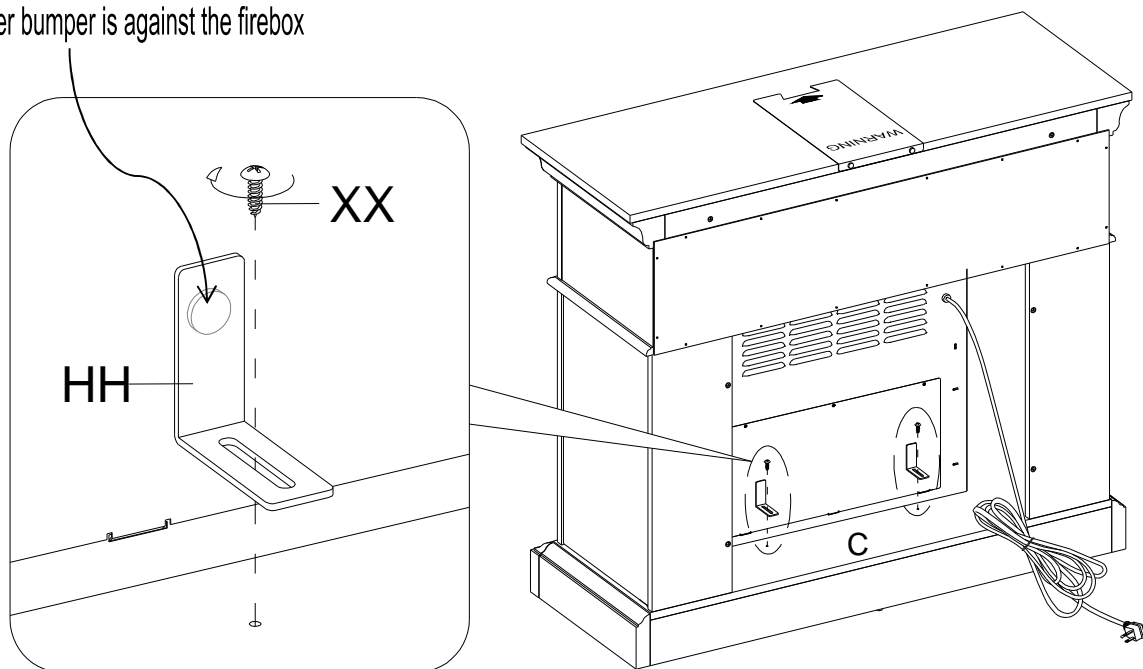
- Lift the fireplace insert carefully into the back of the assembled mantel and center it in the opening. **DO NOT** drag the insert across the bottom panel (C) as it may scratch the unit.



24 Attaching the L-shaped metal braces

- Using the pilot holes as a guide, align and attach two L-shaped metal braces (HH) to the base (C) by screwing one short pan head screw (XX) in each.

The rubber bumper is against the firebox



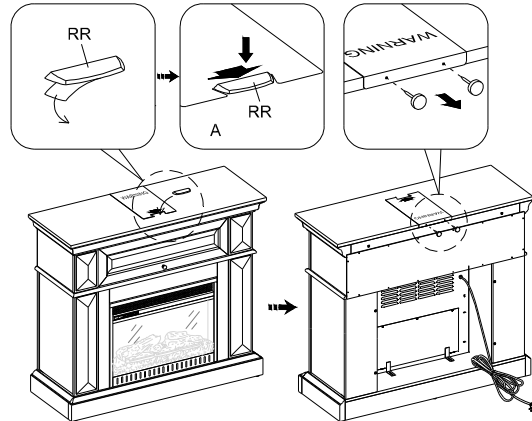
Assembly (continued)

25 Installing the acrylic stopper

- Remove the paper backing of acrylic stopper (RR), then properly align the acrylic stopper into the cut-out on the acrylic stopper template on the front of the top panel (A). Press down on the acrylic stopper to help adhesion.
- At the back of the top panel (A), carefully pull out the thumb tacks to remove the acrylic stopper template.



NOTE: You must install the acrylic TV stopper to prevent TV from tipping when placing your flat panel television on the top panel.

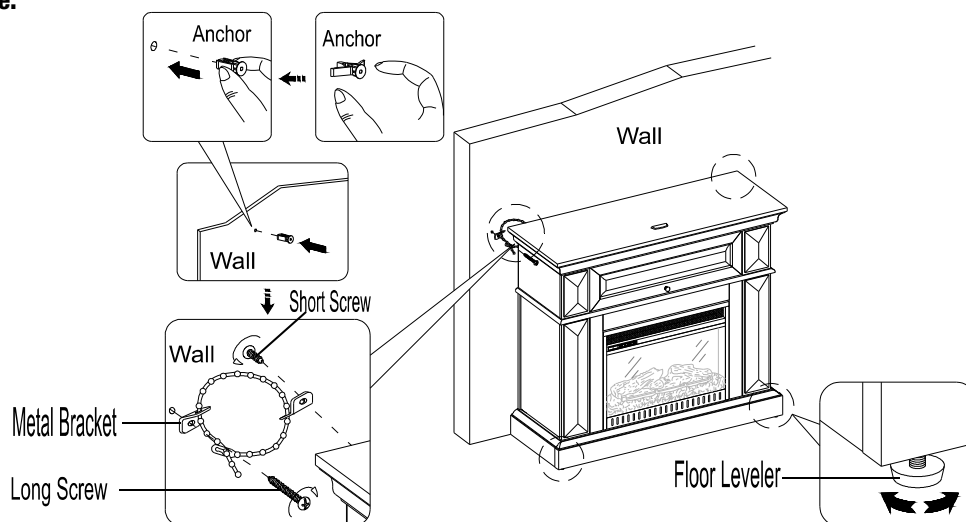


26 Installing the tipping restraint hardware



NOTE: Young children can be seriously injured by tipping furniture. You must install the tipping restraint hardware with the unit to prevent the unit from tipping, causing any accidents or damage. The tipping restraints are intended only as a deterrent, they are not a substitute for proper adult supervision. The tipping restraints are not earthquake restraints. If you wish to add the extra security of earthquake restraints, they must be purchased and installed separately.

- With assistance, position the assembled fireplace at the desired location against a wall. In case of uneven floor, floor levelers are provided at the bottom of the mantel. If necessary, adjust the floor levelers by hand to correct tilting, until the unit is level.
- Follow the instructions printed on the plastic bag containing the tipping hardware to attach the tip-over restraint to the unit and the wall.
- Connect the fireplace to the power transformer. Follow the operating manual for the electric fireplace insert to control your fireplace.



Care and Maintenance

A Touch-up Pen has been provided to repair any small nicks or scratches that may occur during assembly or shipping.

To clean and care for your furniture:

- Use a soft, clean cloth that will not scratch the surface when dusting.
- Use of furniture polishes is not necessary. Should you choose to use polishes, test first in an inconspicuous area.
- Using solvents of any kind on your furniture may damage the finish.
- Never use water to clean your furniture as it may cause damage to the finish.
- Always use coasters under beverage glasses and flowerpots.
- Liquid spills should be removed immediately. Using a soft clean cloth, blot the spill gently. Avoid rubbing.
- Always use protective pads under hot dishes and plates. Heat can cause chemical changes that may create spotting within the furniture finish.
- Stains or marks from crayons or ink markers will be difficult to remove.
- In the event that your furniture is stained or otherwise damaged during use, we recommend that you call a professional to repair your furniture.
- Check bolts/screws periodically and tighten them if necessary.

CARING FOR WOOD FURNITURE

It is best to keep your furniture in a climate-controlled environment. Extreme temperature and humidity changes can cause fading, warping, shrinking and splitting of wood. It is advised to keep furniture away from direct sunlight as sun may damage the finish.

Proper care and cleaning at home will extend the life of your purchase. Following these important and helpful tips will enhance your furniture as it ages.

CLEANING THE FIREPLACE TRIM

Clean the metal trim using a soft cloth, slightly dampened with citrus oil based product and buff with a clean soft cloth. **DO NOT** use brass polish or household cleaners as these products will damage the metal trim. Citrus oil based products can be obtained at supermarkets or hardware stores.

HOME DECORATORS COLLECTION

**Questions, problems, missing parts? Before returning to the store,
call Home Decorators Collection Customer Service
8 a.m. - 6 p.m., EST, Monday-Friday**

1-800-986-3460

[HOMEDEPOT.COM/HOMEDECORATORS](https://www.homedepot.com/homedecorators)

Retain this manual for future use.